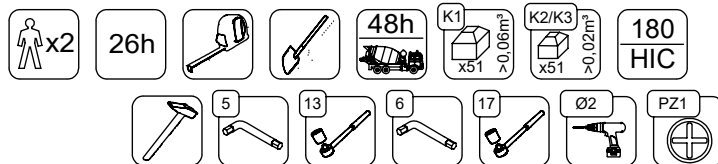
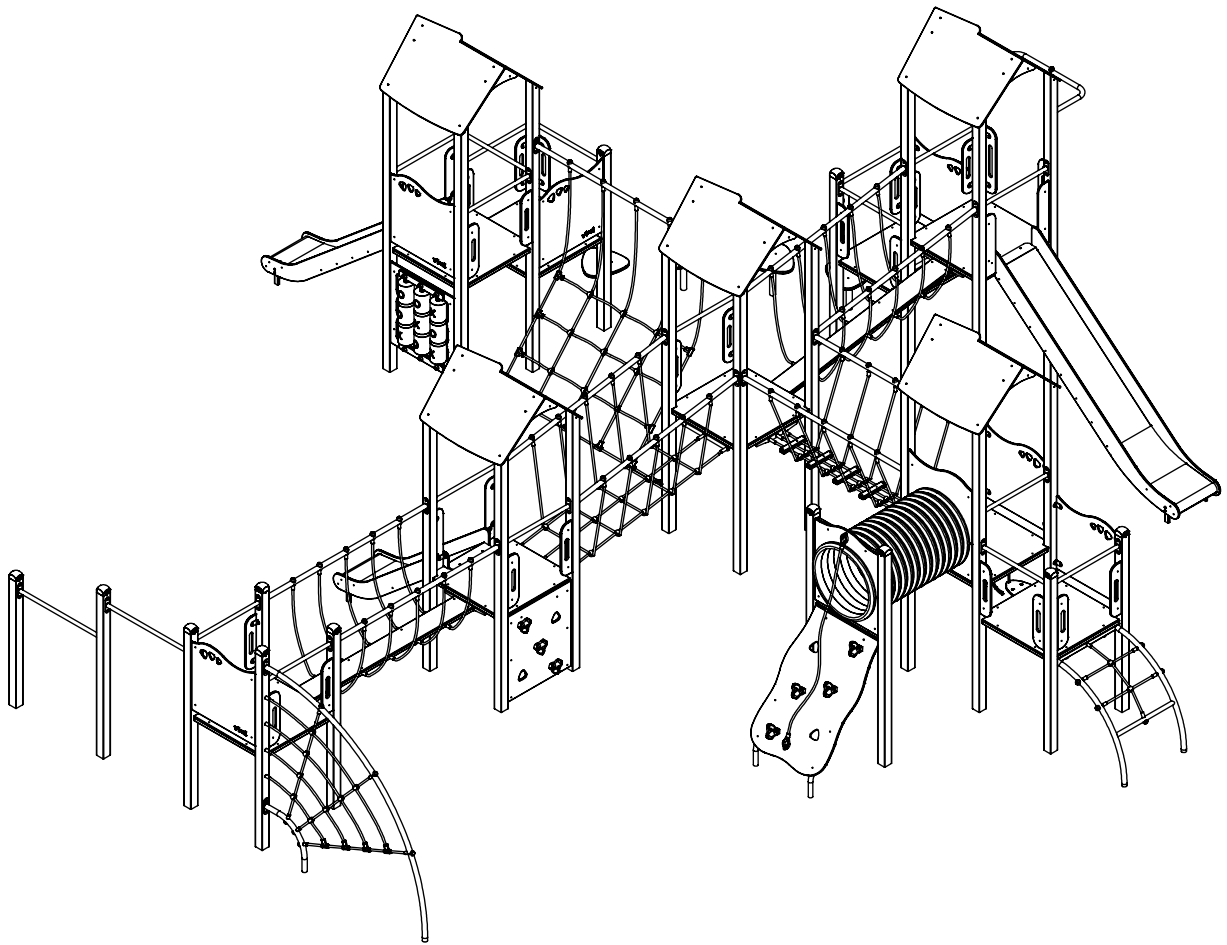
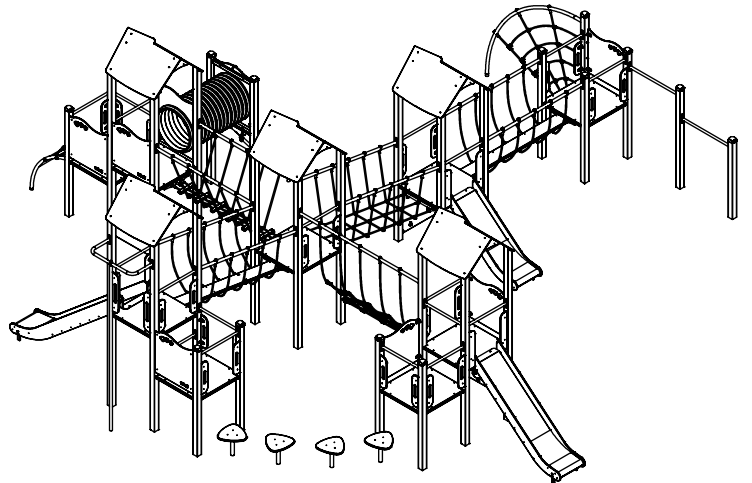
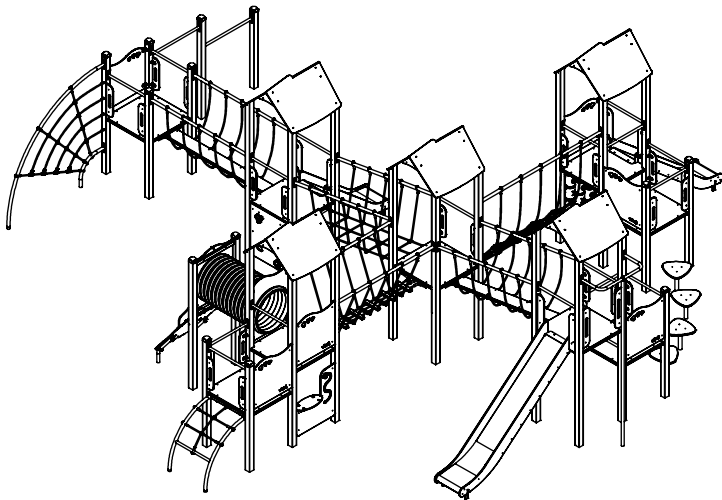
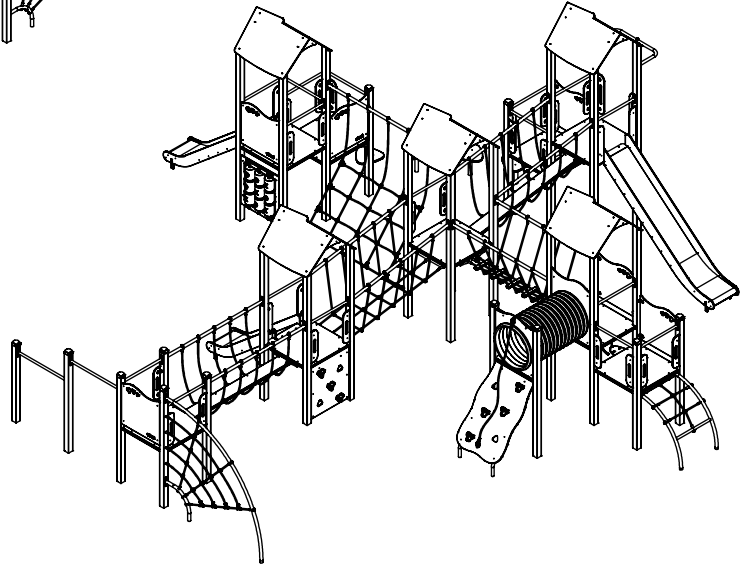
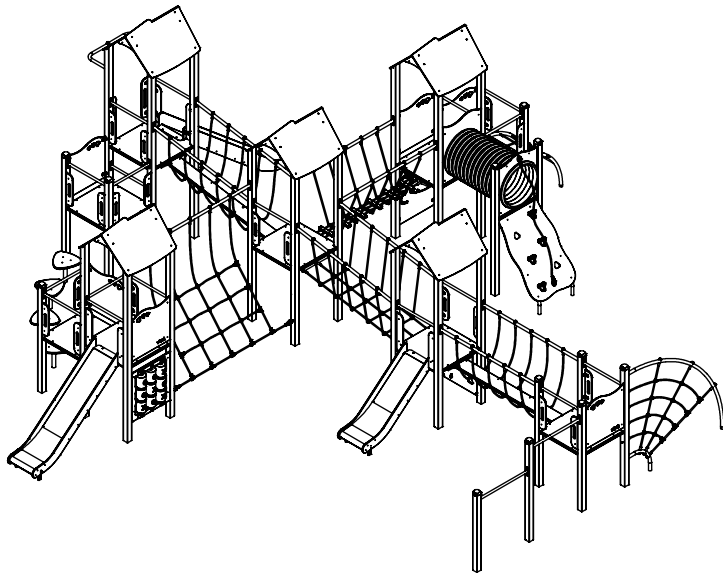


# 0210-1



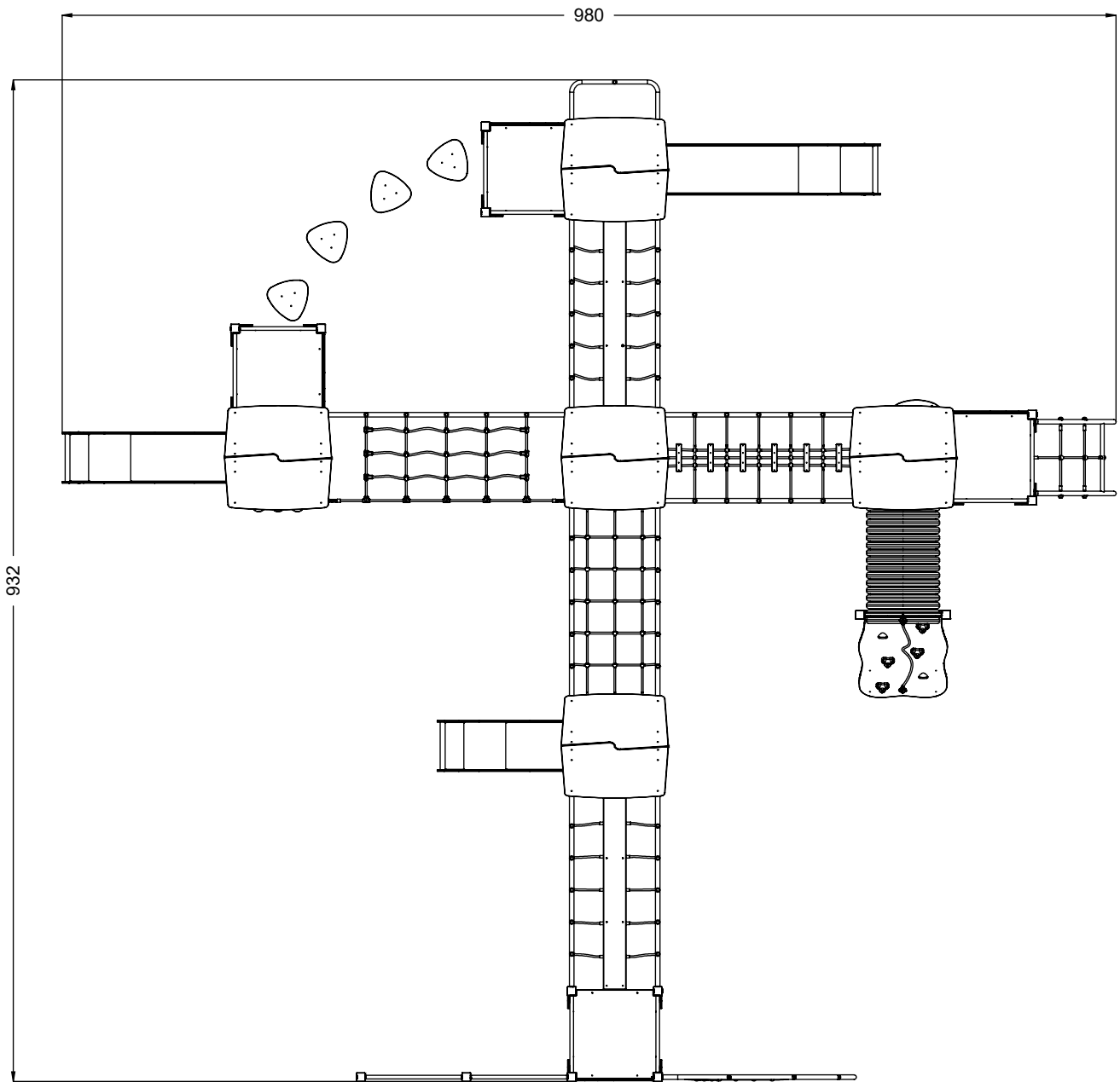
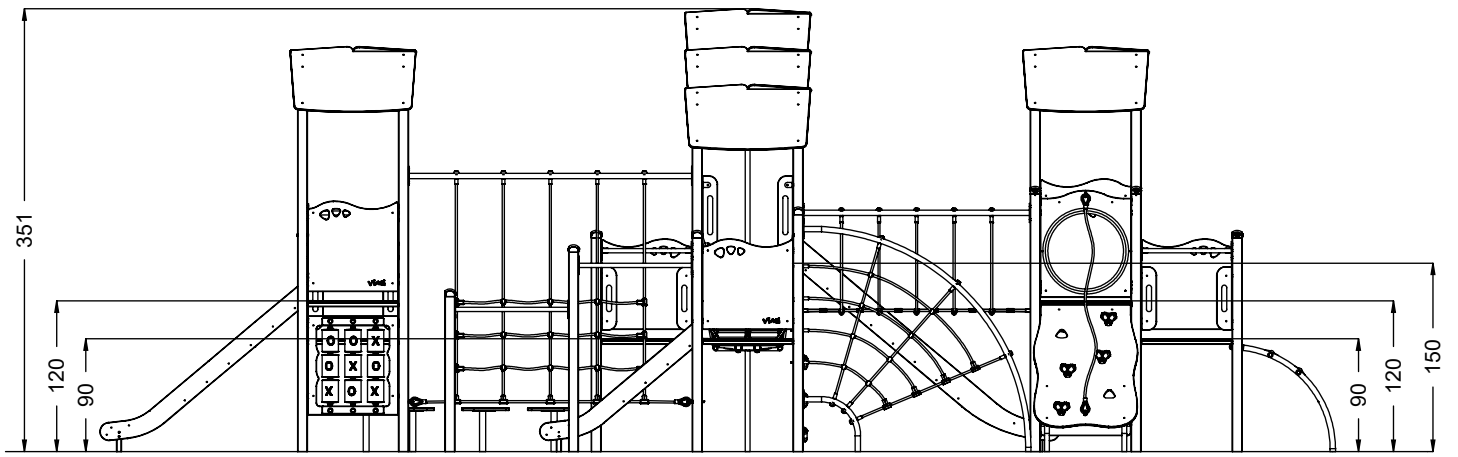
v014  
17.05.2021  
A. P.  
[cm]

vinci  
play



[cm]

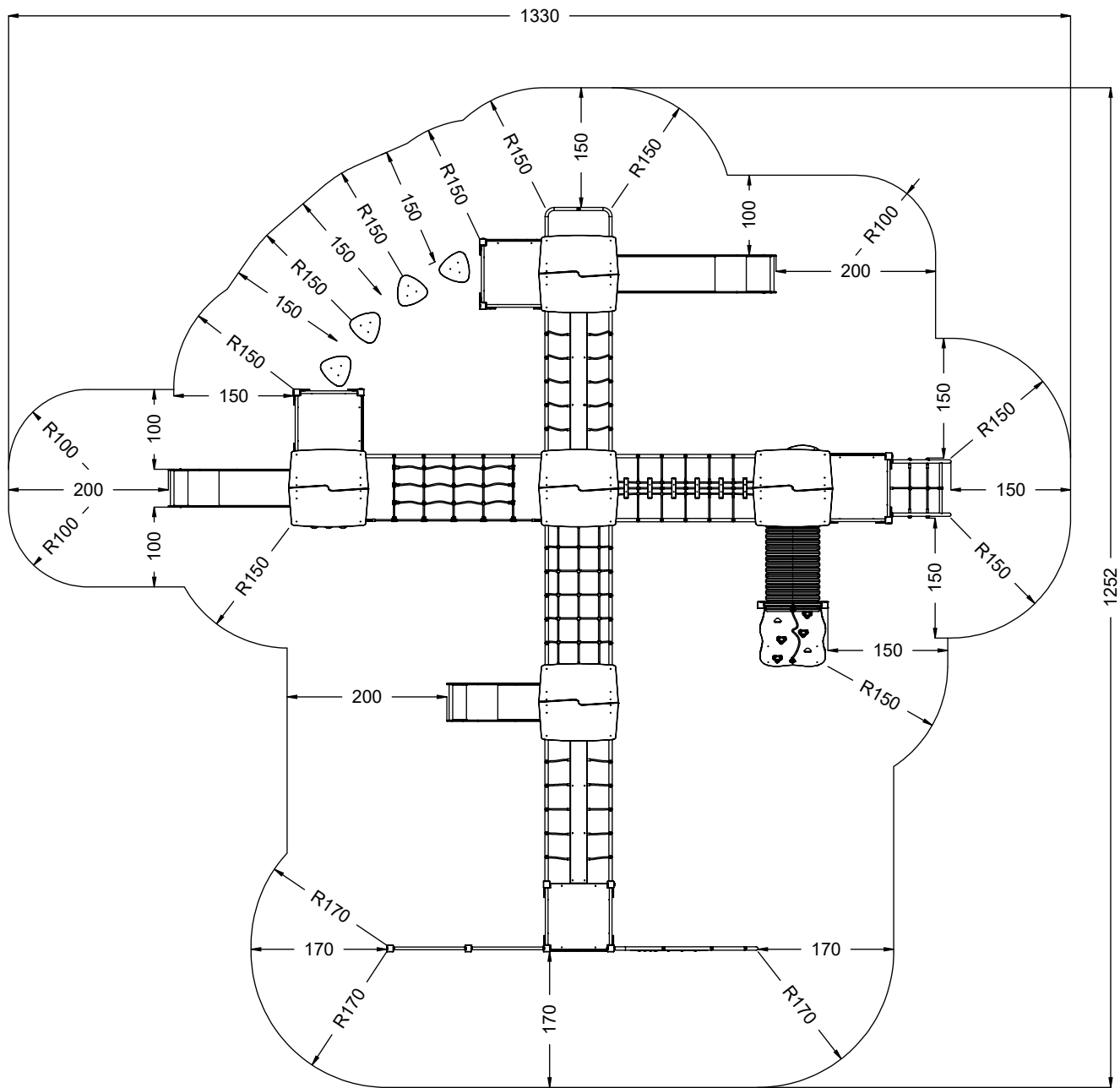
vinci  
play



[cm]



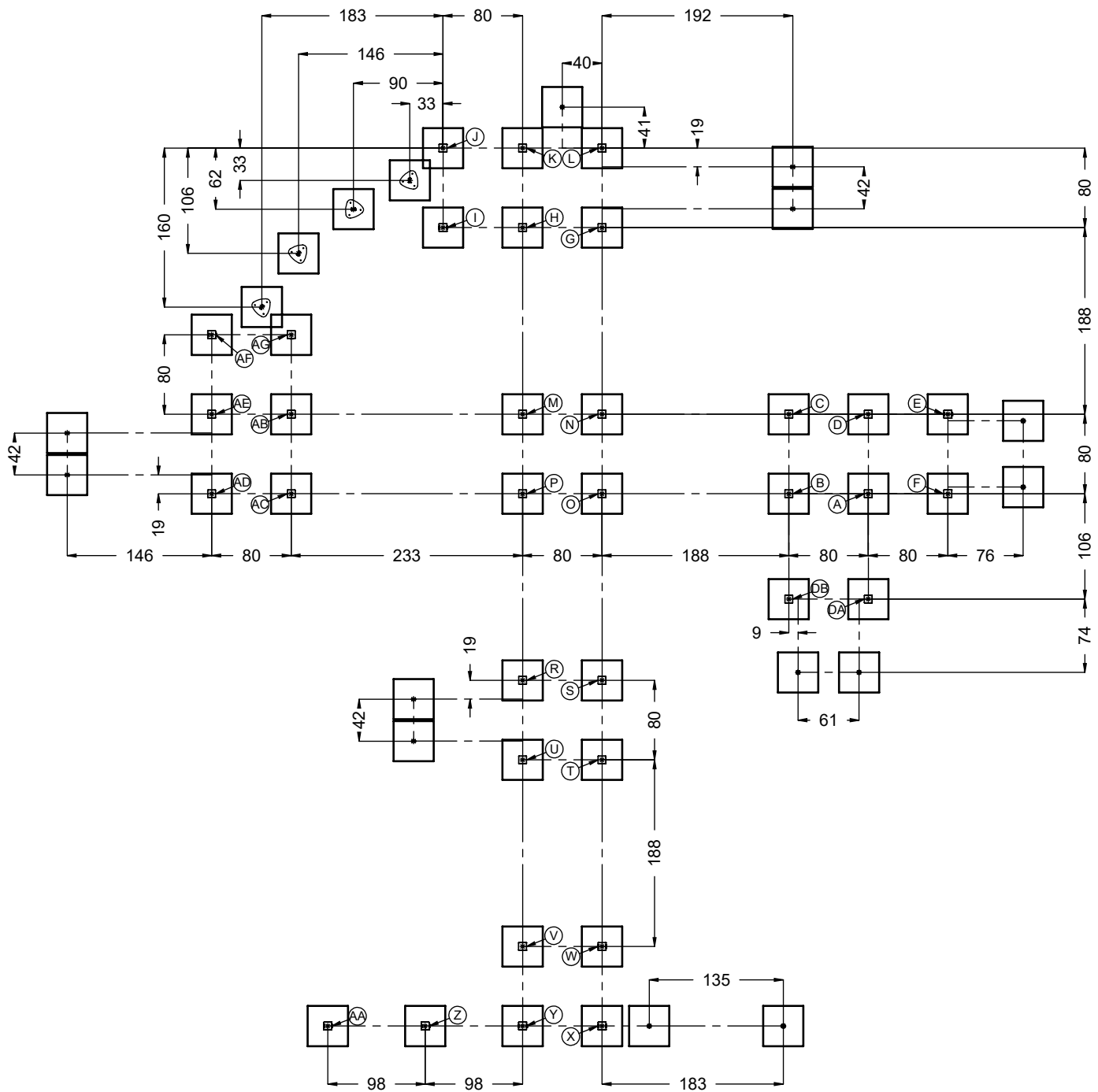
vinci  
play



[cm]



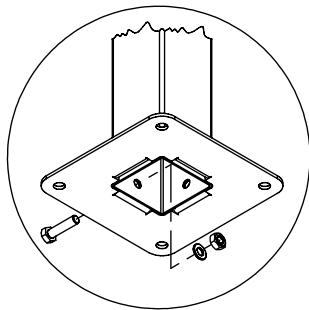
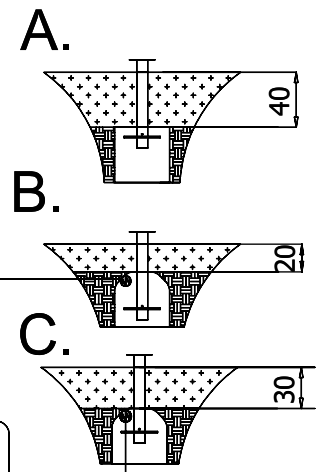
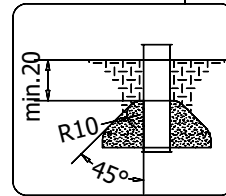
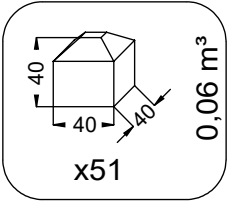
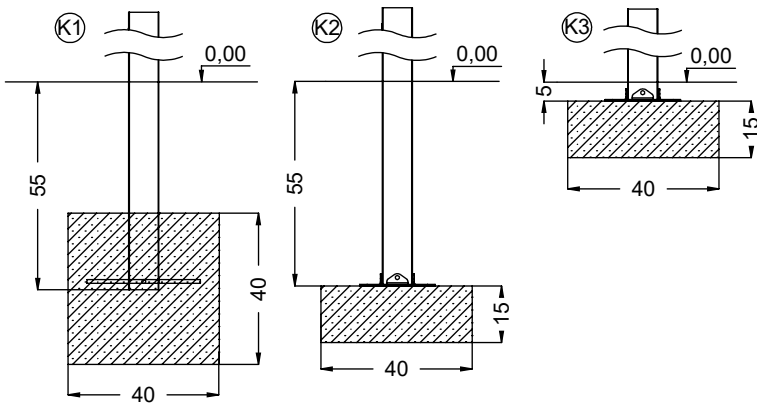
vinci  
play



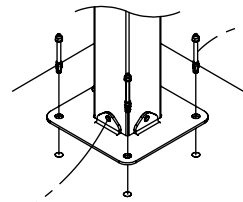
[cm]



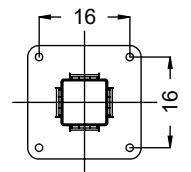
vinci  
play



E37



78x M10x120 (K2)	12x M8x120 (K2)
82x M10x120 (K3)	8x M8x120 (K3)
<b>NOT INCLUDED</b>	<b>NOT INCLUDED</b>



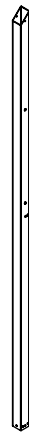
[cm]

x2   
 26h   
   
   
 48h   
 K1 x51 >0.06m³   
 K2/K3 x51 >0.02m³

vinci play



210A  
x1



210B  
x1



210C  
x1



210D  
x1



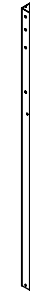
210E  
x1



210F  
x1



210I  
x1



210J  
x1



210H  
x1



210G  
x1



210K  
x1



210L  
x1



210M  
x1



210N  
x1



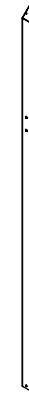
210O  
x1



210P  
x1



210R  
x1



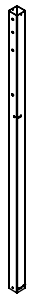
210S  
x1



210T  
x1



210U  
x1



210V  
x1



210W  
x1



210X  
x1



210Y  
x1



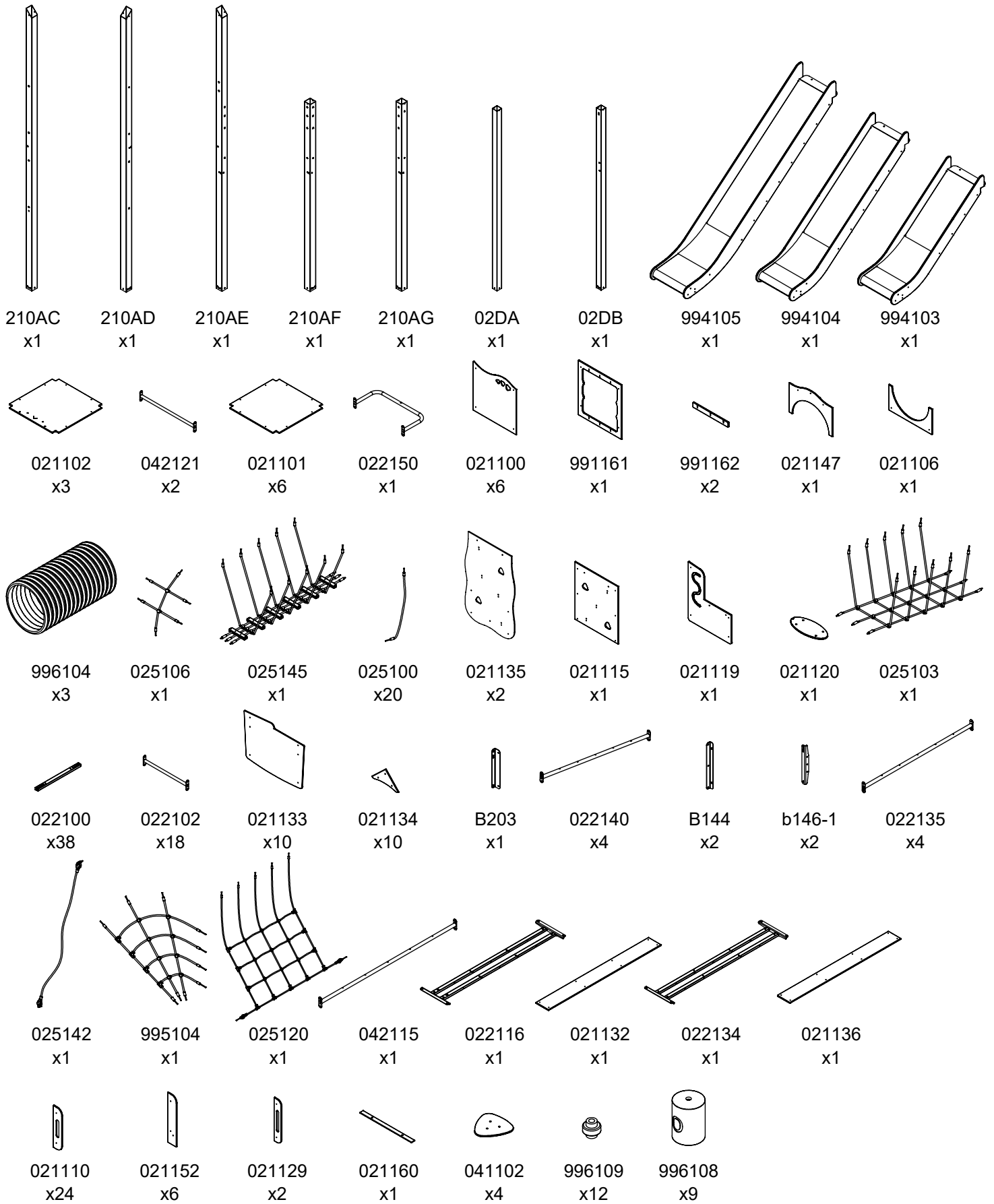
210Z  
x1



210AA  
x1



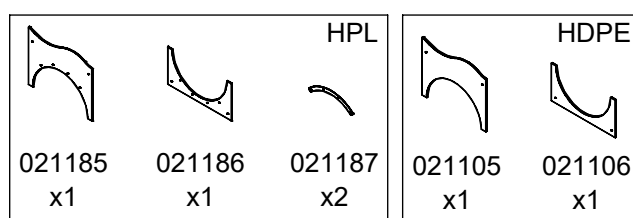
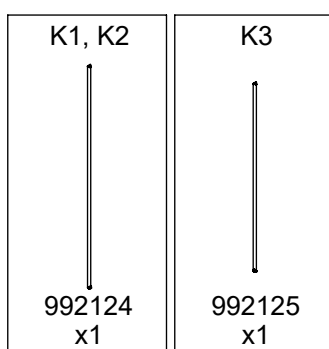
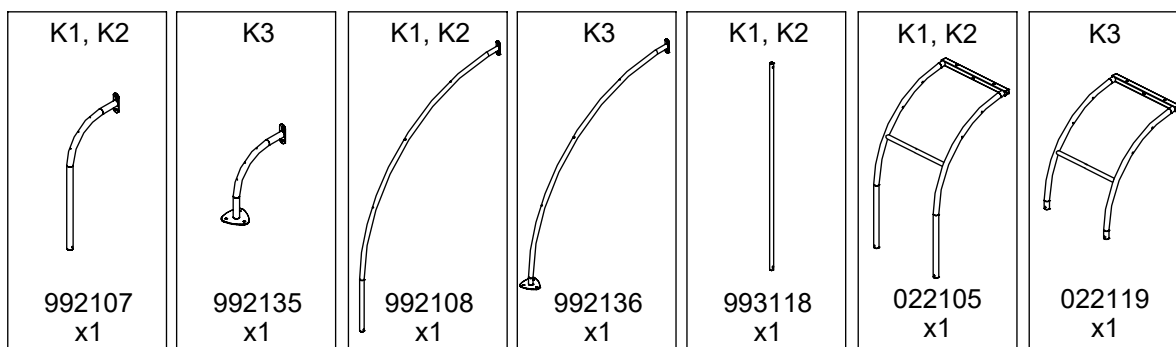
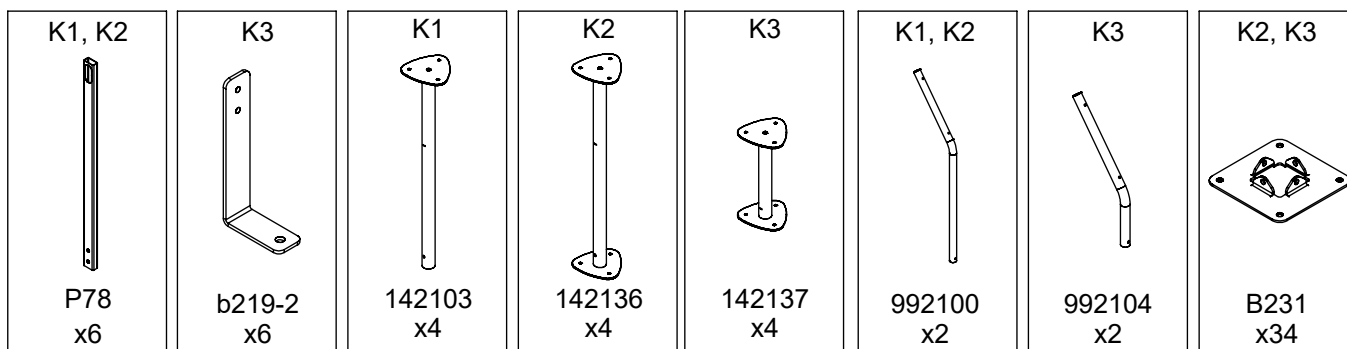
210AB  
x1



[cm]

vinci  
play

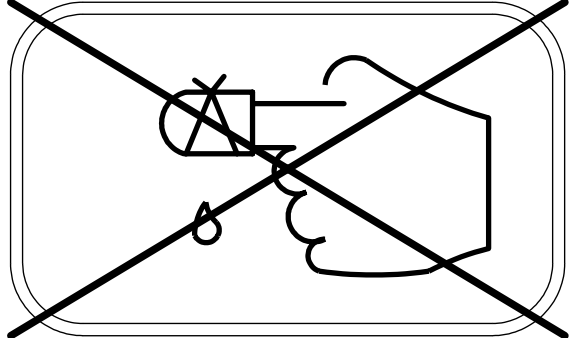
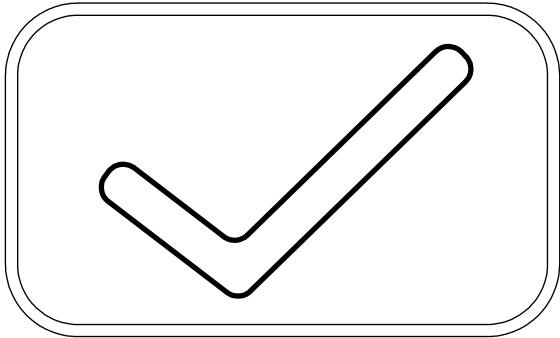
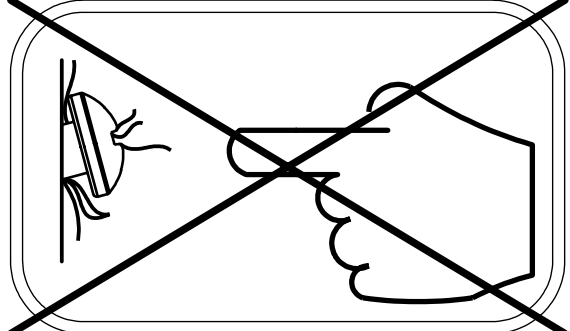
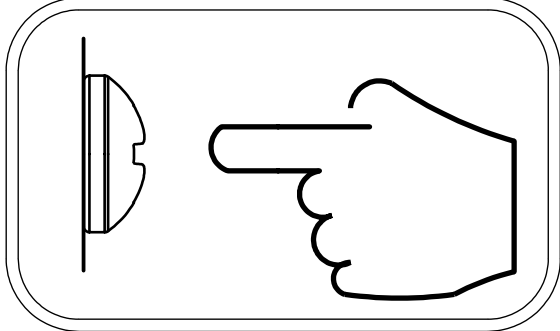
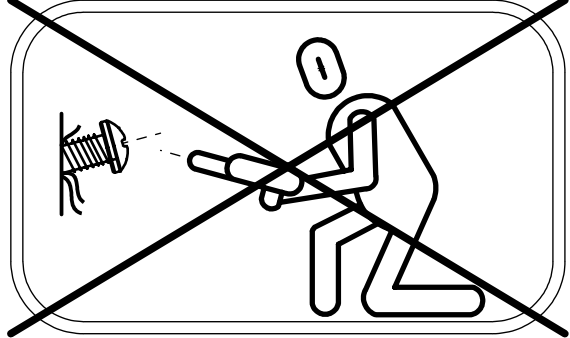
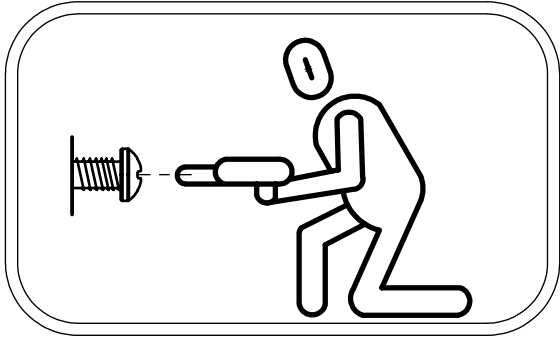


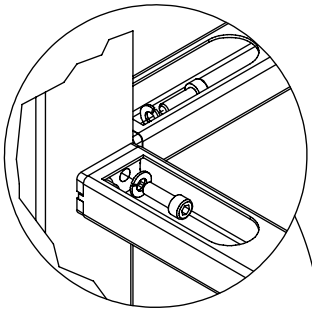


ST/INOX		PLYWOOD / HDPE		HPL	
3 x	E34 (K1, K3)	3 x	E8 (S1)	3 x	E9 (S1)
1 x	E40 (K1)	3 x	E152 (S6)	3 x	E153 (S6)
3 x	E35 (K2)	9 x	CE1	9 x	CL1
	E37 (K2, K3)	1 x	PS1	1 x	PH1
1 x	E38 (K2, K3)	5 x	CE2	5 x	CL2
2 x	E88 (K2, K3)	1 x	PS2	1 x	PH2
1 x	E175 (K2)	4 x	PS3	4 x	PH3
1 x	V001	16 x	CE4	16 x	CL4
31 x	E1	1 x	E4	2 x	PH4
9 x	E3	2 x	PS4	1 x	E5
4 x	E28	1 x	CE6	1 x	CL6
1 x	E39	1x	CE19	1x	CL19
1 x	E42	1 x	PS91	1 x	PH91
1 x	E48	2x	PS22	2x	PH22
1 x	E50	1 x	PS24	1 x	PH24
2 x	E51	3 x	CE31	3 x	CL31
1 x	E85	4 x	PS31	4 x	PH31
1 x	E54	1 x	CE40	1 x	CL40
1 x	E89	4 x	PS50	4 x	PH50
1x	E238	1 x	PS55	1 x	PH55
		5 x	CE111	5 x	CL111
				1 x	E130

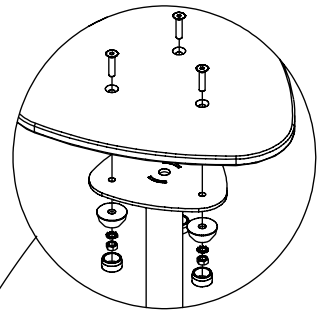
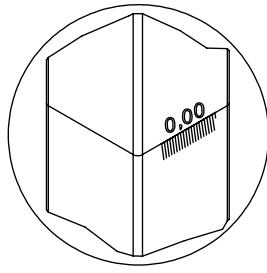
[cm]

vinci  
play

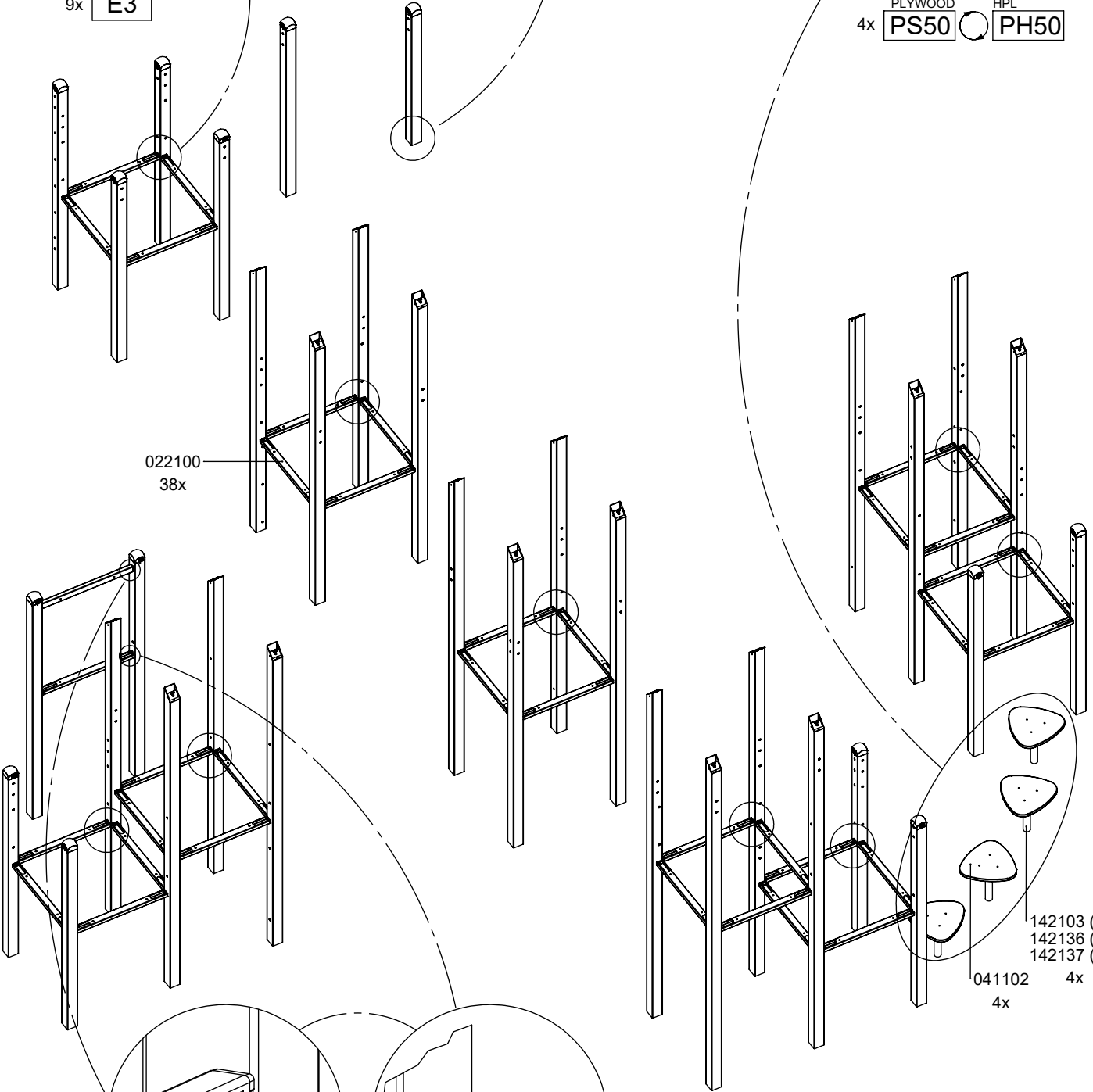




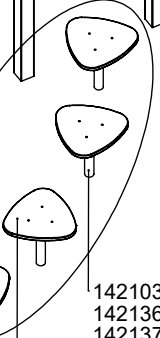
9x **E3**



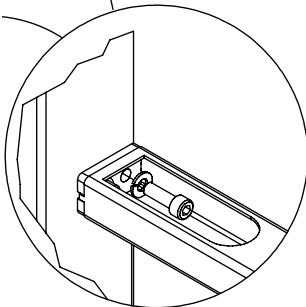
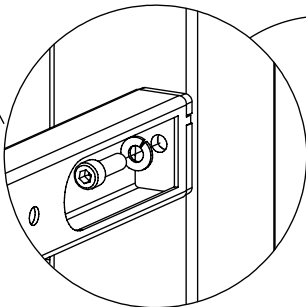
PLYWOOD HPL  
4x **PS50** **PH50**



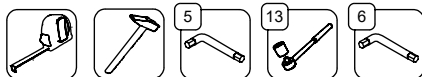
022100  
38x



142103 (K1)  
142136 (K2)  
142137 (K3)  
041102 4x  
4x

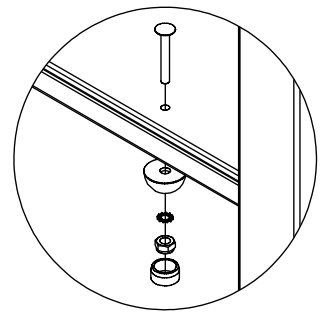
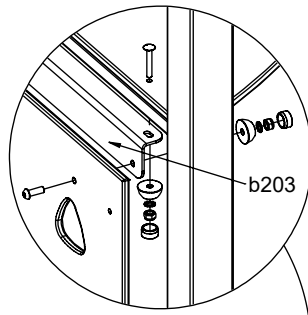


1x **E42**



[cm]

vinci  
play



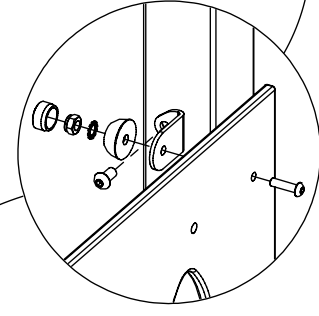
PLYWOOD HPL  
1x PS24 PH24

PLYWOOD HPL  
PS2 PH2

PLYWOOD HPL  
PS3 PH3

PLYWOOD HPL  
PS4 PH4

PLYWOOD HPL  
PS1 PH1



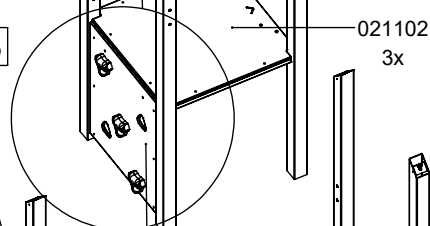
PLYWOOD HPL  
1x PS3 PH3

PLYWOOD HPL  
1x PS1 PH1

PLYWOOD HPL  
2x PS4 PH4

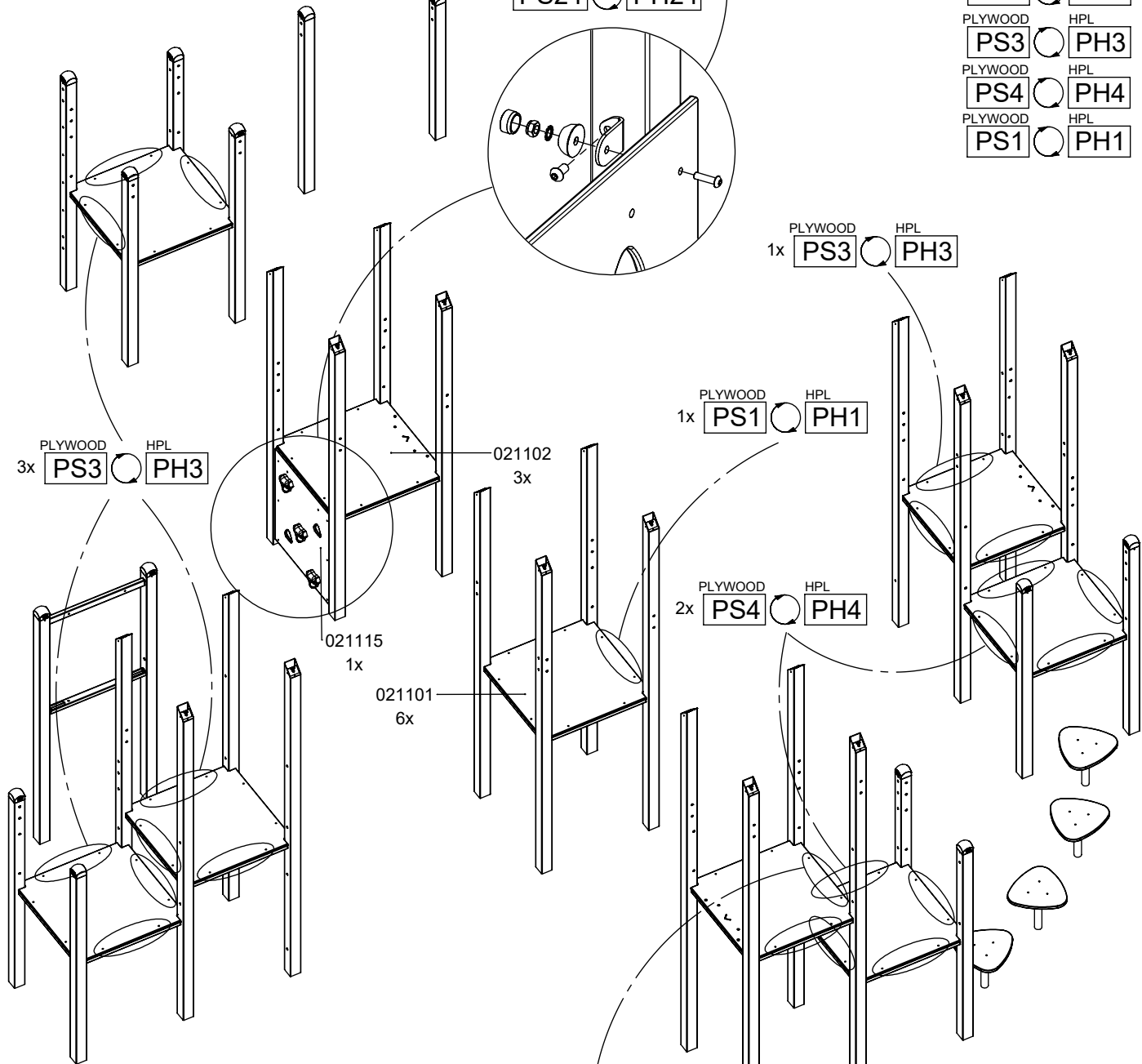
PLYWOOD HPL  
3x PS3 PH3

PLYWOOD HPL  
1x PS2 PH2

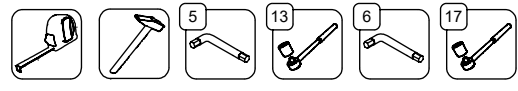


021115  
1x

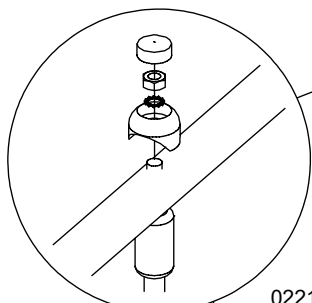
021101  
6x



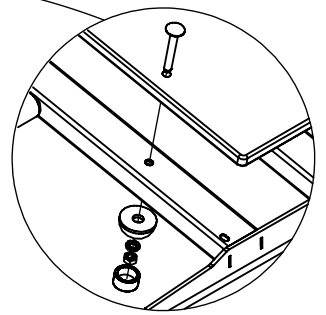
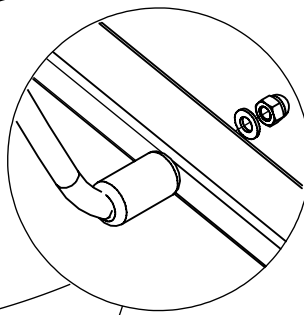
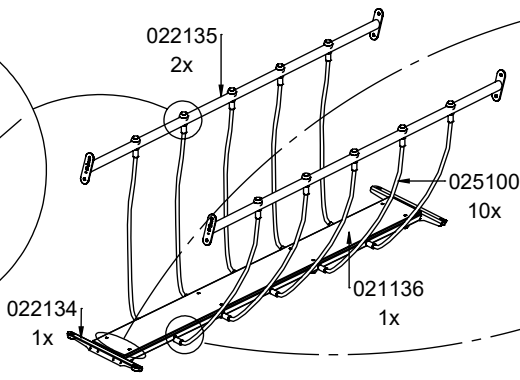
vinci  
play



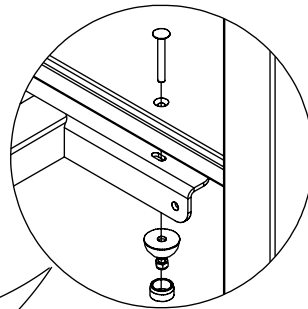
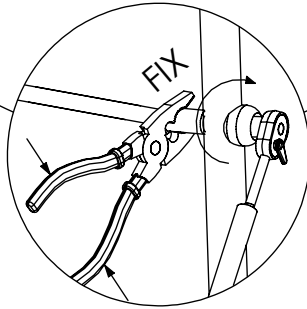
[cm]



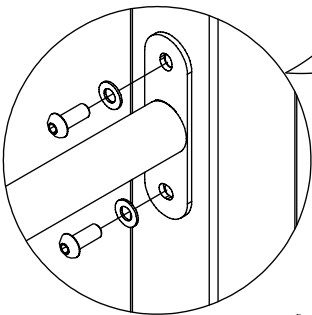
1x **E28**



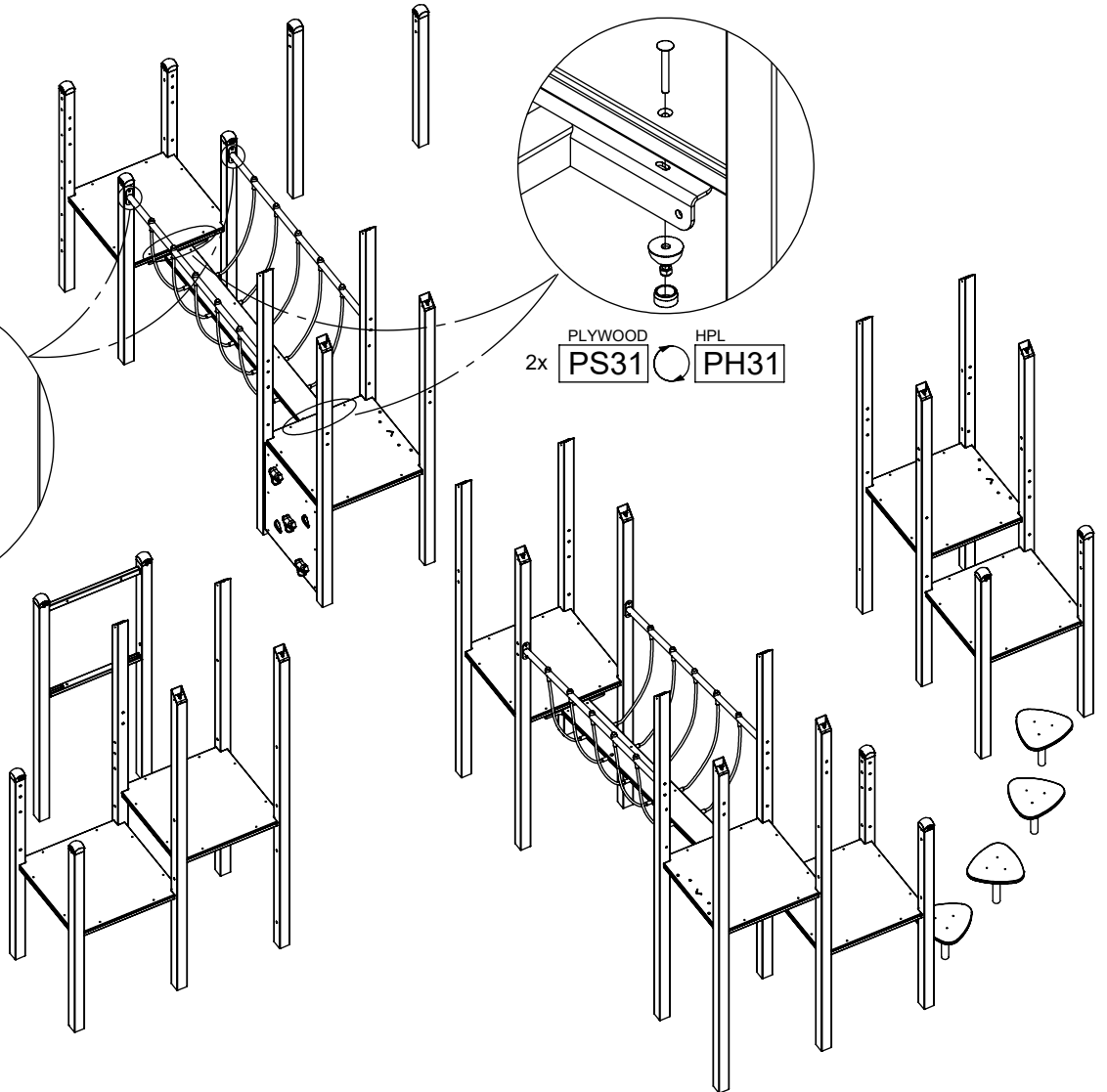
PLYWOOD PS22 1x HPL PH22



PLYWOOD PS31 2x HPL PH31



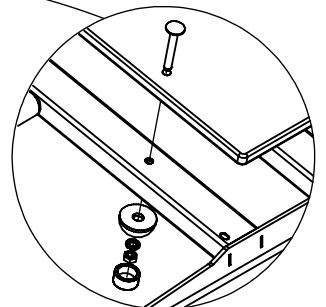
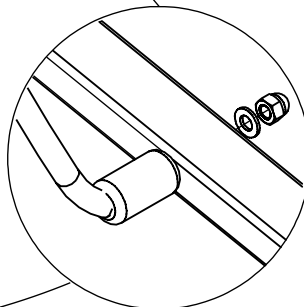
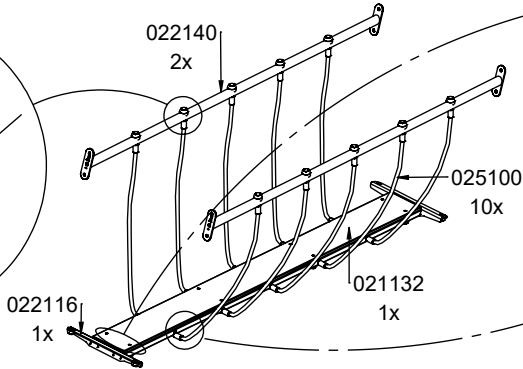
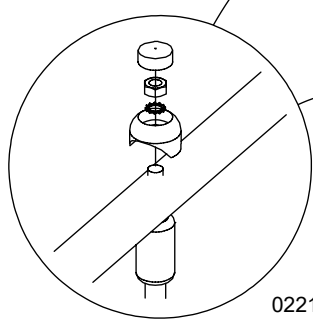
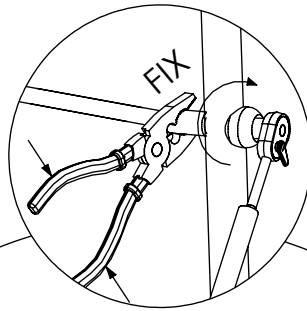
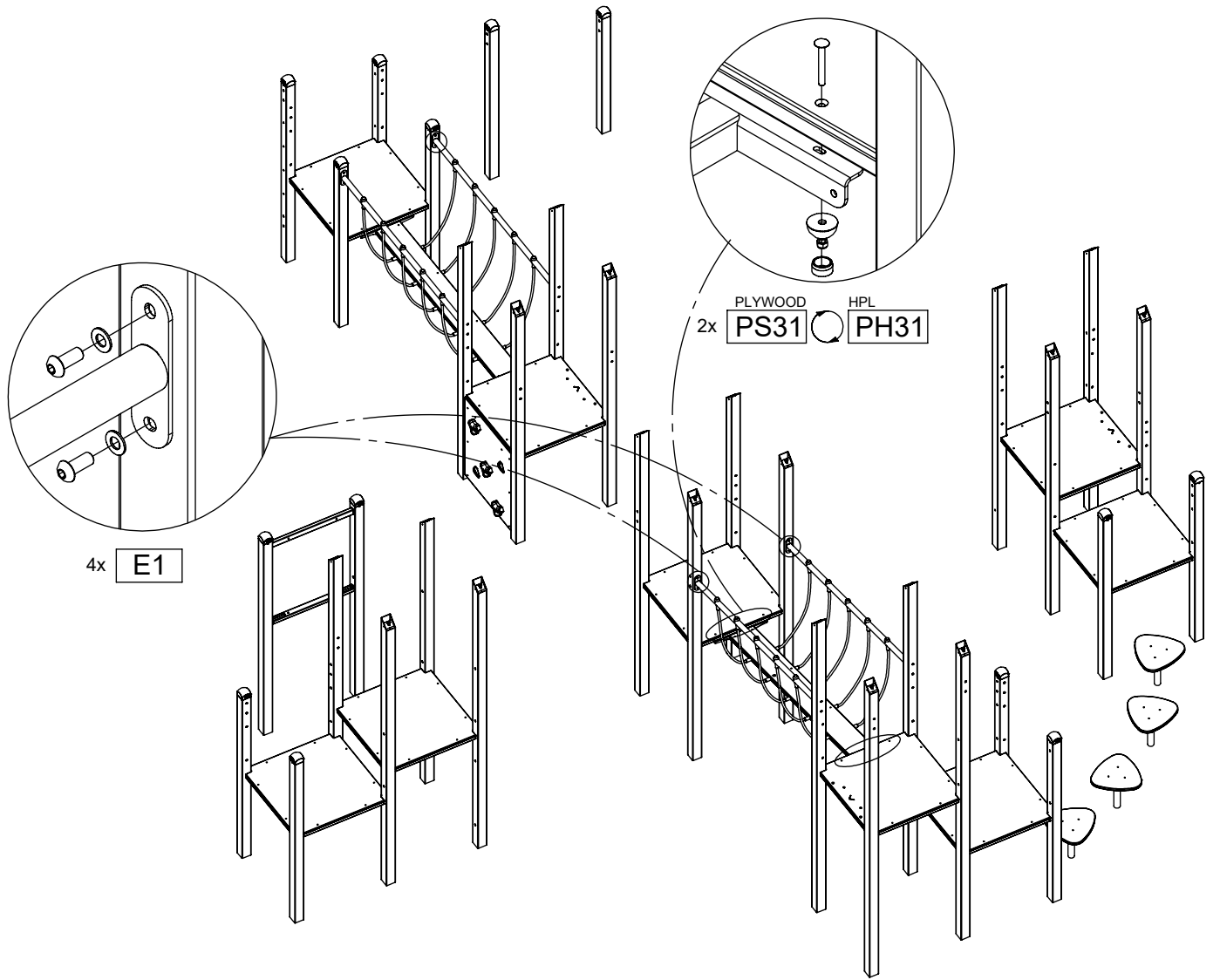
4x **E1**



[cm]



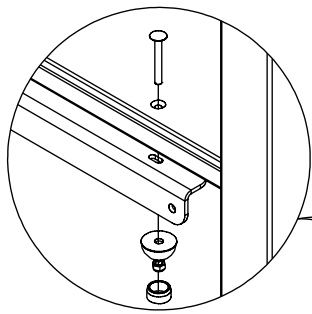
vinci play



[cm]

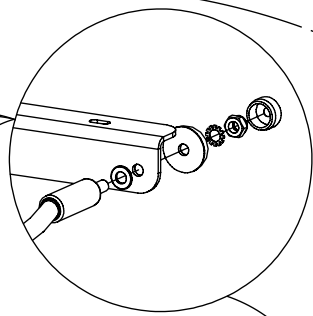
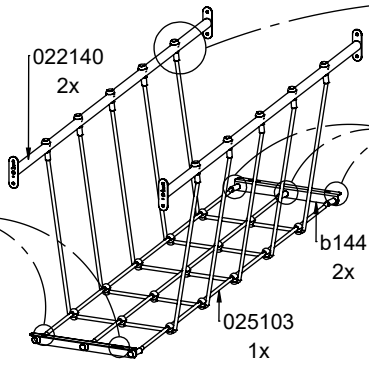


vinci  
play

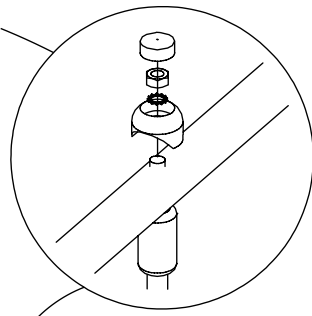


PLYWOOD  
1x PS31

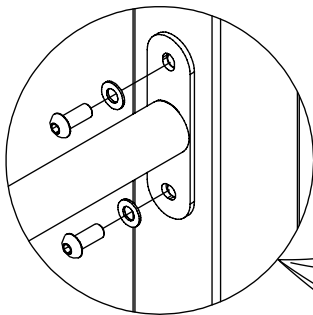
HPL  
1x PH31



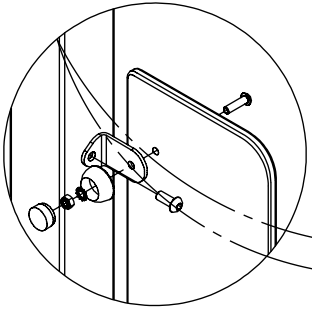
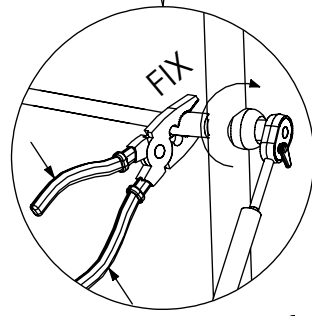
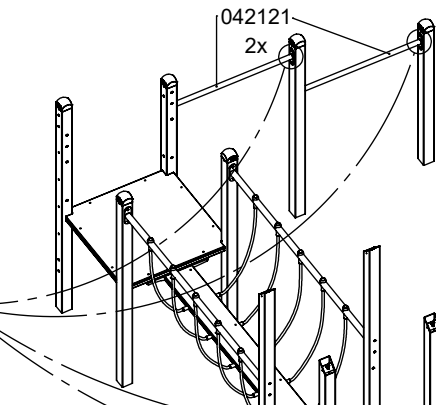
1x E51



1x E28

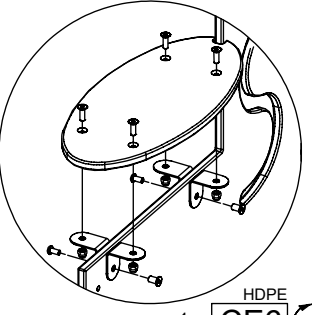
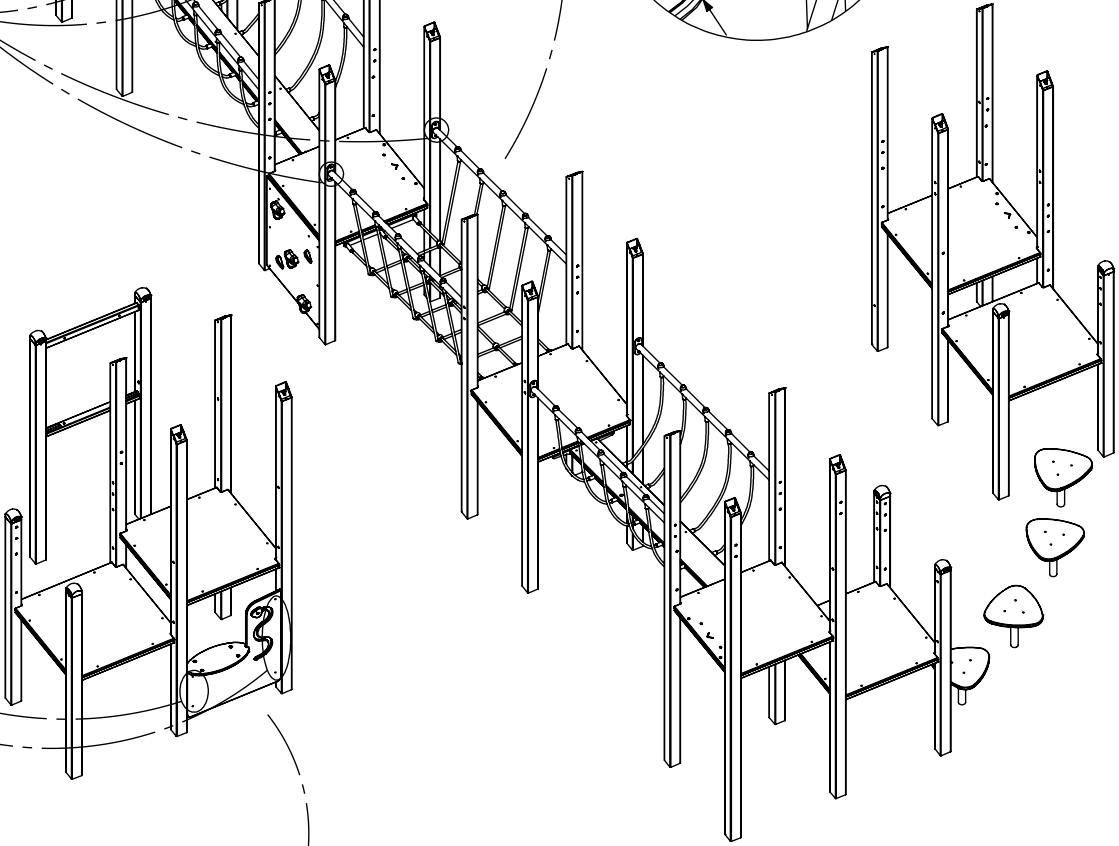


4x E1



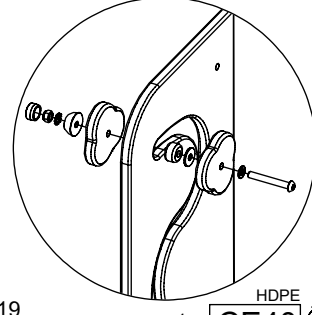
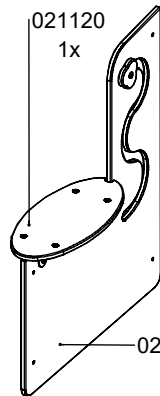
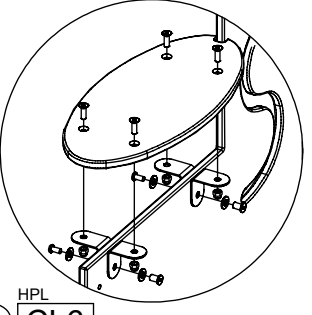
HDPE  
1x CE4

HPL  
1x CL4



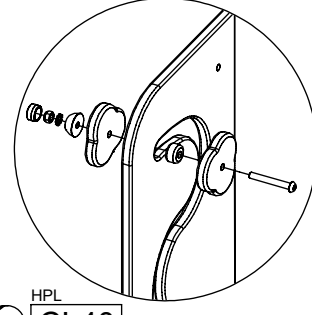
HDPE  
1x CE6

HPL  
1x CL6

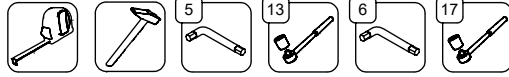


HDPE  
1x CE40

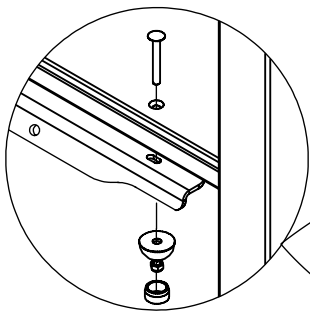
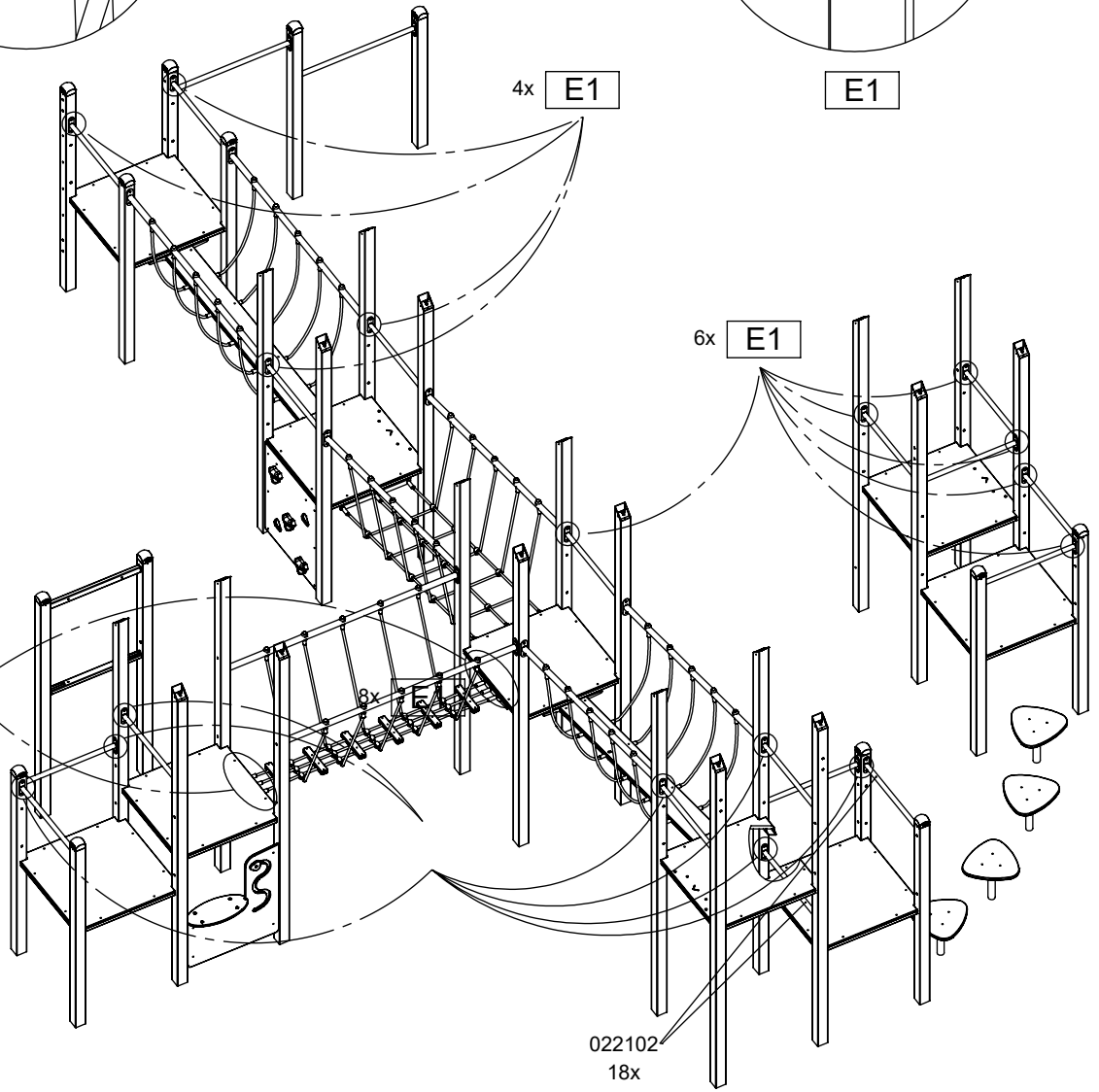
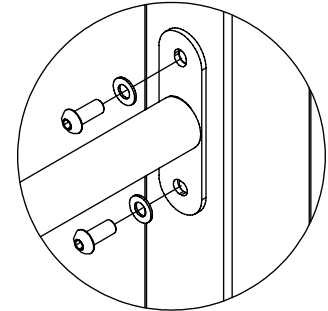
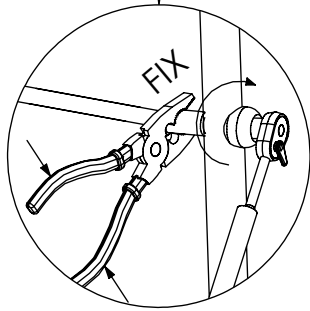
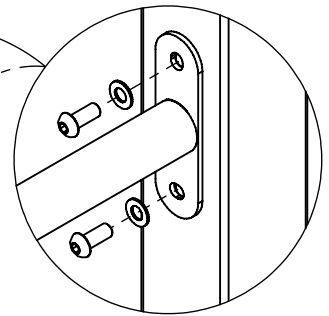
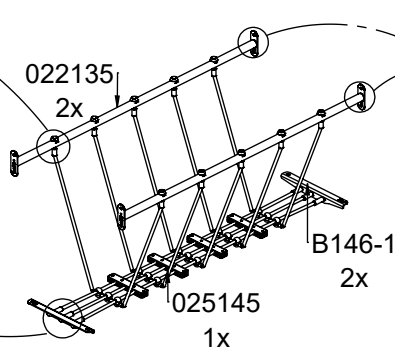
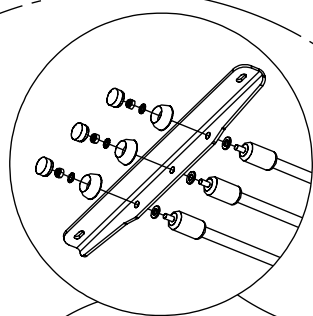
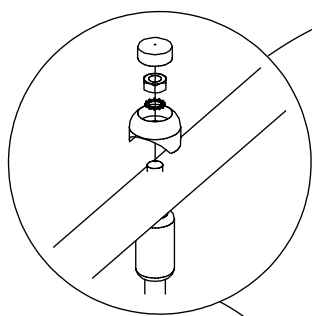
HPL  
1x CL40



[cm]



vinci  
play

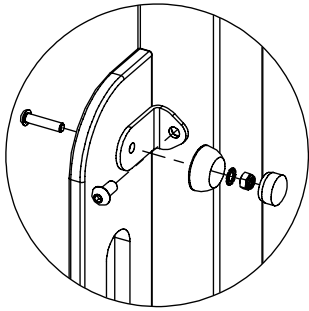


[cm]



vinci  
play





HDPE HPL  
CE4 CL4

2x HDPE HPL  
CE4 CL4

5x HDPE HPL  
CE4 CL4

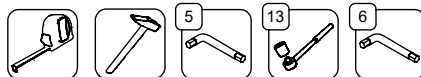
2x HDPE HPL  
CE4 CL4

021110  
24x

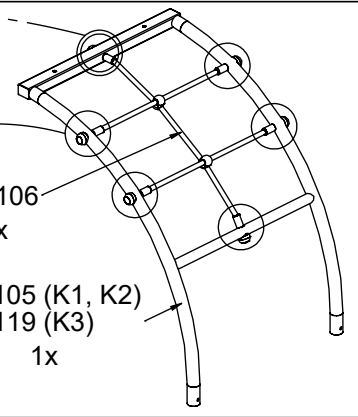
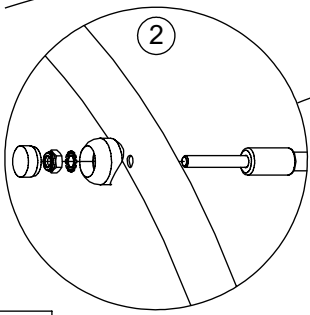
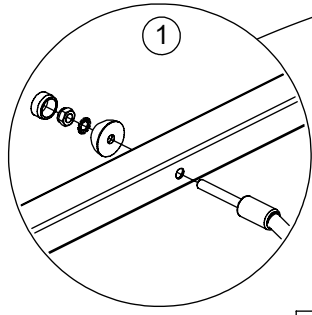
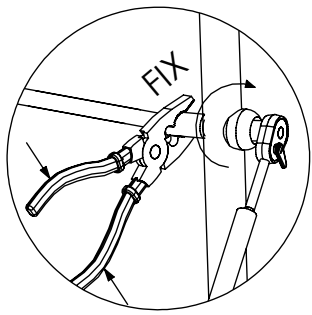
021129  
2x

4x HDPE HPL  
CE4 CL4

[cm]



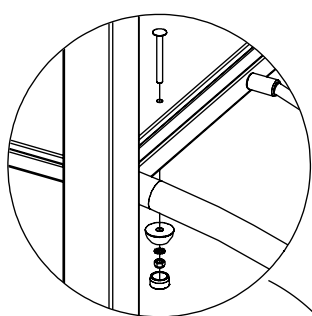
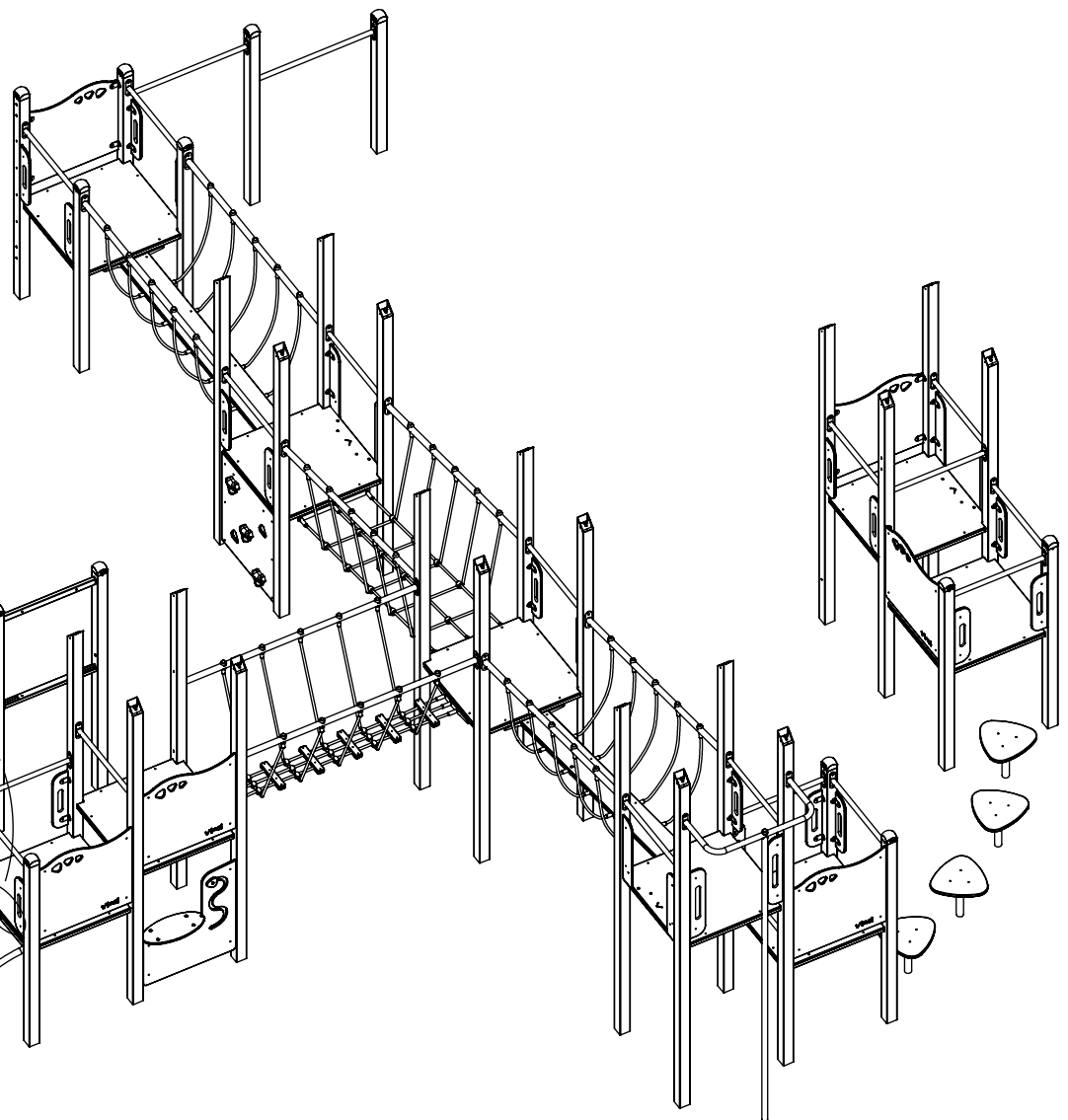
vinci  
play



025106  
1x

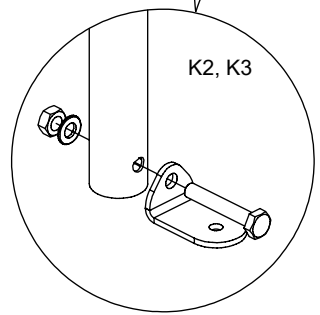
022105 (K1, K2)  
022119 (K3)  
1x

1x **E238**

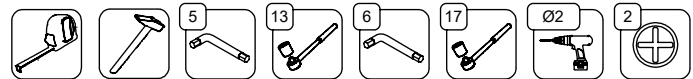


PLYWOOD **E4** HPL **E5**  
1x

024103 (K1, K2)  
024137 (K3)  
1x

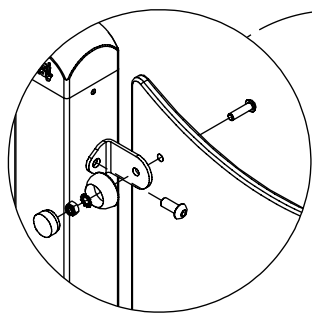


1x **E88**



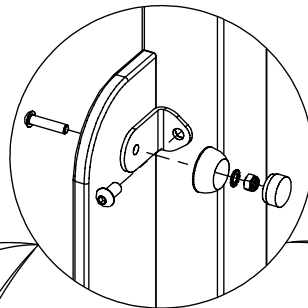
vinci  
play

[cm]

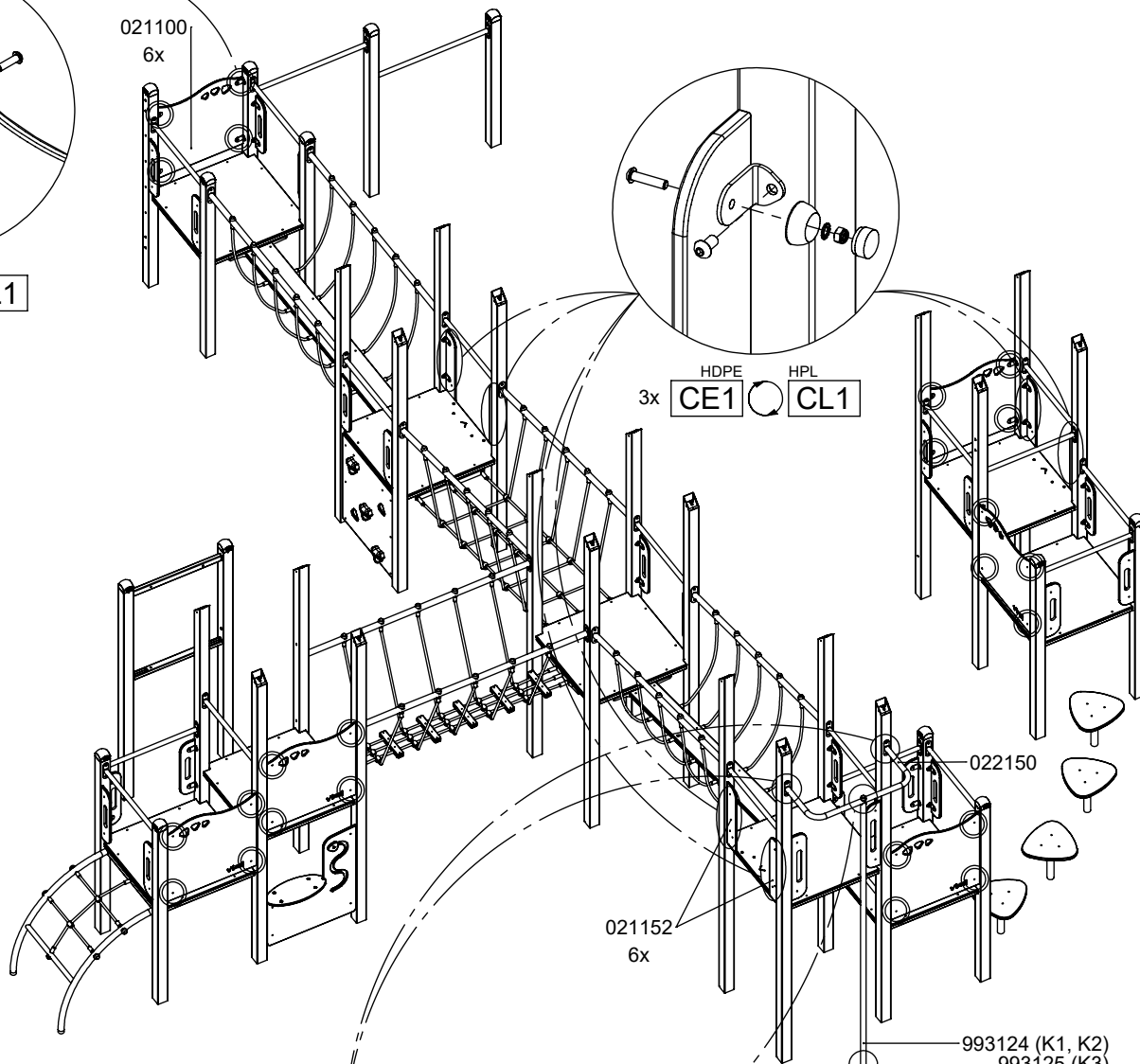


6x HDPE CE1 HPL CL1

021100  
6x



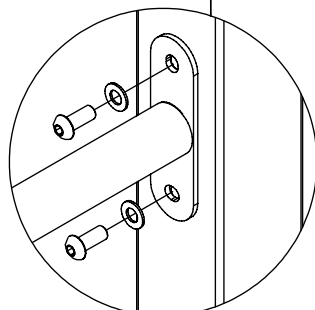
3x HDPE CE1 HPL CL1



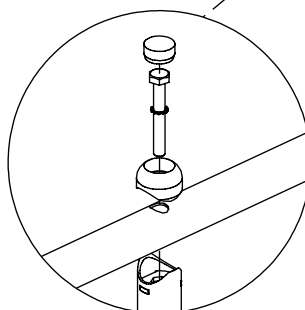
022150

021152  
6x

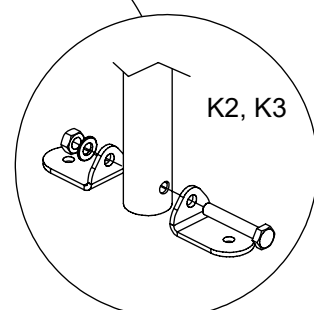
993124 (K1, K2)  
993125 (K3)  
1x



1x E1



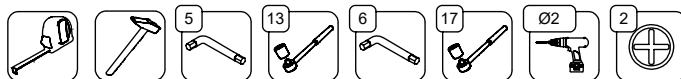
1x E39



1x E38

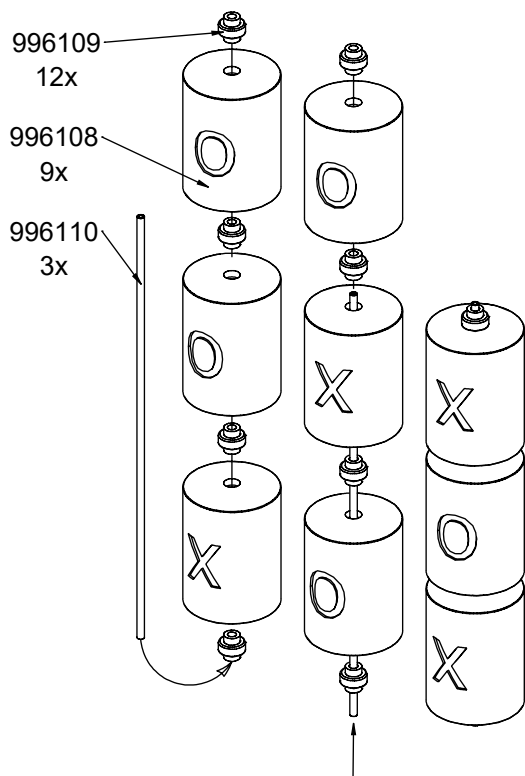
K2, K3

[cm]



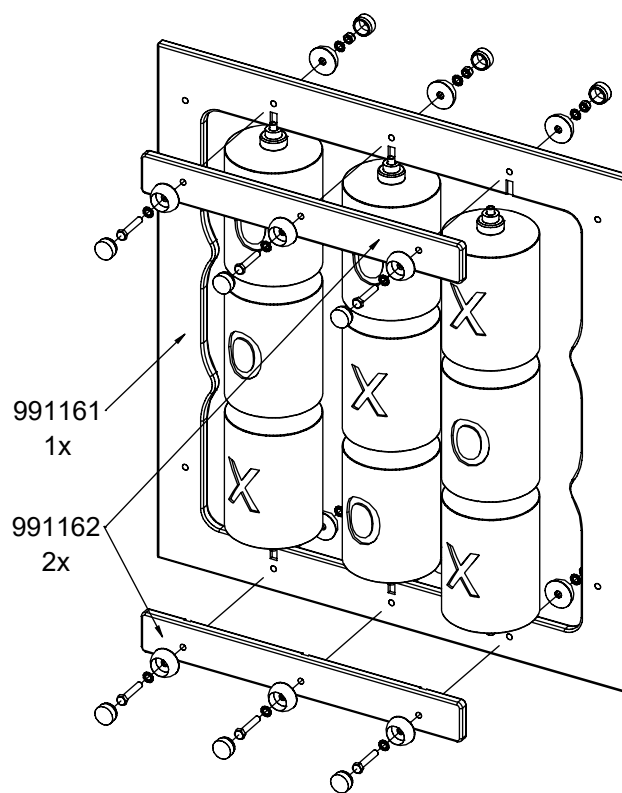
vinci  
play



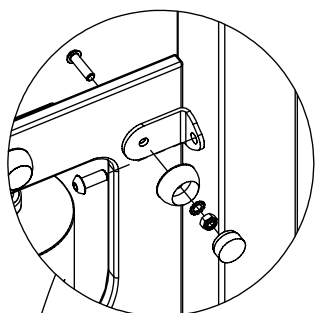


996109  
12x  
996108  
9x  
996110  
3x

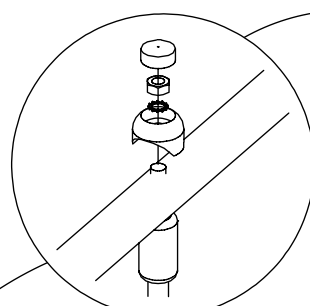
1x <sup>HDPE</sup> CE19  
1x <sup>HPL</sup> CL19



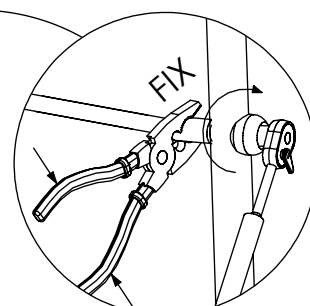
991161  
1x  
991162  
2x



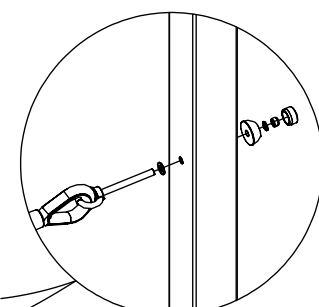
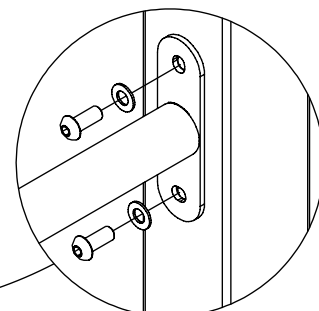
1x <sup>HDPE</sup> CE4 <sup>HPL</sup> CL4



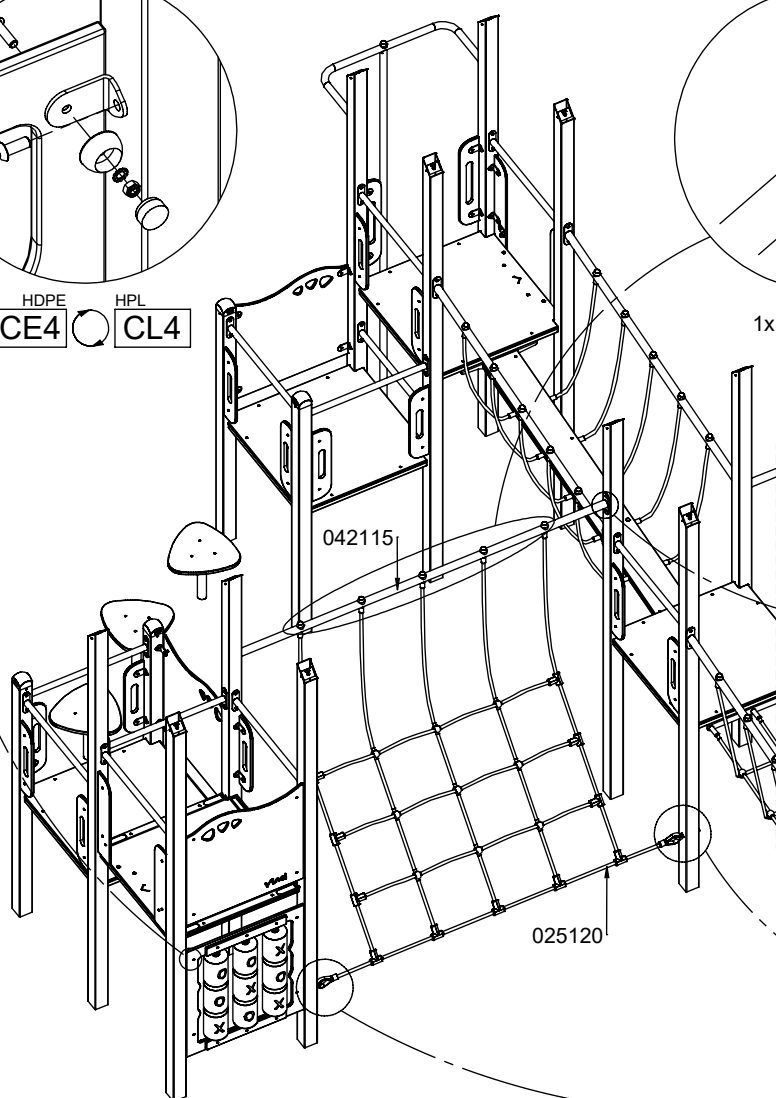
1x E54



1x E1



1x E50

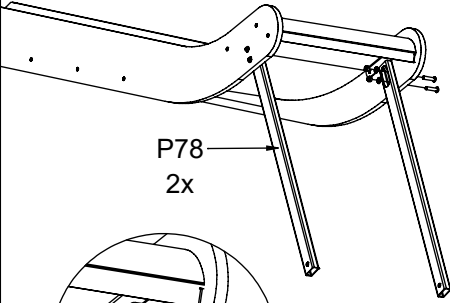


[cm]

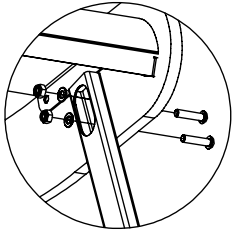


vinci  
play

K1



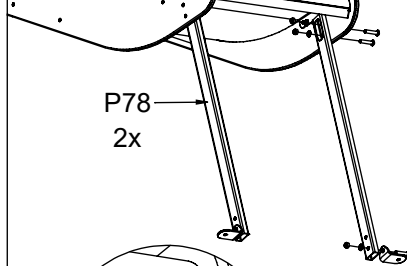
P78  
2x



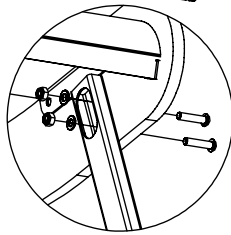
1x E34

3x

K2



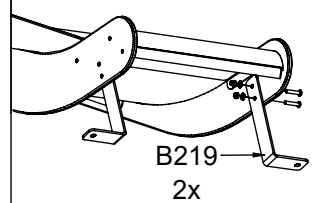
P78  
2x



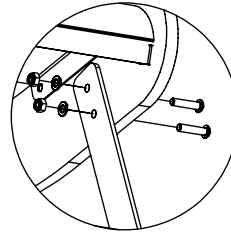
1x E35

3x

K3

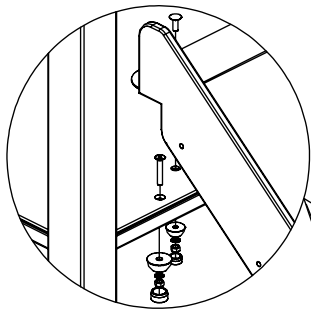


B219  
2x



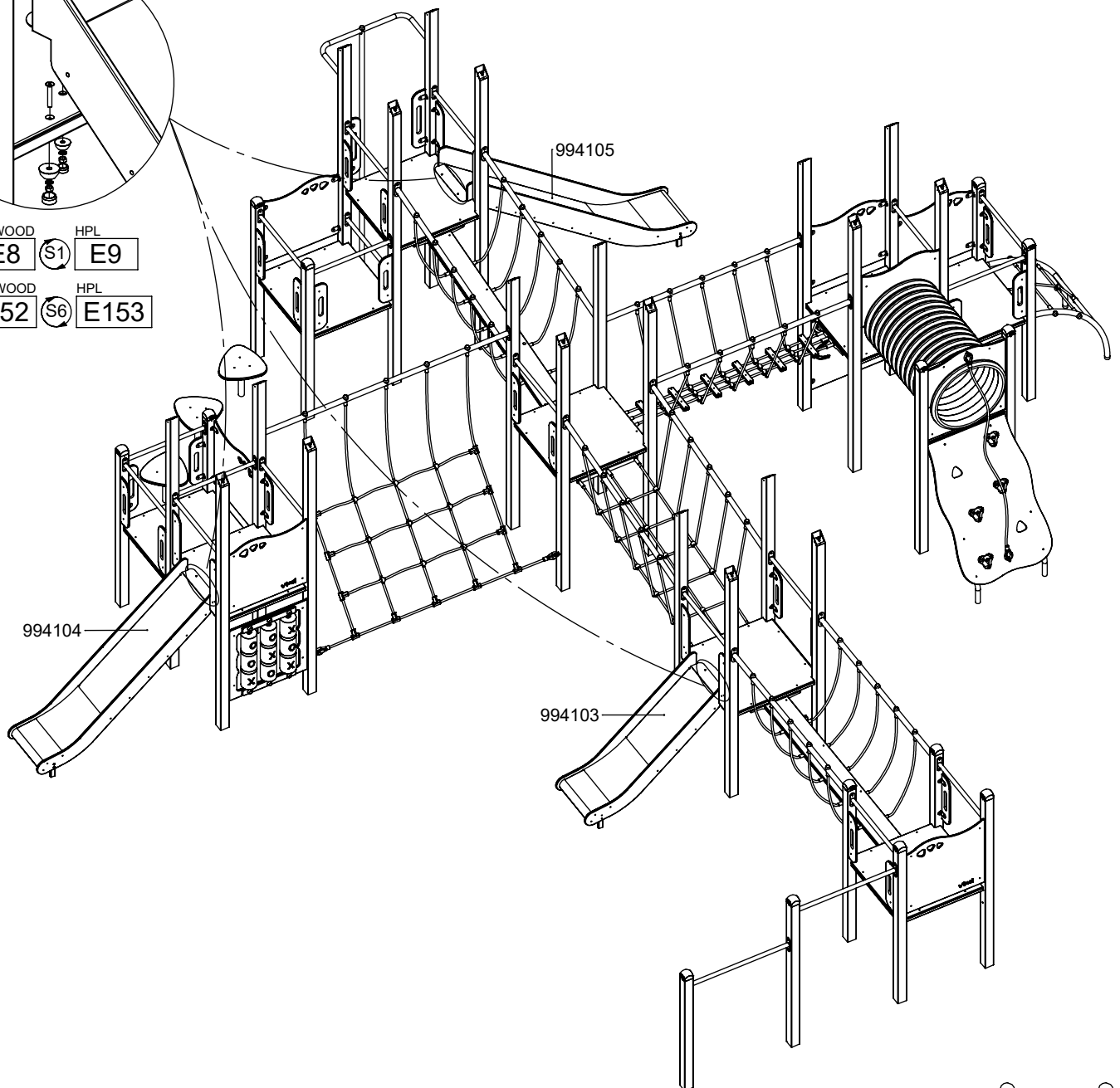
1x E34

3x



PLYWOOD HPL  
3x E8 S1 E9

PLYWOOD HPL  
3x E152 S6 E153



994104

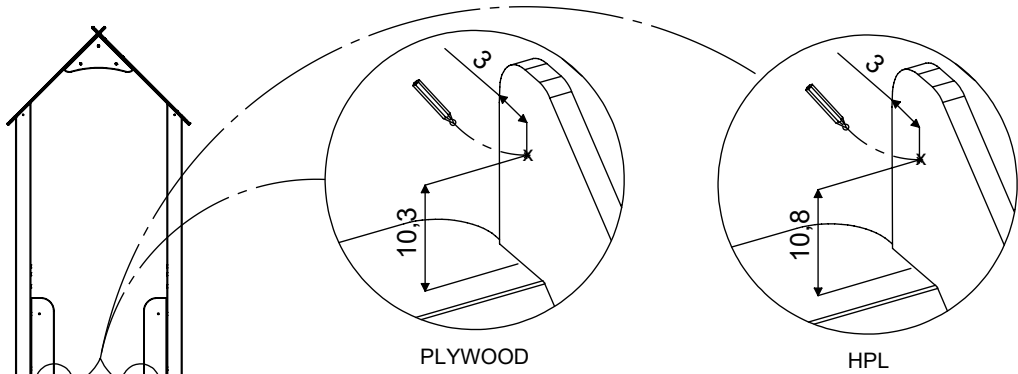
994103

994105

[cm]

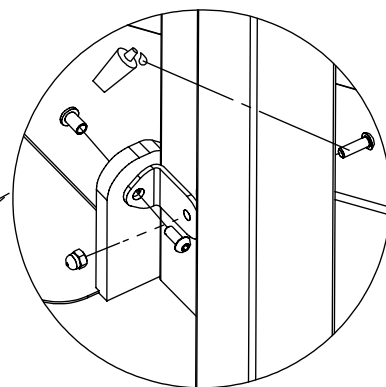
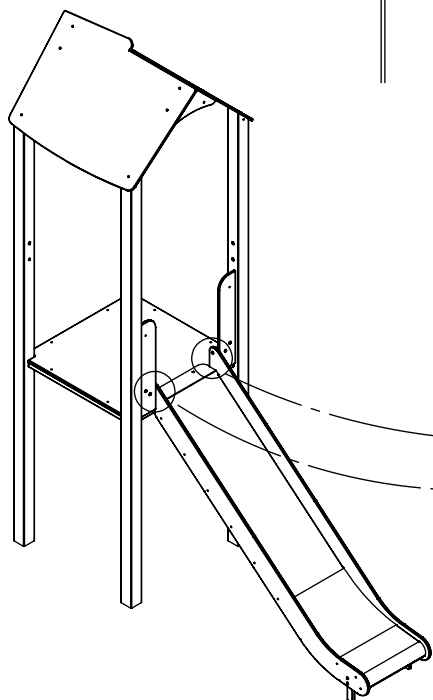
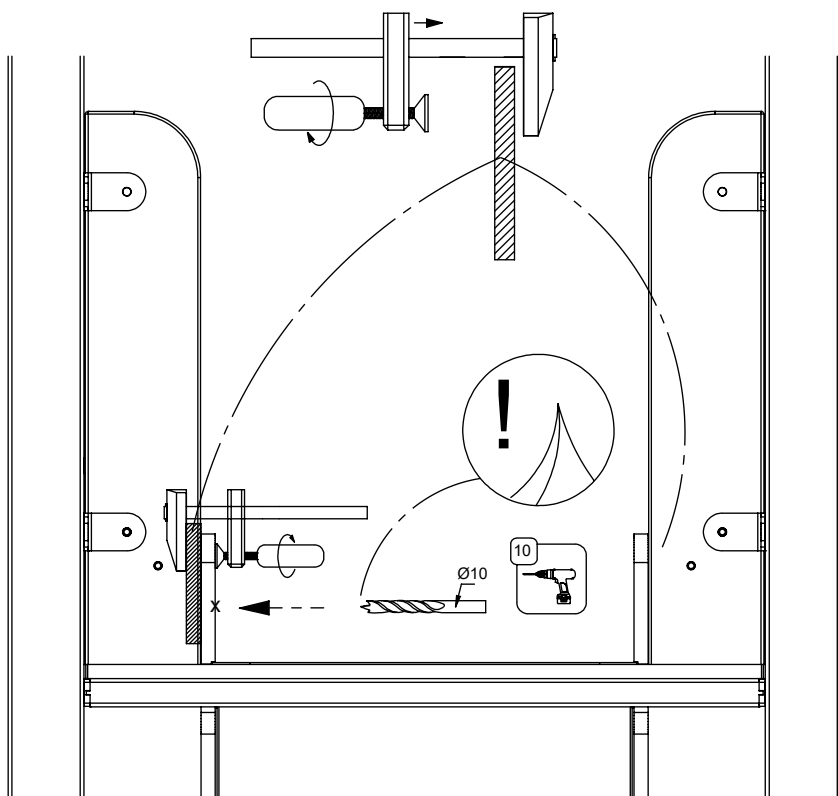


vinci  
play



PLYWOOD

HPL

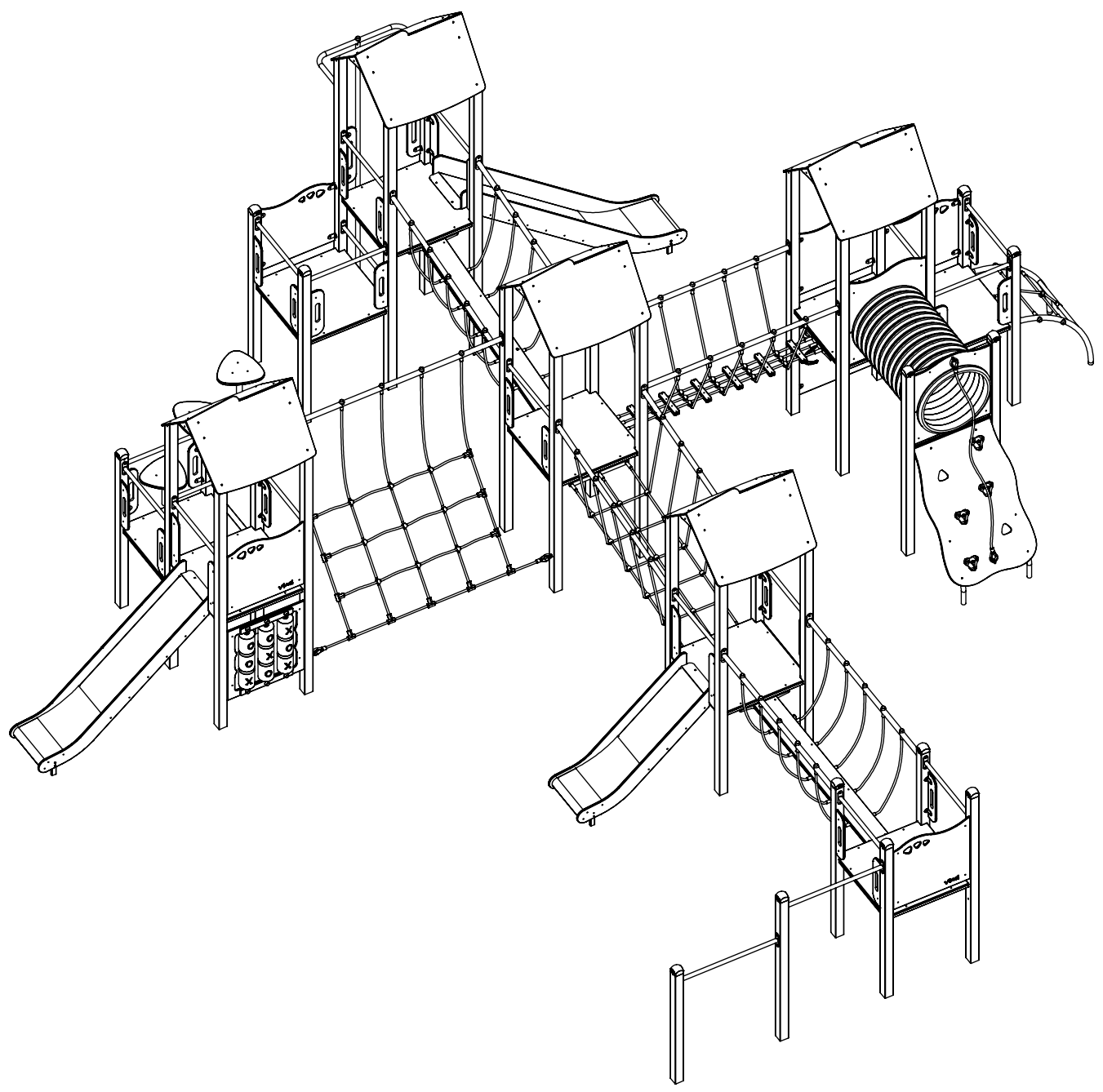
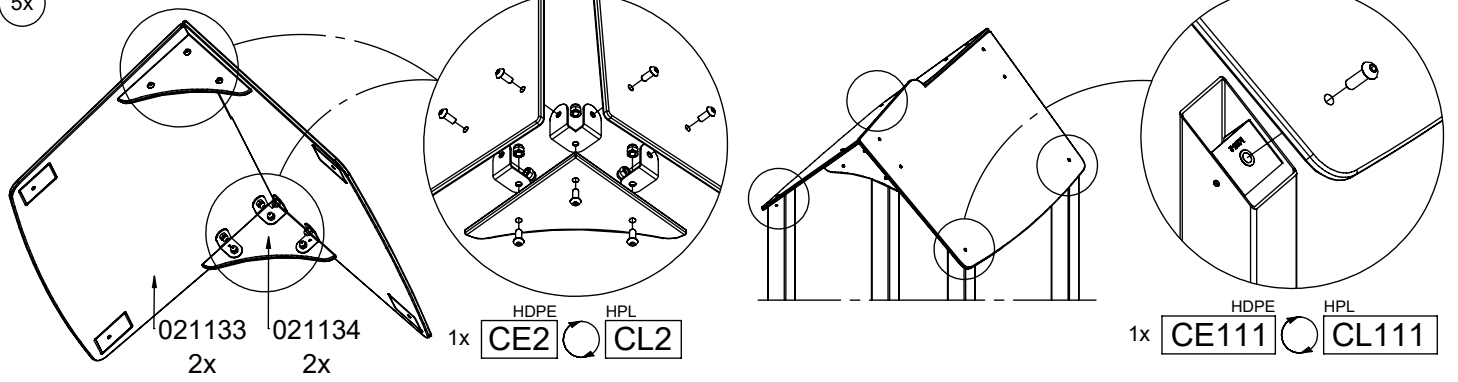


1x 

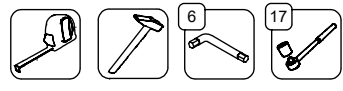
HDPE	HPL
CE31	CL31



5x

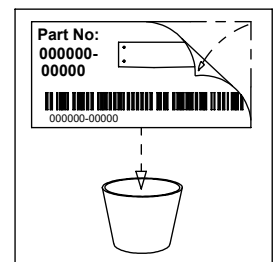
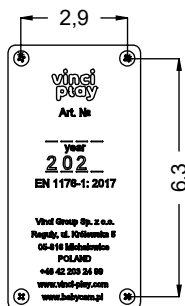
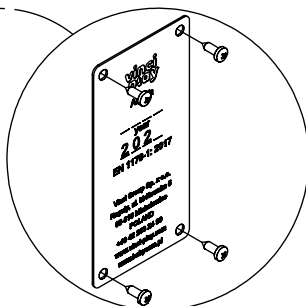
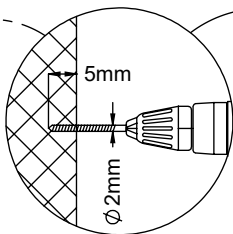
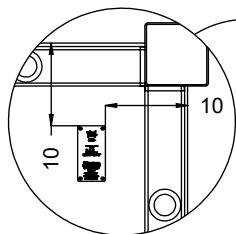
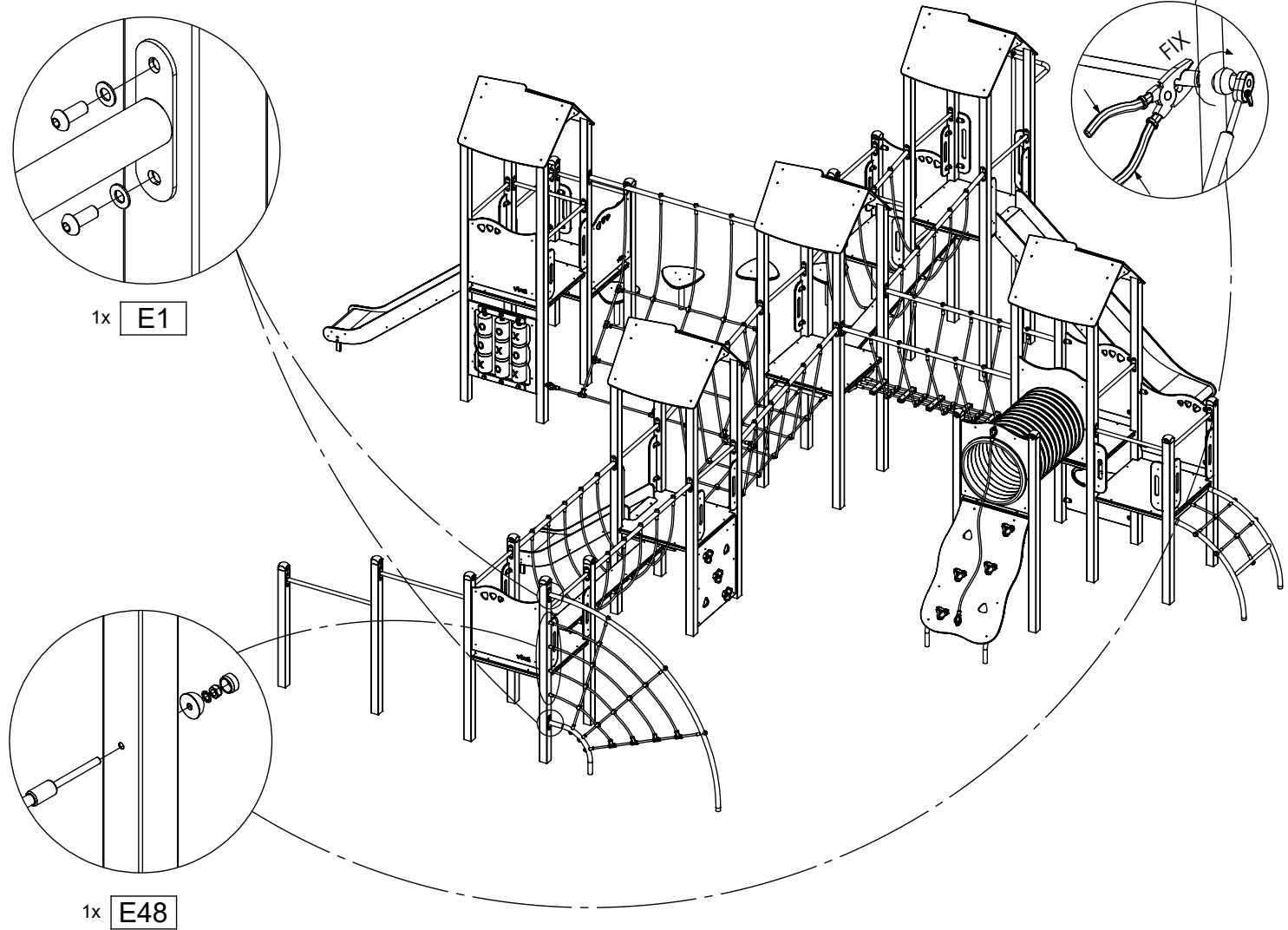
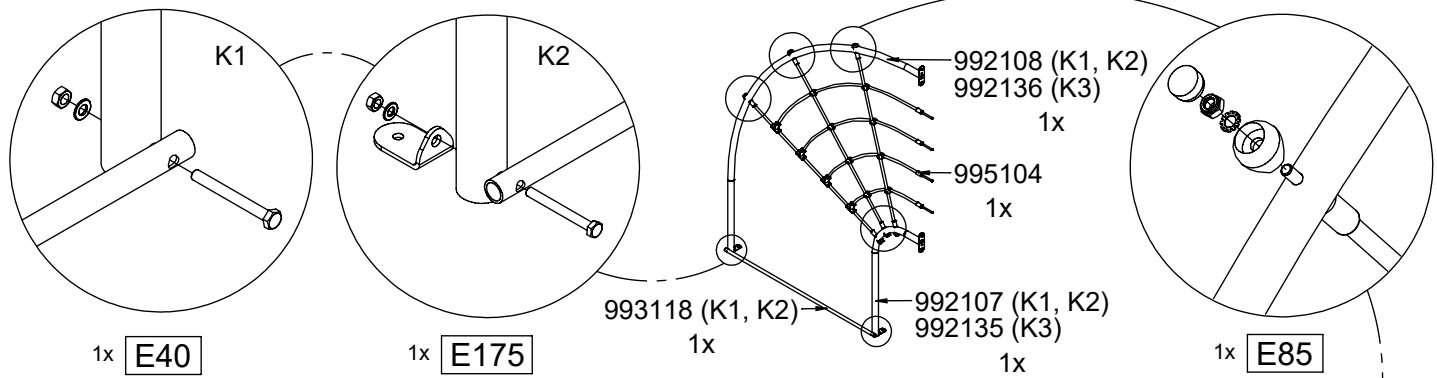


[cm]

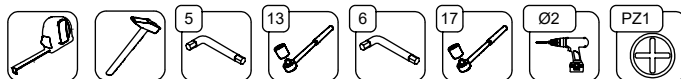


vinci play





[cm]



vinci  
play