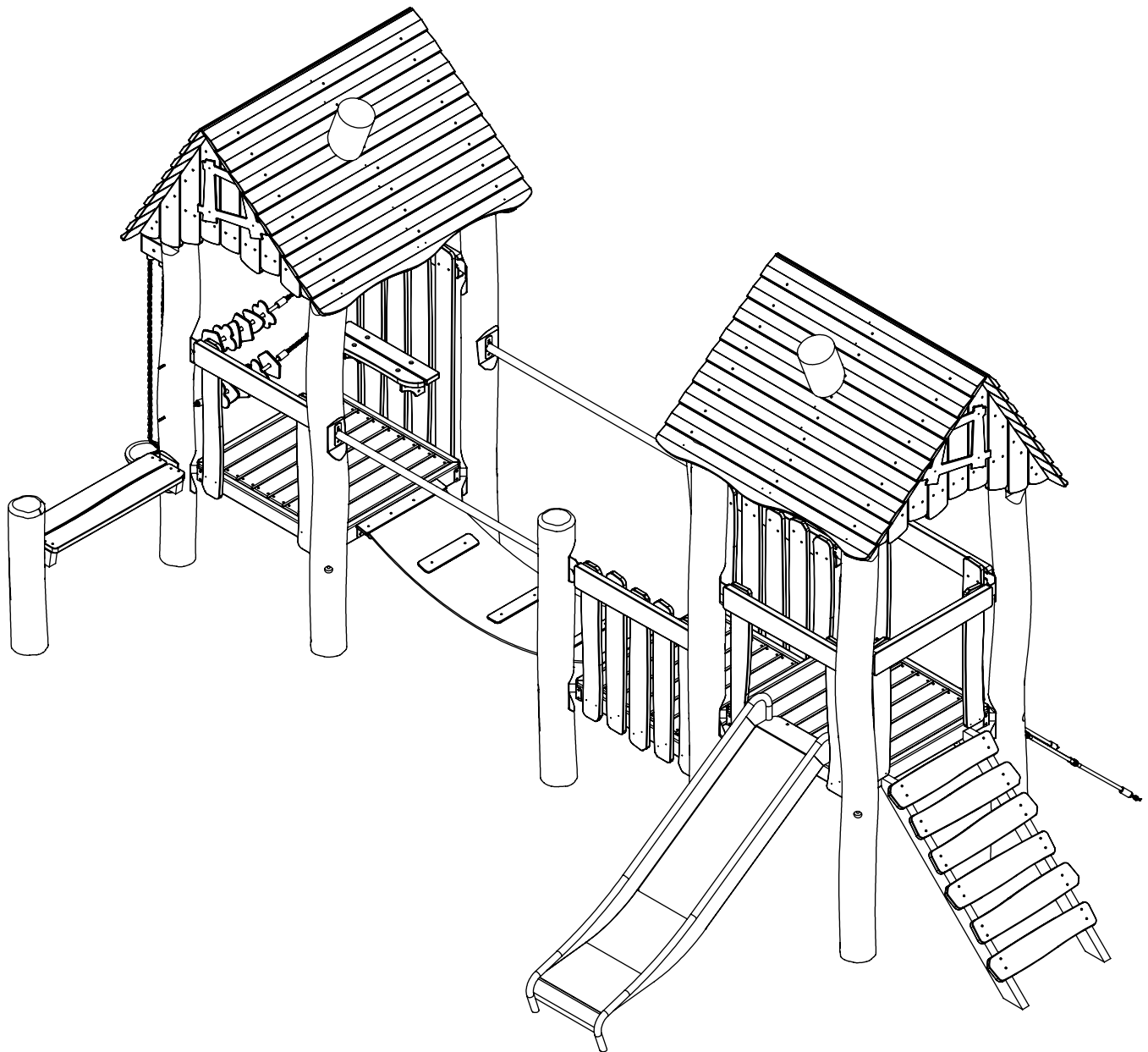
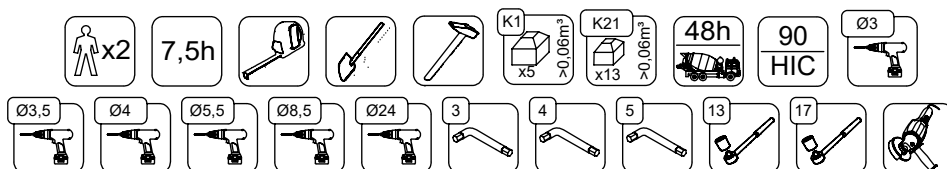


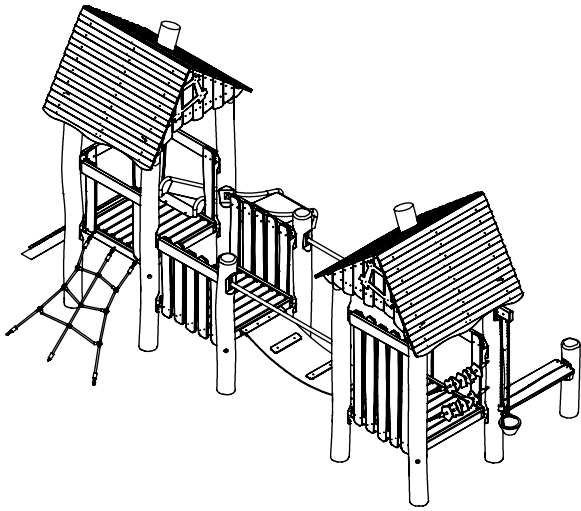
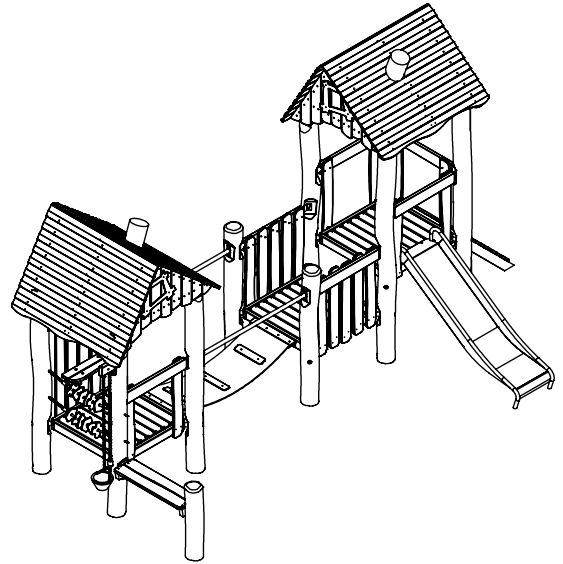
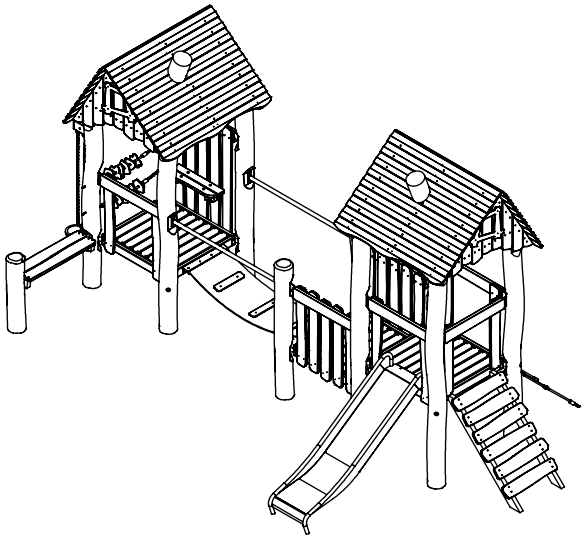
RB1207

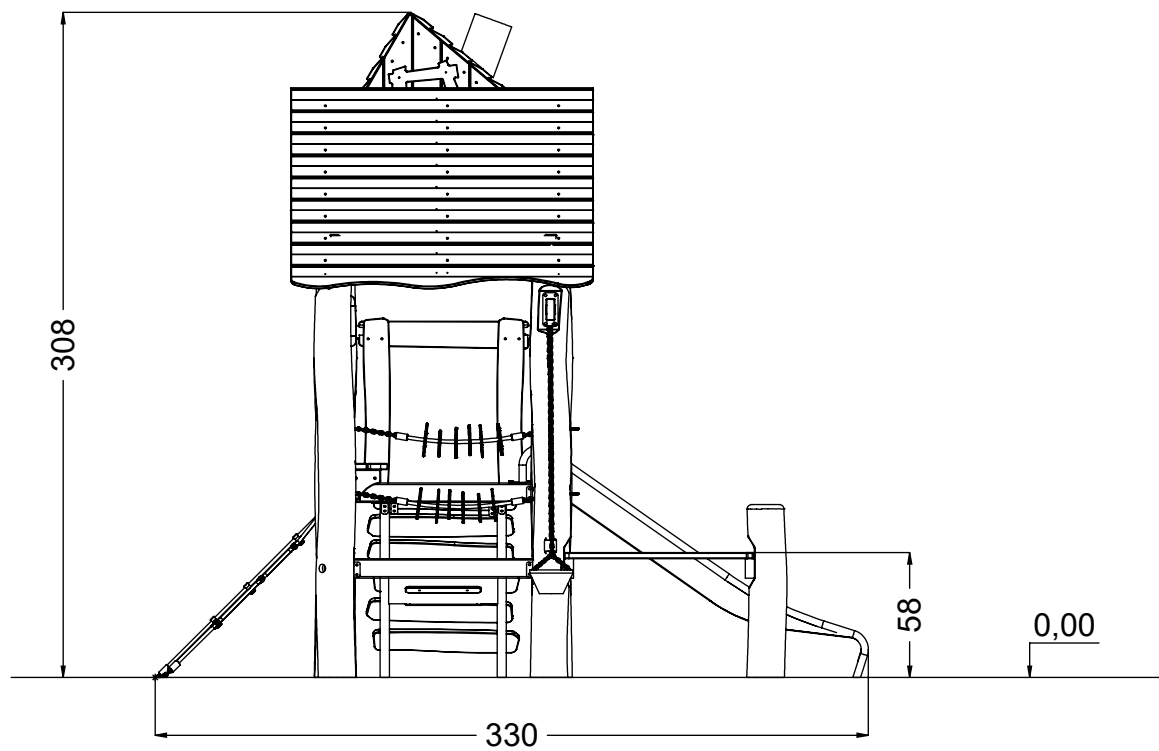
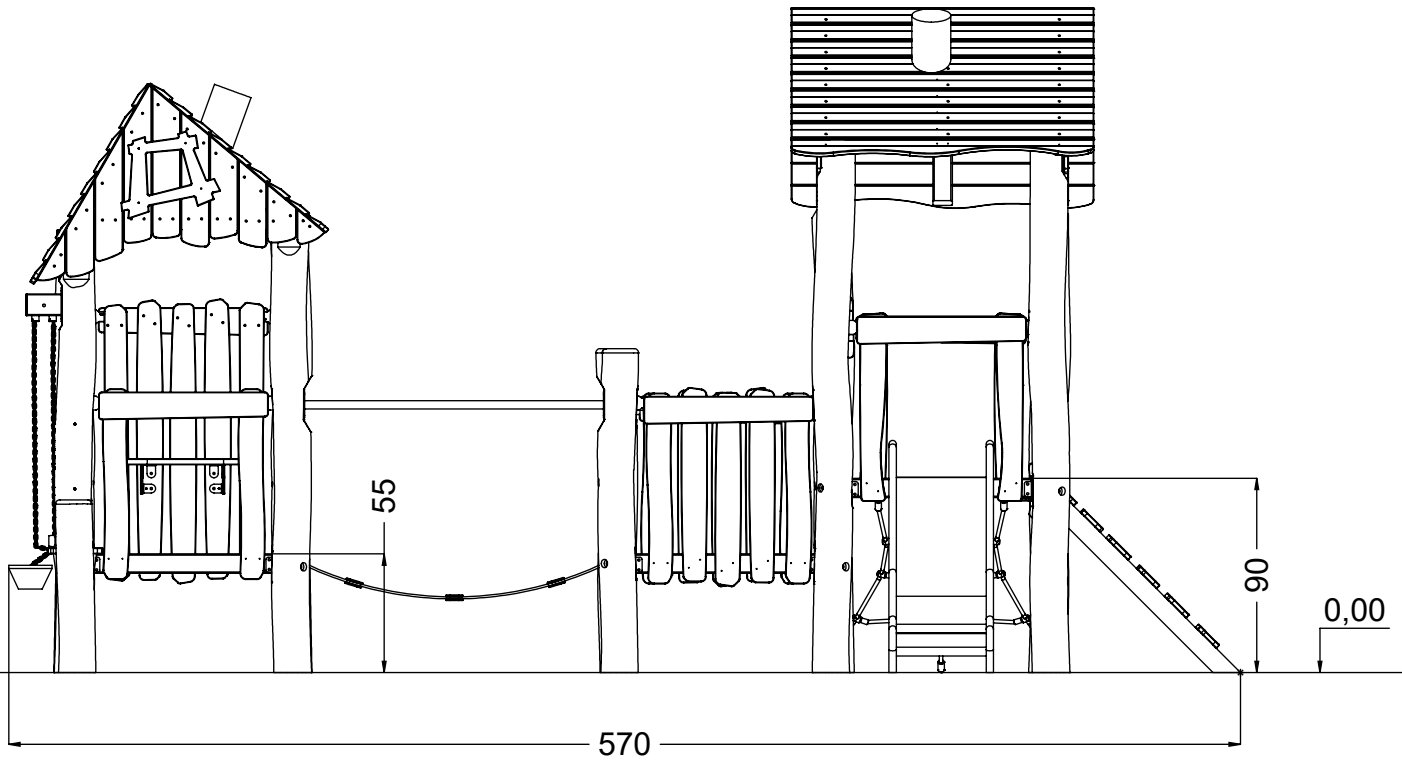


v010
06.04.2021
A. P.
[cm]



vinci
play

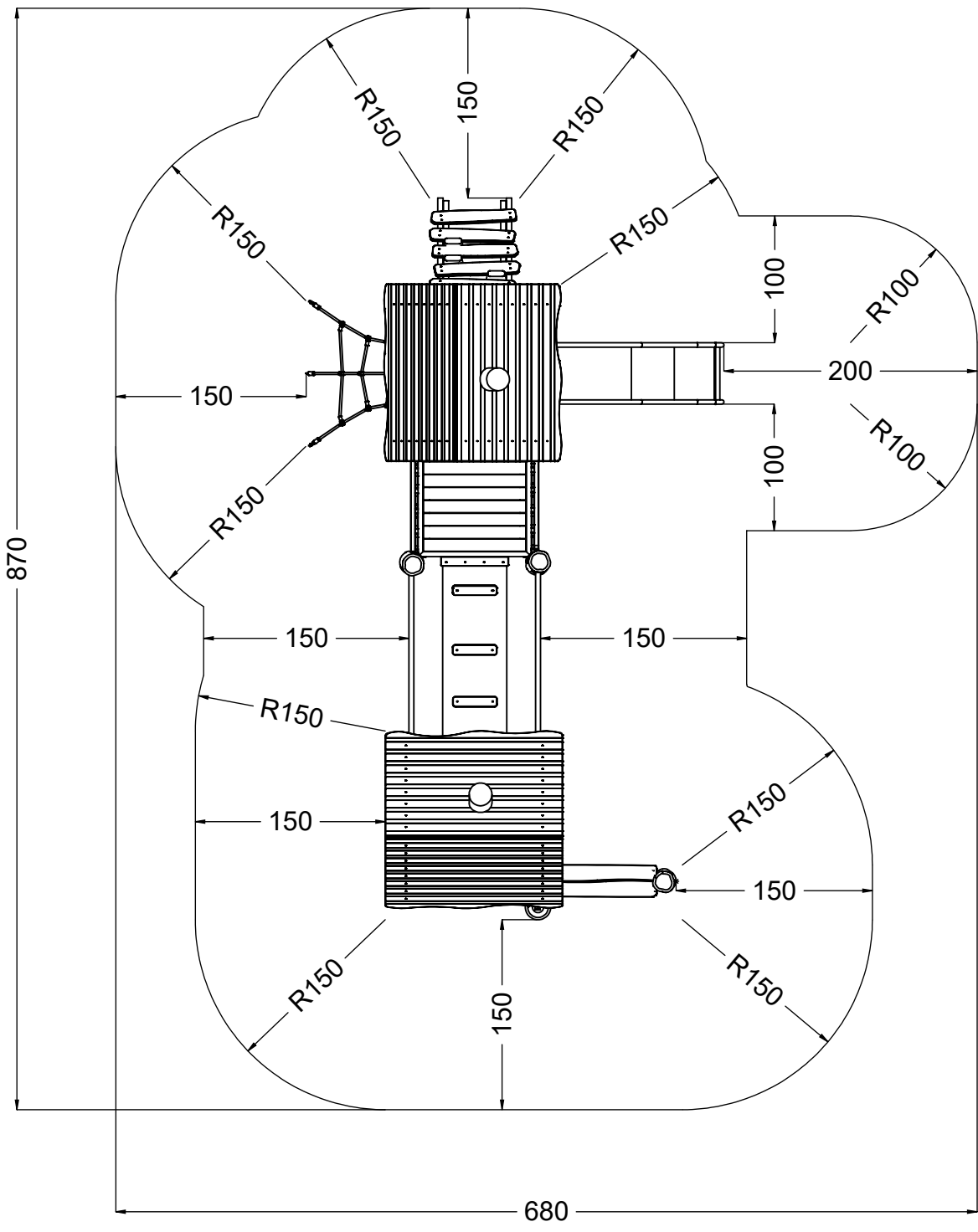




[cm]



vinci
play

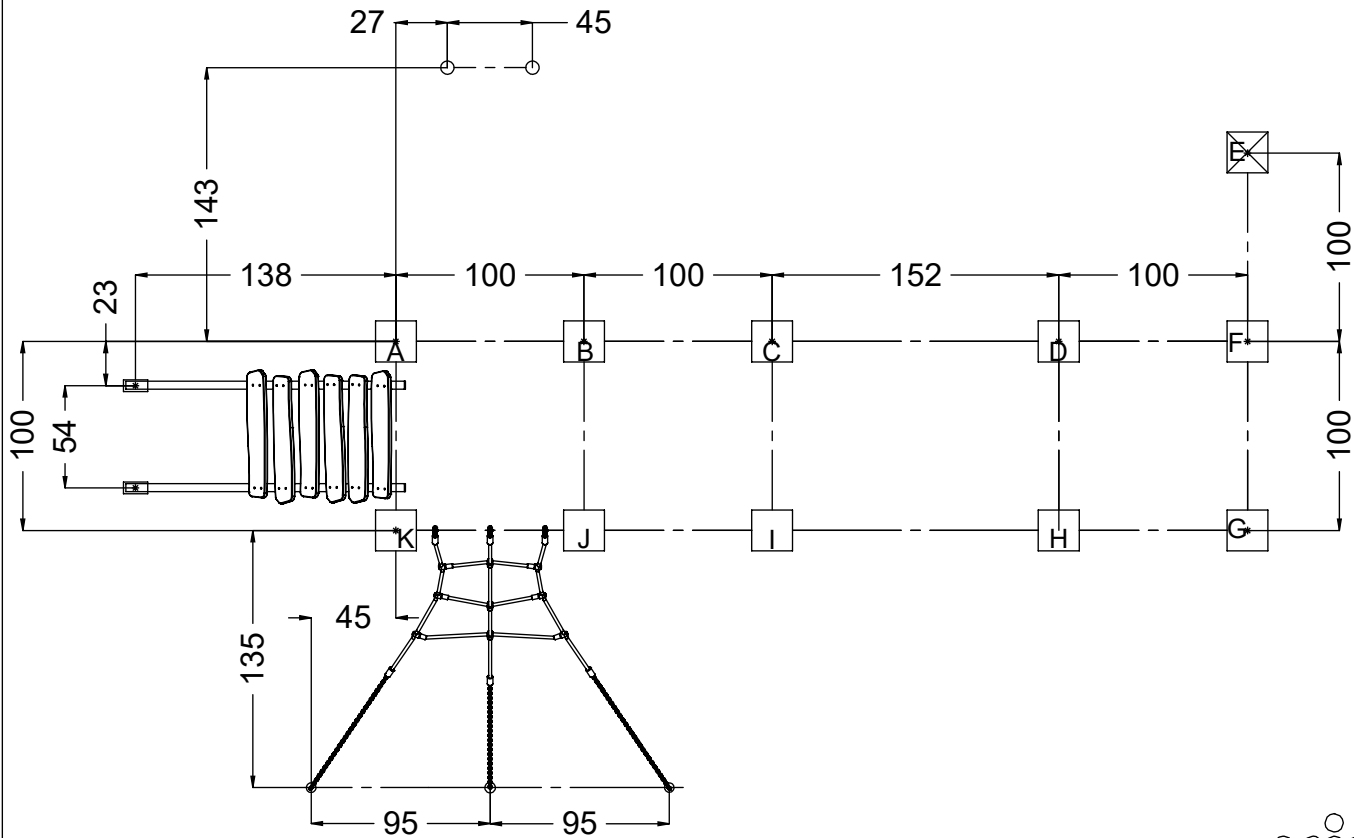
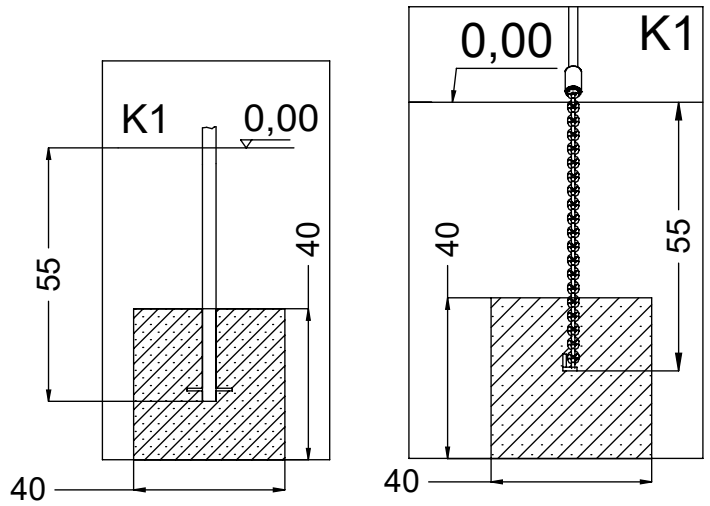
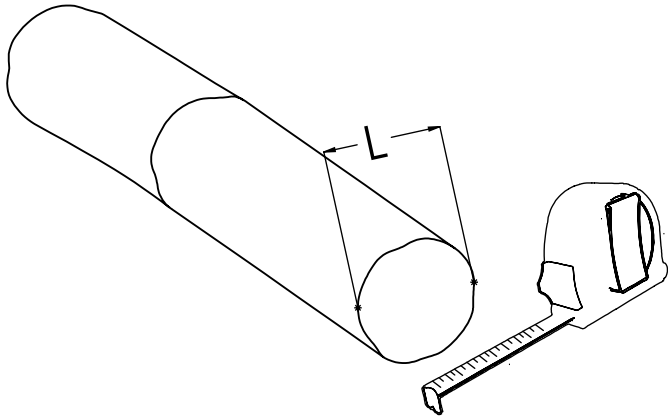
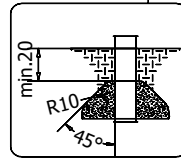
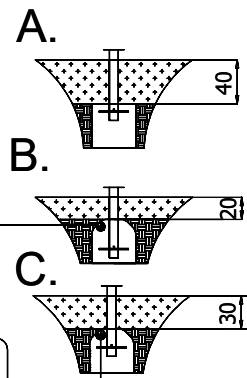
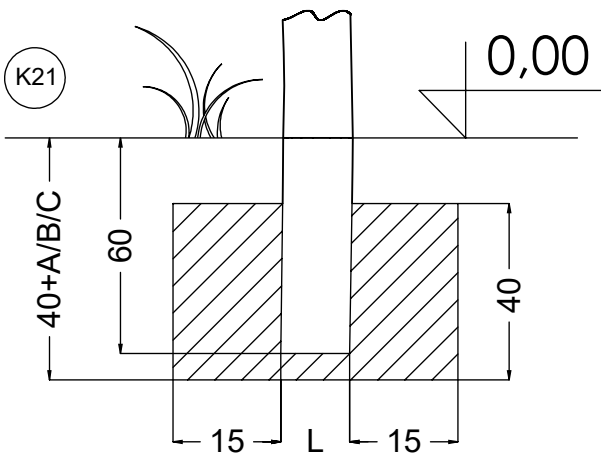


[cm]



vinci
play

K21



[cm]



7,5h



vinci play



127110 (A)
x1



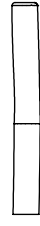
127109 (B)
x1



127106 (C)
x1



127105 (D)
x1



127101 (E)
x1



127102 (F)
x1



127103 (G)
x1



127104 (H)
x1



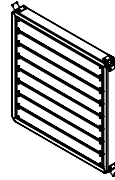
127107 (I)
x1



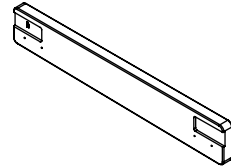
127108 (J)
x1



127111 (K)
x1



124100
x3



128107
x4



128113
x2



128179
x2



128103
x1



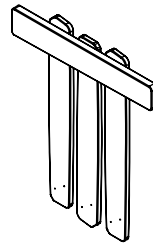
128178
x1



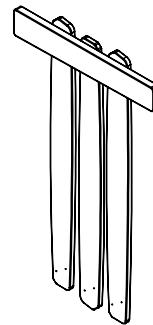
128181
x6



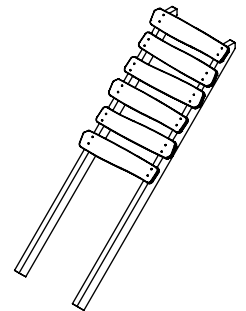
128182
x2



124104
x2



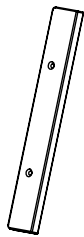
124105
x1



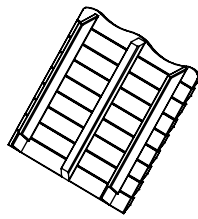
124109
x1



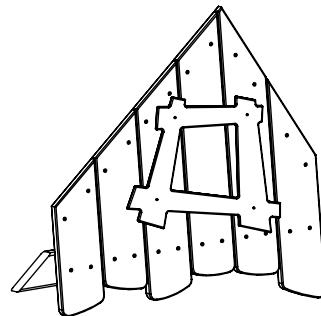
128106
x1



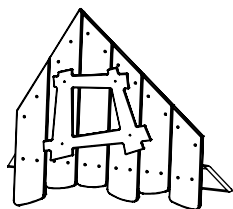
128102
x1



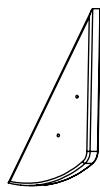
124133
x4



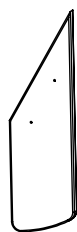
124135
x2



124132
x2



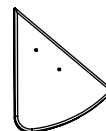
128229
128117
x2



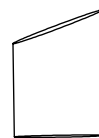
128230
128118
x2



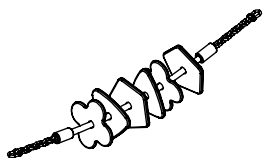
128237
128125
x2



128238
128126
x4



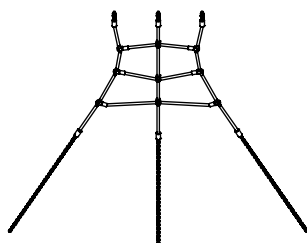
128172
x2



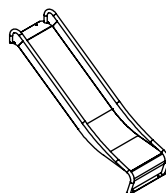
124112
x2



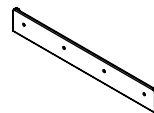
994121
x1



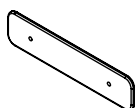
125100
x1



994172
x1



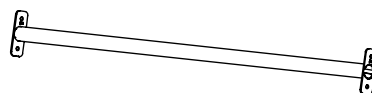
121107
x2



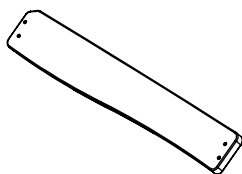
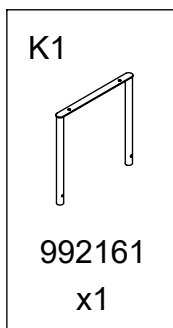
121117
x6



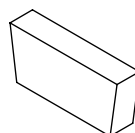
126101
x1



142141
x2



128153
x2

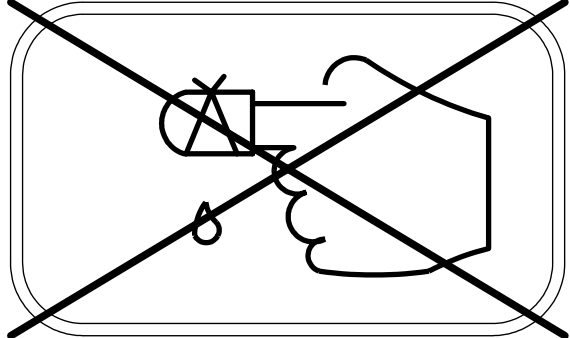
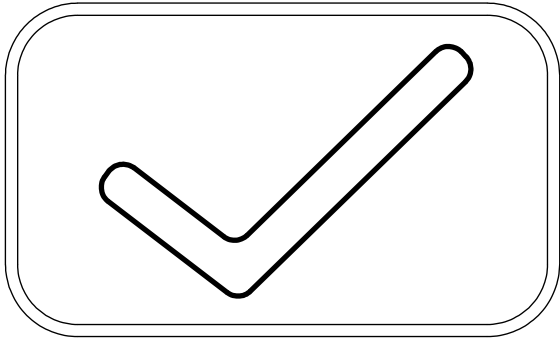
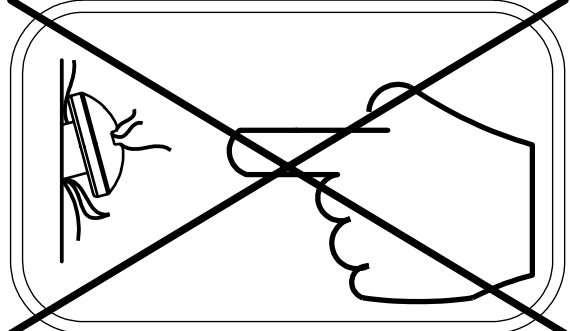
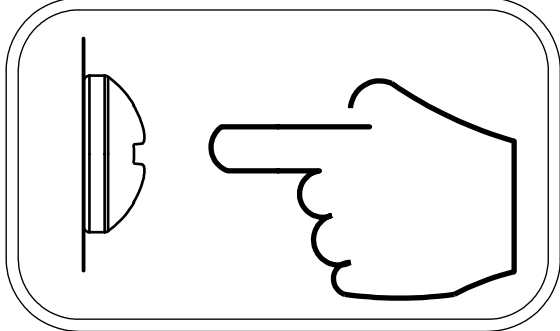
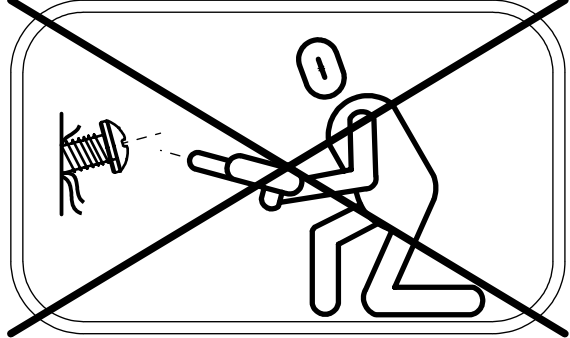
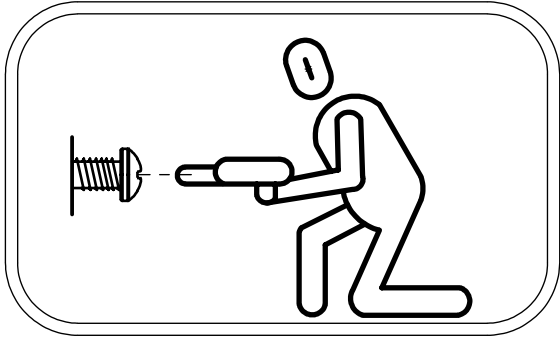


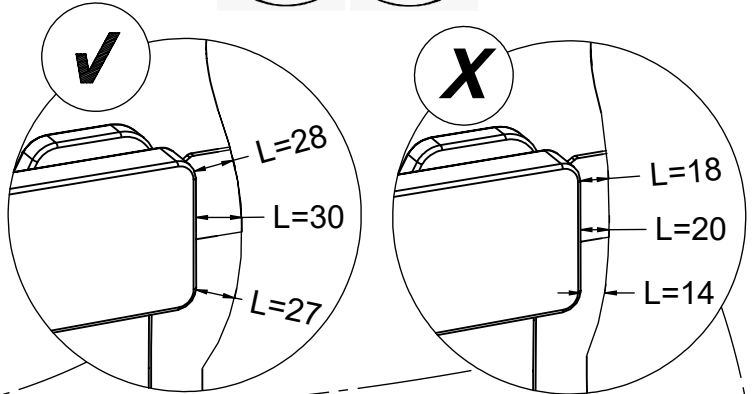
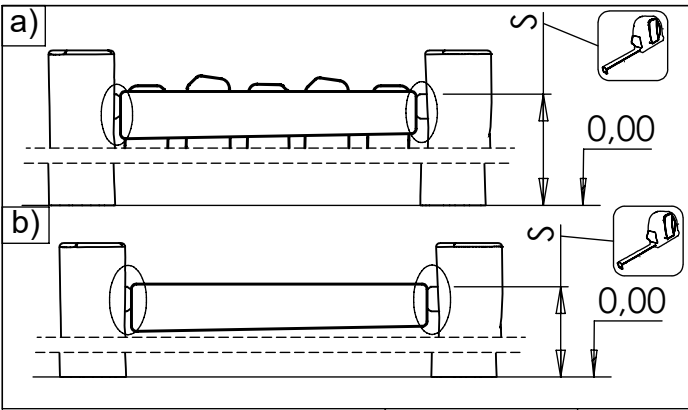
128154
x2

3x	12e004
2x	12e007
1x	12e015
1x	12e018
1x	12e019
1x	12e020
1x	12e021
1x	12e030
3x	12e052
2x	b392
10x	b389
2x	b390
1x	GL
1x	V001

52x	8x50sxi
2x	6x50sxs
8x	10 PP
158x	5x50sxs
42x	5x30sxs
22x	5x80sxs
12x	8x80sxt
12x	7x35sxi



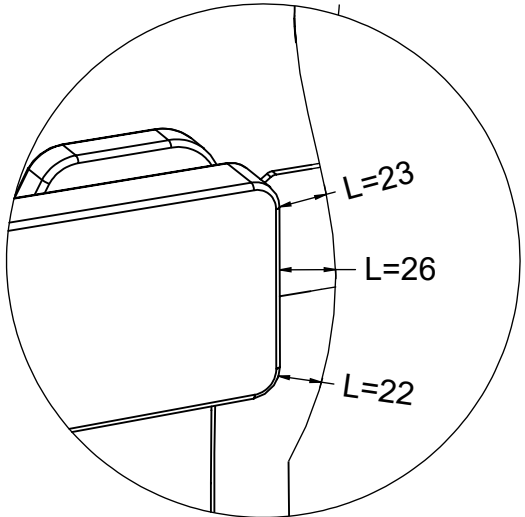




S < 97

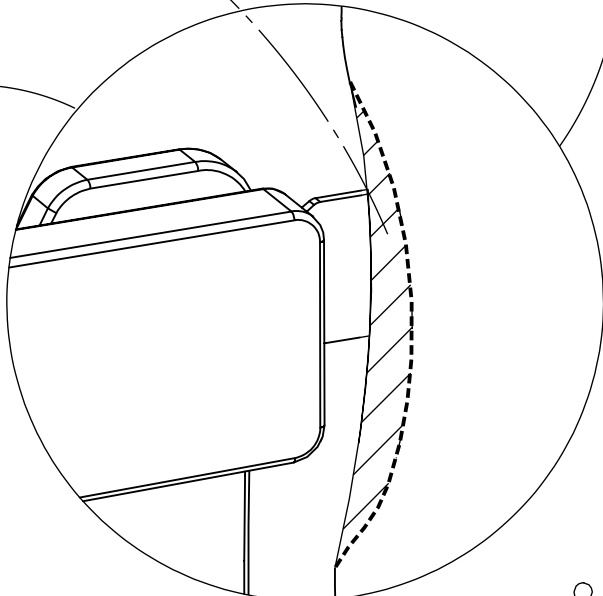
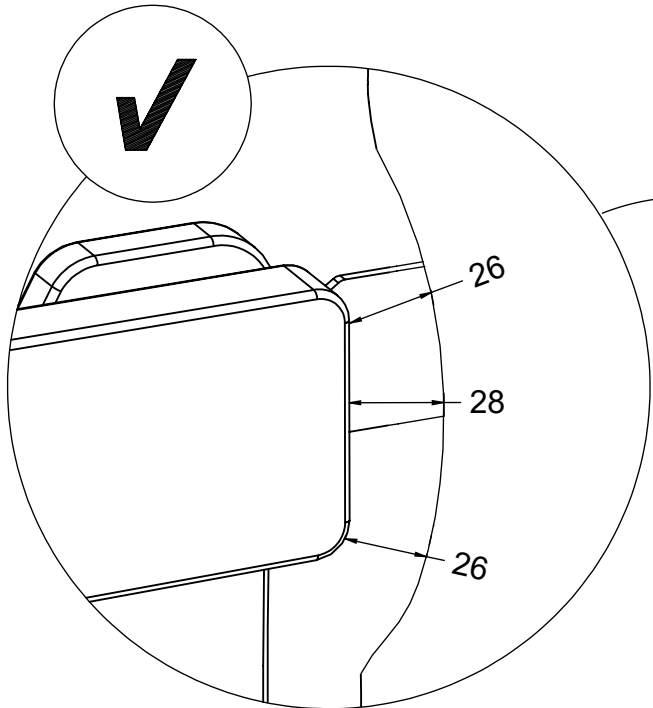
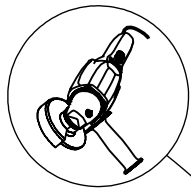
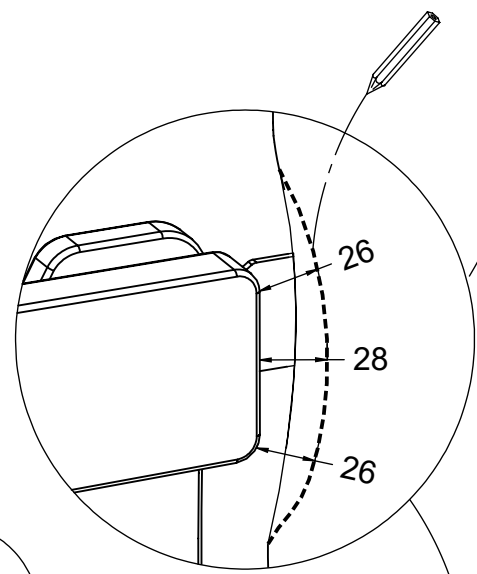
S > 97

L > 25mm **✓** L ≤ 25mm **X**



L > 25mm **✓**

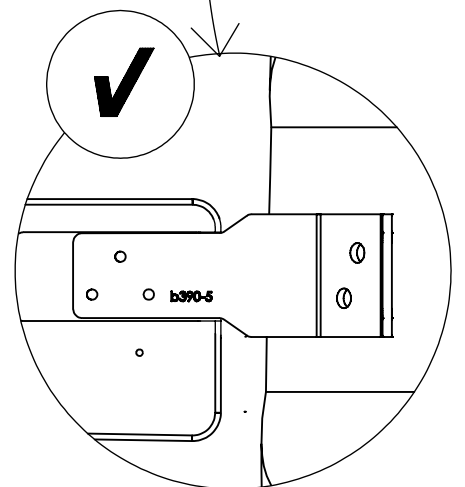
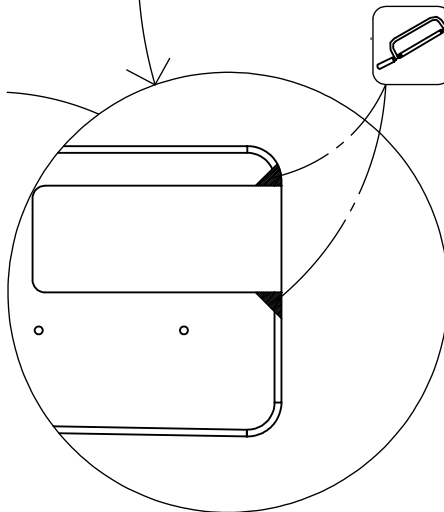
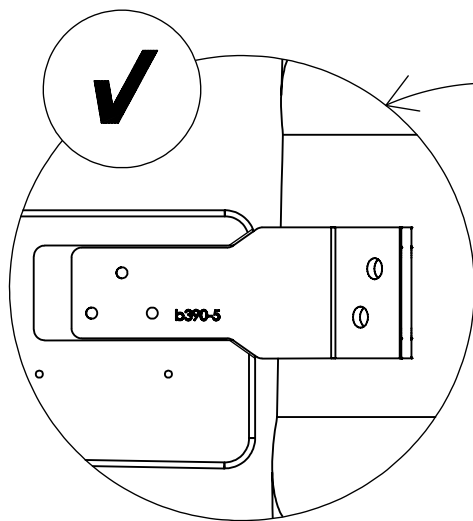
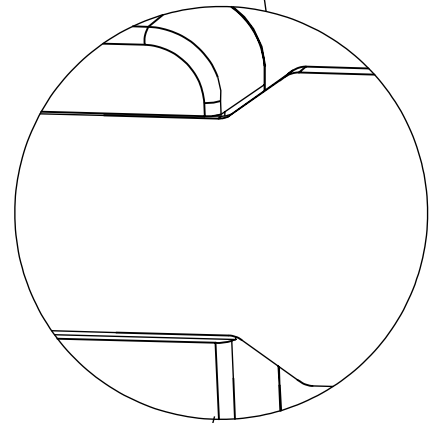
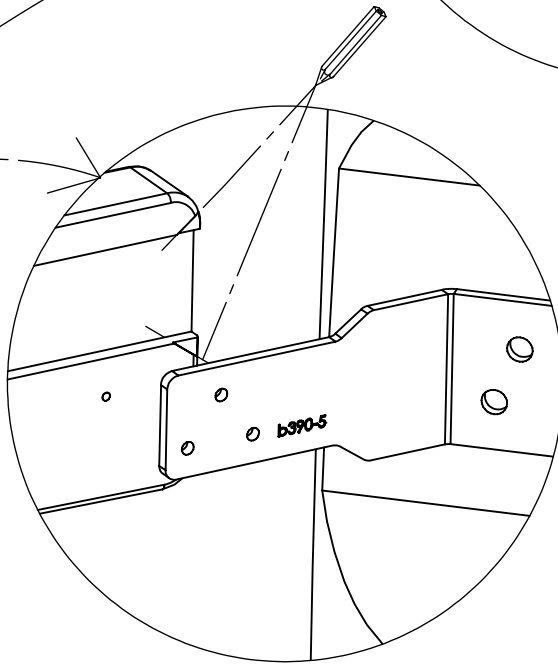
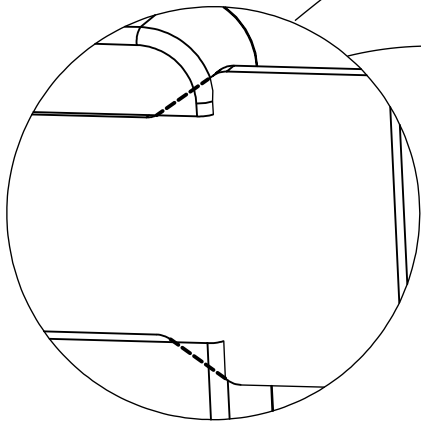
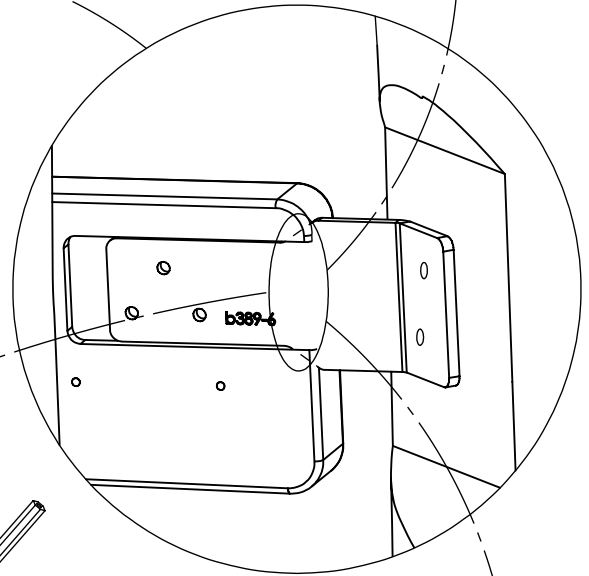
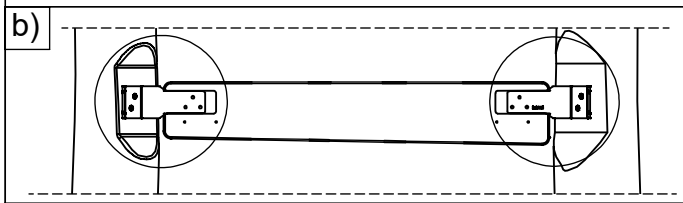
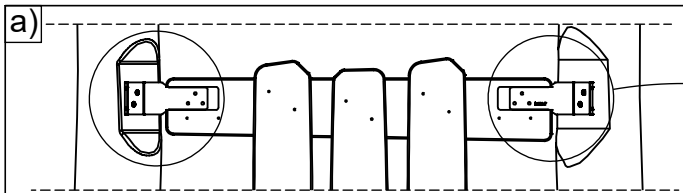
L ≤ 25mm **✓**



L > 25mm **✓** 

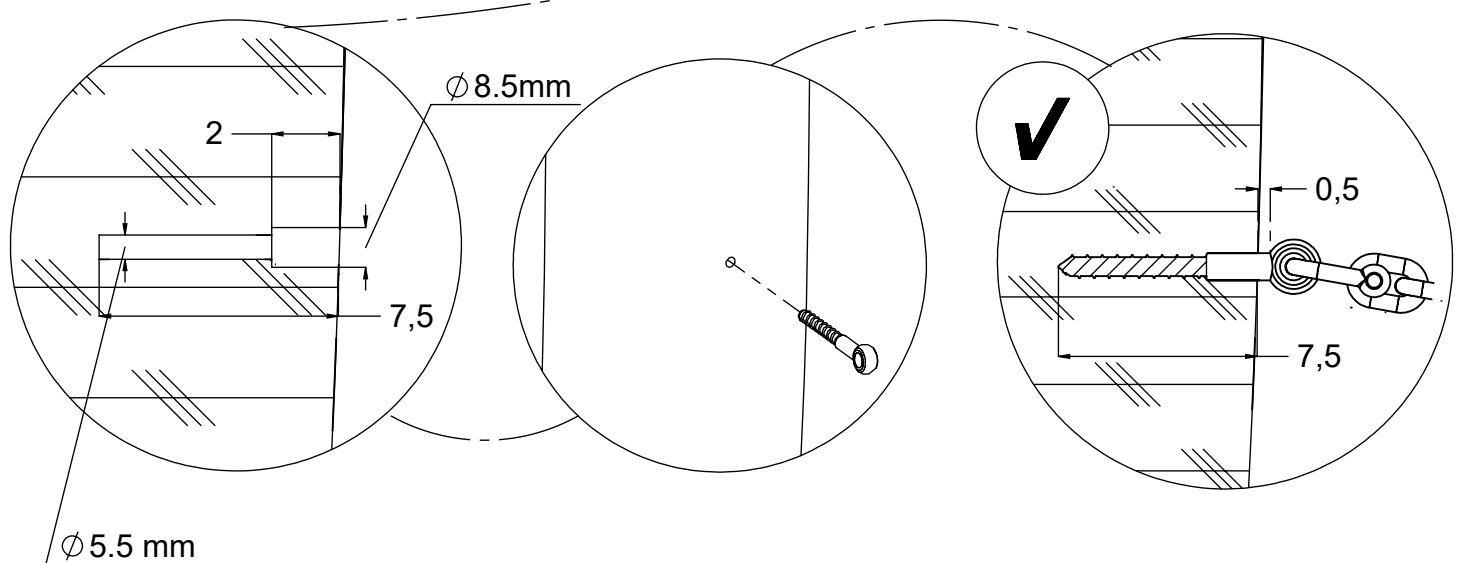
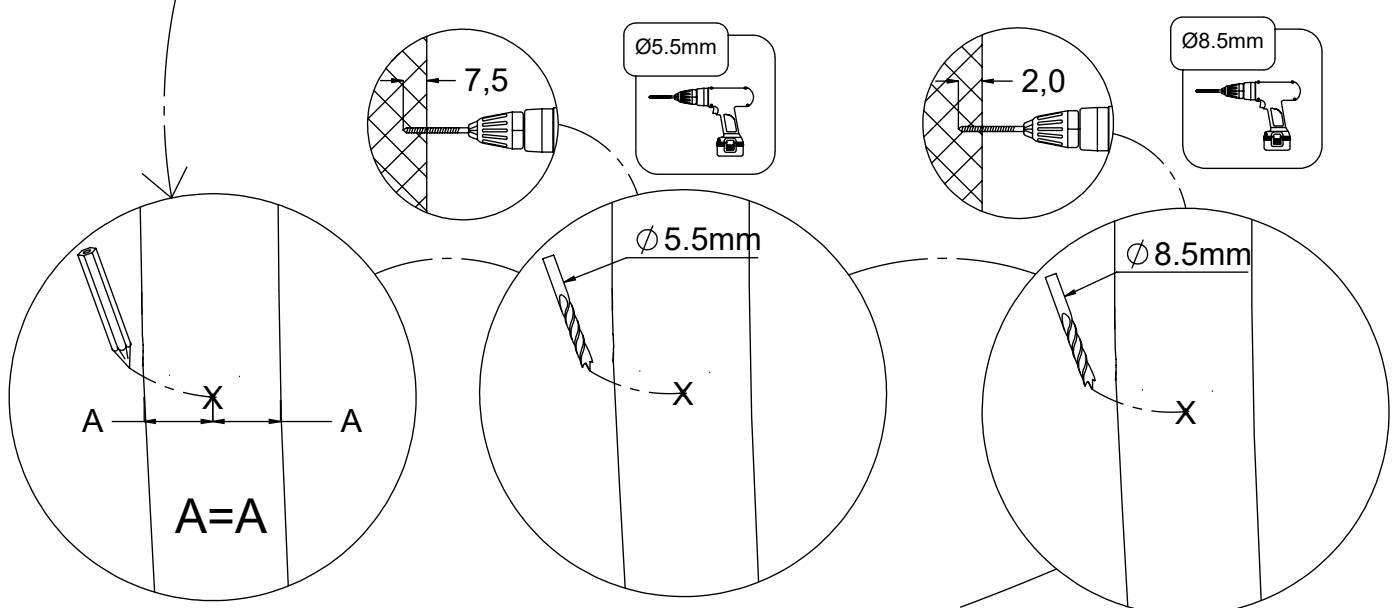
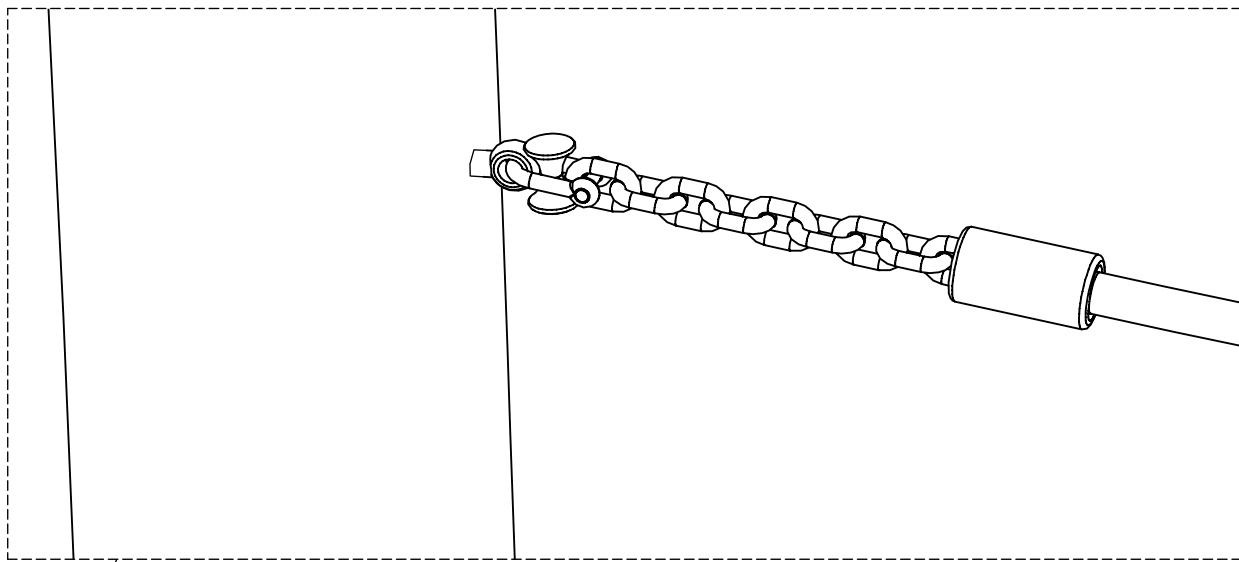
[cm]

vinci play



[cm]

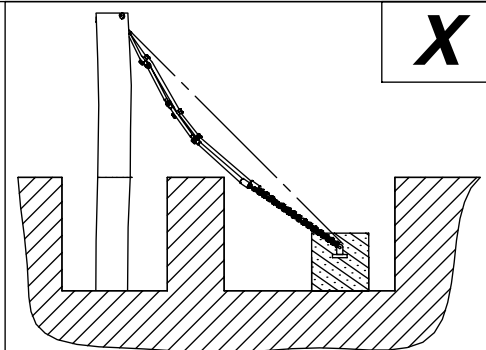
vinci
play



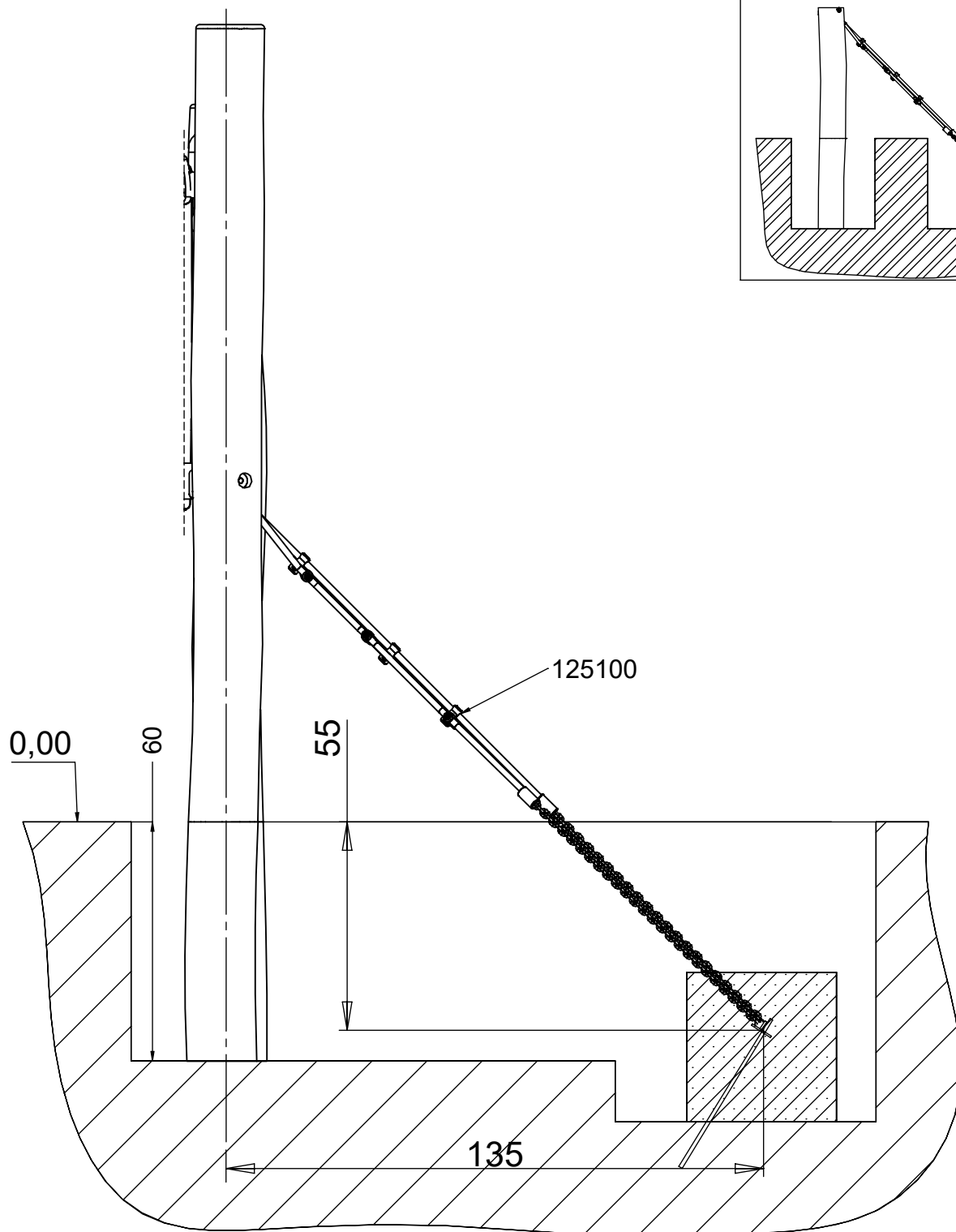
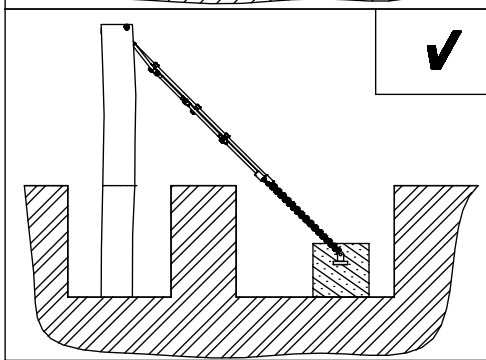
[cm]

vinci
play

X



✓



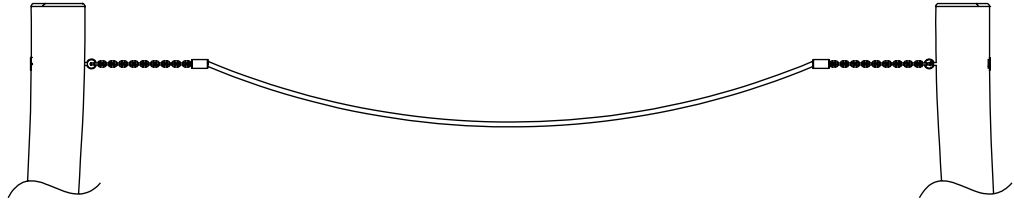
[cm]

vinci
play

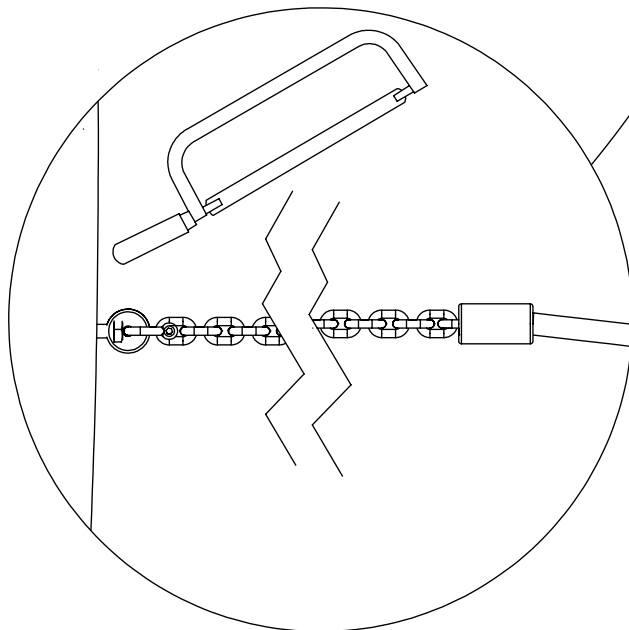
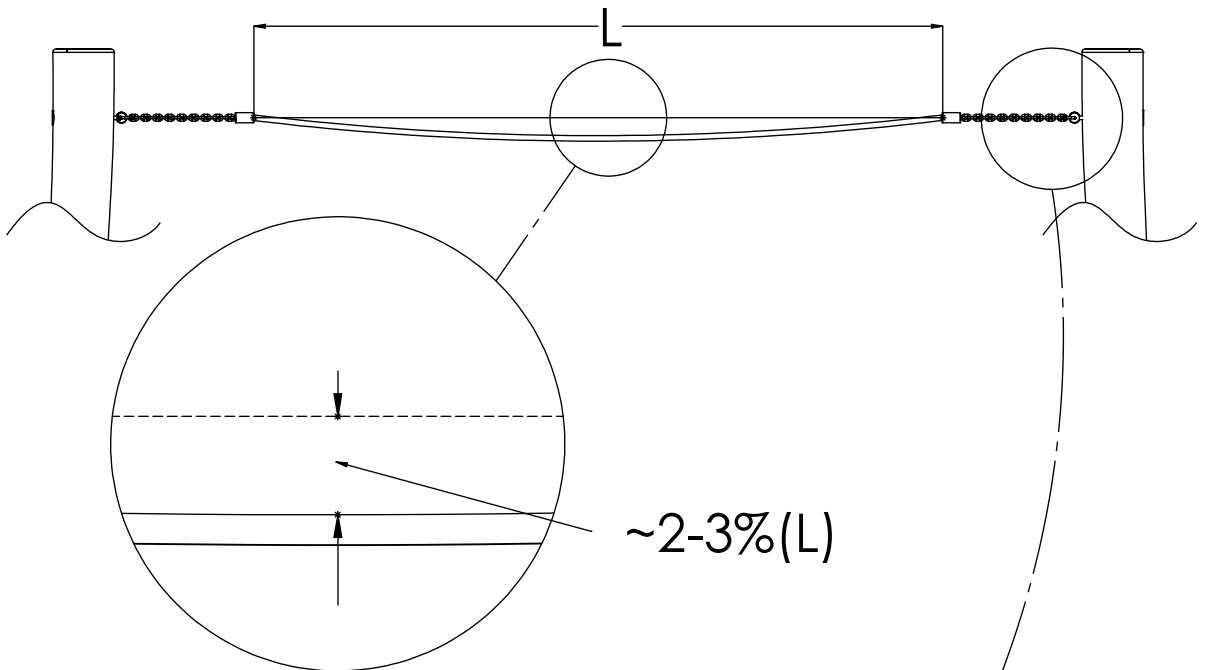
X

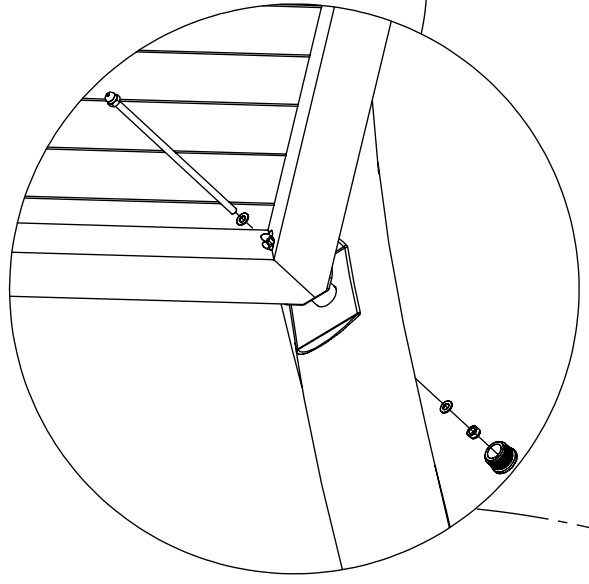
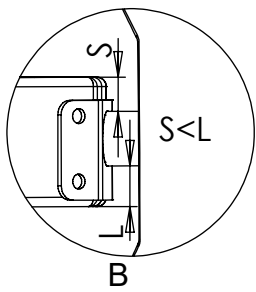
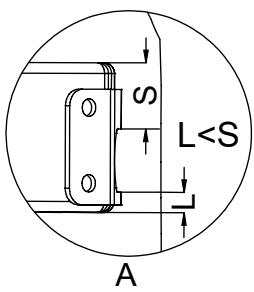
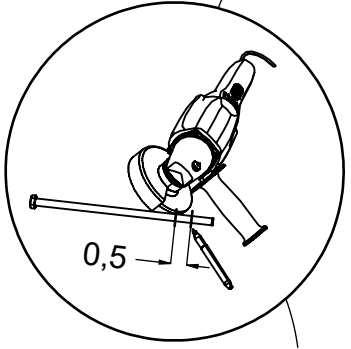
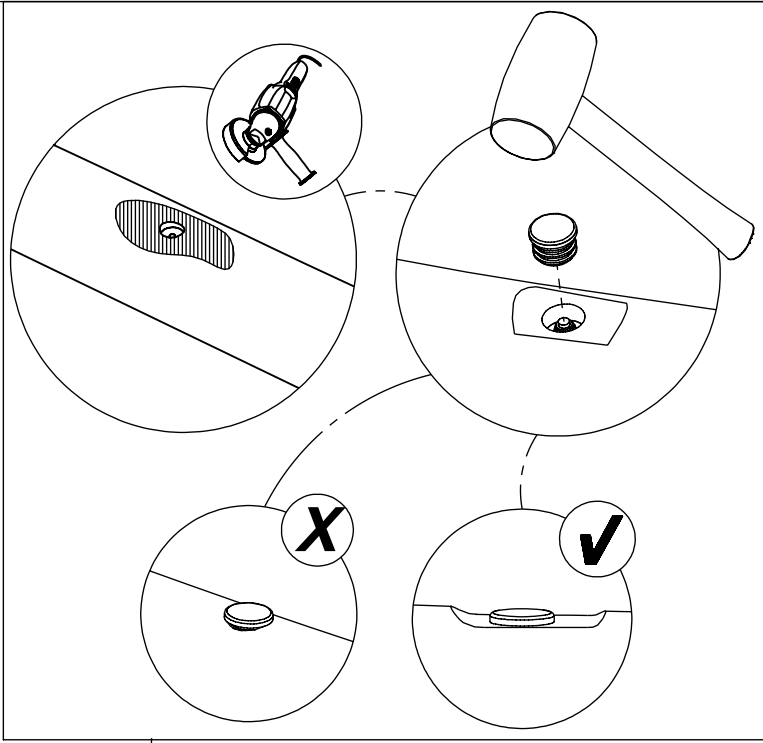
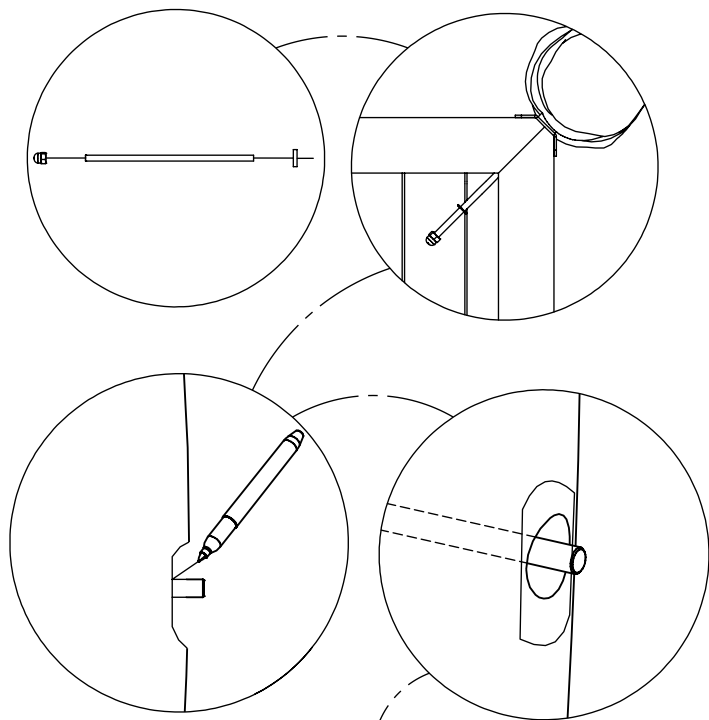


X



V





3x 12e004

127104

127103

127102

127108

127107

127105

127111

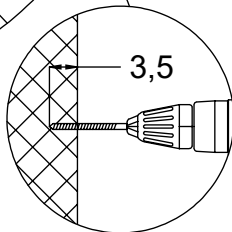
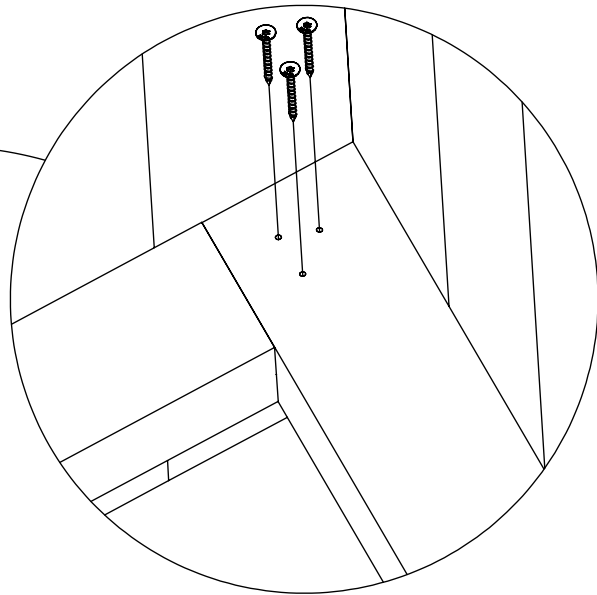
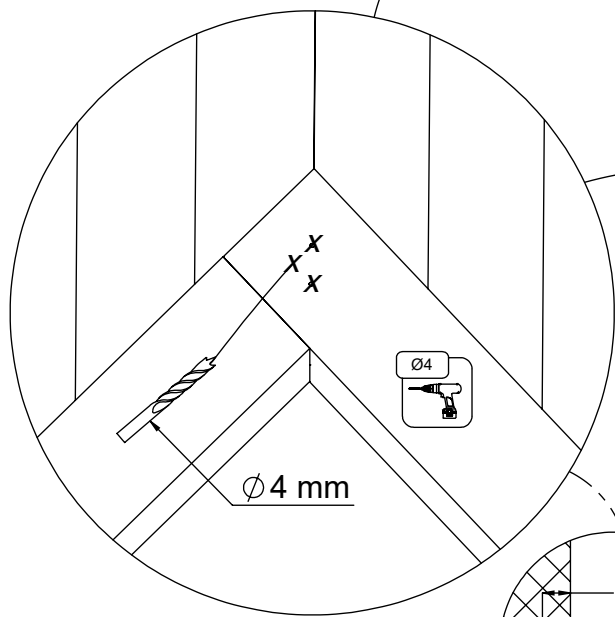
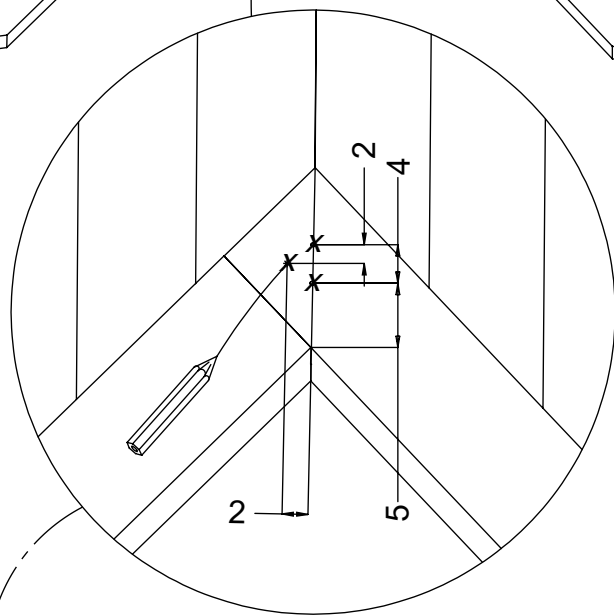
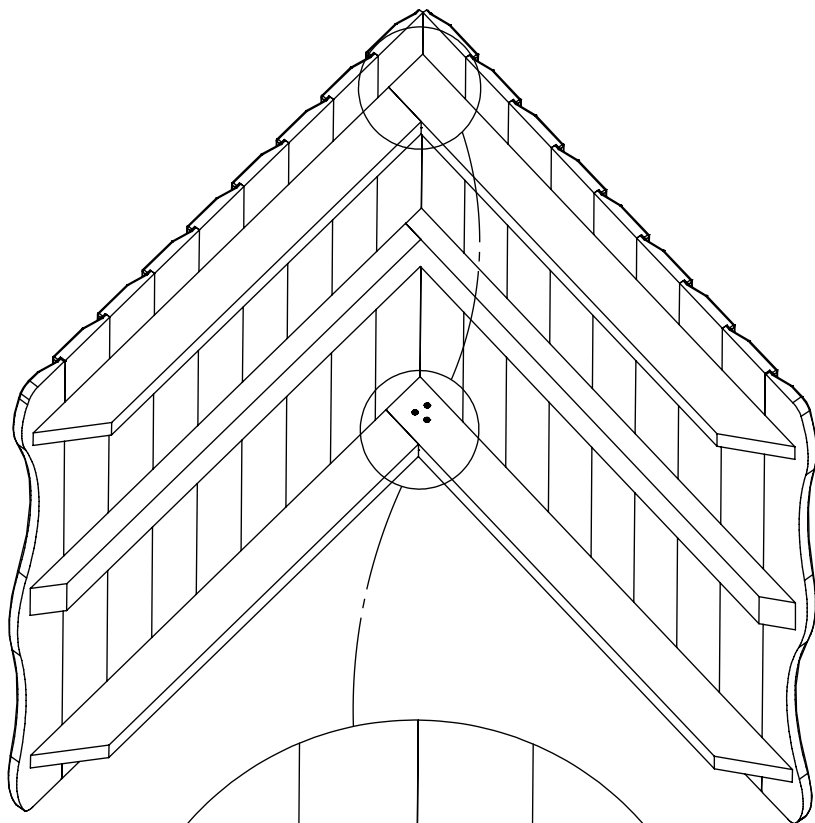
127110

127106

[cm]

vinci play

2x



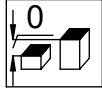
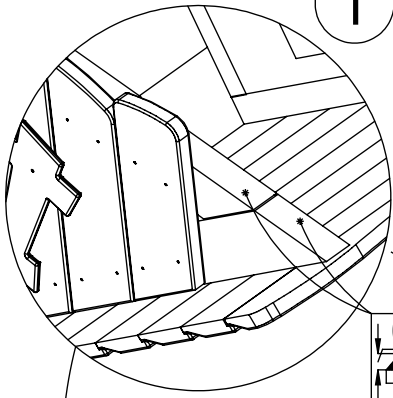
6x 7x35 sxi

[cm]

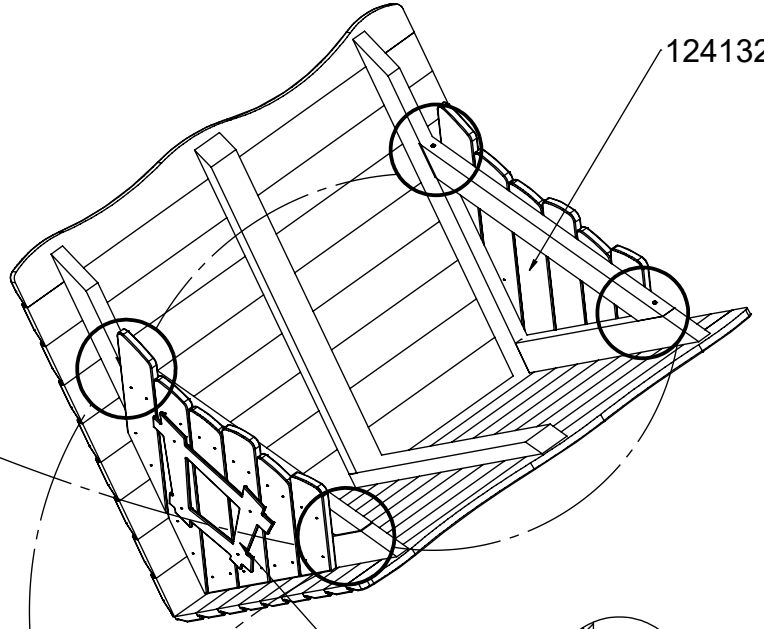
vinci
play

2x

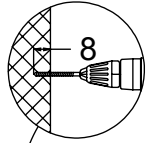
1



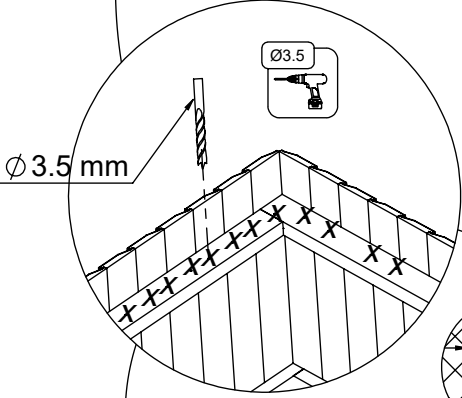
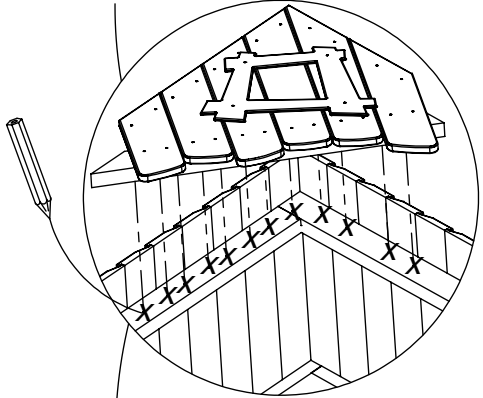
124132



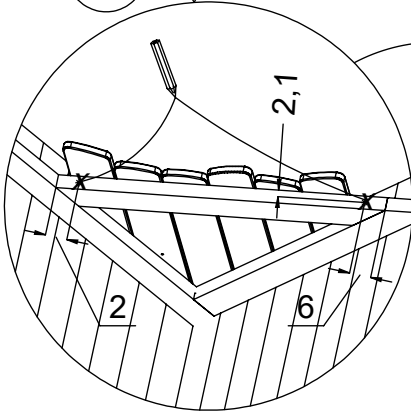
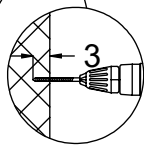
124135



2



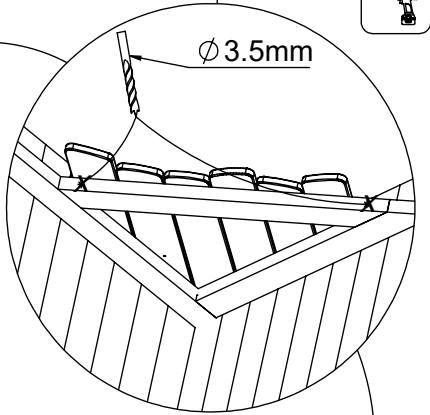
Ø 3.5 mm



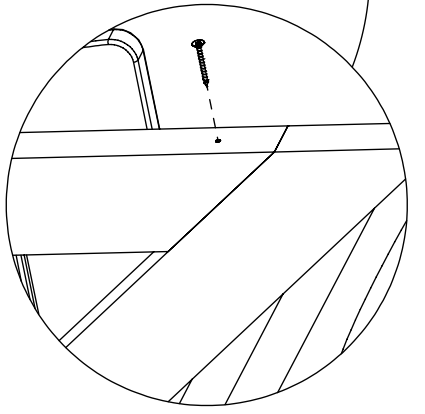
2,1

2

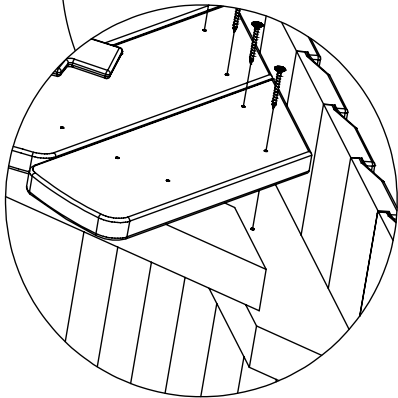
6



Ø 3.5 mm



4x 5x80sxs

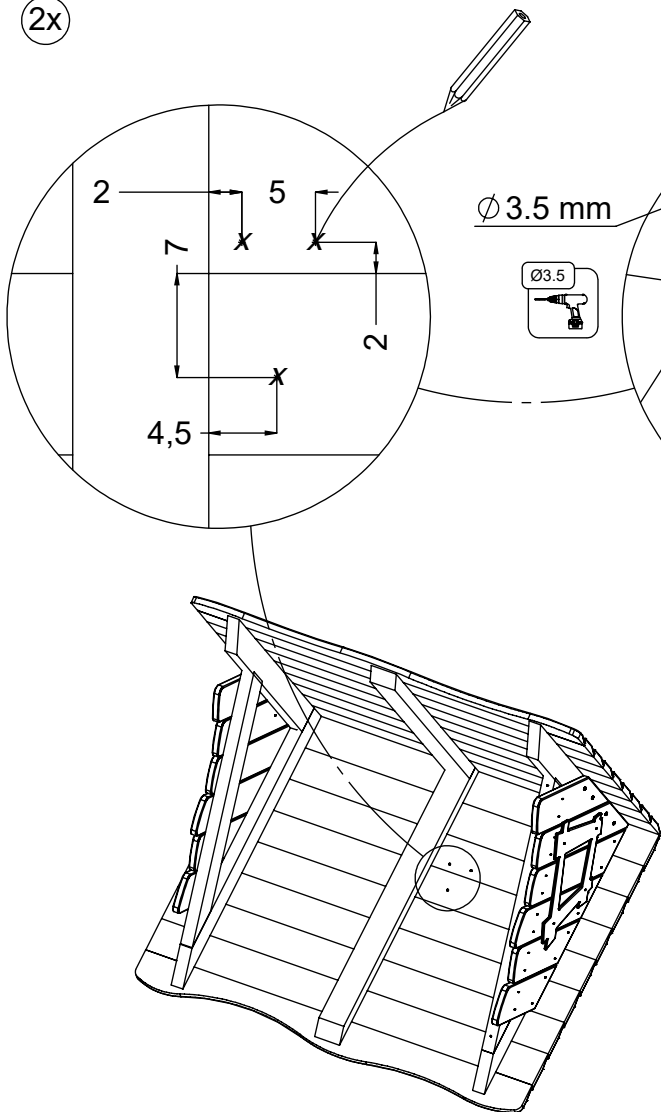


24x 5x50sxs

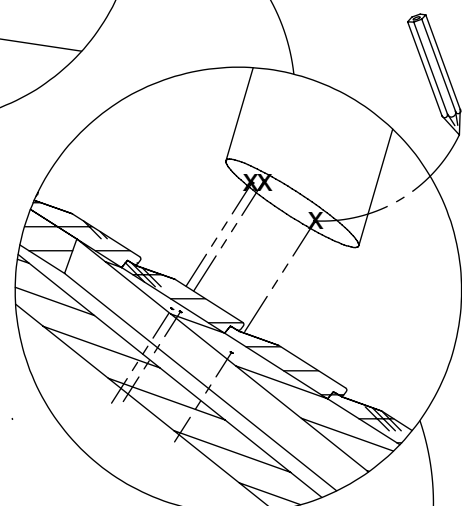
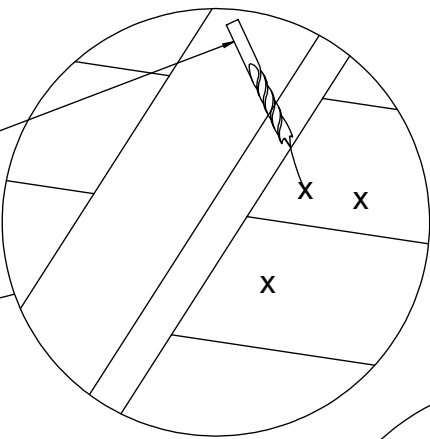
[cm]

vinci play

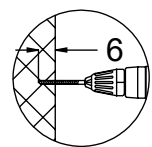
2x



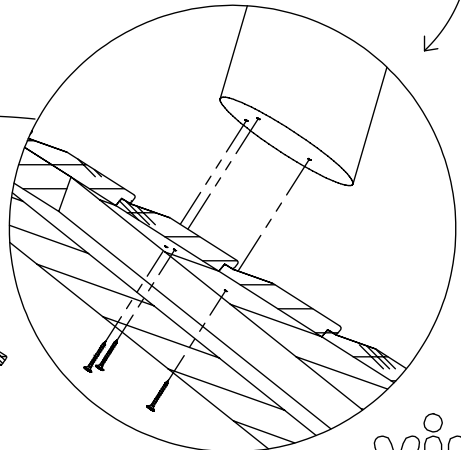
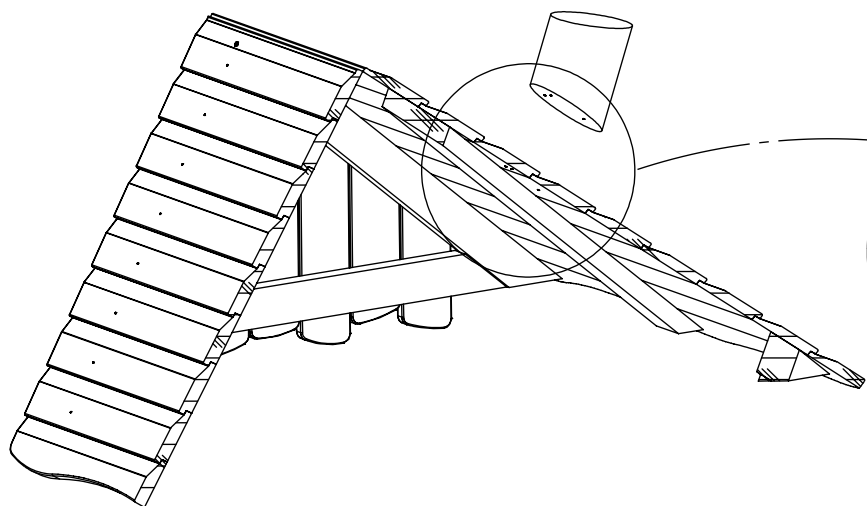
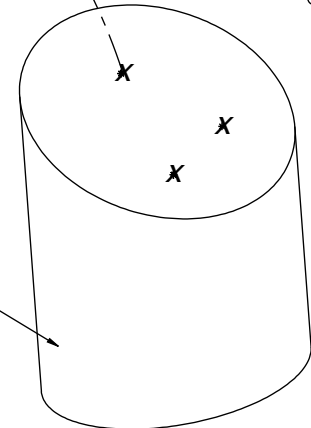
Ø 3.5 mm



Ø 3,5mm



128172



3x 5x80 sxs

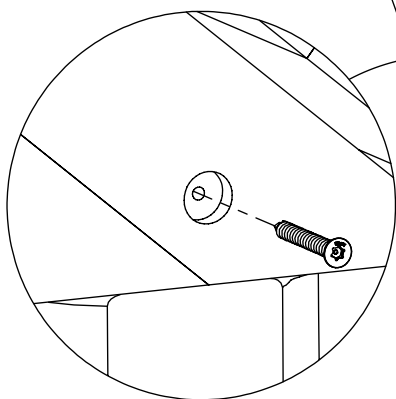
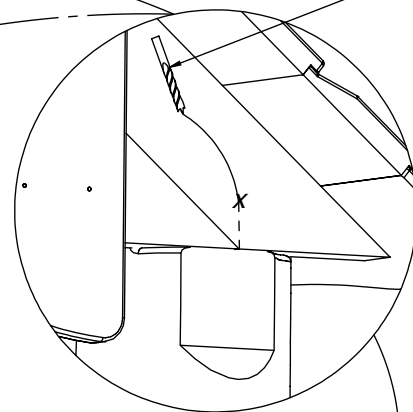
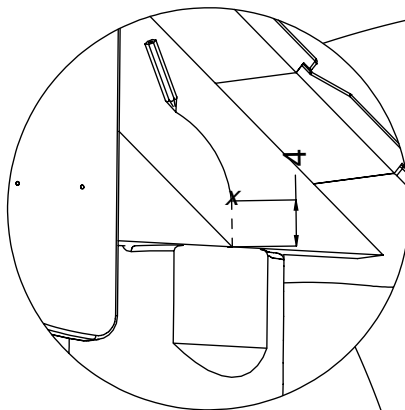
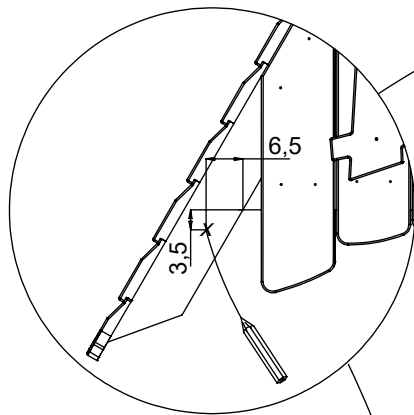
vinci play

[cm]

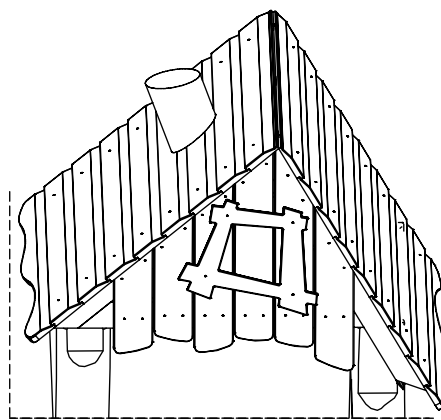
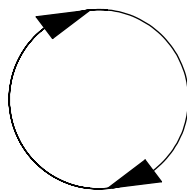
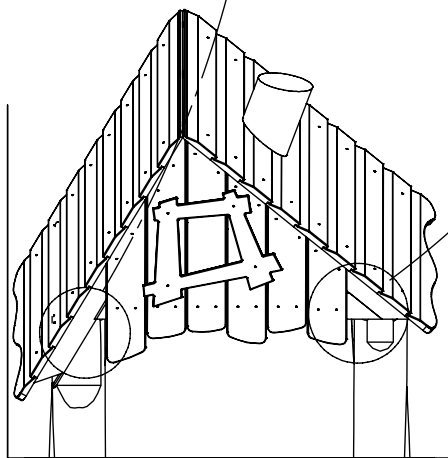
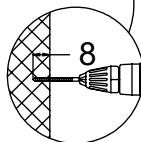
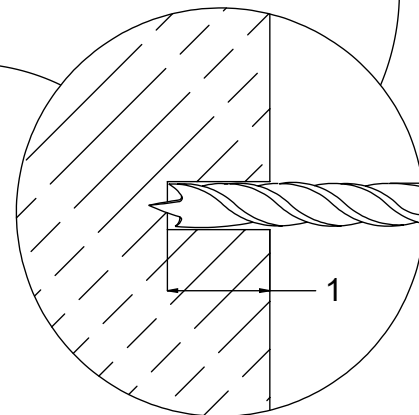
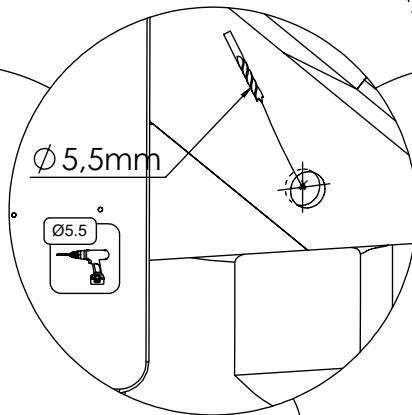
2x



Ø24 mm



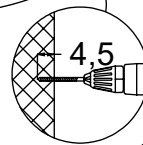
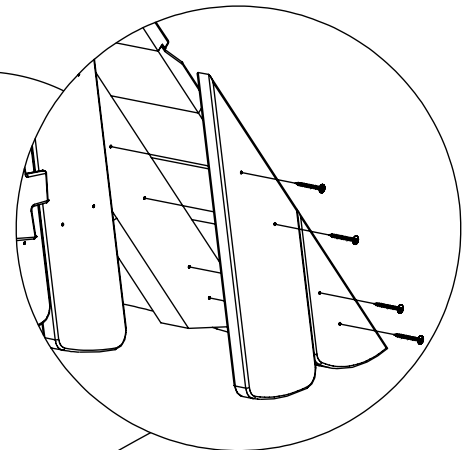
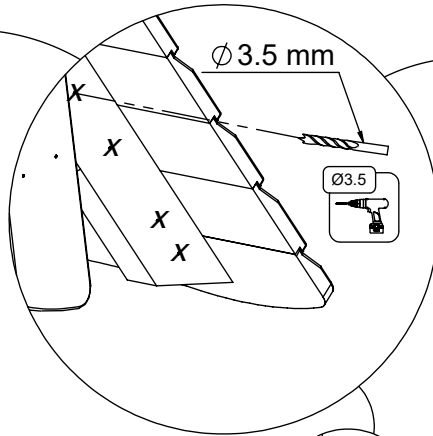
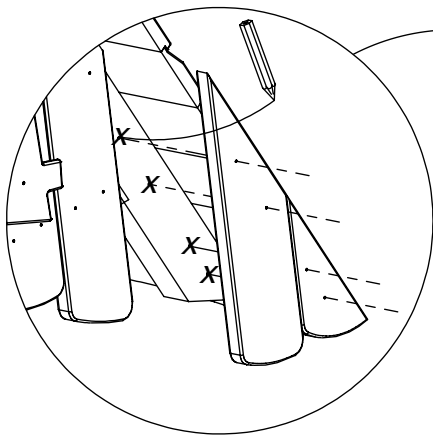
4x 8x80sxt



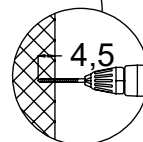
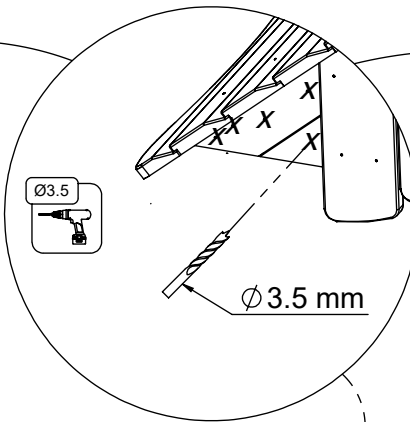
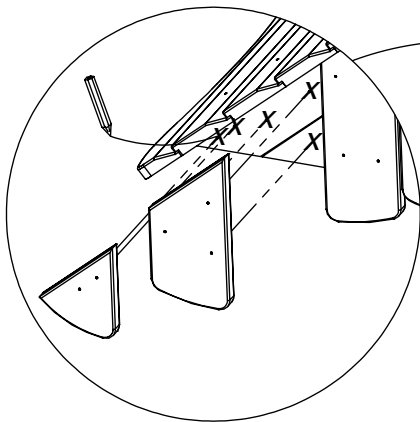
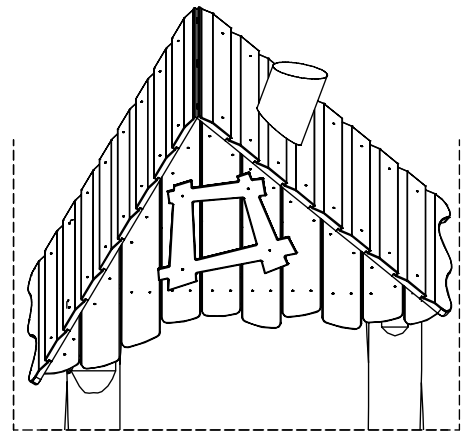
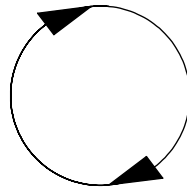
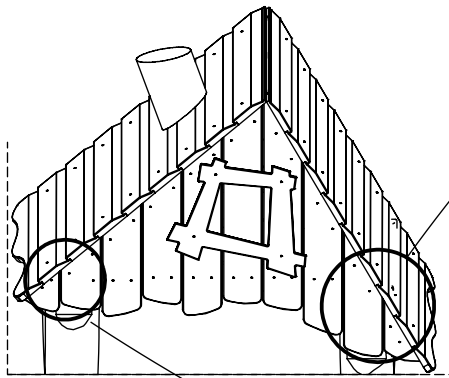
[cm]

vinci
play

2x



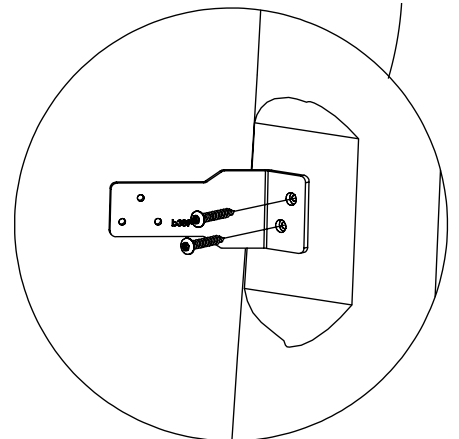
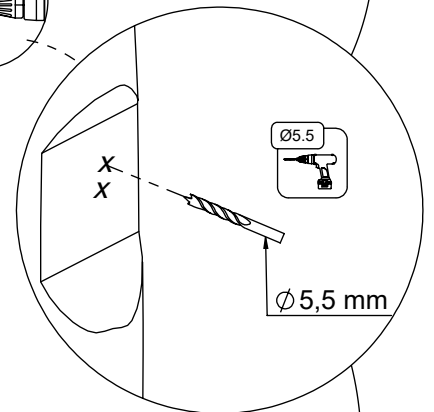
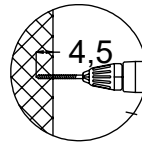
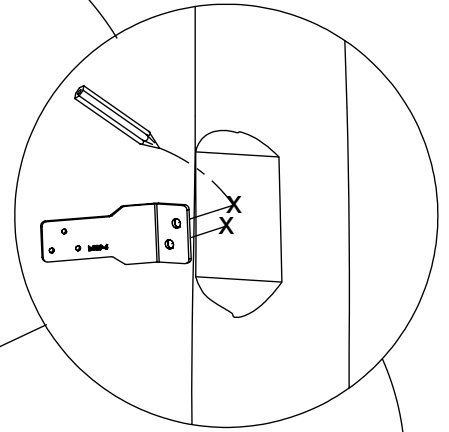
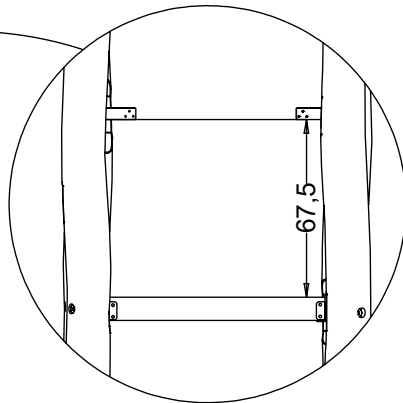
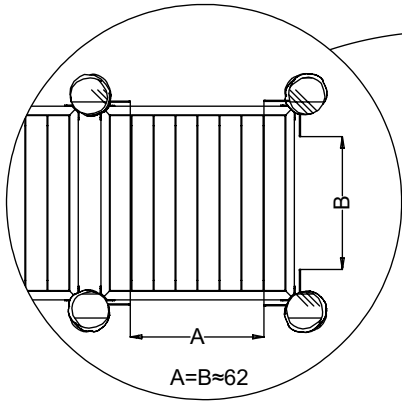
8x 5x50sxs



10x 5x50sxs

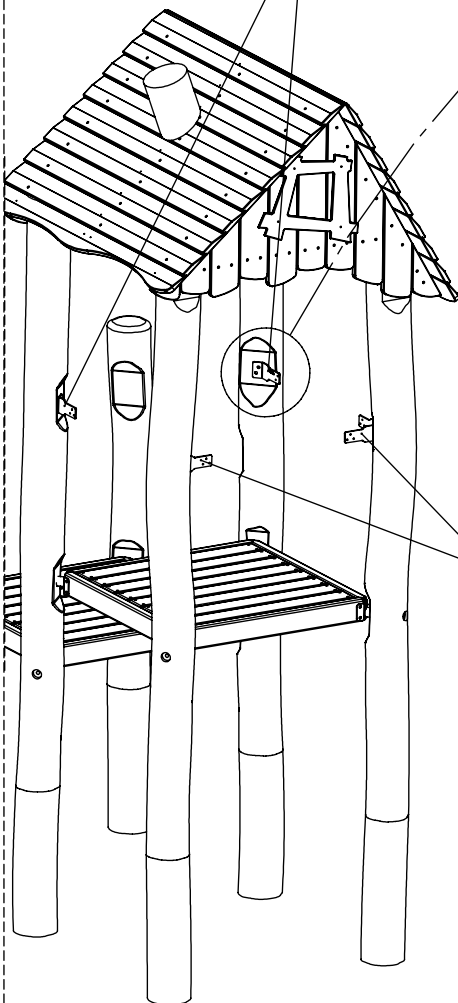
[cm]

vinci
play



8x 8x50sxi

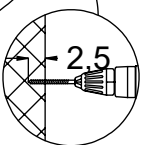
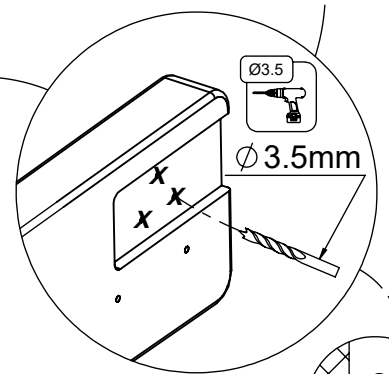
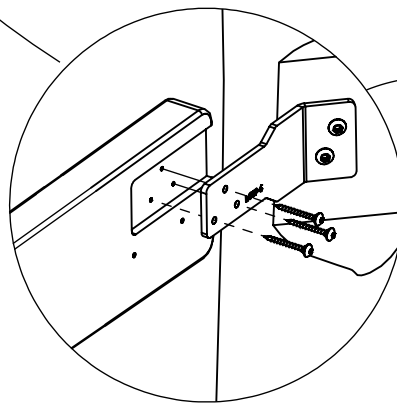
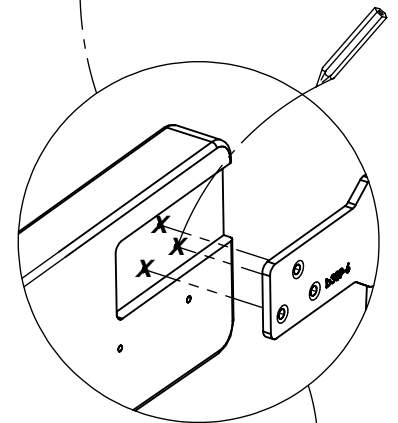
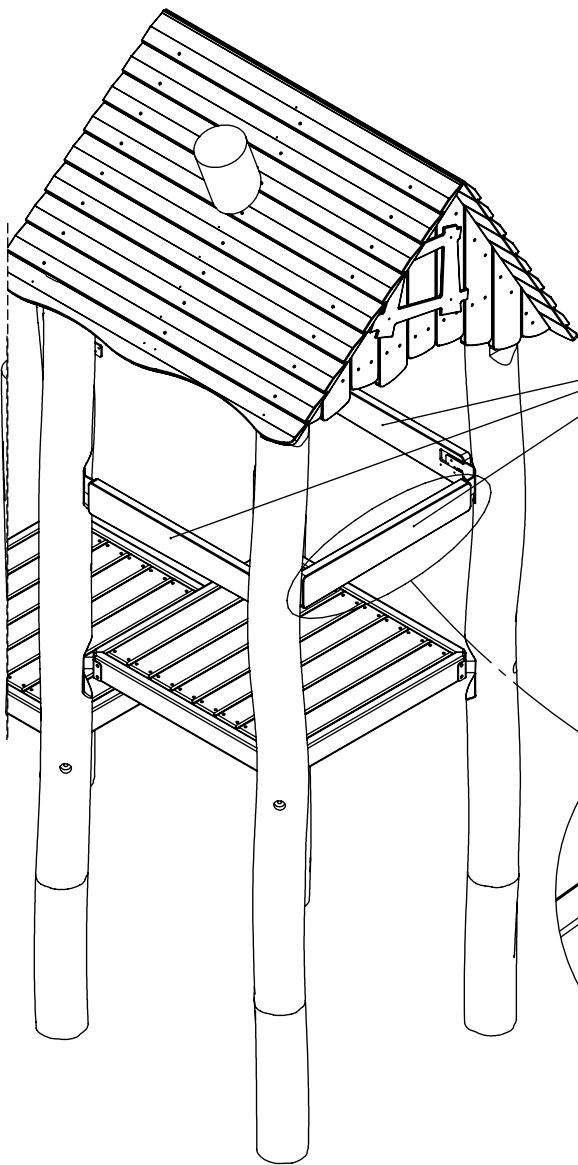
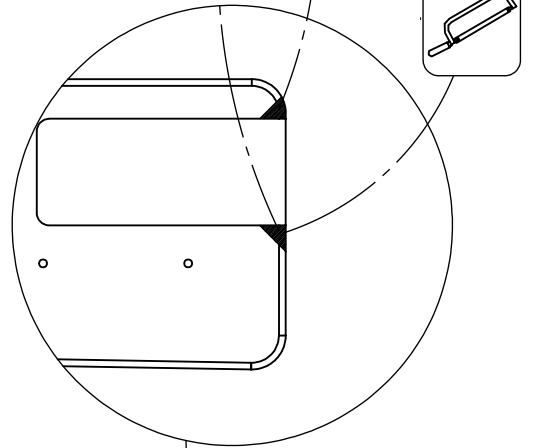
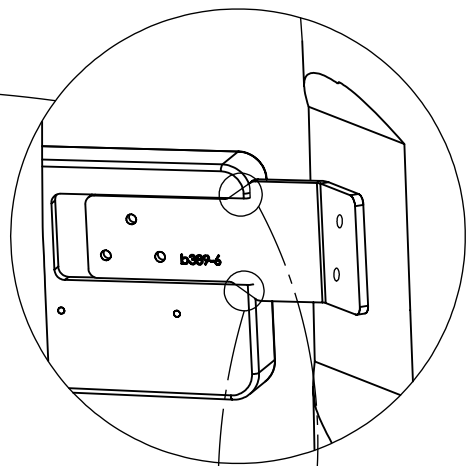
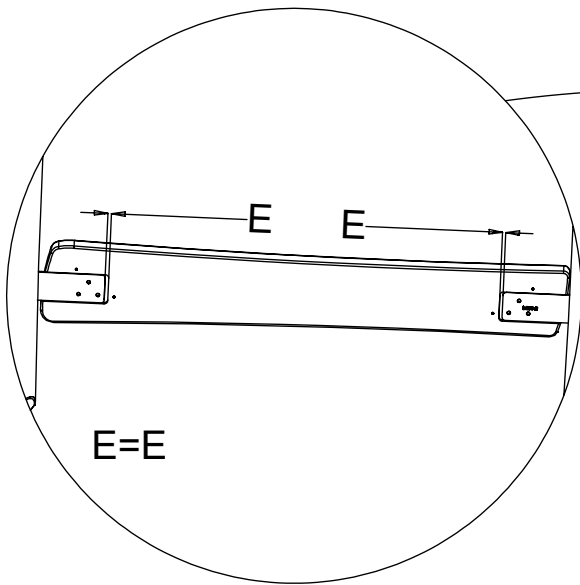
2x b389

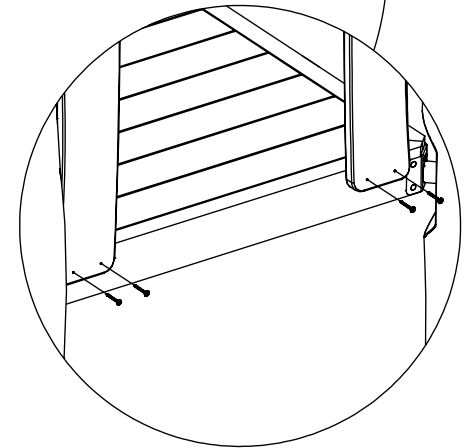
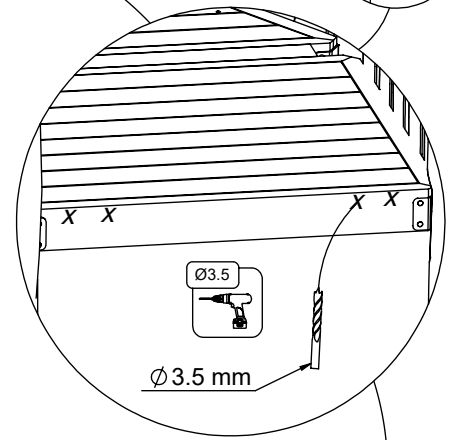
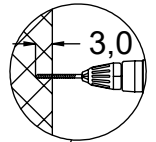
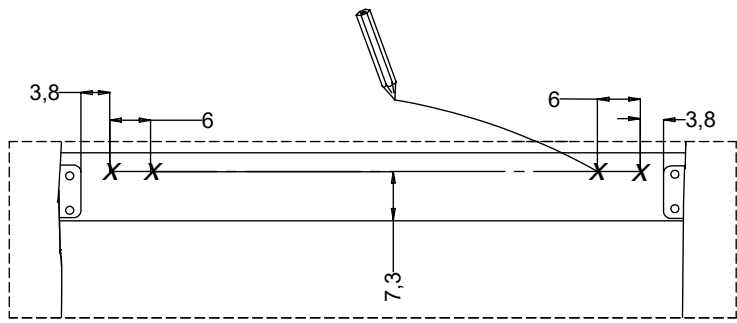


2x b390

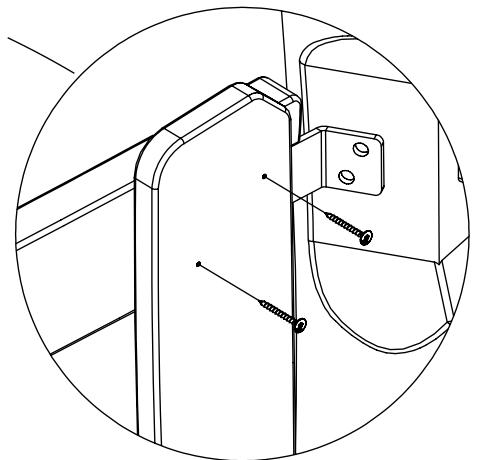
[cm]

vinci
play

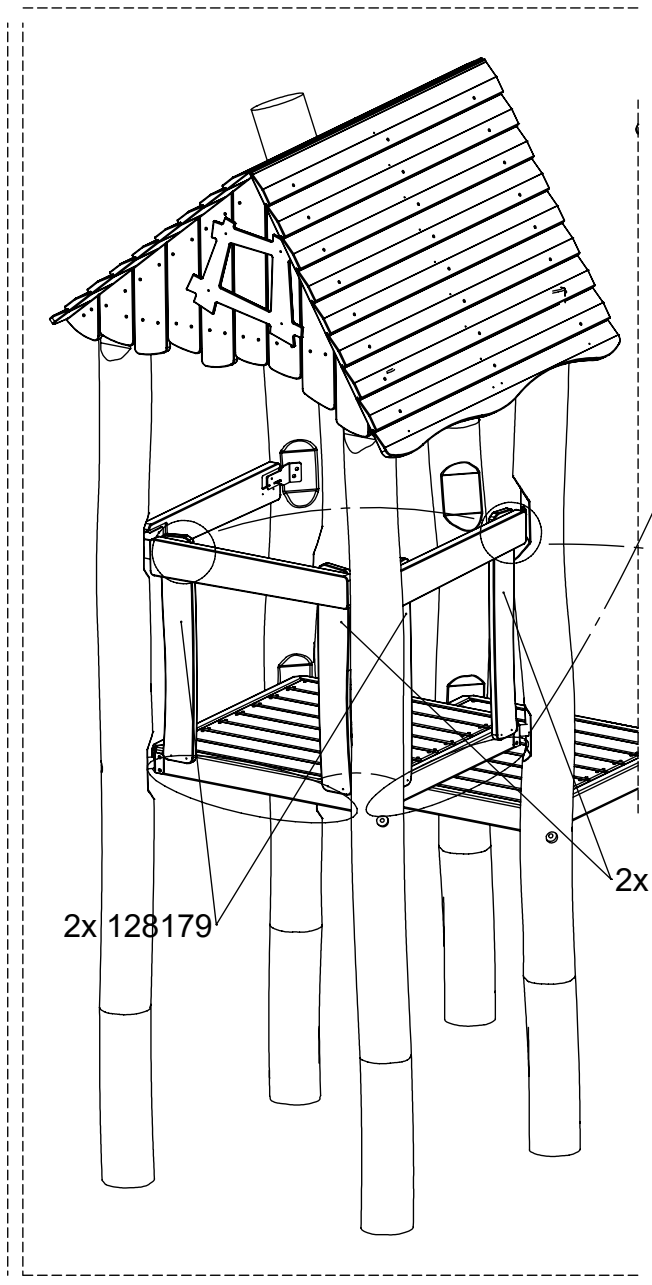




8x 5x50sxs



8x 5x50sxs

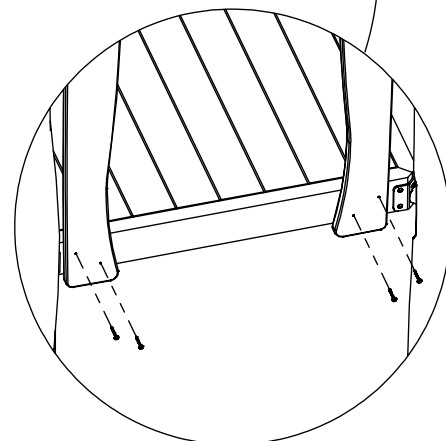
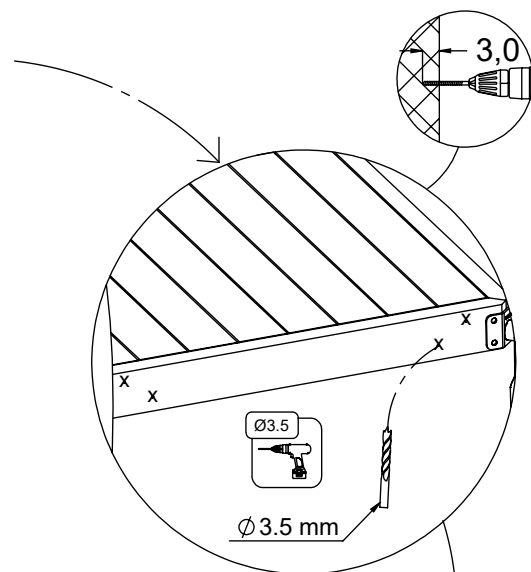
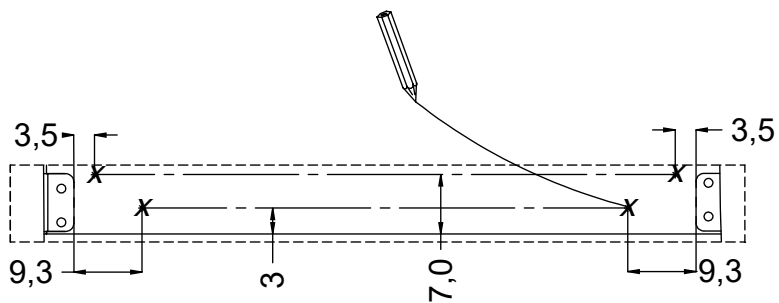


2x 128179

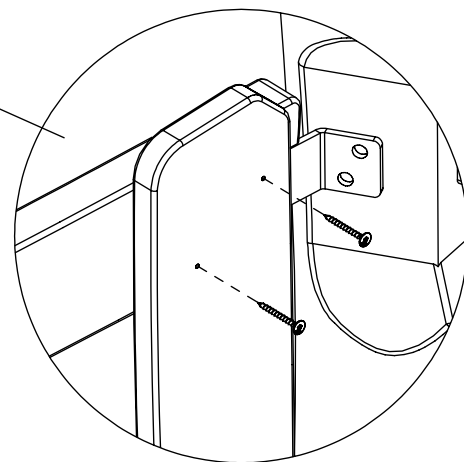
2x 128113

[cm]

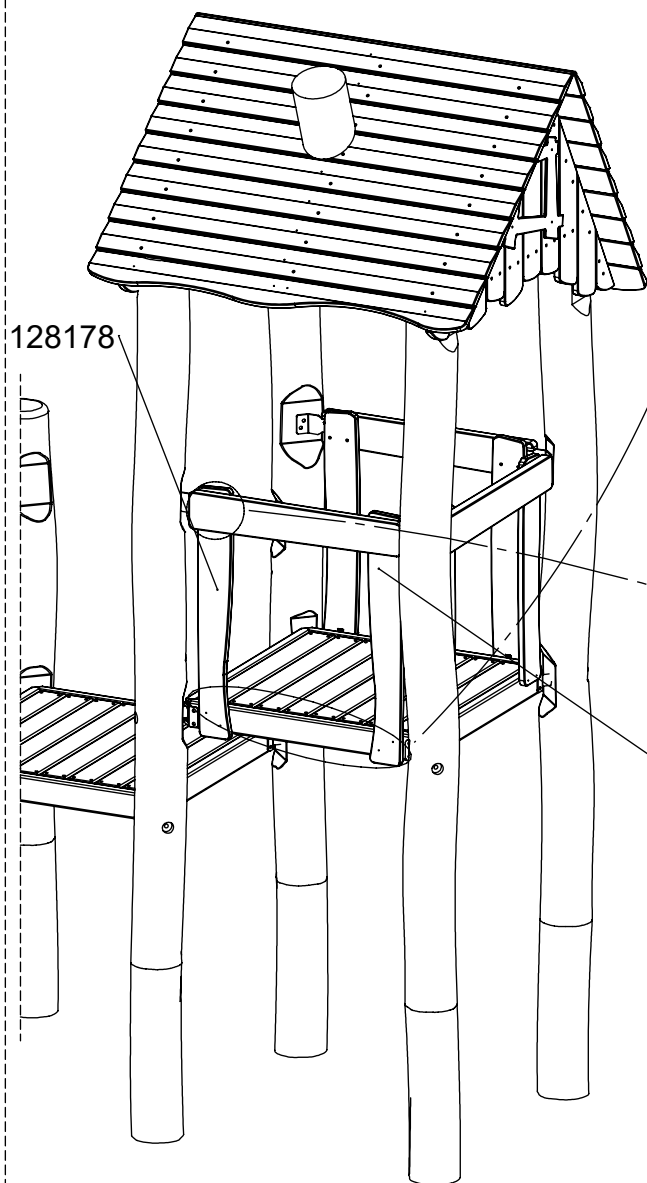
vinci
play



4x 5x50sxs

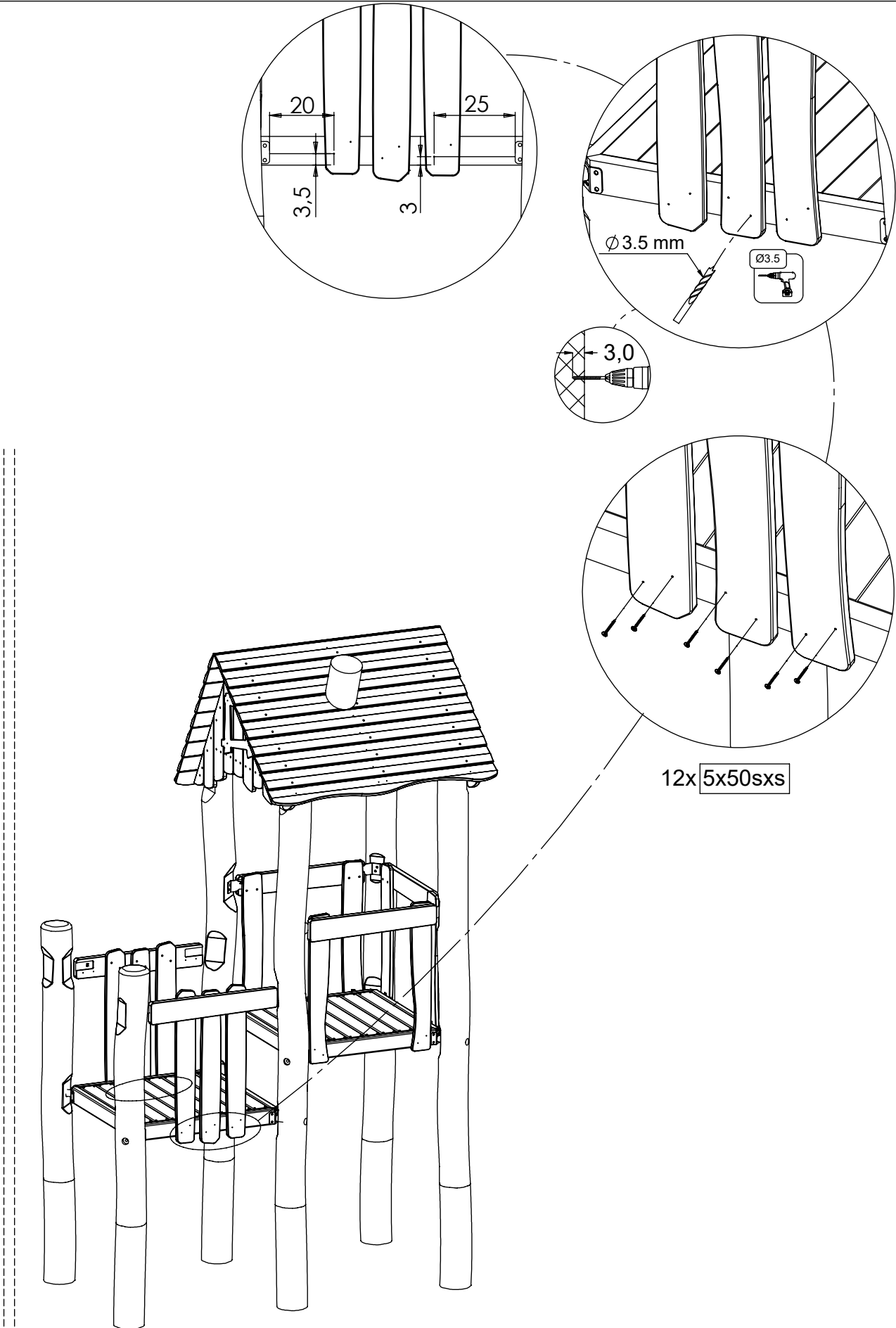


4x 5x50sxs

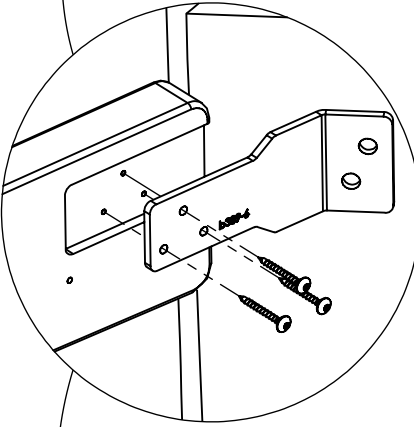
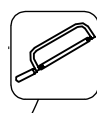
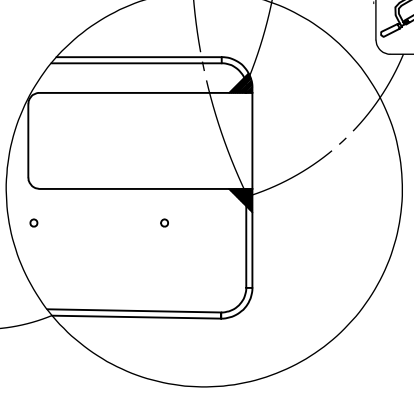
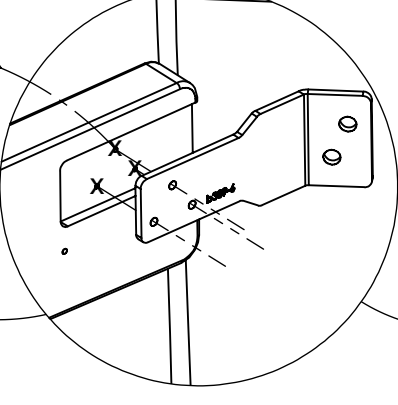
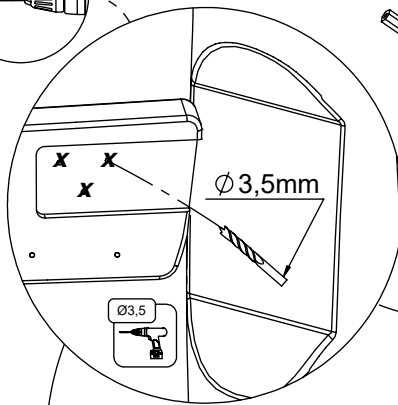
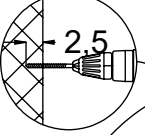
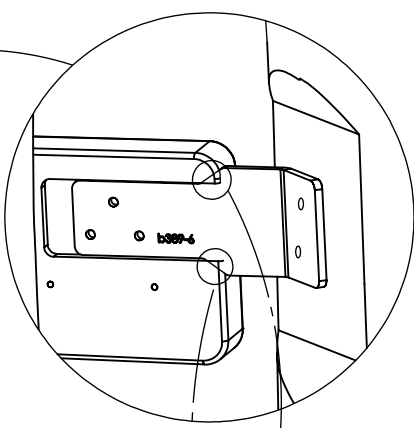
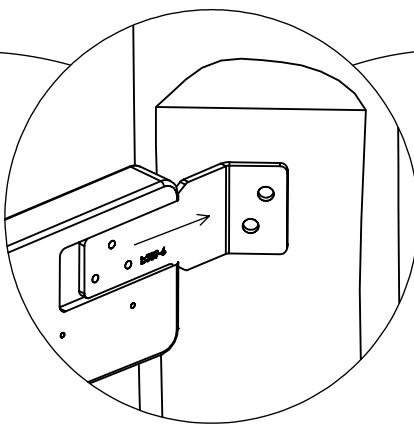
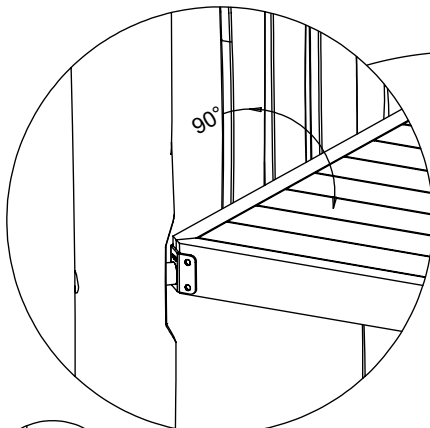


[cm]

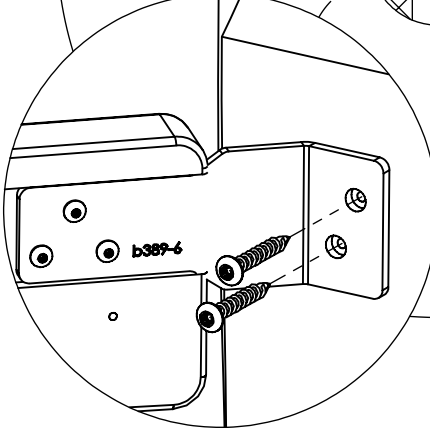
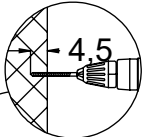
vinci
play



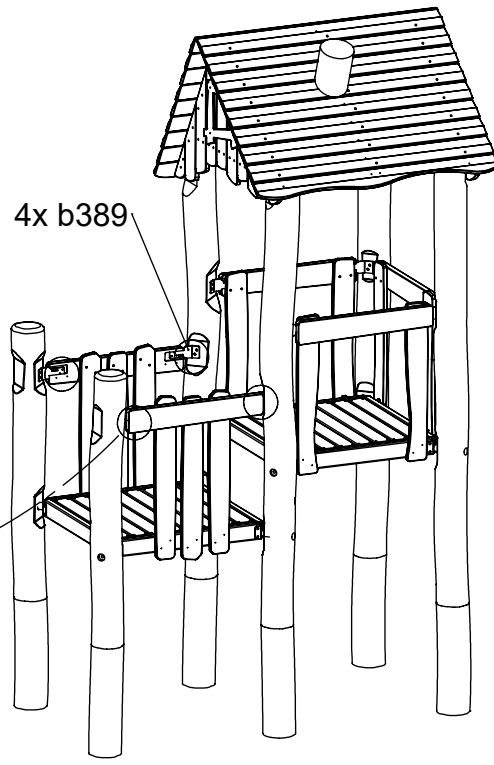
12x5x50sxs



12x 5x30sxs



8x 8x50sxi

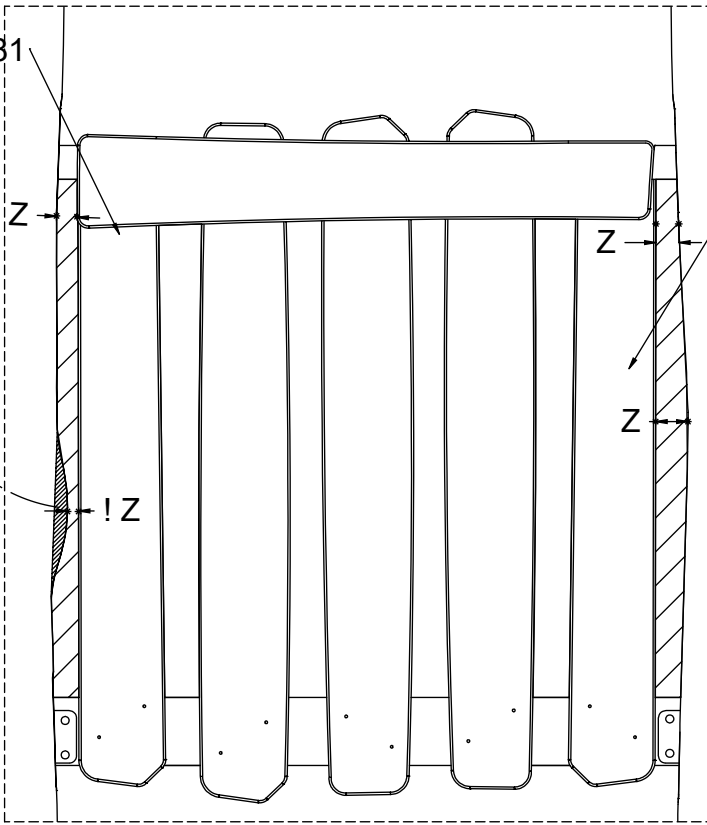


[cm]

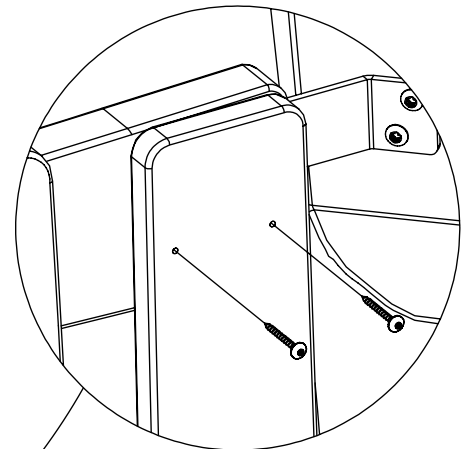
vinci play

2x 128181

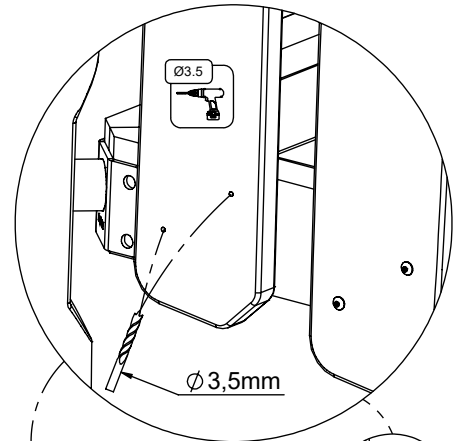
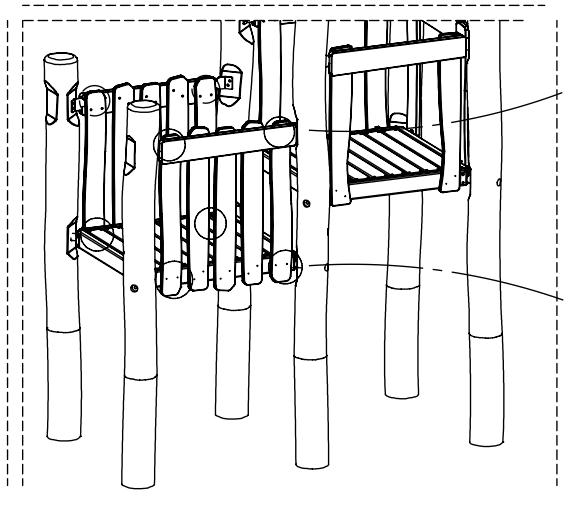
2x 128181



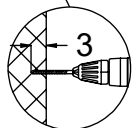
! 30mm < Z < 85mm



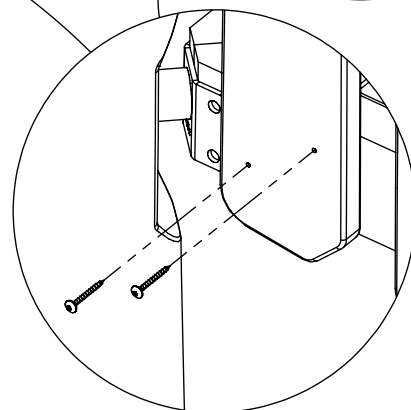
8x 5x50sxs



Ø 3,5mm



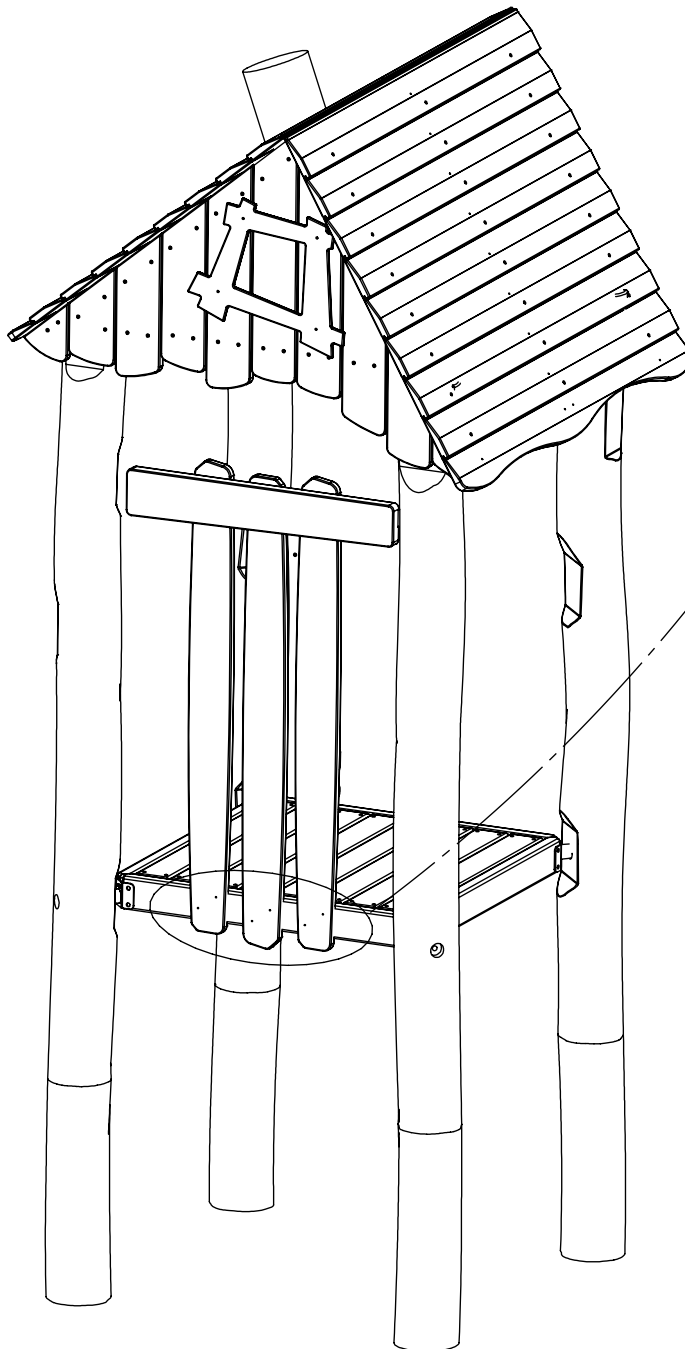
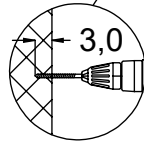
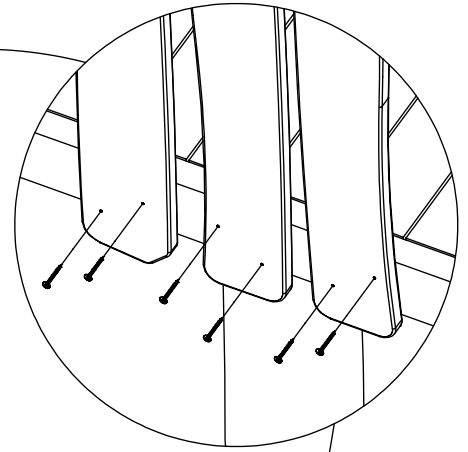
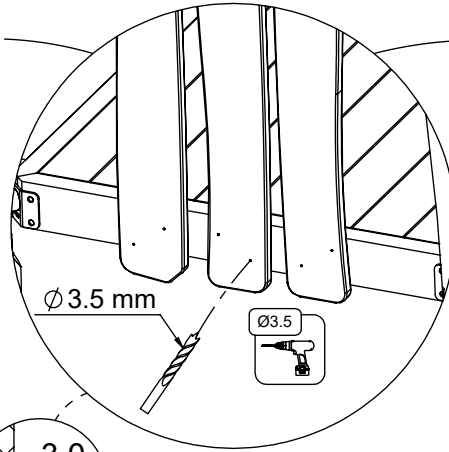
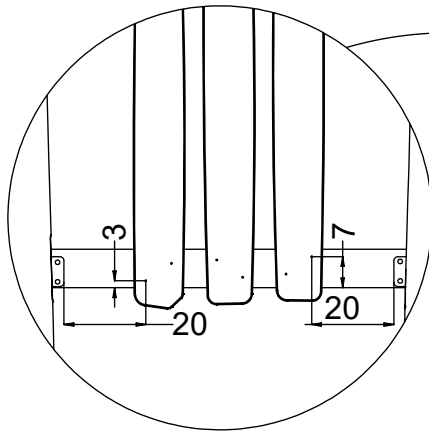
3



8x 5x50sxs

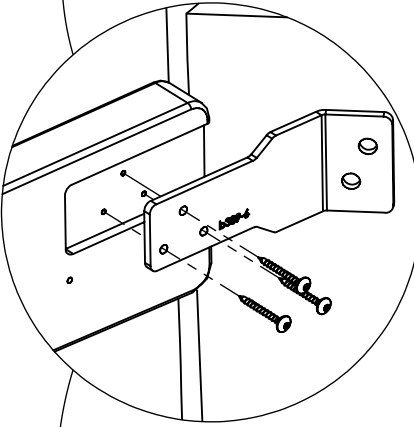
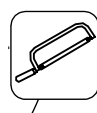
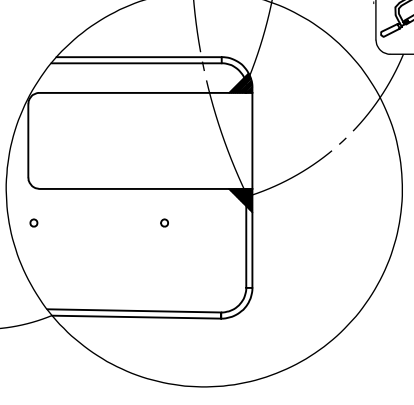
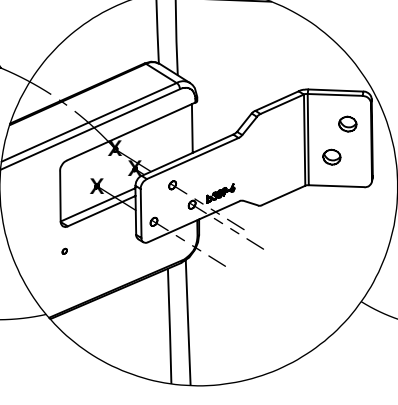
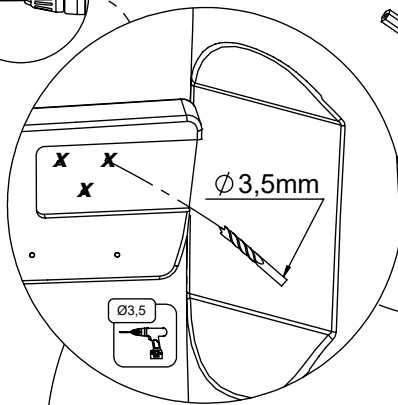
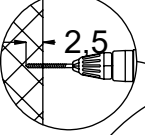
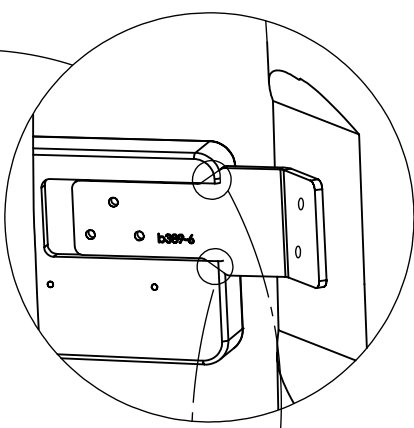
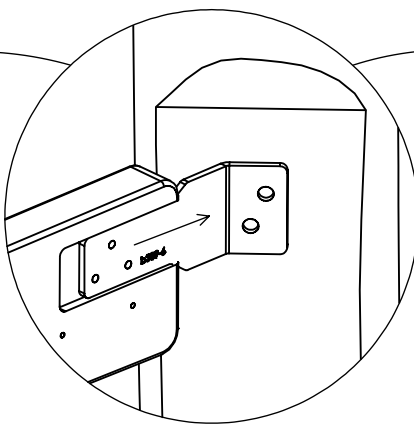
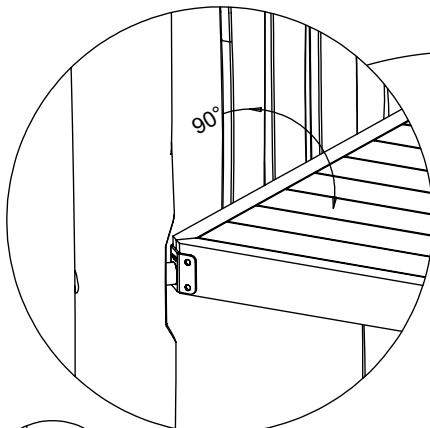
[cm]

vinci play

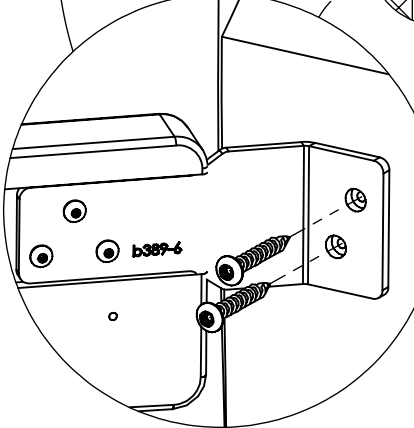
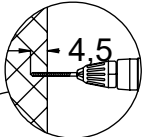


[cm]

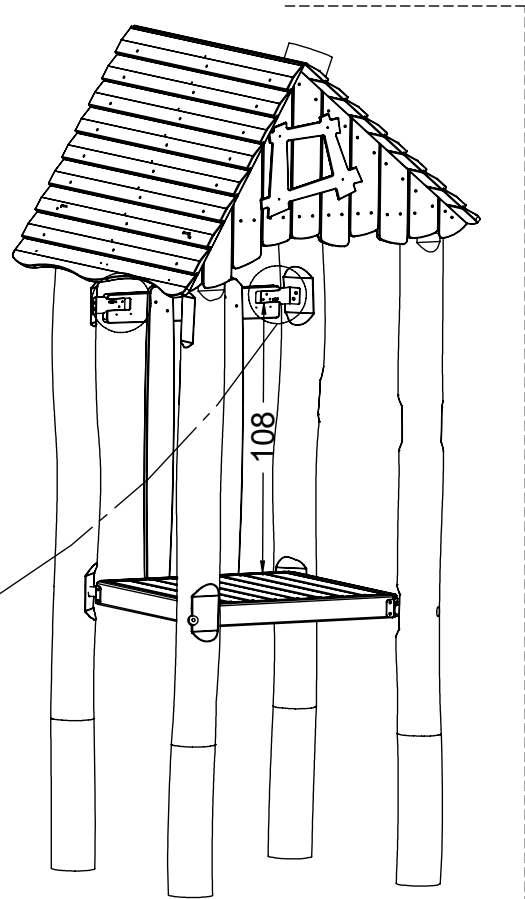
vinci
play



6x 5x30sxs



4x 8x50sxi

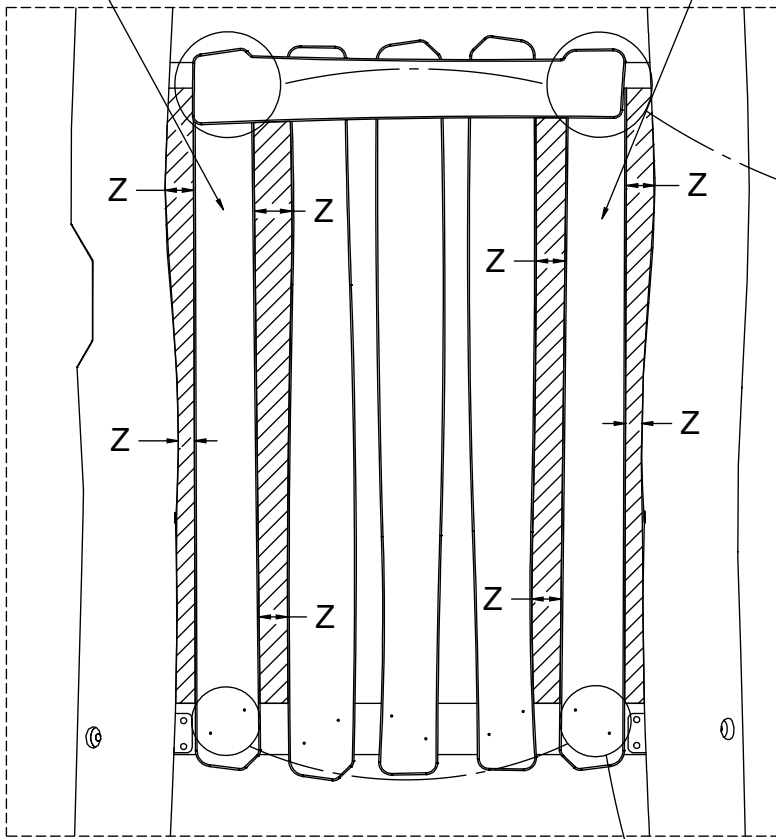


vinci play

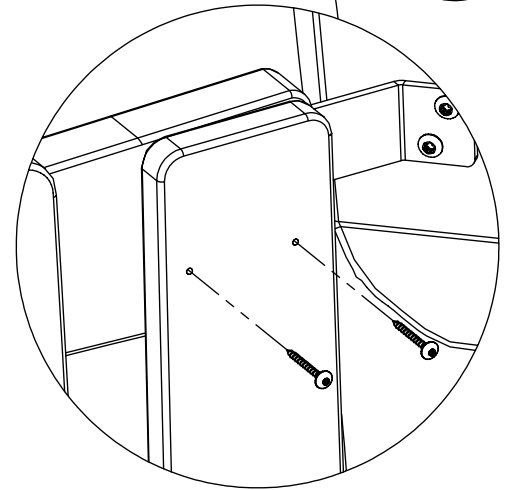
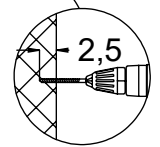
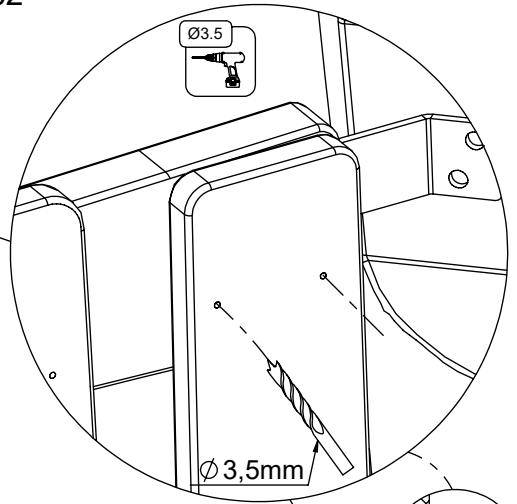
[cm]

128182

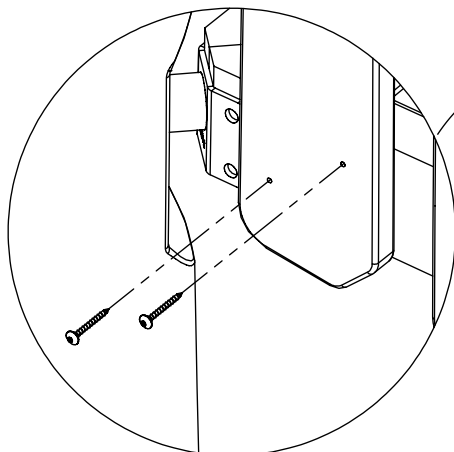
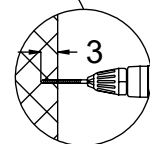
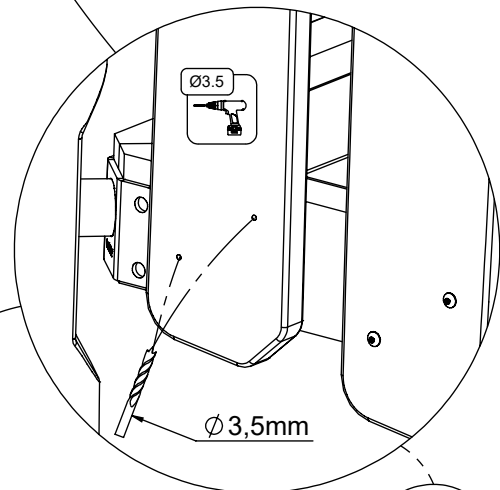
128182



! $30\text{mm} < Z < 85\text{mm}$



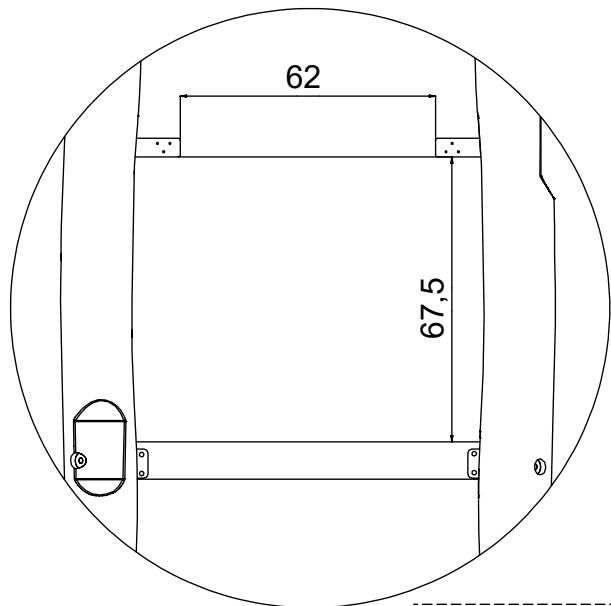
4x **5x50sxs**



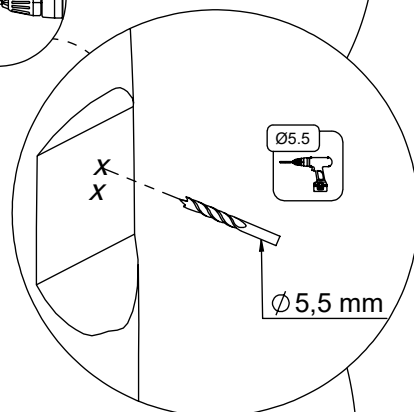
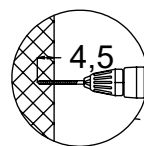
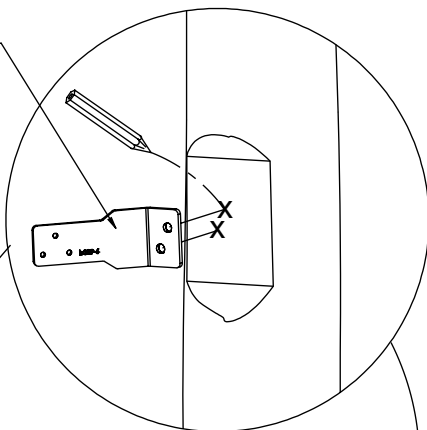
4x **5x50sxs**

[cm]

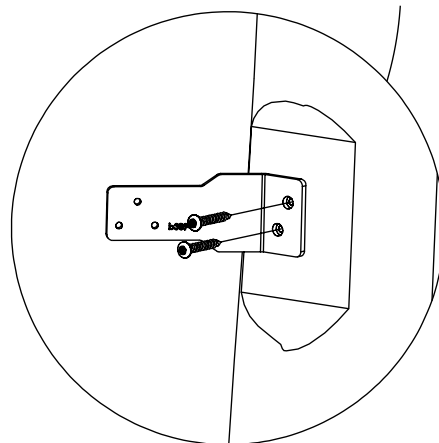
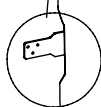
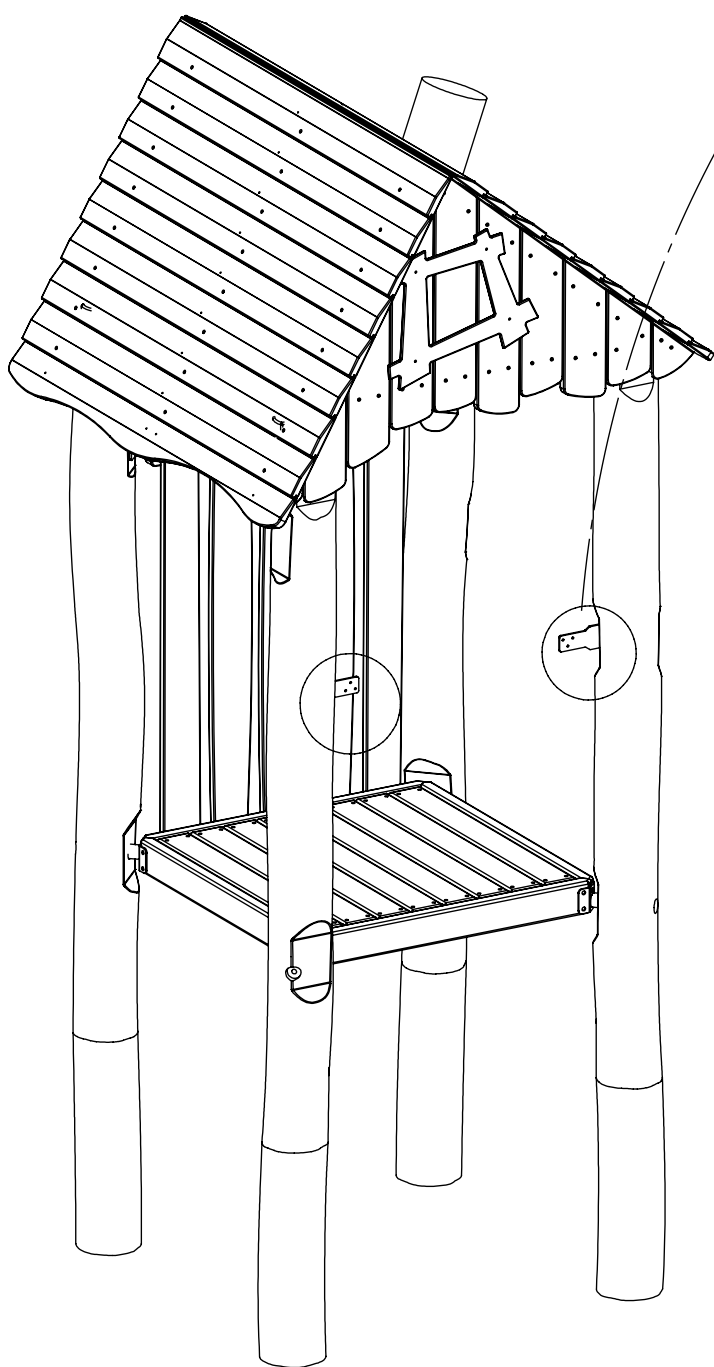
vinci
play



b389x2



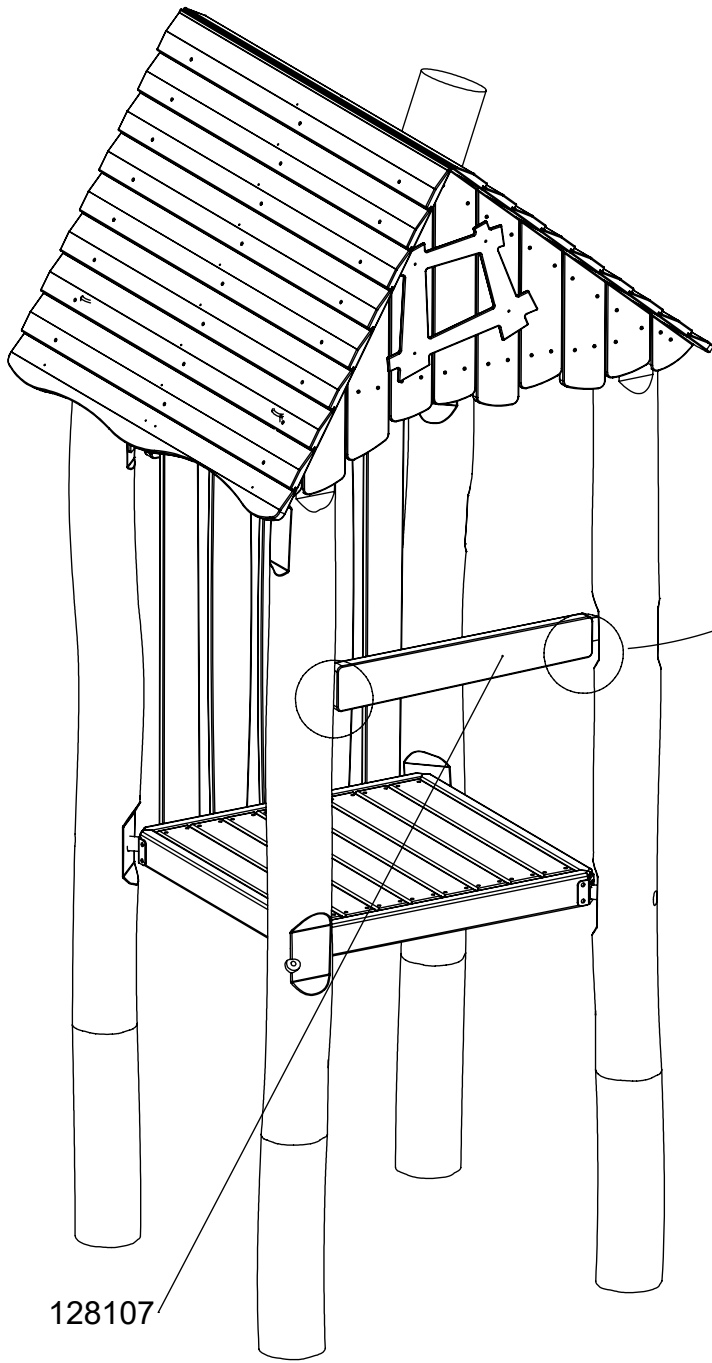
Ø 5,5 mm



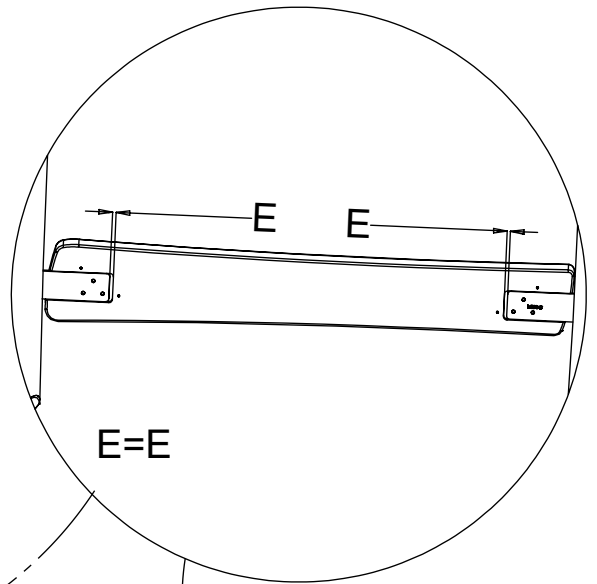
4x 8x50sxi

[cm]

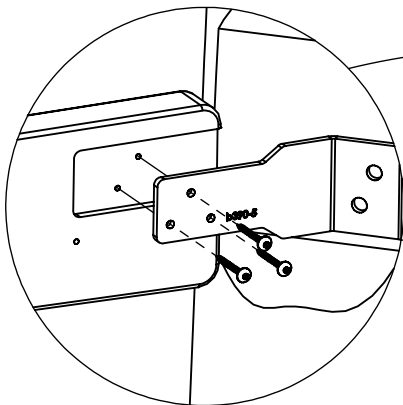
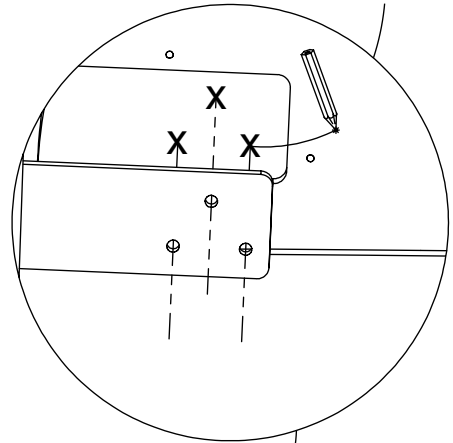
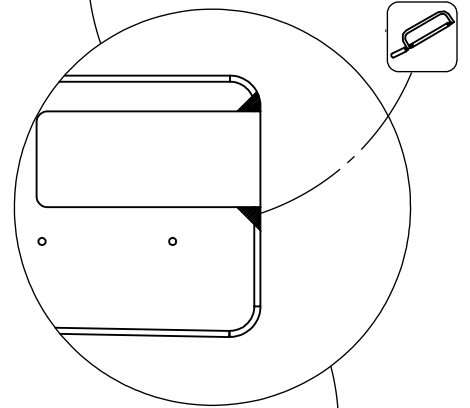
vinci
play



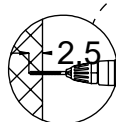
128107



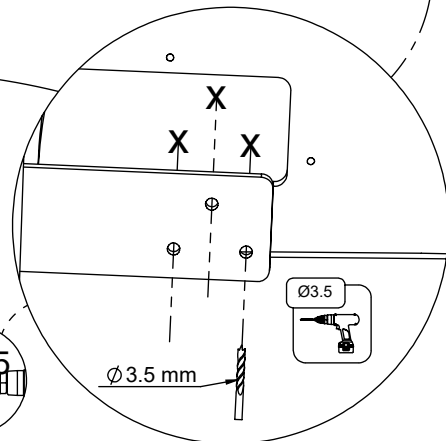
E=E



6x 5x30sxs



25

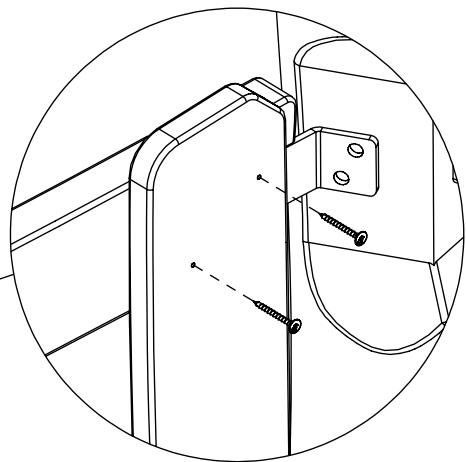
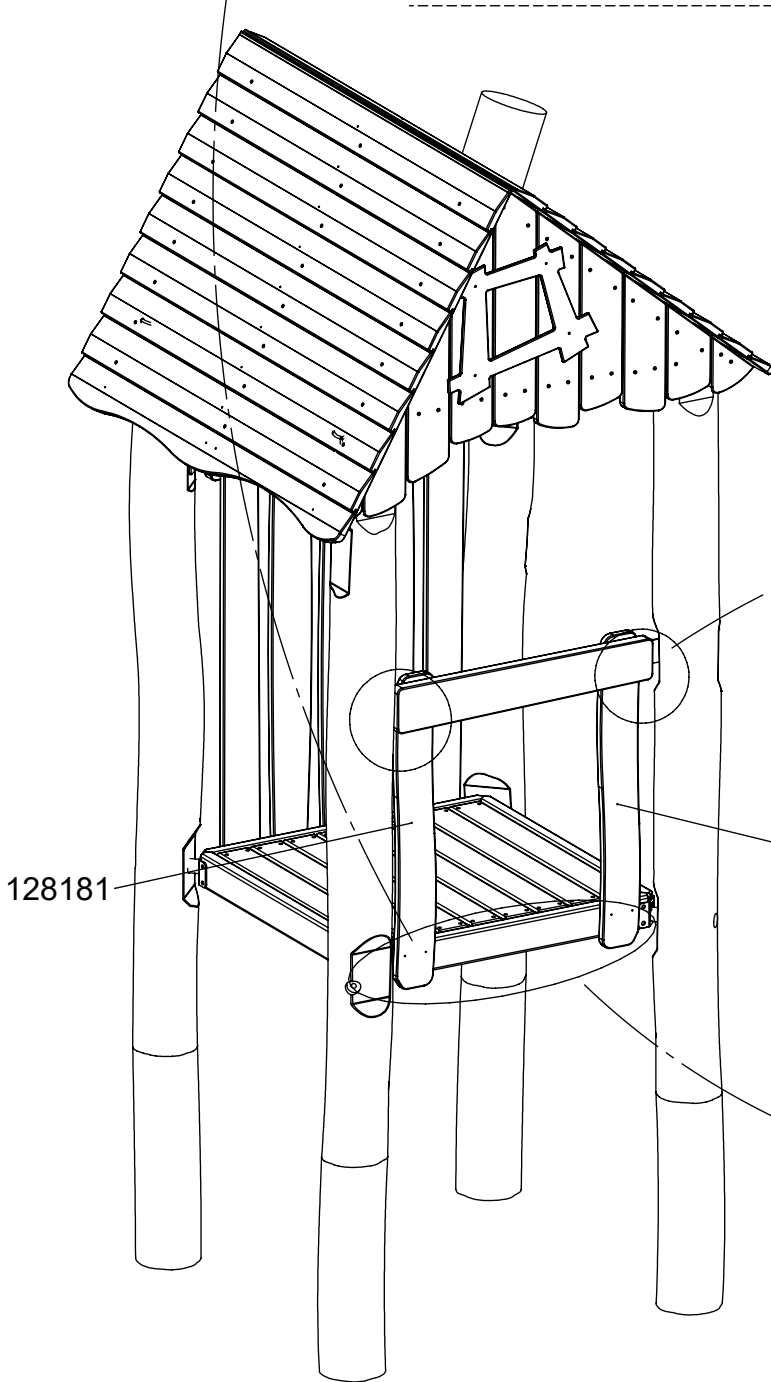
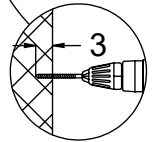
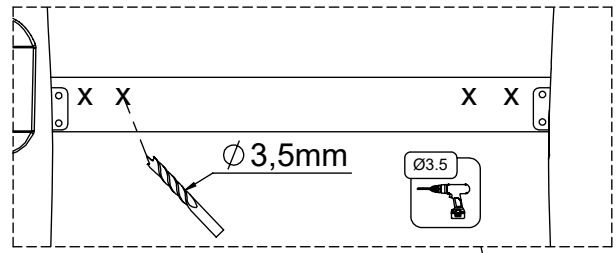
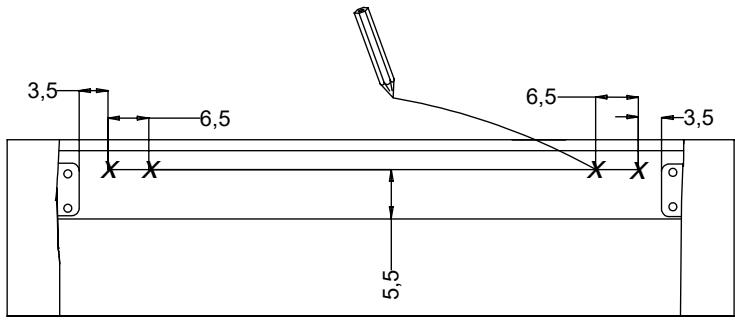


Ø 3.5 mm

Ø 3.5

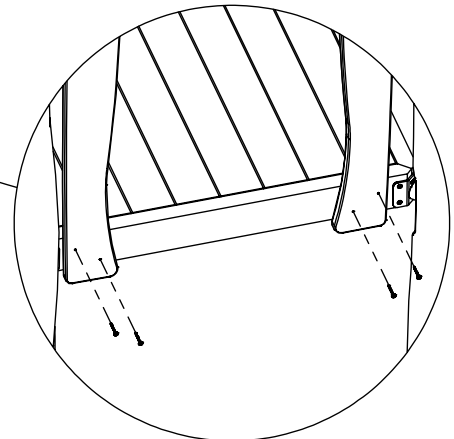
[cm]

vinci
play



4x 5x50sxs

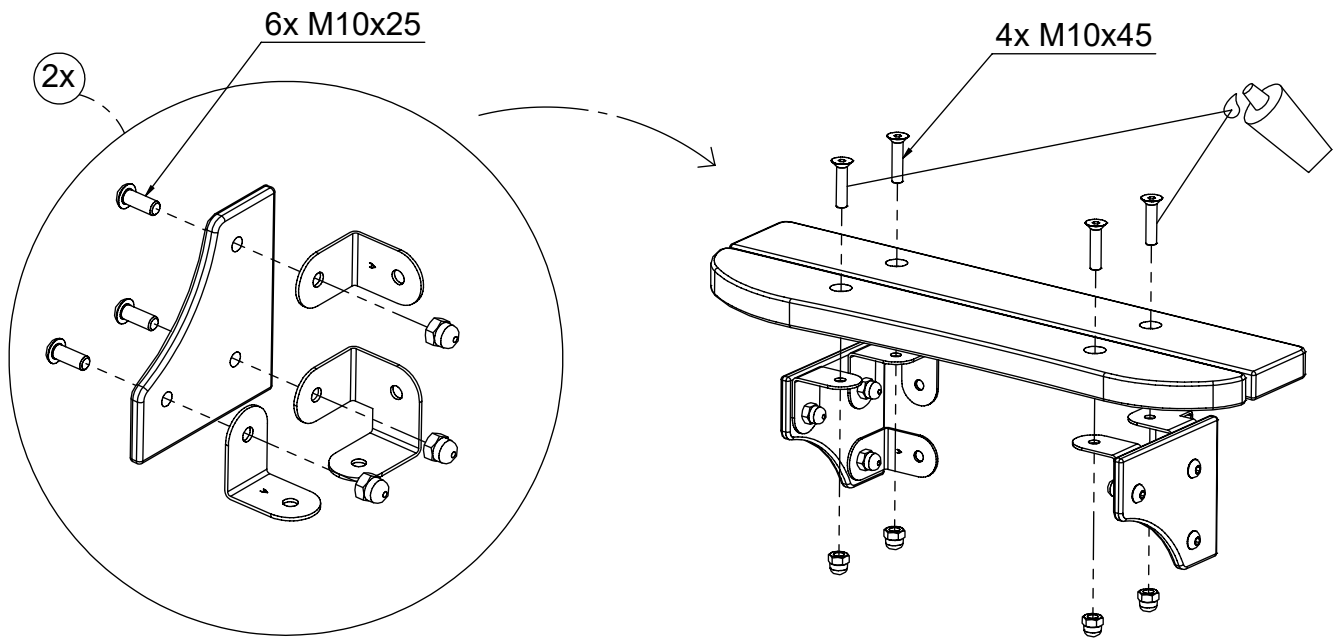
128181



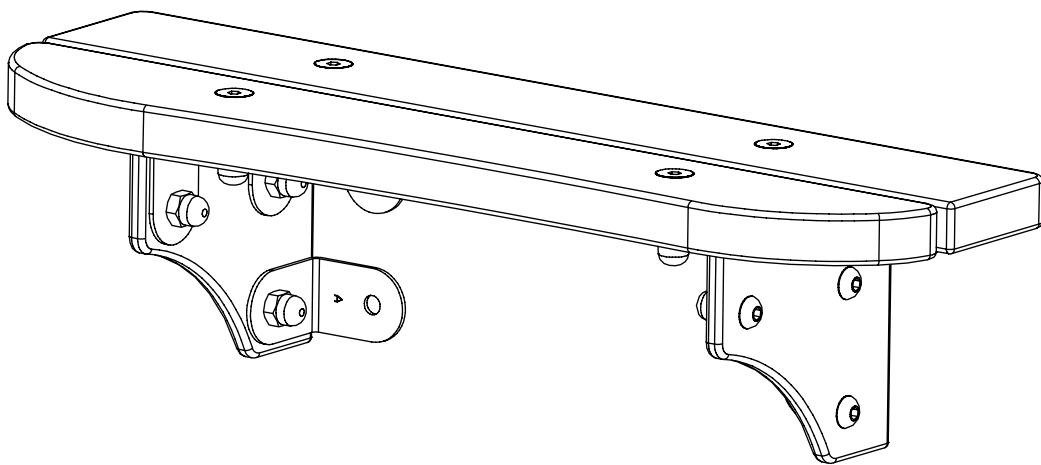
4x 5x50sxs

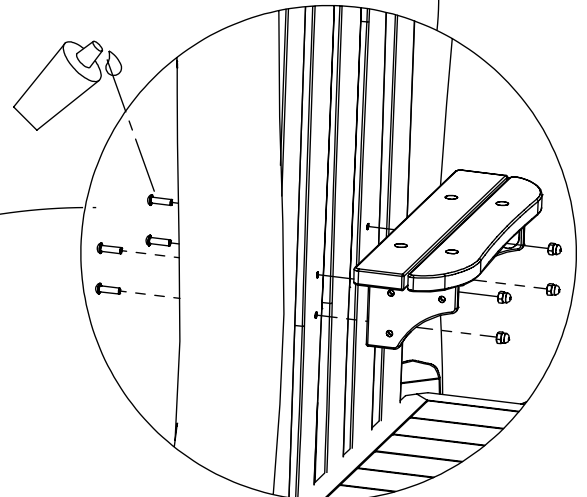
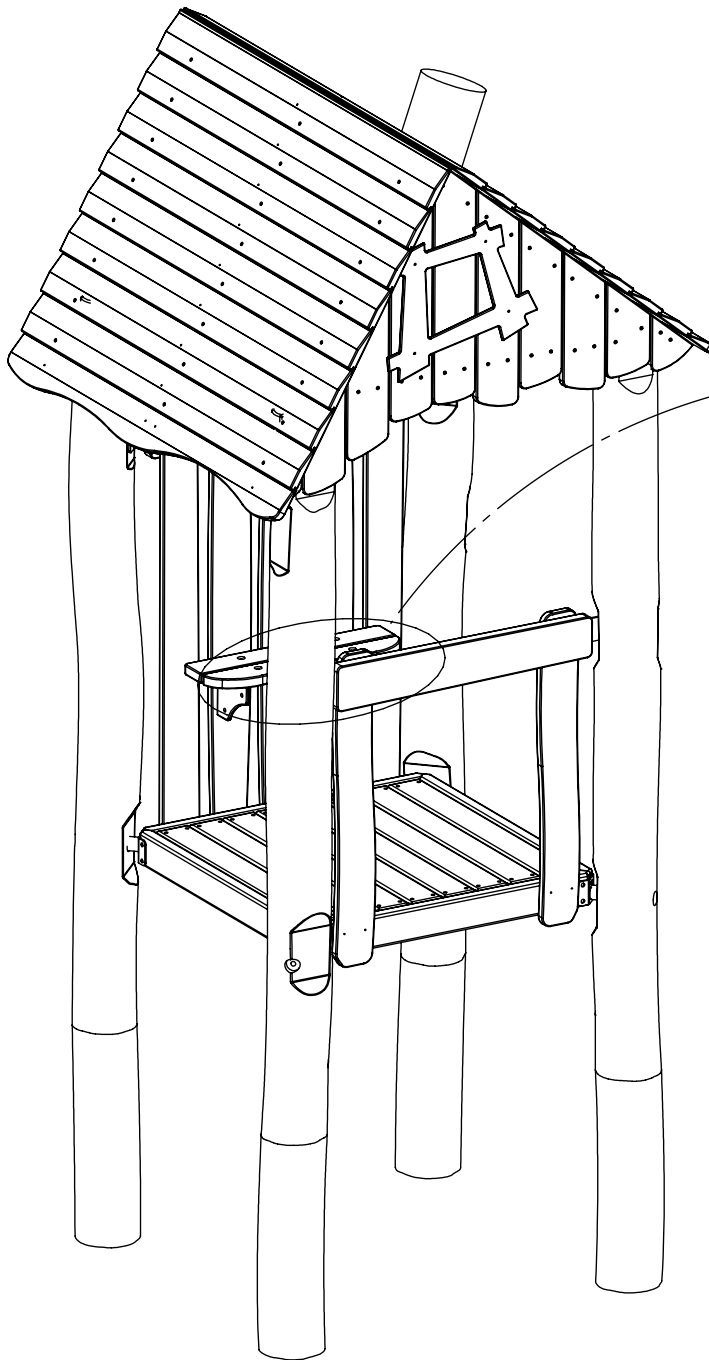
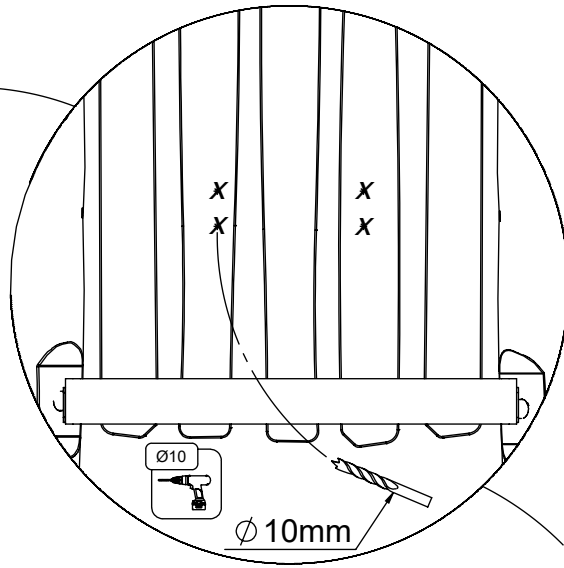
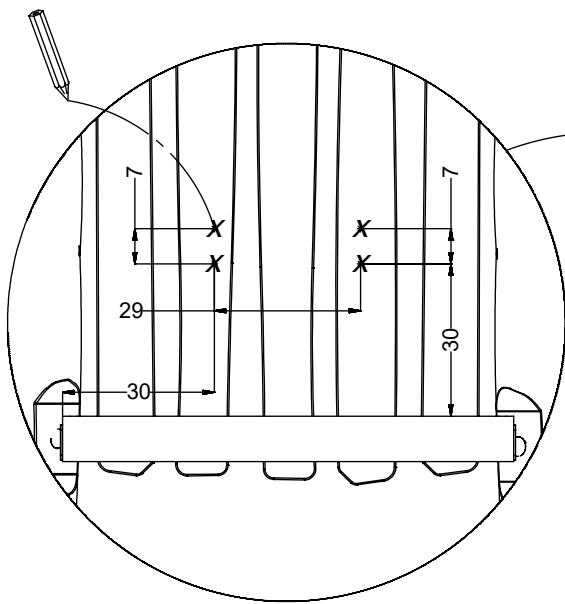
[cm]

vinci
play

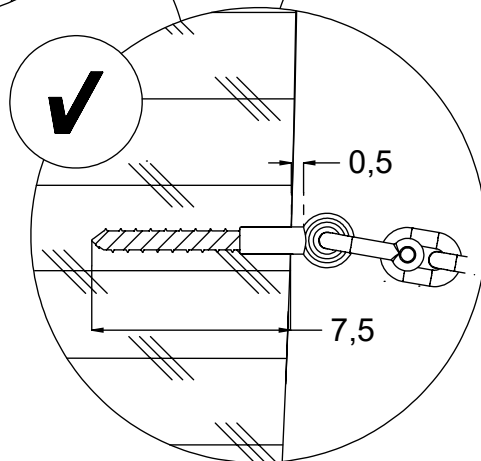
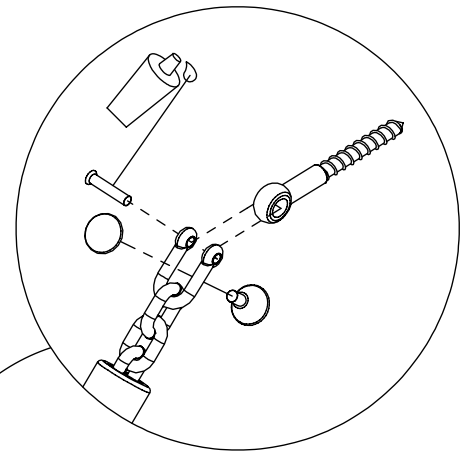
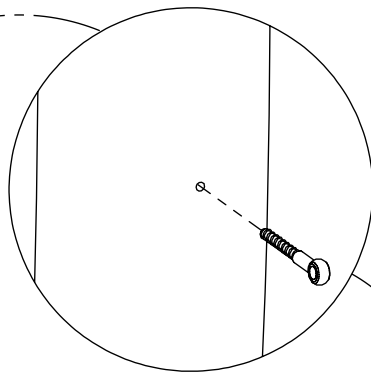
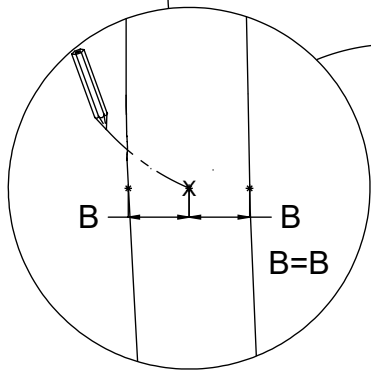
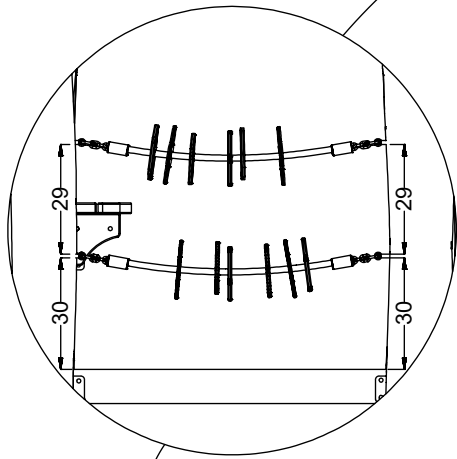
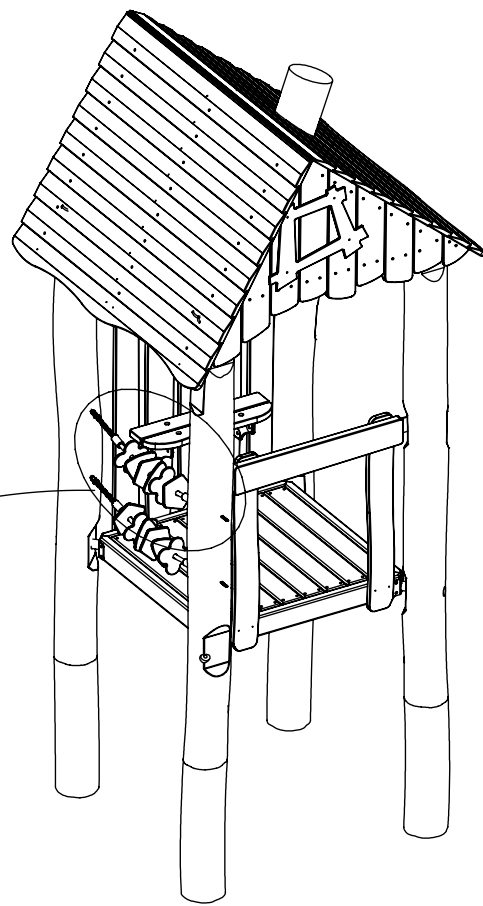


1x 12e021



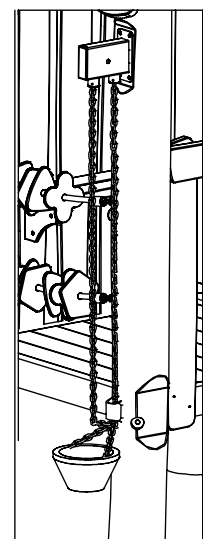
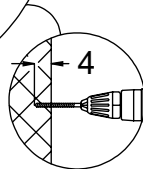
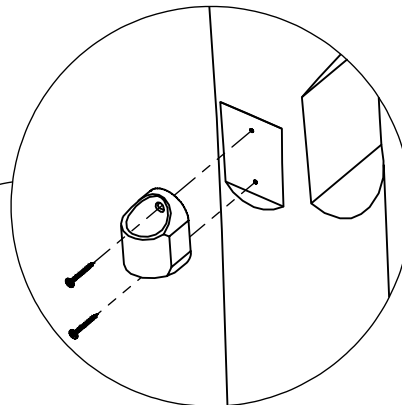
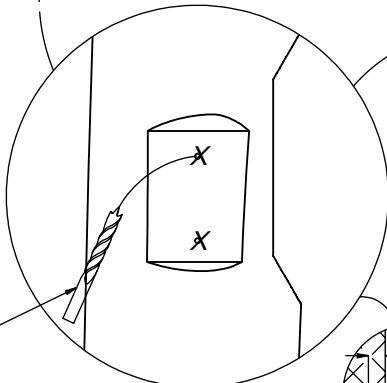
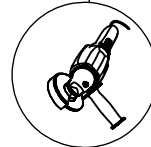
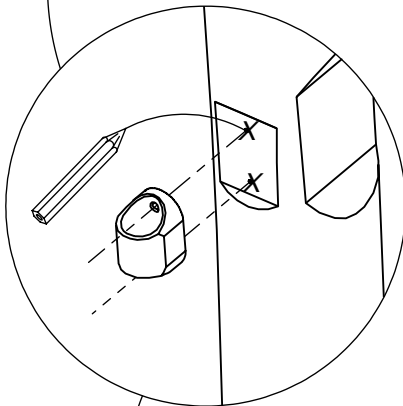
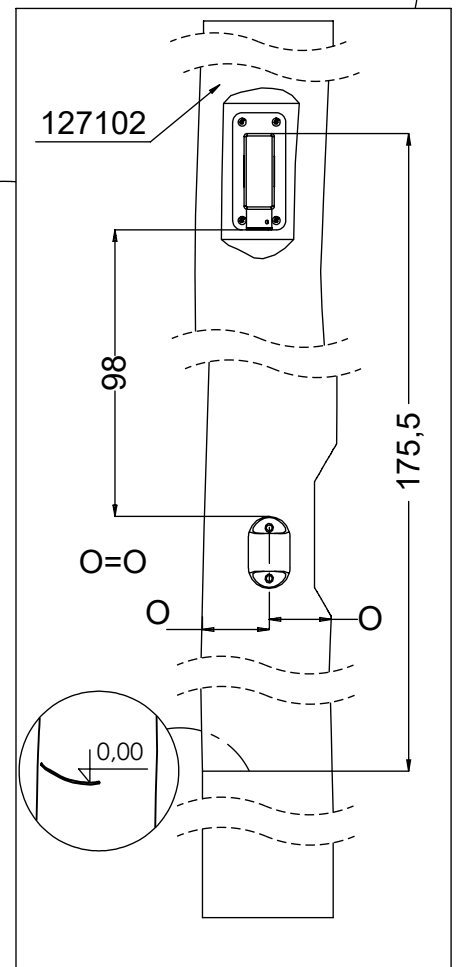
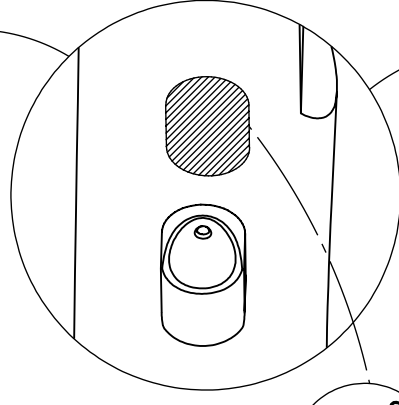
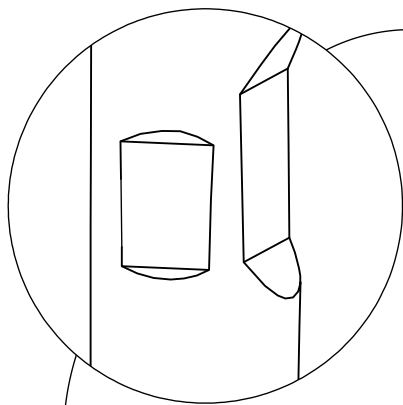
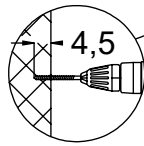
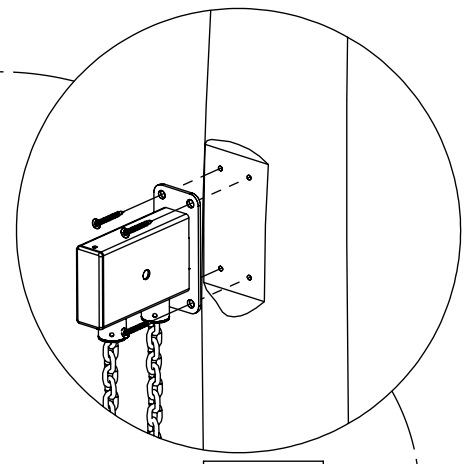
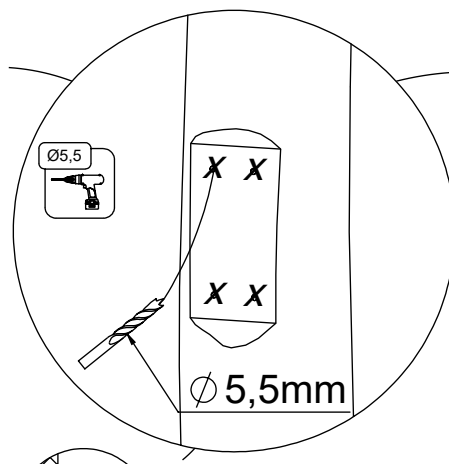
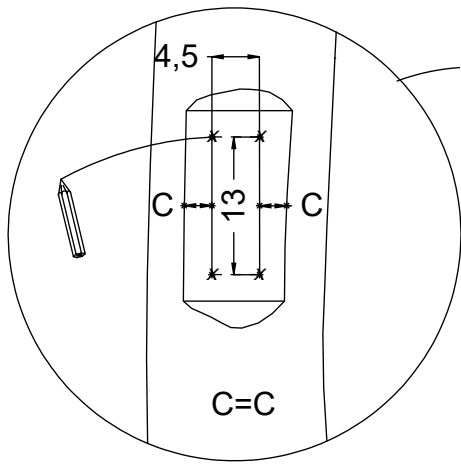


12e021



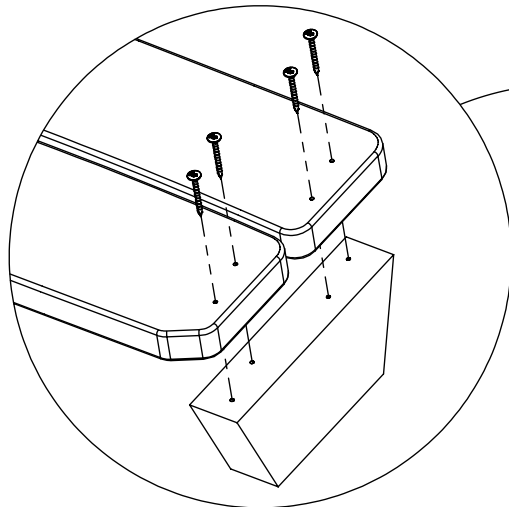
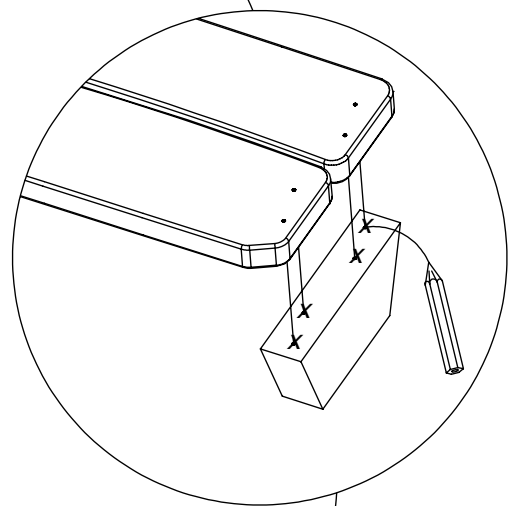
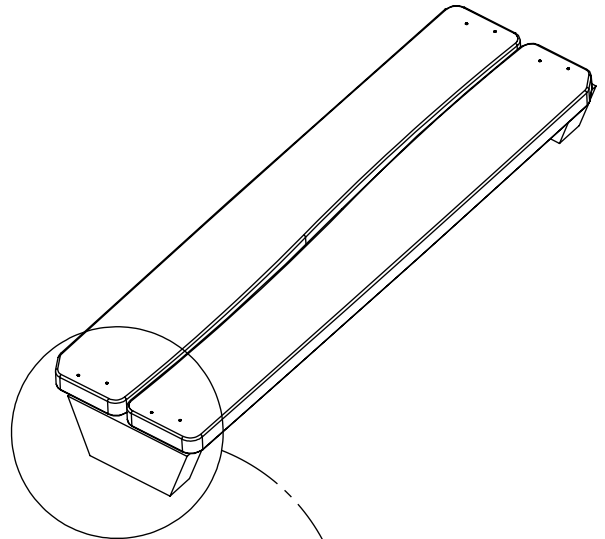
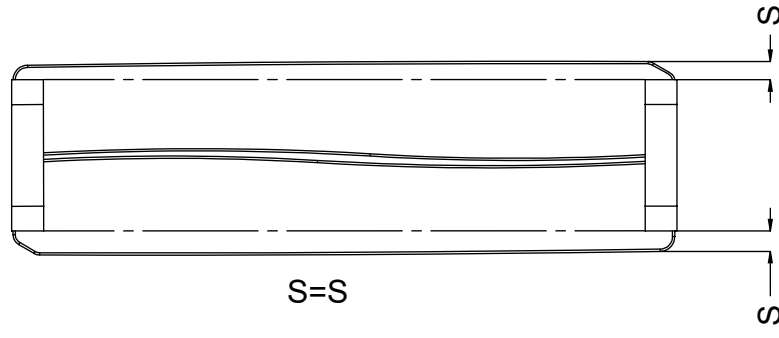
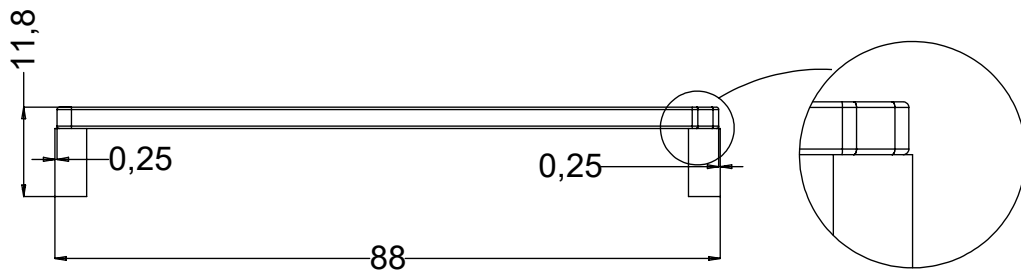
[cm]

vinci
play

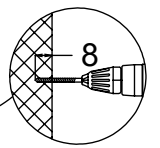
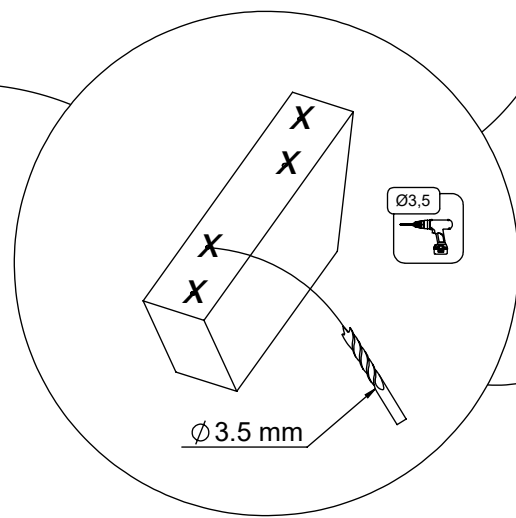


vinci play

[cm]

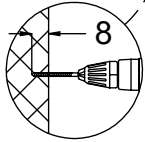
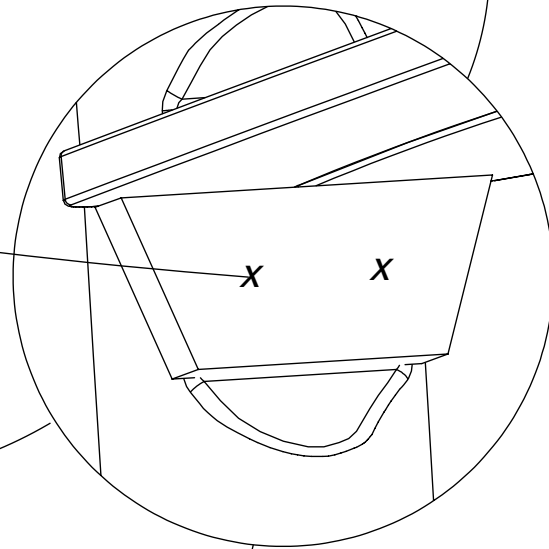
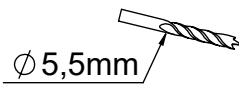
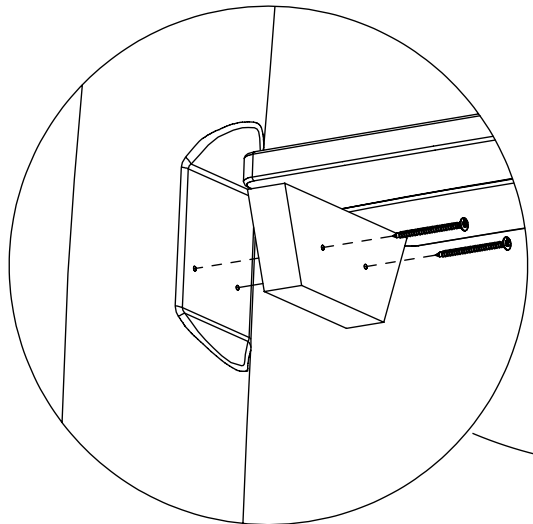
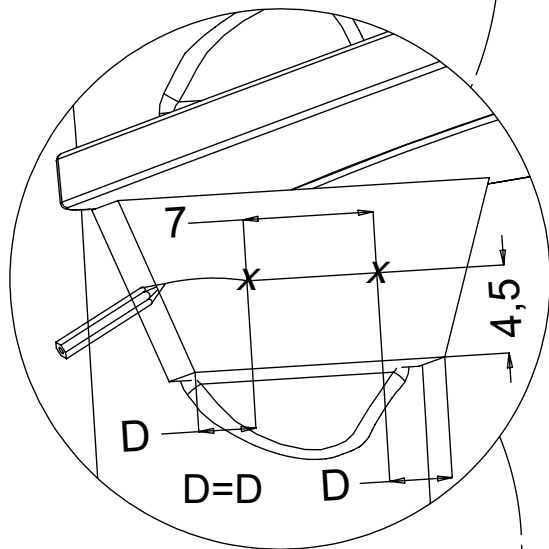
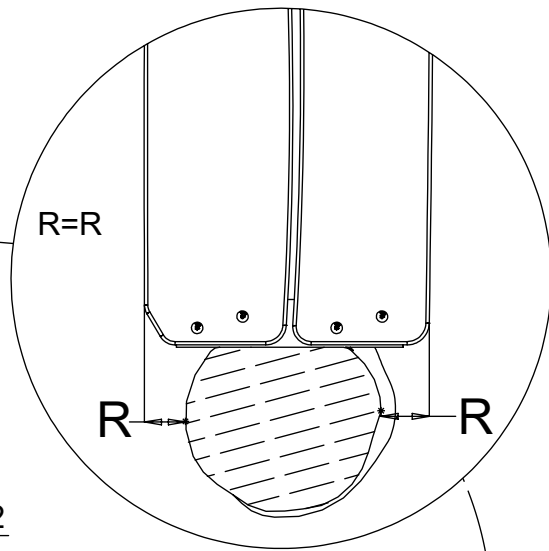
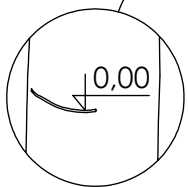
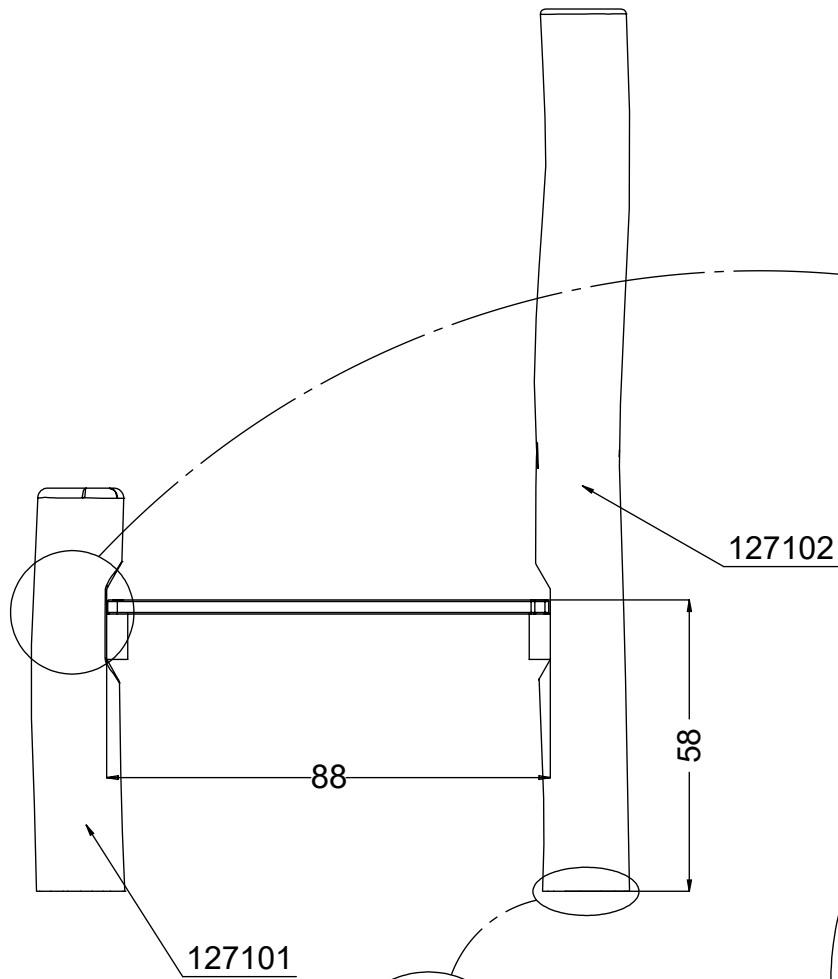


8x 5x80sxs



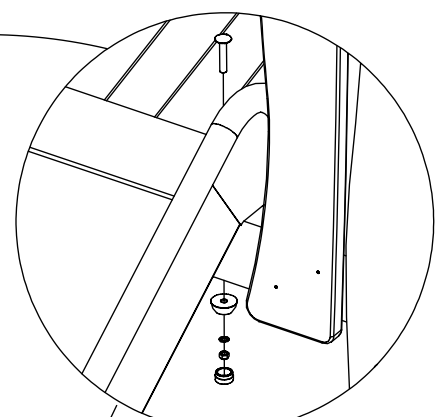
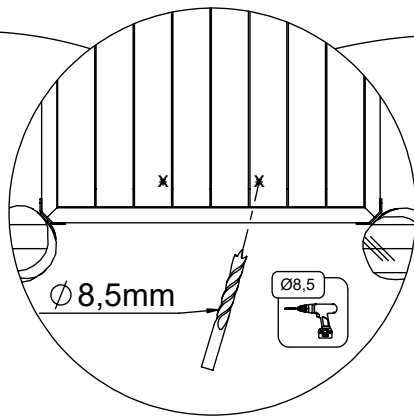
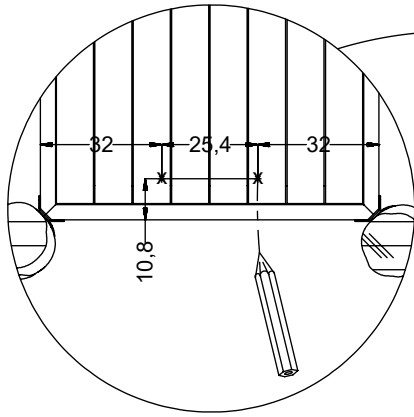
[cm]

vinci
play

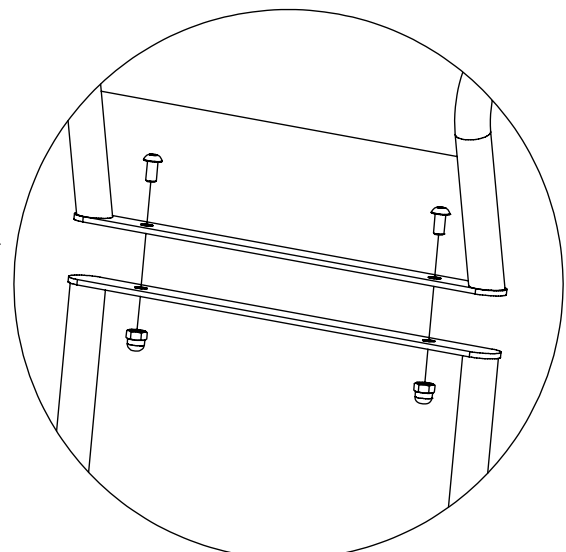


[cm]

vinci
play



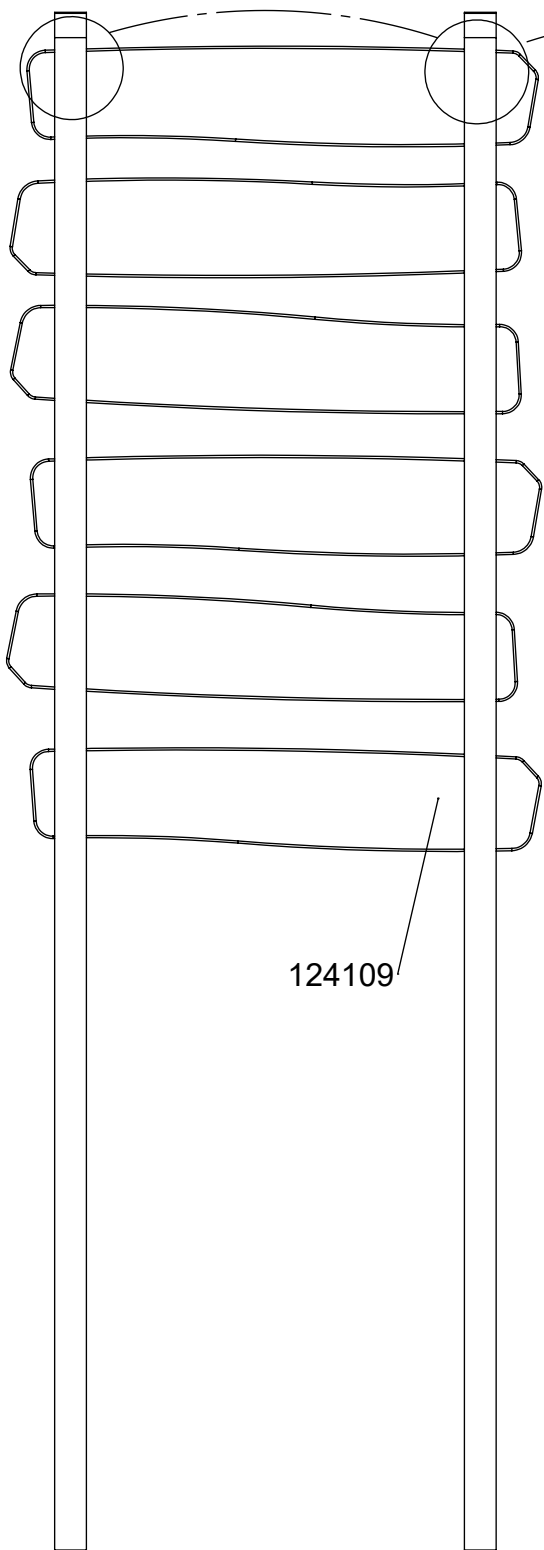
1x 12e019



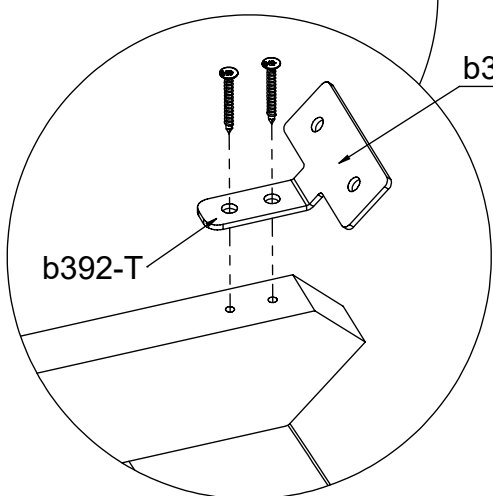
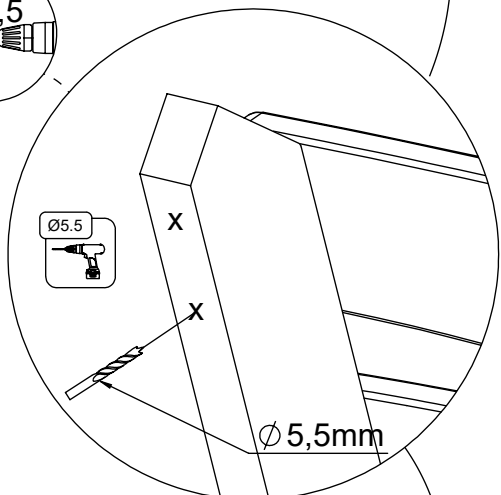
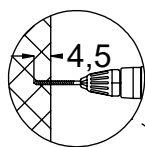
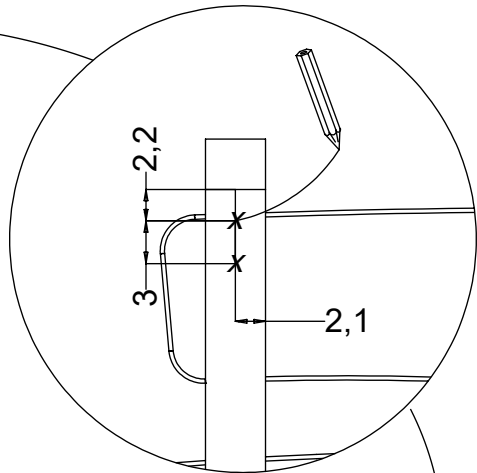
1x 12e030

[cm]

vinci
play



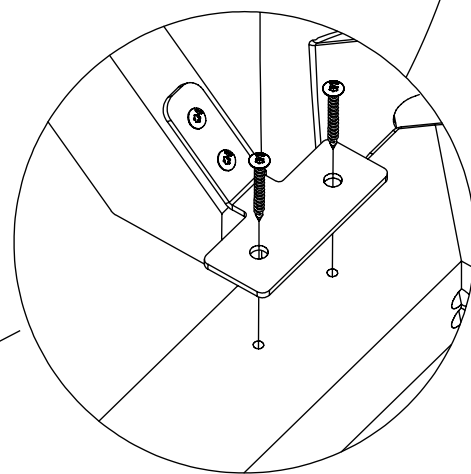
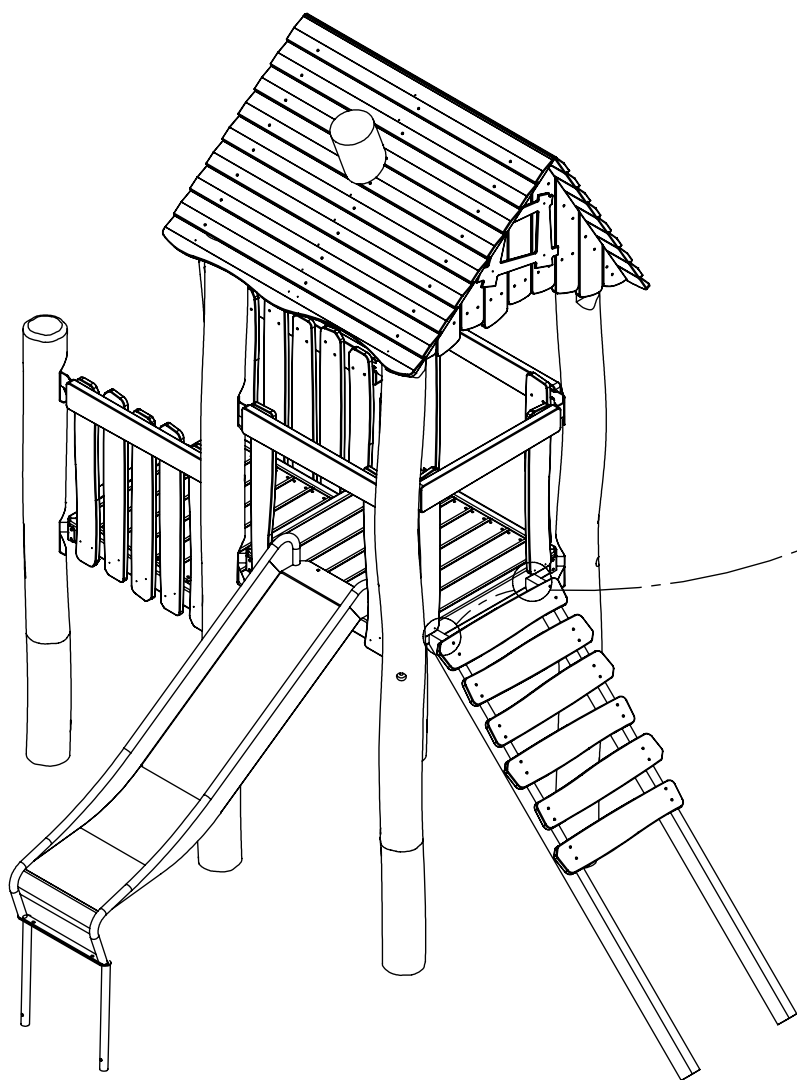
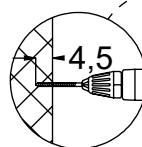
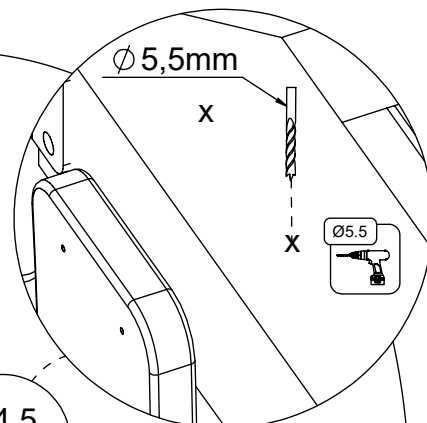
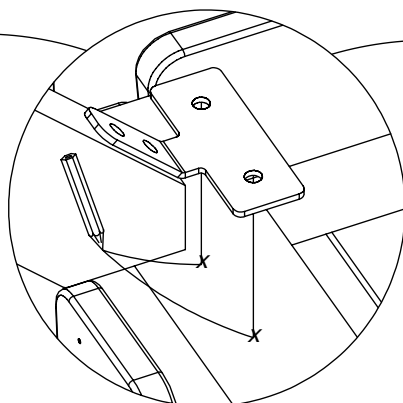
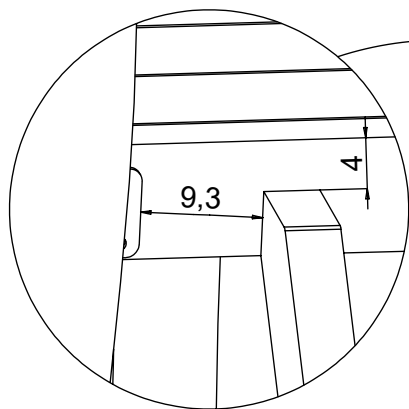
124109

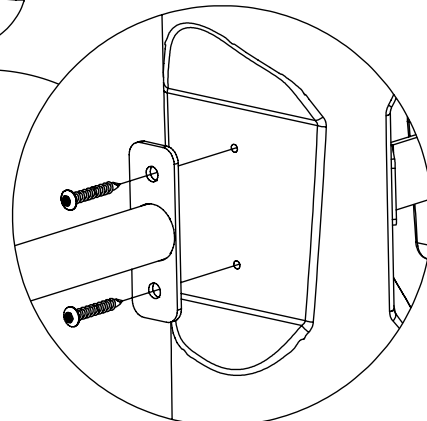
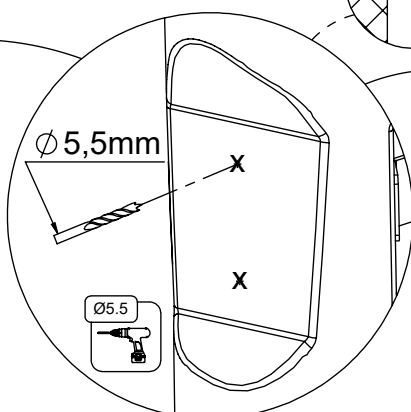
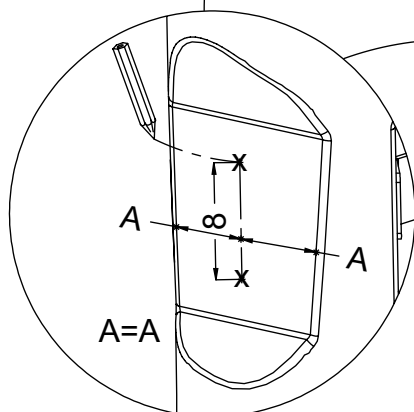
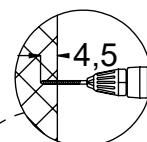
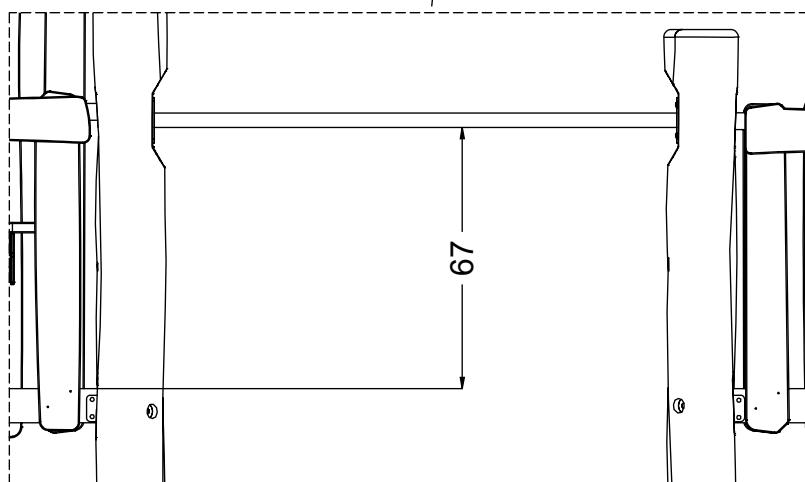
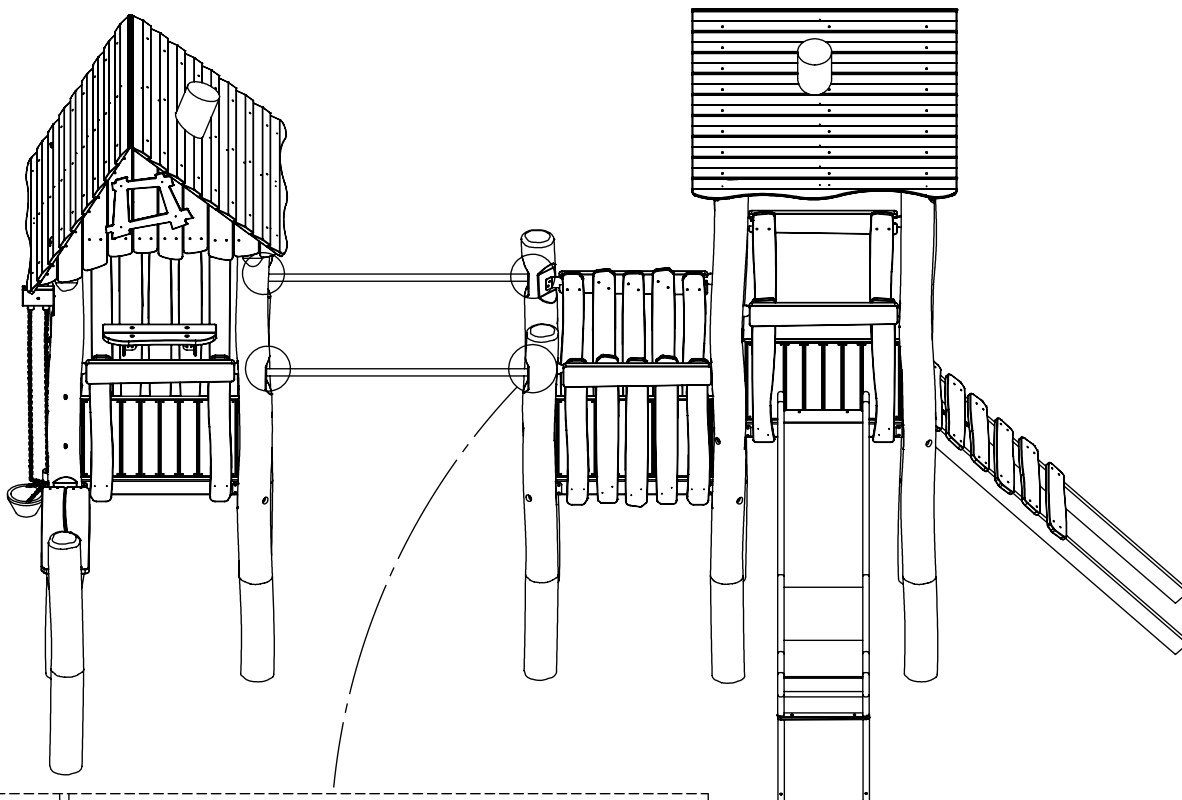


4x 8x50 sxi

[cm]

vinci
play

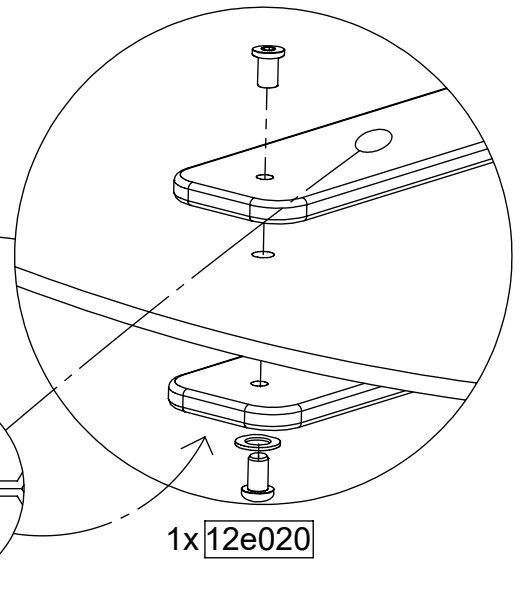
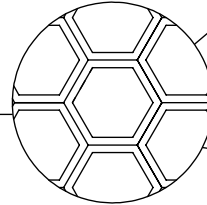
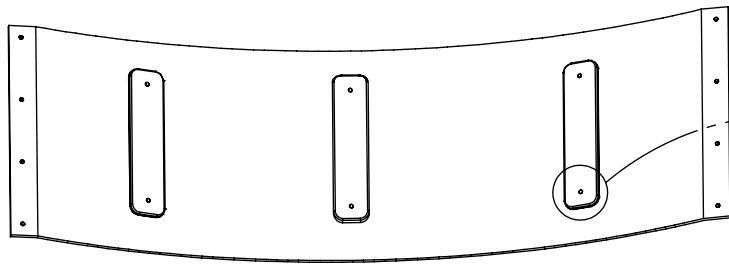




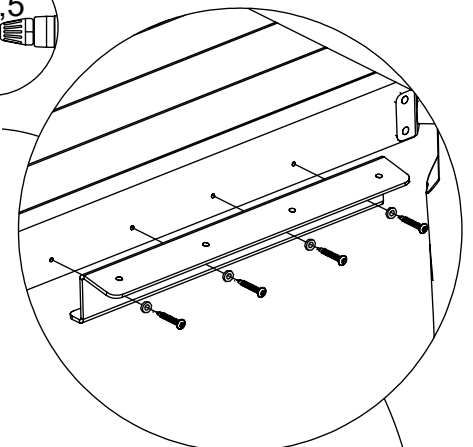
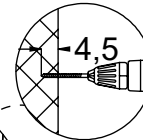
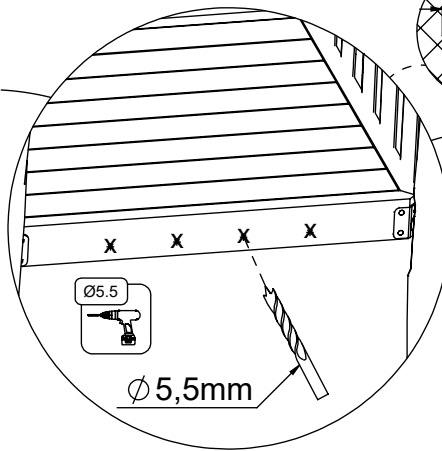
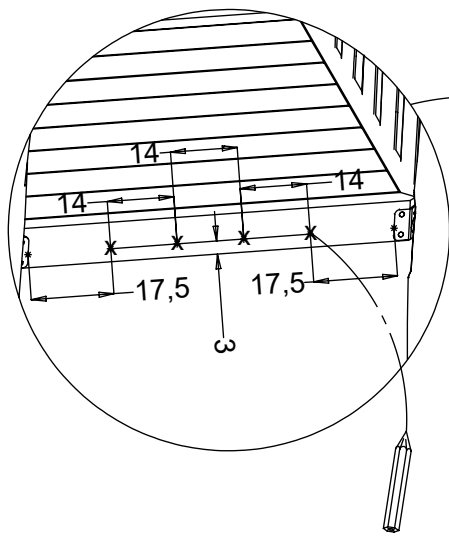
8x 8x50sxi

[cm]

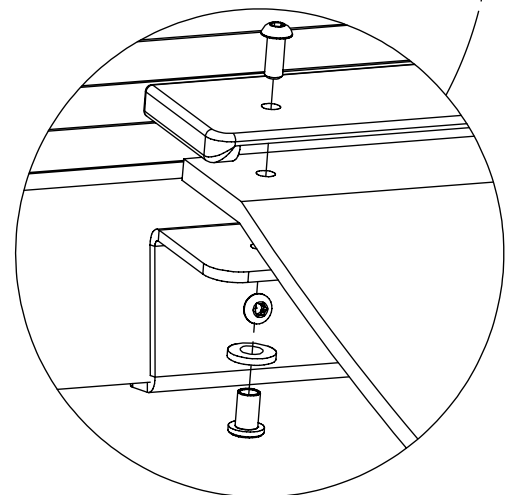
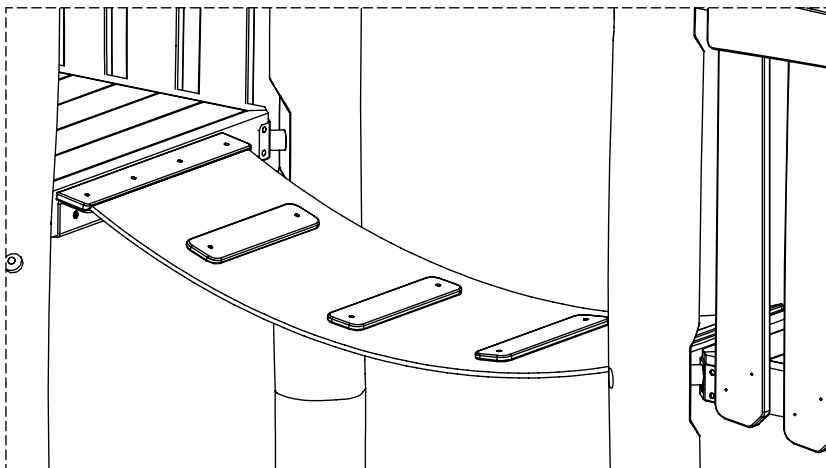
vinci
play



1x 12e020



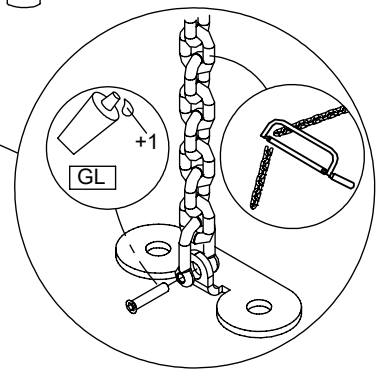
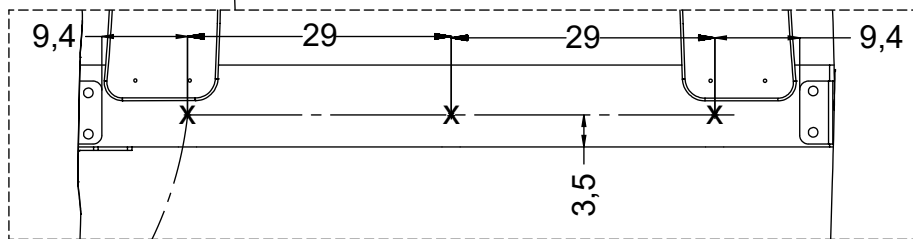
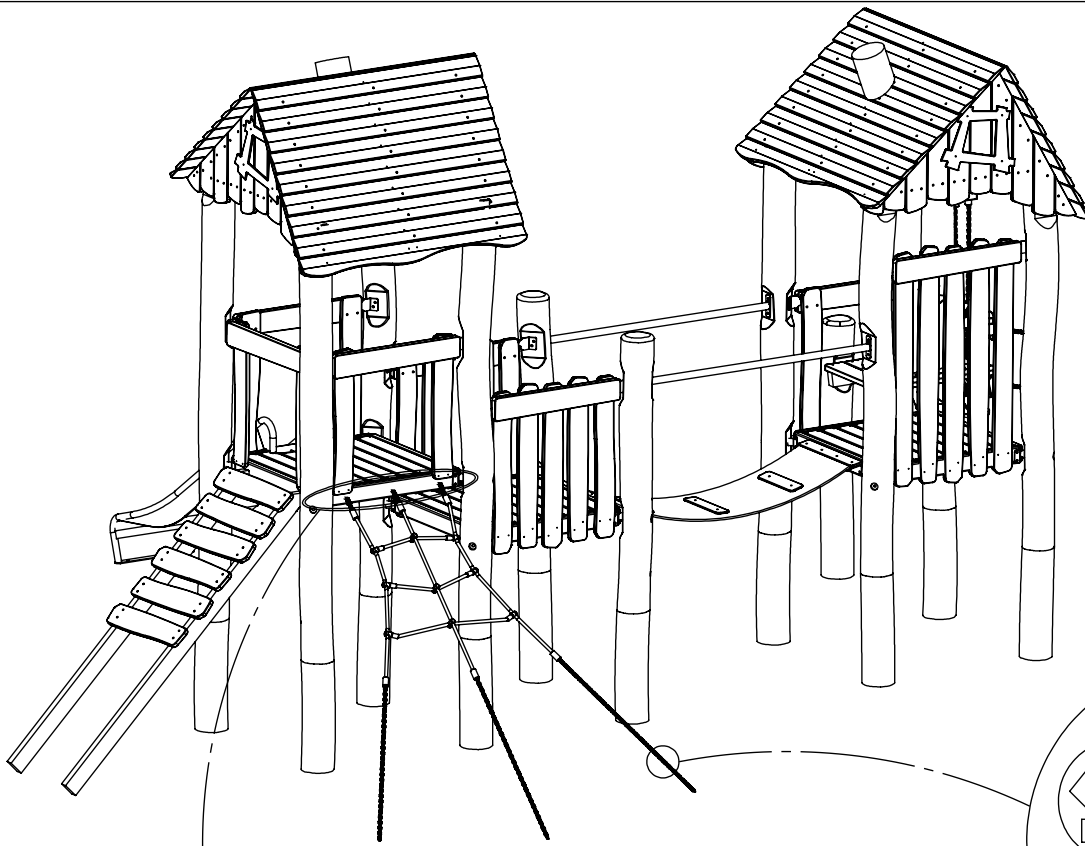
8x 8x50sxi 8x 10 PP



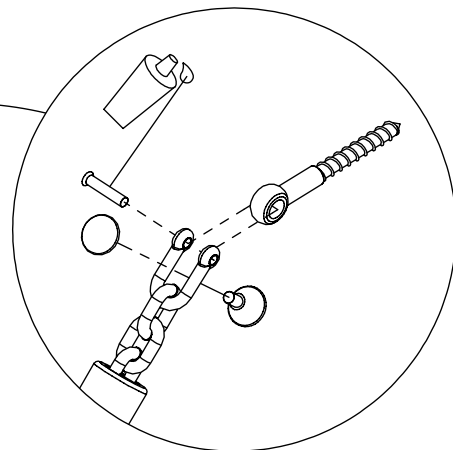
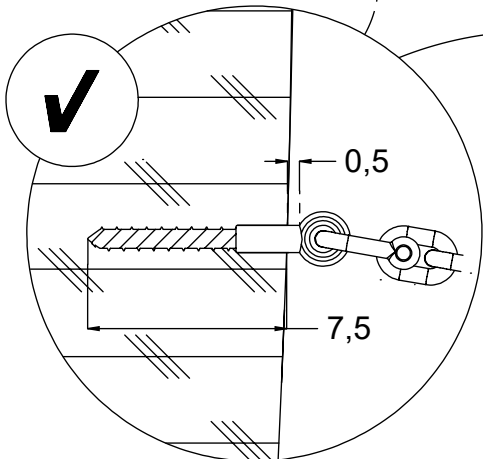
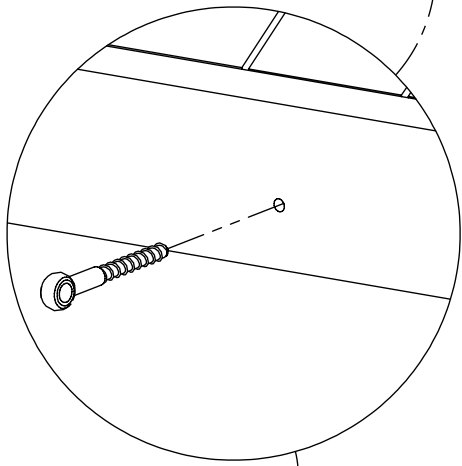
1x 12e018

[cm]

vinci
play



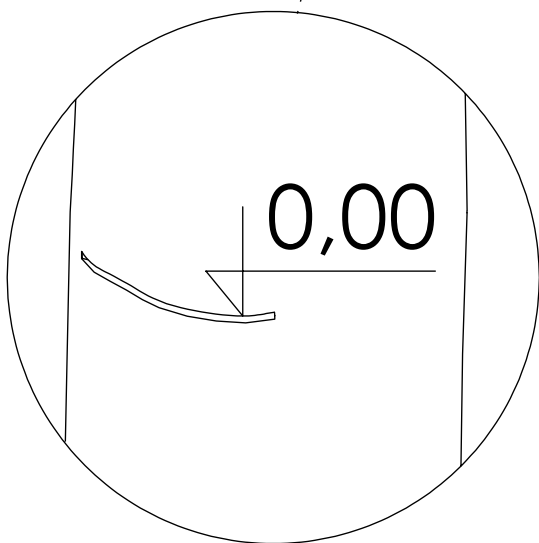
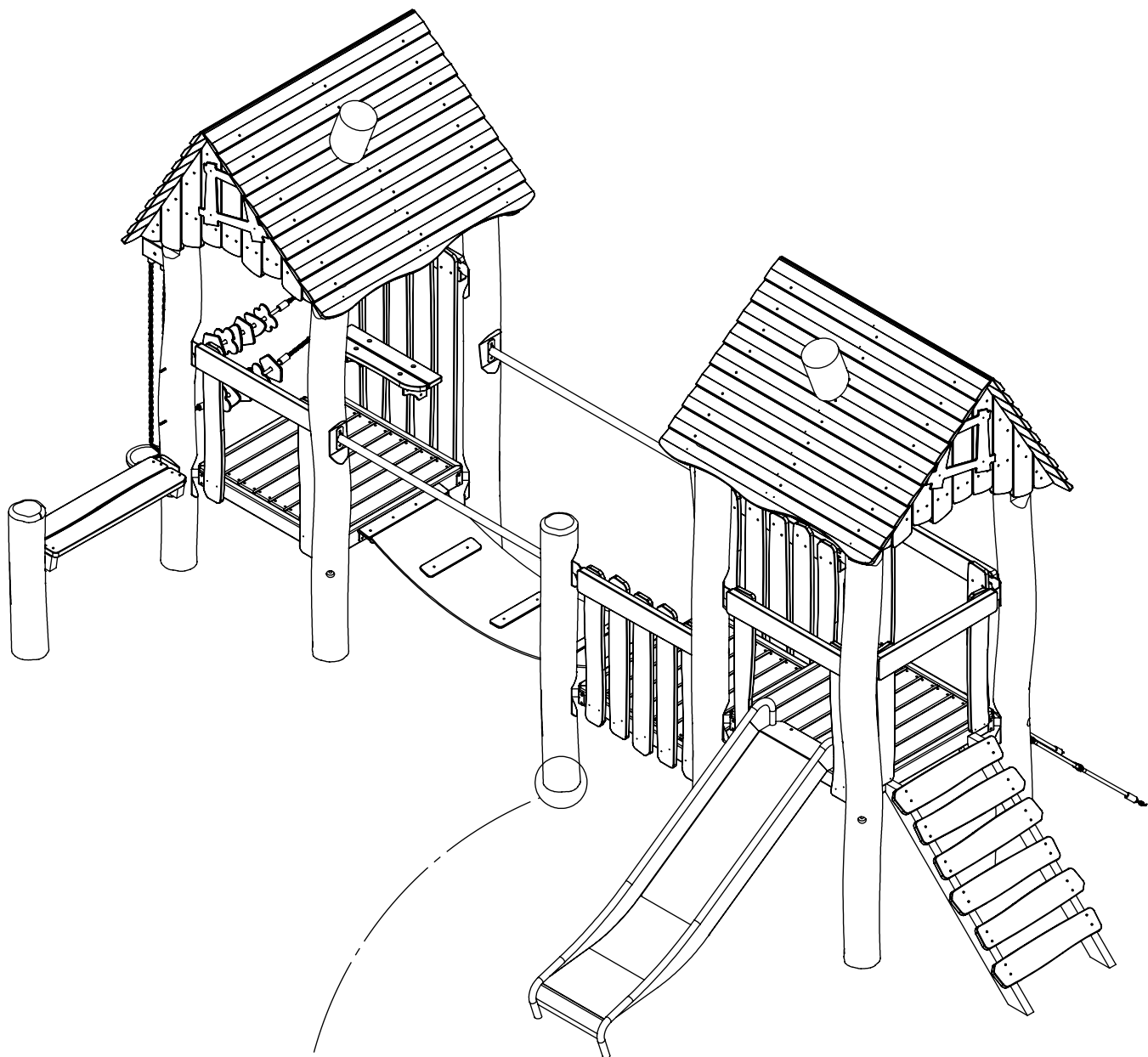
3x 12e052



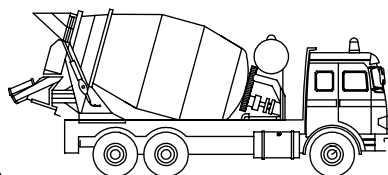
1x 12e015

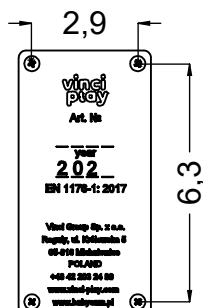
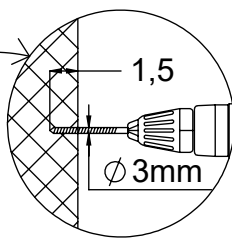
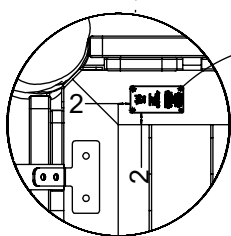
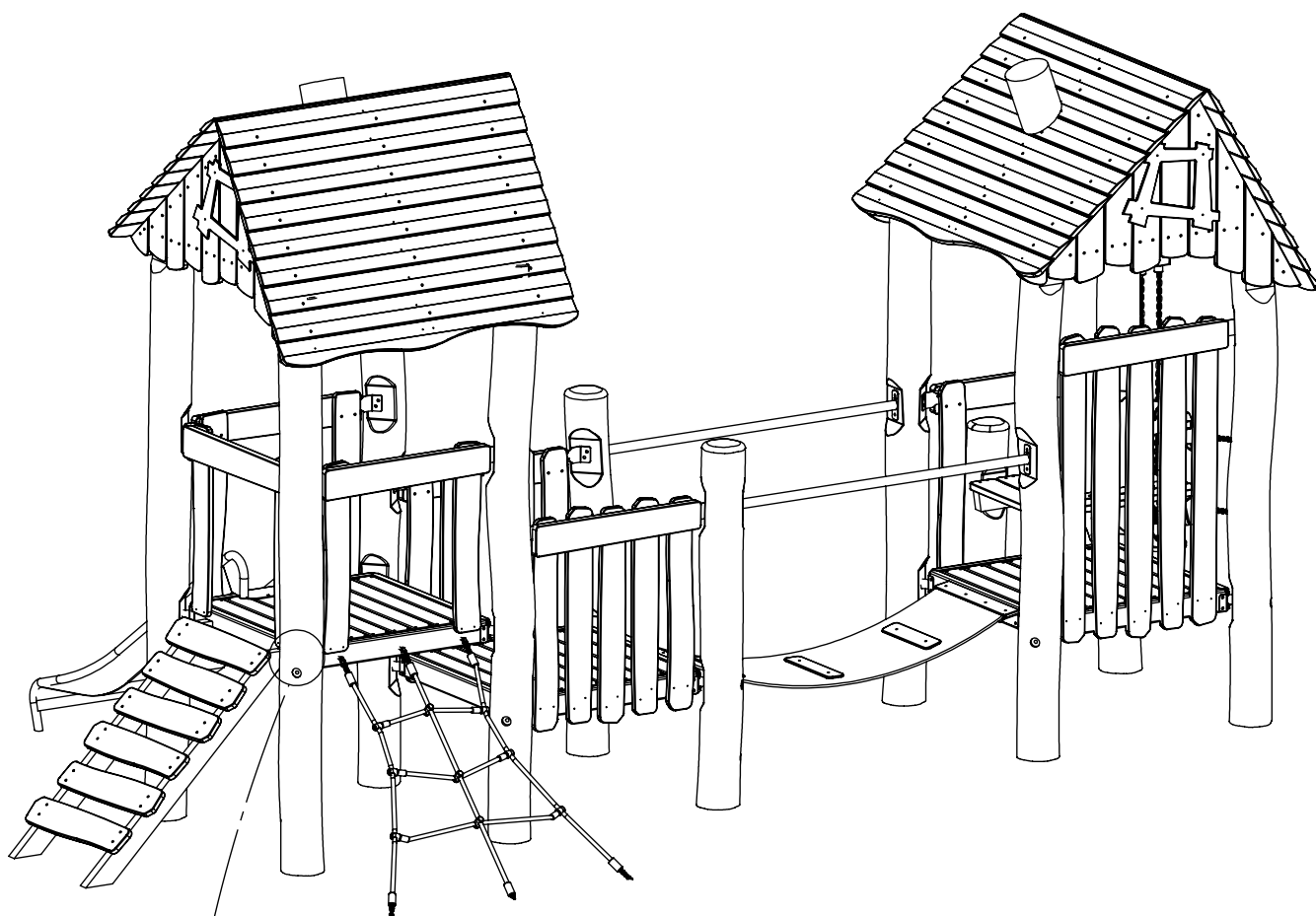
[cm]

vinci
play

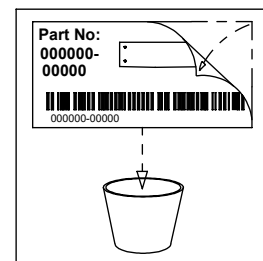


48h





V001



[cm]

vinci
play