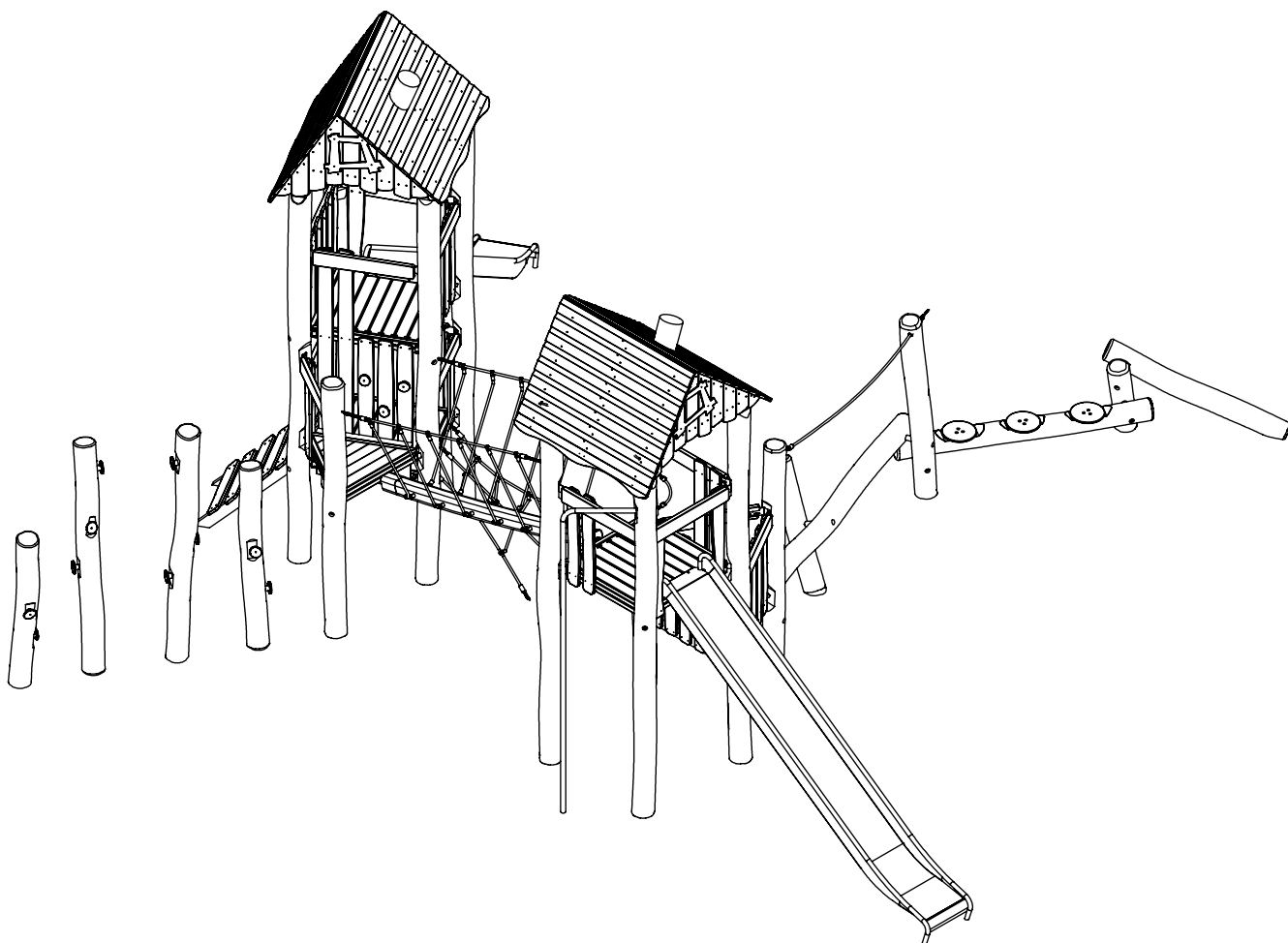
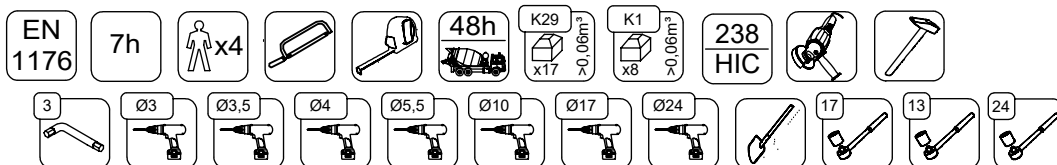


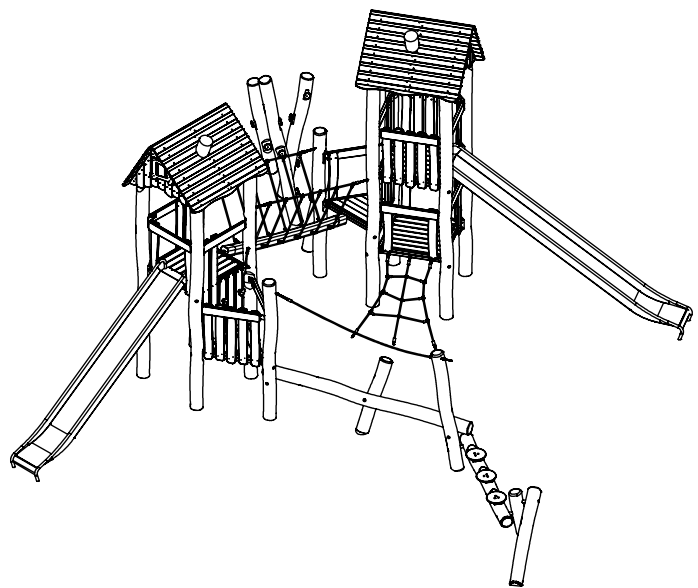
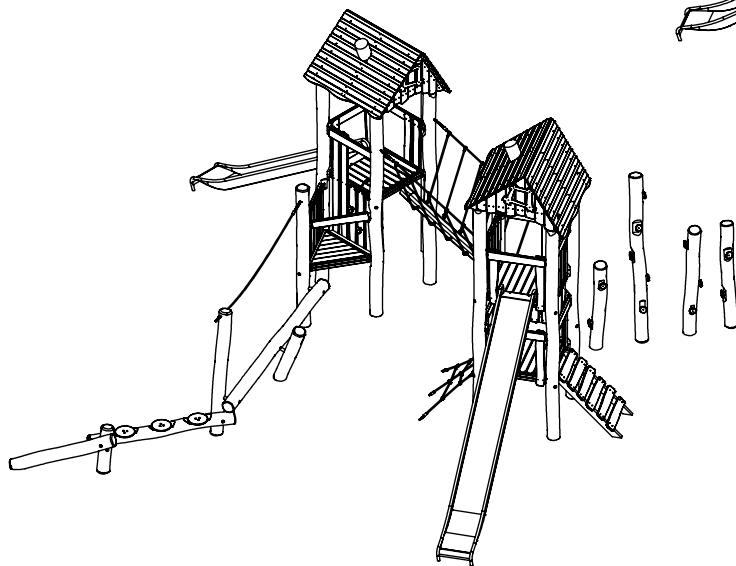
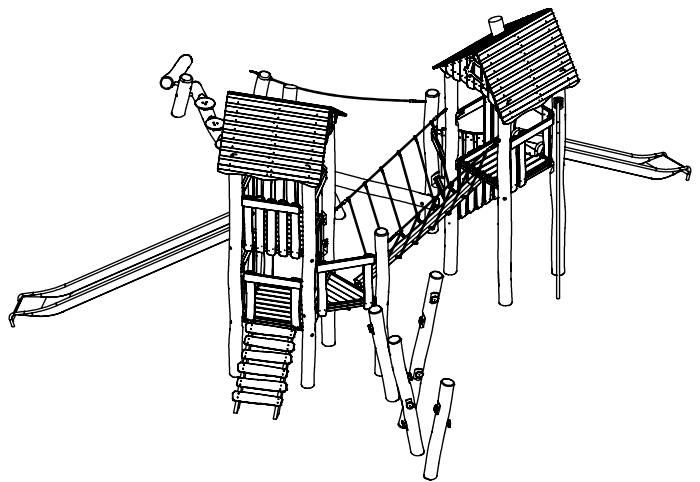
RB1217



v013
18.11.2021
D.P.
[cm]

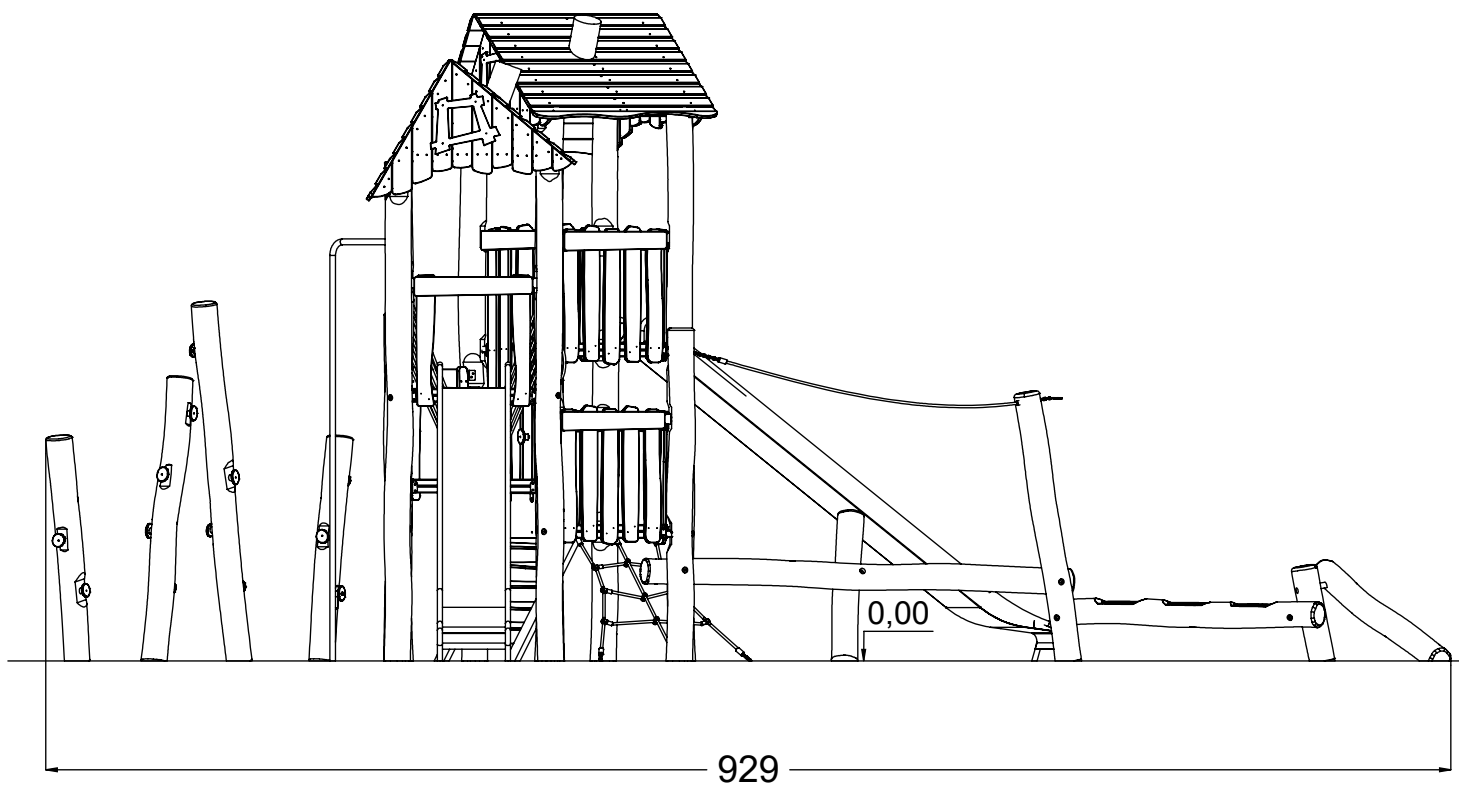
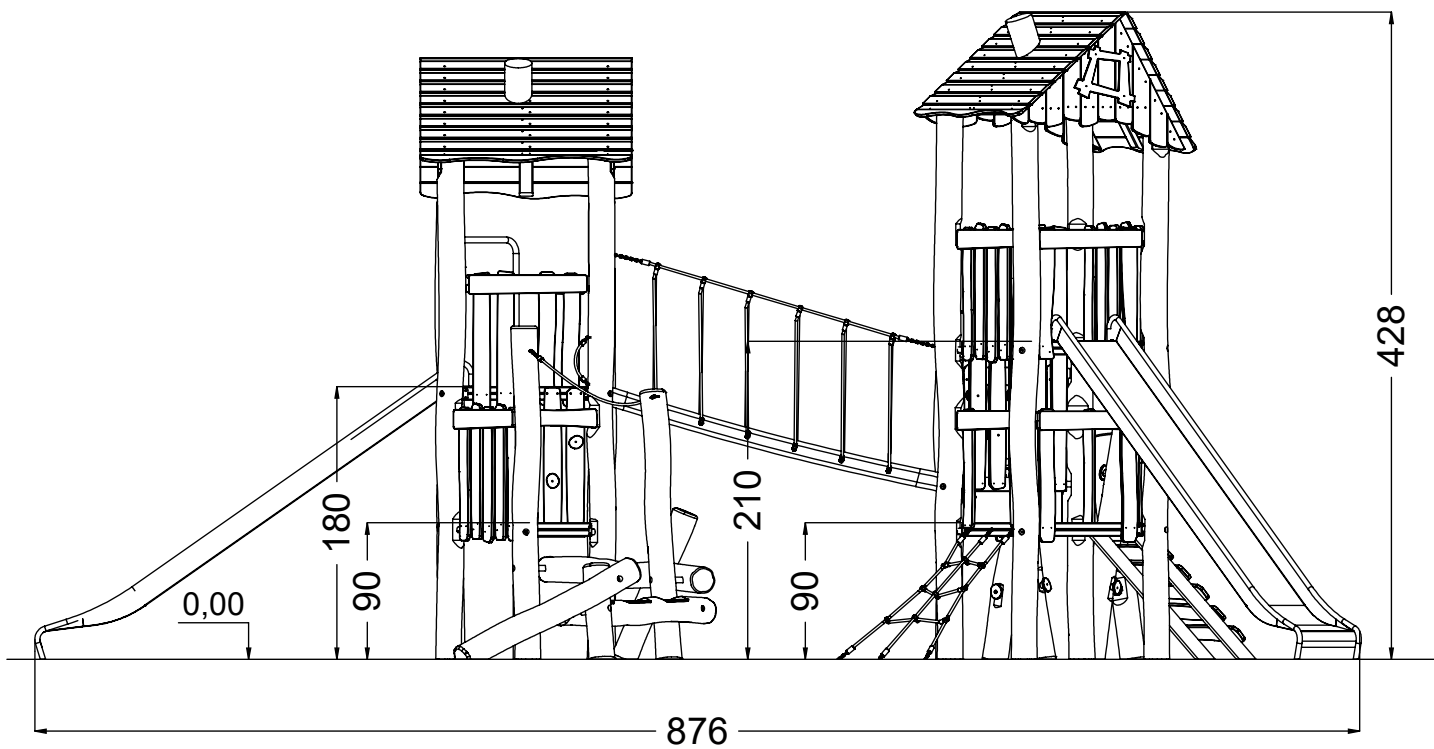


vinci
play



[cm]

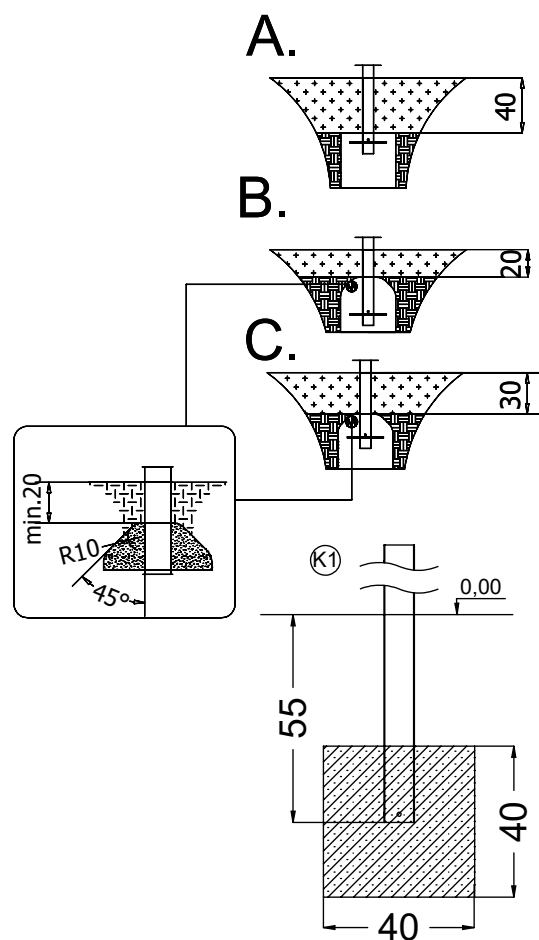
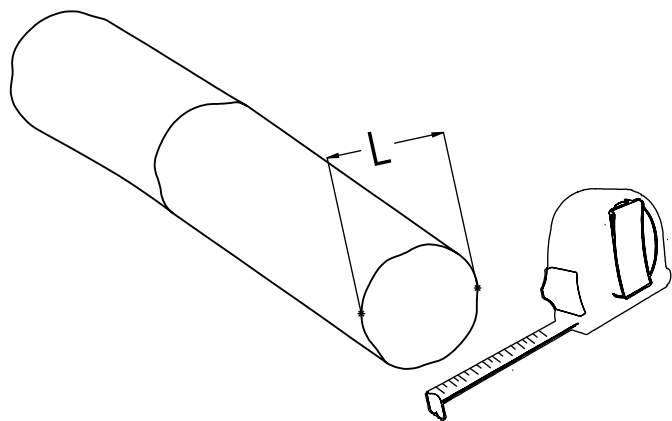
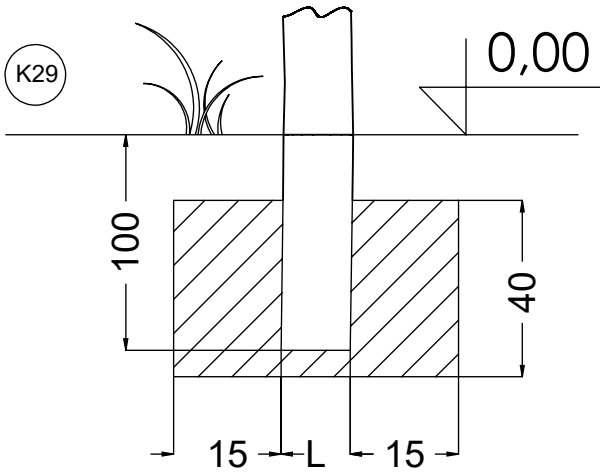
vinci
play



[cm]



vinci
play



[cm]



7h



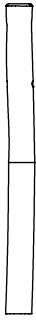
vinci
play



127383 (A)
x1



127384 (B)
x1



127402 (C)
x1



127385 (D)
x1



127386 (E)
x1



127387 (F)
x1



127388 (G)
x1



127389 (H)
x1



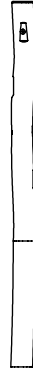
127391 (I)
x1



127395 (J)
x1



127392 (K)
x1



127394 (L)
x1



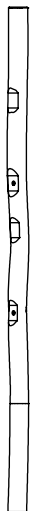
127393 (M)
x1



127396 (N)
x1



127397 (O)
x1



127398 (P)
x1



127390 (Q)
x1



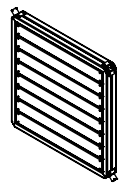
127399
x1



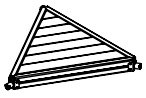
127400
x1



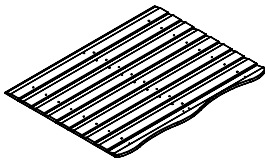
127401
x1



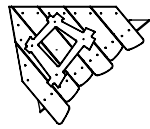
124100
x3



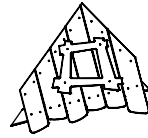
124108
x2



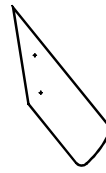
124133
x4



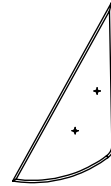
124132
x2



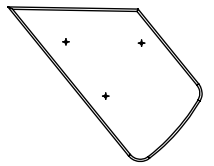
124135
x2



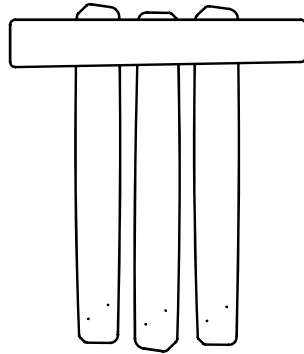
128230
128118
x2



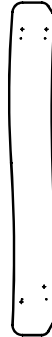
128229
128117
x2



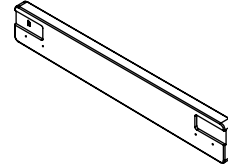
128237
128125
x2



124104
x3



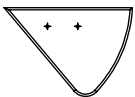
128181
x12



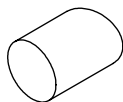
128107
x6



128103
x2



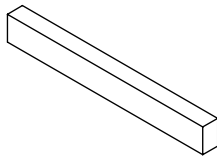
128238
128126
x2



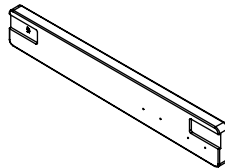
128172
x2



128178
x2



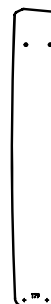
128169
x3



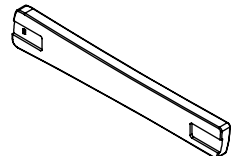
128197
x3



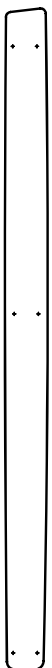
128113
x2



128179
x2



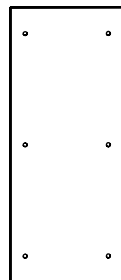
128168
x1



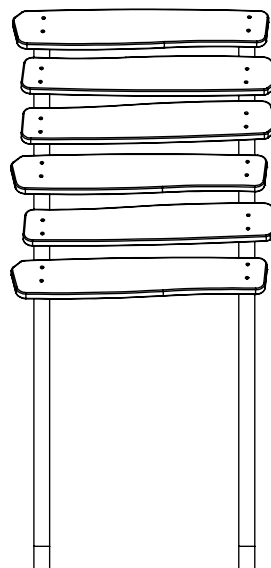
128199
x4



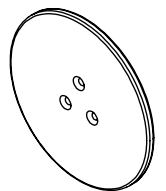
128198
x6



121129
x1



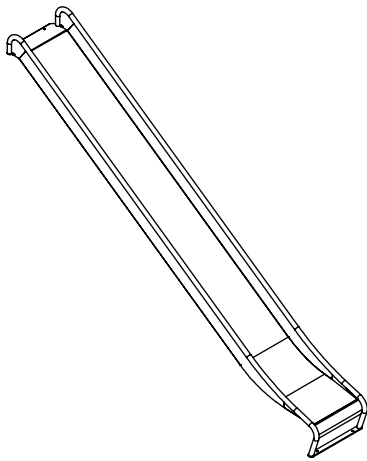
124109
x1



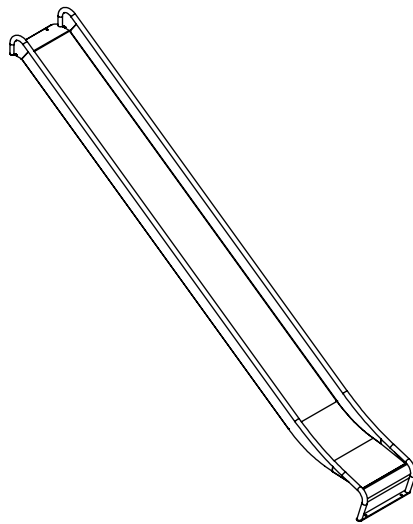
121103
x3

[cm]

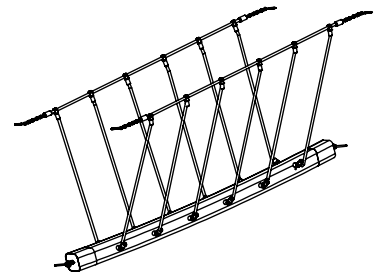
vinci
play



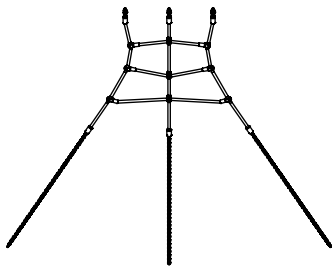
994173
x1



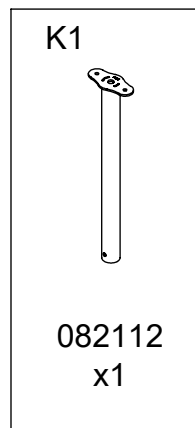
994174
x1



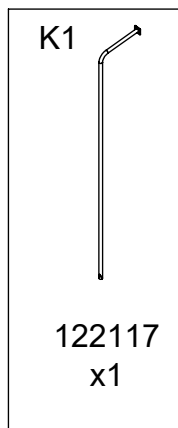
124125
x1



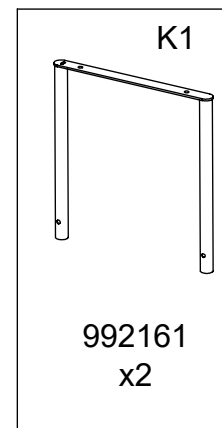
125100
x1



082112
x1



122117
x1



992161
x2



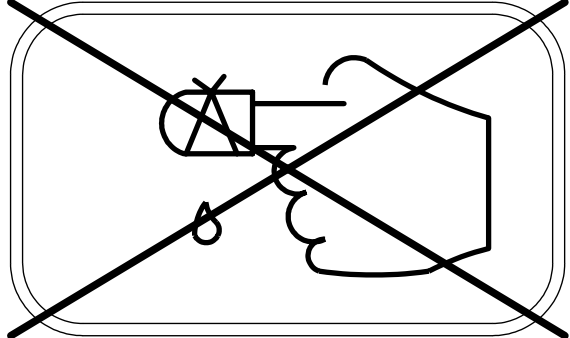
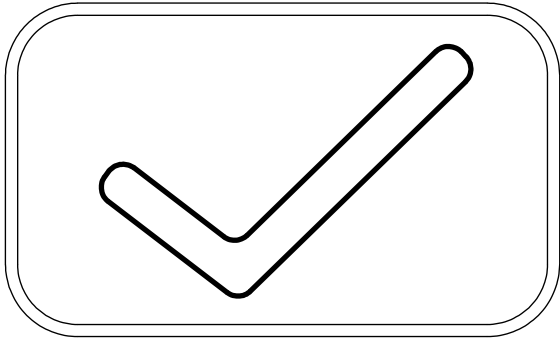
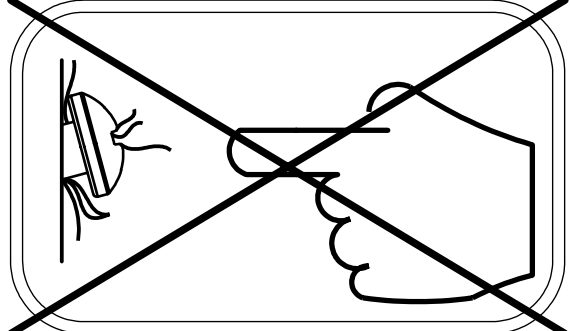
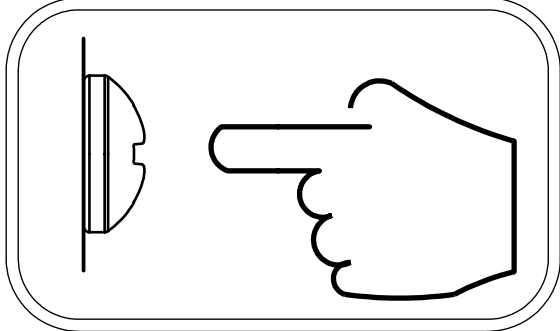
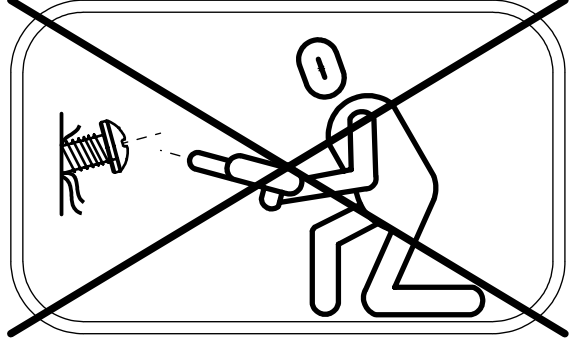
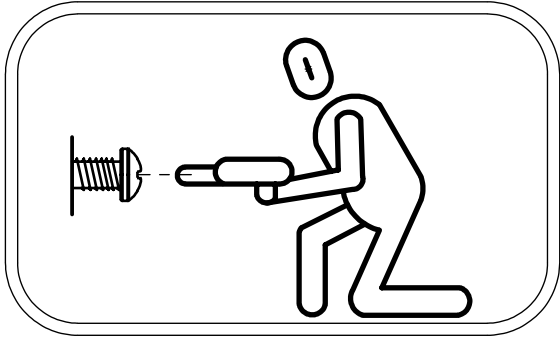
125119
x1

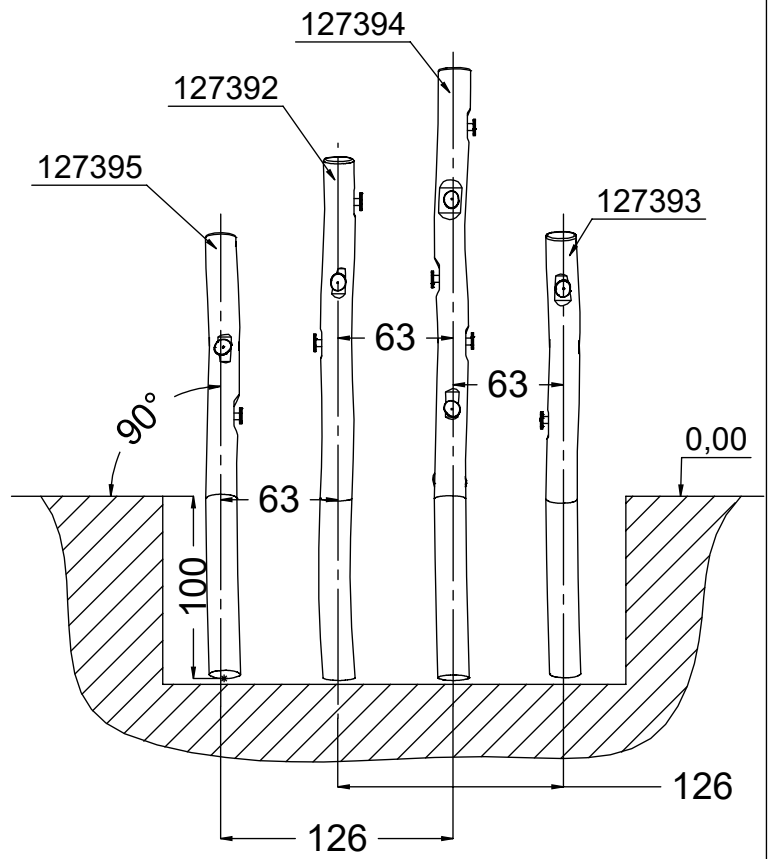
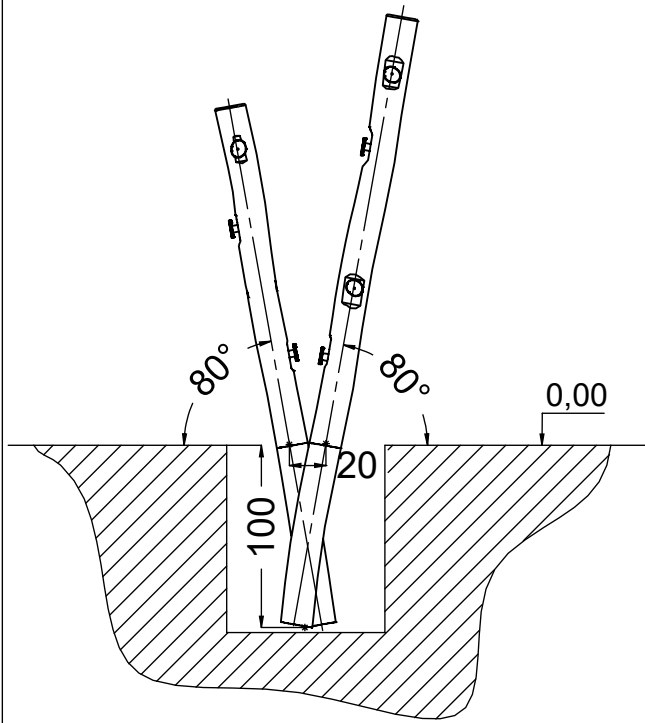


125102
x1

78x	5x30sxs
218x	5x50sxs
14x	5x80sxs
12x	7x35sxi
54x	8x50sxi
26x	8x80sxt
15x	8x160sxt

2x	12e019
2x	12e030
4x	12e007
2x	12e027
2x	12e022
1x	12e051
1x	12e015
3x	12e052
3x	12e004
2x	12e003
1x	12e064
2x	12e065
1x	12e100
21x	121110
21x	123103
2x	b392
8x	b390
1x	b405
4x	b389
4x	b399
1x	GL
1x	V001



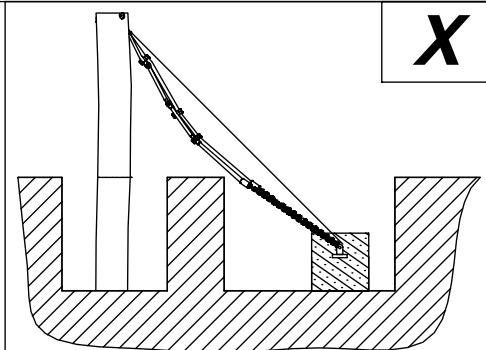


[cm]

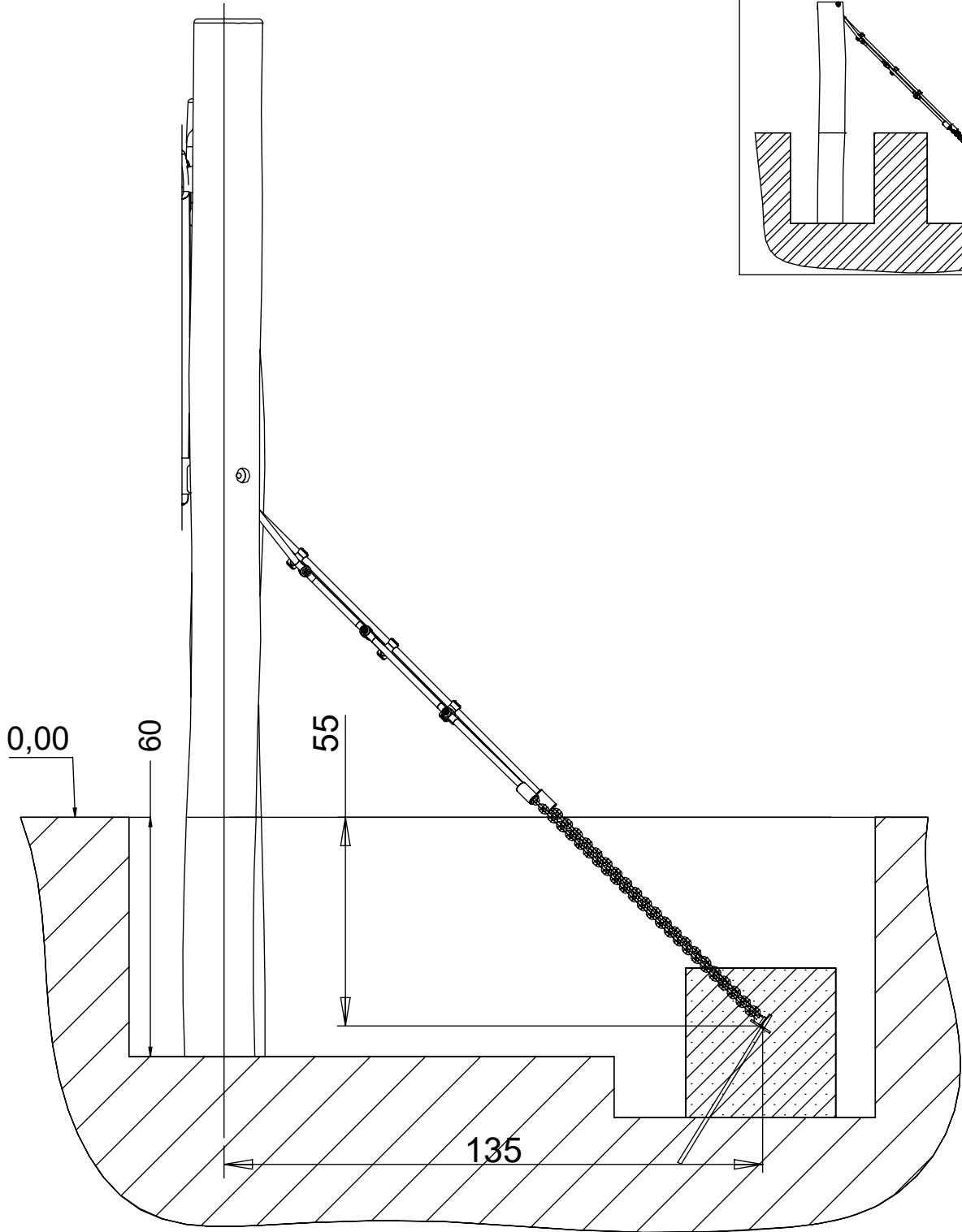
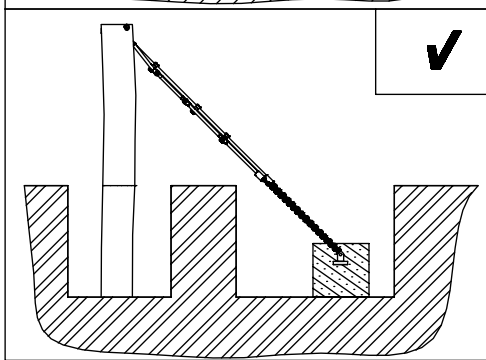


vinci
play

X



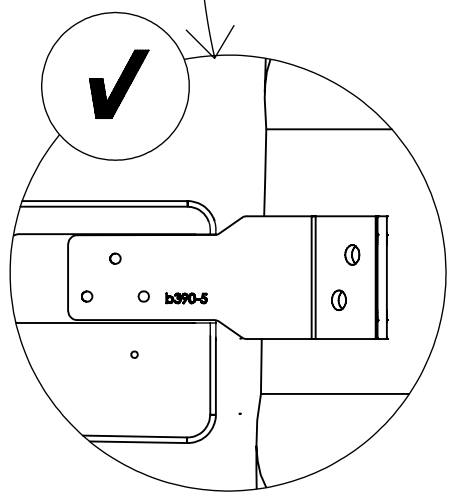
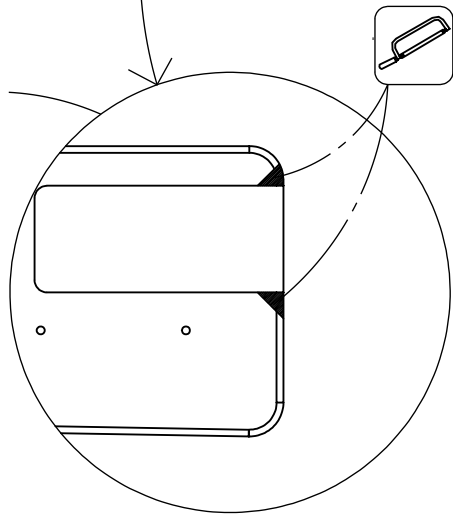
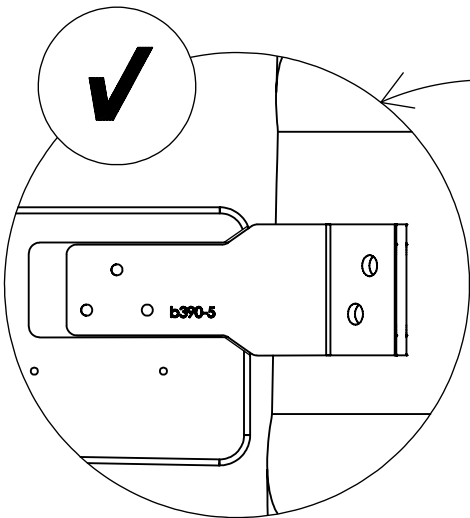
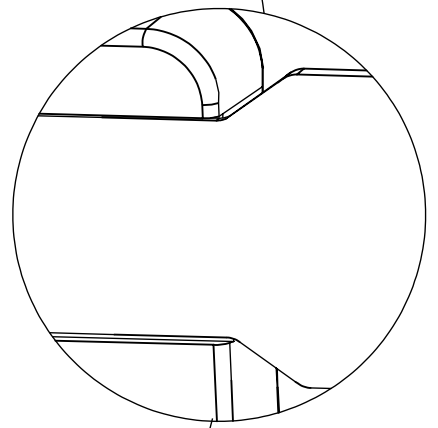
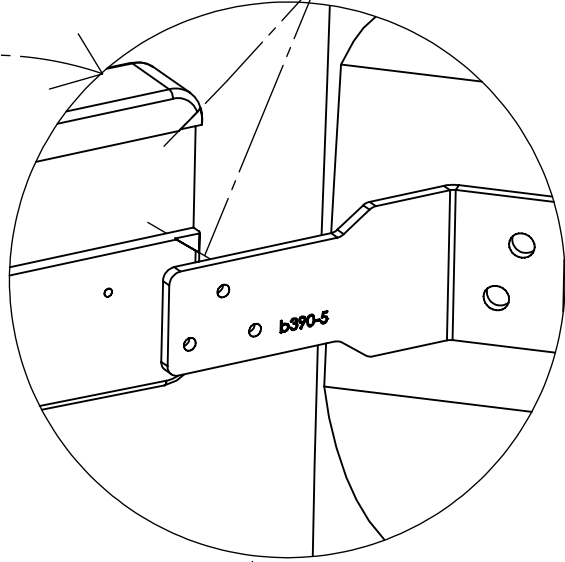
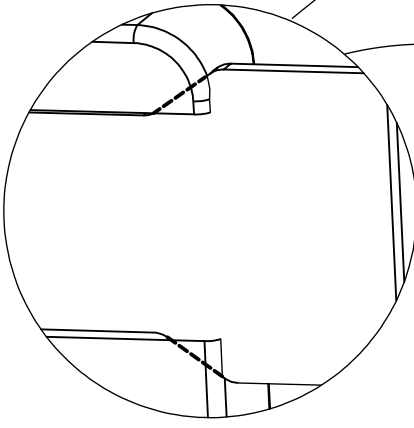
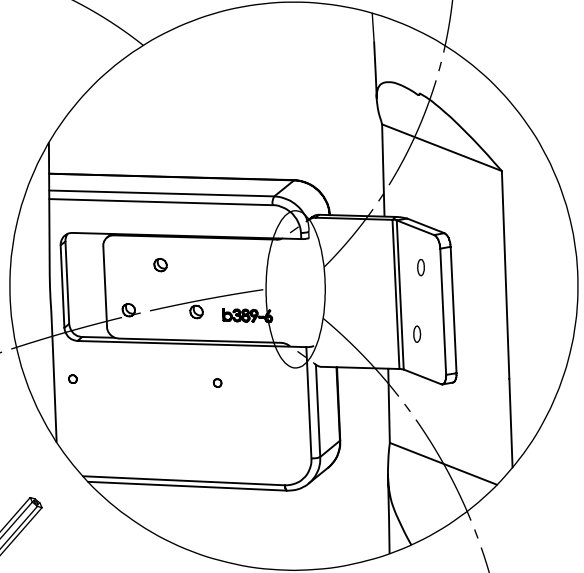
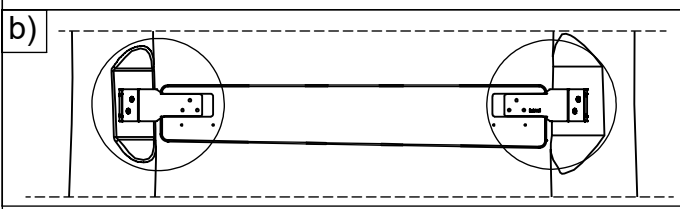
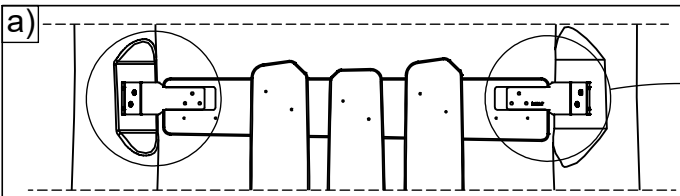
✓



[cm]

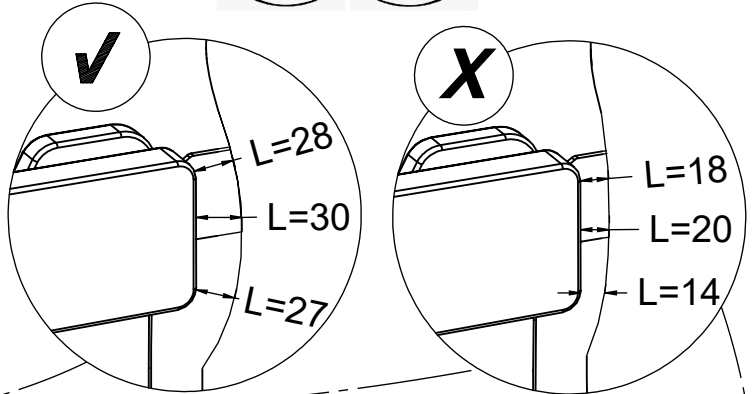
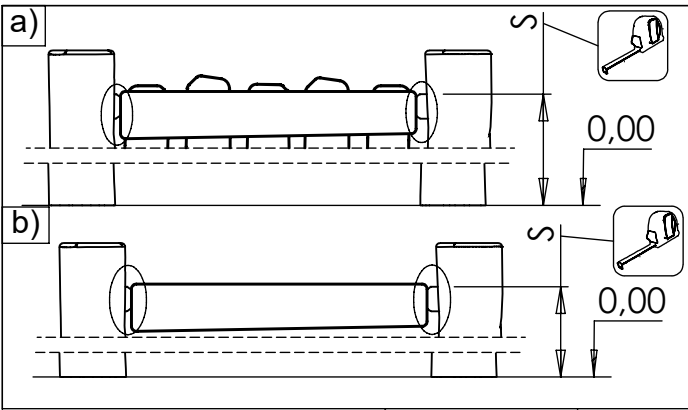


vinci play



[cm]

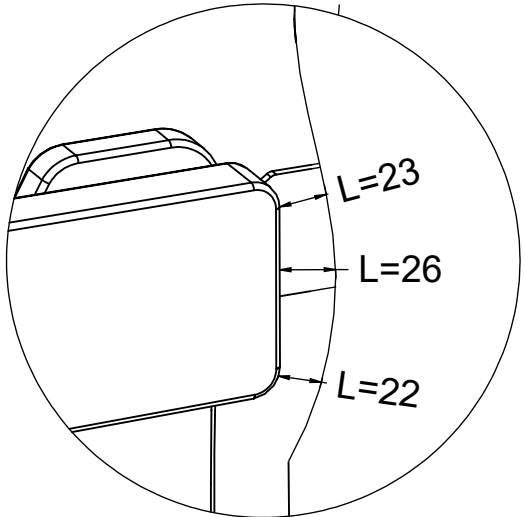
vinci
play



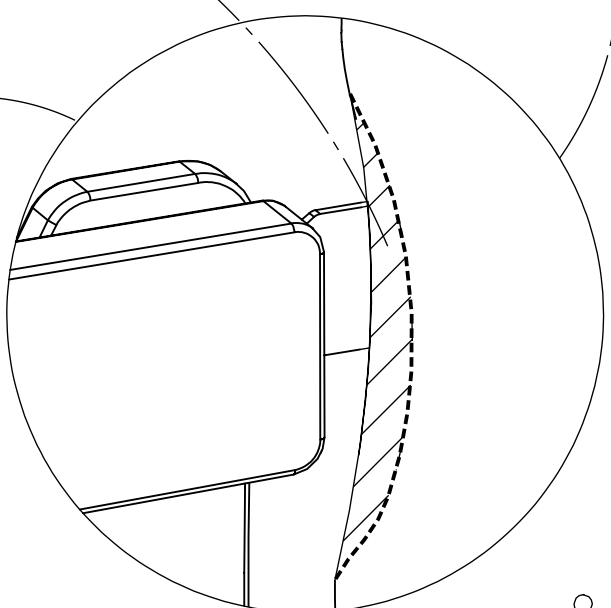
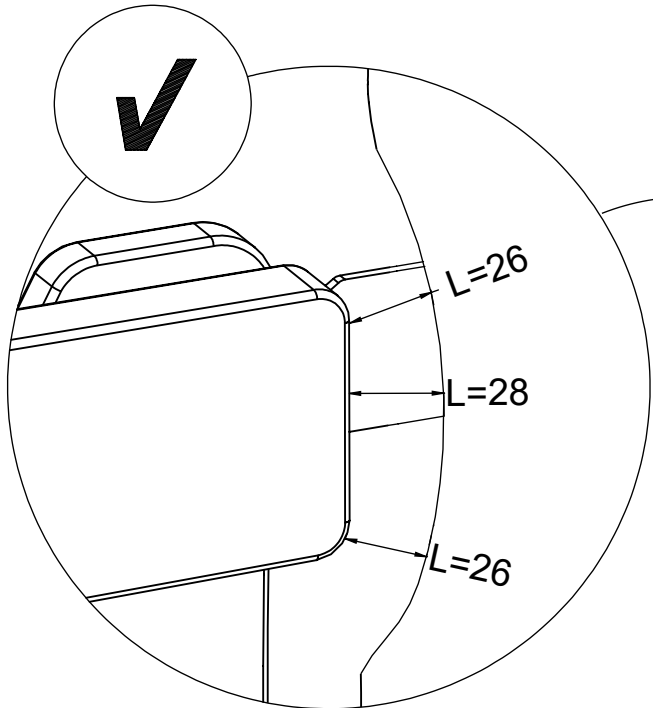
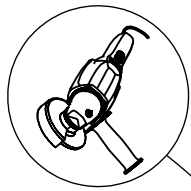
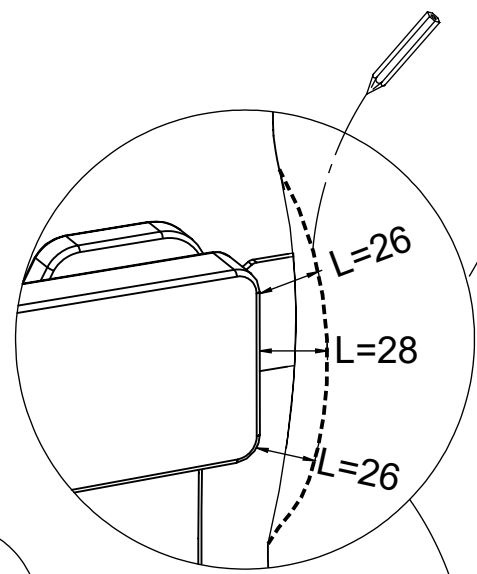
S < 97

S > 97

L > 25mm	✓	L ≤ 25mm	X
----------	---	----------	---



L > 25mm	✓
L ≤ 25mm	✓

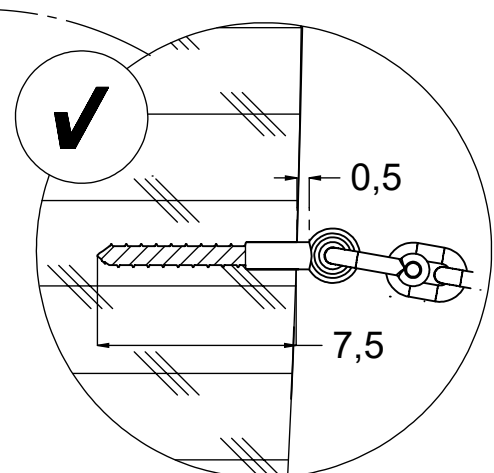
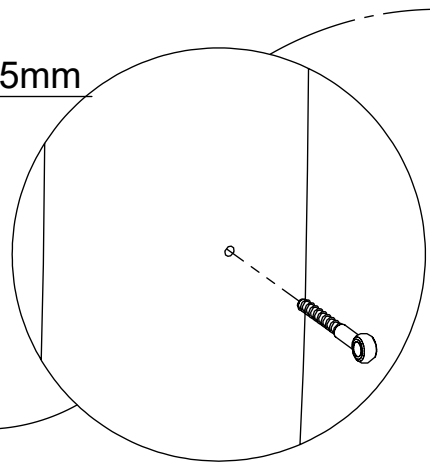
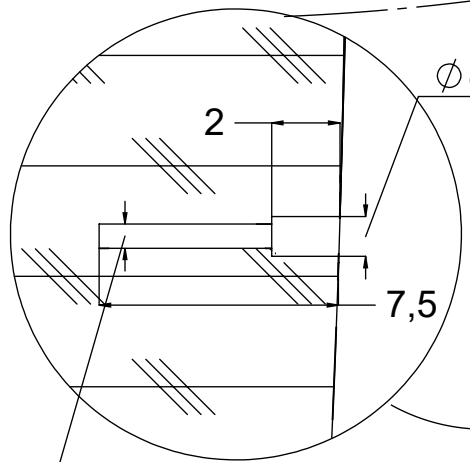
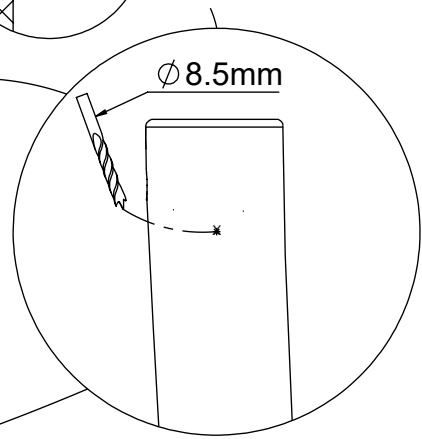
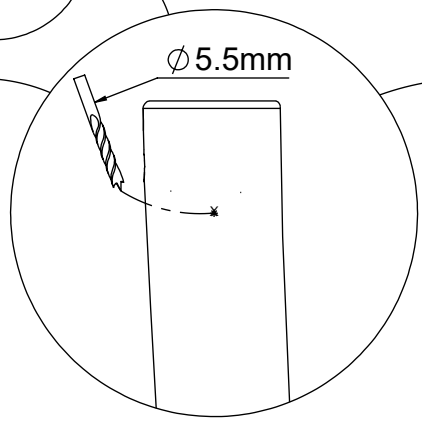
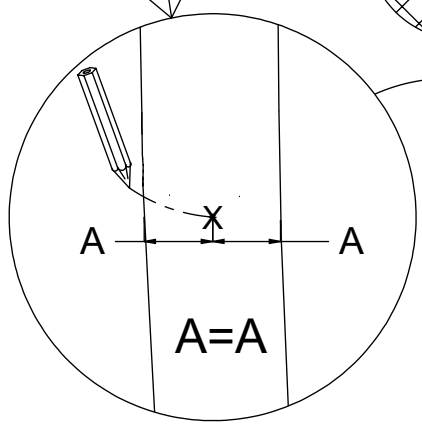
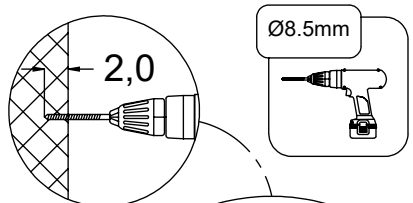
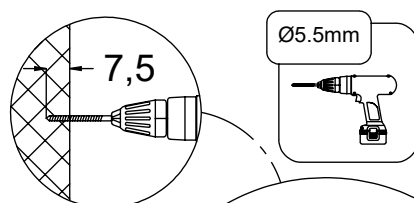
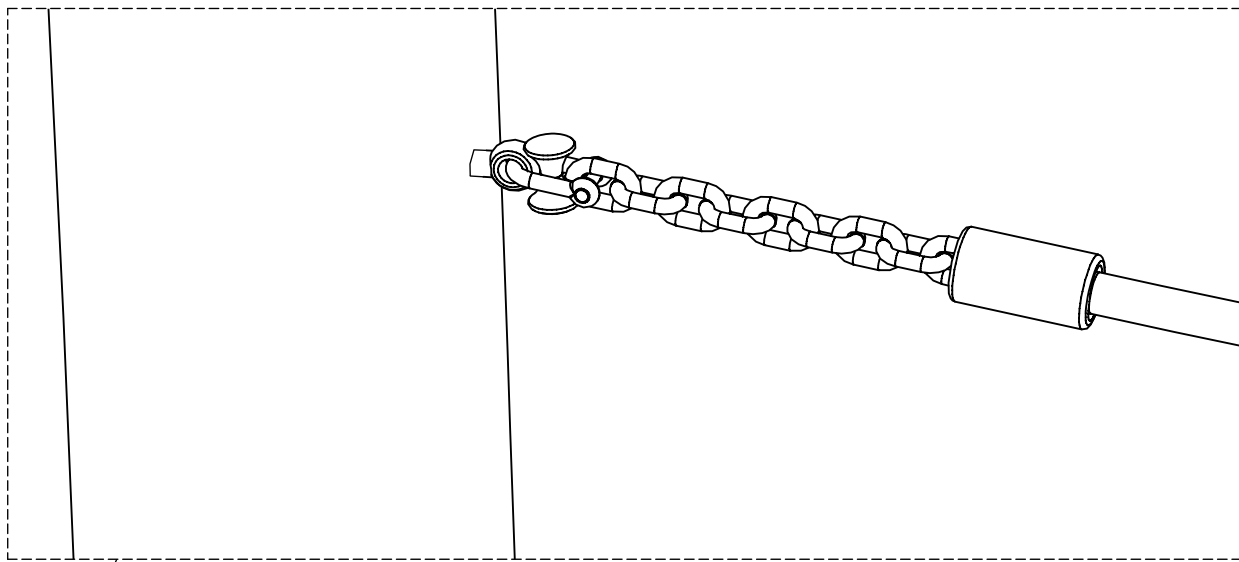


L > 25mm	✓
----------	---



[cm]

vinci play



Ø 5.5 mm

Ø 8.5mm

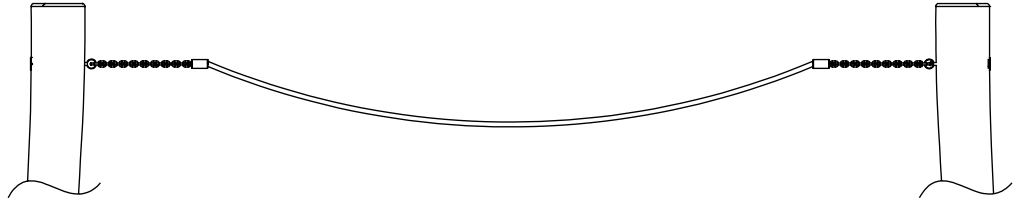
[cm]

vinci play

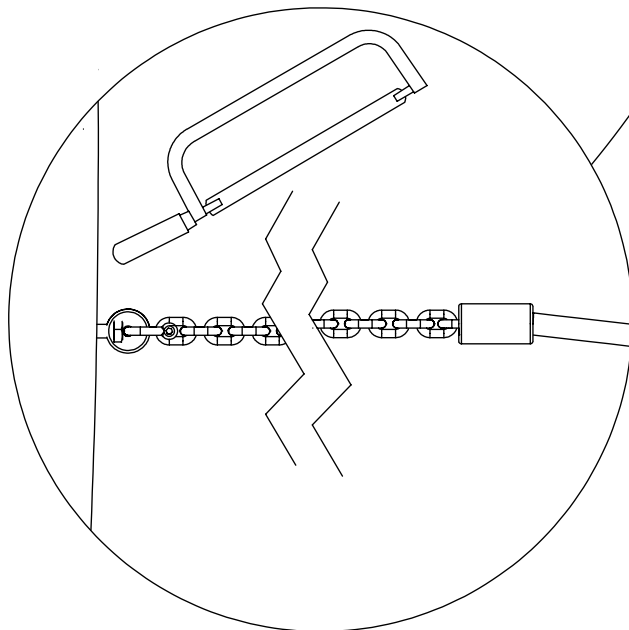
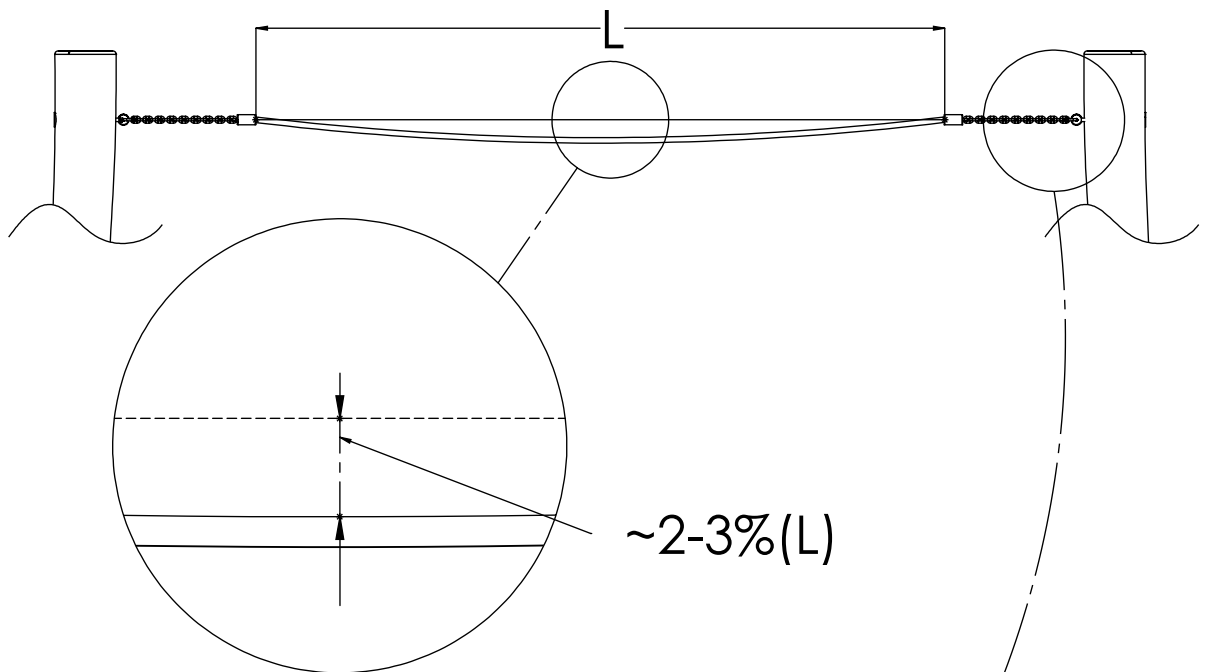
X

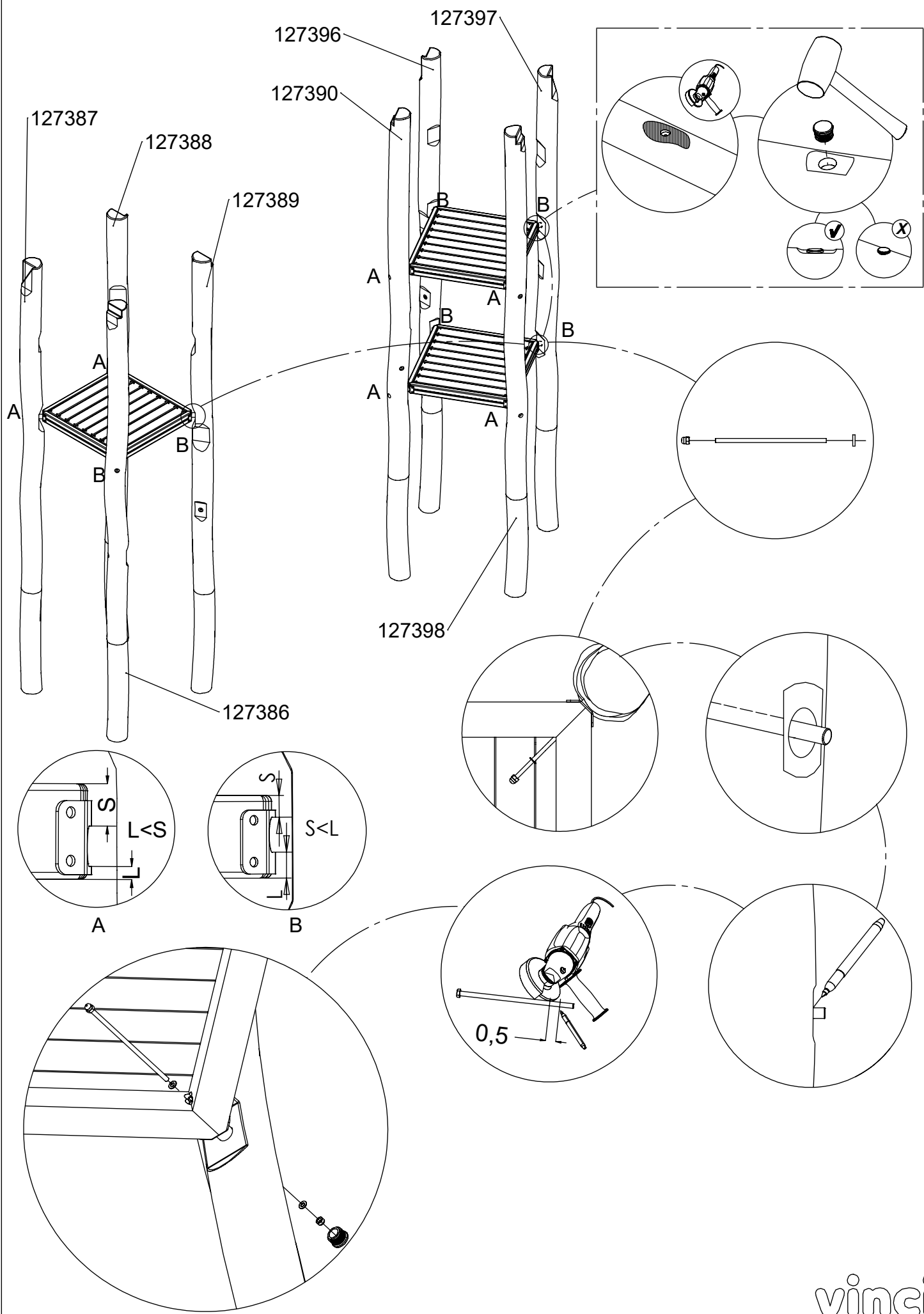


X



V





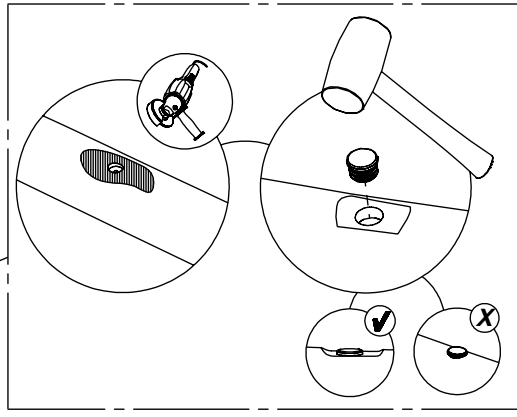
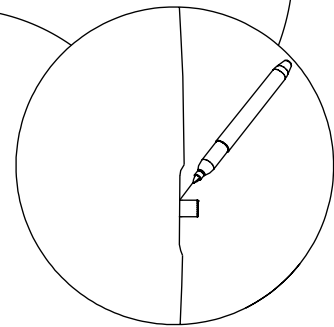
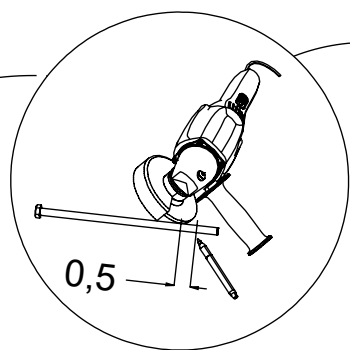
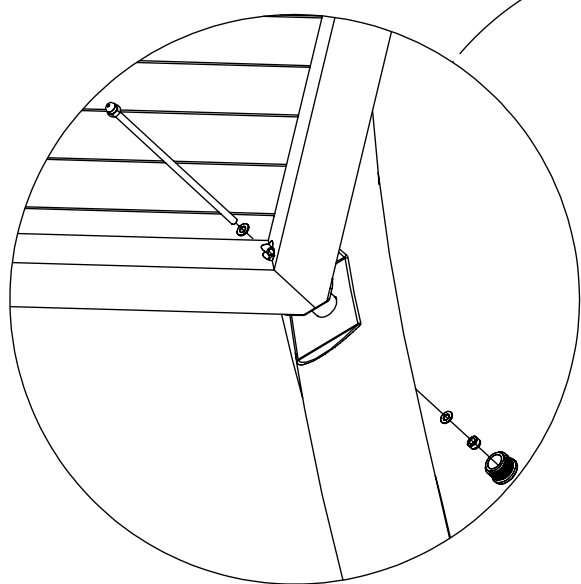
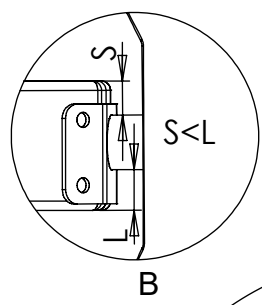
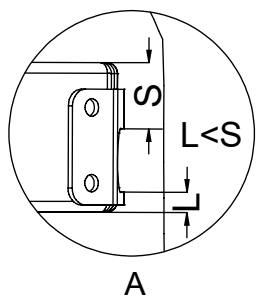
127396
127397
127390

127387
127388
127389

A B
A B
A B
A B

127398

127386

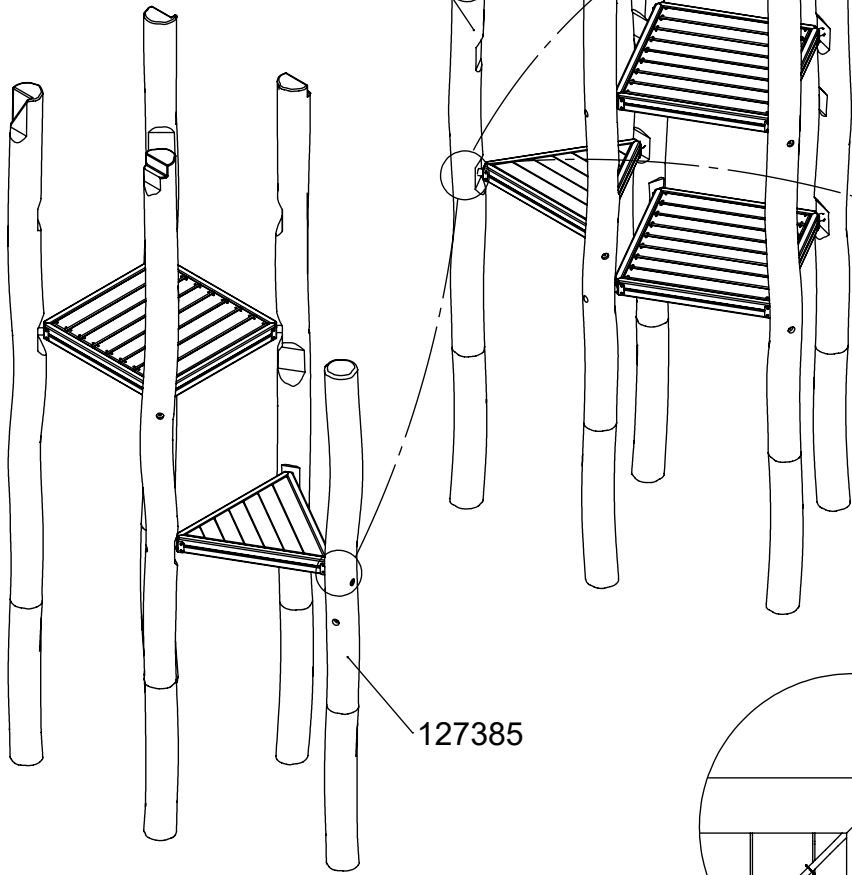
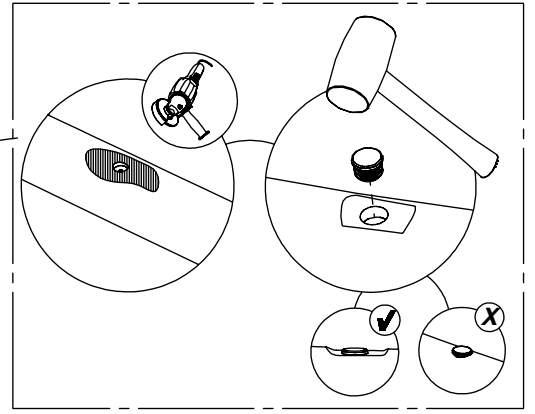


[cm]

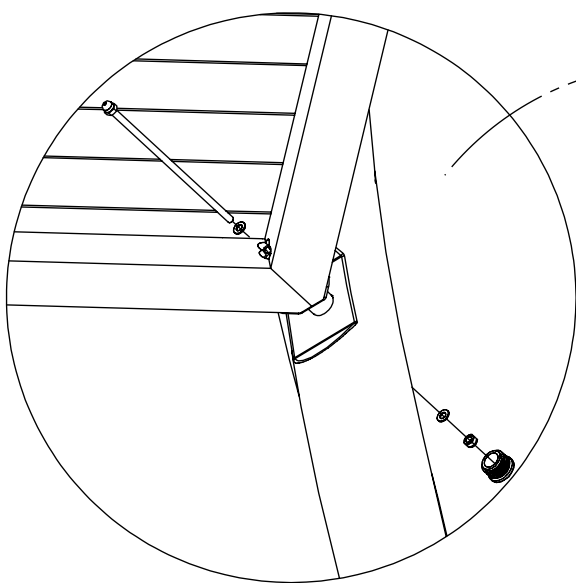
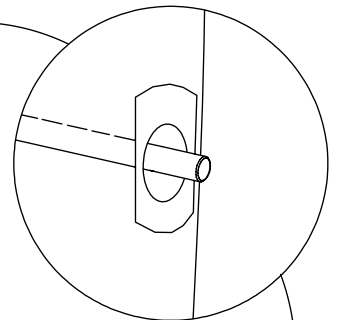
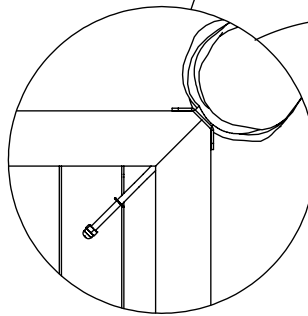
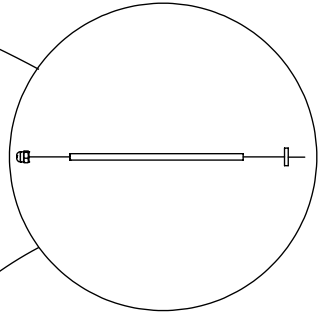
3x 12e004

vinci
play

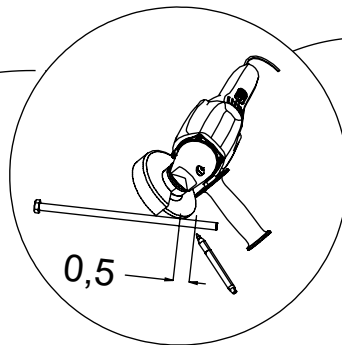
127391



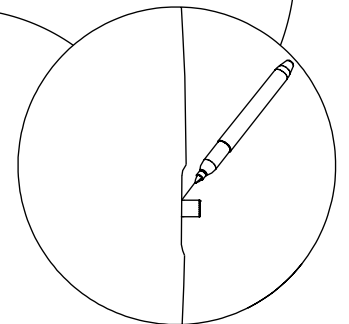
127385



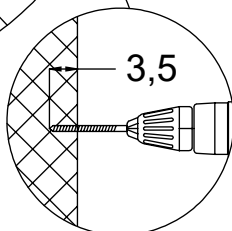
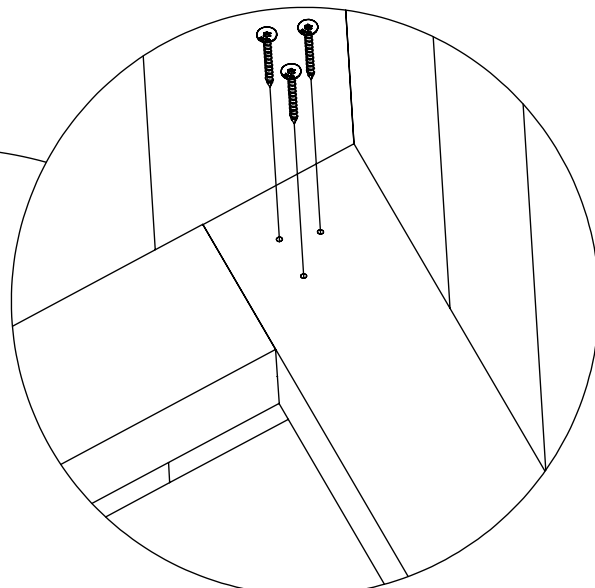
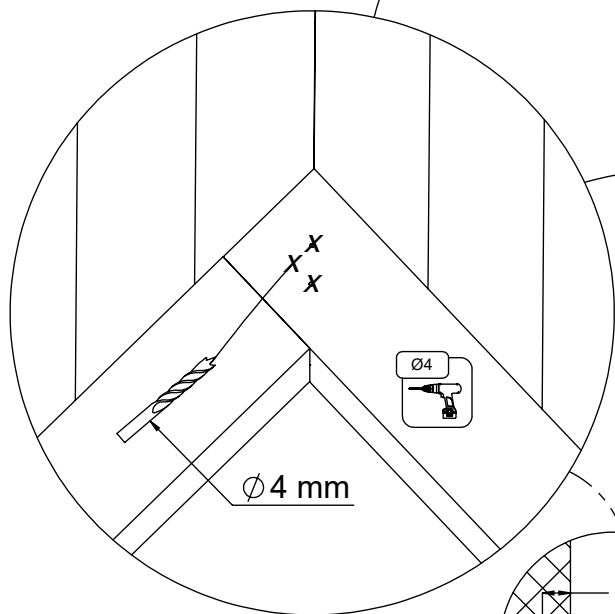
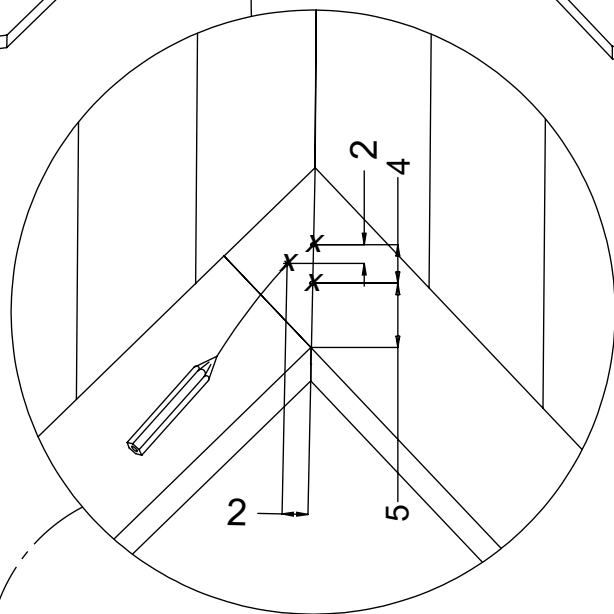
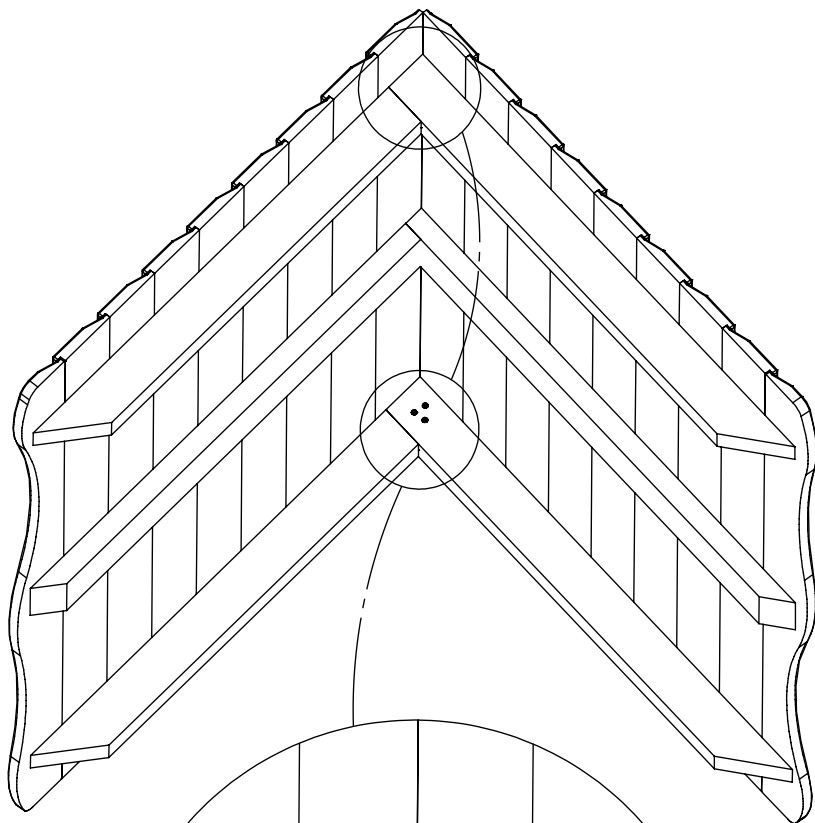
2x 12e003



0,5



2x

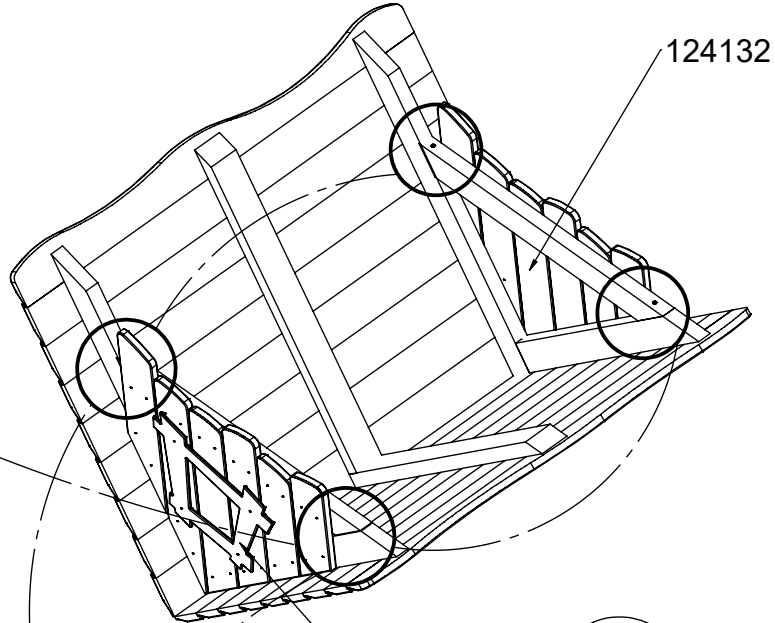
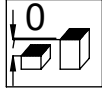
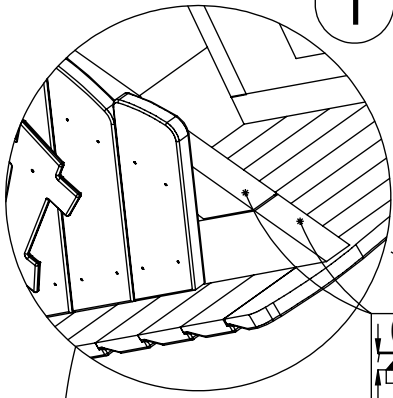


[cm]

vinci
play

2x

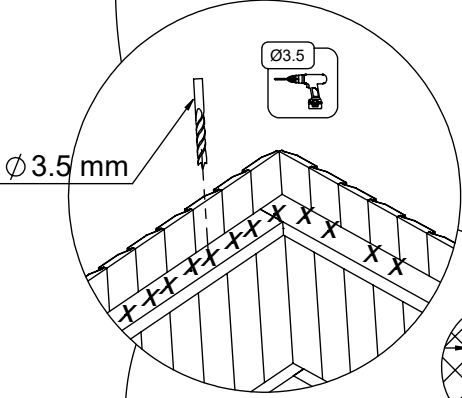
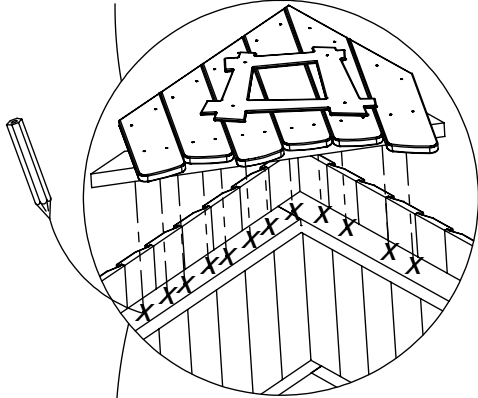
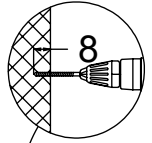
1



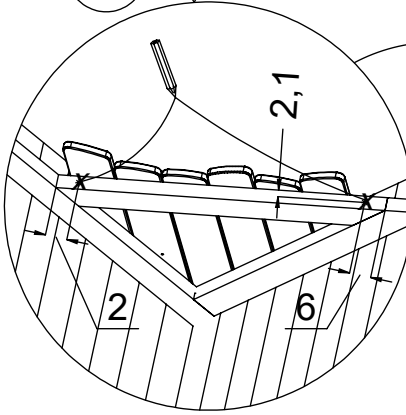
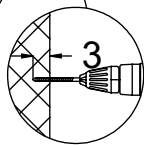
124132

124135

2



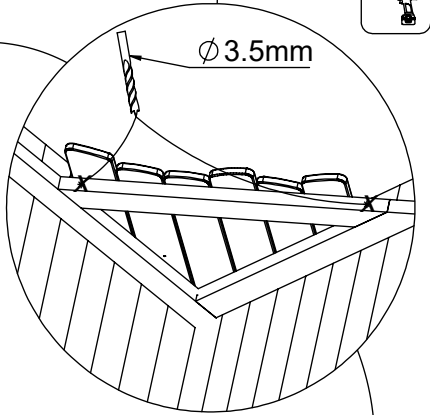
Ø 3.5 mm



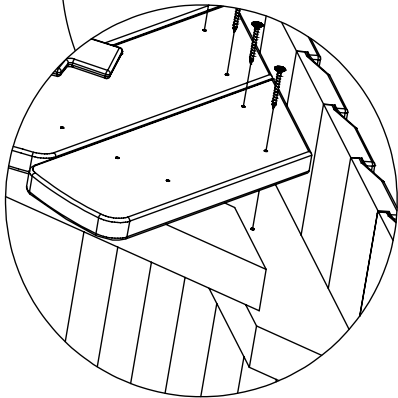
2,1

2

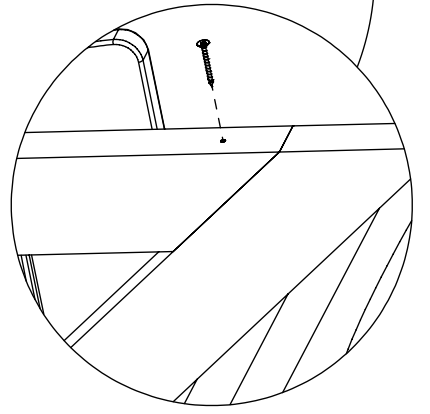
6



Ø 3.5 mm



24x 5x50sxs

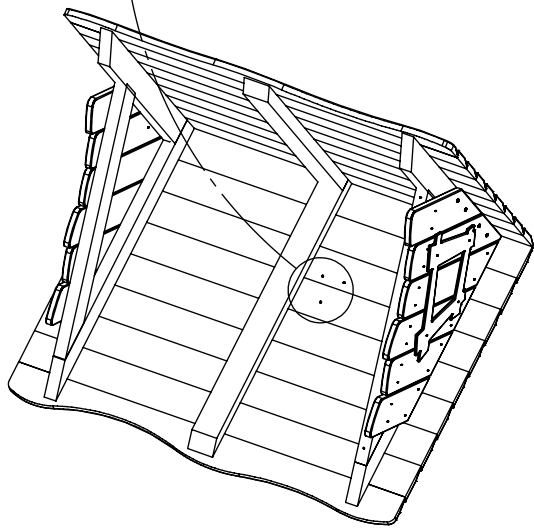
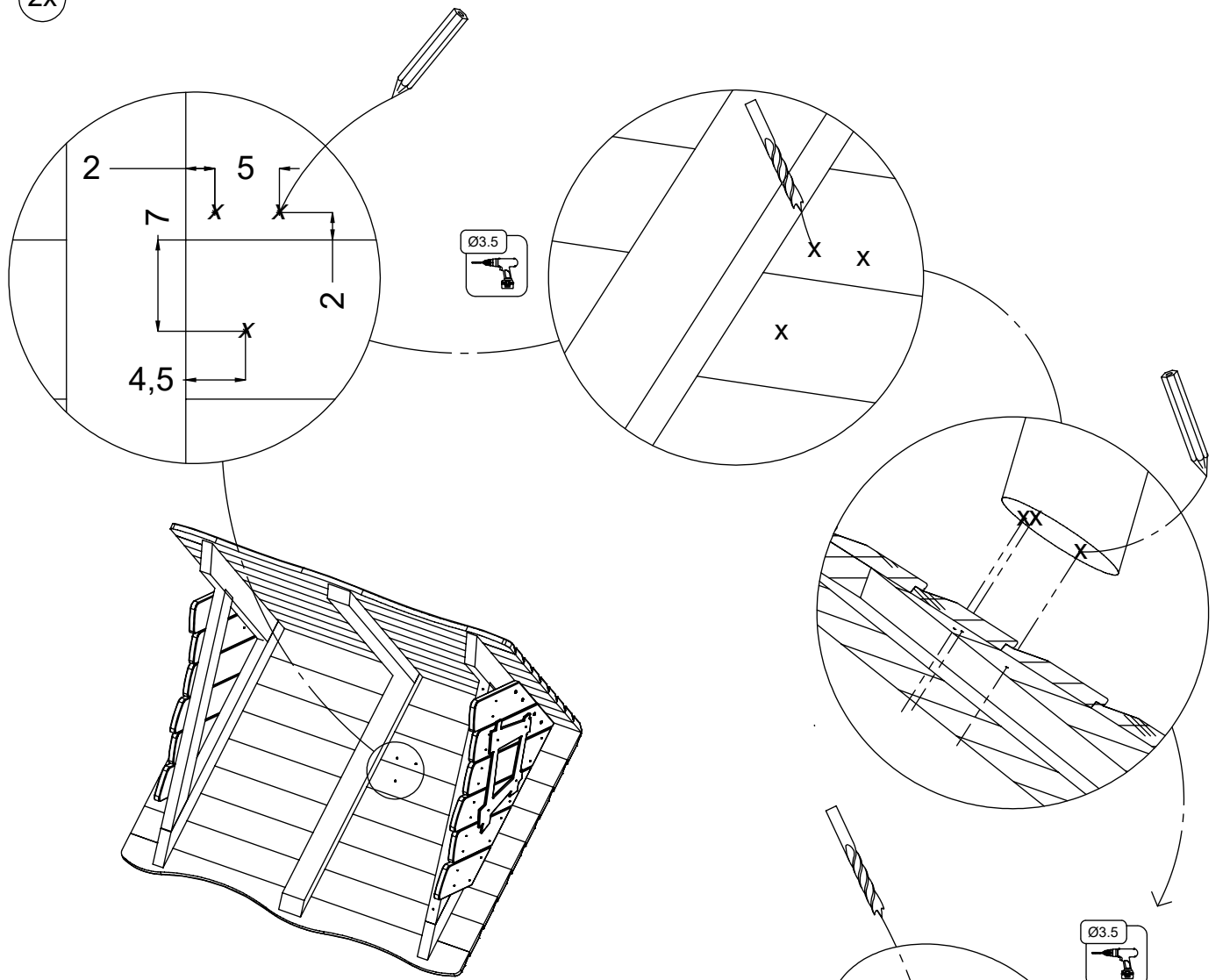


4x 5x80sxs

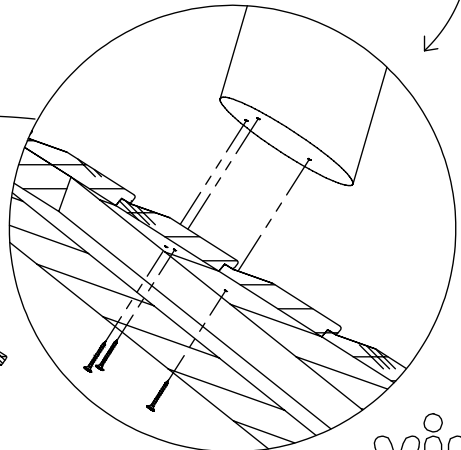
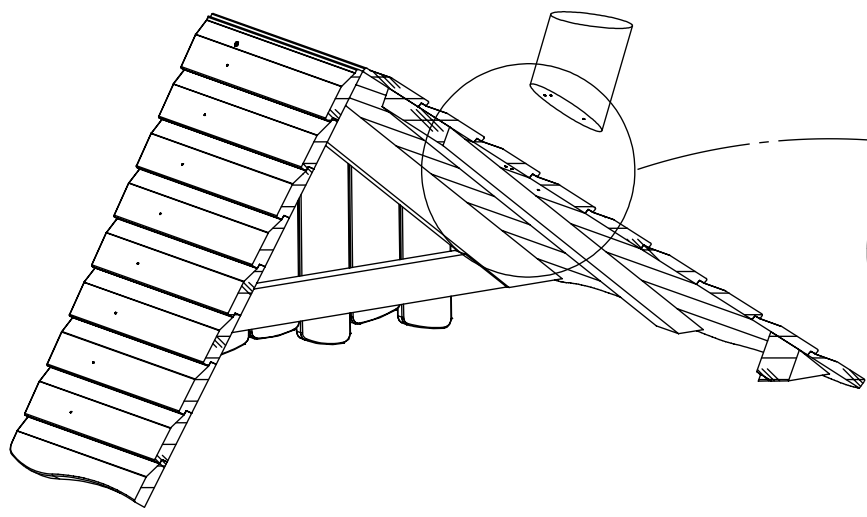
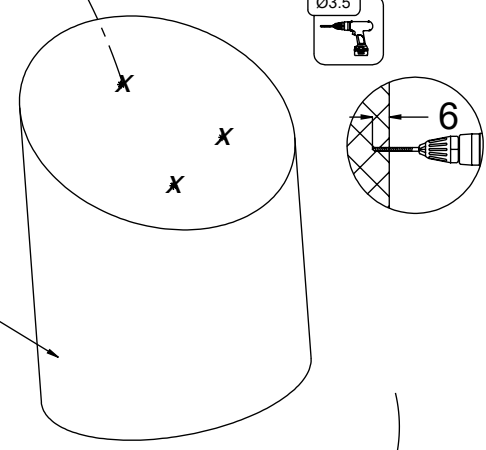
vinci play

[cm]

2x



128172



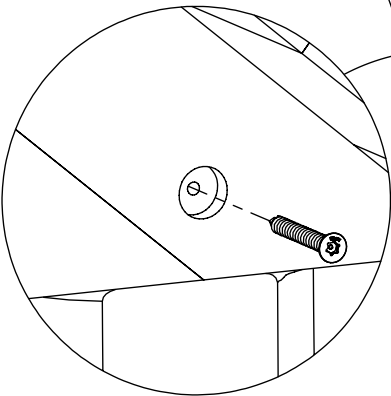
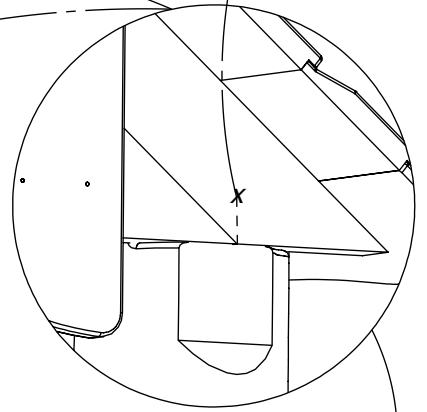
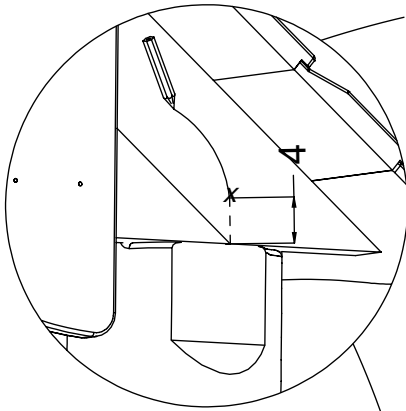
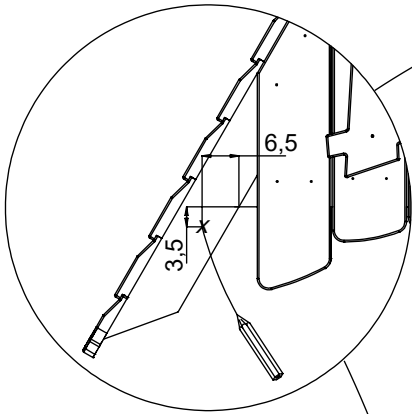
3x 5x80 sxs

vinci play

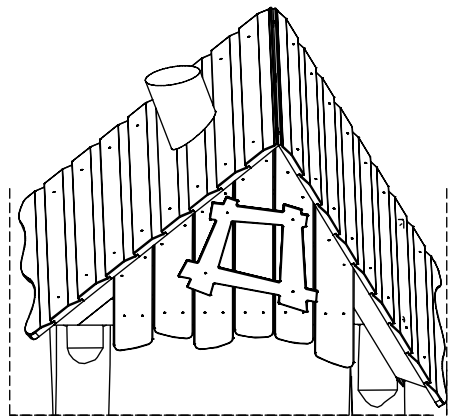
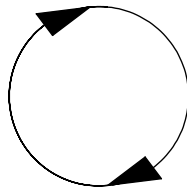
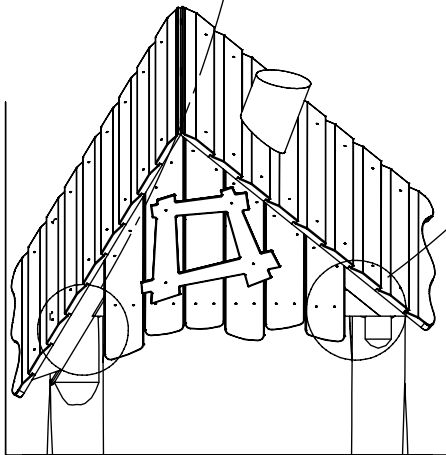
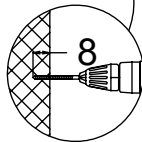
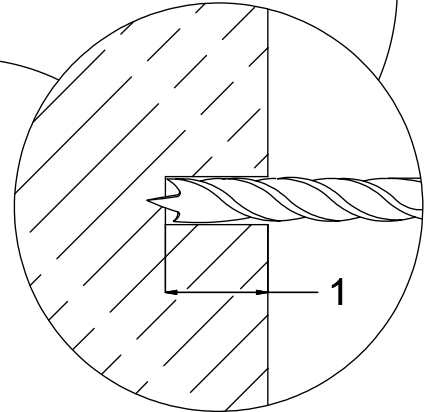
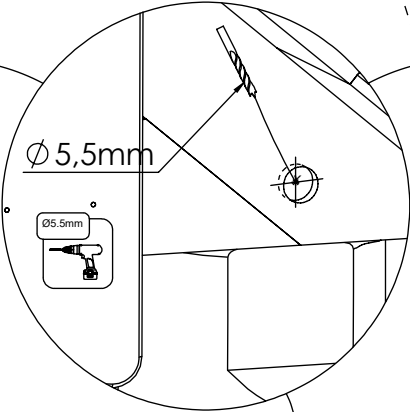
[cm]

2x

Ø24 mm



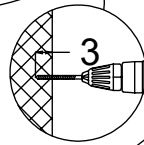
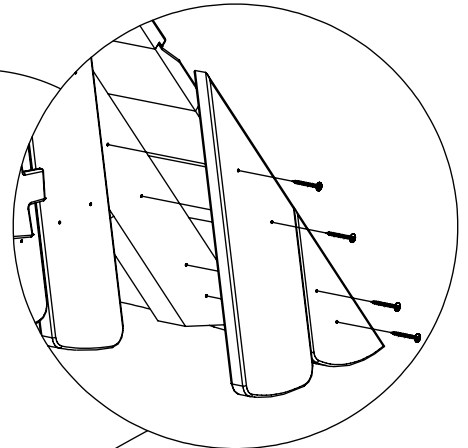
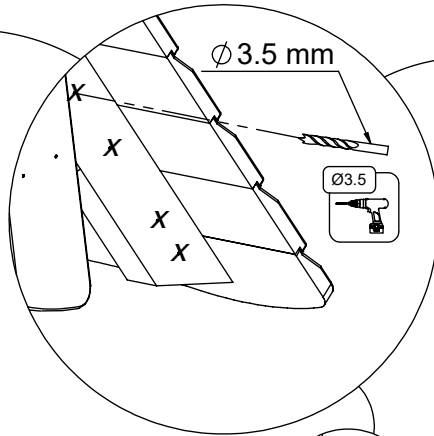
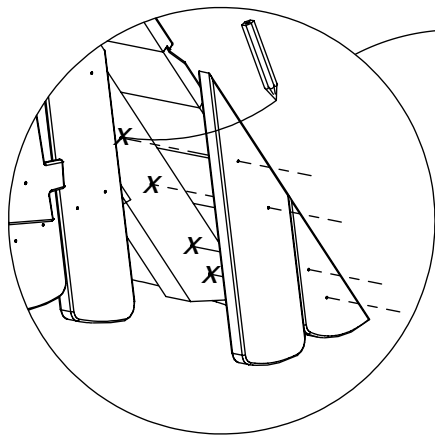
4x 8x80sxt



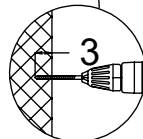
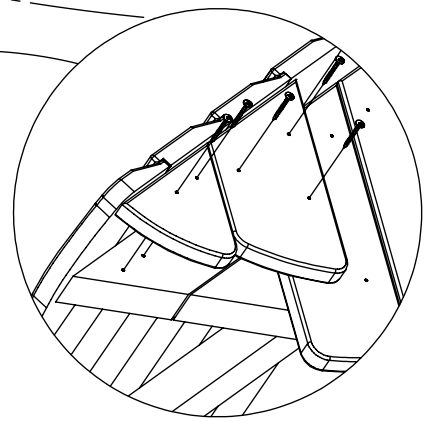
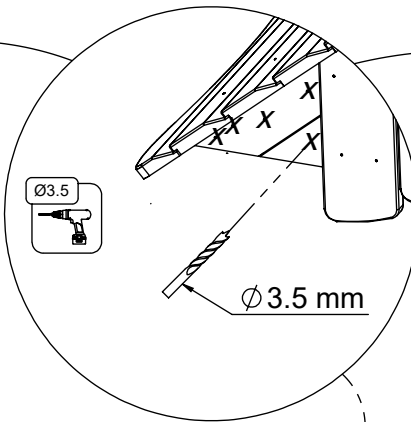
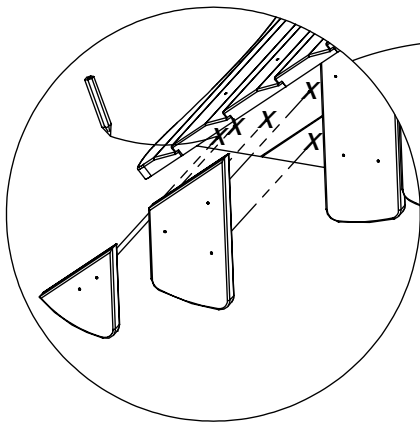
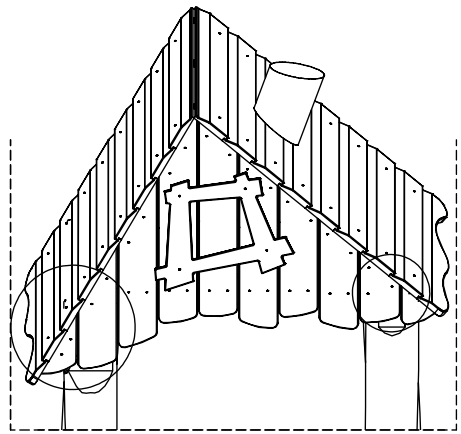
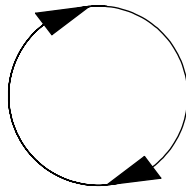
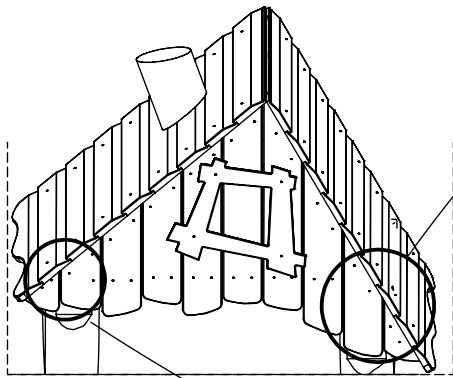
[cm]

vinci play

2x



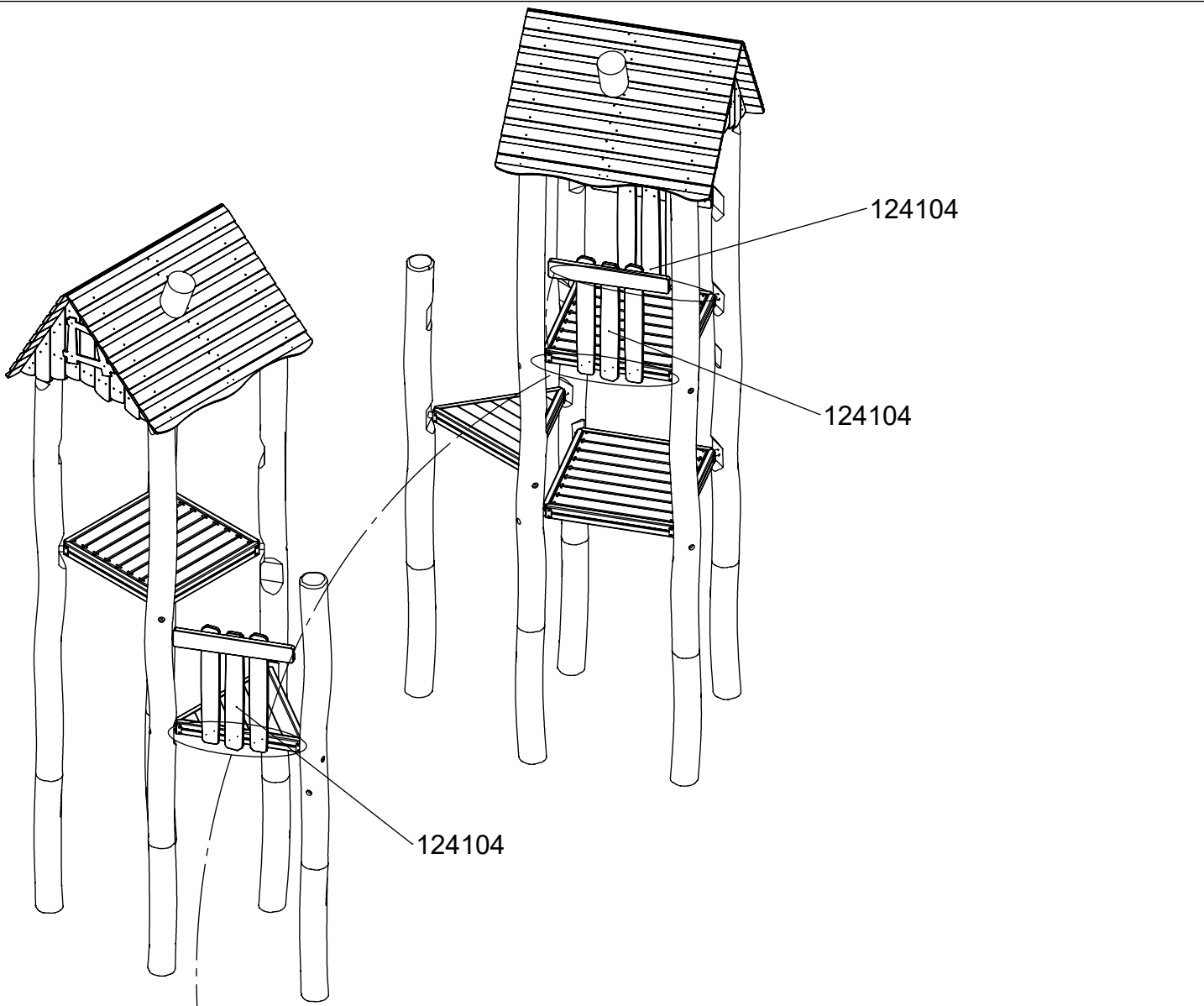
8x 5x50sxs



10x 5x50sxs

[cm]

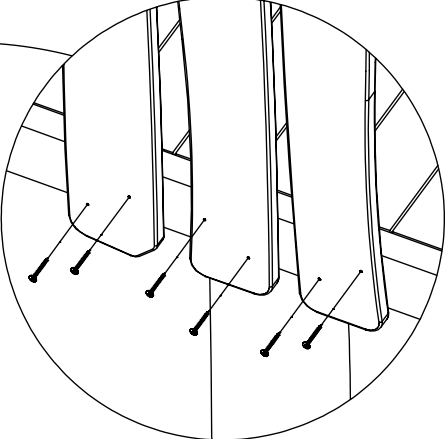
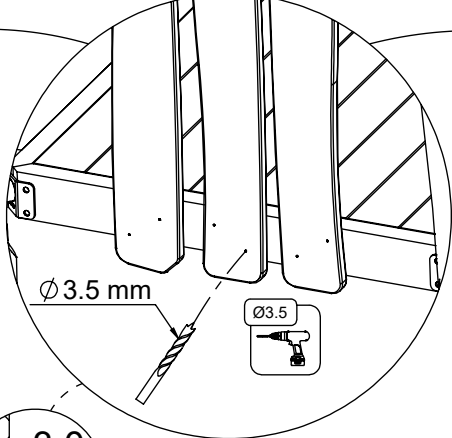
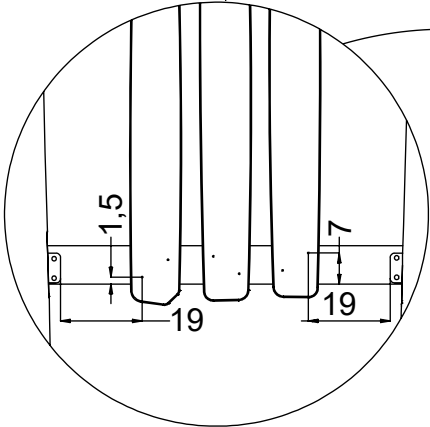
vinci
play



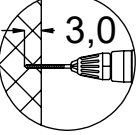
124104

124104

124104

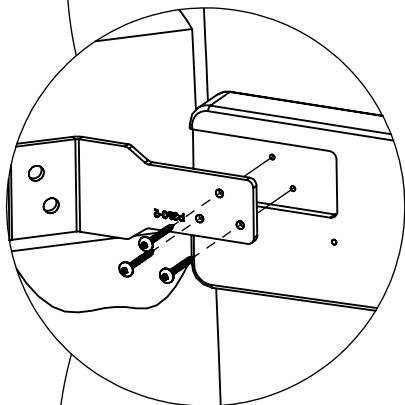
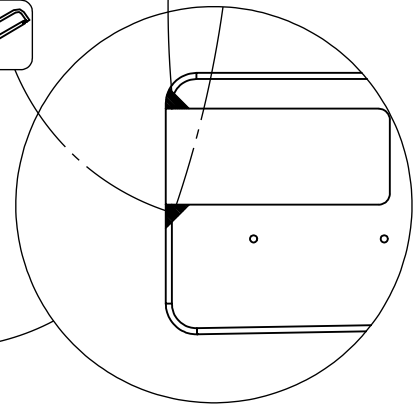
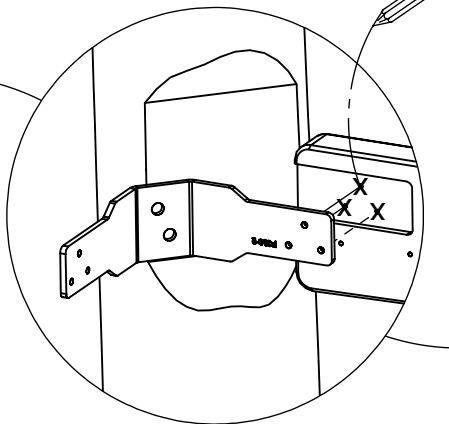
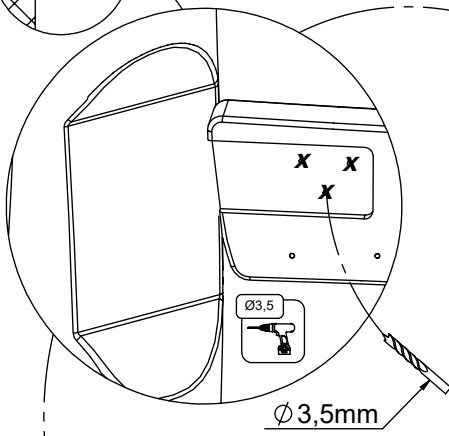
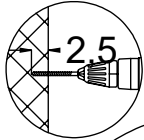
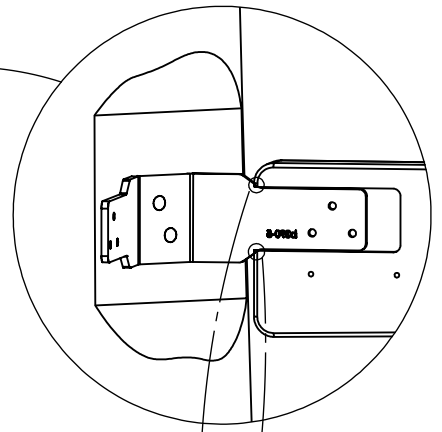
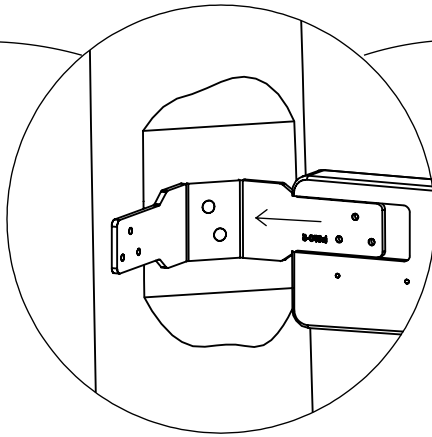
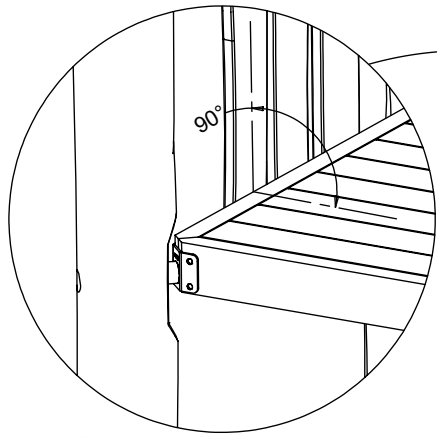


18x 5x50sxs

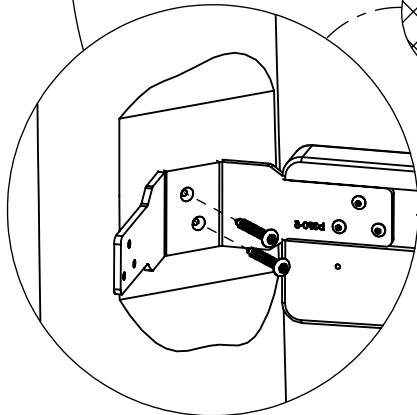
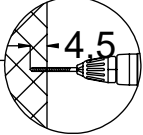
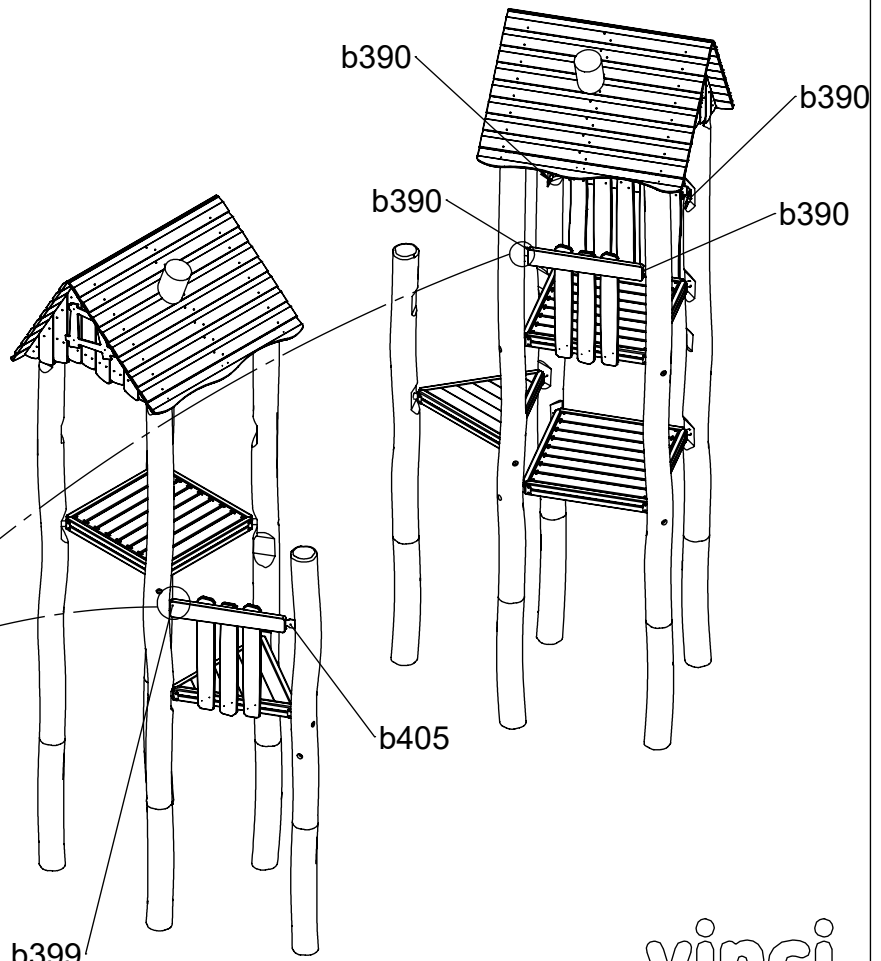


[cm]

vinci
play



18x5x30sxs



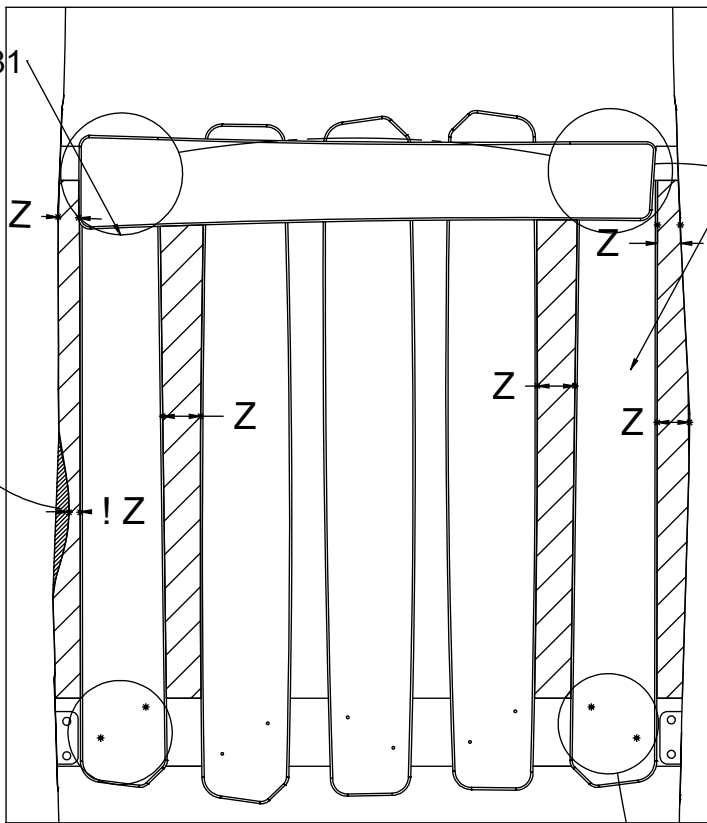
12x8x50sxi

b399

vinci play

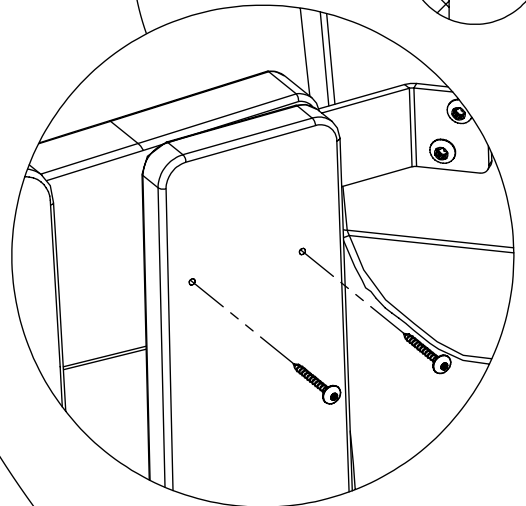
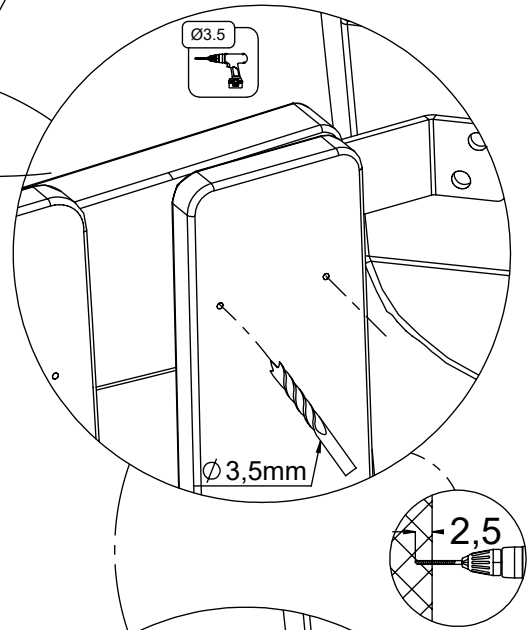
[cm]

4x 128181

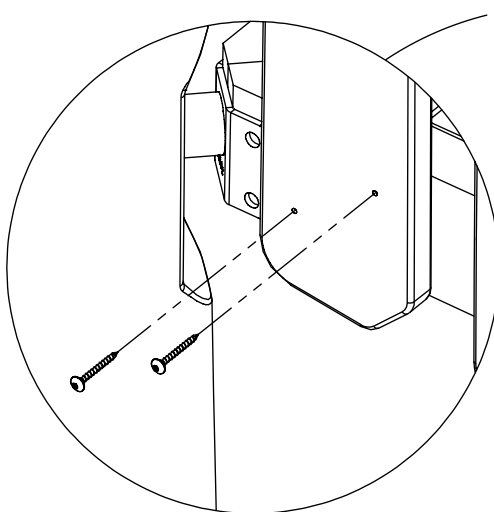


! 30mm < Z < 85mm

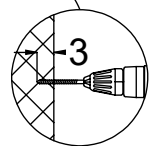
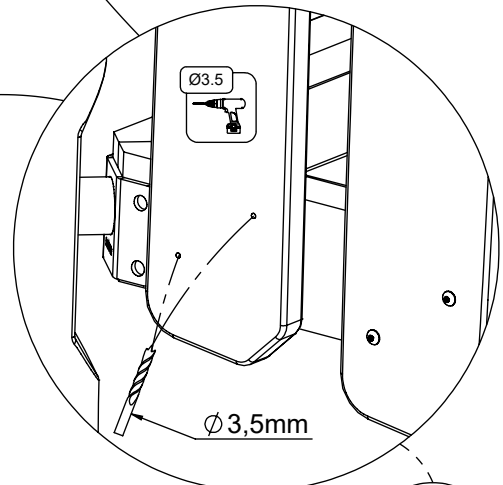
4x 128181

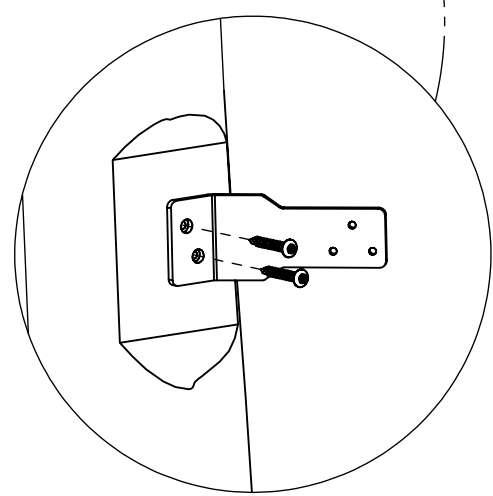
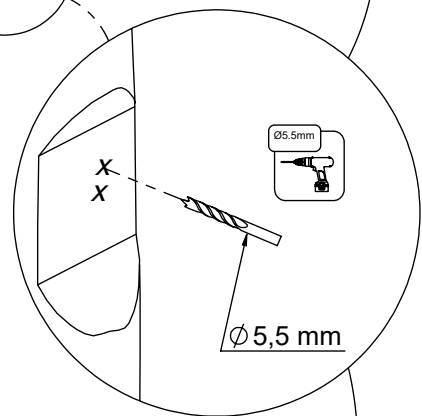
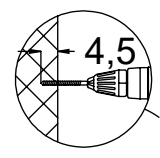
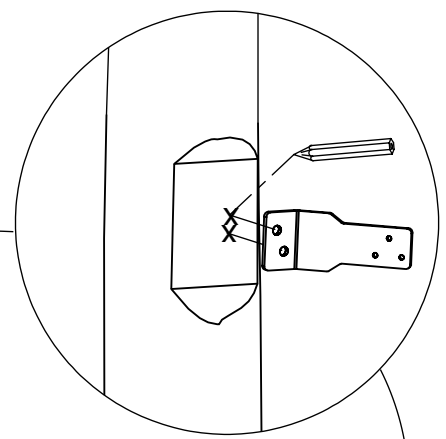
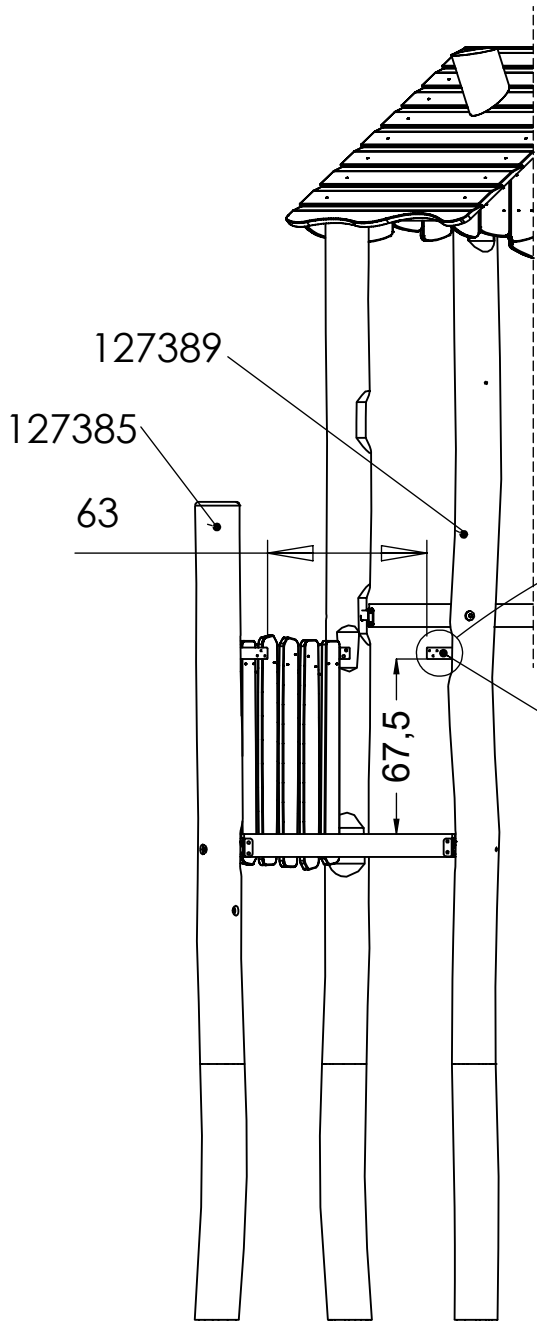


12x 5x50sxs



16x 5x50sxs

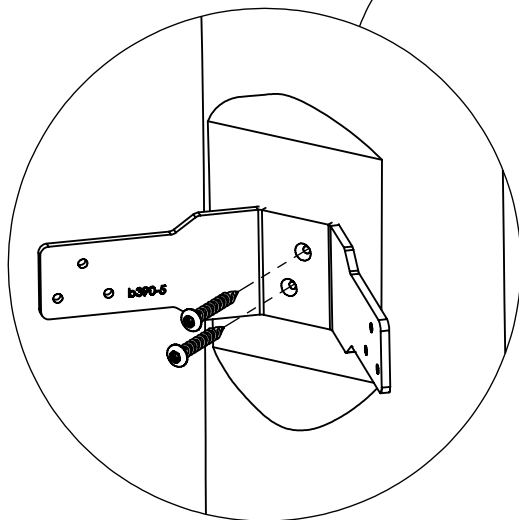
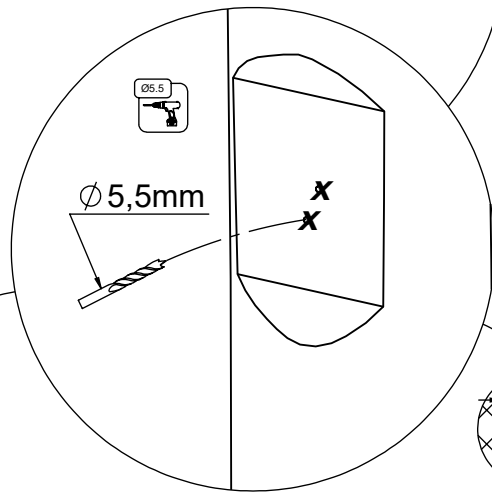
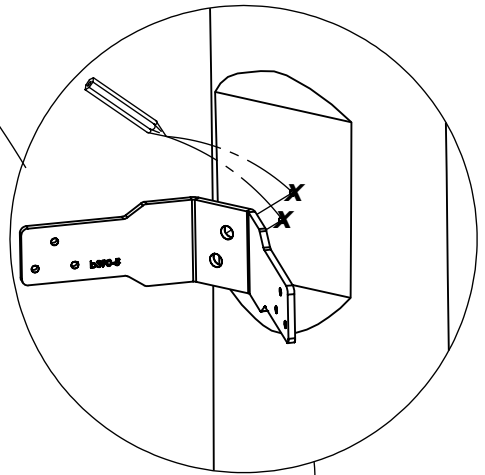
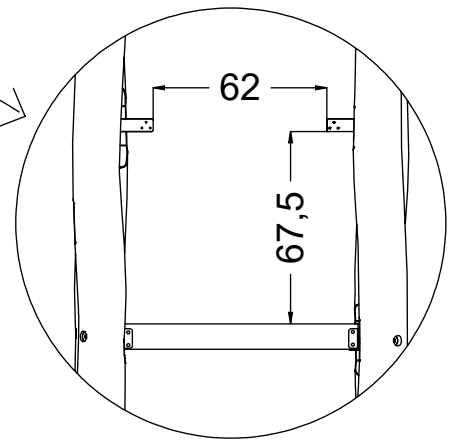
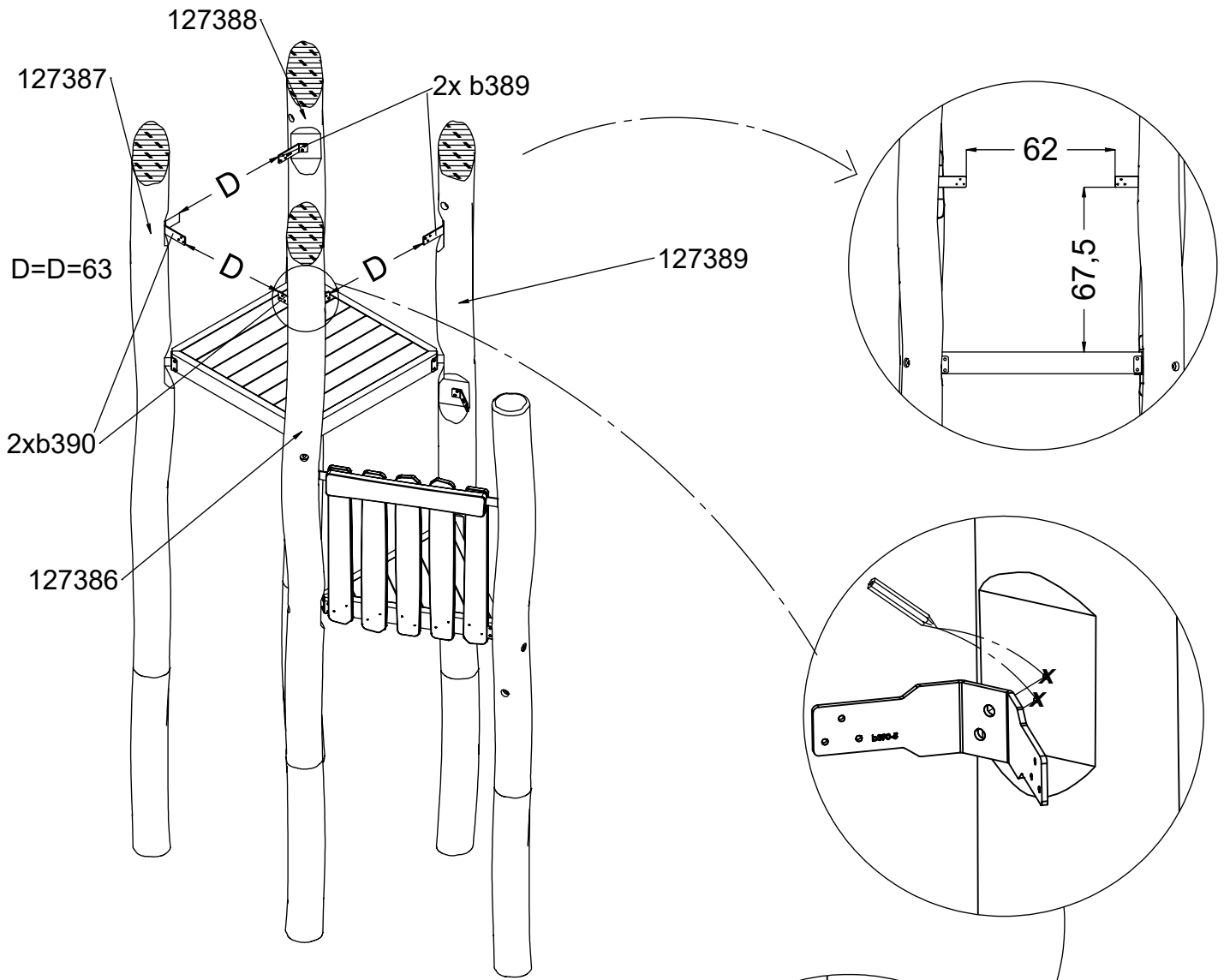




2x 8x50sxi

[cm]

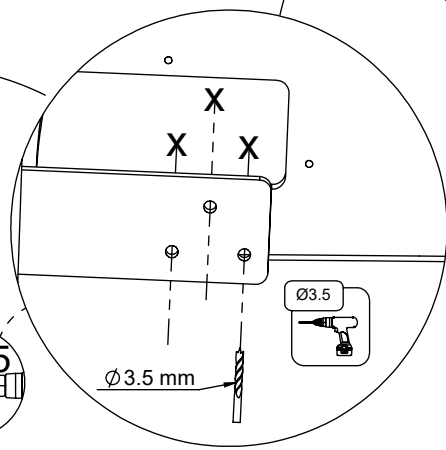
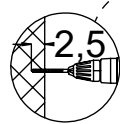
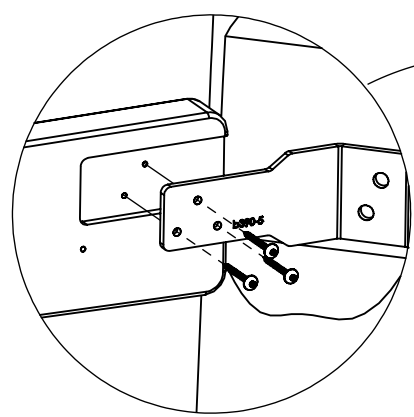
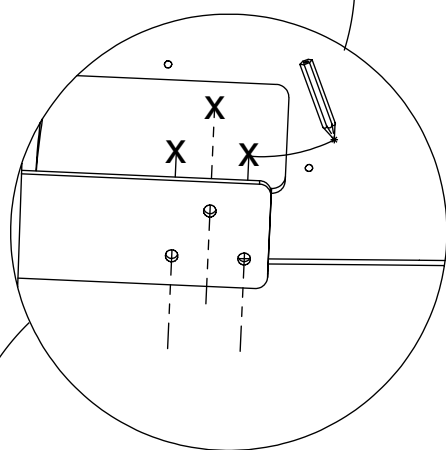
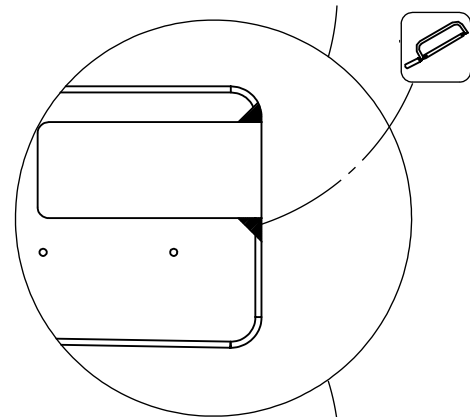
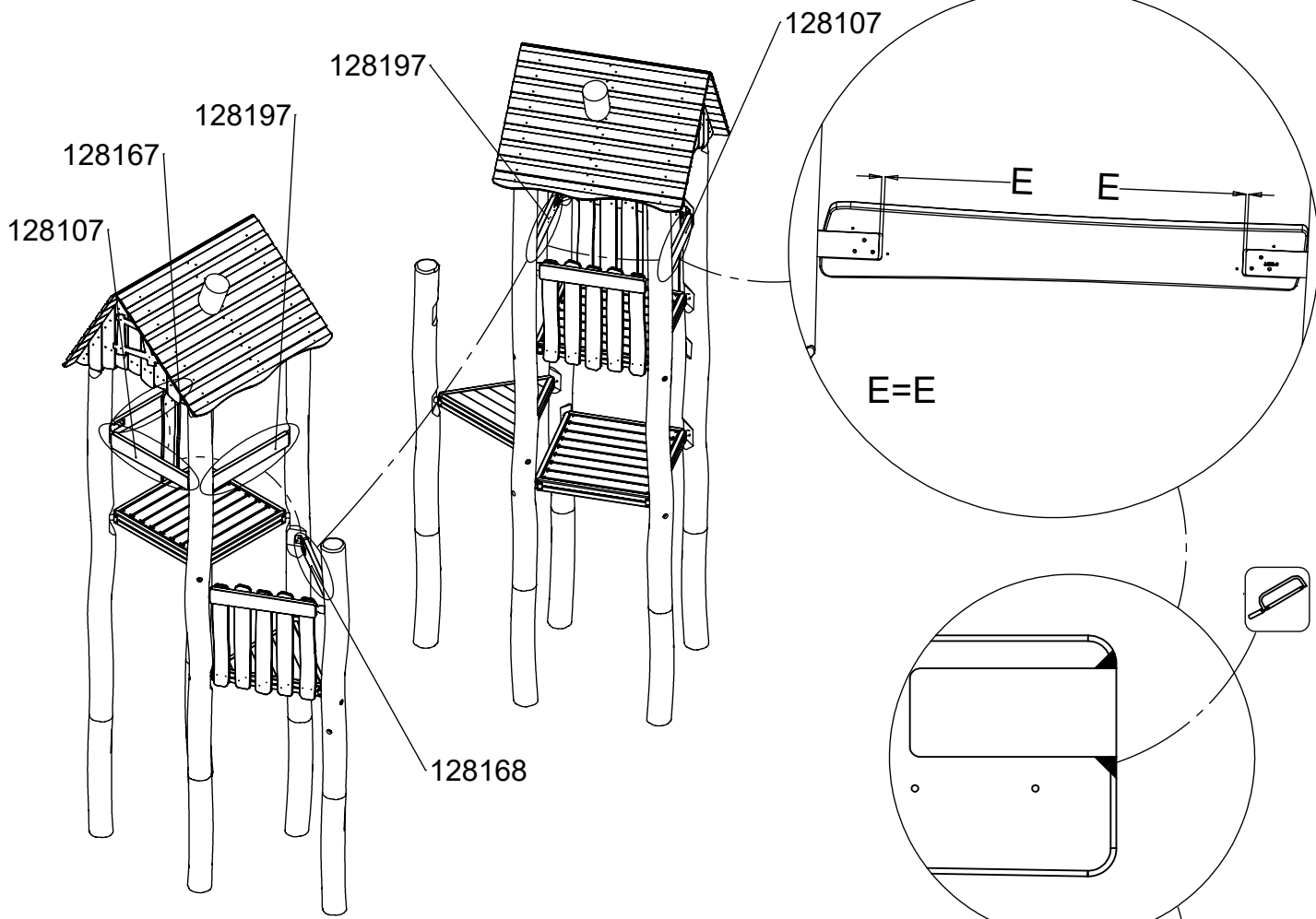
vinci
play



[cm]

8x 8x50sxi

vinci
play



36x5x30sxs

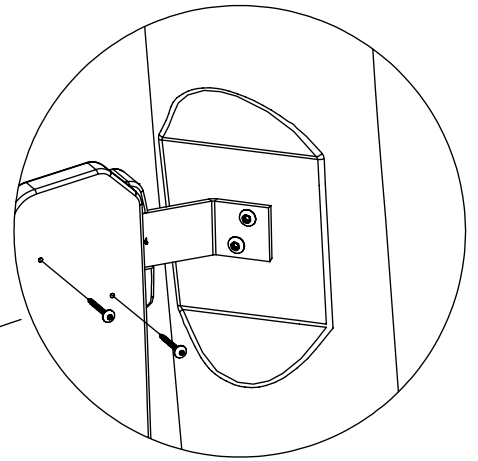
[cm]

vinci
play

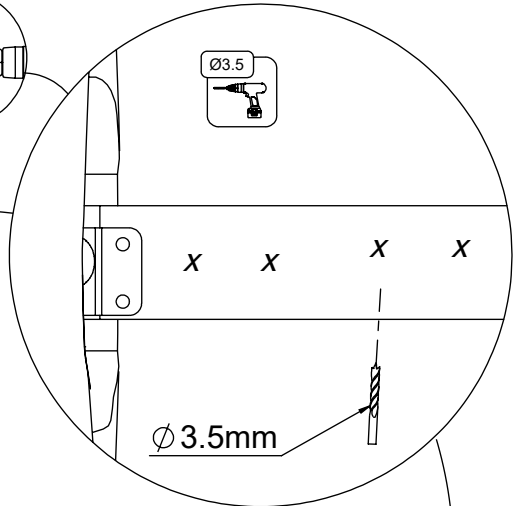
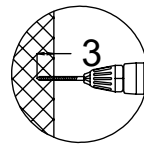
127388

128181

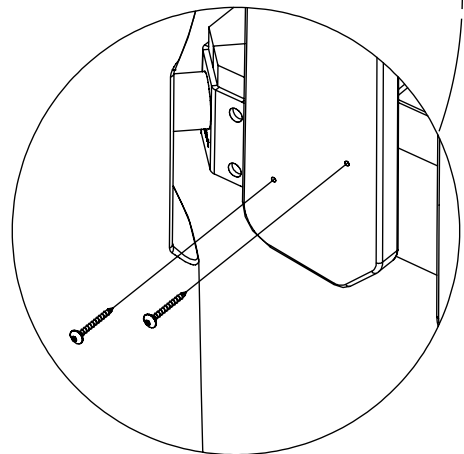
128181

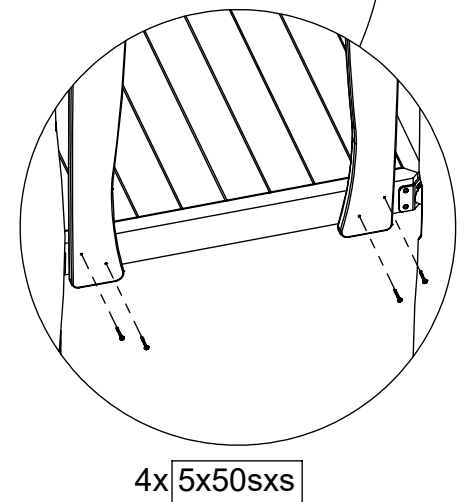
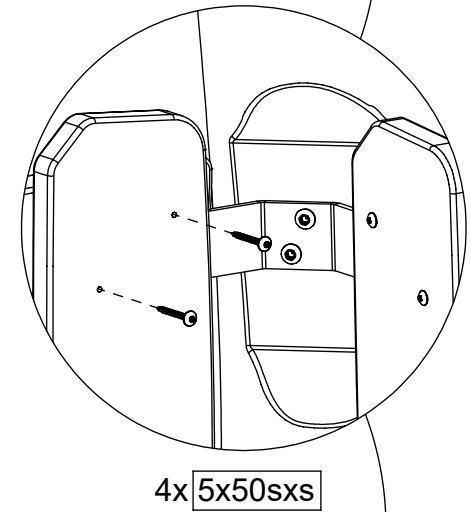
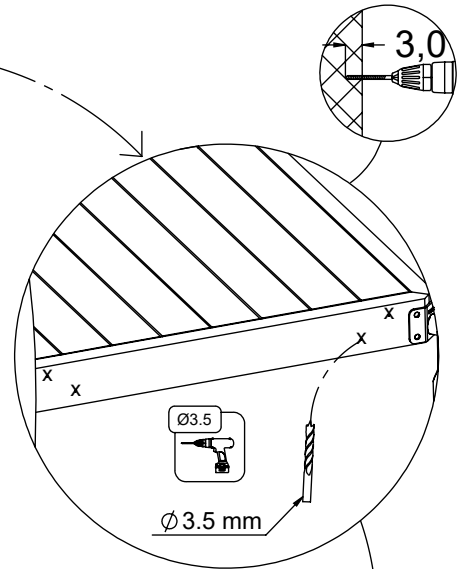
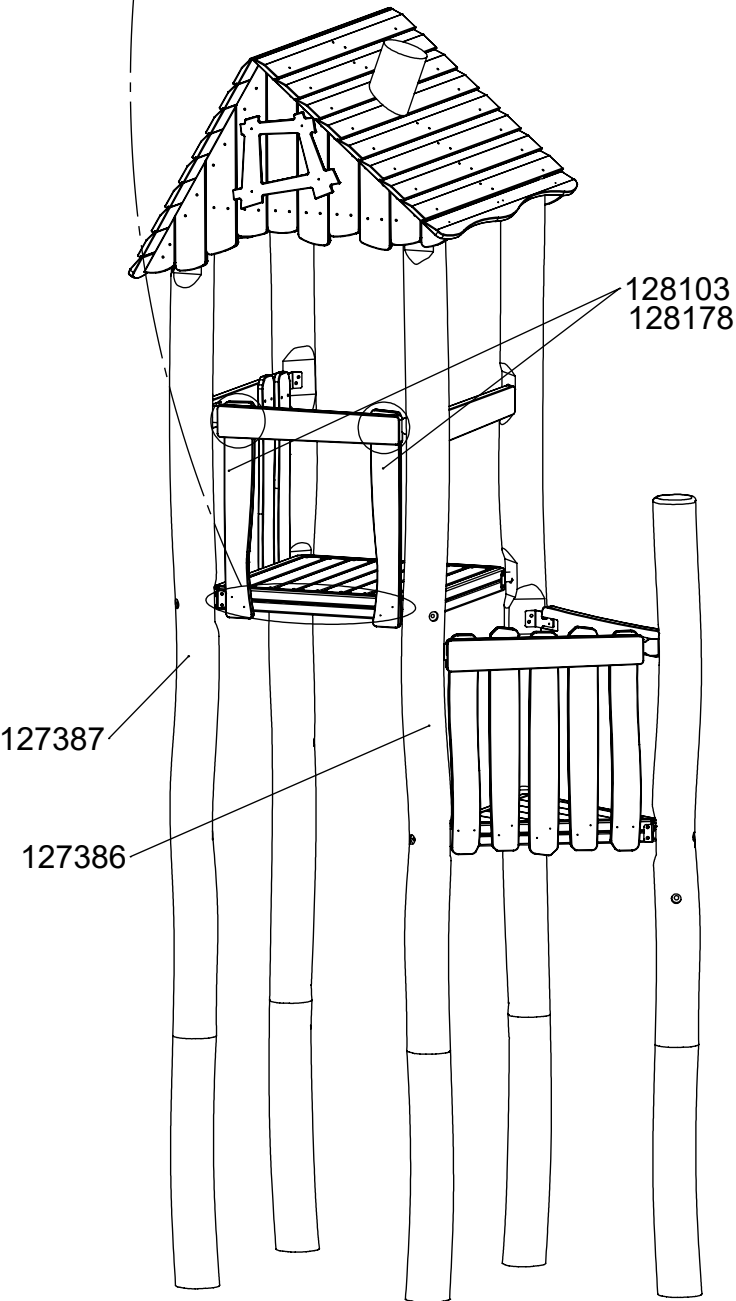
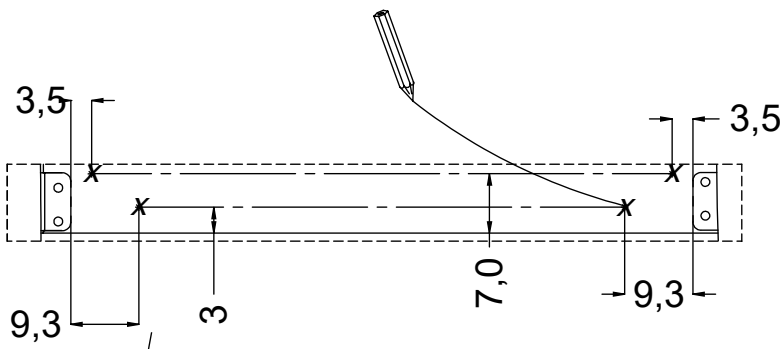


4x 5x50sxs



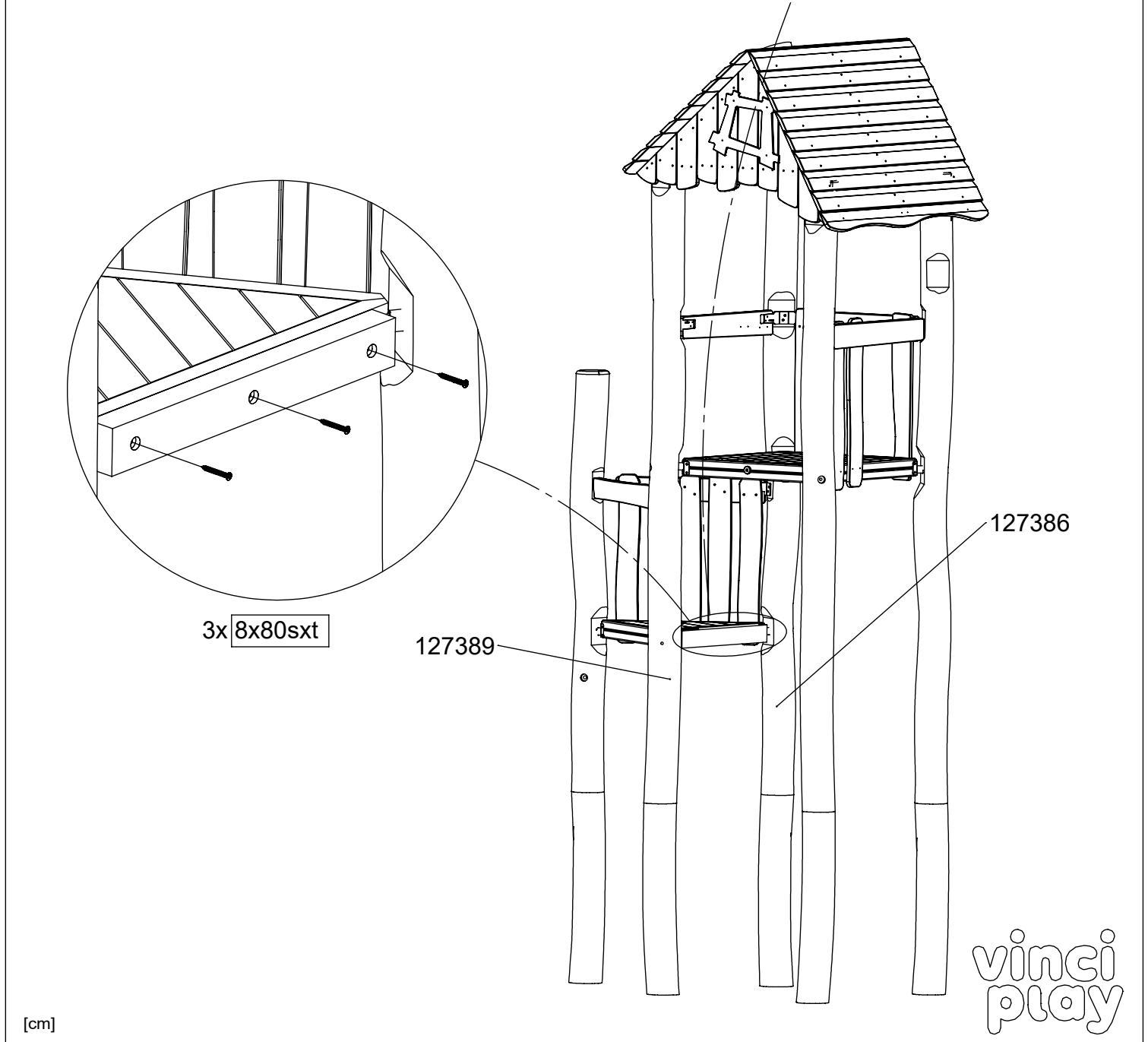
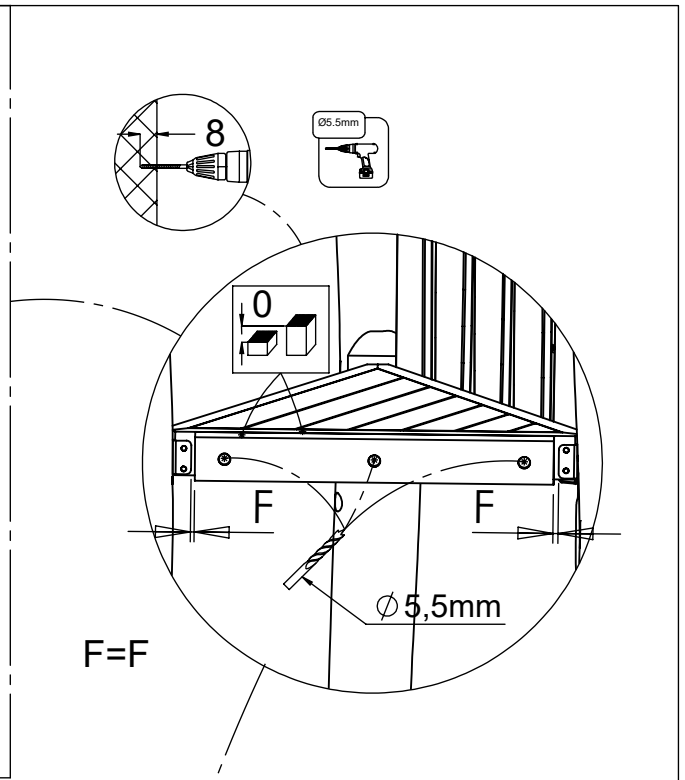
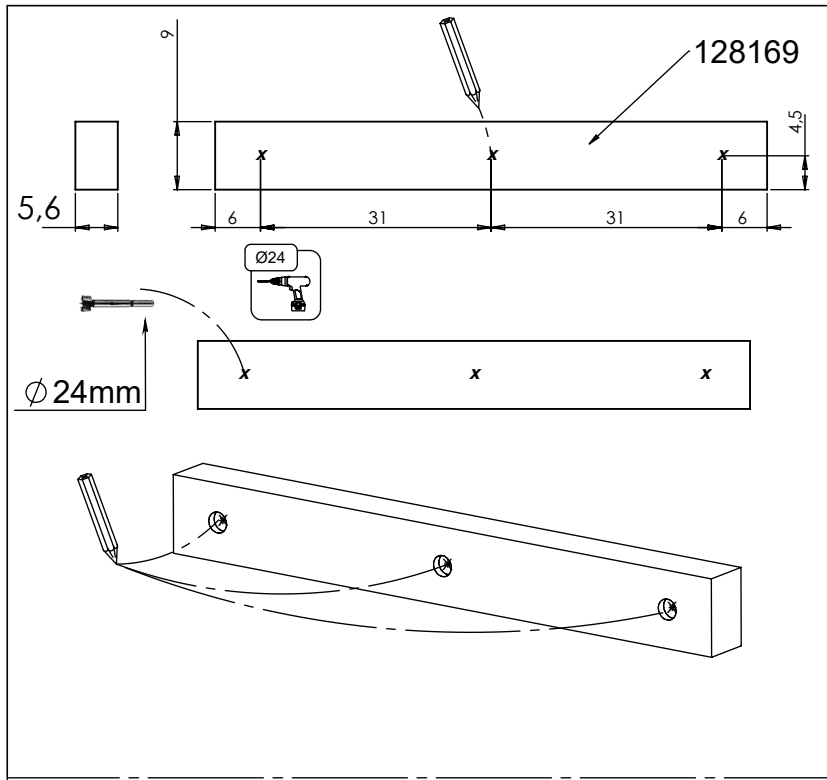
4x 5x50sxs





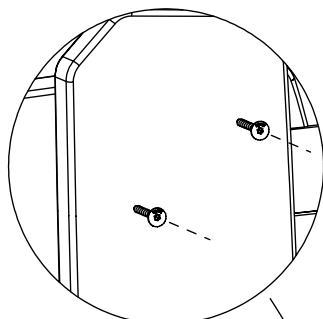
[cm]

vinci
play

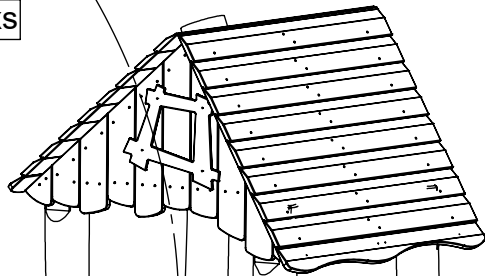


[cm]

vinci
play

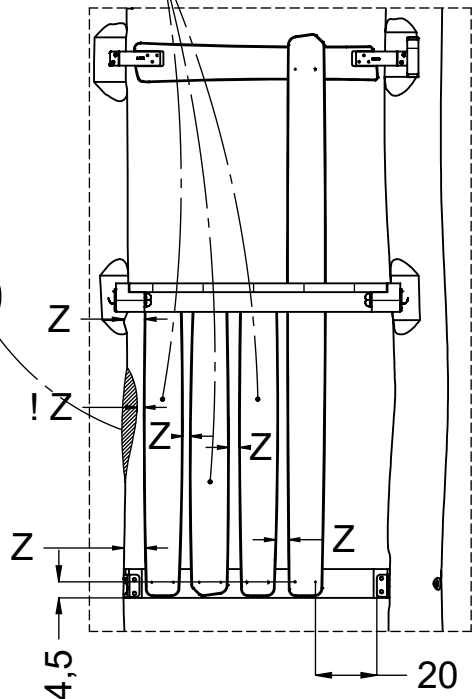
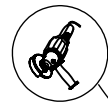


2x 5x50sxs

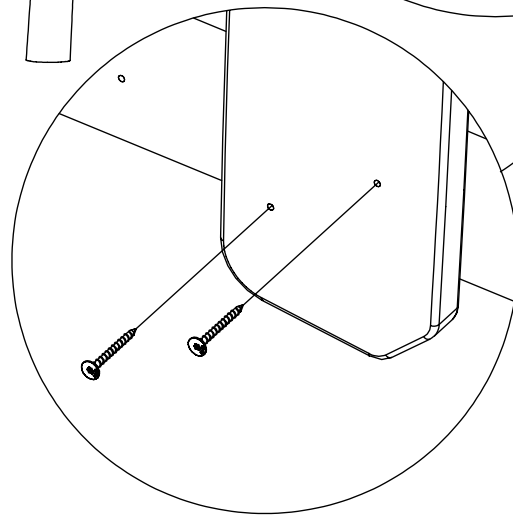
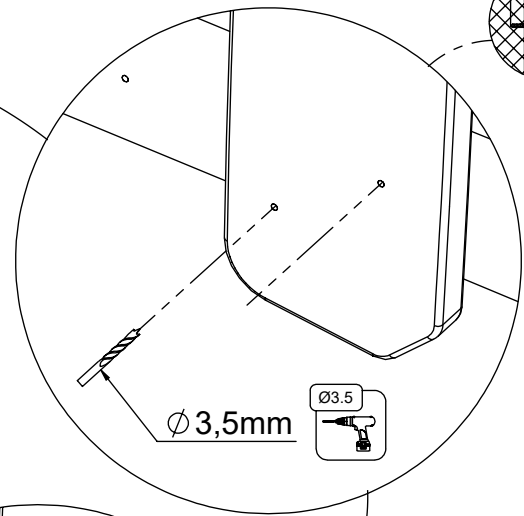
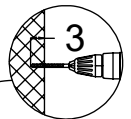


128199

128198



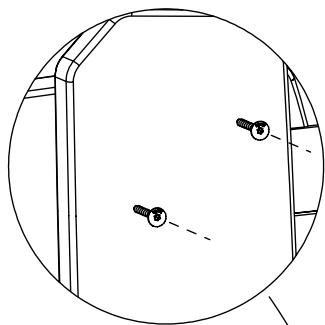
! 30mm < Z < 85mm



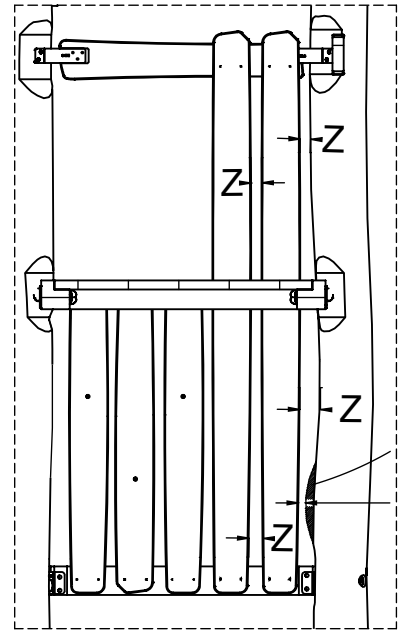
14x 5x50sxs

[cm]

vinci play



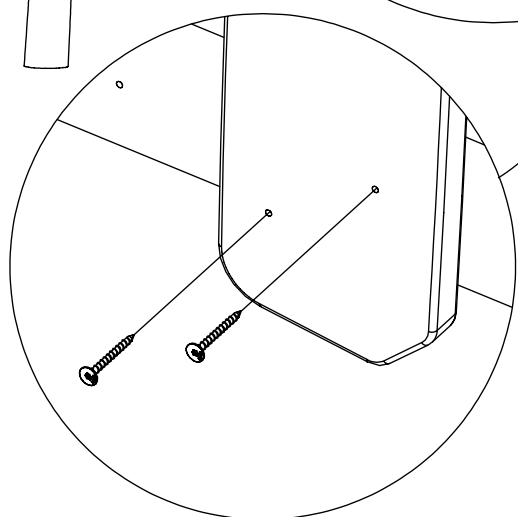
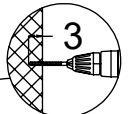
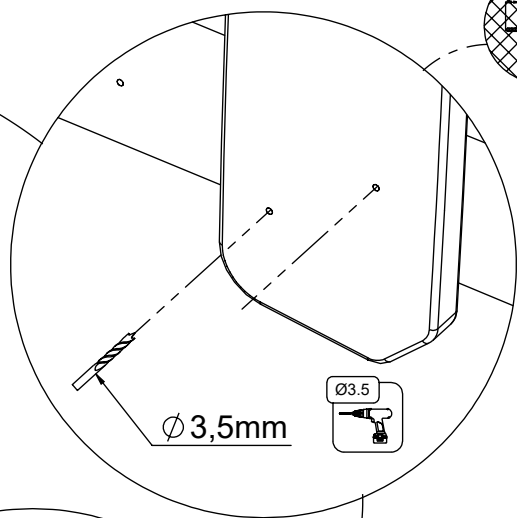
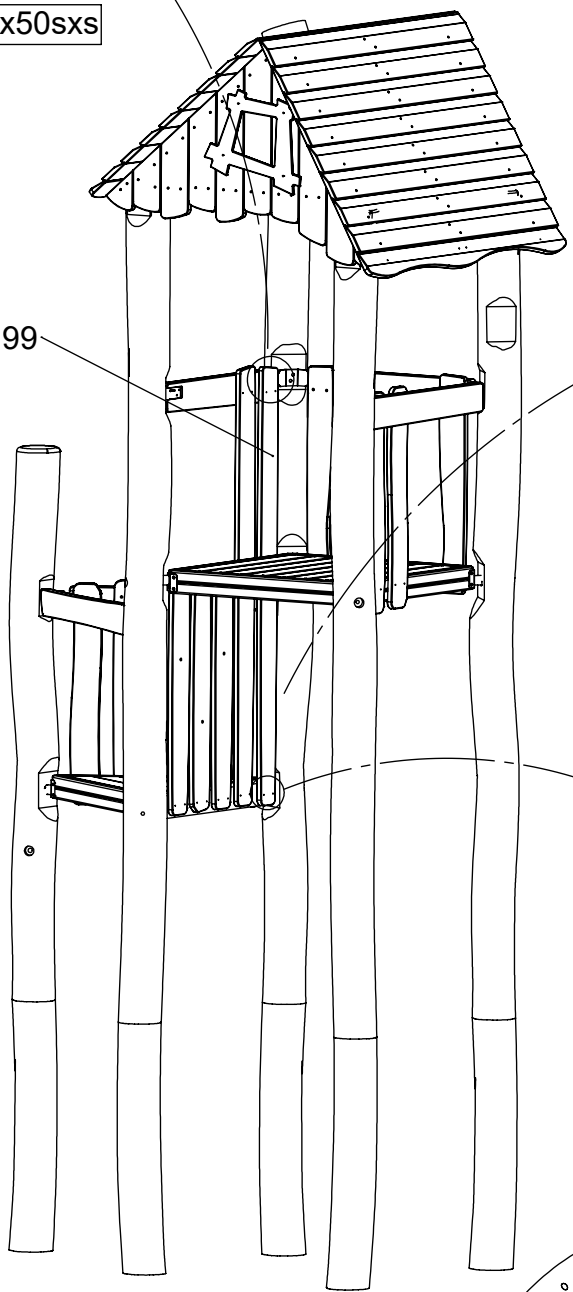
2x 5x50sxs



! 30mm < Z < 85mm



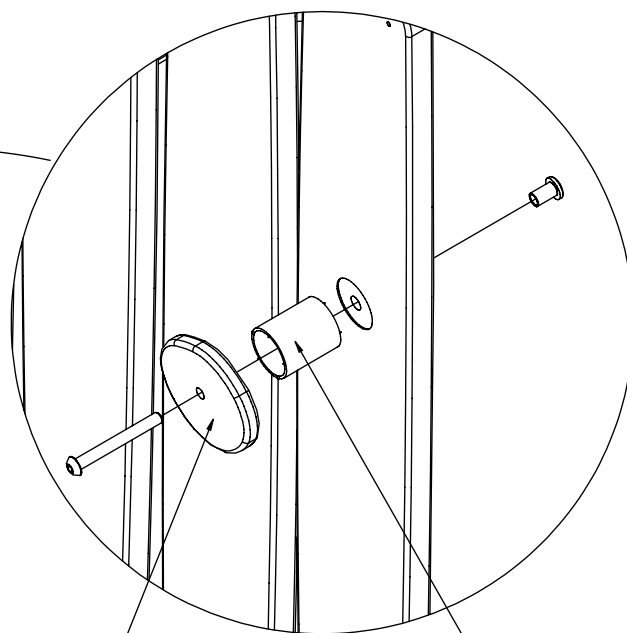
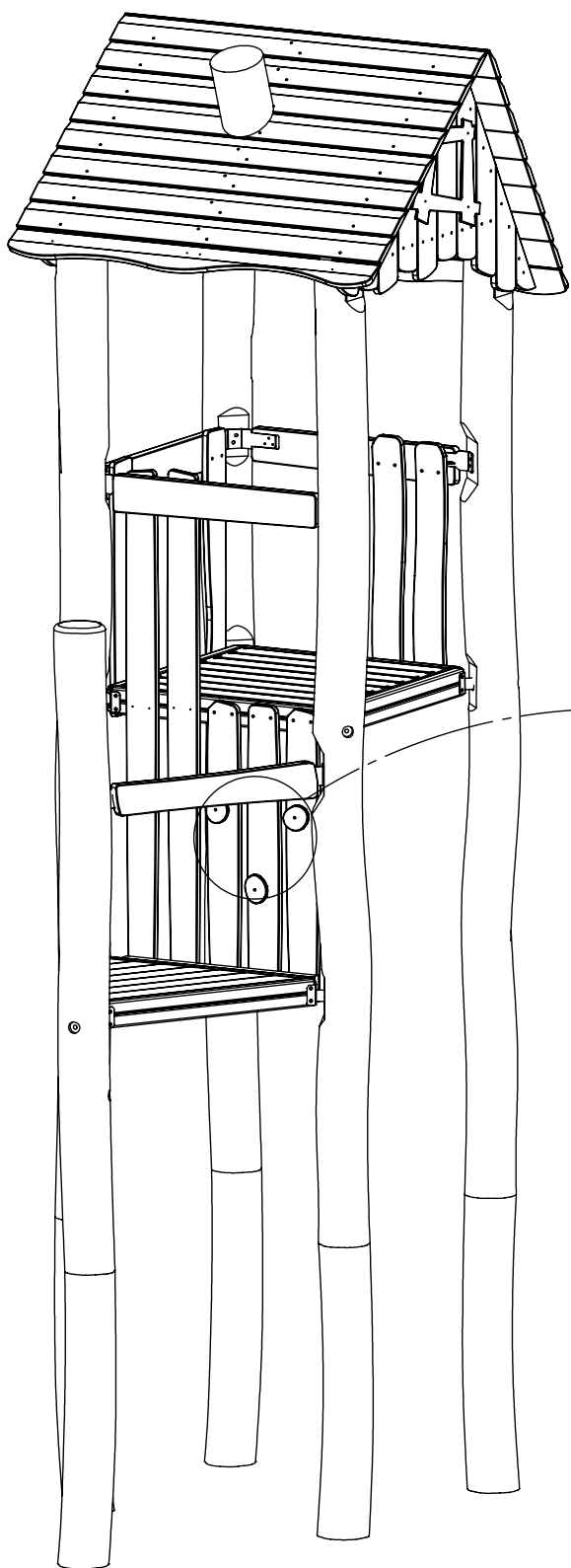
128199



2x 5x50sxs

[cm]

vinci play



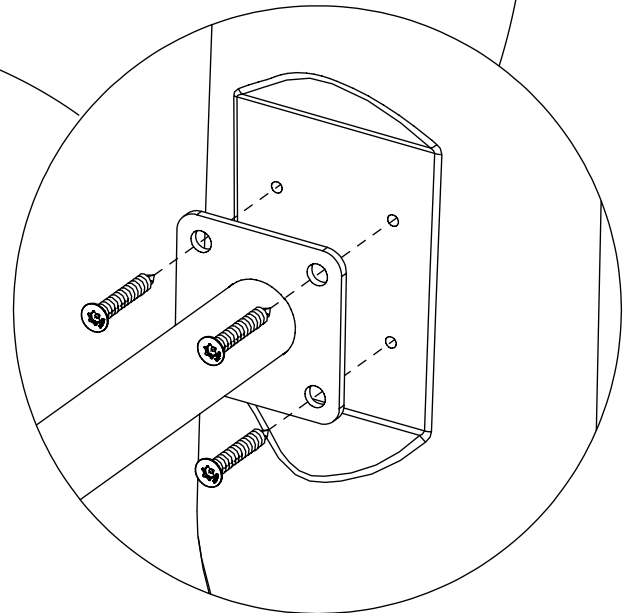
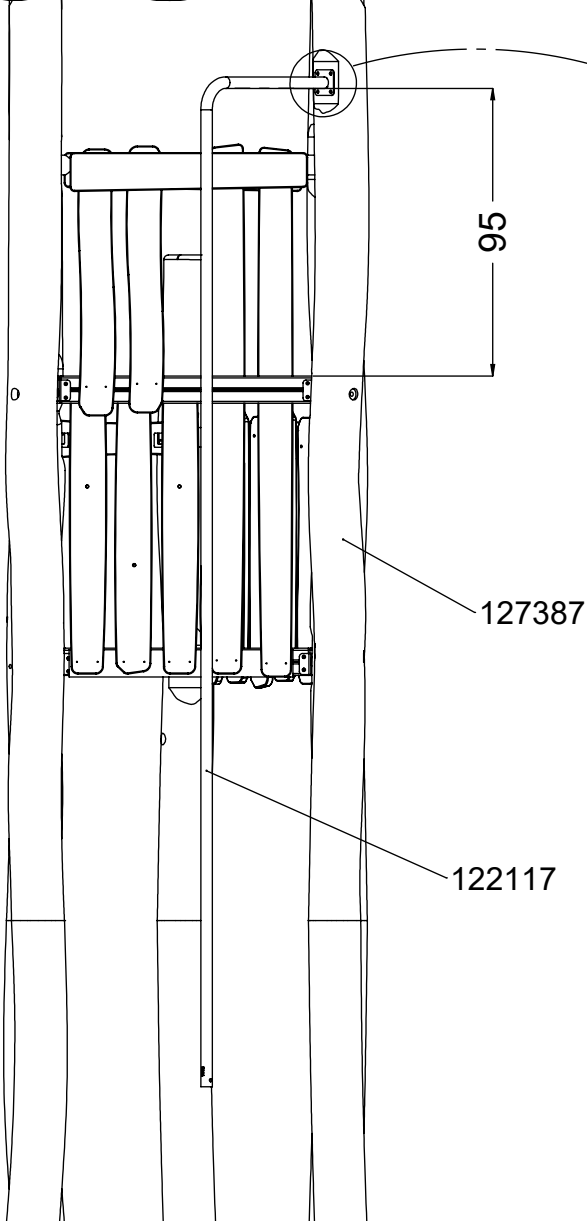
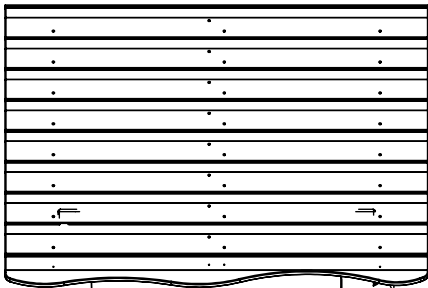
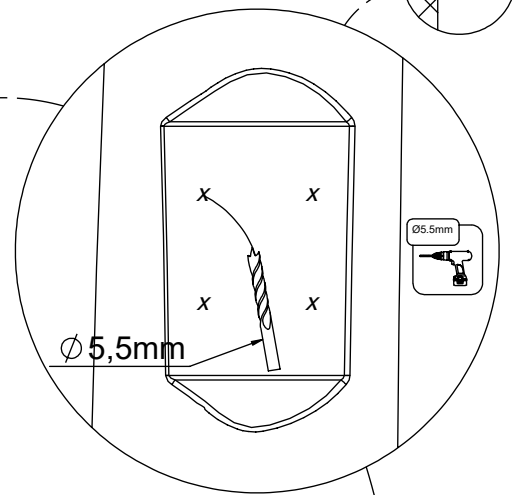
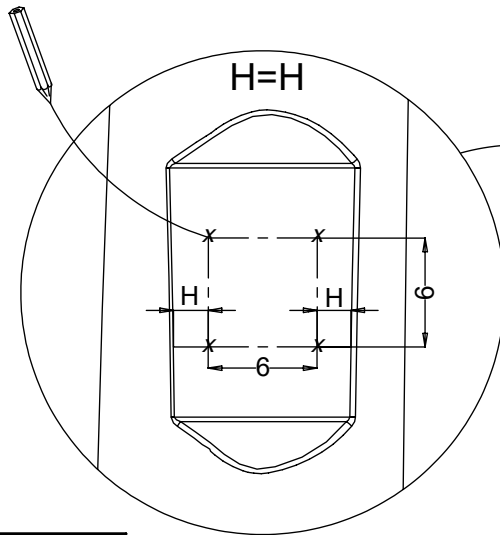
3x 121110

1x 12e065

3x 123103

[cm]

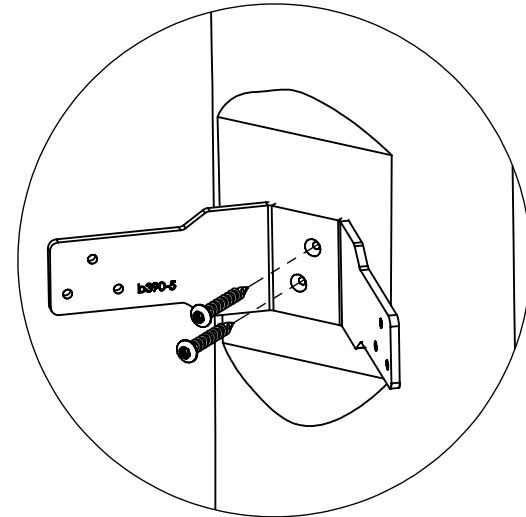
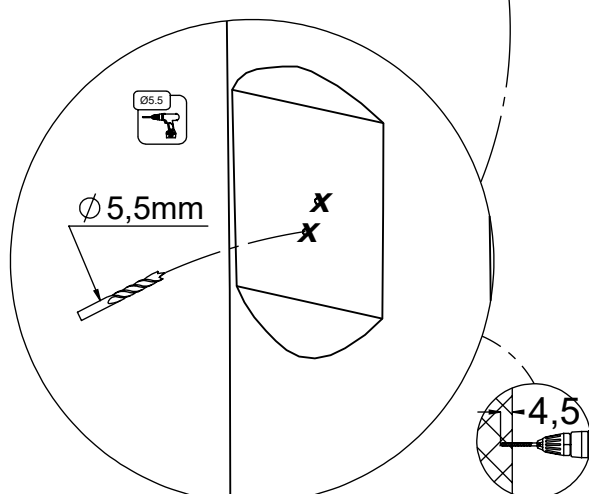
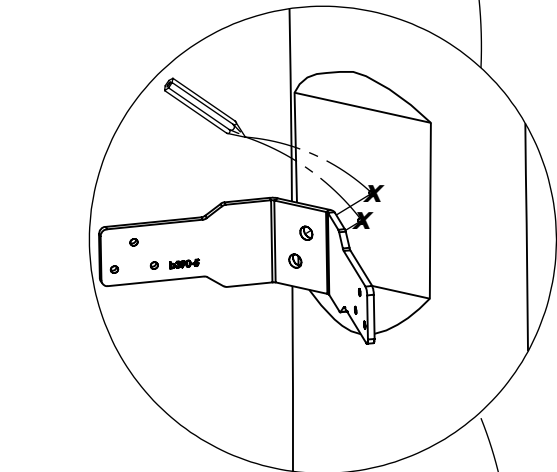
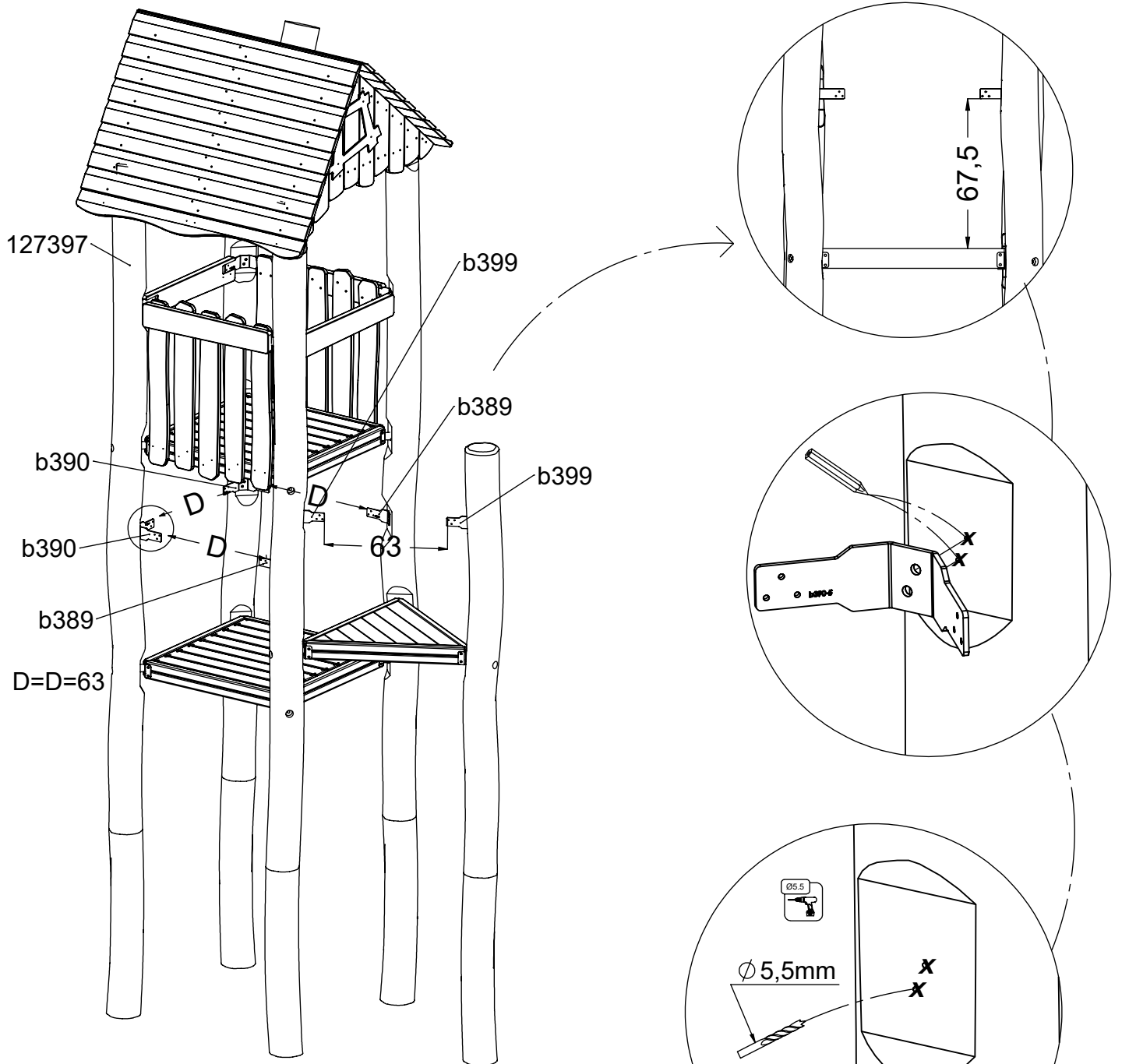
vinci
play



4x 8x50sxi

[cm]

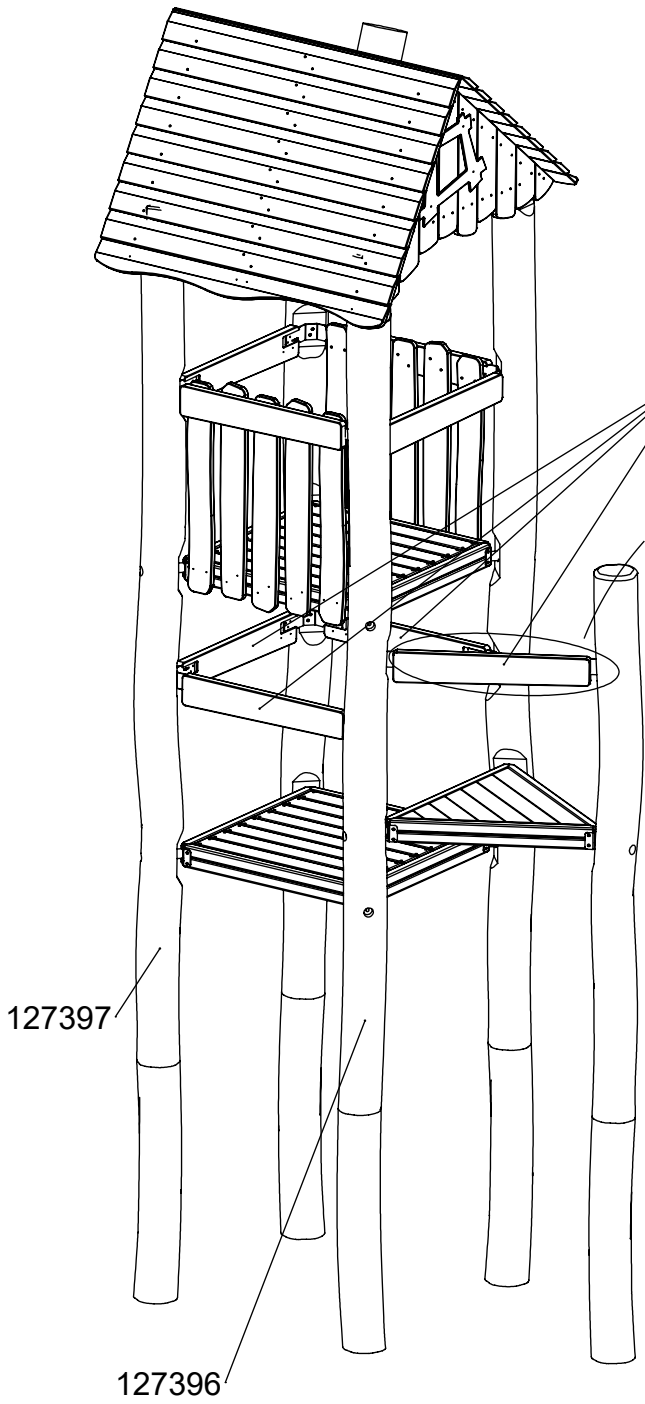
vinci
play



12x 8x50sxi

[cm]

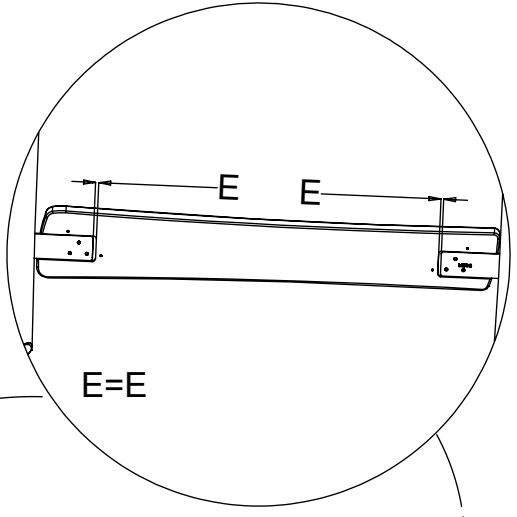
vinci
play



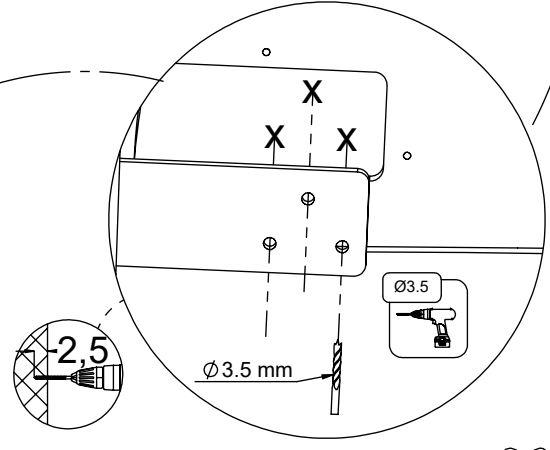
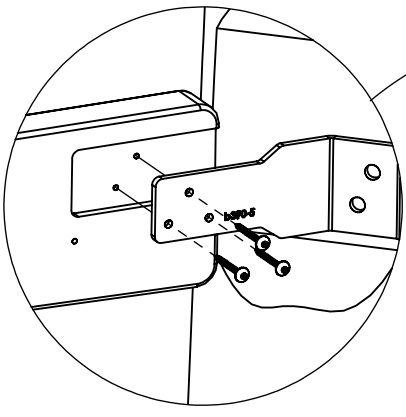
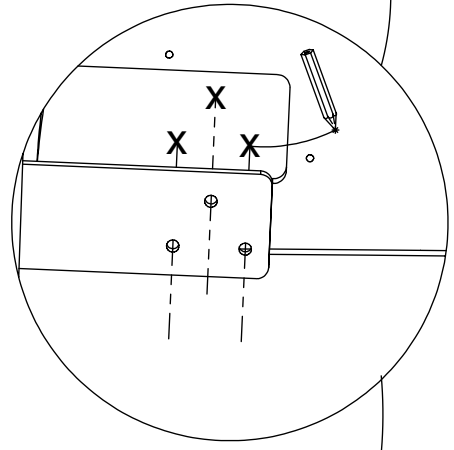
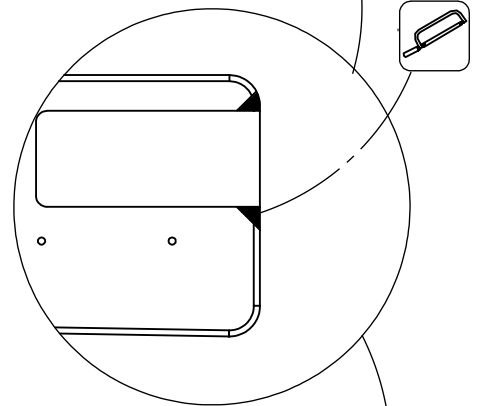
127397

127396

4x 128107



E=E



2,5

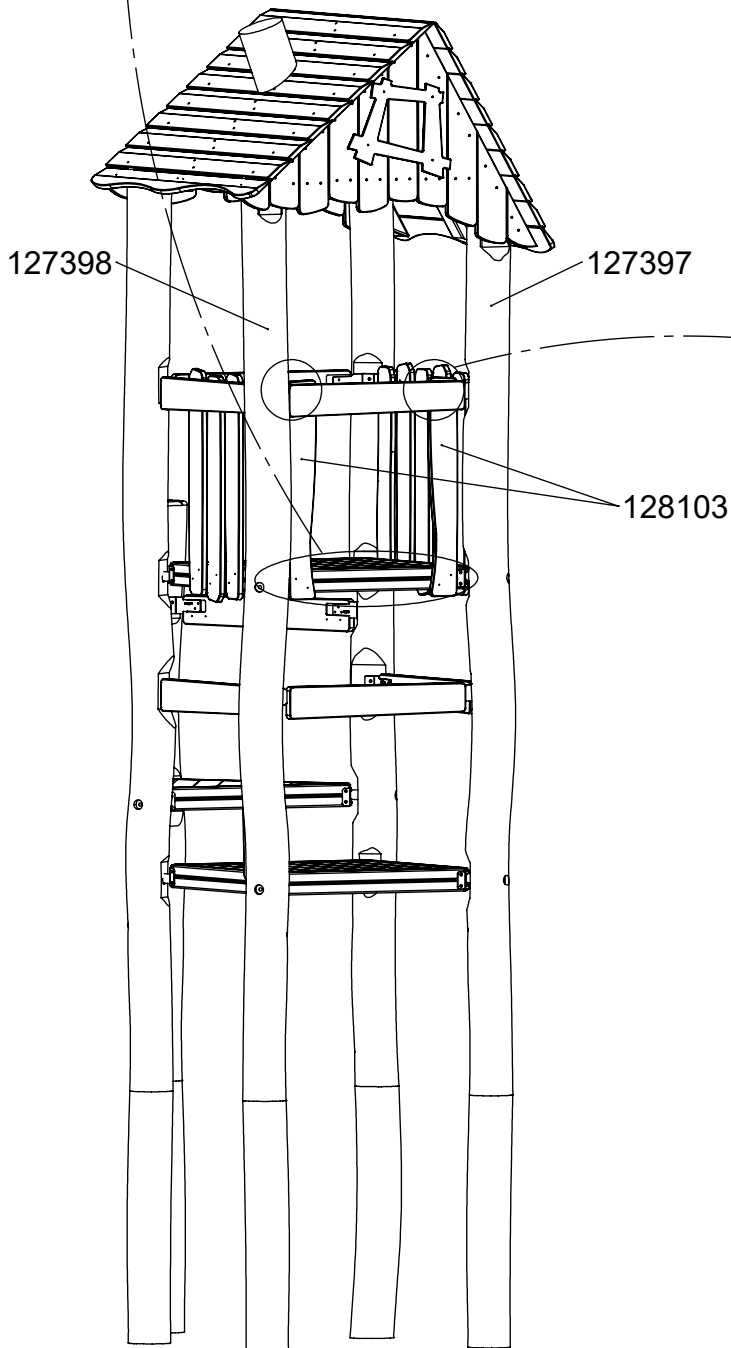
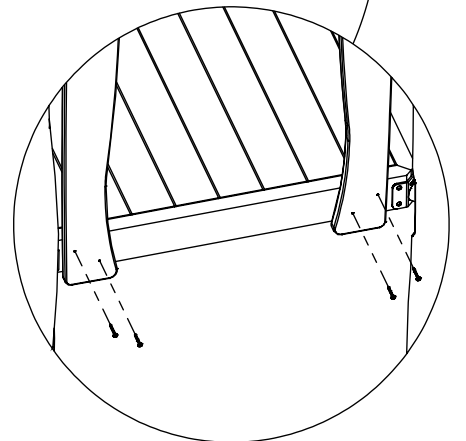
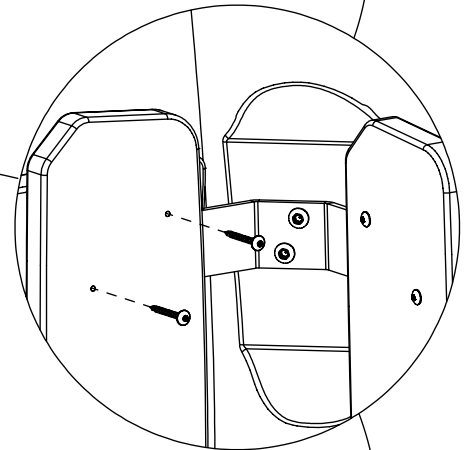
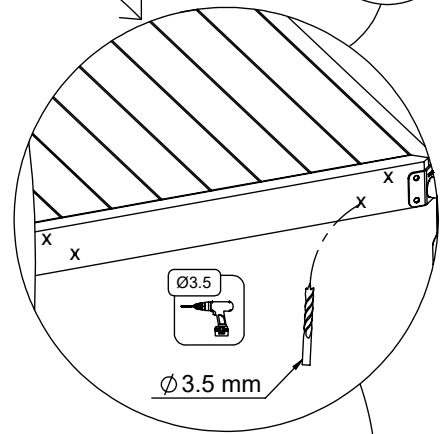
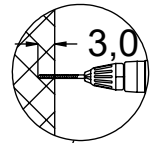
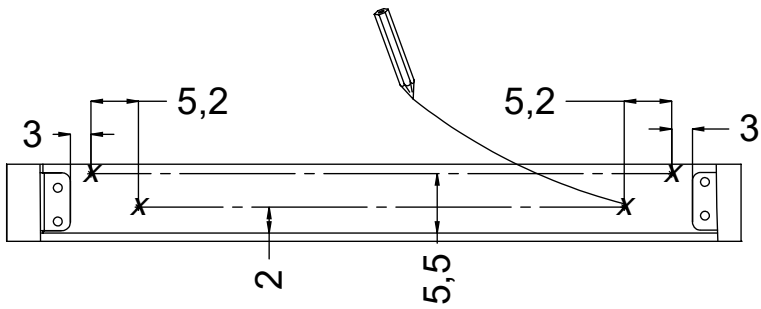
Ø3.5 mm



24x 5x30sxs

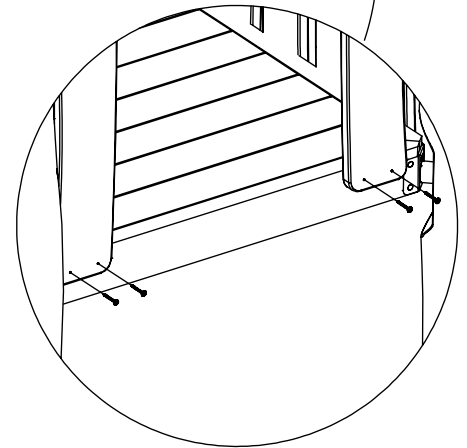
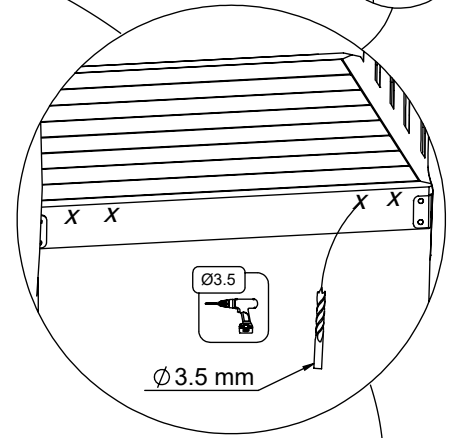
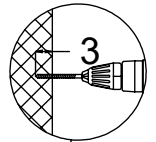
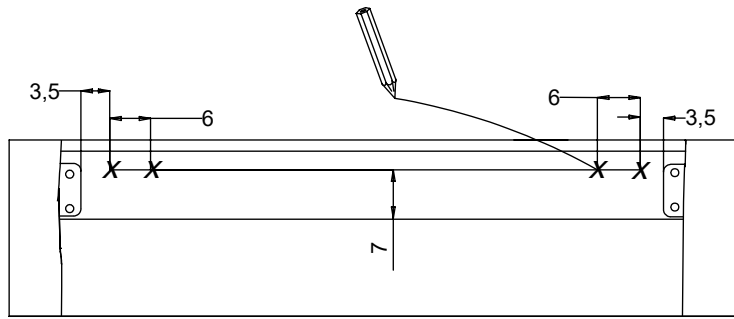
[cm]

vinci play

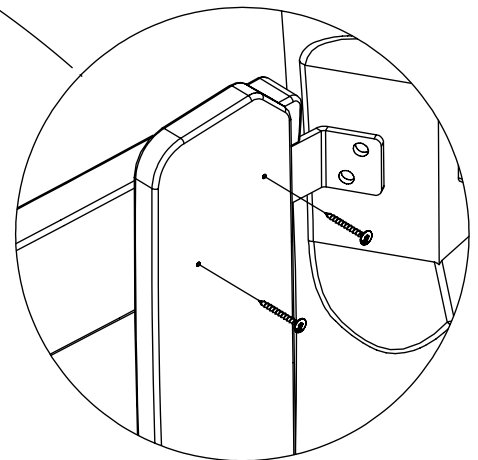
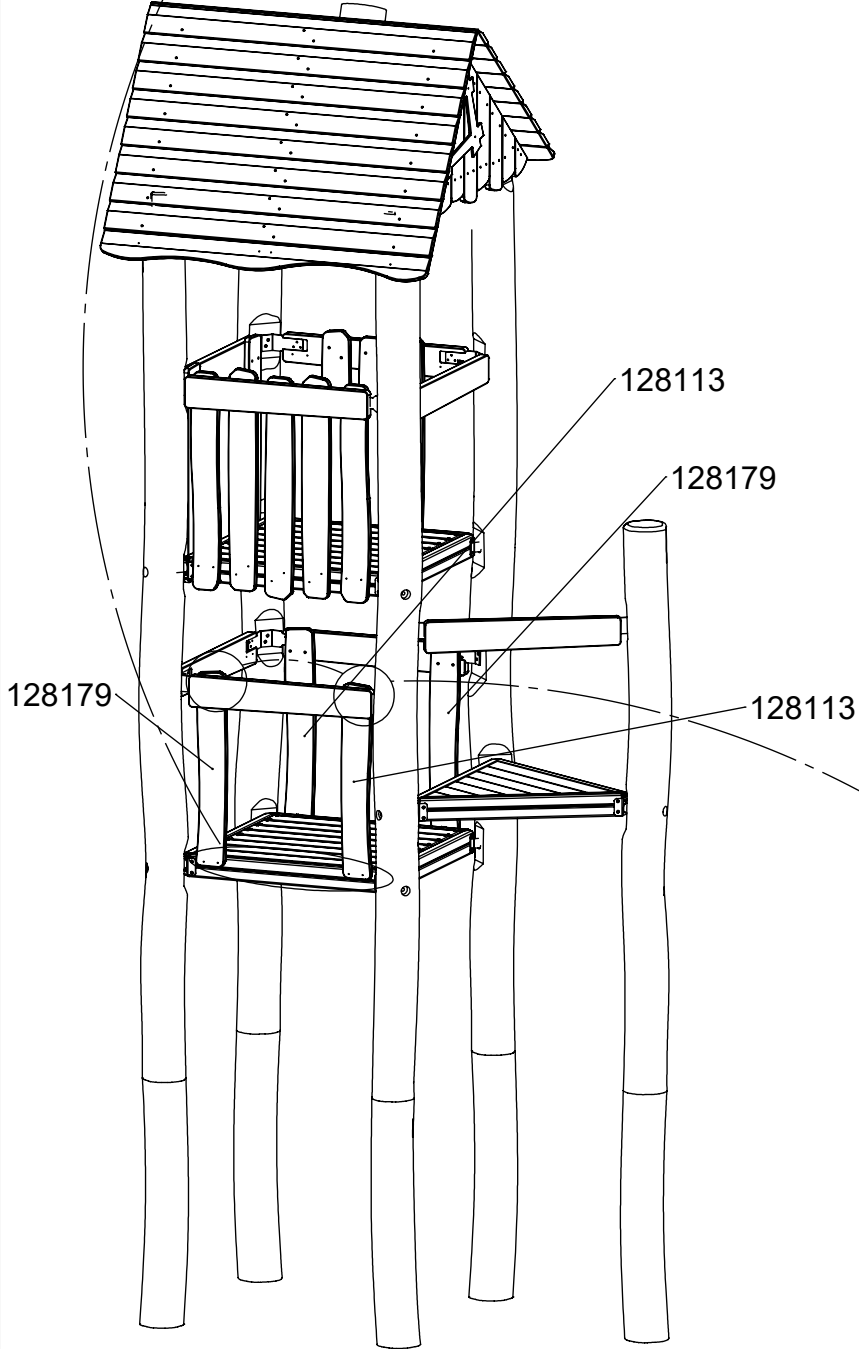


[cm]

vinci
play



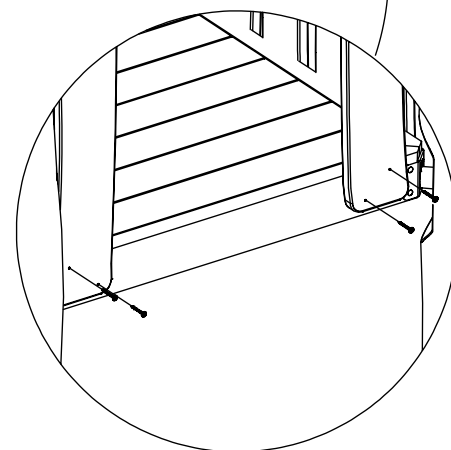
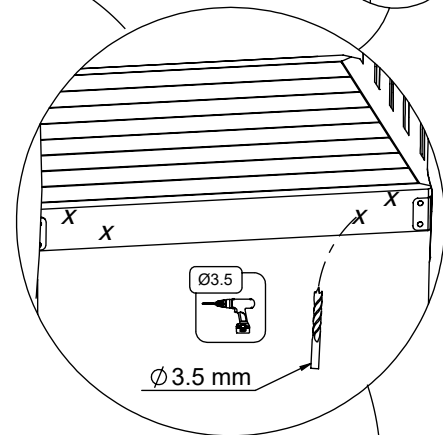
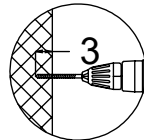
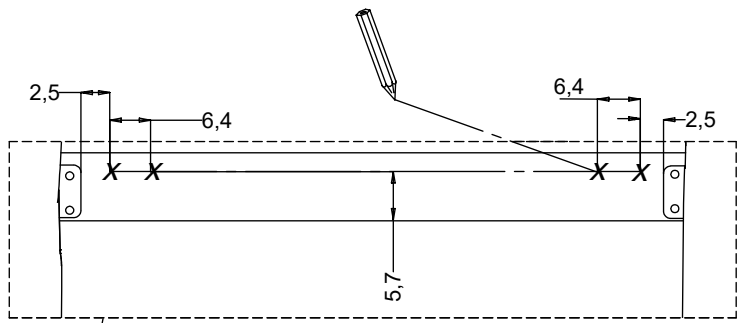
8x 5x50sxs



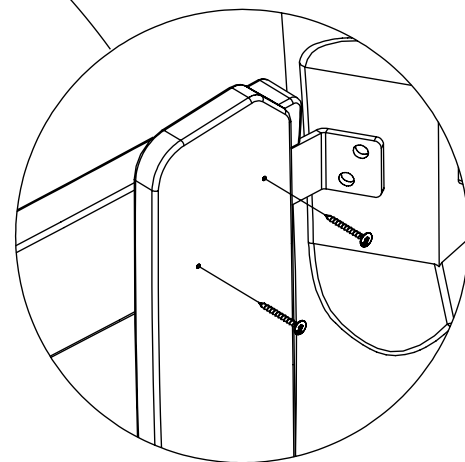
8x 5x50sxs

[cm]

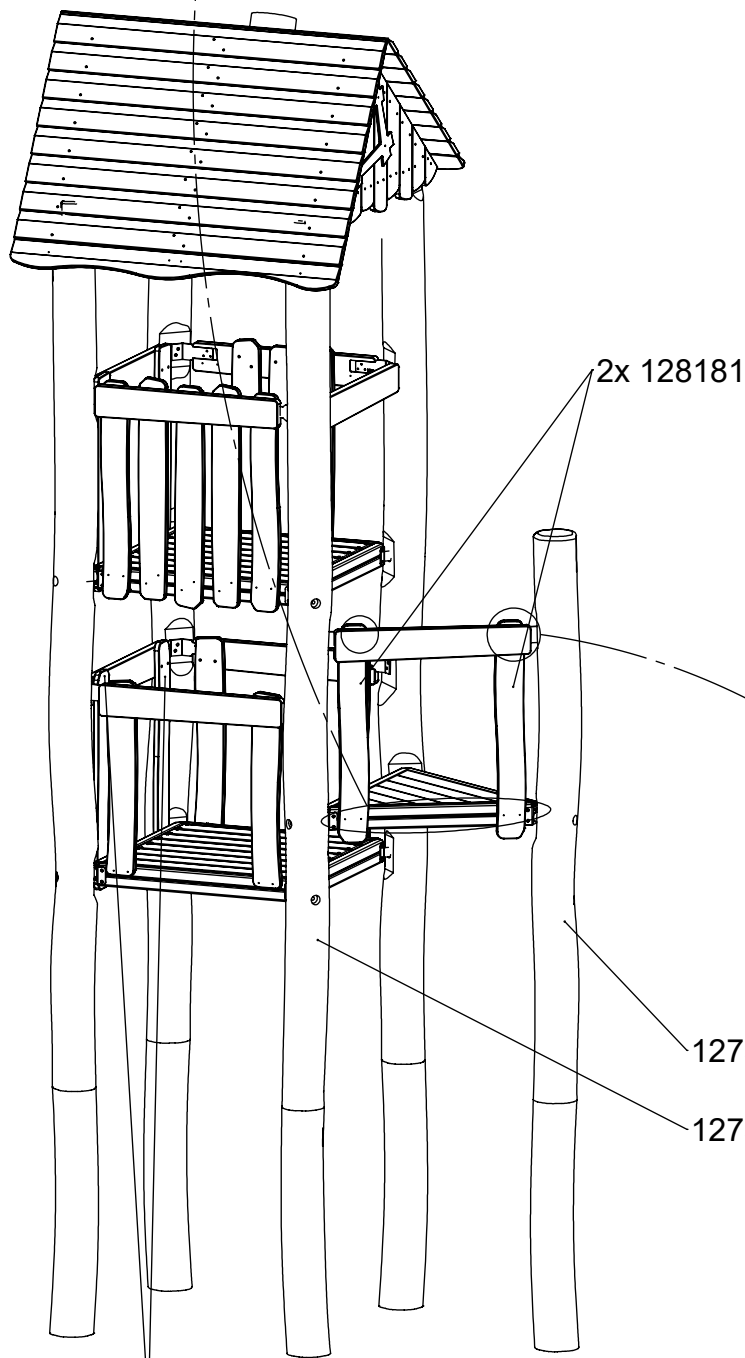
vinci
play



4x 5x50sxs



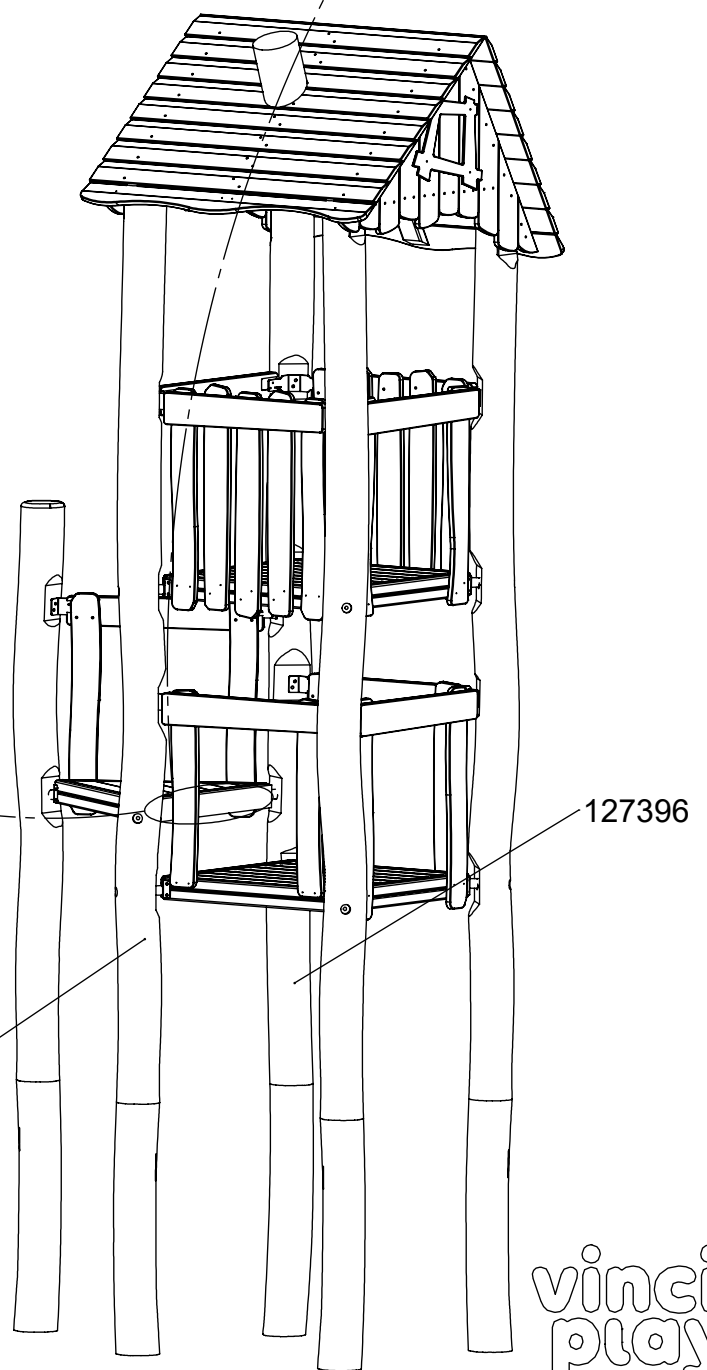
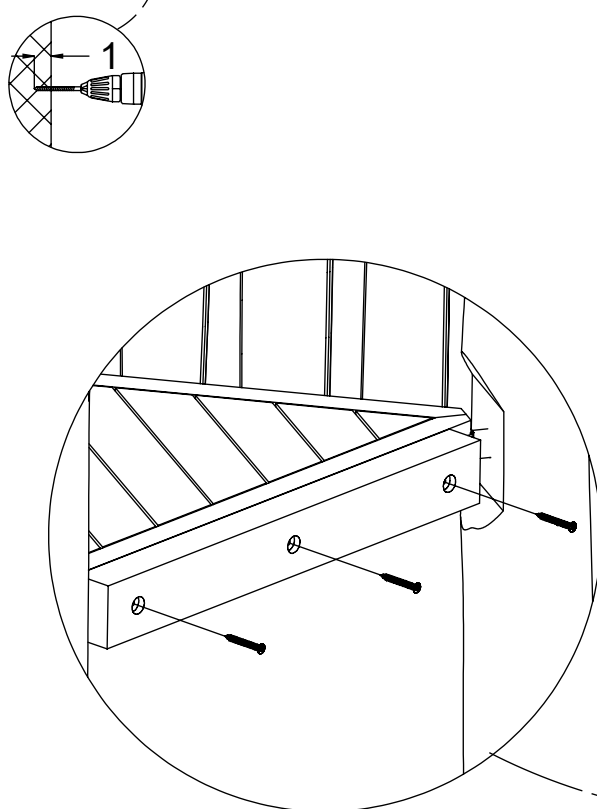
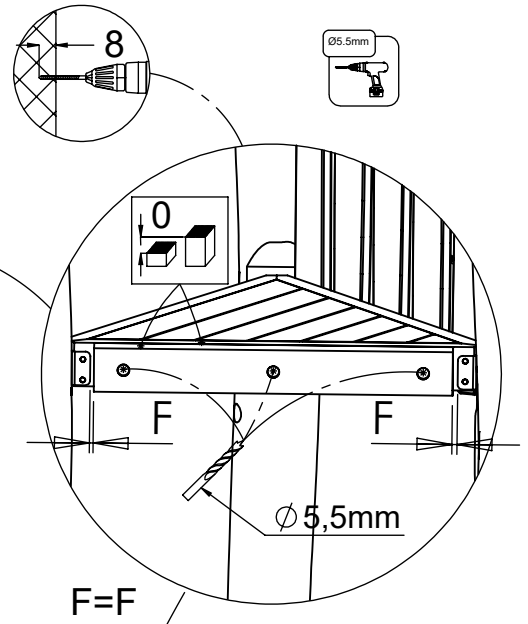
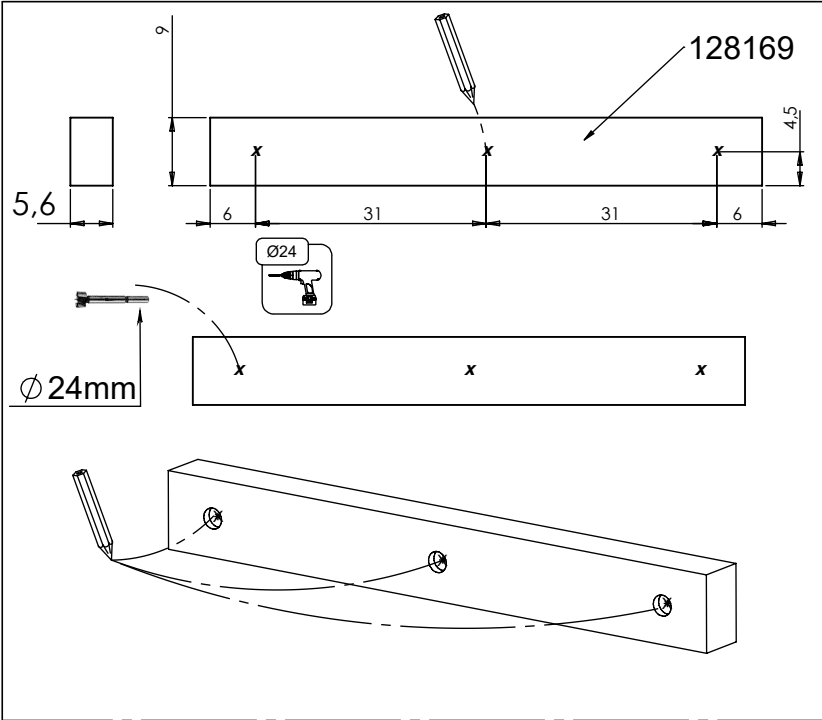
8x 5x50sxs



2x 128181

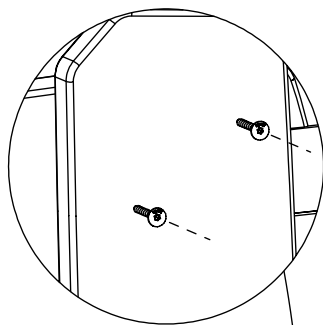
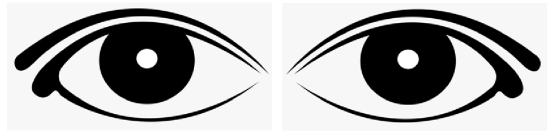
[cm]

vinci
play

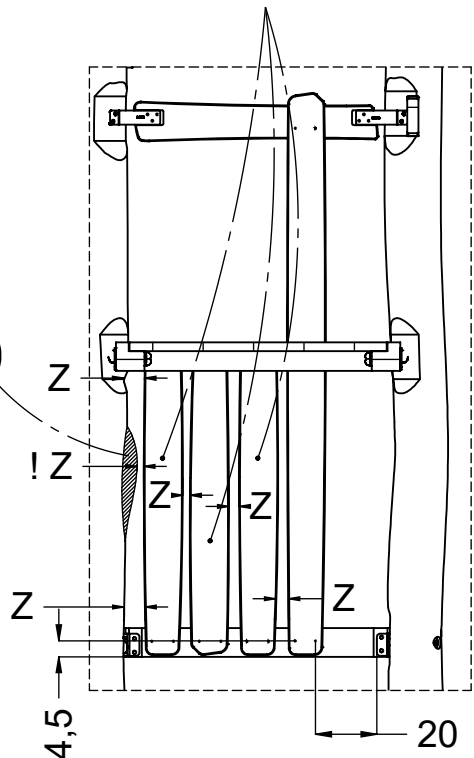
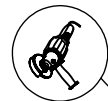
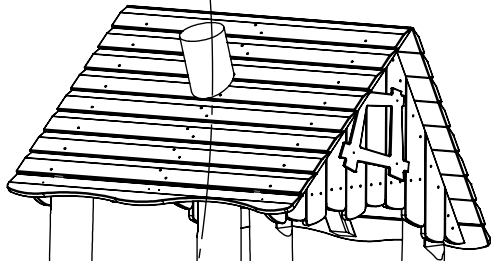


[cm]

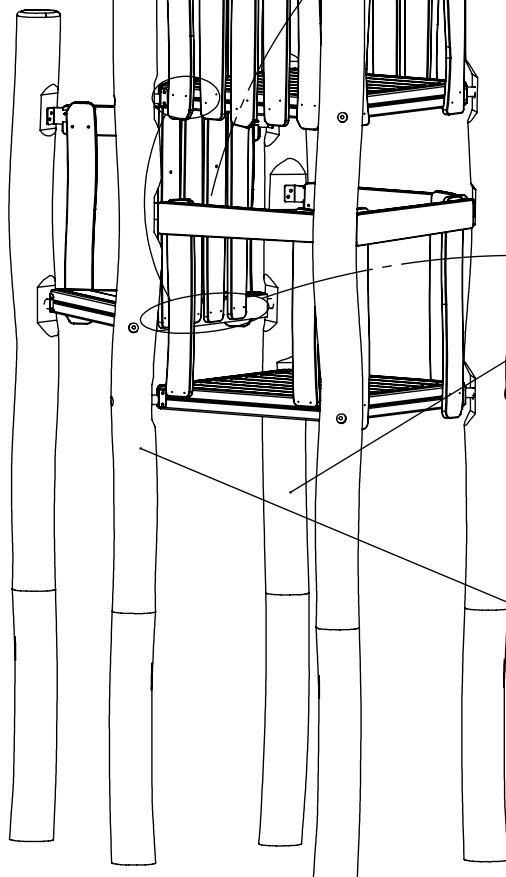
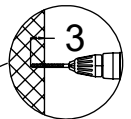
vinci
play



2x 5x50sxs

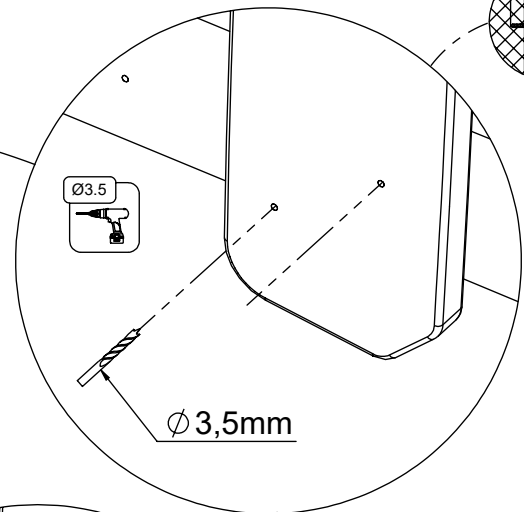


! 30mm < Z < 85mm

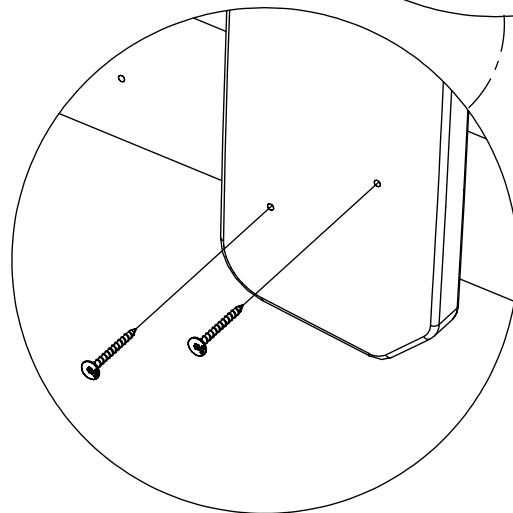


127396

127390



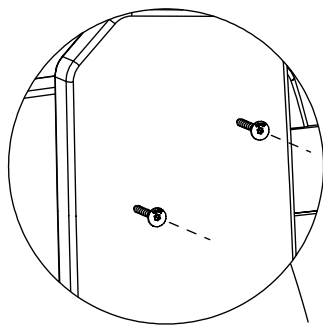
Ø 3,5mm



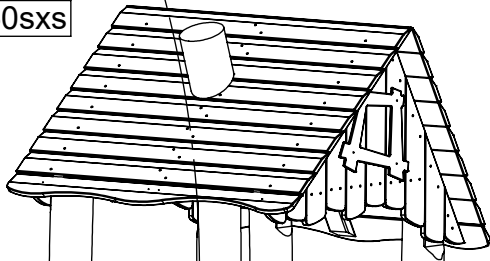
14x 5x50sxs

[cm]

vinci
play



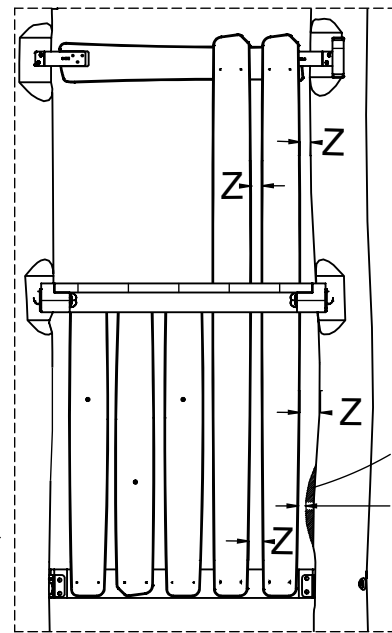
2x 5x50sxs



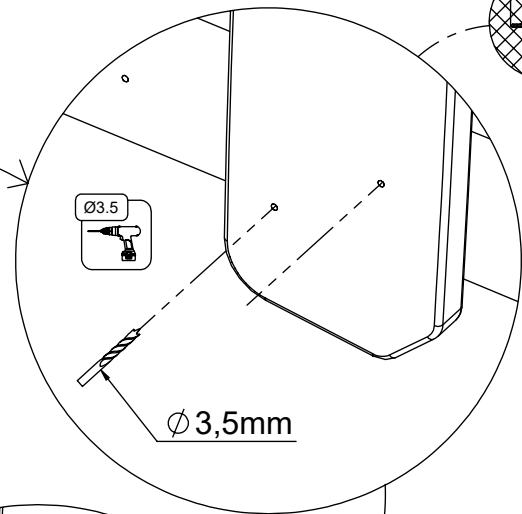
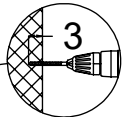
127390



127396

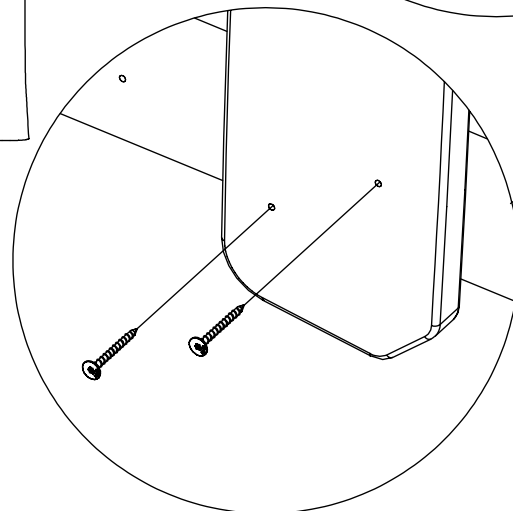


! 30mm < Z < 85mm



Ø 3,5

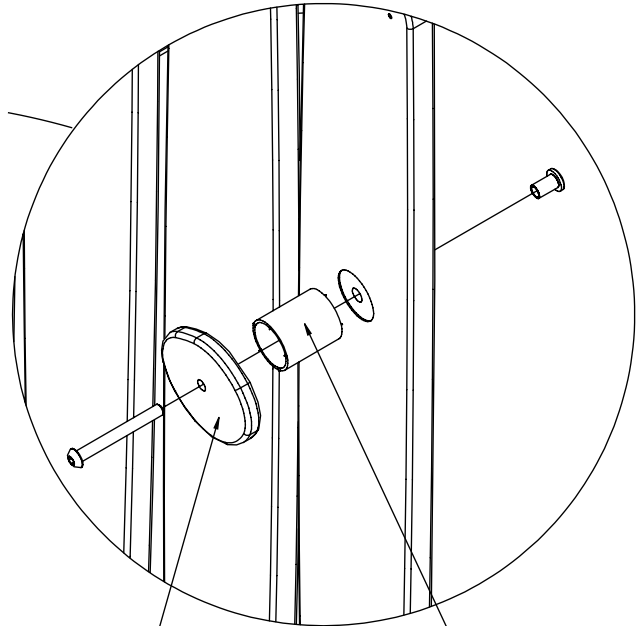
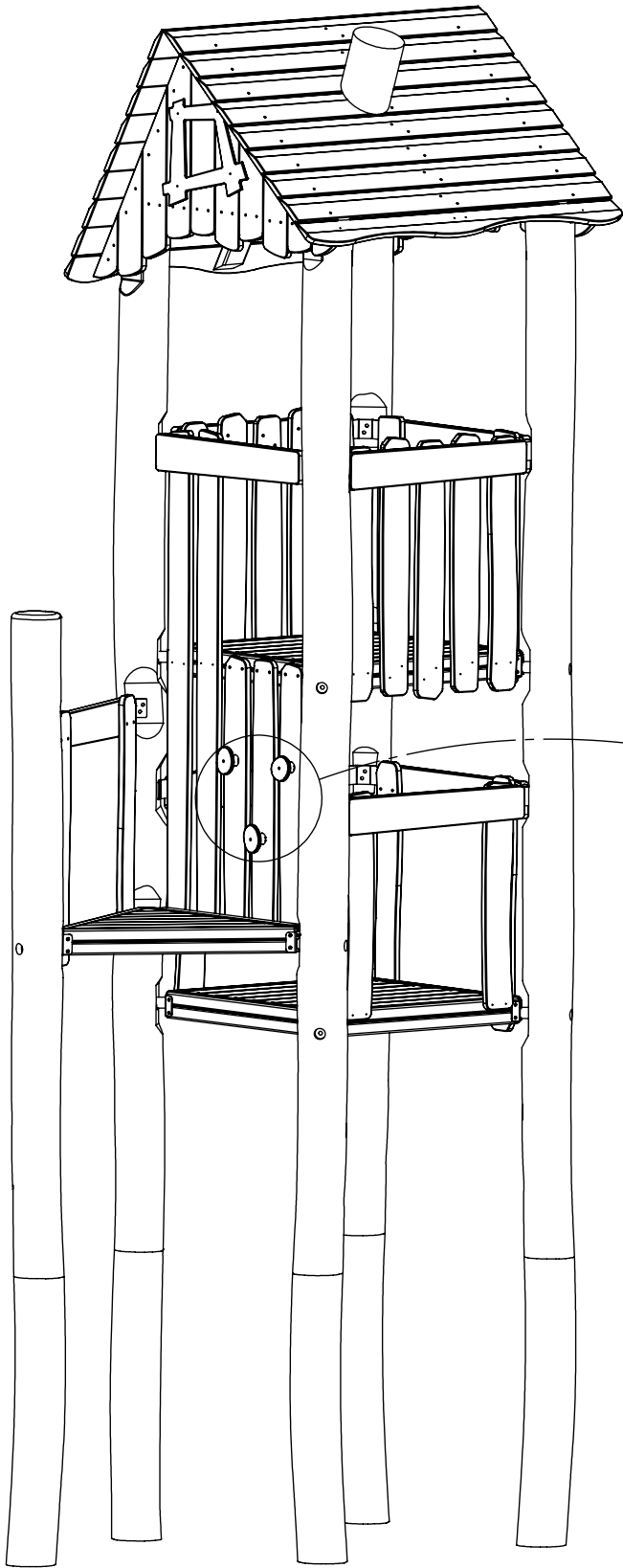
Ø 3,5mm



2x 5x50sxs

[cm]

vinci play



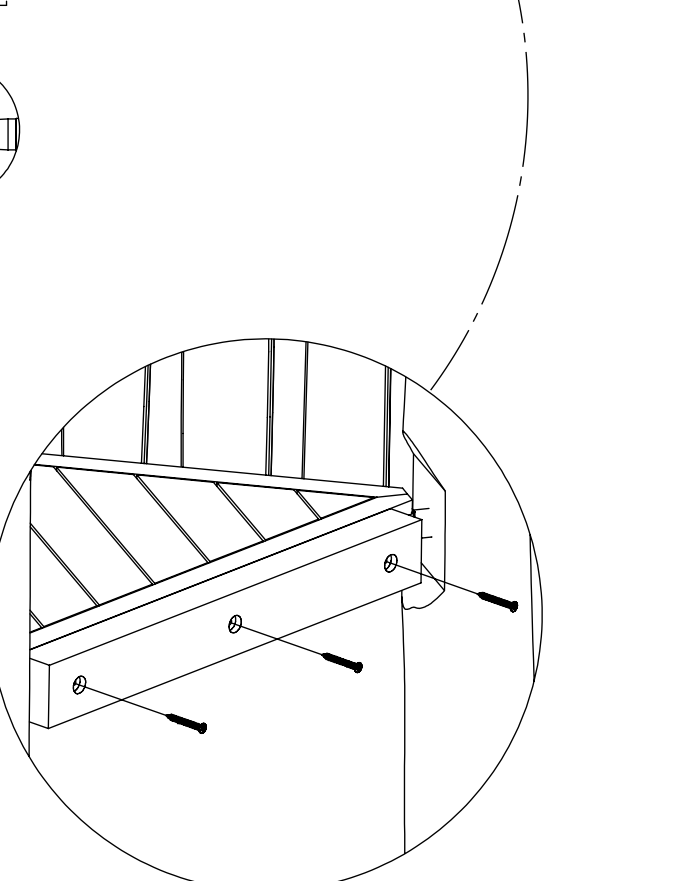
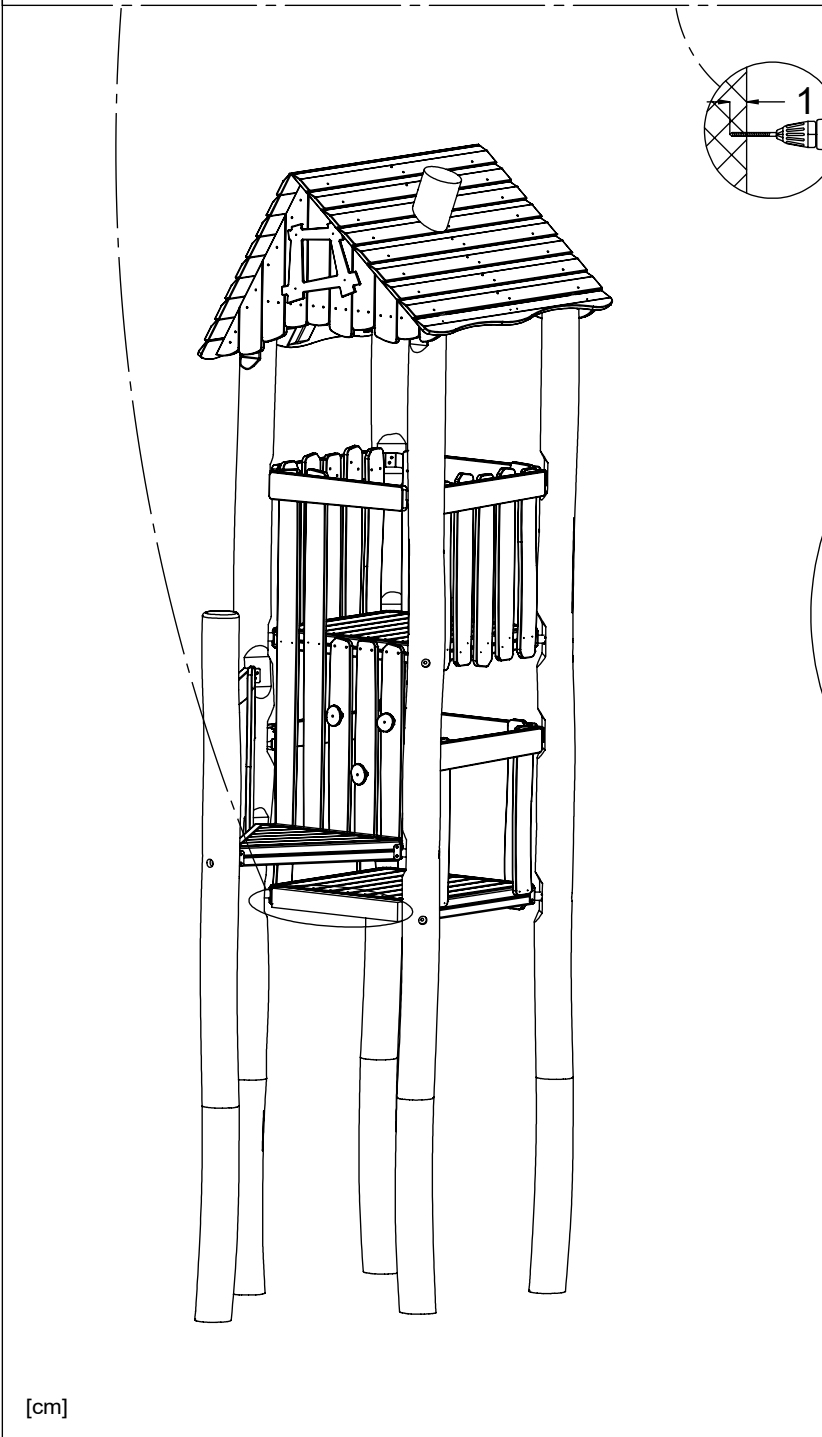
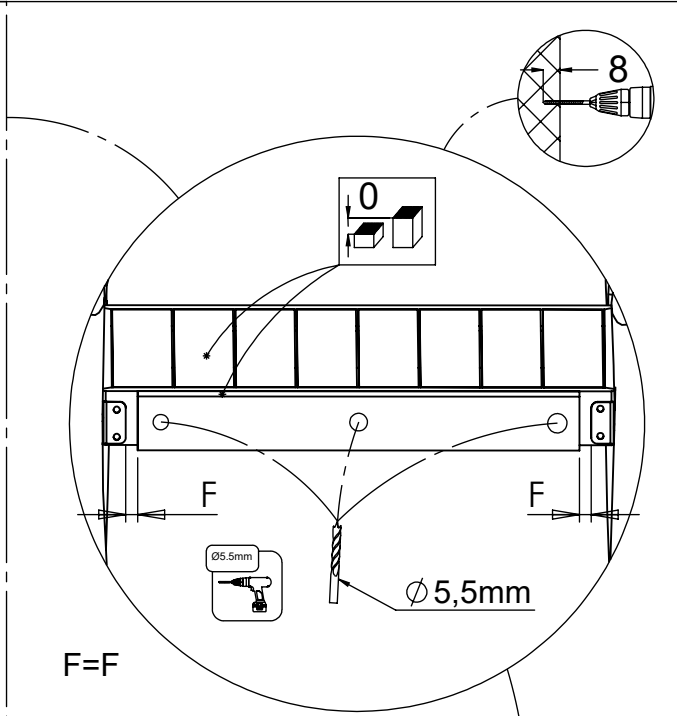
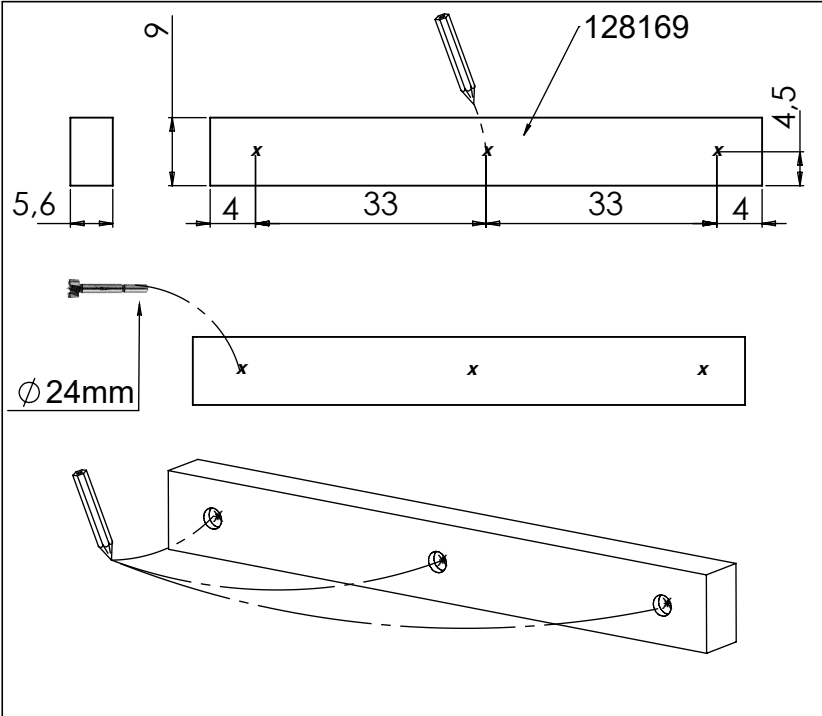
3x 121110

1x 12e065

3x 123103

[cm]

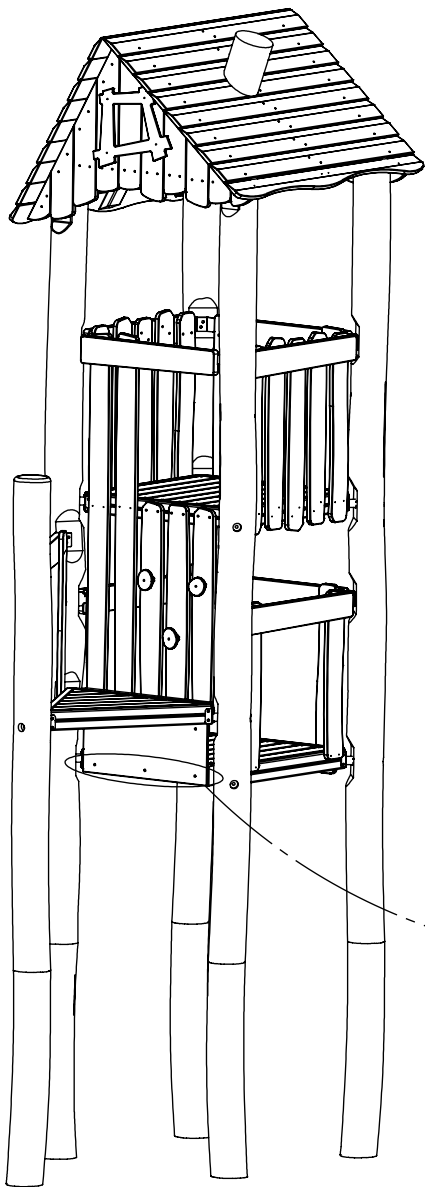
vinci
play



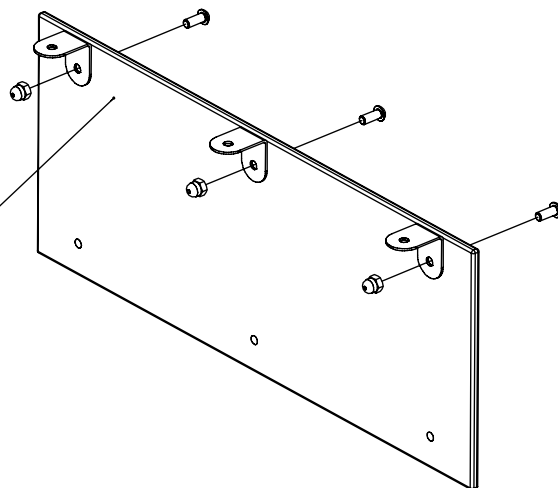
3x 8x80sxt

[cm]

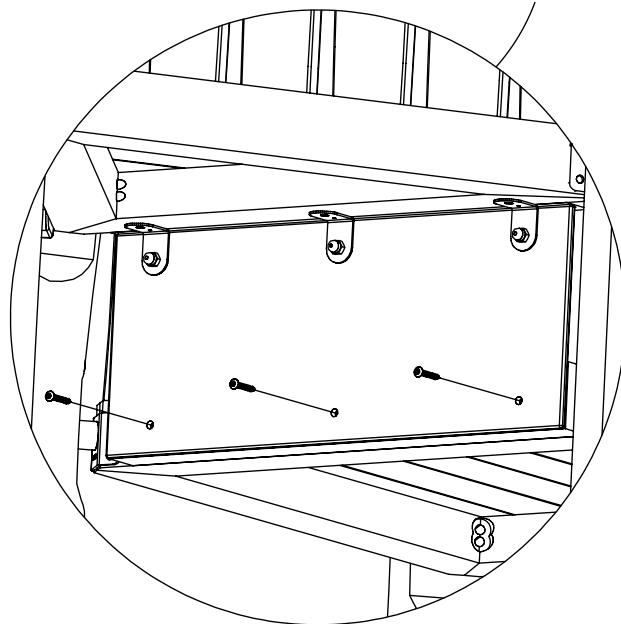
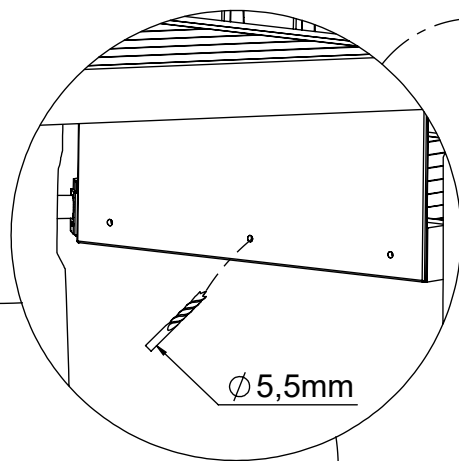
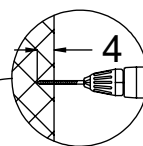
vinci
play



121129



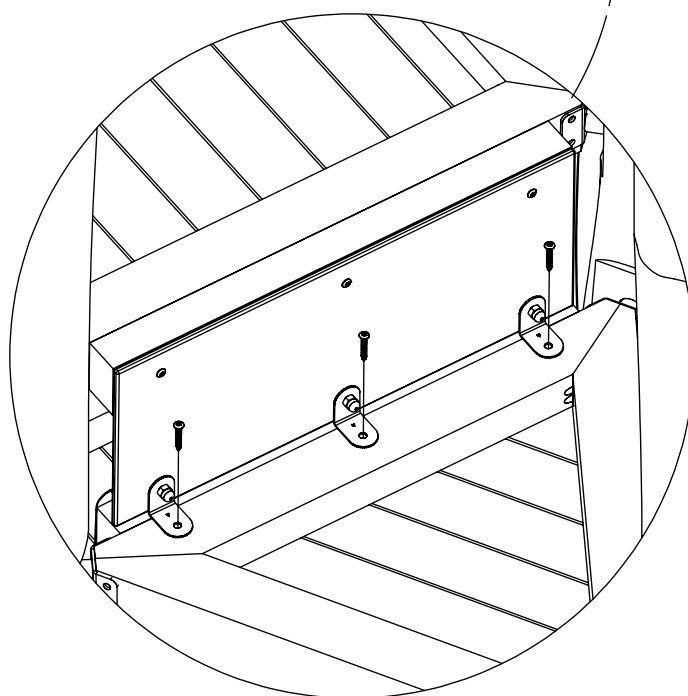
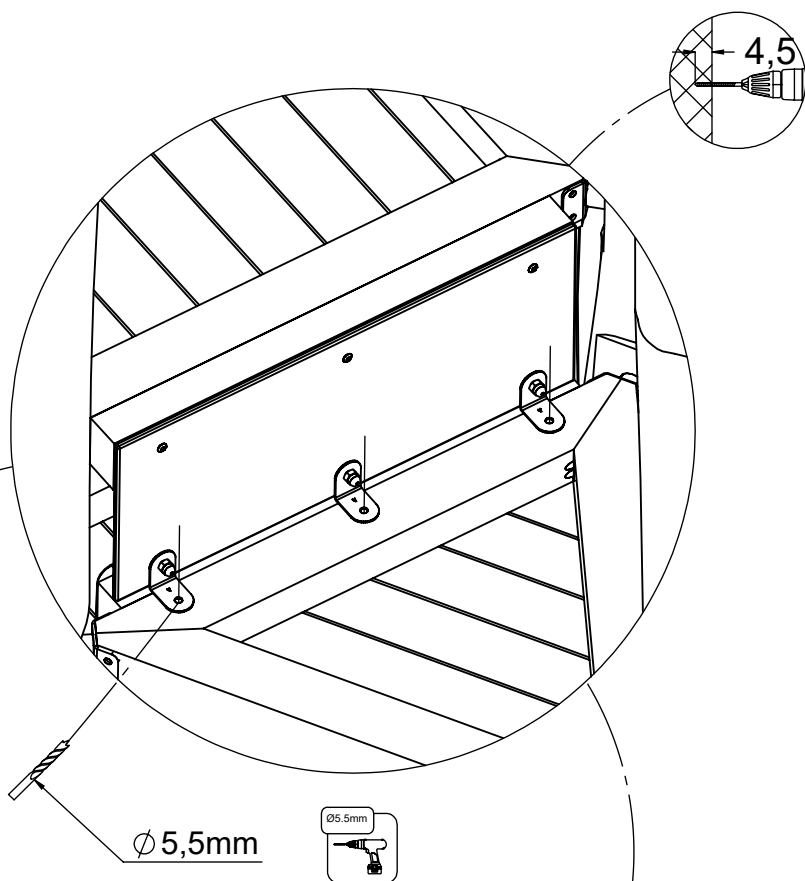
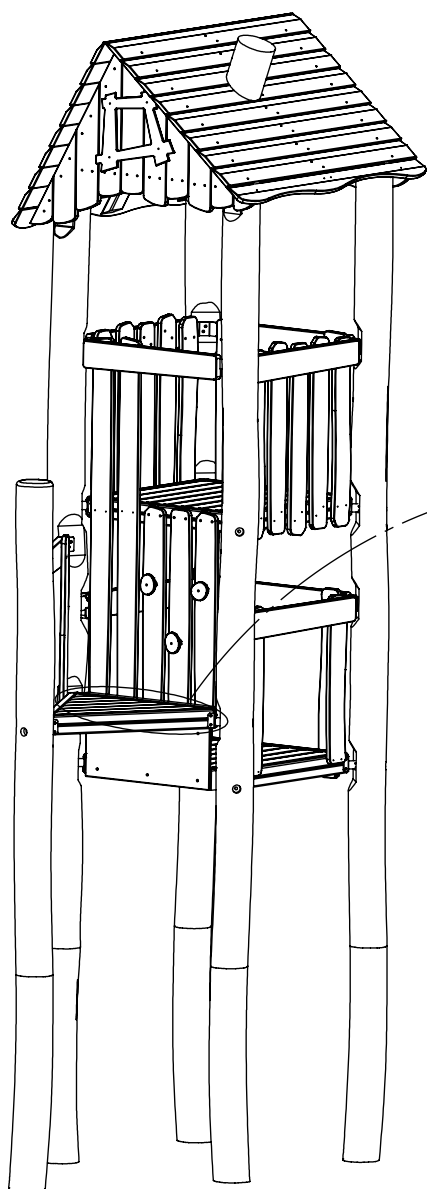
1x 12e064



3x 8x50sxi

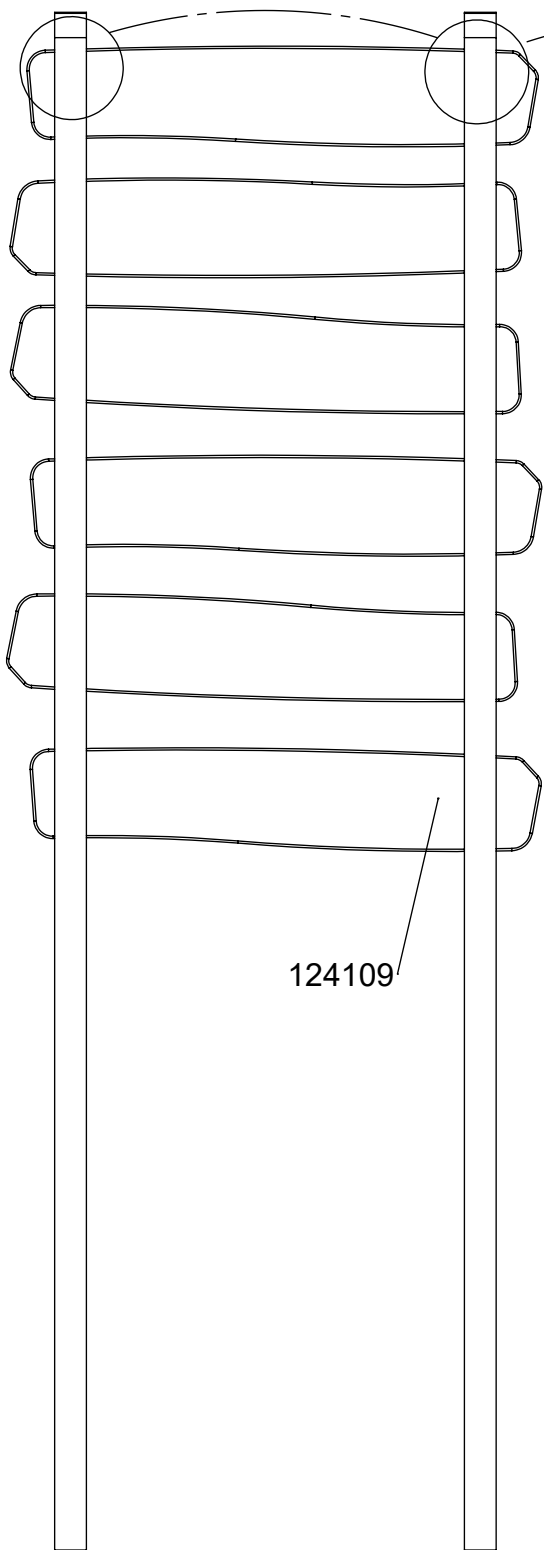
[cm]

vinci
play

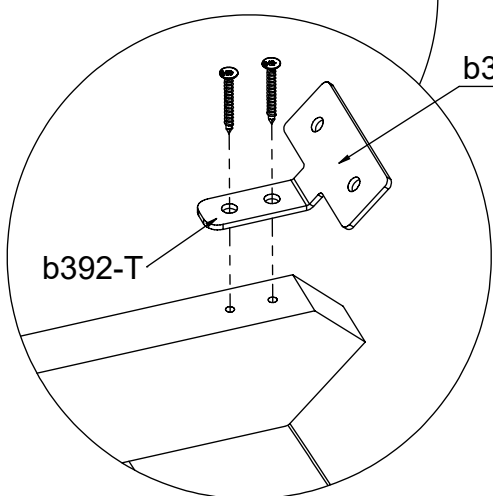
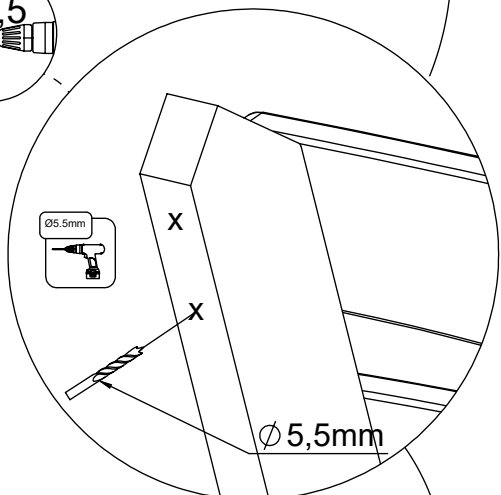
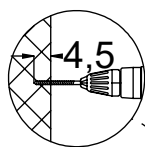
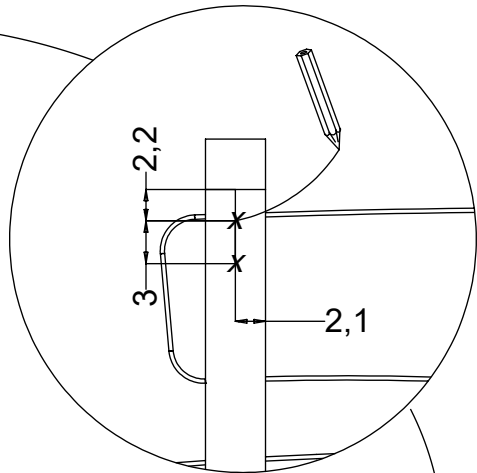


[cm]

vinci
play



124109



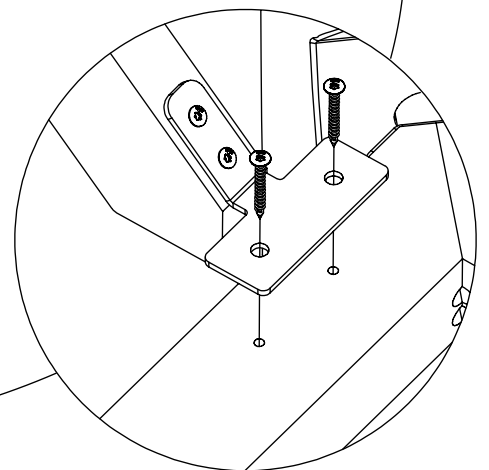
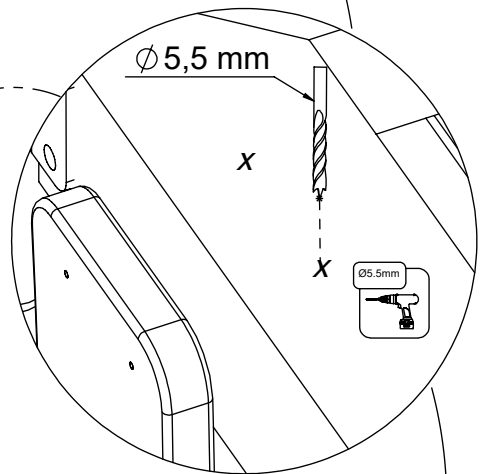
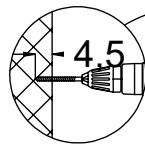
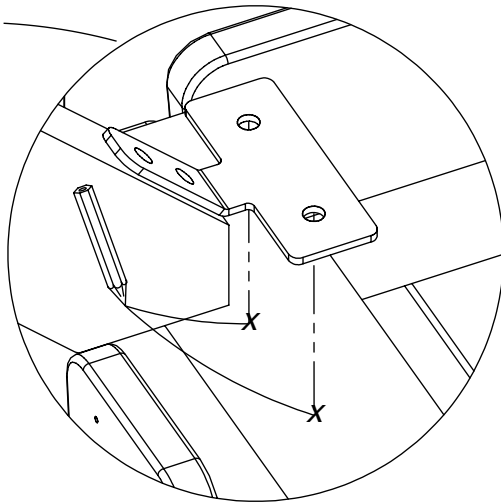
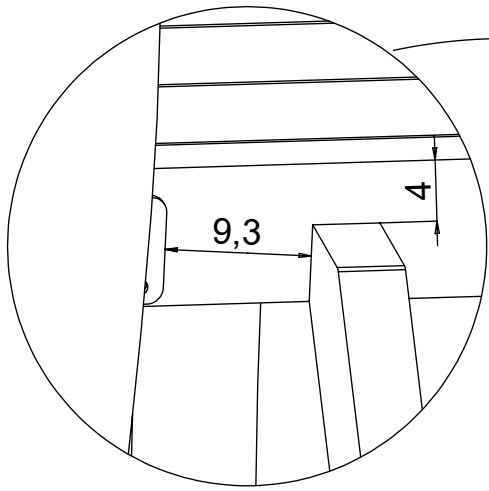
b392

b392-T

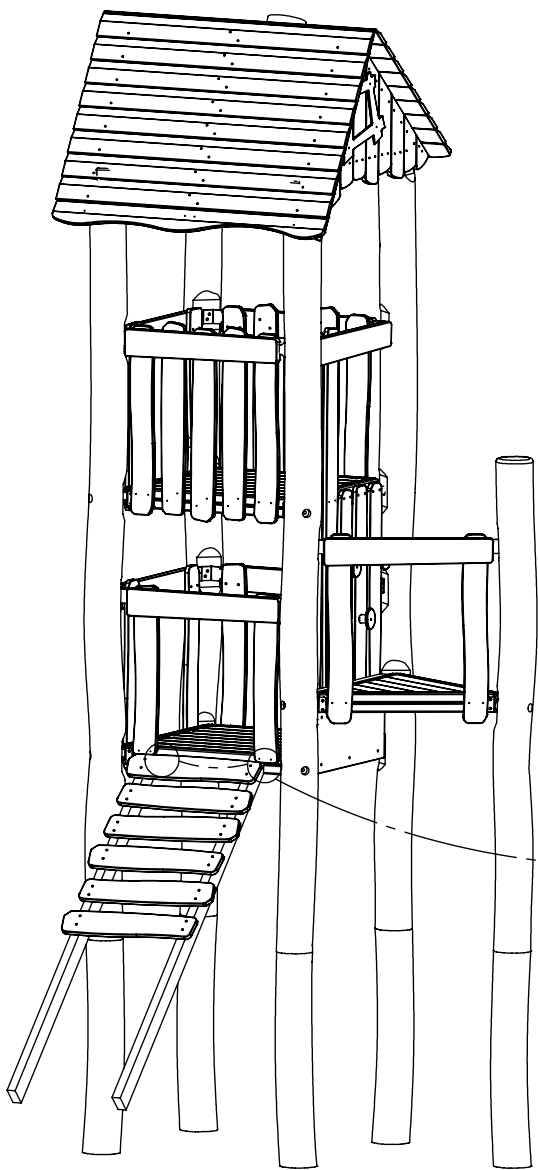
4x 8x50 sxi

[cm]

vinci
play

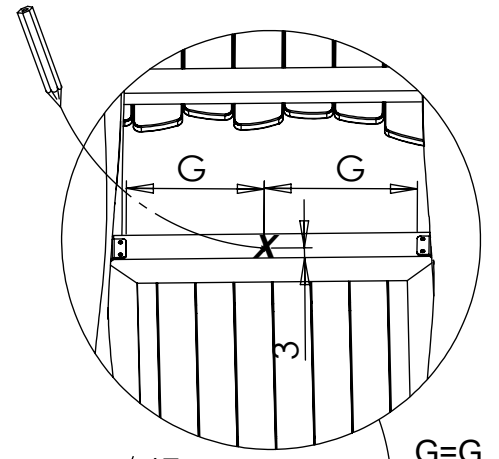
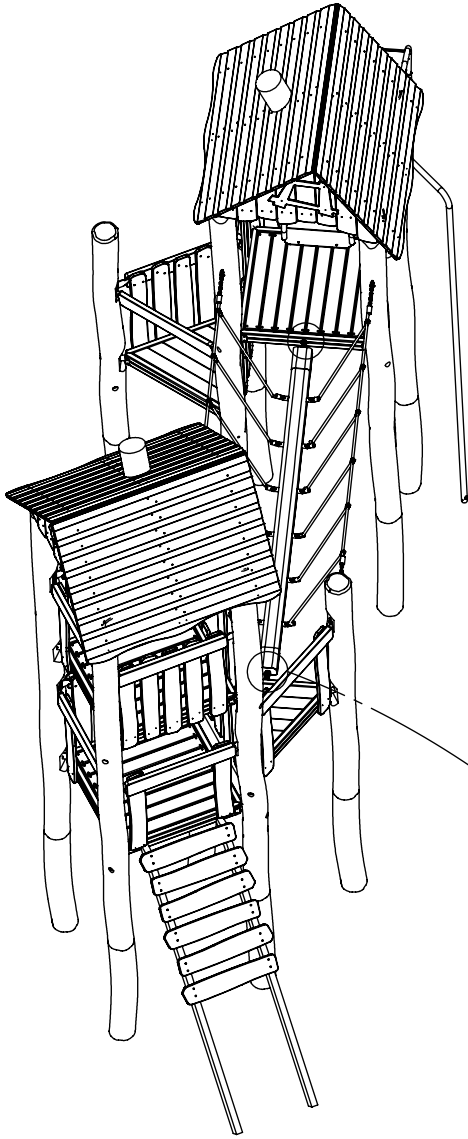


4x 8x50sxi



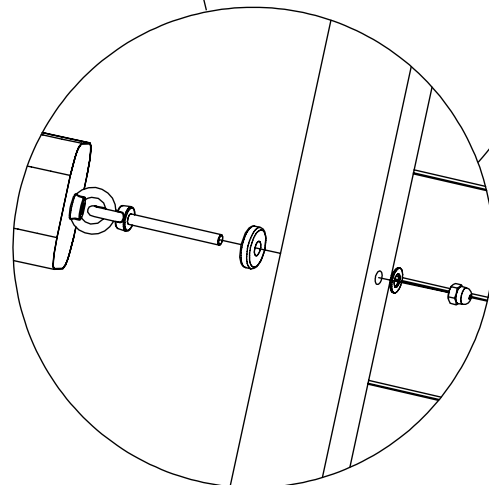
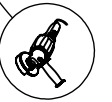
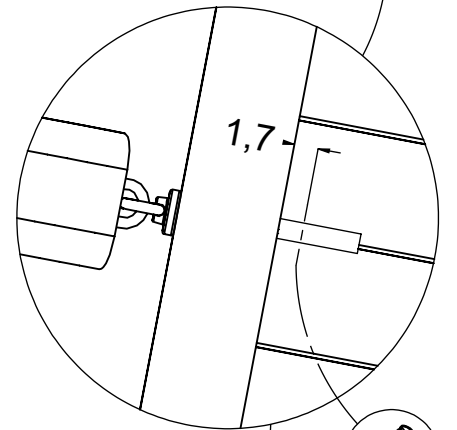
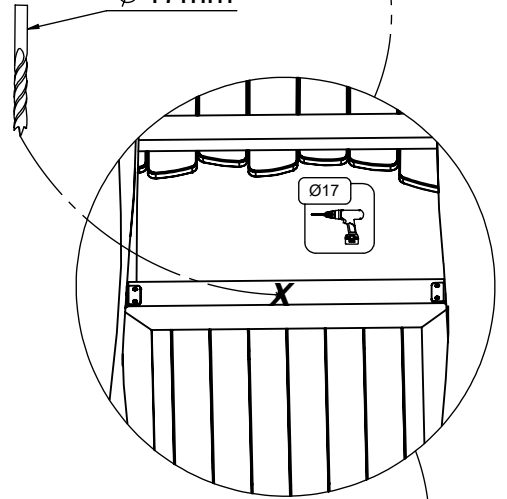
[cm]

vinci
play



G=G

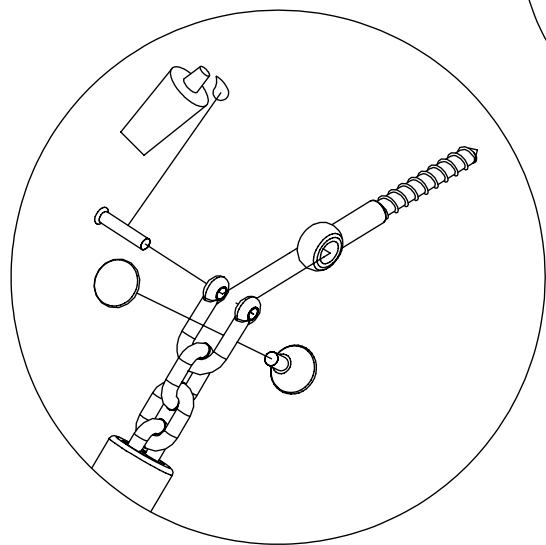
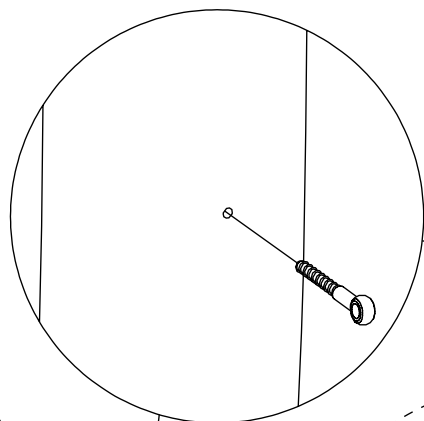
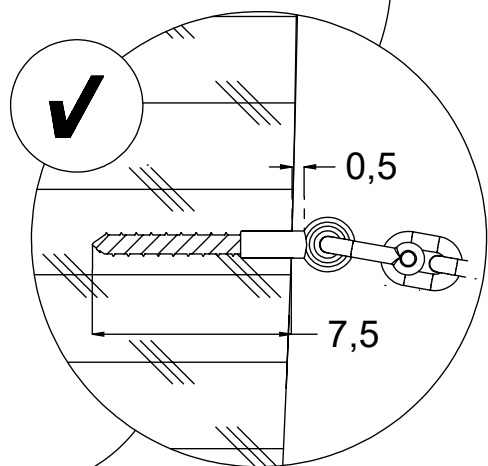
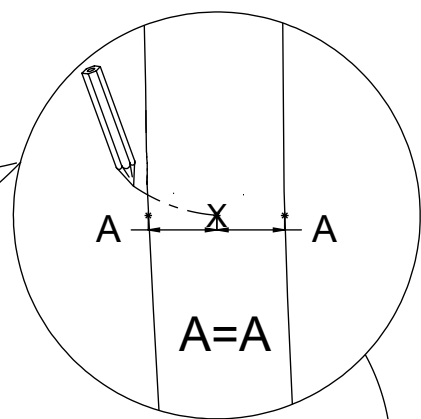
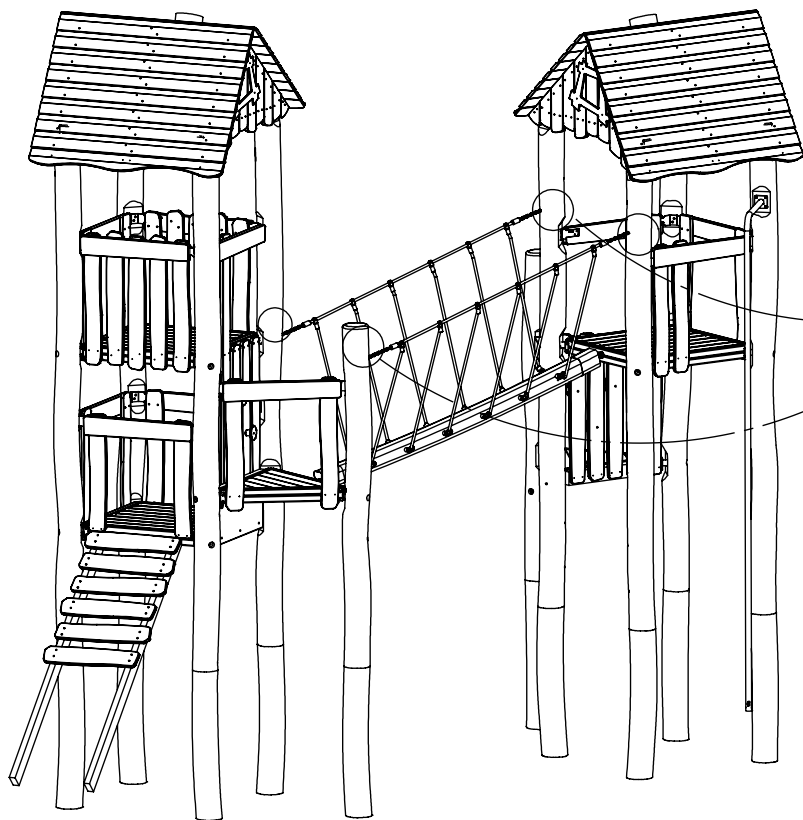
Ø 17mm



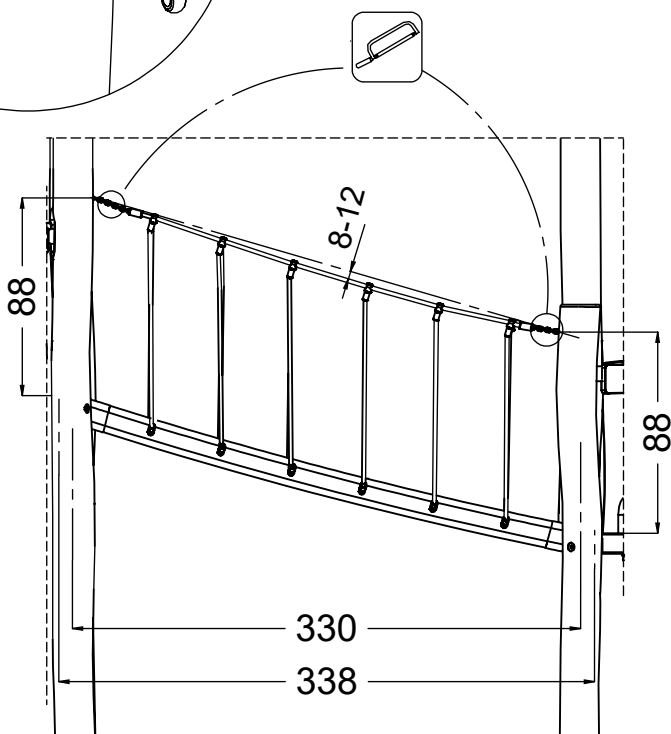
1x 12e051

[cm]

vinci
play

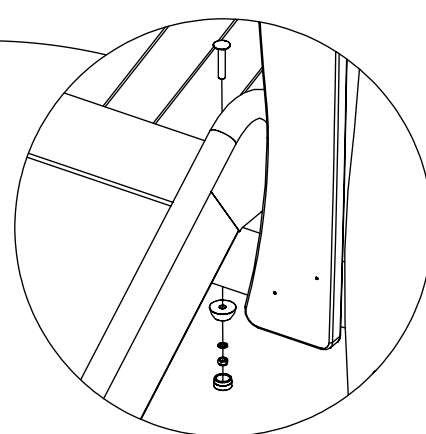
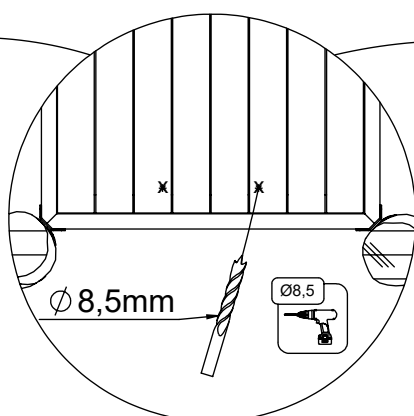
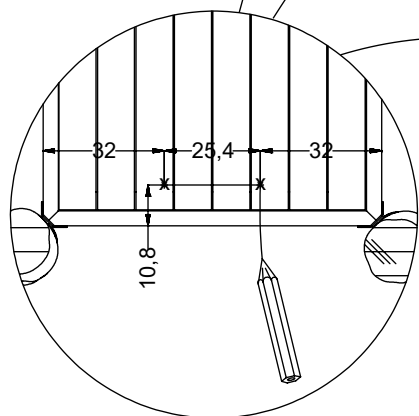
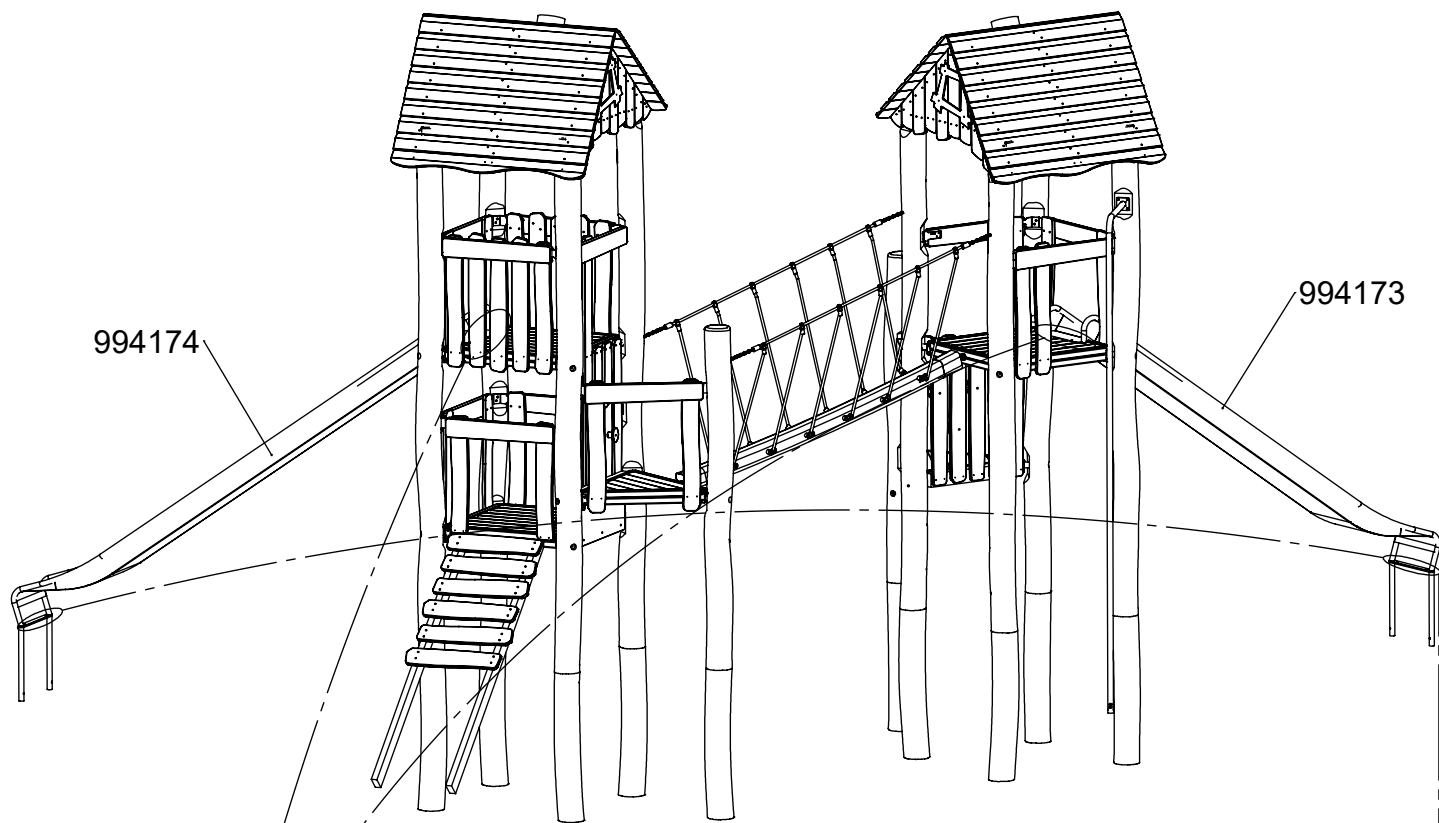


2x 12e007

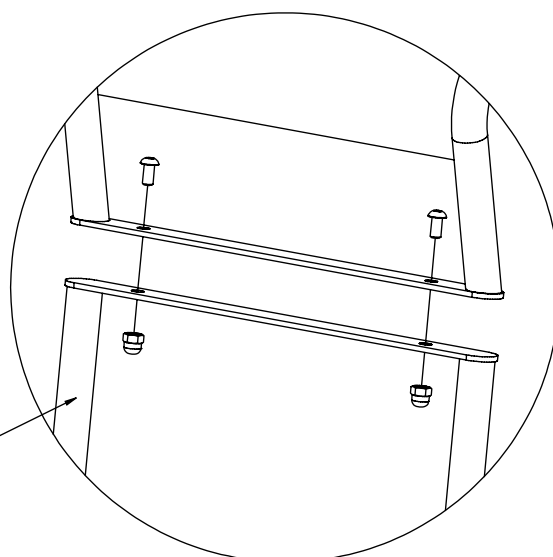


[cm]

vinci
play



2x 12e019

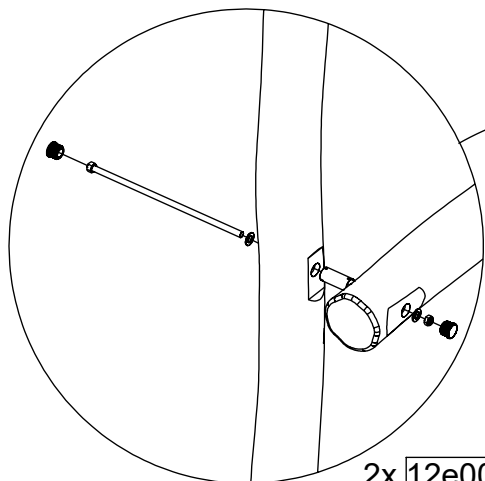
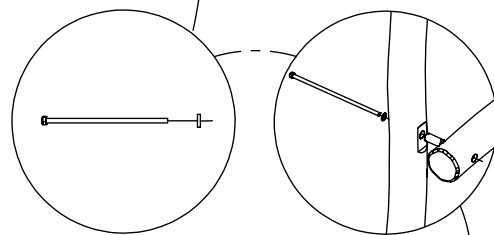
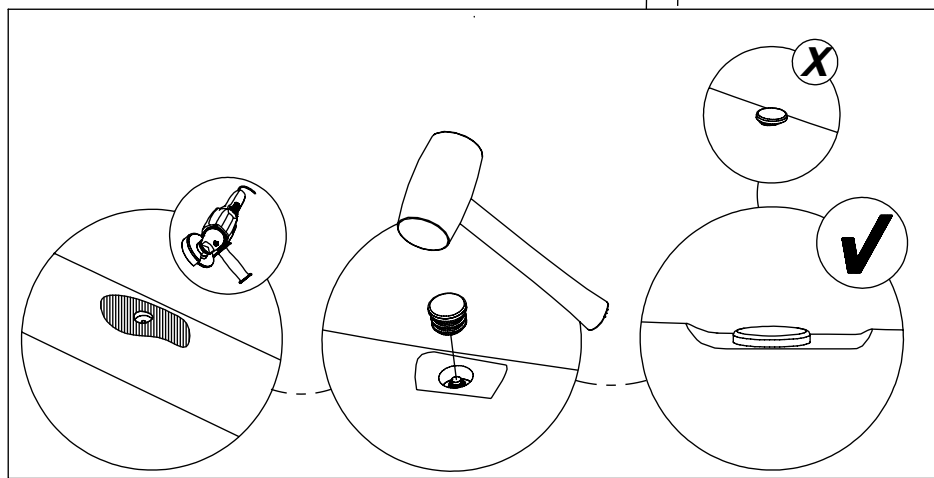
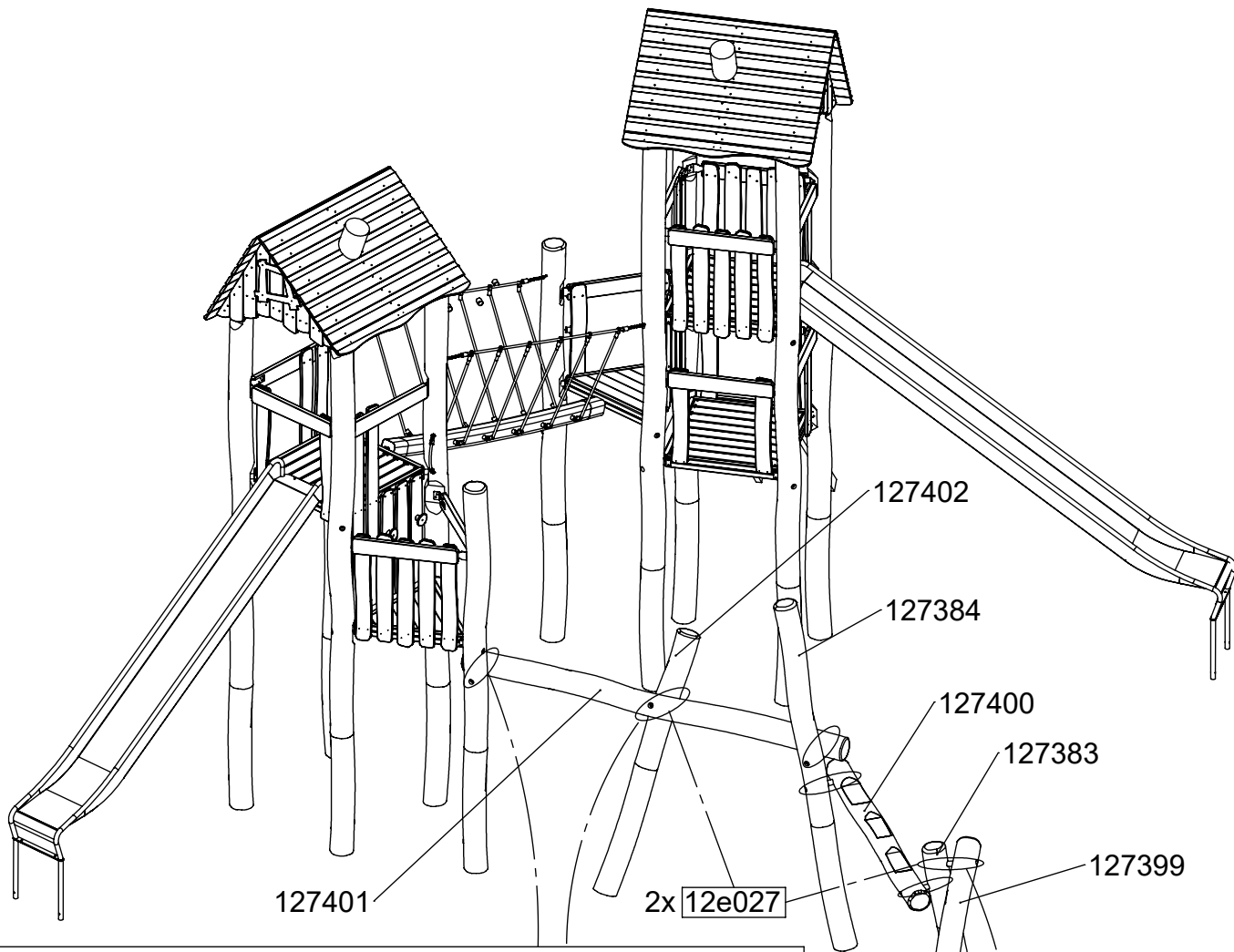


2x 992161

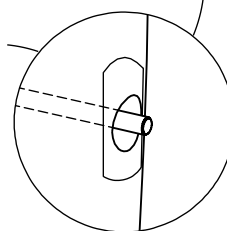
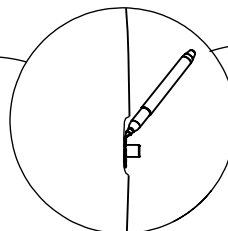
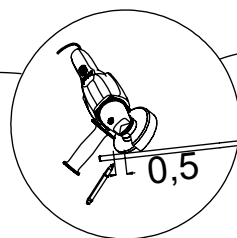
2x 12e030

[cm]

vinci
play



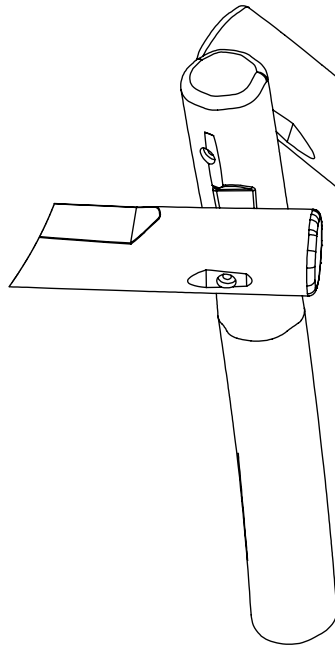
2x 12e0027



[cm]

vinci
play

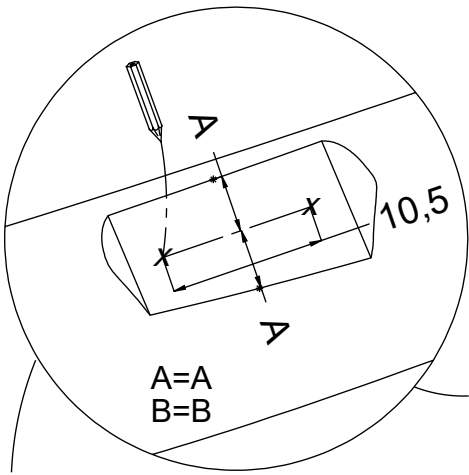
127399



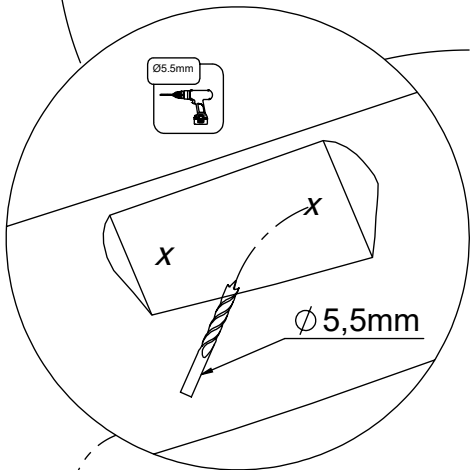
10

127123

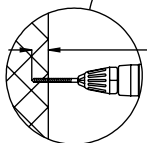
082112



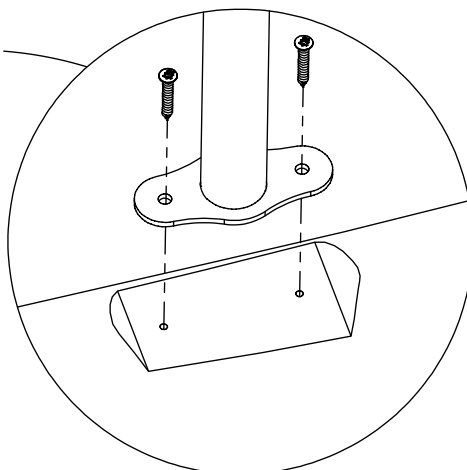
A=A
B=B



Ø 5,5mm



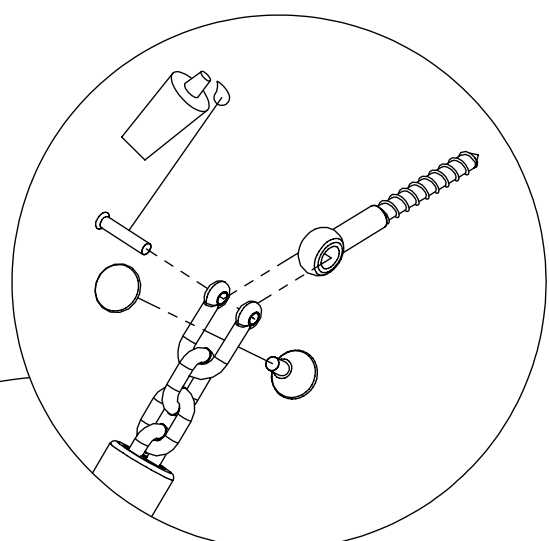
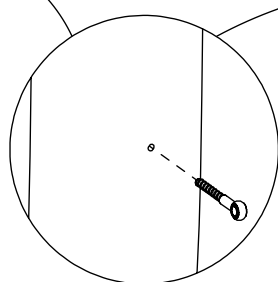
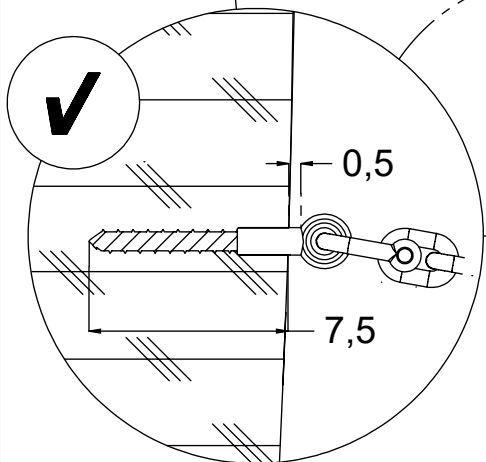
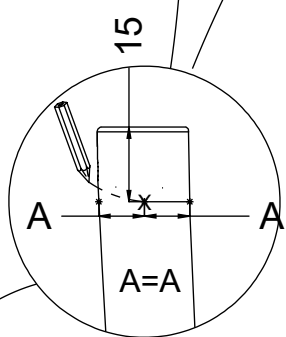
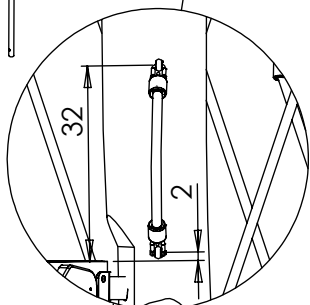
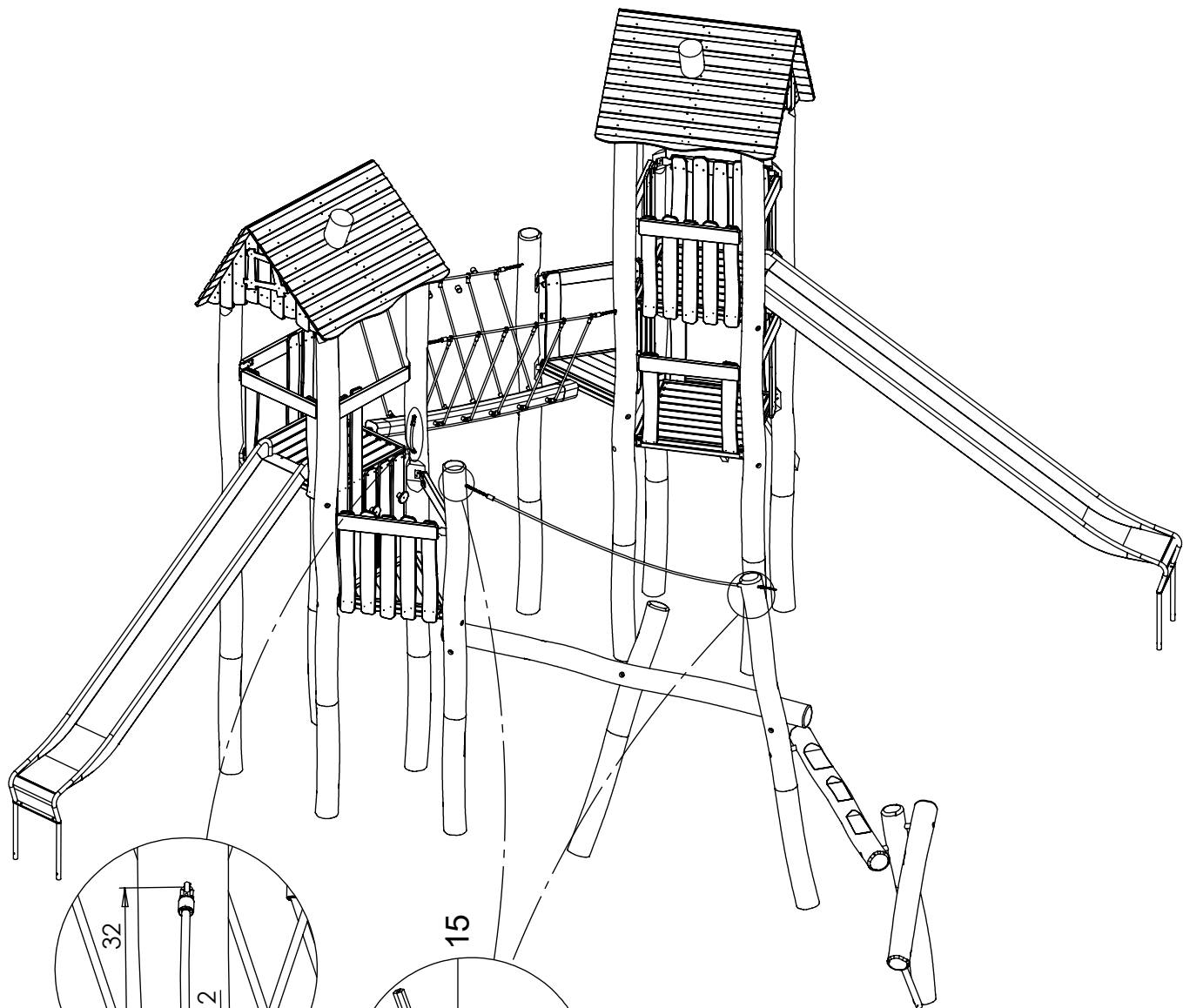
4,5



2x 8x50sxi

[cm]

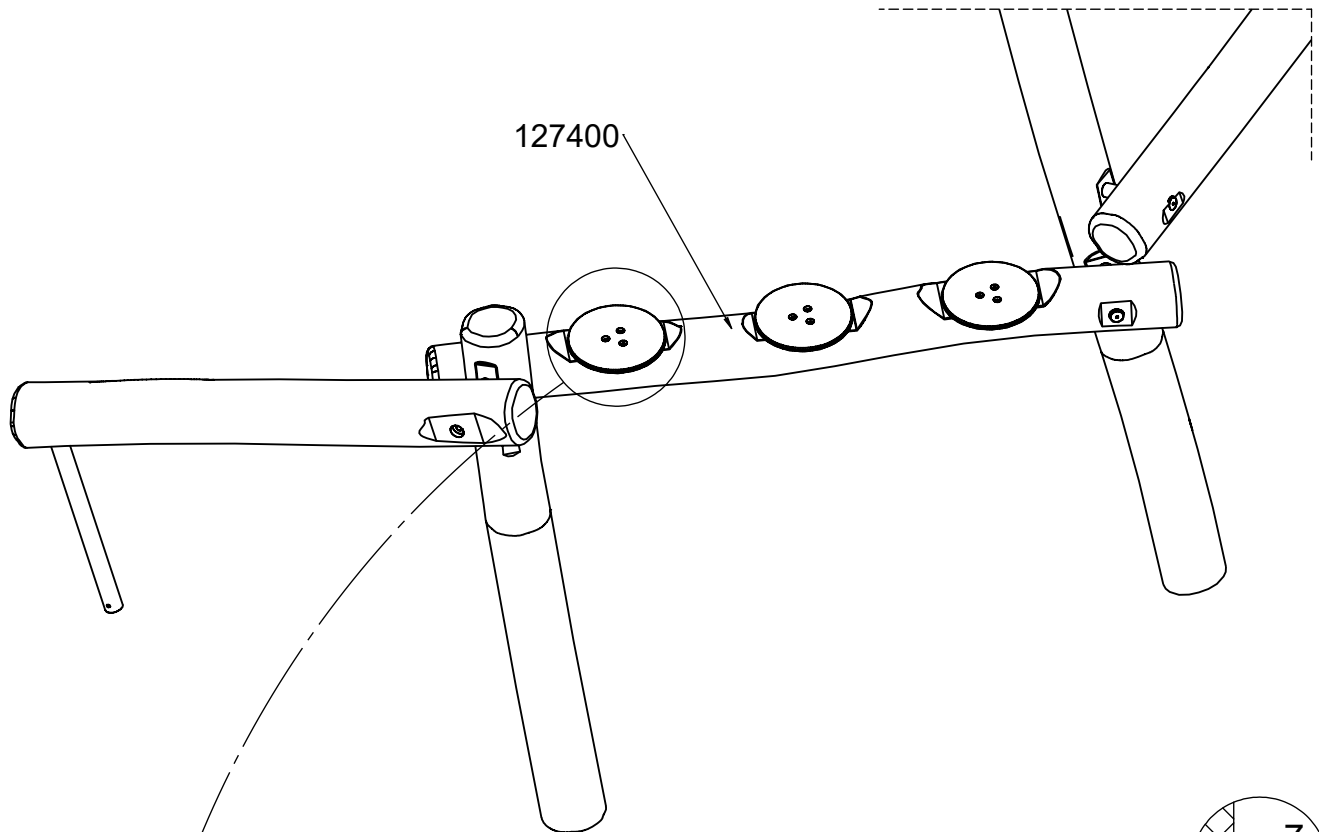
vinci
play



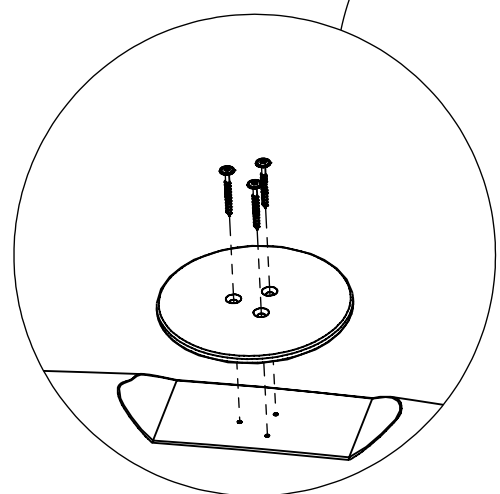
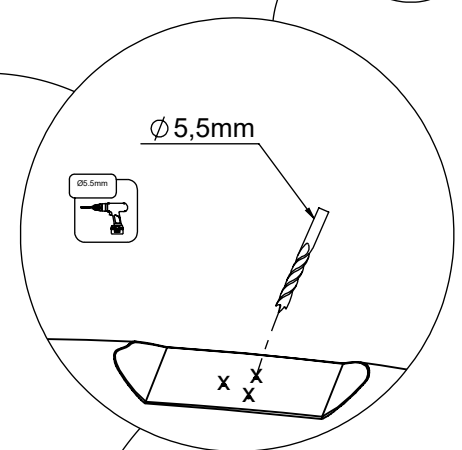
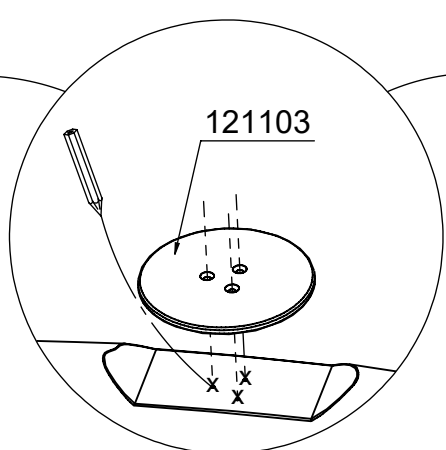
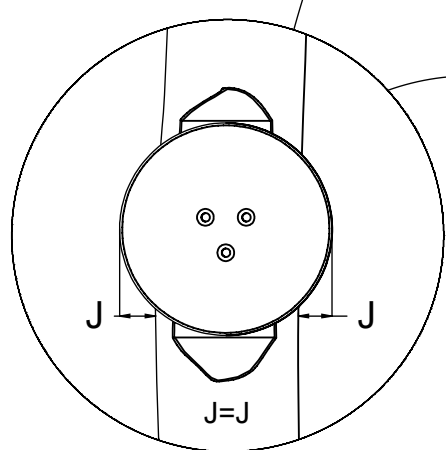
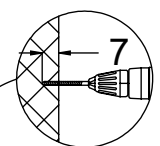
2x 12e007

[cm]

vinci
play



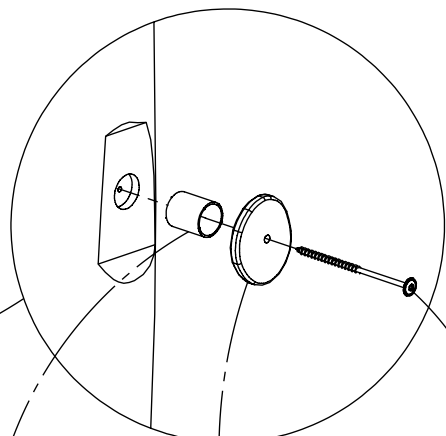
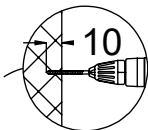
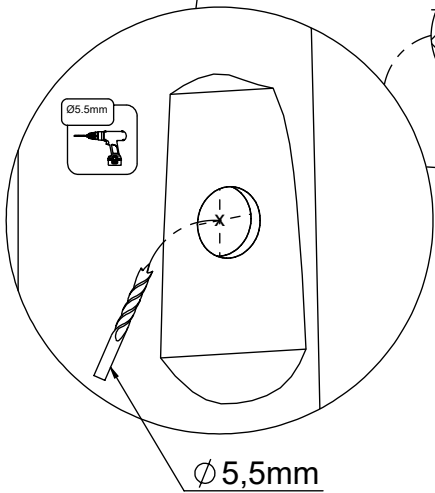
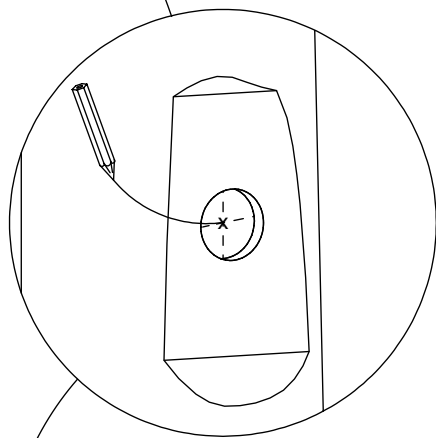
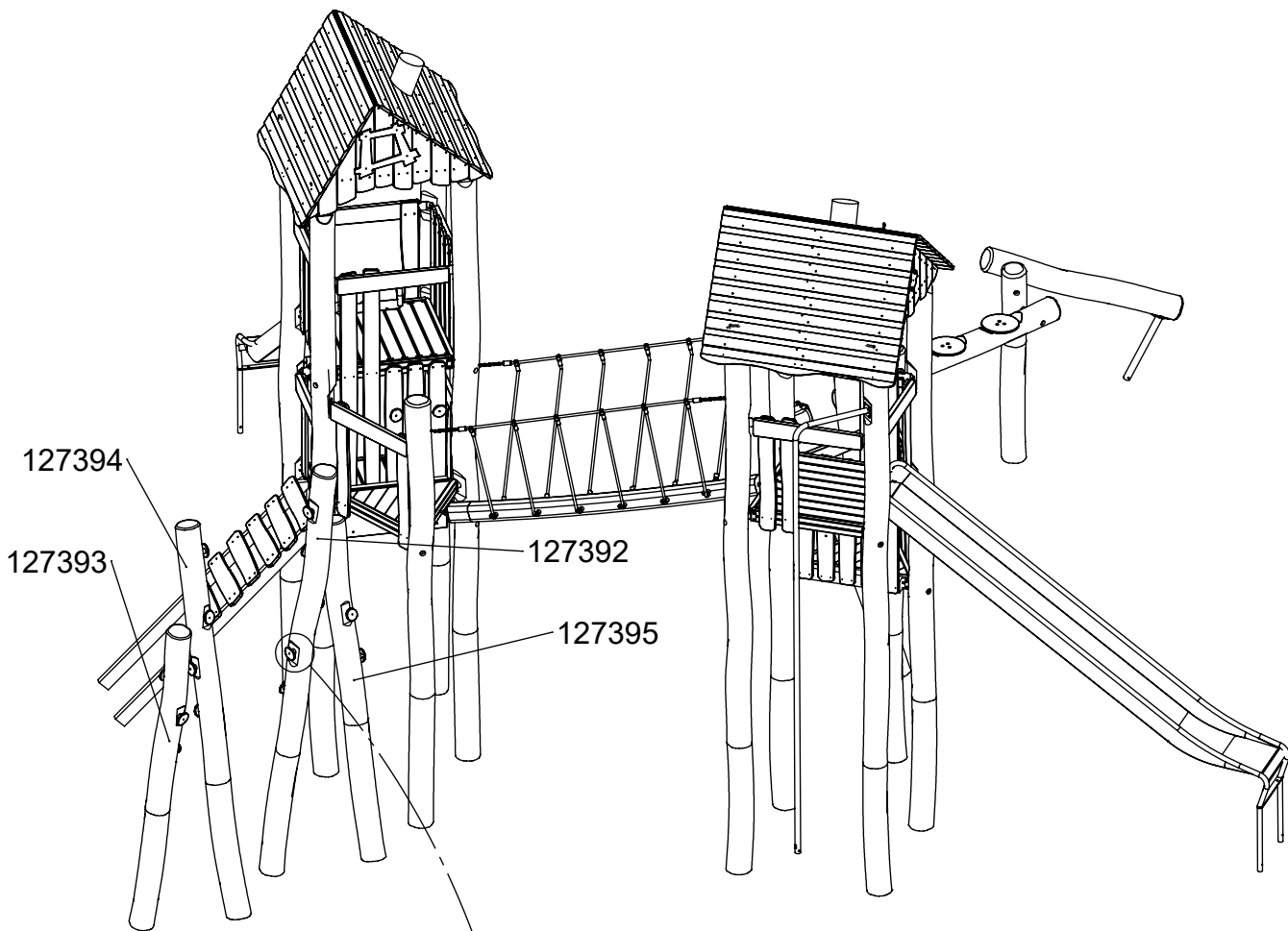
127400



9x 8x80sxt

[cm]

vinci
play



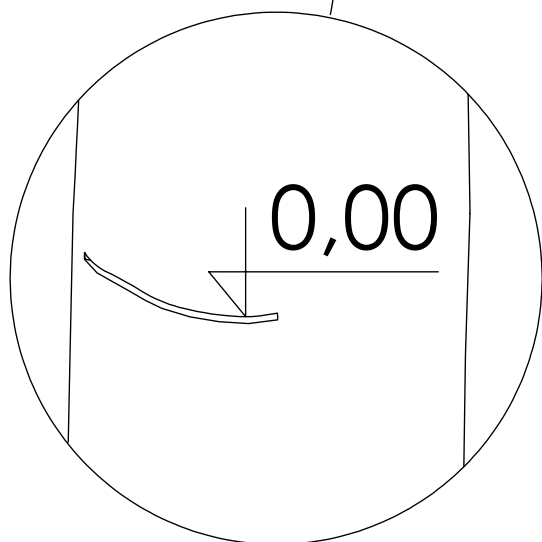
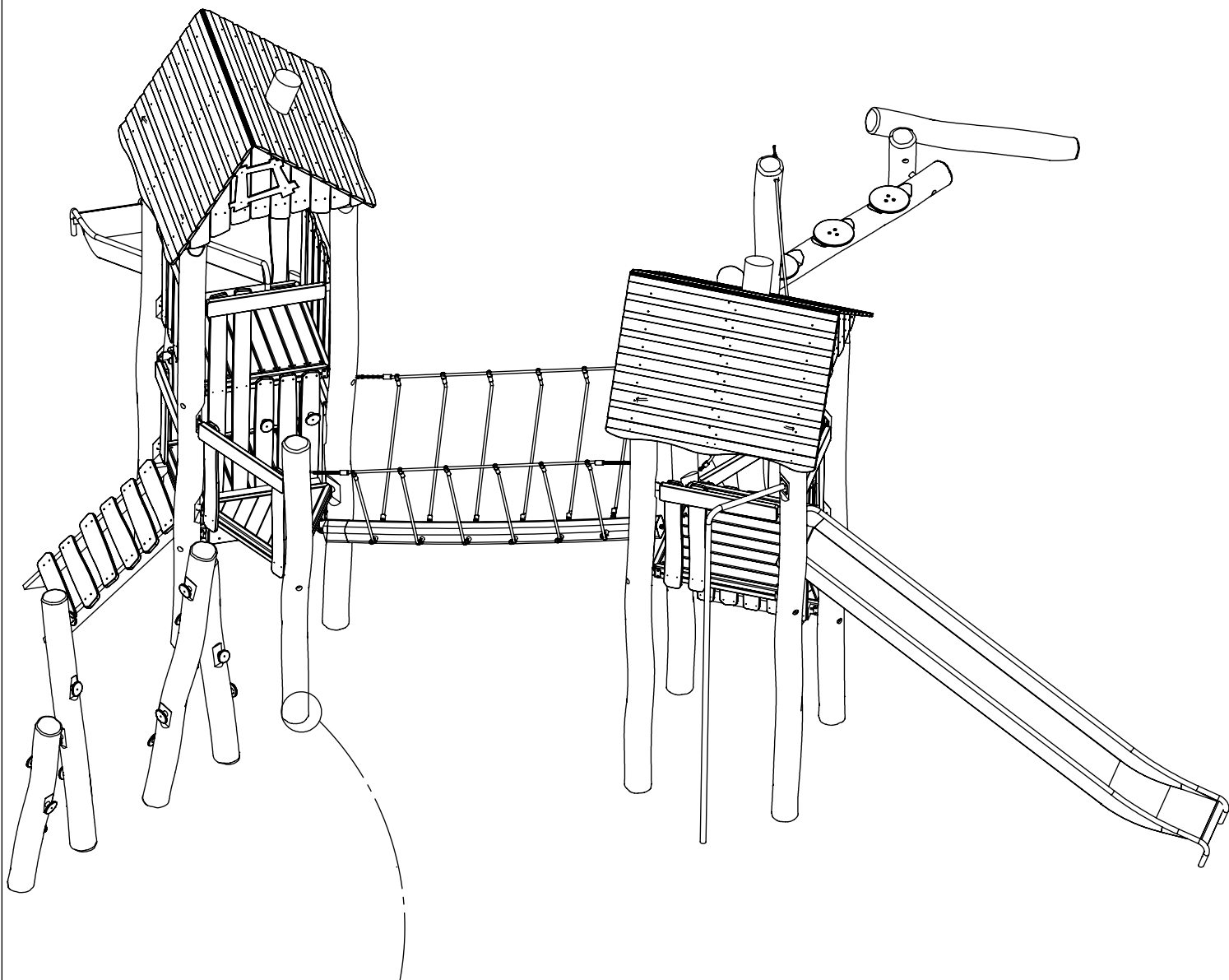
15x 123103

15x 121110

15x 8x160sxt

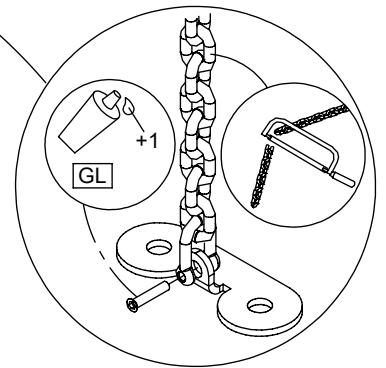
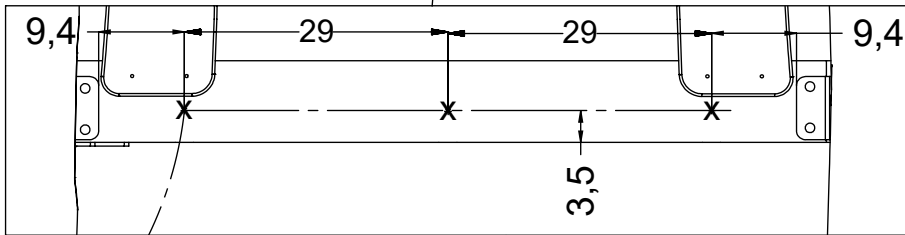
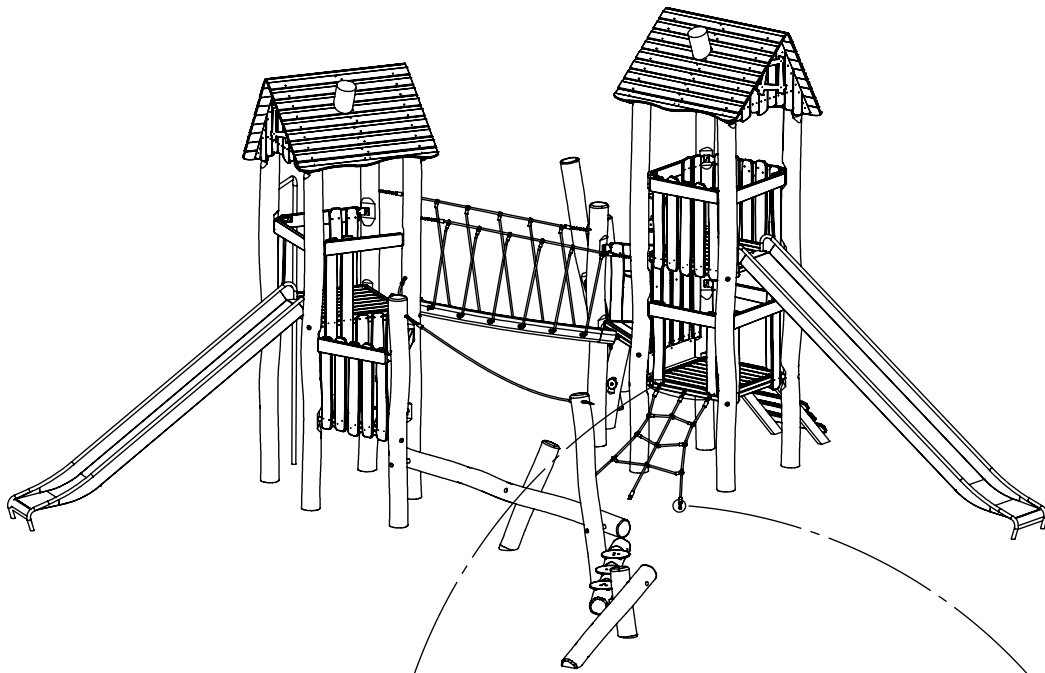
[cm]

vinci
play

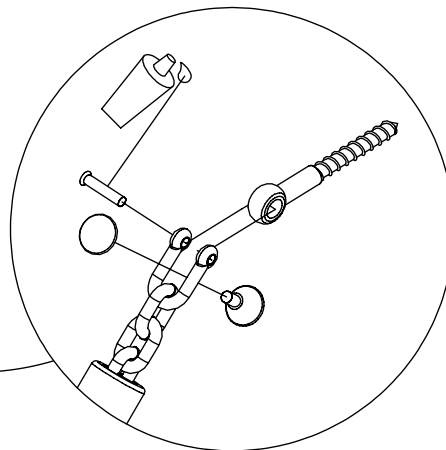
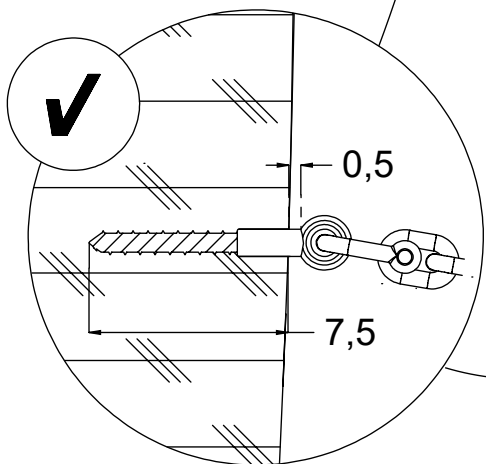


[cm]

vinci
play



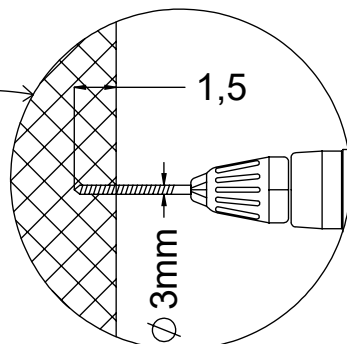
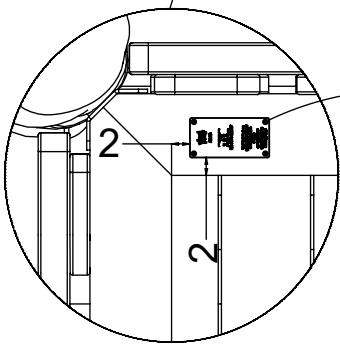
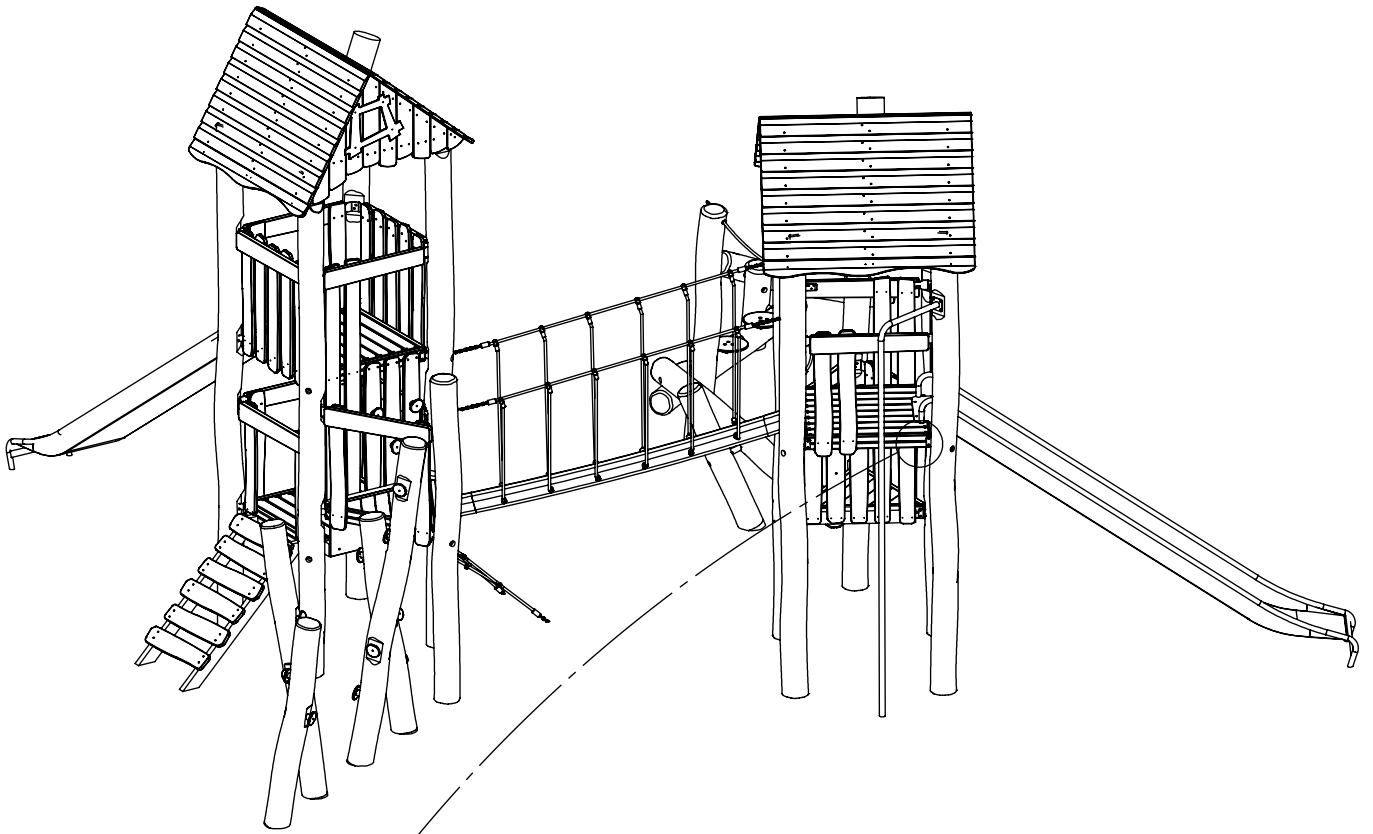
3x 12e052



1x 12e015

[cm]

vinci
play



2,9

vinci
play
Art. Nr.

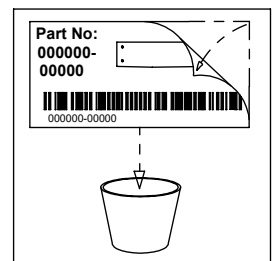
Year
202

EN 1176-1: 2017

Vinci Group Sp. z o.o.
Pogórze, ul. Wolności 8
05-010 Mińsk Mazowiecki
POLAND
+48 42 209 24 80
www.vinci-play.com
www.babyvinci.pl

6,3

V001



[cm]

vinci
play