

# HOOP 0714



5 - 12 years



2 kids



34,6 m<sup>2</sup>

## Material specification

- Hot-dip galvanized and powder coated steel construction,
- Seats/backrests made of durable HPL plate, resistant to weather conditions,
- Moving elements based on a durable braking system closed in casings, which do not require greasing and maintenance, ensuring long service life of the device,
- Screws covered with plastic caps and/or stainless steel screws,



**Physical development**



community

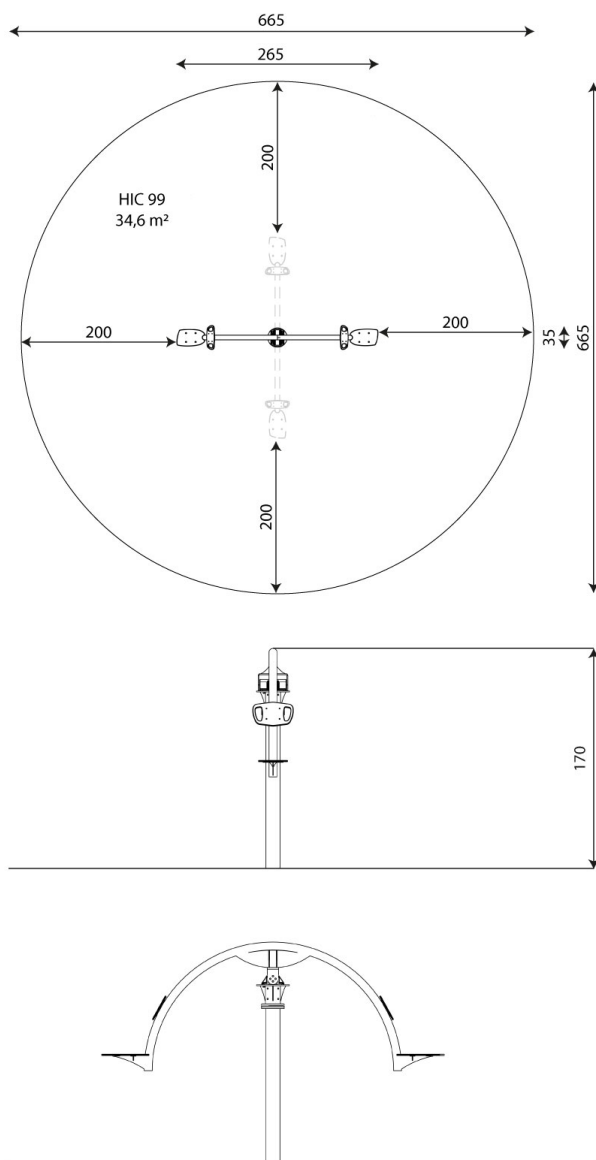


spinning



rocking





## Product technical sheet

# HOOP 0714

### Product data

Length	265 cm
Width	35 cm
Total height	170 cm
Age group	5 - 12 years
Number of users	2 kids
Safety zone	34,6 m <sup>2</sup>
Free fall height	99 cm
In accordance with norm EN	1176-1:2017
Availability of spare parts	YES

Color options

Data is subject to change without prior notice.

### Additional information

- equipment intended for public playgrounds;
- equipment has a certificate issued by an accredited entity or a declaration of conformity;
- no sharp edges or chinks that would pose a danger of jimmie the head, fingers or any other body parts;
- anchoring on flat surface, 80 cm deep;
- render is for reference only, the actual appearance of the equipment and its color may vary;

## Guarantee

- 30** 30 year guarantee - Structural strength of steel and stainless steel components
- 15** 15 year guarantee - Structural failure of steel and stainless steel, for dynamic equipment
- 10** 10 year guarantee - Structural failure of high density polyethylene and high pressure laminates components
- 5** 5 year guarantee - Corrosion of stainless steel and hot dip galvanized and powder coated components; against bark beetles and rot in case of wooden structural elements

Detailed information in the guarantee card



## Surfaces according to EN 1176-1:2017

	Description (mm)	Layer thickness (cm)	Maximum fall heights (cm)
Turf/ top layer of soil (A,B,C)	-	-	≤100
bark (A,C)	Particle size from 20 to 80	30	≤200
		40	≤300
woodchips (A,C)	Particle size from 5 to 30	30	≤200
		40	≤300
sand or gravel (A,C)	Particle size from 0,25 to 8	30	≤200
		40	≤300
synthetic attested (A,B,C)	Tested according to EN 1177		99

## Product technical sheet

# HOOP 0714

### Amount of safe surface corresponding with free fall height:

HIC 99                      34,6 m<sup>2</sup>

Data is subject to change without prior notice.

