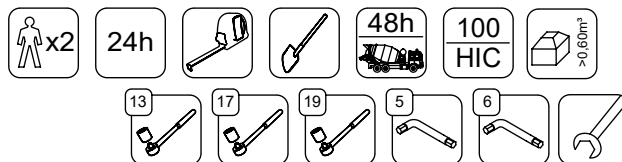
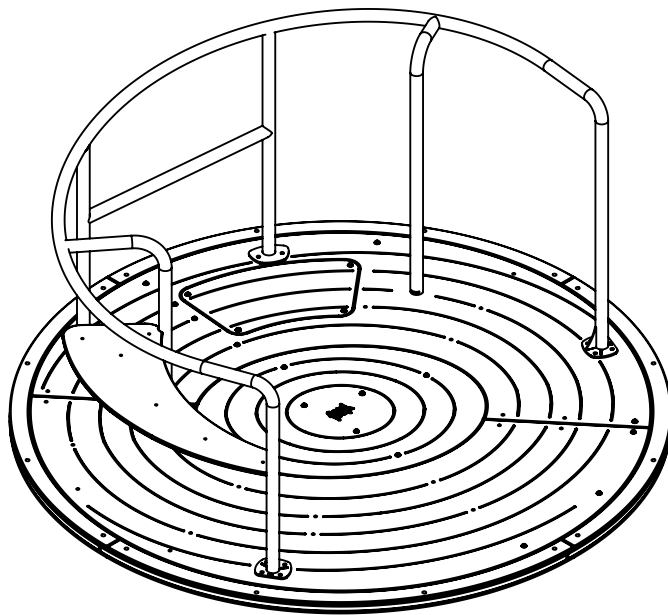
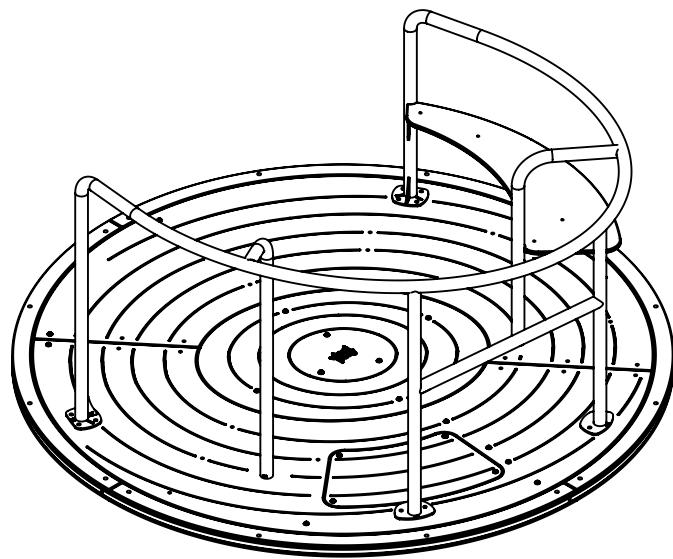
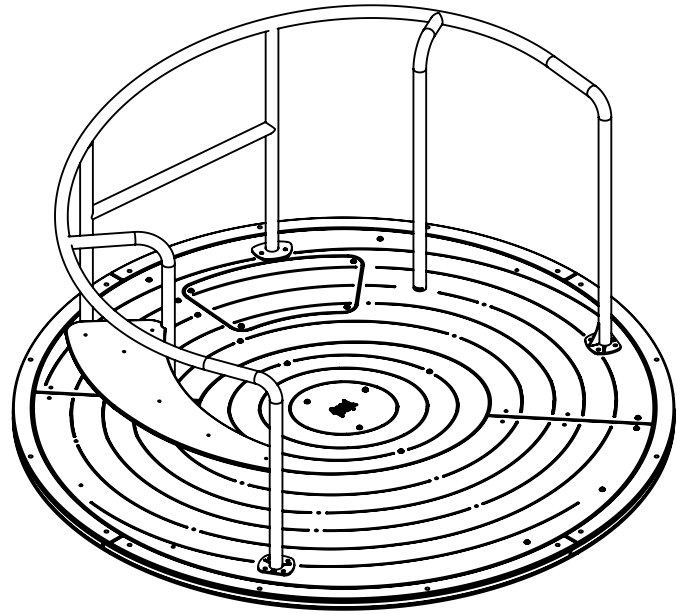


# 0726



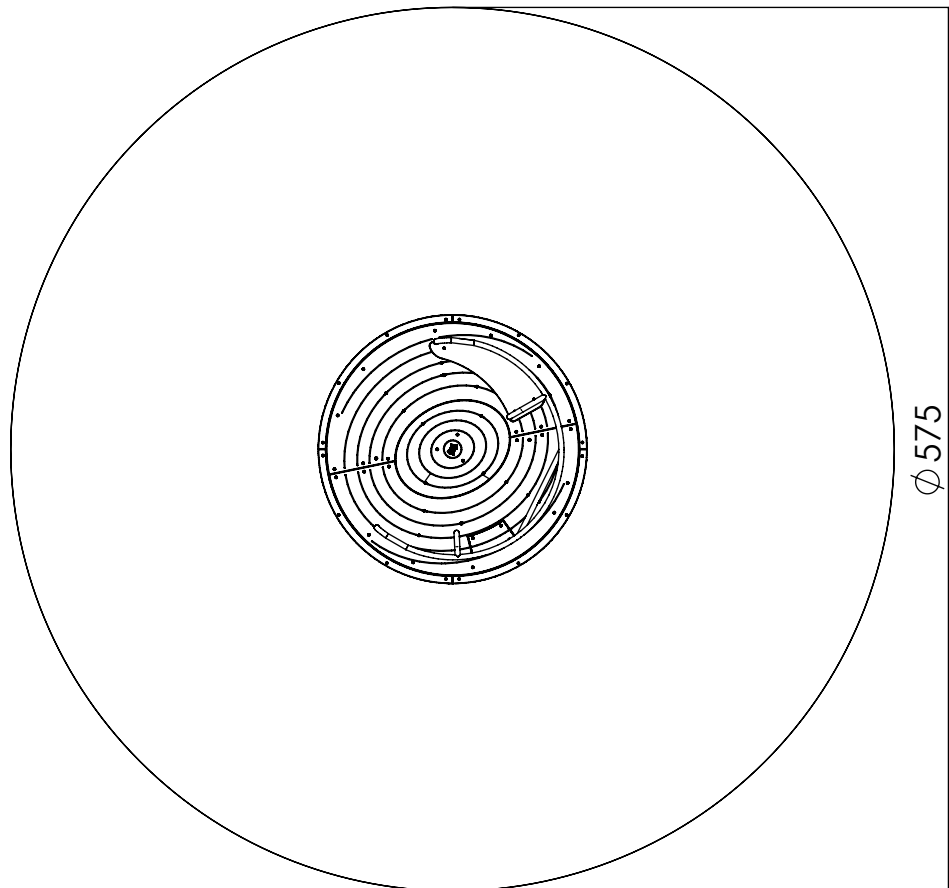
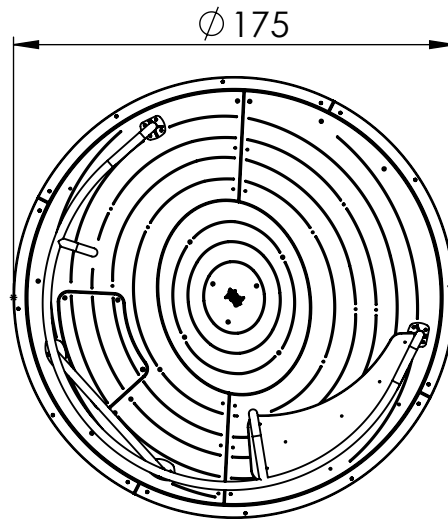
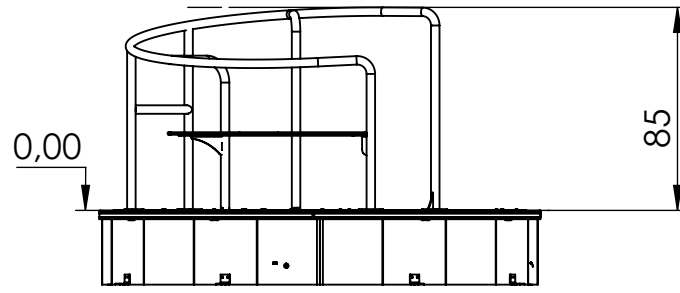
v010  
07.01.2021  
I. A.  
[cm]

vinci  
play



[cm]

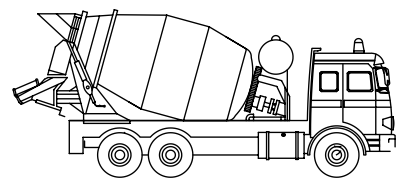
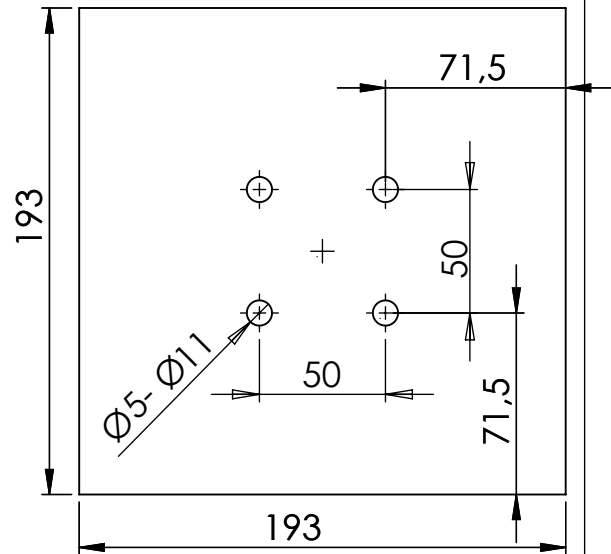
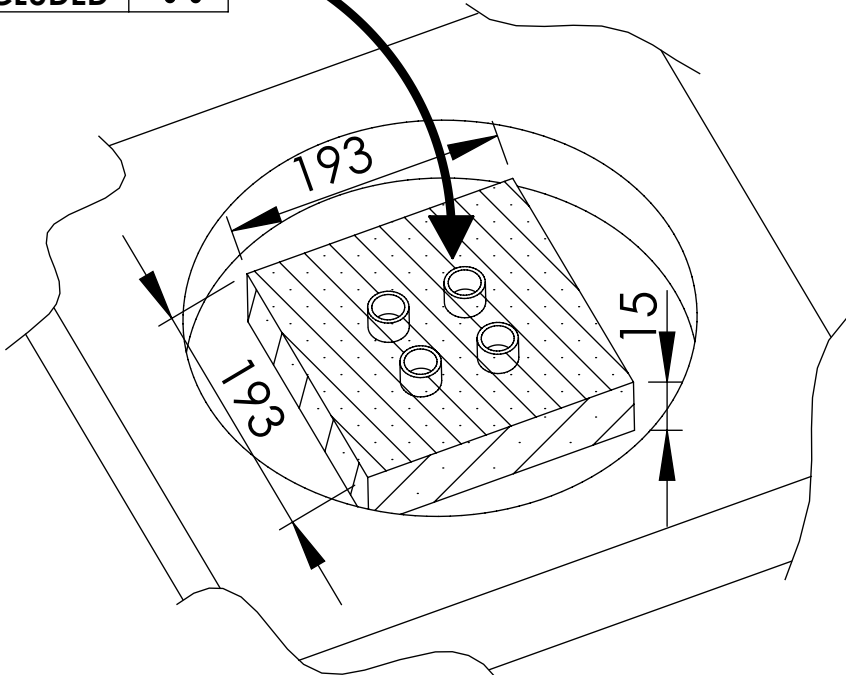
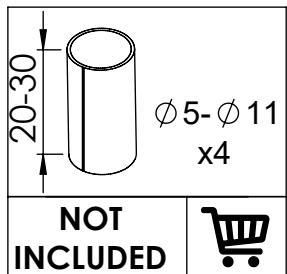
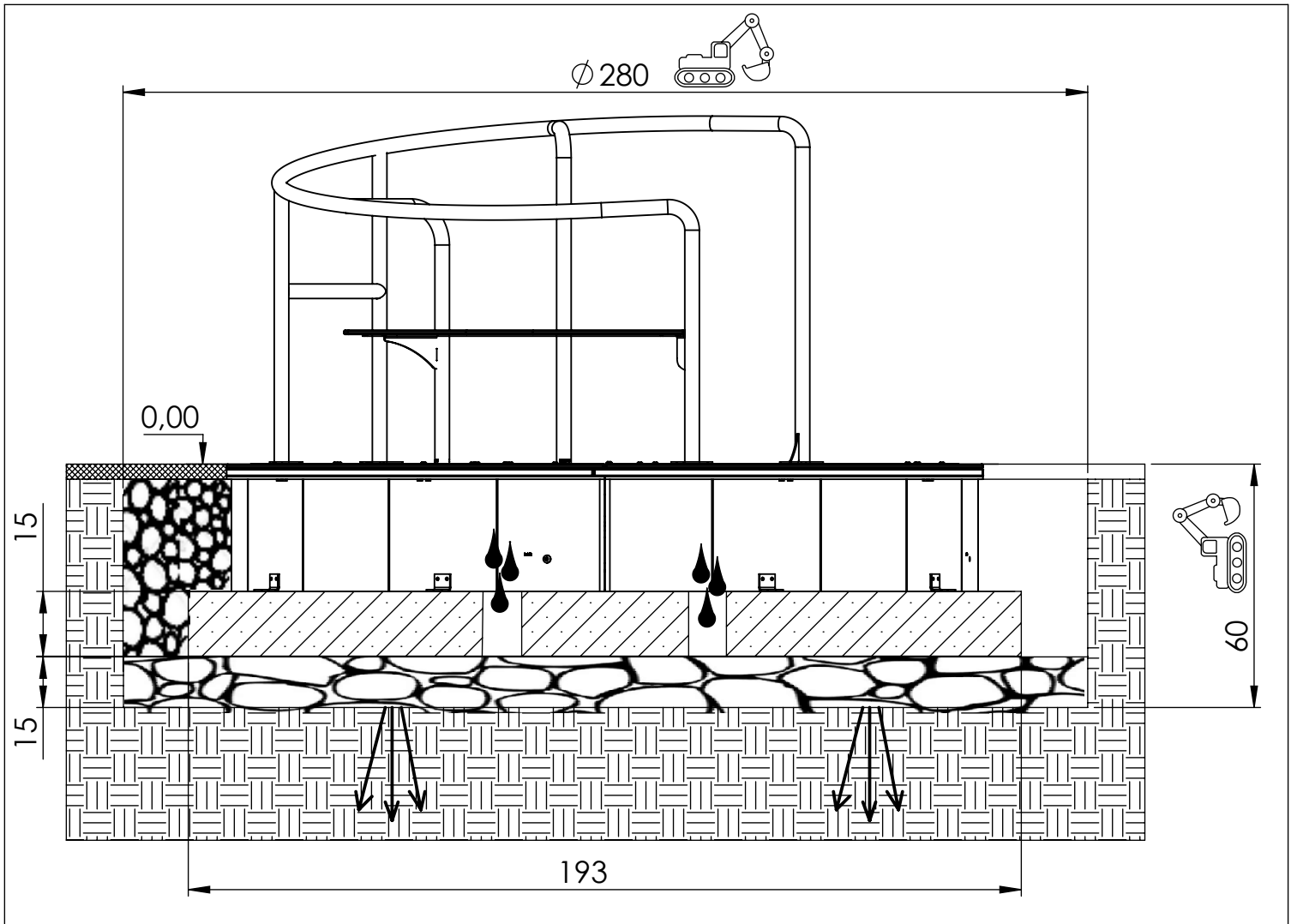
vinci  
play



[cm]



vinci  
play



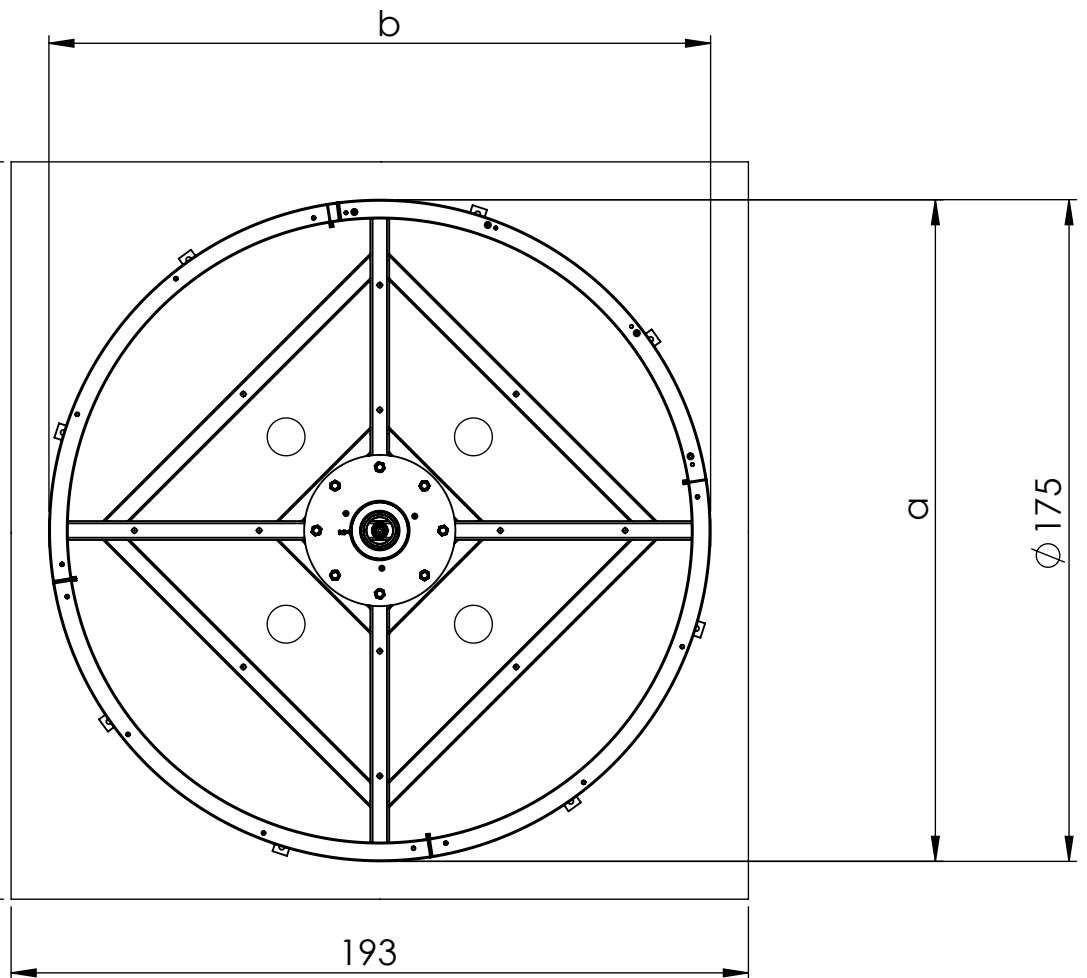
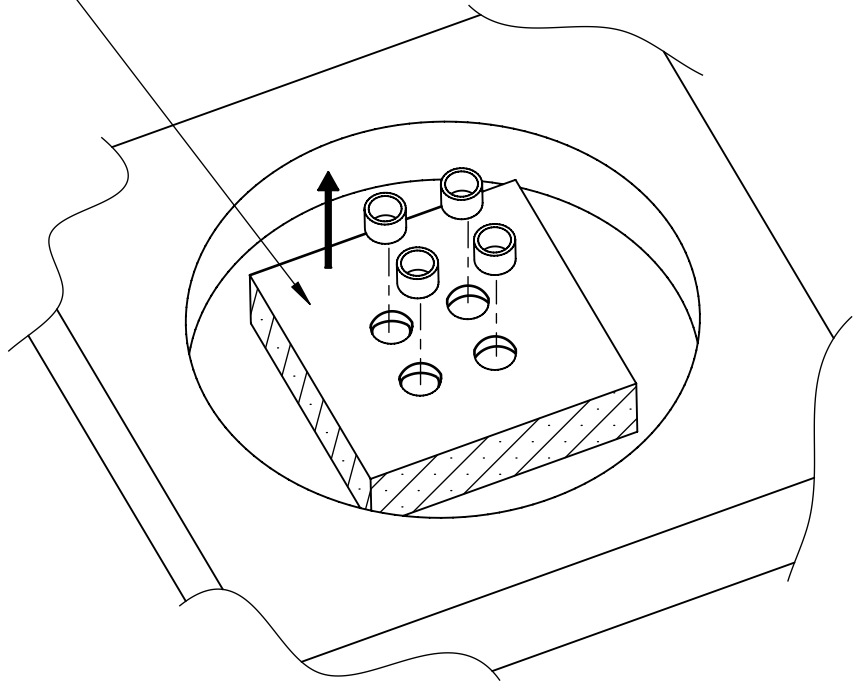
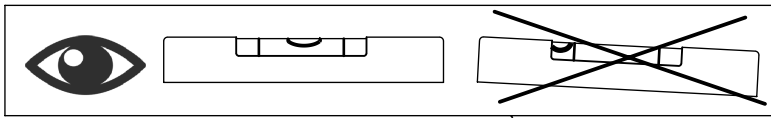
vinci  
play

[cm]



24h





193

193

a

Ø 175

[cm]

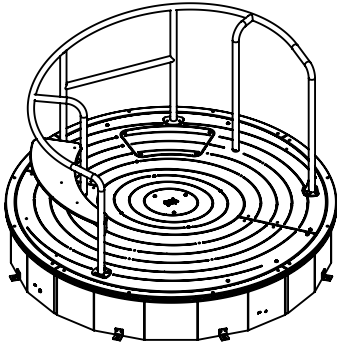


24h

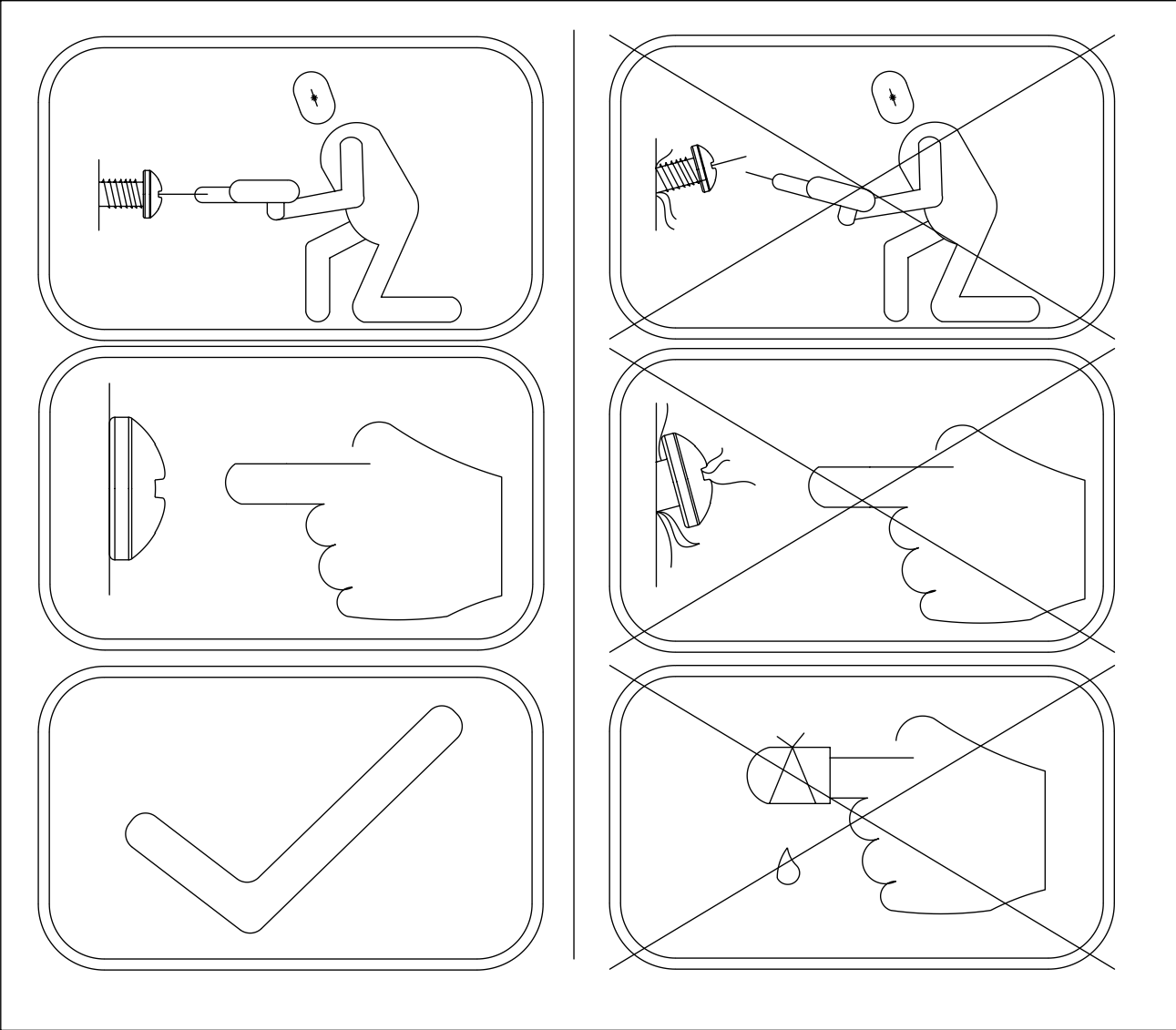


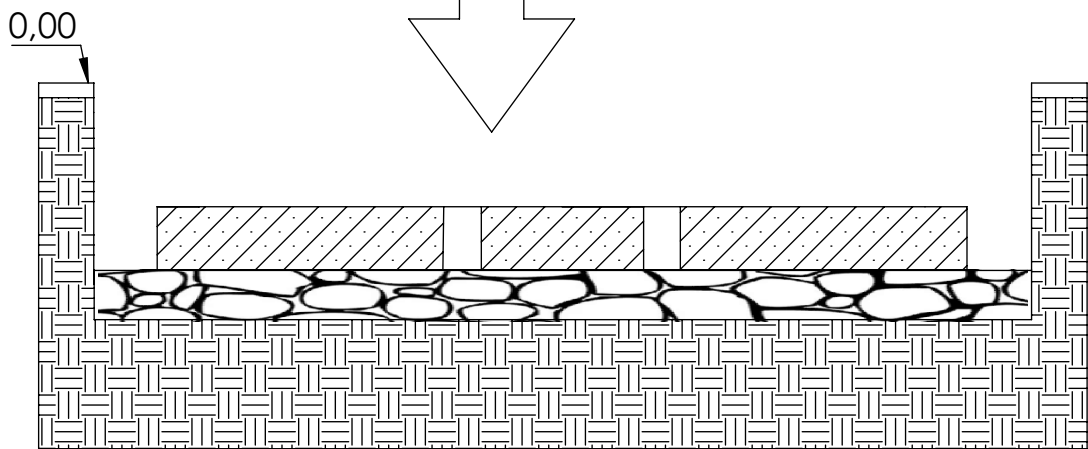
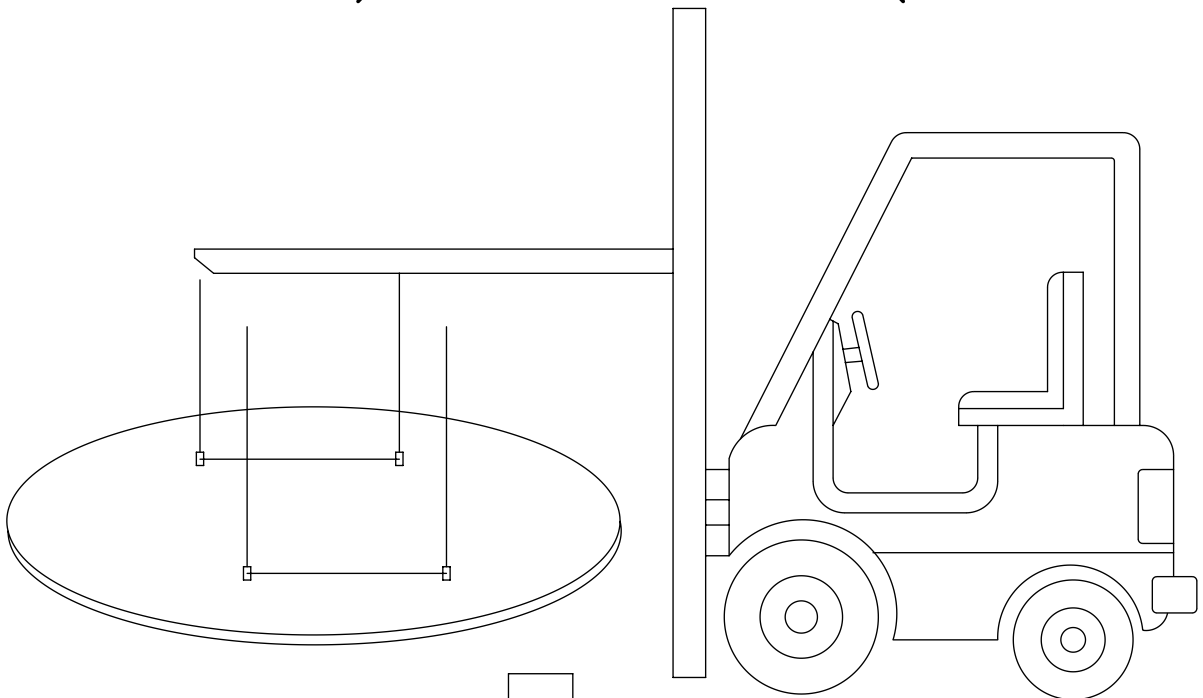
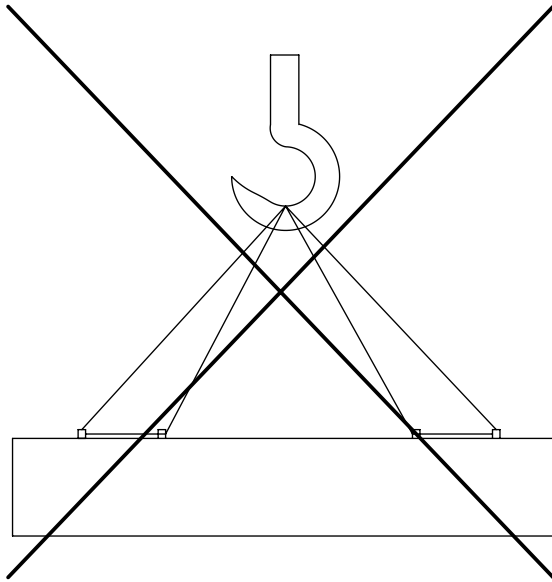
48h

vinci  
play



0726  
x1





[cm]



24h




48h





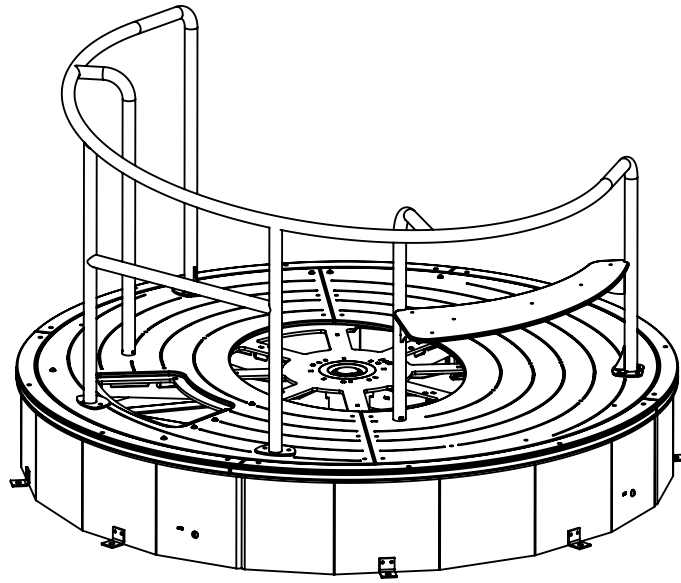
>0,60m<sup>2</sup>

vinci  
play



  
 M12x120  
 x20

  
**NOT INCLUDED**




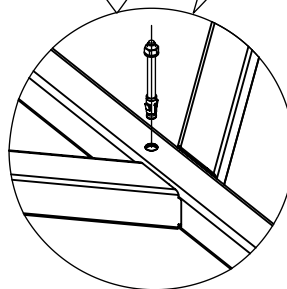
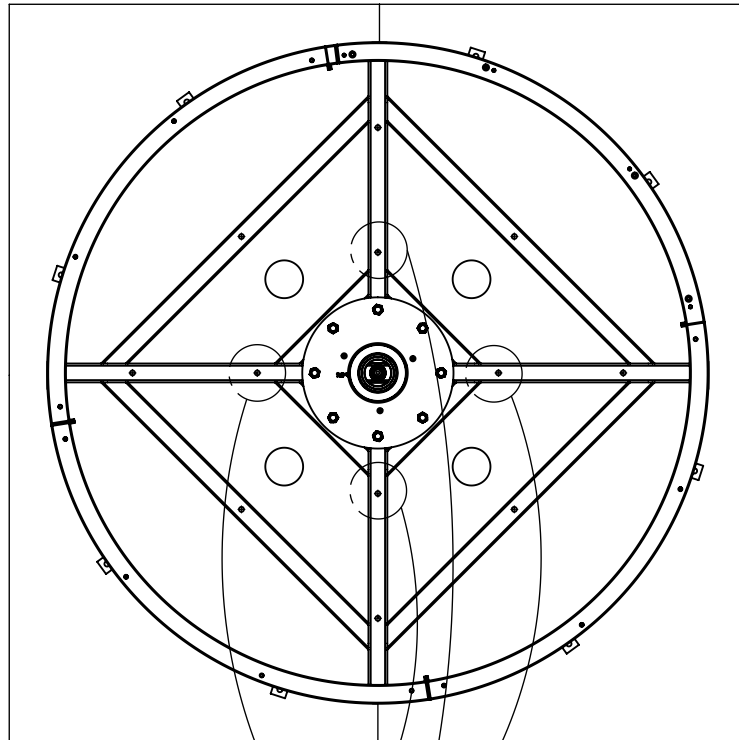
071130  
x1



071136  
x1



a=b



M12x120  
x4



x2

24h



[cm]

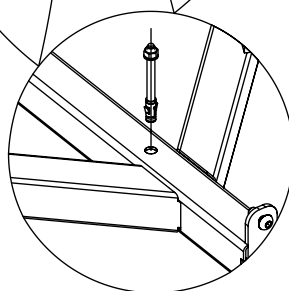
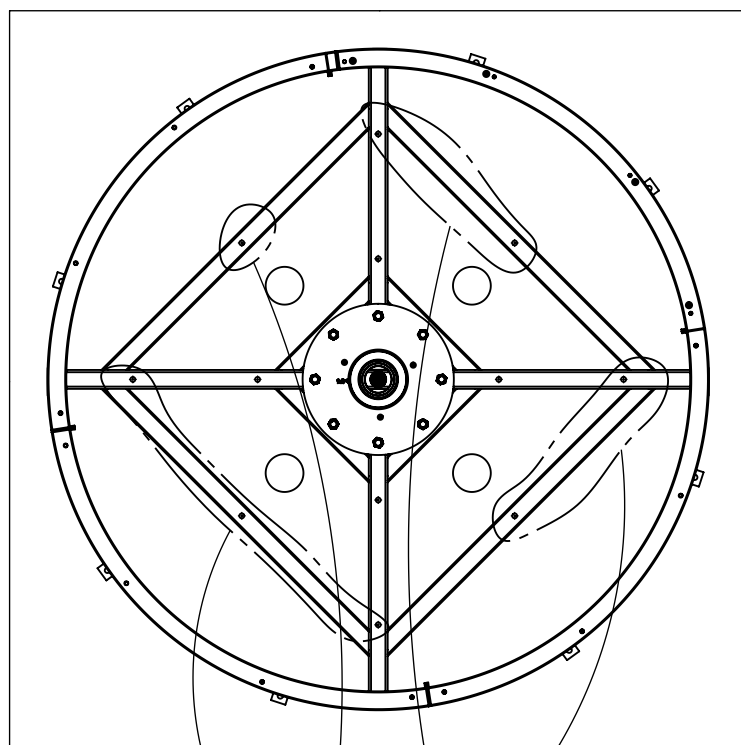
vinci  
play



a=b



Ø12



M12x120  
x8

[cm]



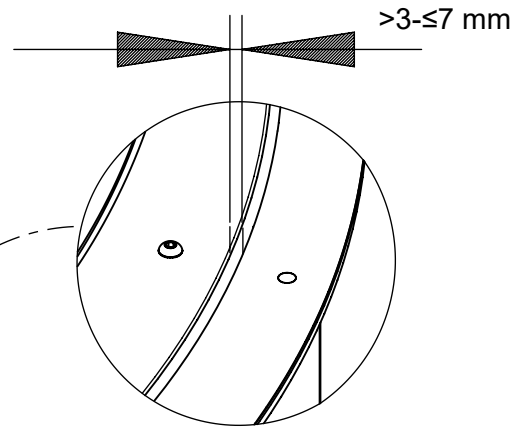
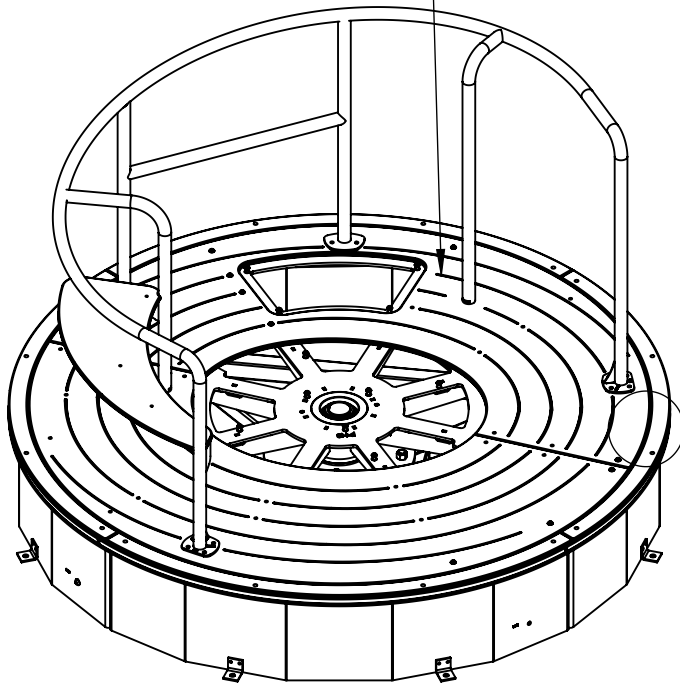
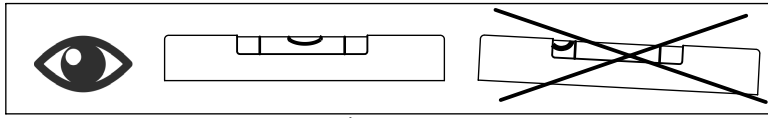
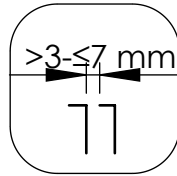
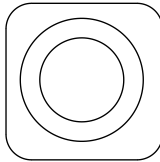
24h



vinci  
play



a=b



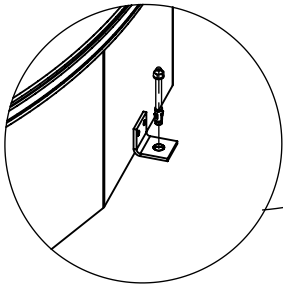
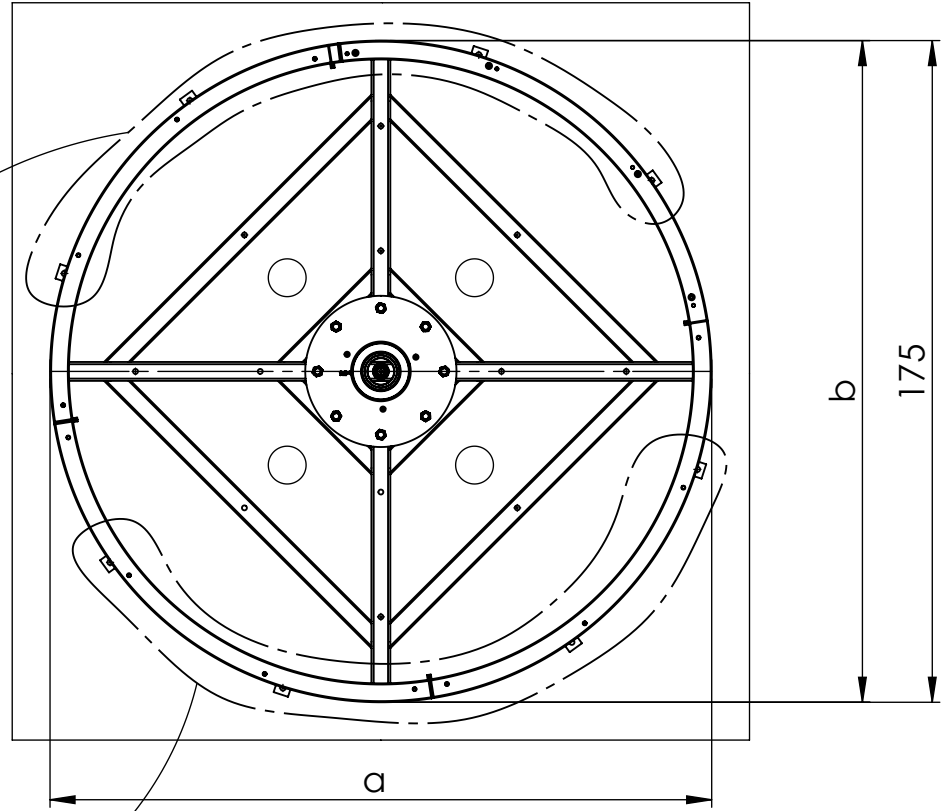
[cm]



24h



vinci  
play

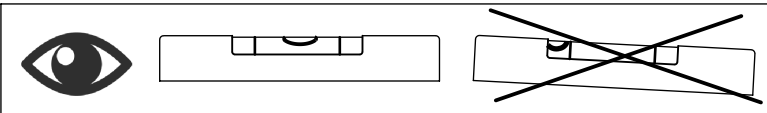


M12x120  
x8

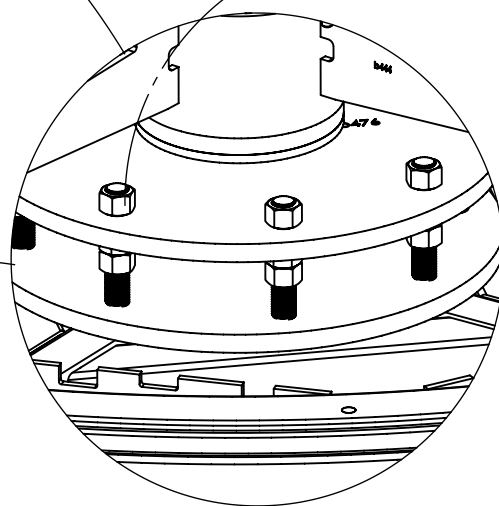
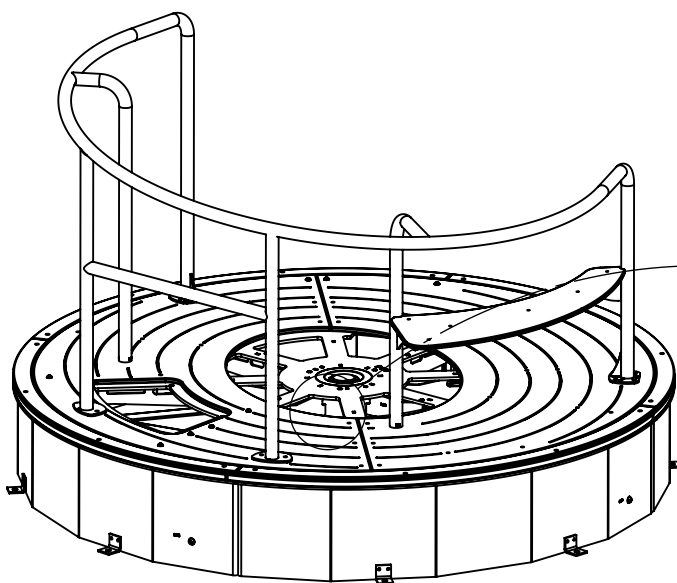
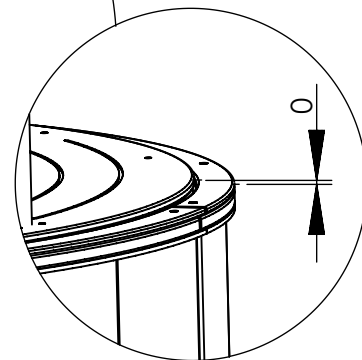
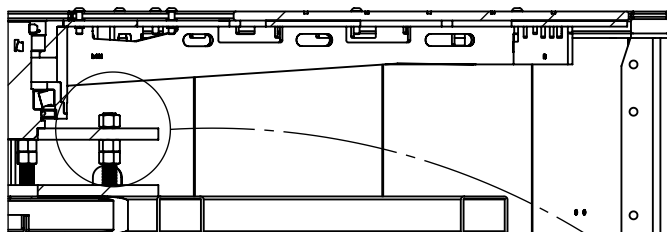
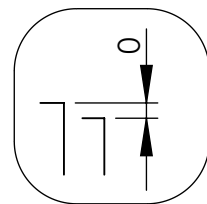
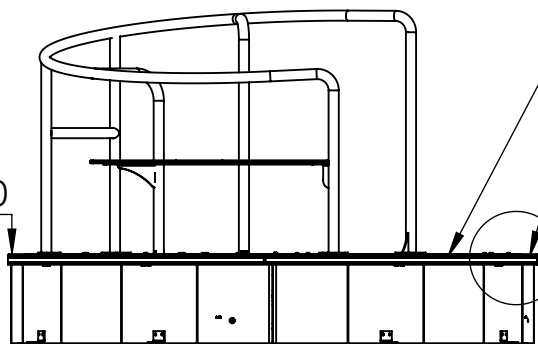
[cm]



vinci  
play



0,00



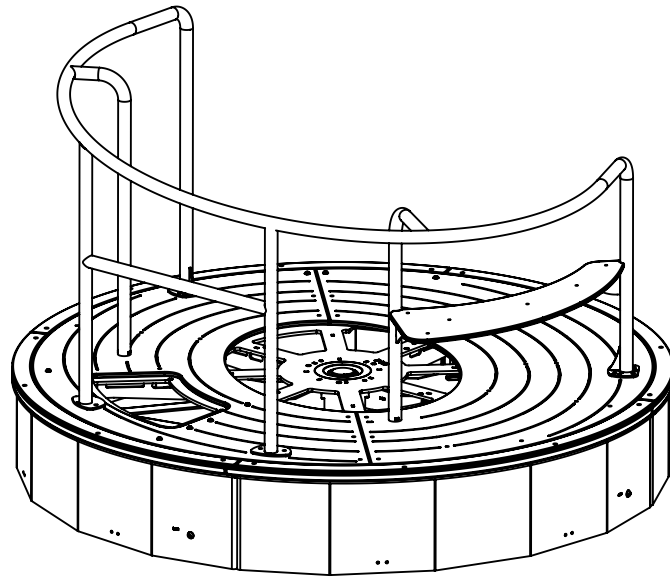
[cm]



24h



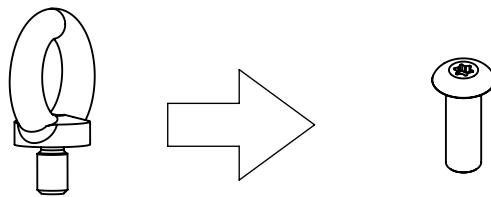
vinci play



071130  
x1



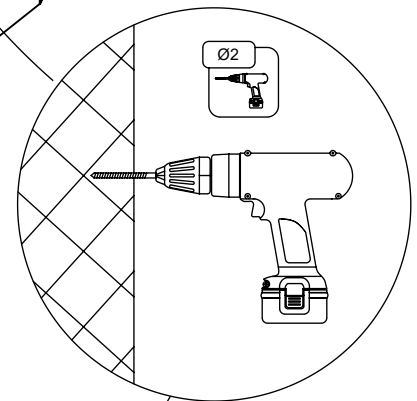
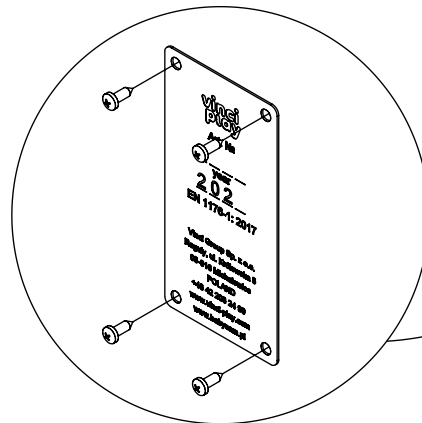
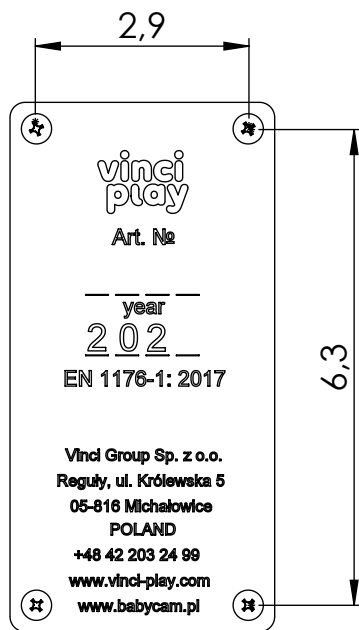
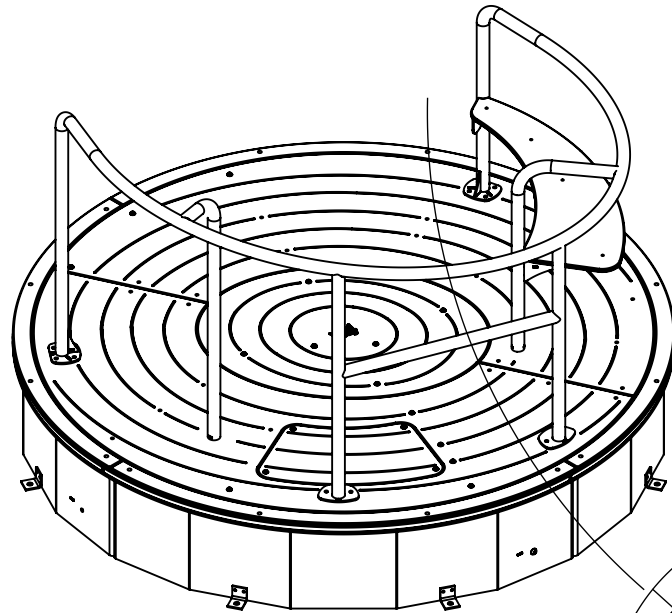
071136  
x1



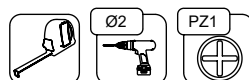
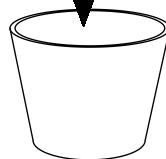
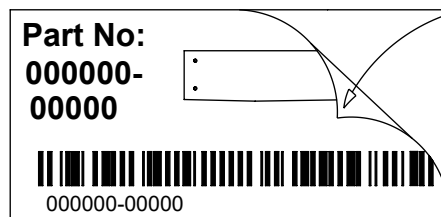
[cm]



vinci  
play



V001 x1



vinci  
play

[cm]

