

Product technical sheet

SOLO 0810



3 - 12 years



5 kids



16,5 m²

Material specification

- Hot-dip galvanized and powder coated or powder galvanized and powder coated steel construction,
- Platforms made of durable anti-slip and waterproof plywood or HPL plate,
- Roofs and side panels made of recycled HDPE boards, resistant to weather conditions.
- Elements made from recycled HDPE plates, resistant to weather conditions,
- Double wall tube passage made of polypropylene,
- Screws covered with plastic caps and/or stainless steel screws,



Physical development



hiding



crawling





1
number of roofs



1
number of activity elements

Product technical sheet

SOLO 0810

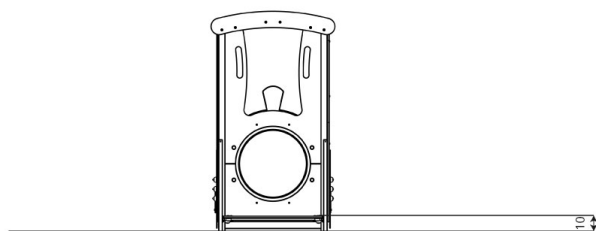
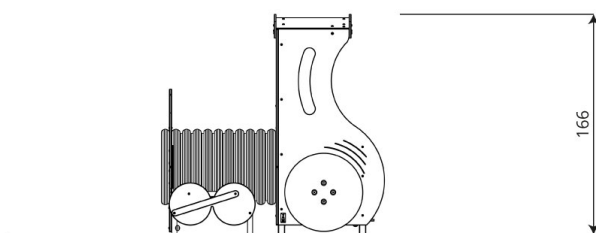
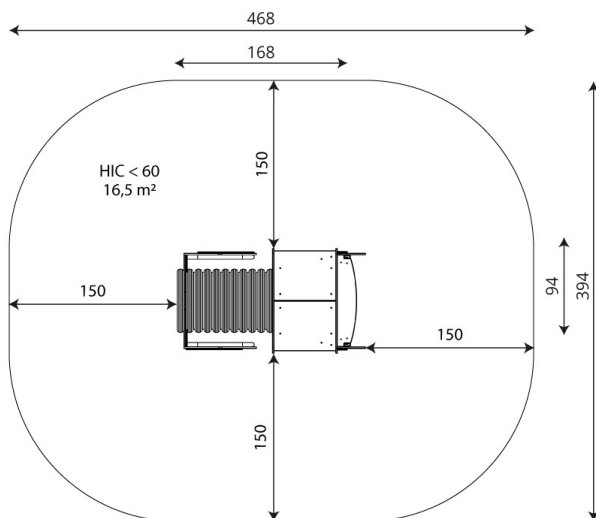
Product data

Length	168 cm
Width	94 cm
Total height	166 cm
Age group	3 - 12 years
Number of users	5 kids
Safety zone	16,5 m ²
Free fall height	<60 cm
The height of the platforms	10 cm
In accordance with norm EN	1176-1:2017
Weight of the heaviest part	36 kg
Dimensions of the largest part	215x82x78 cm
Availability of spare parts	YES
Installation time	4 h
Color options	

Data is subject to change without prior notice.

Additional information

- equipment intended for public playgrounds;
- equipment has a certificate issued by an accredited entity or a declaration of conformity;
- no sharp edges or chinks that would pose a danger of jimmieing the head, fingers or any other body parts;
- anchoring on flat surface, 80/70/60 cm deep;
- render is for reference only, the actual appearance of the equipment and its color may vary;



Guarantee

30

30 year guarantee - Structural strength of steel and stainless steel components

15

15 year guarantee - Structural failure of steel and stainless steel, for dynamic equipment

10

10 year guarantee - Structural failure of high density polyethylene and high pressure laminates components

5

5 year guarantee - Corrosion of stainless steel and hot dip galvanized and powder coated components; against bark beetles and rot in case of wooden structural elements

Detailed information in the guarantee card



SOLO 0810

Surfaces according to EN 1176-1:2017

	Description (mm)	Layer thickness (cm)	Maximum fall heights (cm)
Turf/ top layer of soil (A,B,C)	-	-	≤100
bark (A,C)	Particle size from 20 to 80	30	≤200
		40	≤300
woodchips (A,C)	Particle size from 5 to 30	30	≤200
		40	≤300
sand or gravel (A,C)	Particle size from 0,25 to 8	30	≤200
		40	≤300
synthetic attested (A,B,C)	Tested according to EN 1177		60

Amount of safe surface corresponding with free fall height:

HIC <60 16,5 m²

Data is subject to change without prior notice.

