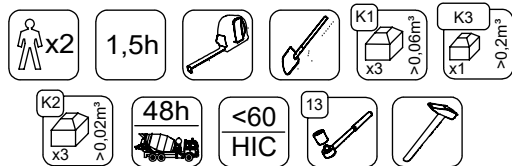
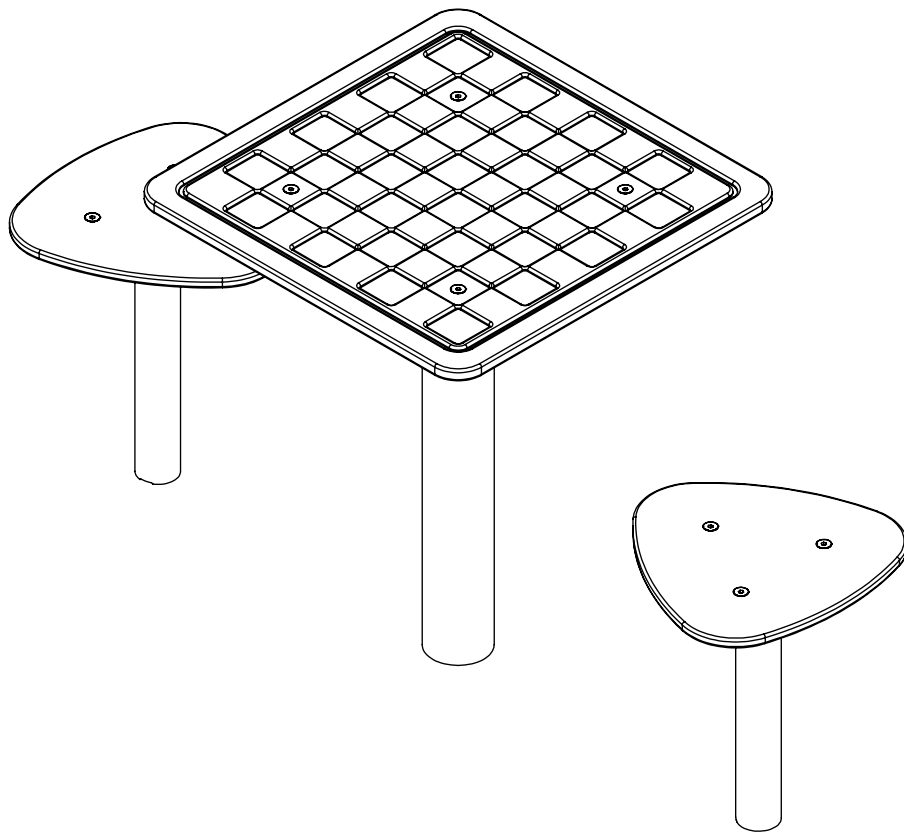
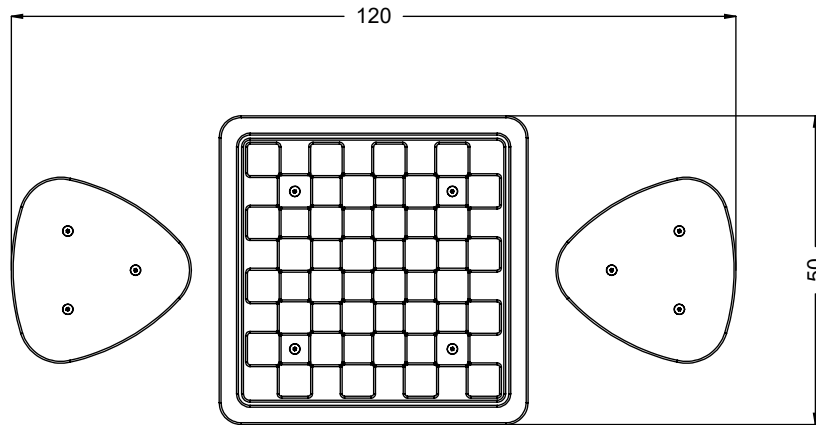
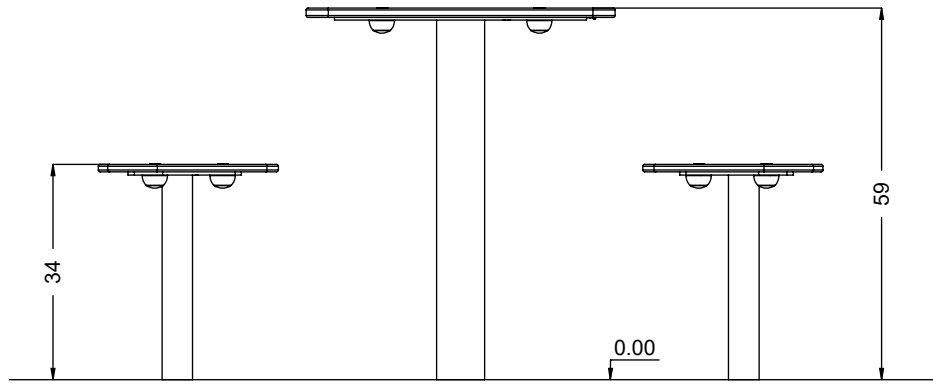


# 0817



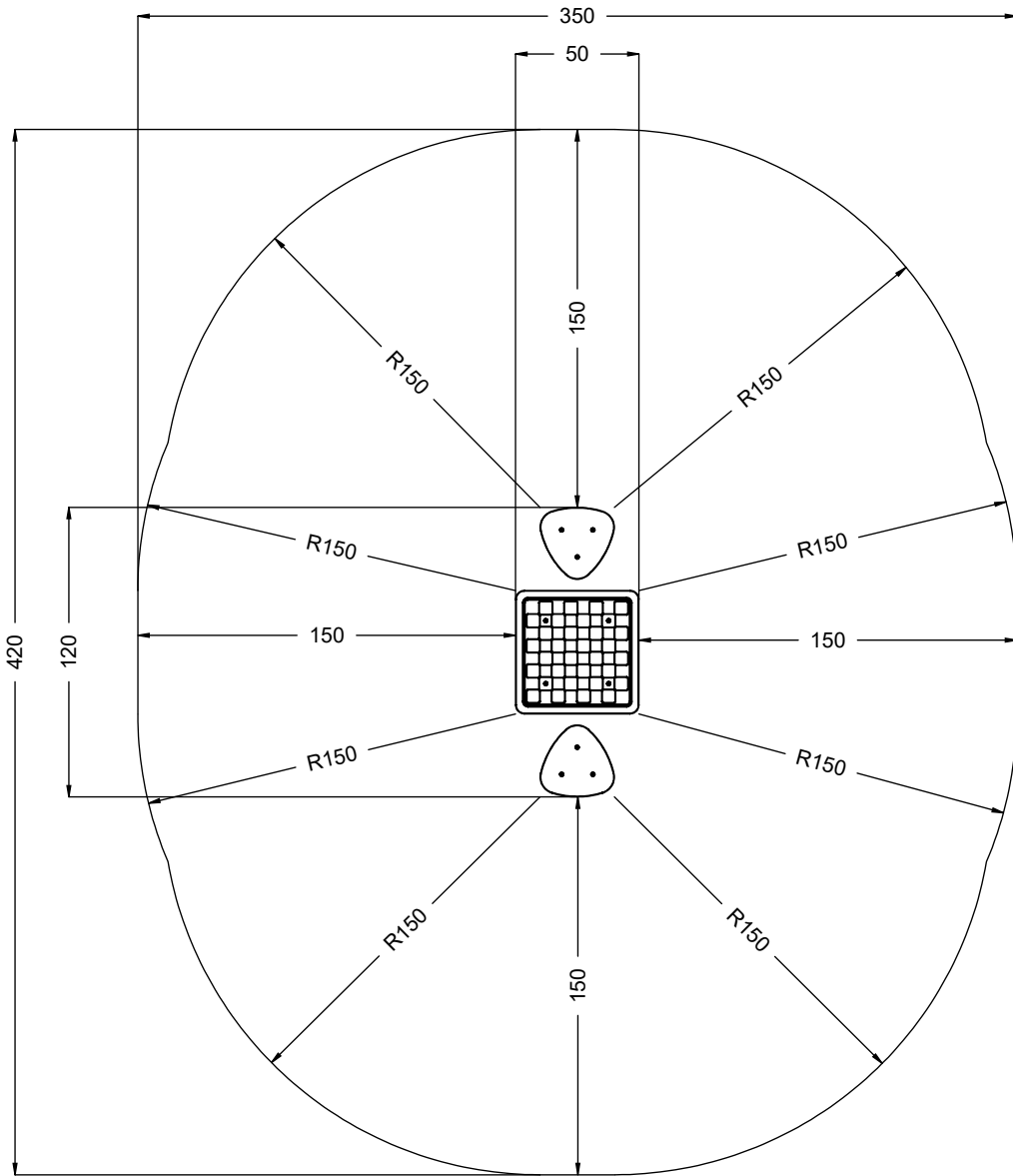
v011  
29.06.2022  
A. W.  
[cm]

vinci  
play



[cm]

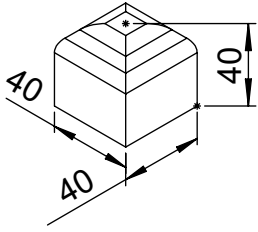
vinci  
play



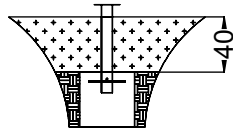
[cm]



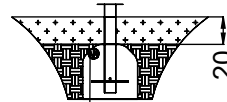
vinci  
play



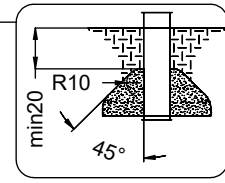
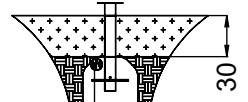
A.



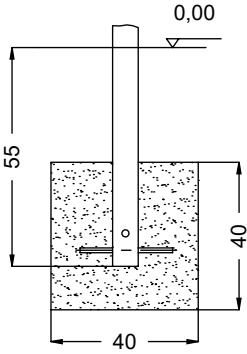
B.



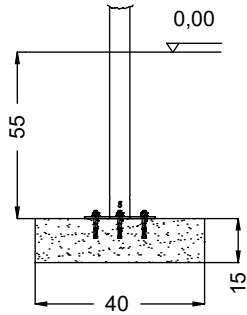
C.



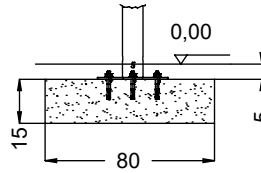
K1






K2

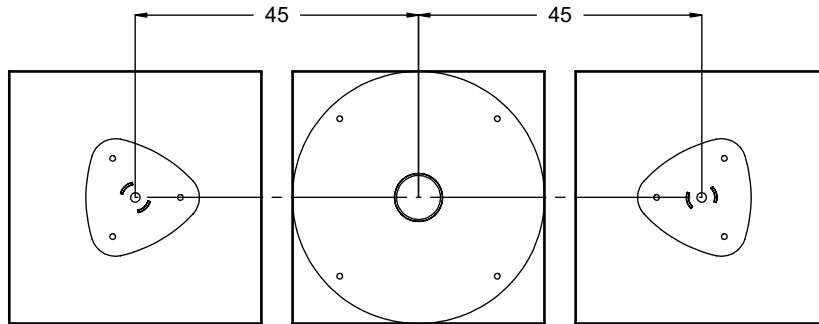


K3

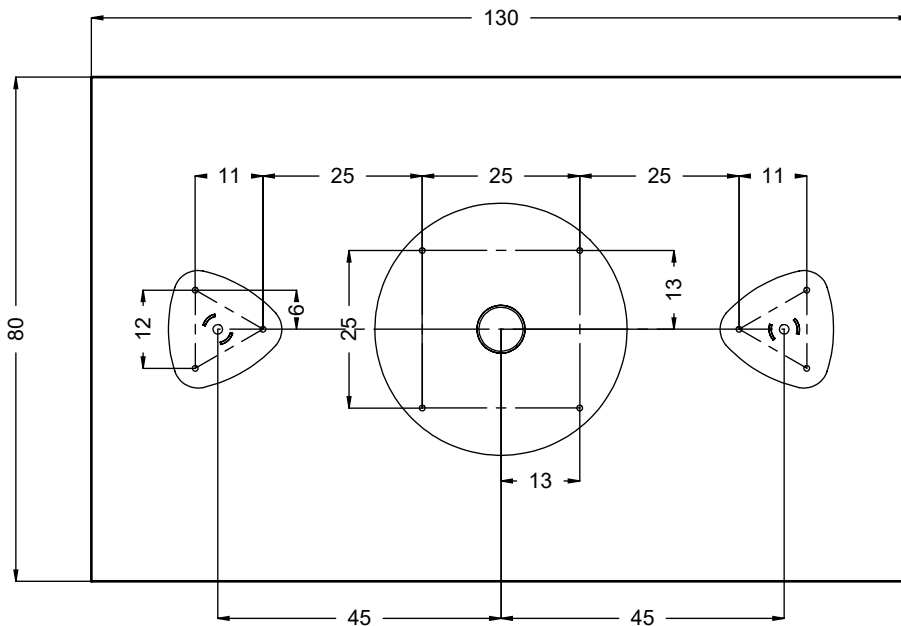


	K2, K3
M10x120 x10	
<b>NOT INCLUDED</b>	

(K1) (K2)



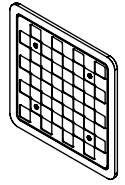
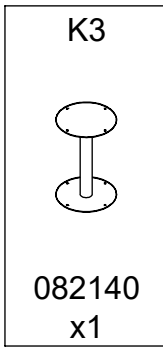
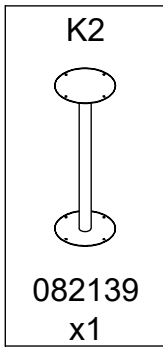
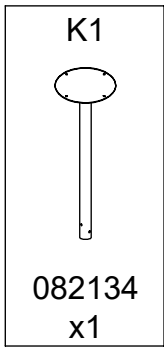
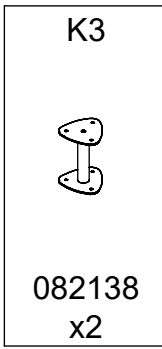
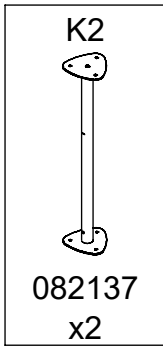
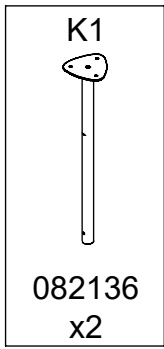
(K3)



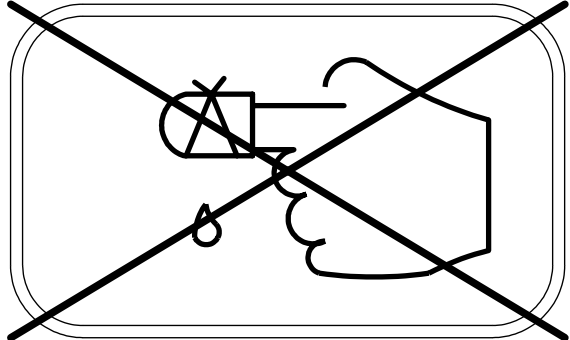
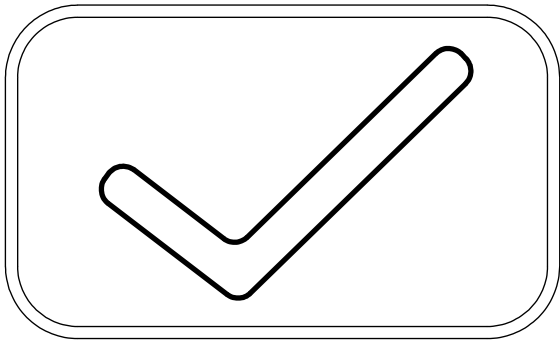
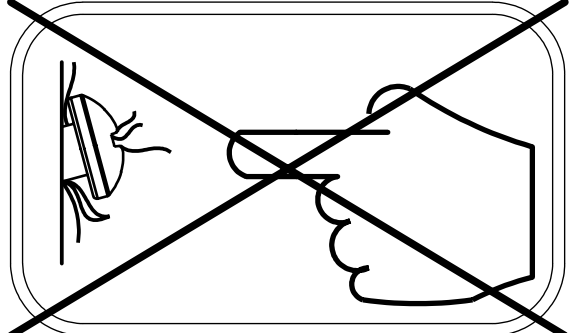
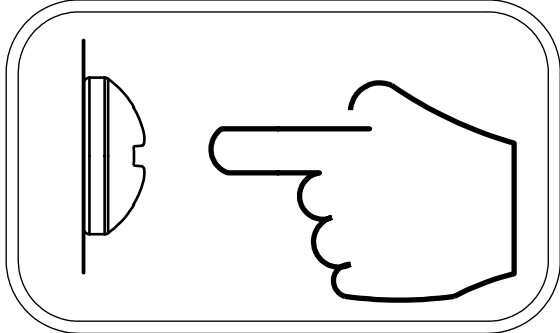
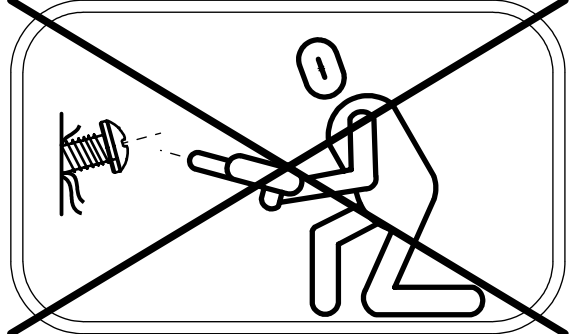
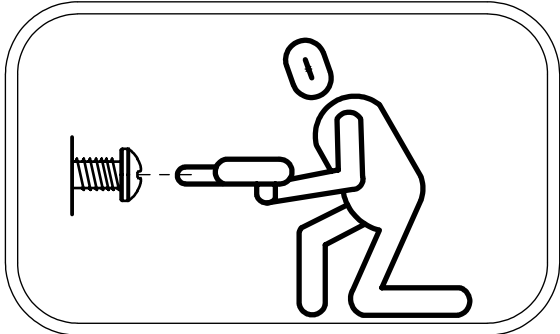
[cm]

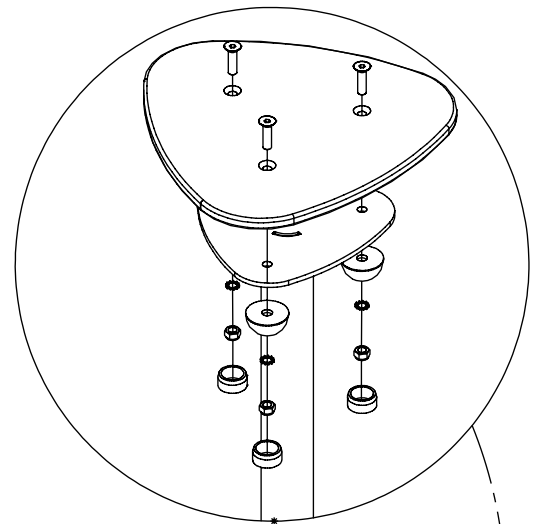
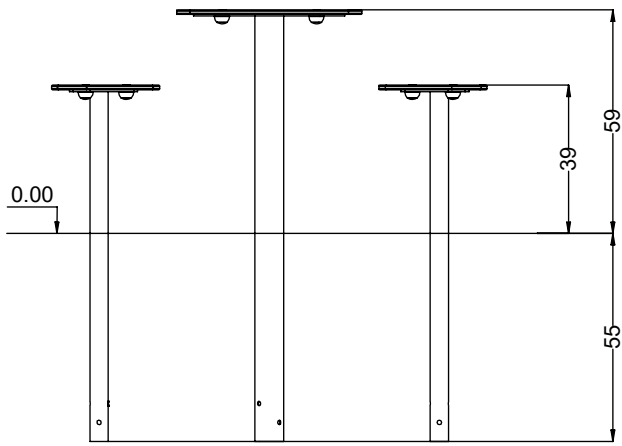
 x2	1,5h			48h	 K1 x3 >0,06m³	 K3 x1 >0,2m³	 K2 x3 >0,02m³
--	------	---	---	-----	--	--	--

vinci  
play

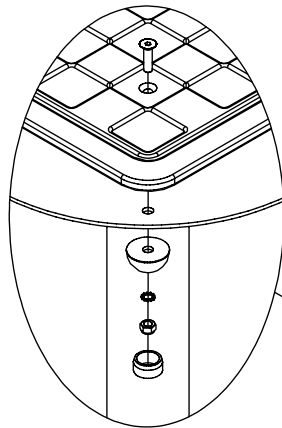


		HDPE		HPL	
1x	V001	1x	CE44	1x	CE44
		2x	CE47	2x	CL47

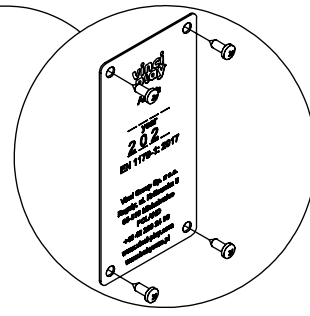
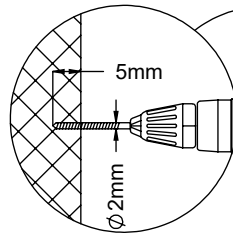
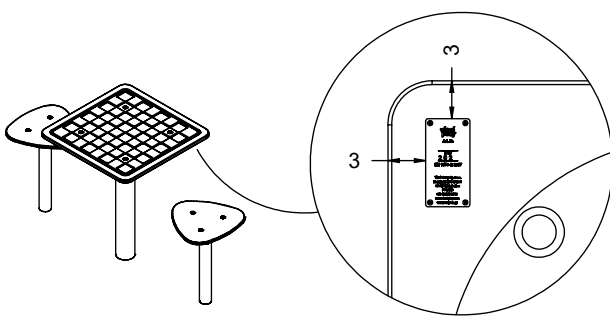
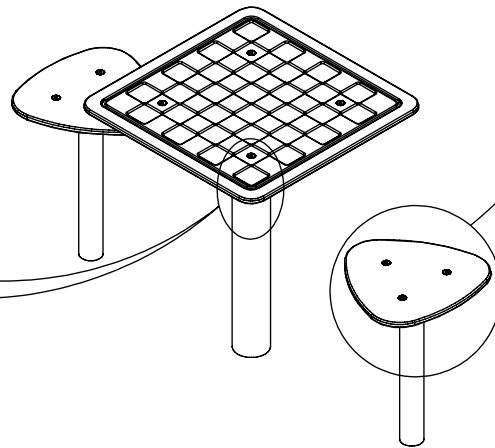




CE44  CL47



CE44



V001



[cm]



vinci  
play