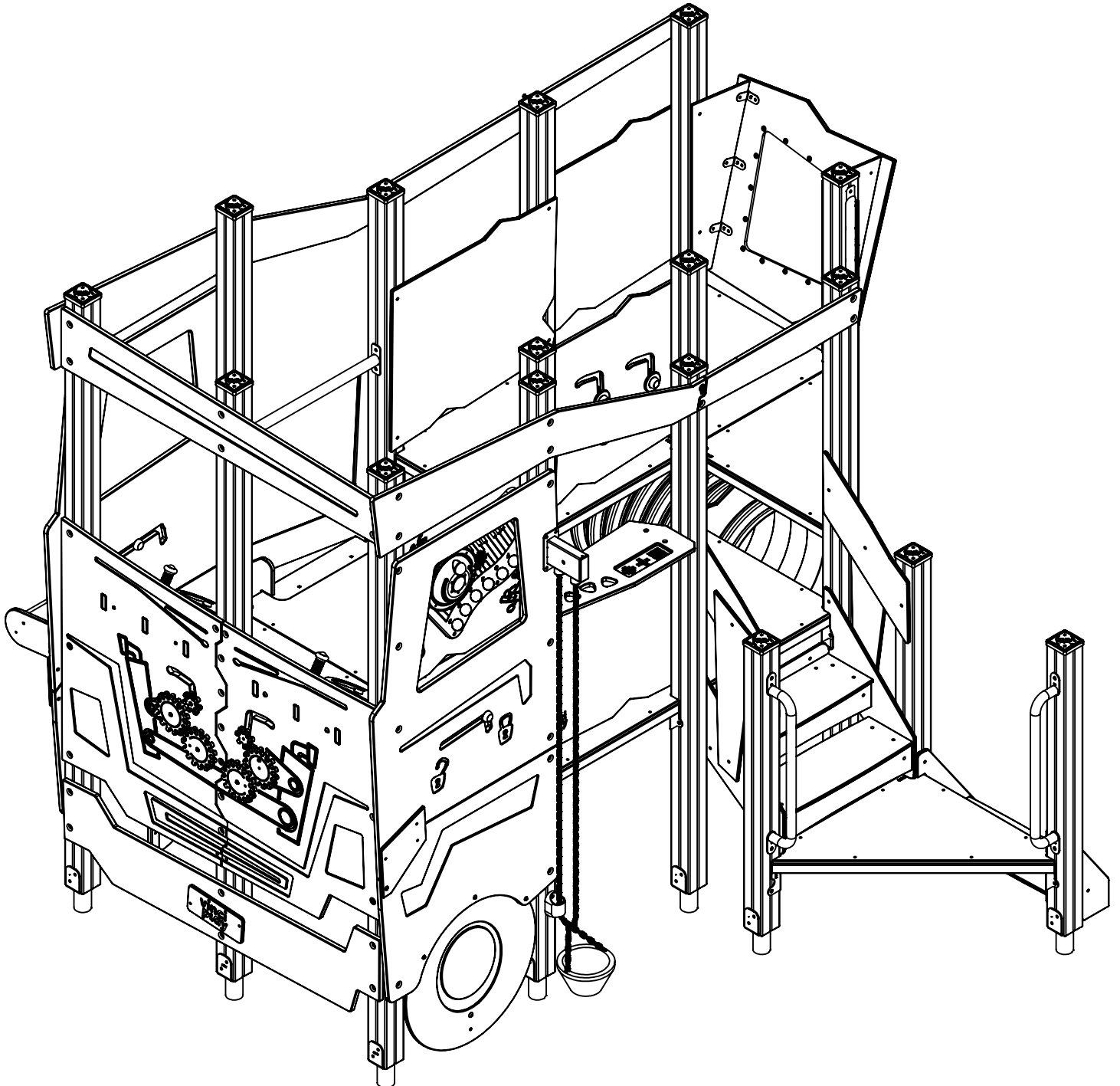


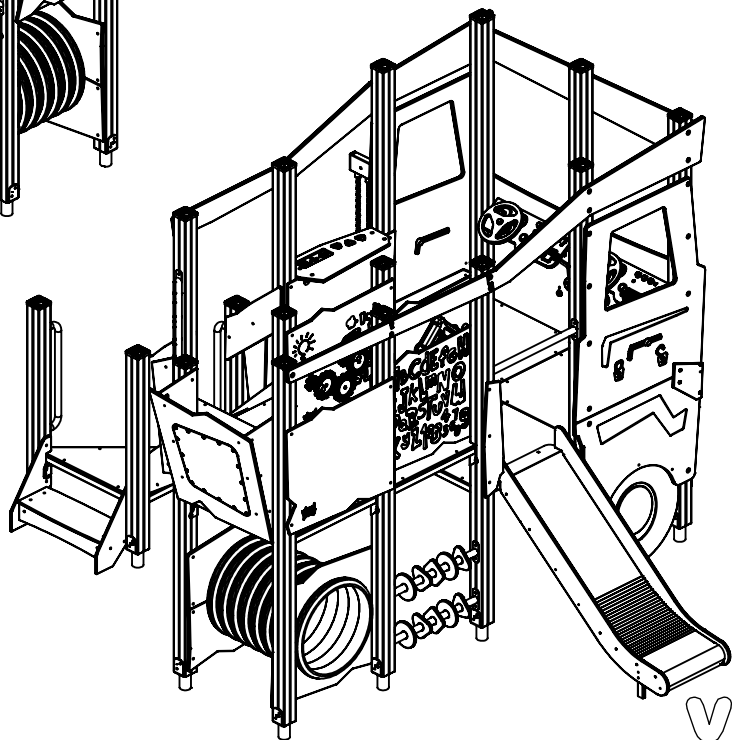
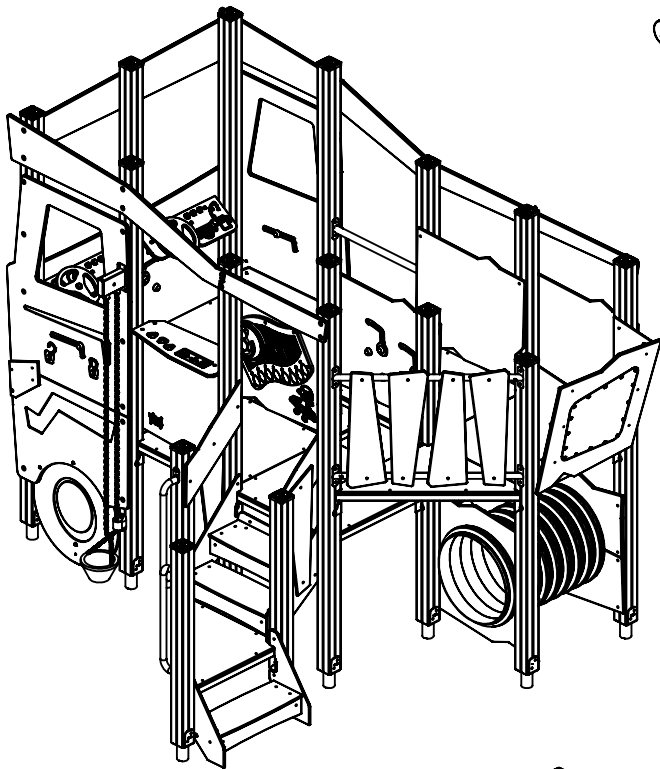
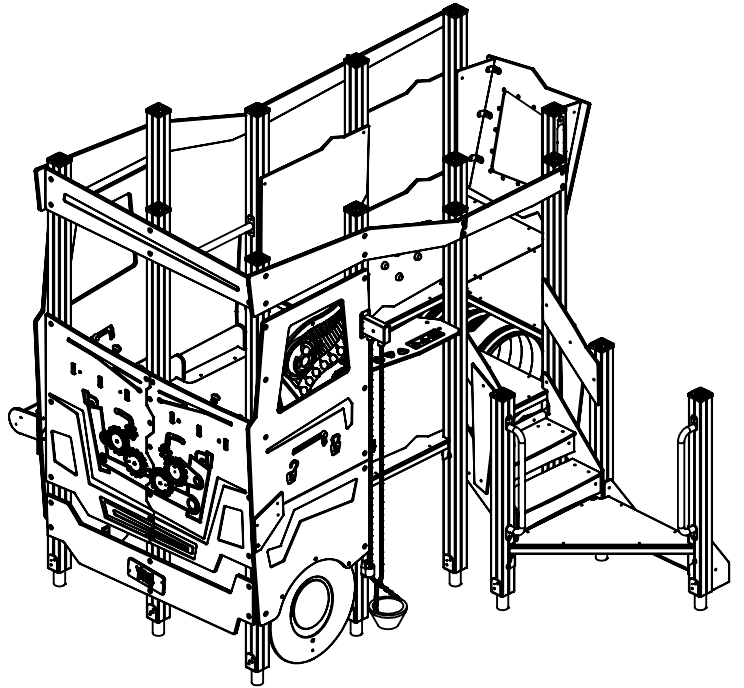
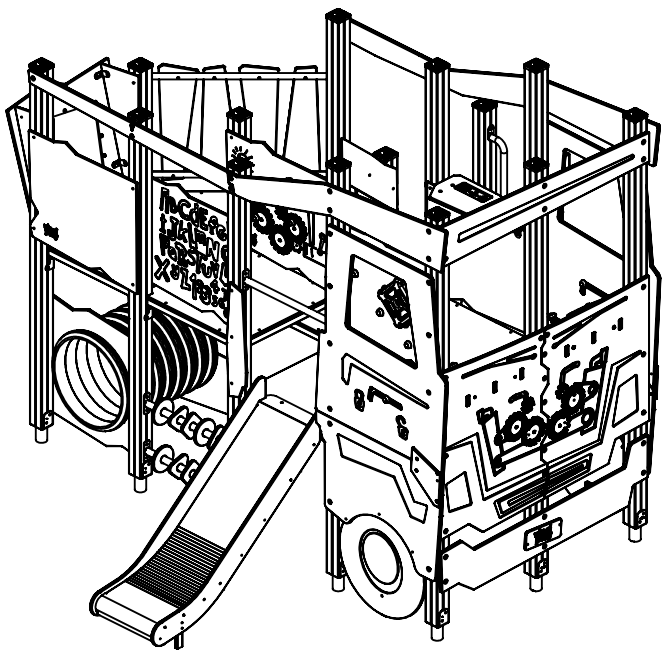
WD/RC 1550

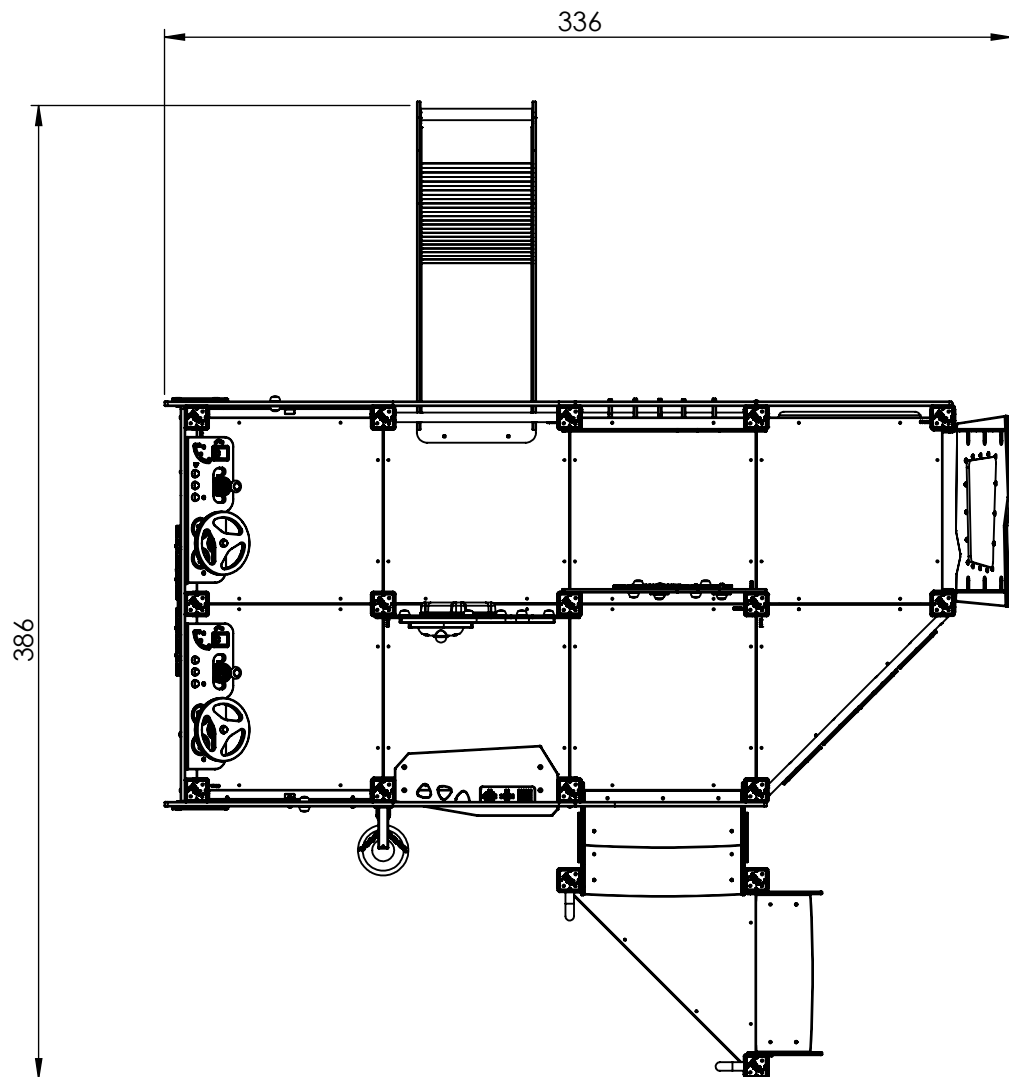
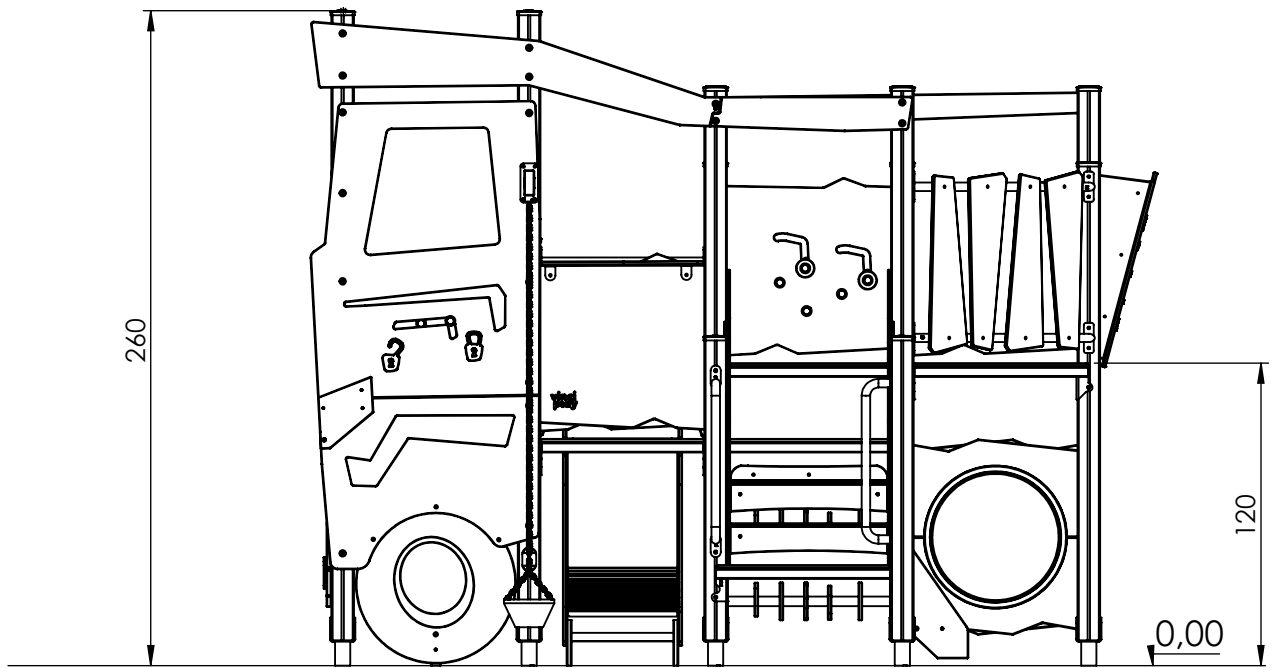


v018
18.12.2023
M.L.
[cm]

							x21 >0.06m³	x21 >0.05m³	x21 >0.10m³

vinci
play





[cm]



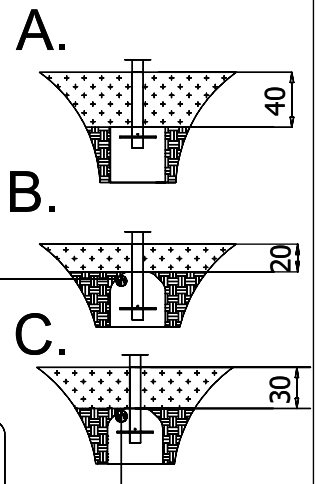
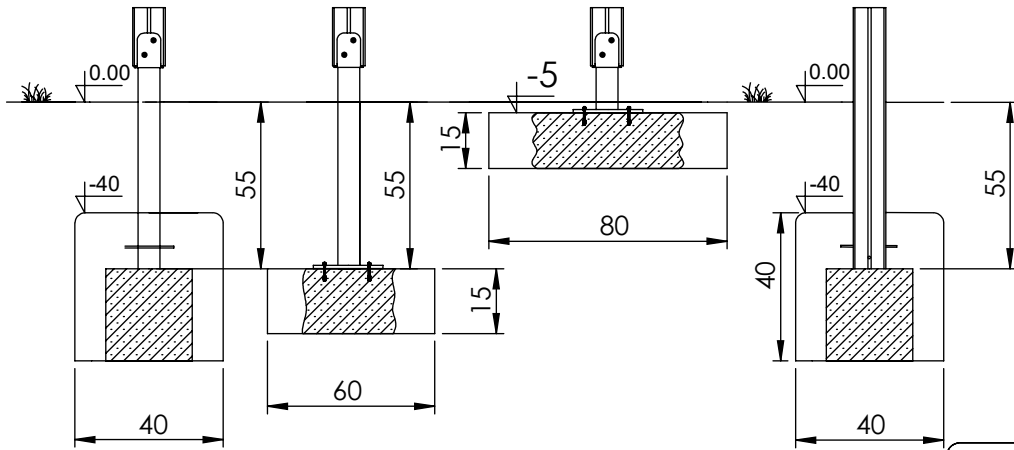
vinci
play

K1-(W)

K2

K3

K1-(R)



K1

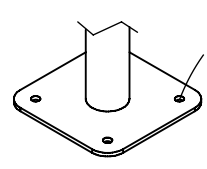
x21 0,06 m³

K2

x21 0,05 m³

K3

x21 0,10 m³

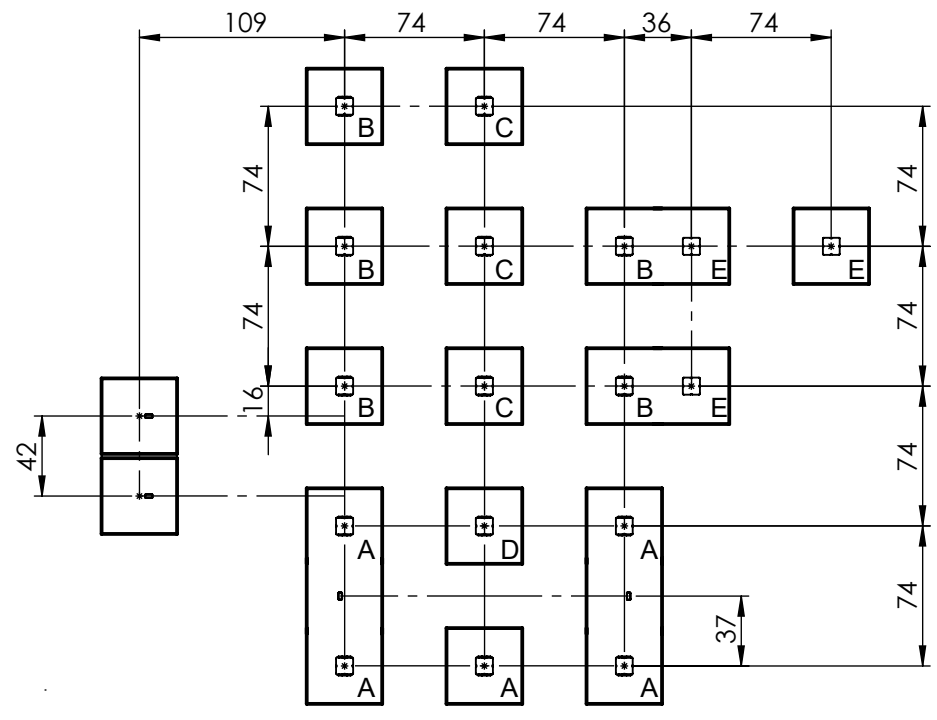


68x M10x120 (K2)
70x M10x120 (K3)

NOT INCLUDED

2x M8x120 (K2)

NOT INCLUDED



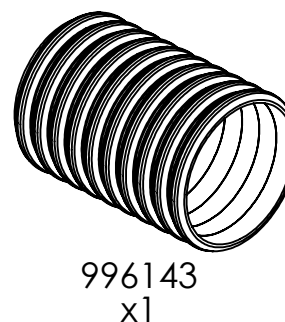
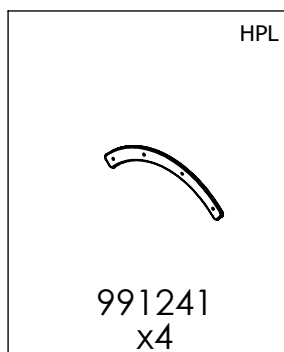
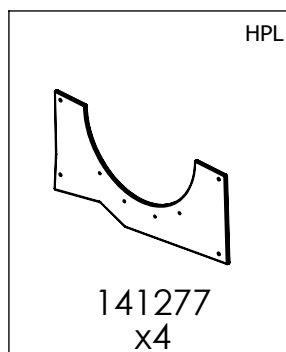
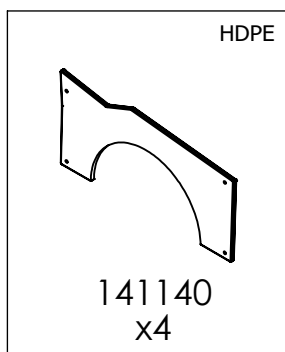
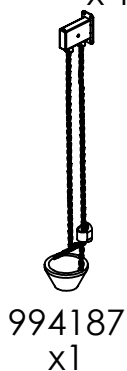
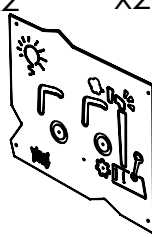
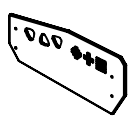
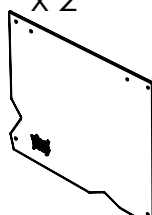
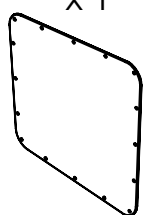
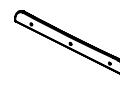
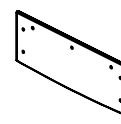
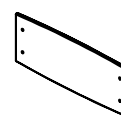
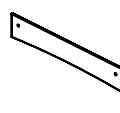
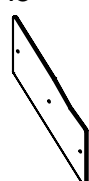
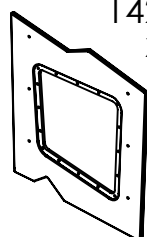
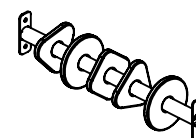
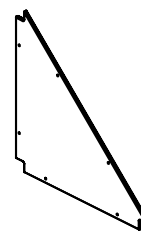
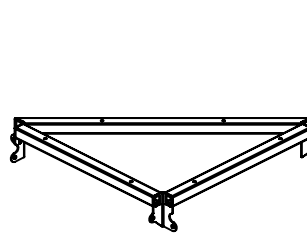
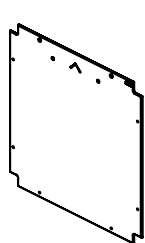
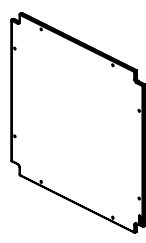
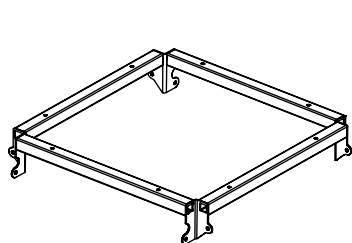
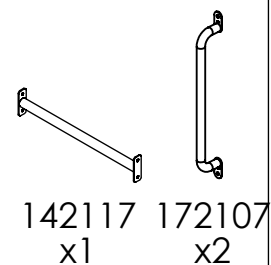
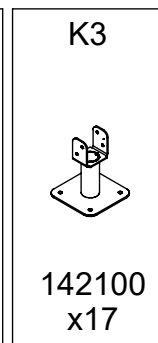
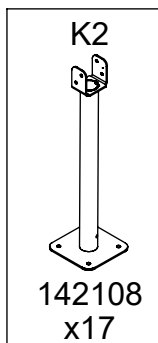
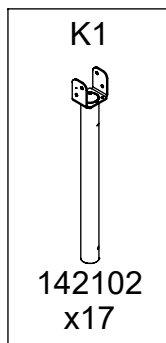
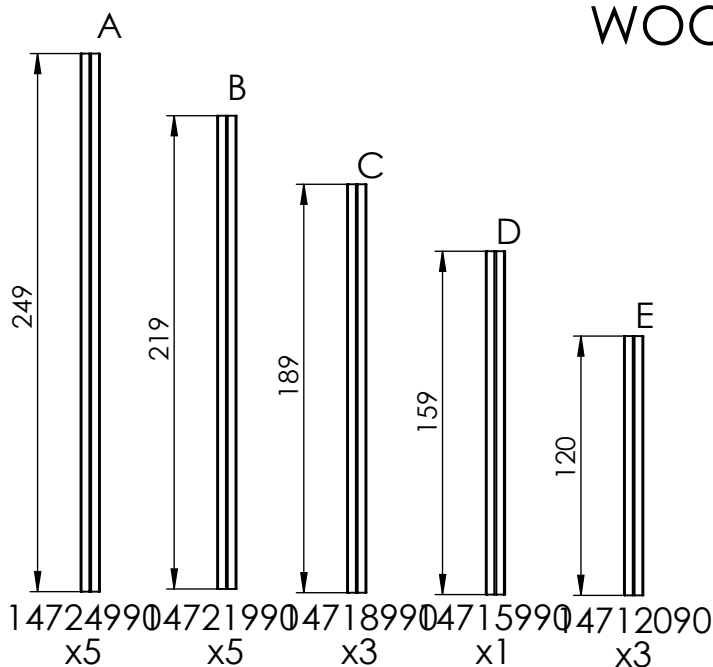
[cm]

x2
 9,5h

 48h
 K1 x21 >0,06m³
 K2 x21 >0,05m³
 K3 x21 >0,10m³

vinci play

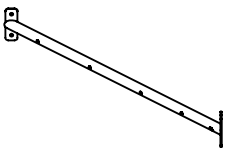
WOOD - (W)



WOOD - (W)



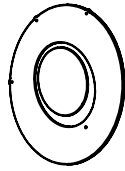
141133
x1



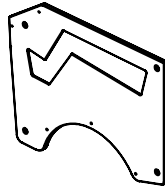
142103
x2



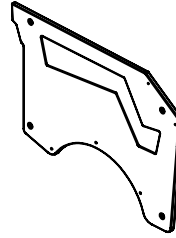
141142
x4



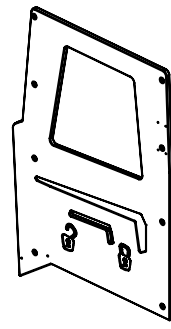
141336
x2



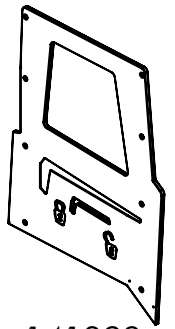
141331
x1



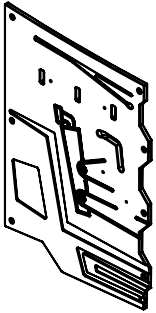
141329
x1



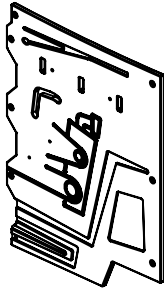
141330
x1



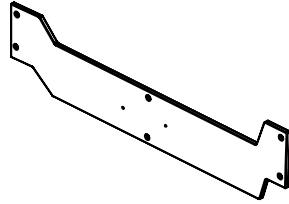
141328
x1



141350
x1



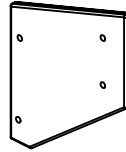
141338
x1



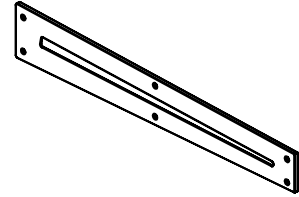
141337
x1



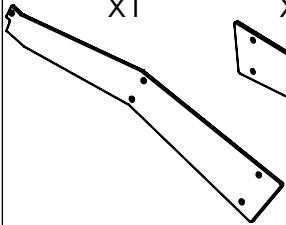
081150
x1



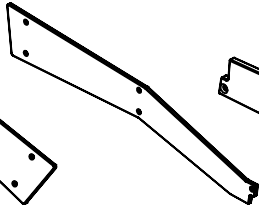
141340
x2



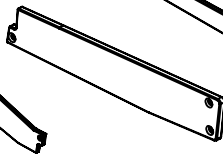
141332
x1



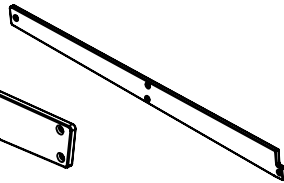
141362
x1



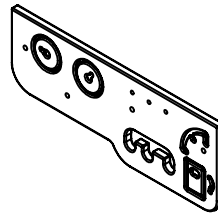
141333
x1



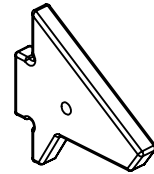
141335
x1



141334
x1



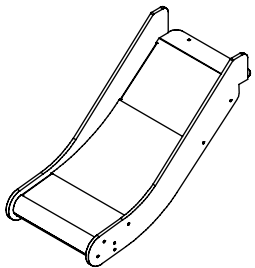
141176
x2



141174
x6



141173
x2



994103
x1

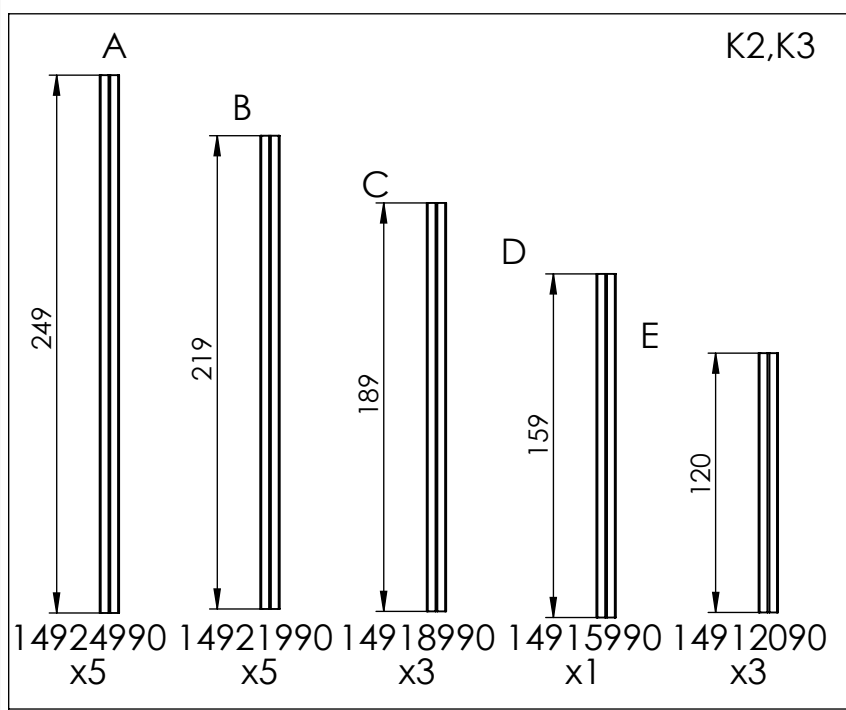
<p>S6</p> <p>141103 x1</p>	<p>S6</p> <p>171233 x1</p>	<p>S6</p> <p>994150 x1</p>
--------------------------------	--------------------------------	--------------------------------

<p>K1, K2</p> <p>P78 x4</p>

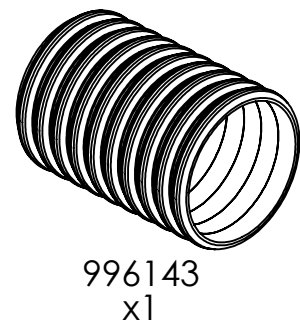
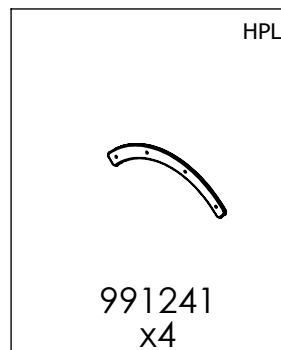
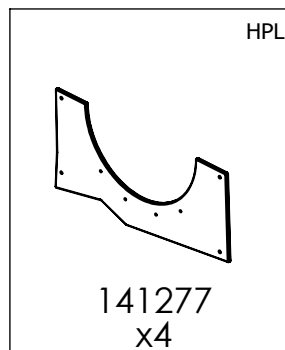
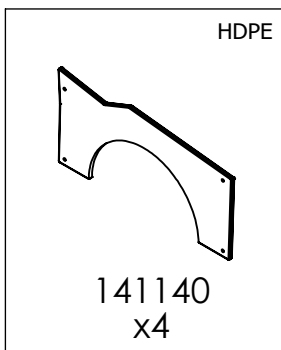
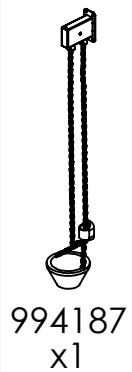
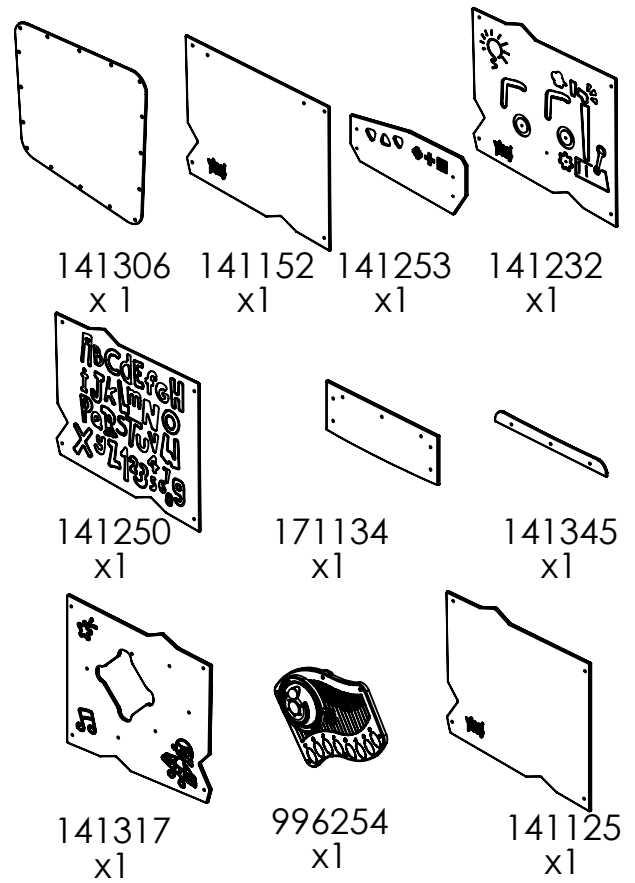
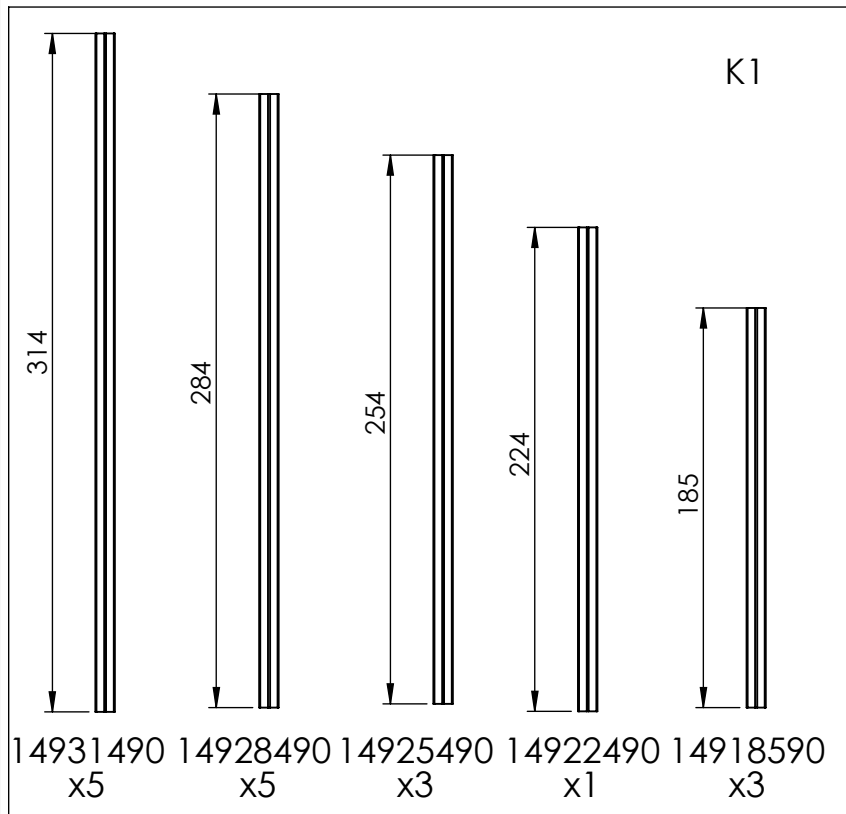
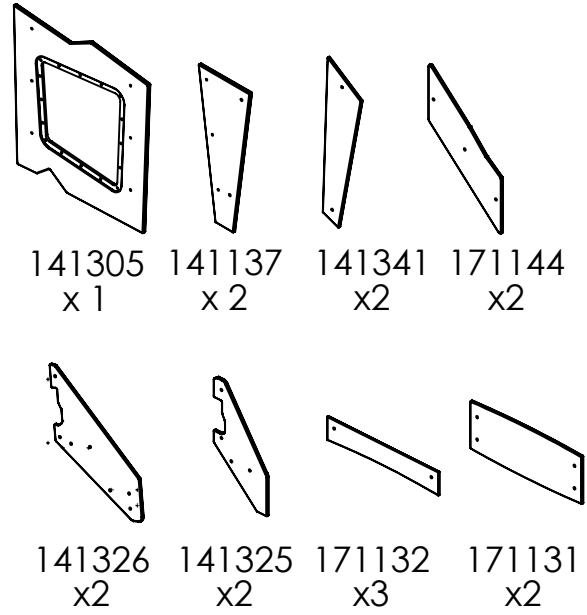
<p>K3</p> <p>b219-2 x4</p>

WOOD - (W)

		PLYWOOD / HDPE		HPL	
292x	8x50 sxi	1x	WD28 _(S1)	1x	WD29 _(S1)
2x	6x50 sxs	1x	WD113 _(S6)	1x	WD114 _(S6)
1x	E34 _(K1,K3)	3x	WD74	3x	WD75
1x	E35 _(K2)	6x	WD76	6x	WD77
17x	WD1	1x	WD132	1x	WD133
2x	WD105	1x	WE128	1x	WL128
3x	WD97	1x	WD106	1x	WD107
2x	WD100	1x	WD108	1x	WD109
1x	WD103	2x	WD177	2x	WD178
1x	WD91	2x	WD174	2x	WD173
1x	WD2	1x	WD175	1x	WD176
2x	WD184	2x	WD179	2x	E130
2x	WD186	1x	WD19	2x	WD180
1x	V001	1x	WD155	1x	WD20
2x	WD221	2x	WD187	1x	WD156
2x	WD222	1x	E67 _(K2)	2x	WD188
2x	WD223	1x	WD194	1x	E67 _(K2)
		2x	WD190	1x	WD193
		1x	WD192 _(K1,K2)	2x	WD189
				1x	WD191 _(K1,K2)
				1x	P061 _(S6)



RECYCLED - (R)

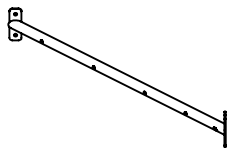


[cm]

RECYCLED - (R)



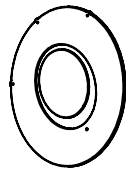
141133
x1



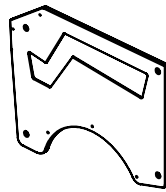
142103
x2



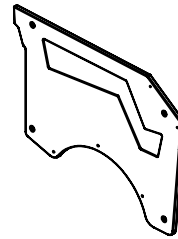
141142
x4



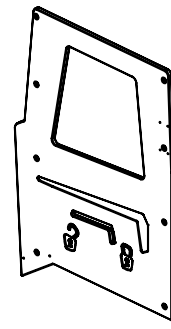
141336
x2



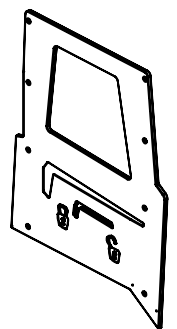
141331
x1



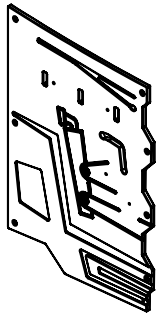
141329
x1



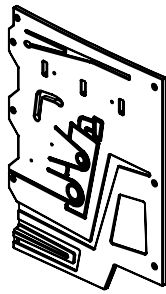
141330
x1



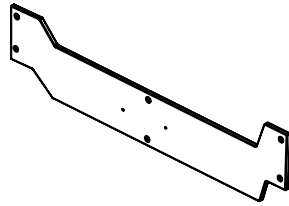
141328
x1



141350
x1



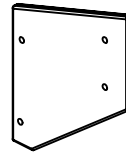
141338
x1



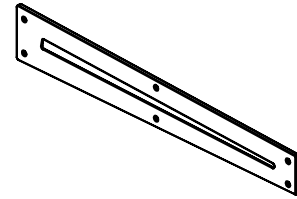
141337
x1



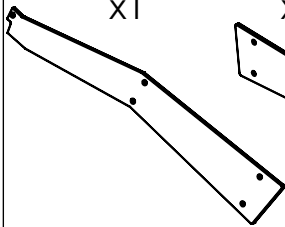
081150
x1



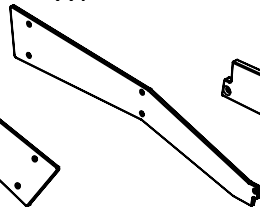
141340
x2



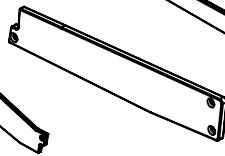
141332
x1



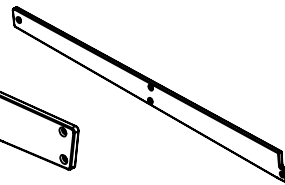
141362
x1



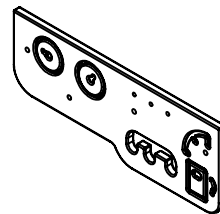
141333
x1



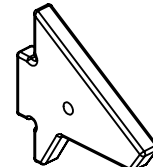
141335
x1



141334
x1



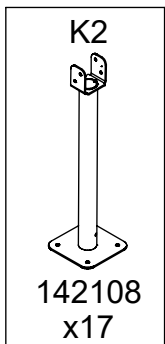
141176
x2



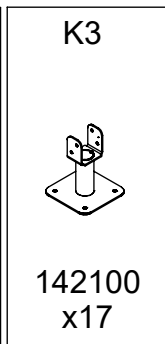
141174
x6



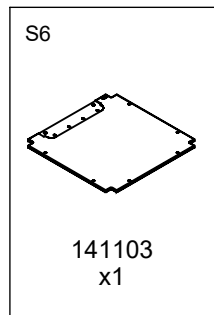
141173
x2



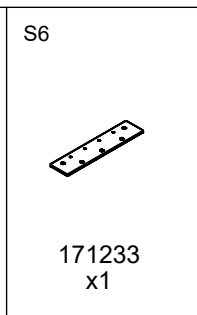
142108
x17



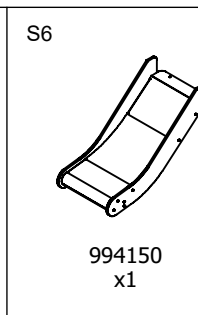
142100
x17



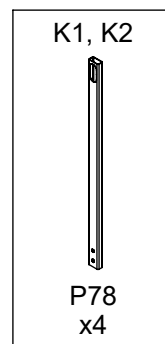
141103
x1



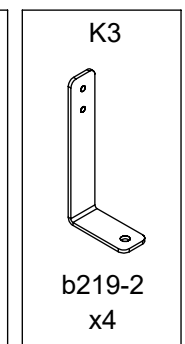
171233
x1



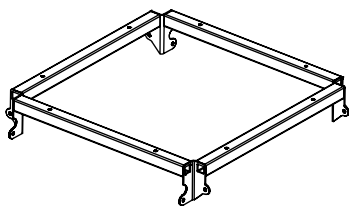
994150
x1



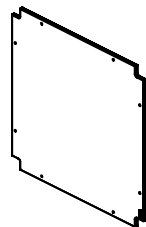
P78
x4



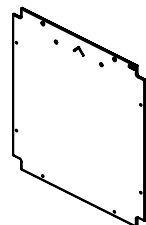
b219-2
x4



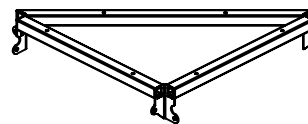
142109
x7



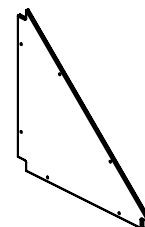
141100
x6



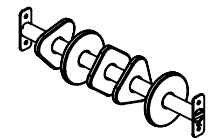
141101
x1



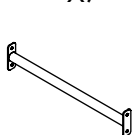
142110
x2



141104
x2



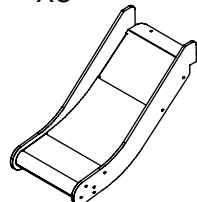
144126
x2



142117
x1



172107
x2



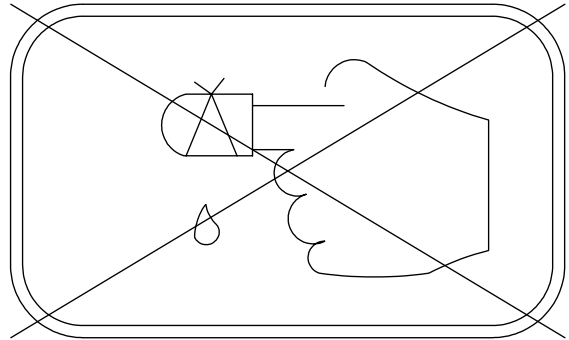
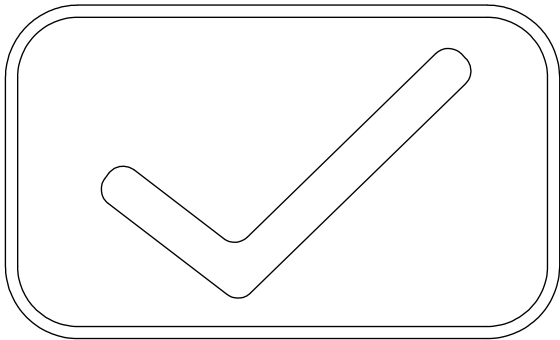
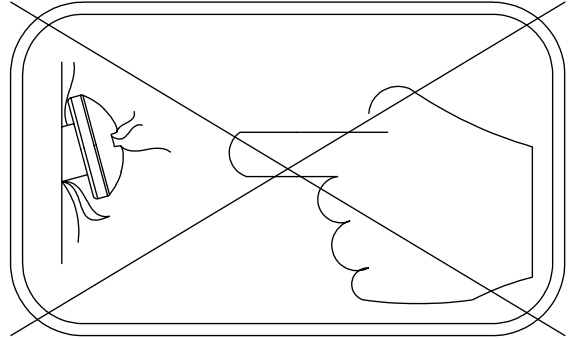
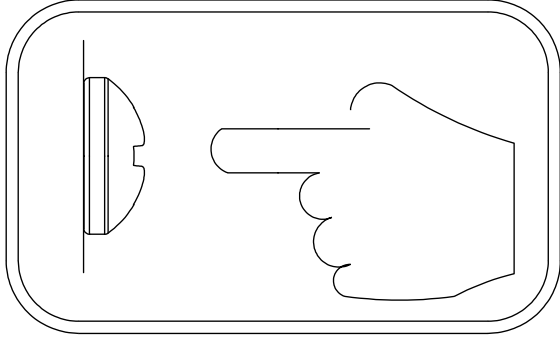
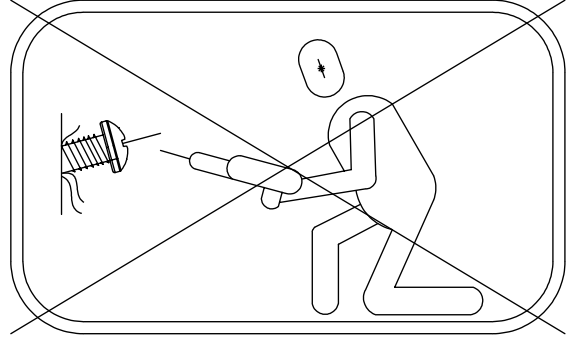
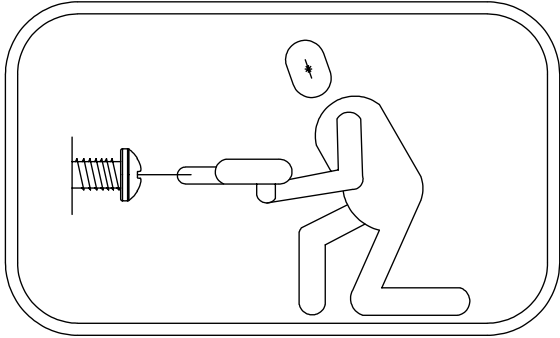
994103
x1

[cm]

vinci
play

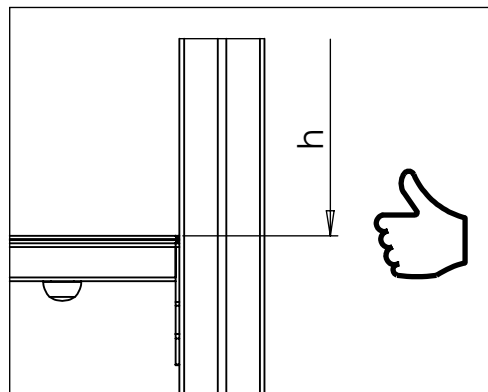
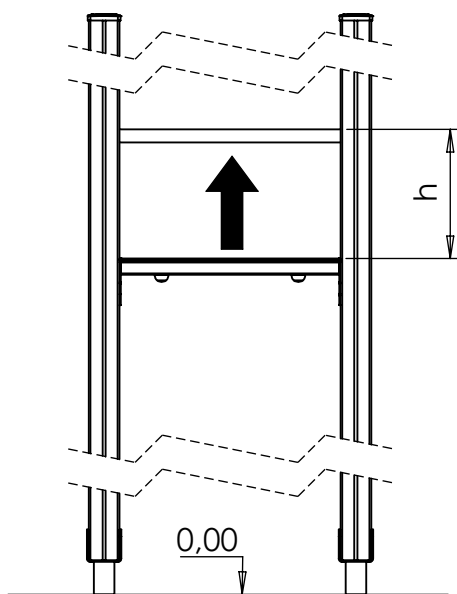
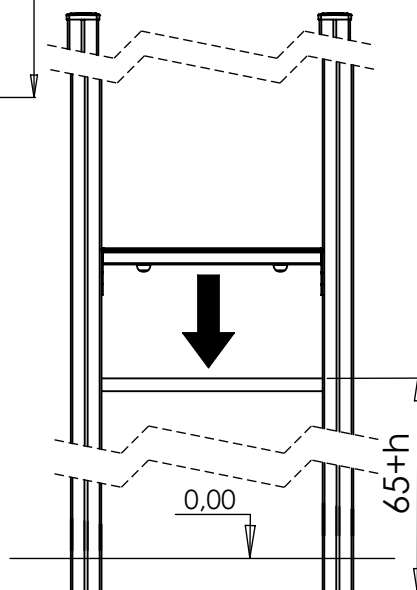
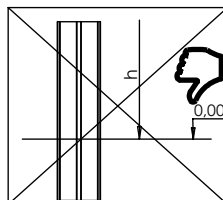
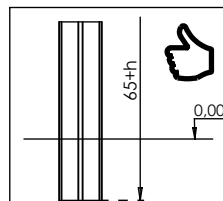
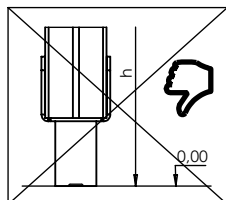
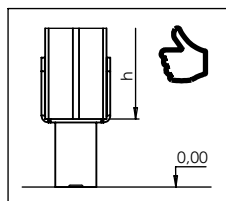
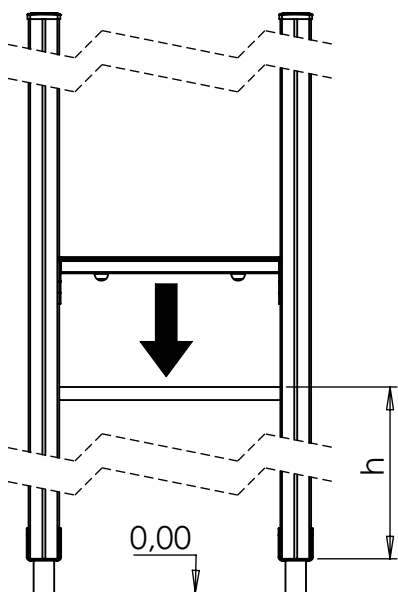
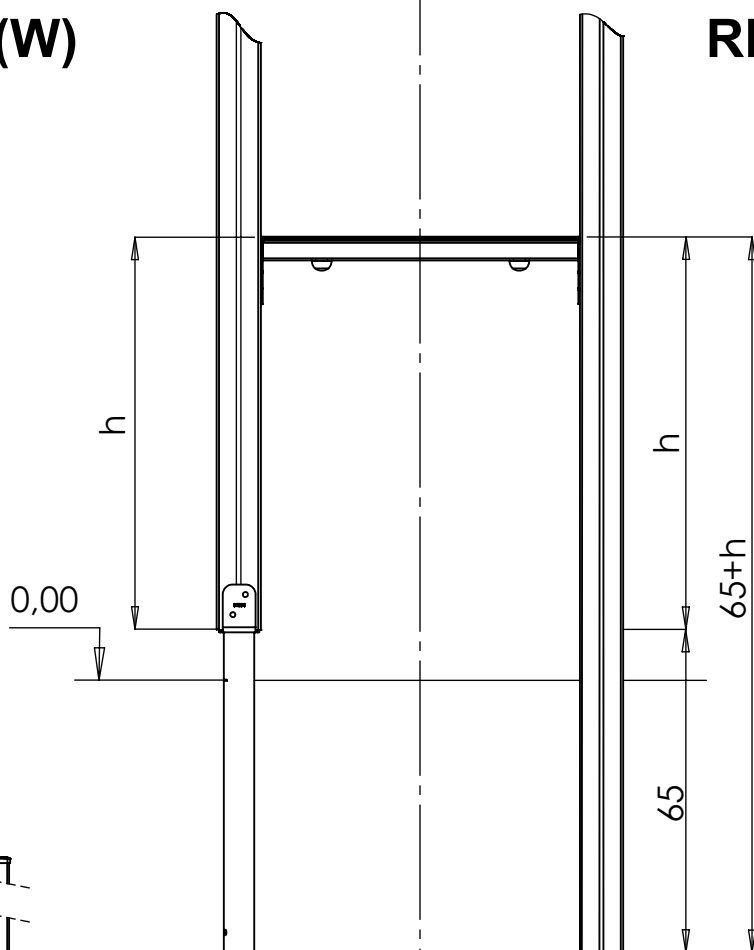
RECYCLED - (R)

		PLYWOOD / HDPE		HPL	
68x	8x50 sxi (K2,K3)	1x	WD28(S1)	1x	WD29(S1)
224x	8x50 sxi	1x	WD113(S6)	1x	WD114(S6)
2x	6x50 sxs	3x	WD74	3x	WD75
1x	E34(K1,K3)	6x	WD76	6x	WD77
1x	E35(K2)	1x	WD132	1x	WD133
17x	WD1	1x	WE128	1x	WL128
2x	WD105	1x	WD106	1x	WD107
3x	WD97	1x	WD108	1x	WD109
2x	WD100	2x	WD177	2x	WD178
1x	WD103	2x	WD174Q	2x	WD173
1x	WD91	1x	WD175	1x	WD176
1x	WD2	2x	WD179	2x	E130
2x	WD184	1x	WD19	2x	WD180
2x	WD186	1x	WD155	1x	WD20
1x	V001	2x	WD187	1x	WD156
2x	WD221	1x	E67(K2)	2x	WD188
2x	WD222	1x	WD194	1x	E67(K2)
2x	WD223	2x	WD190Q	1x	WD193
		1x	WD192(K1,K2)	2x	WD189
		1x	WD19 Q	1x	WD191(K1,K2)
				1x	P061 (S6)



WOOD - (W)

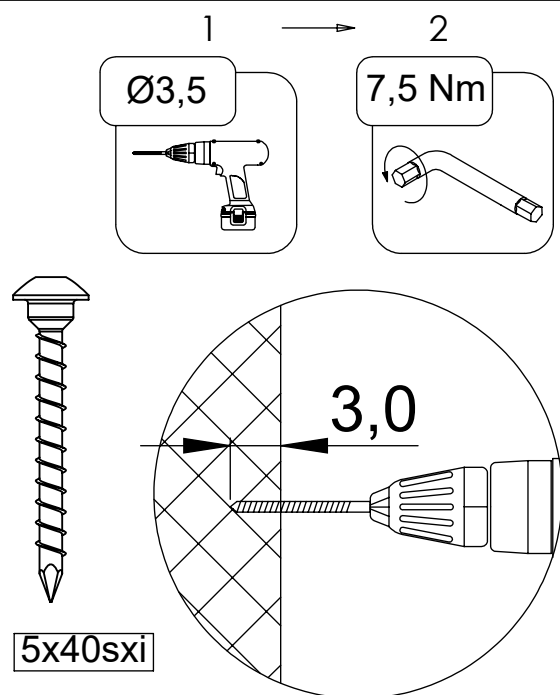
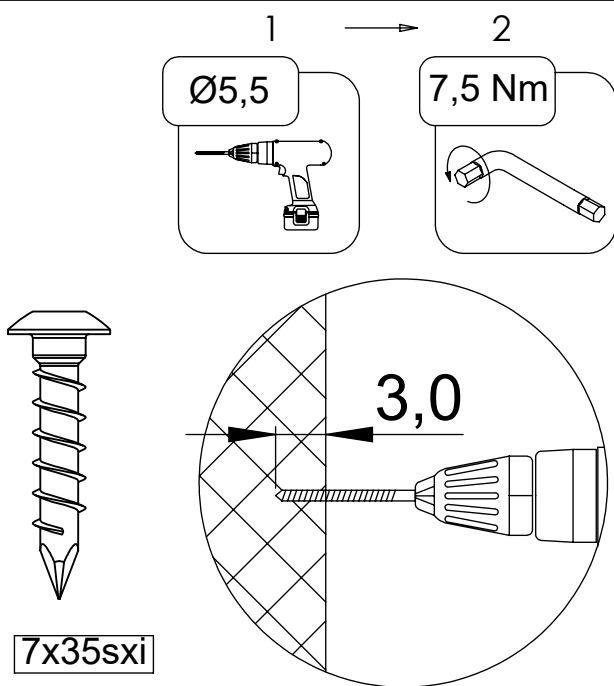
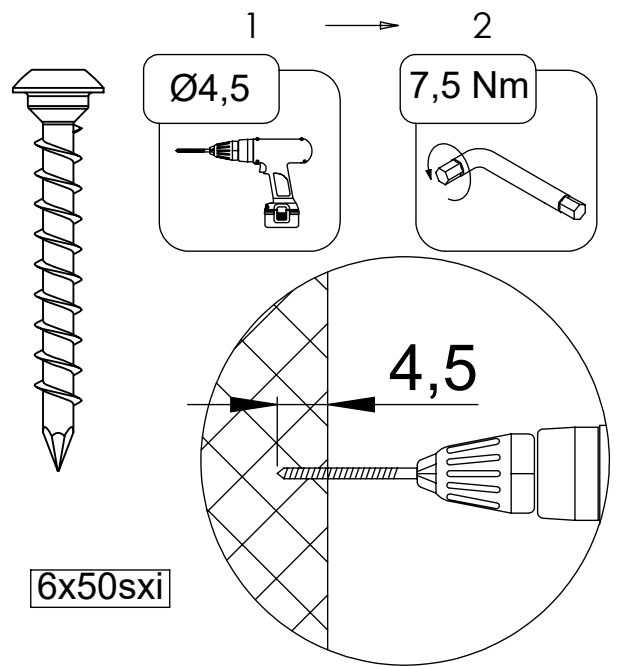
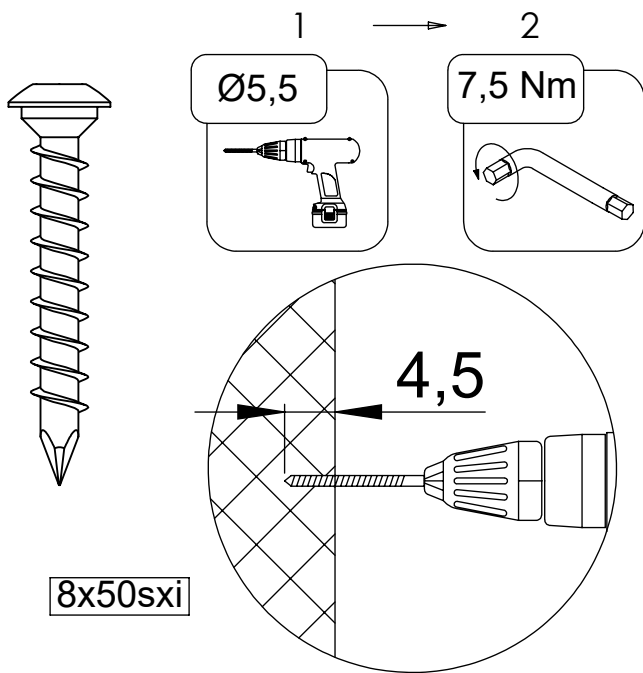
RECYCLED - (R)



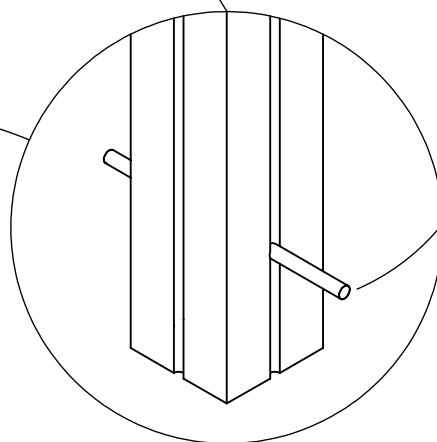
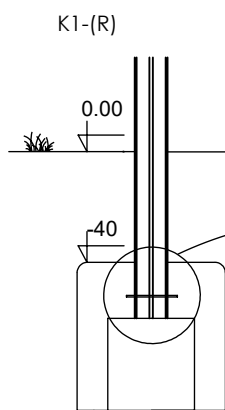
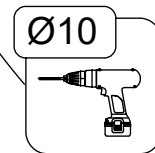
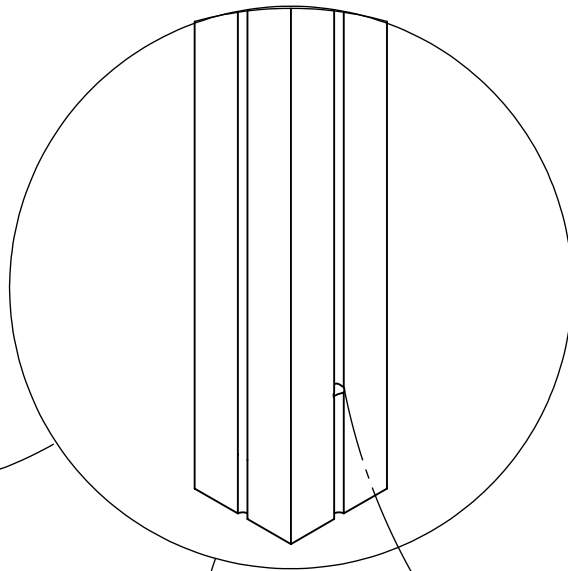
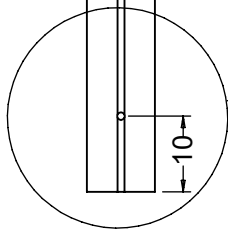
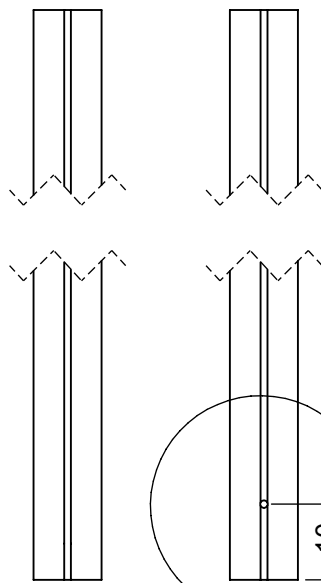
[cm]

vinci play

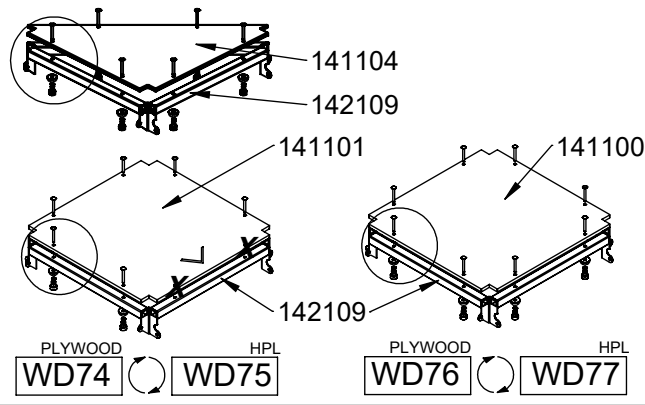
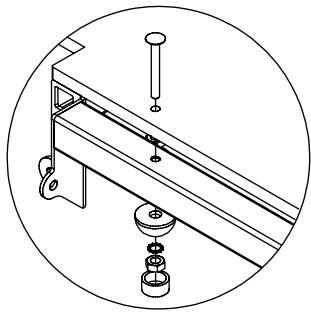
RECYCLED!



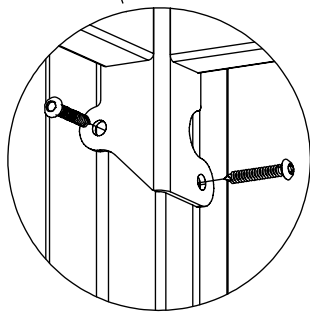
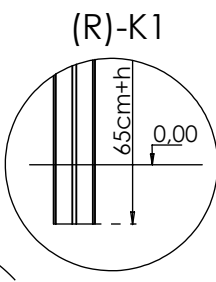
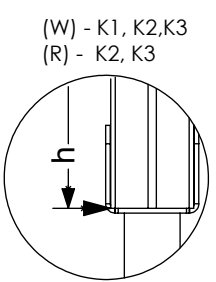
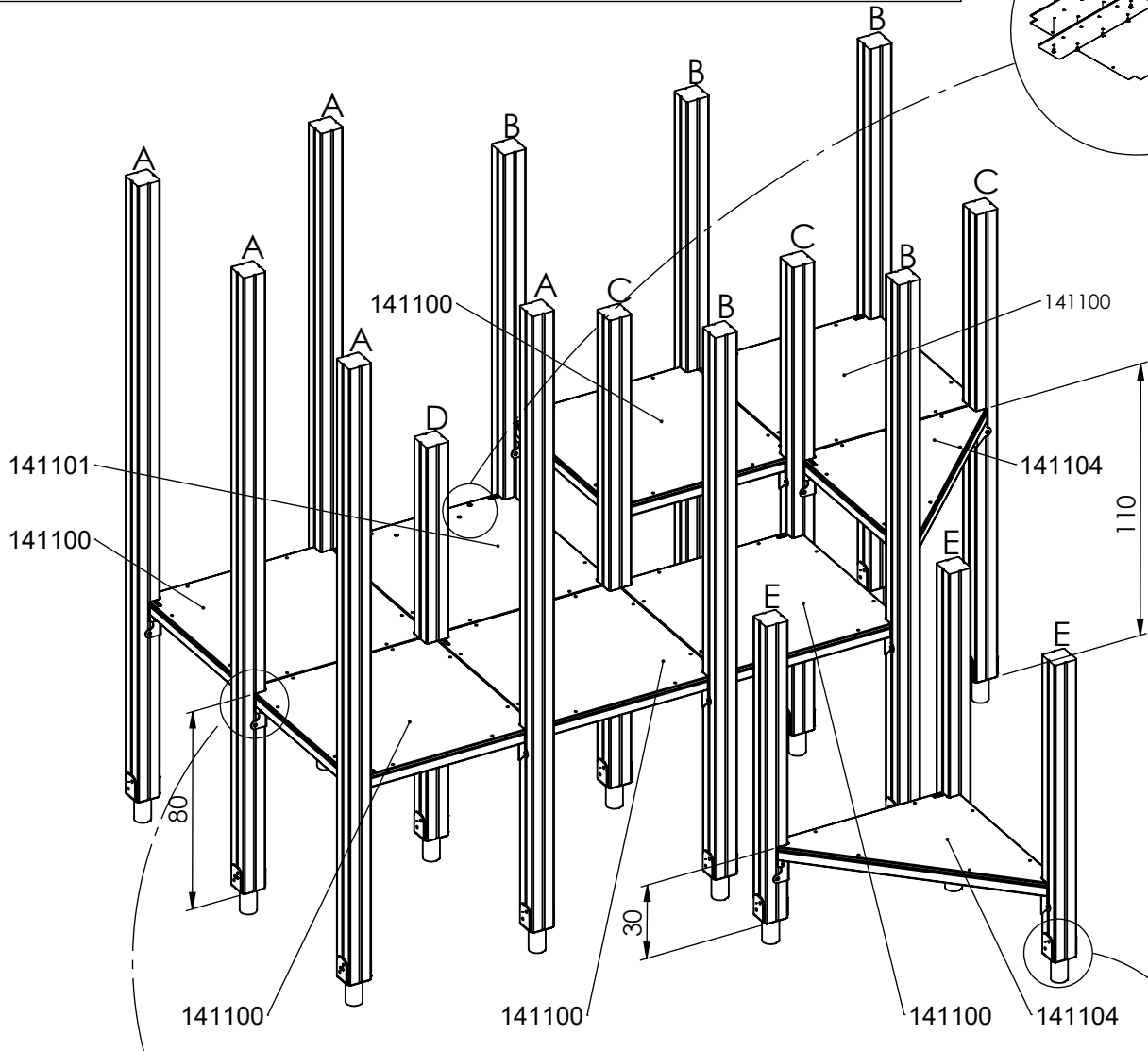
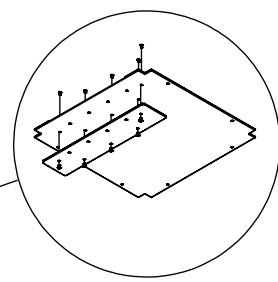
RECYCLED!



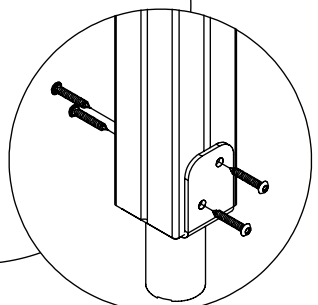
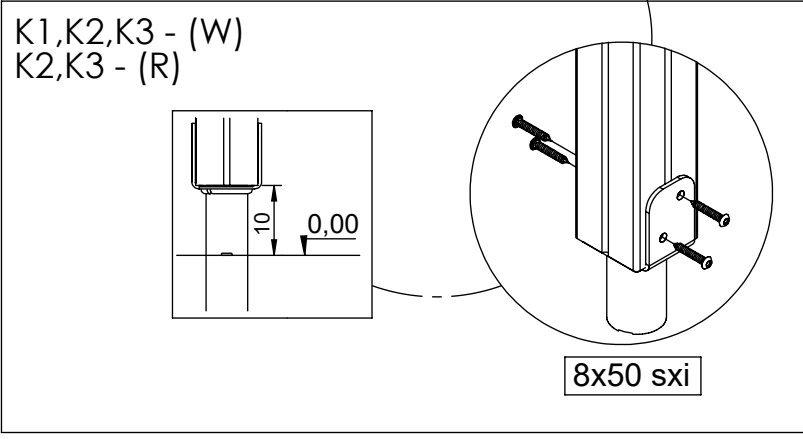
REINFORCING BAR
Ø8mmx180mm



1x **P061** S6

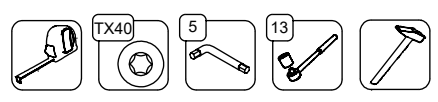


8x50 sxi

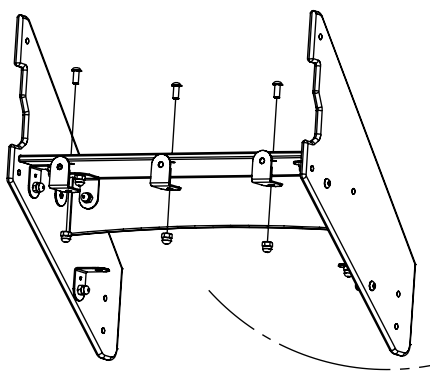
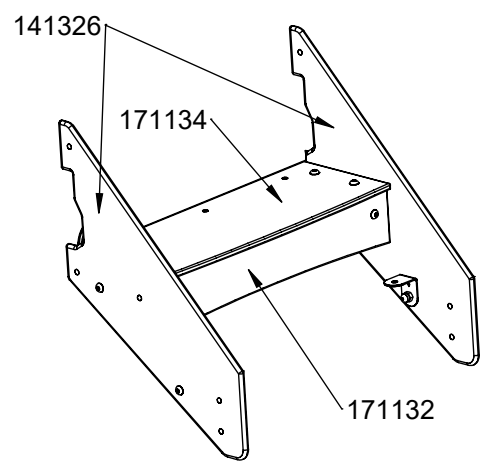
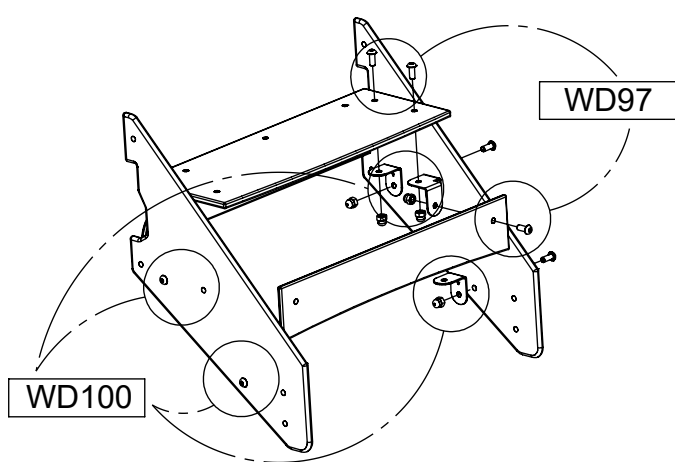
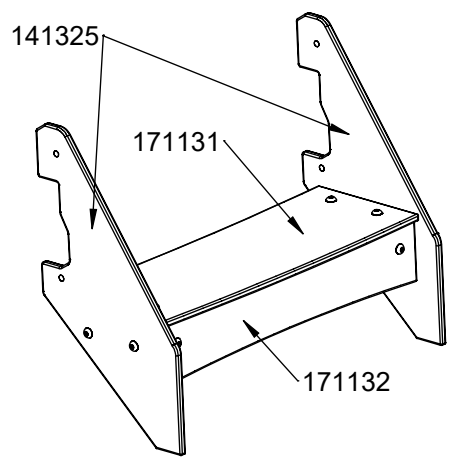
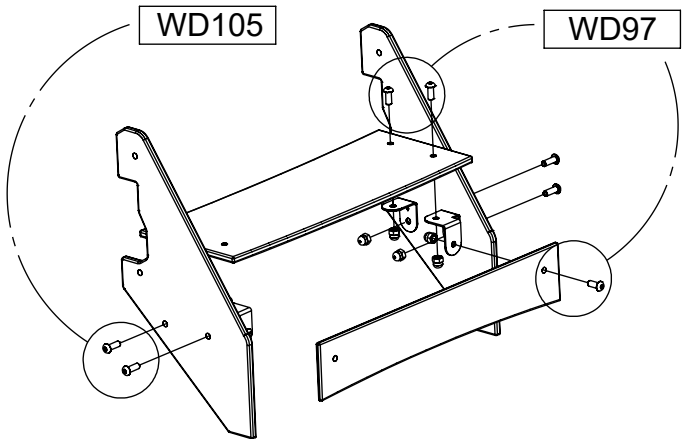


8x50 sxi

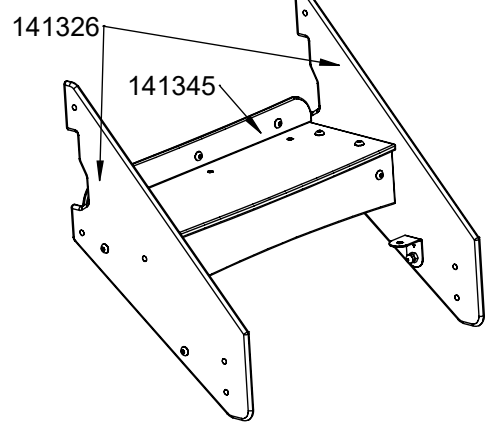
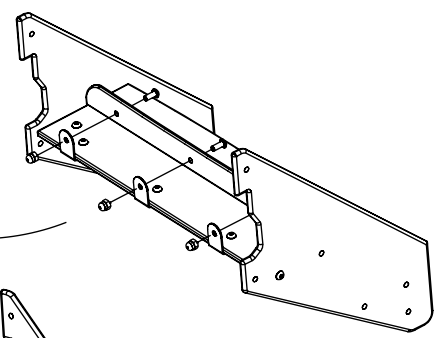
[cm]



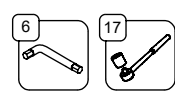
vinci
play



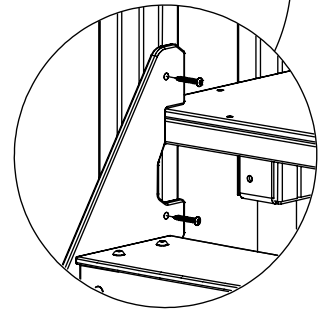
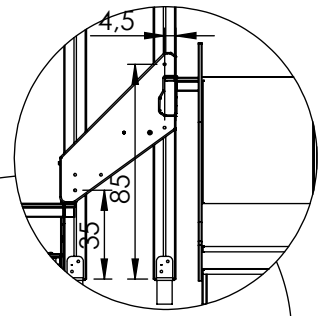
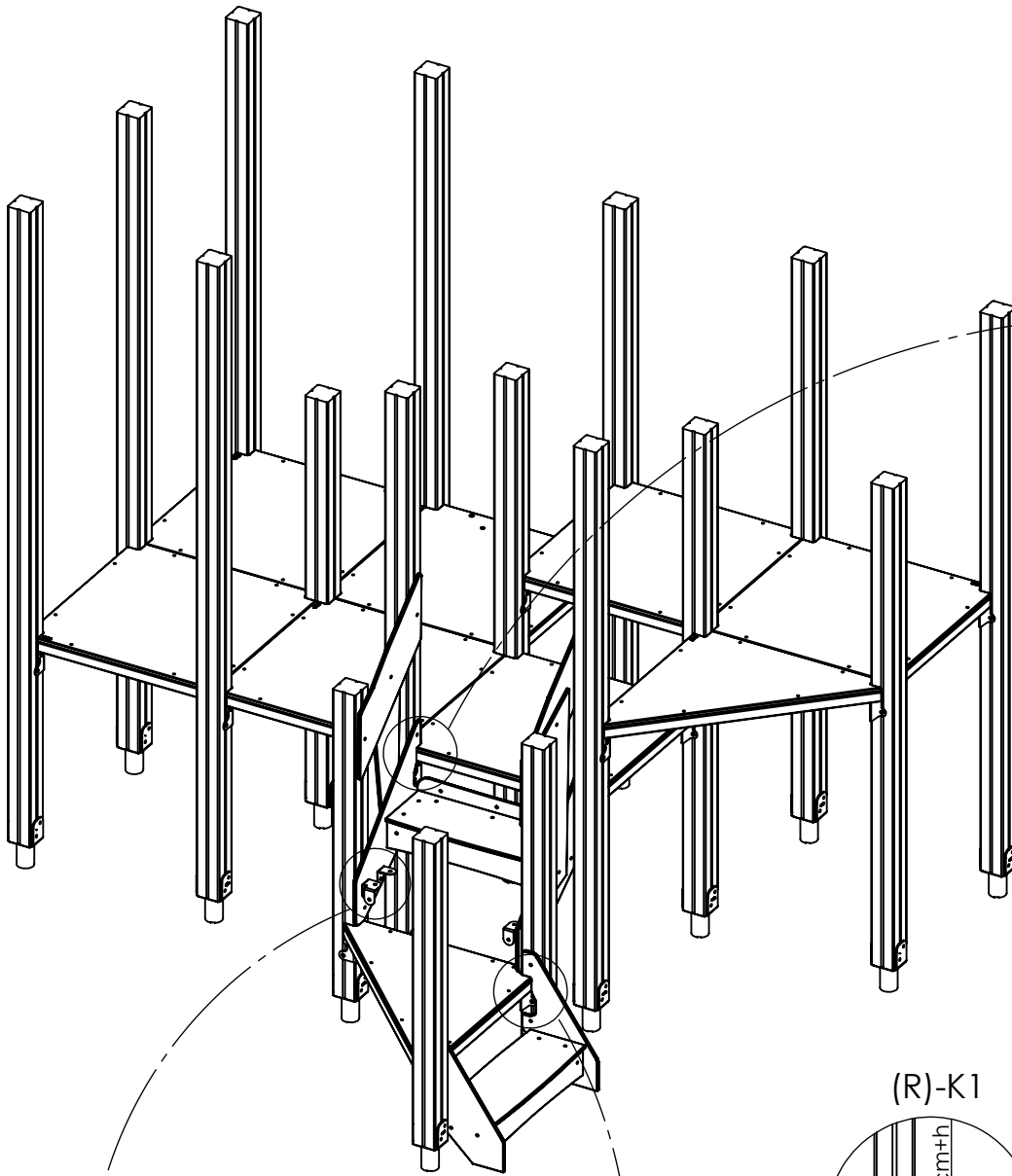
WD103



[cm]



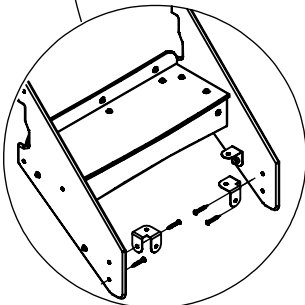
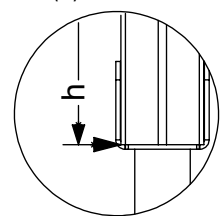
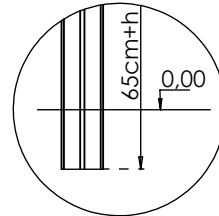
vinci
play



8x50 sxi

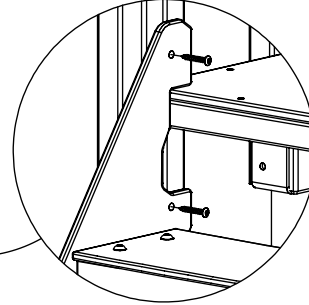
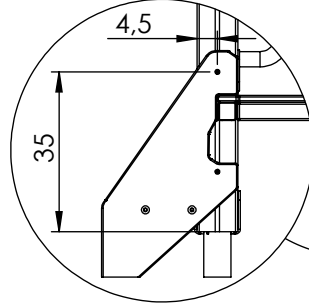
(R)-K1

(W) - K1, K2, K3
(R) - K2, K3



8x50 sxi

WD91

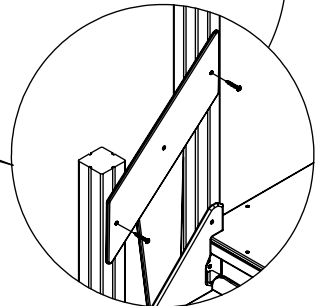
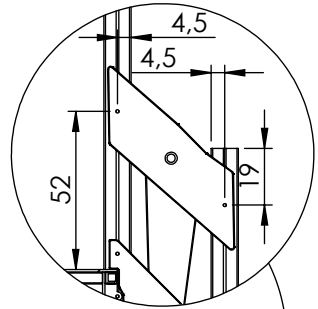
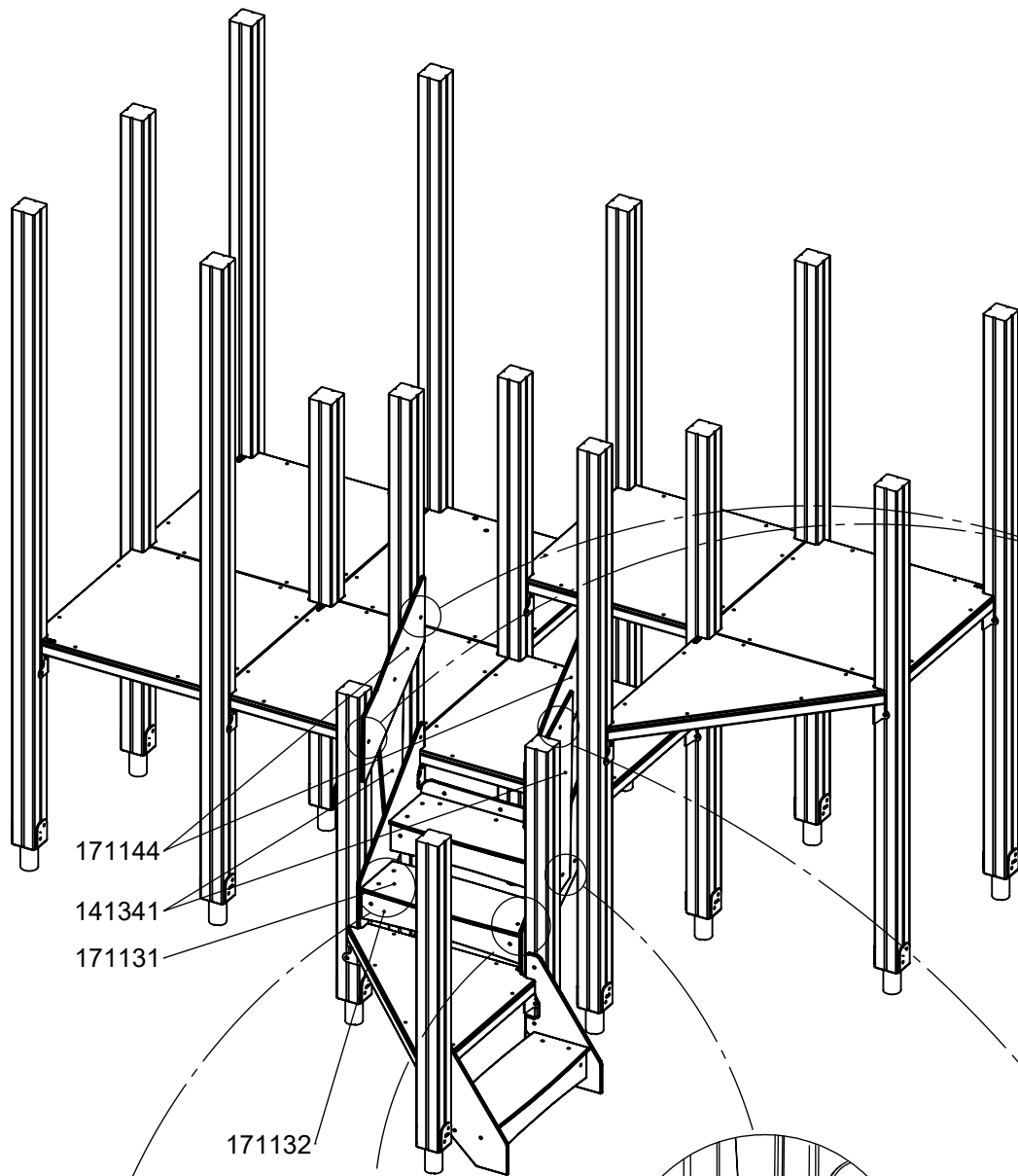


8x50 sxi

[cm]



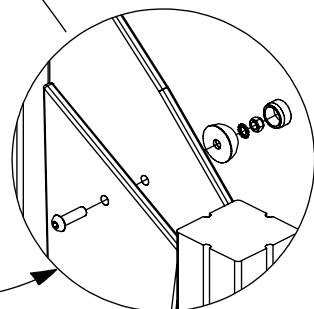
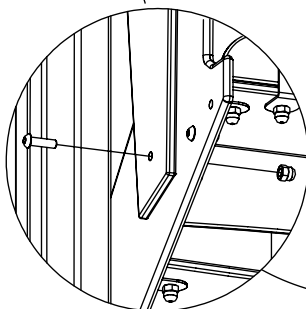
vinci
play



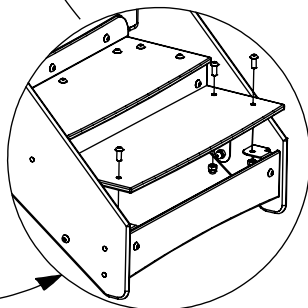
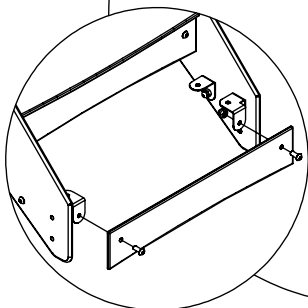
8x50 sxi

171144
141341
171131

171132

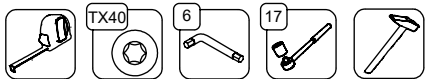


WD100

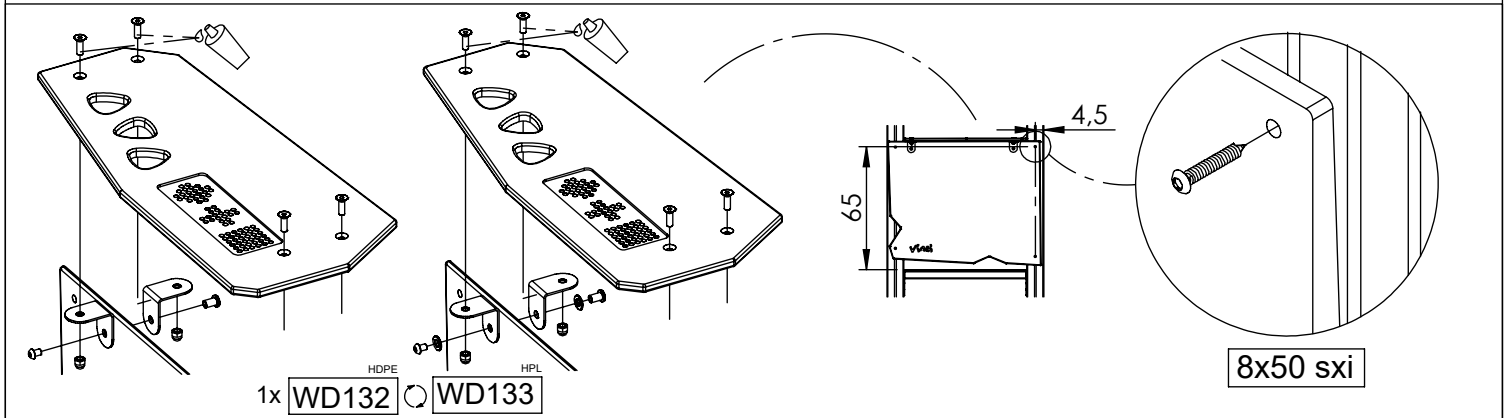
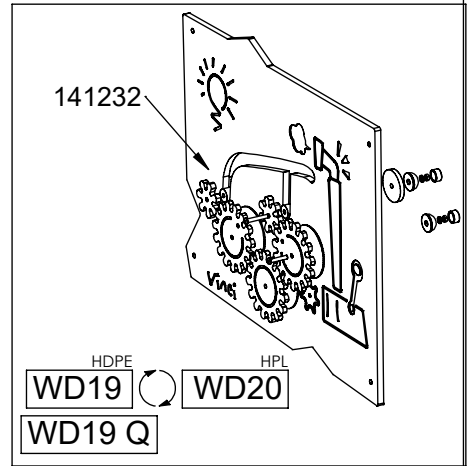
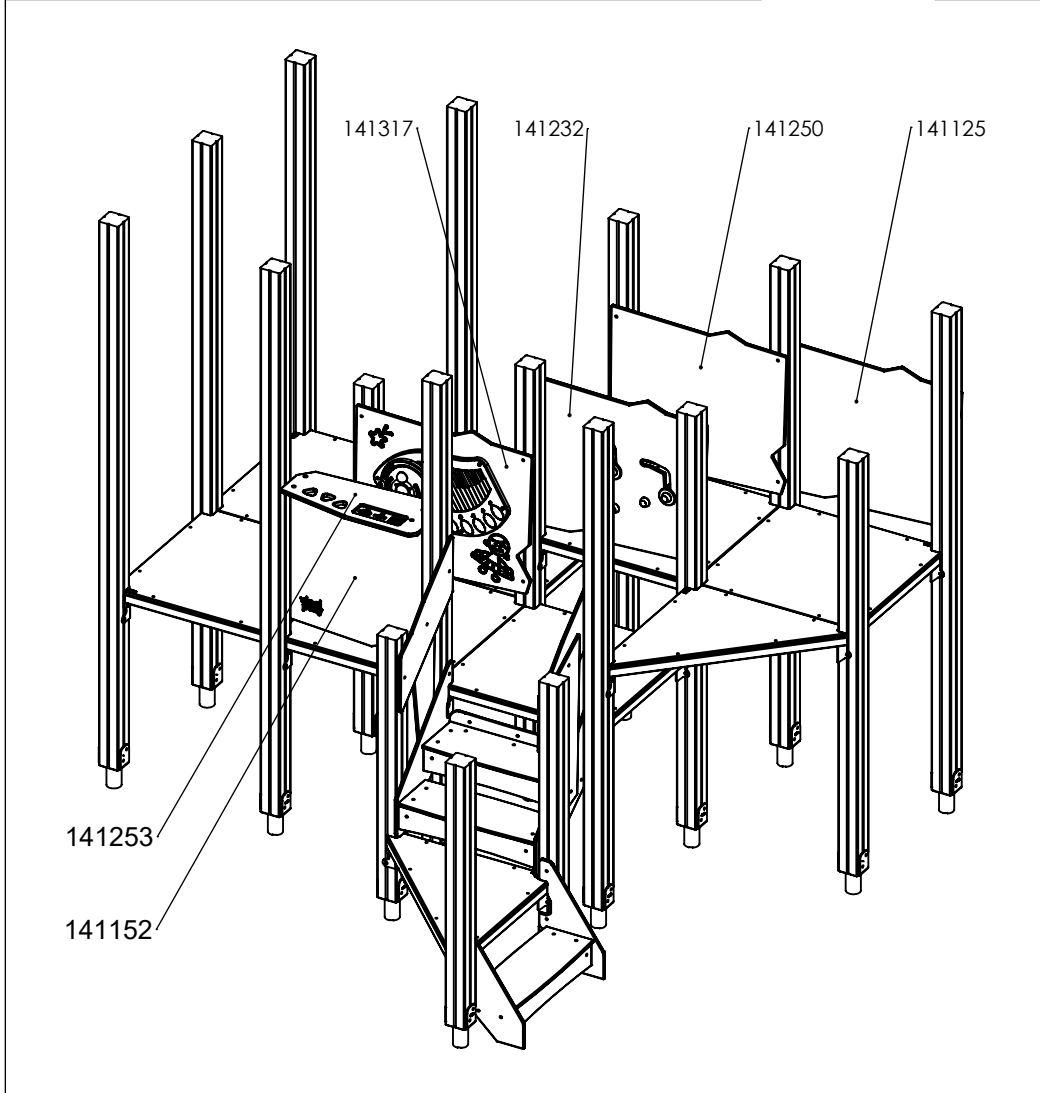
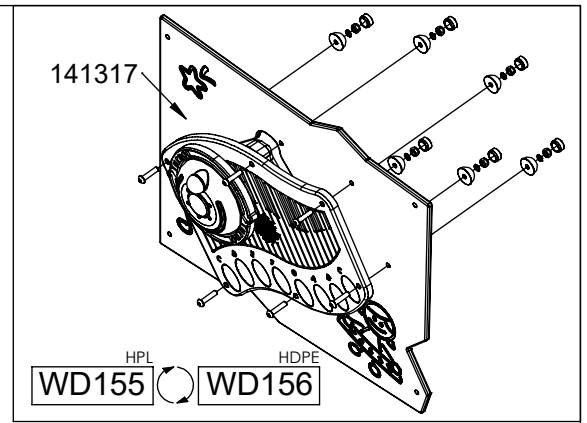
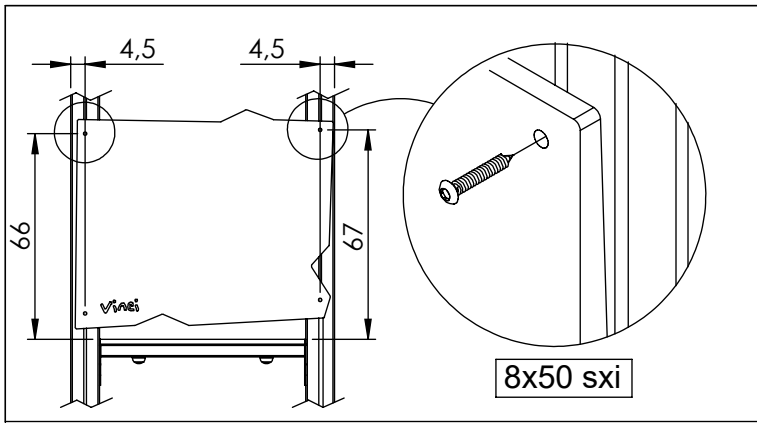


WD97

[cm]



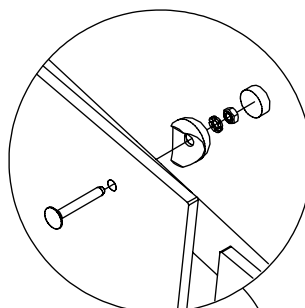
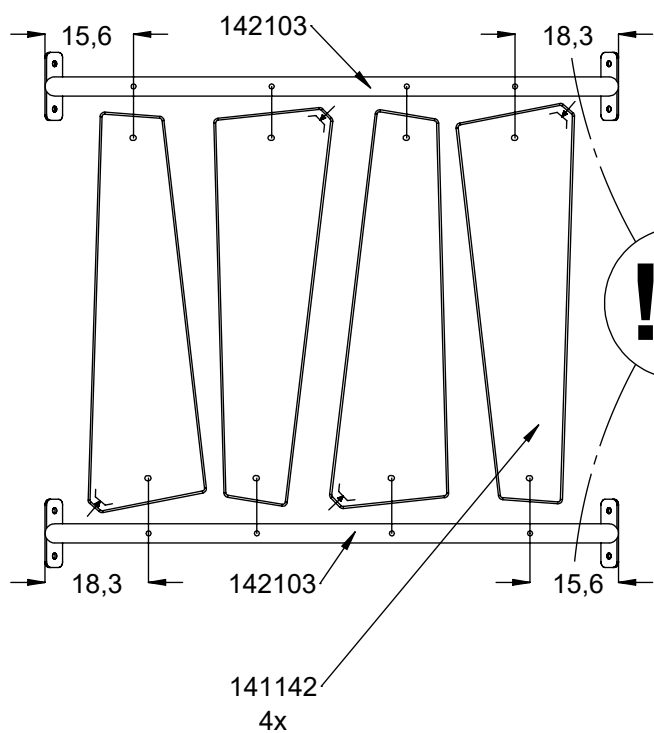
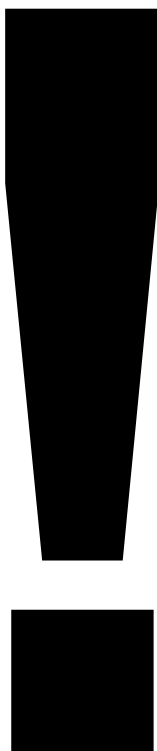
vinci
play



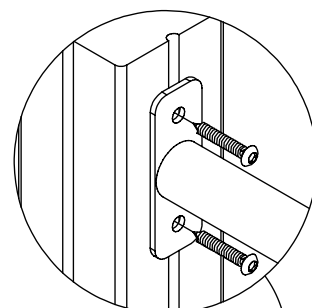
[cm]



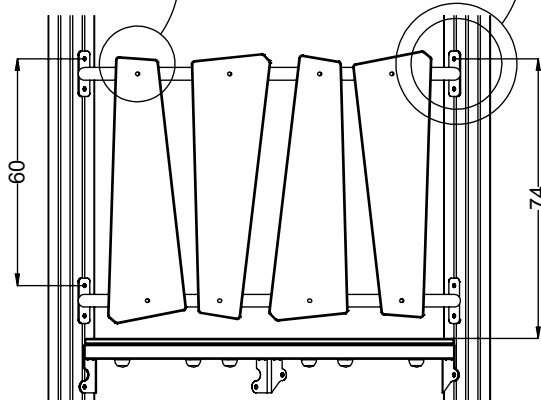
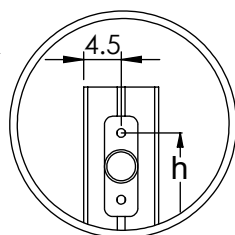
vinci
play



WD2



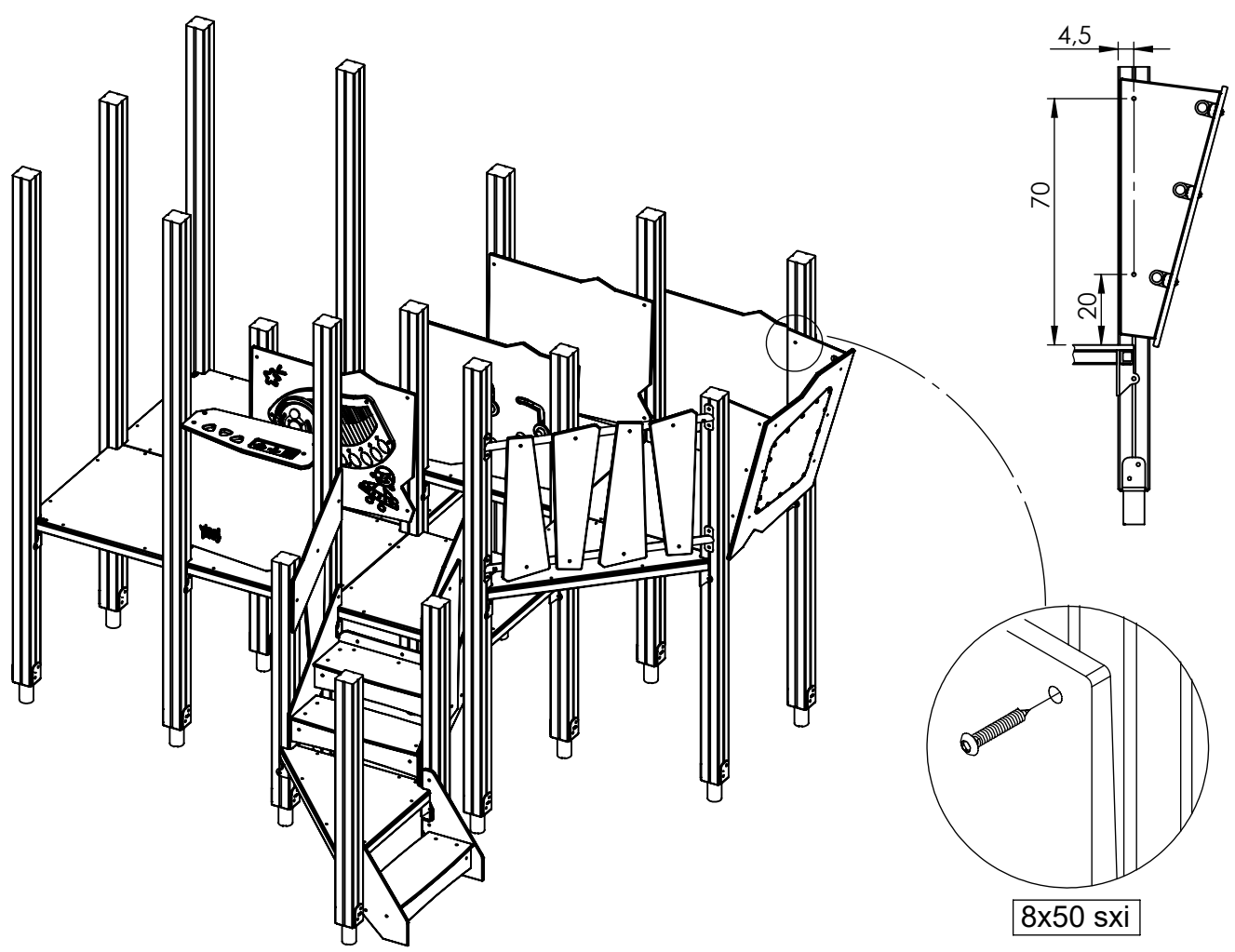
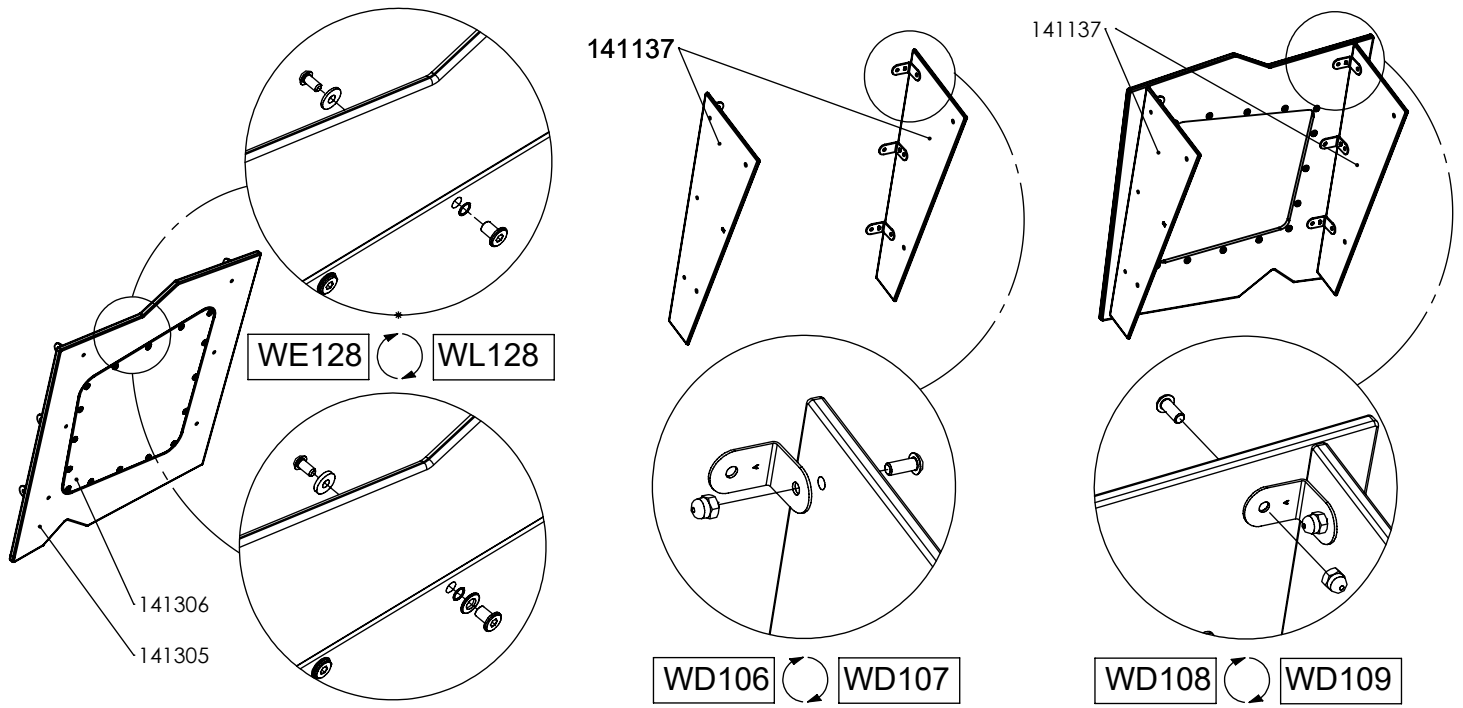
8x50 sxi



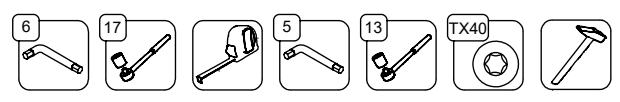
[cm]



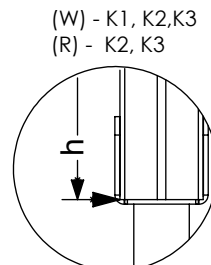
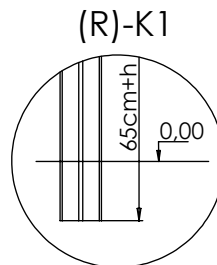
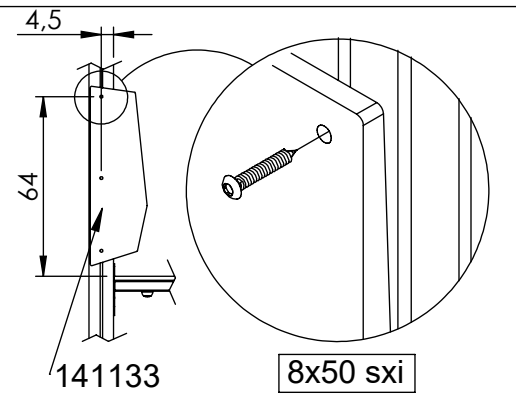
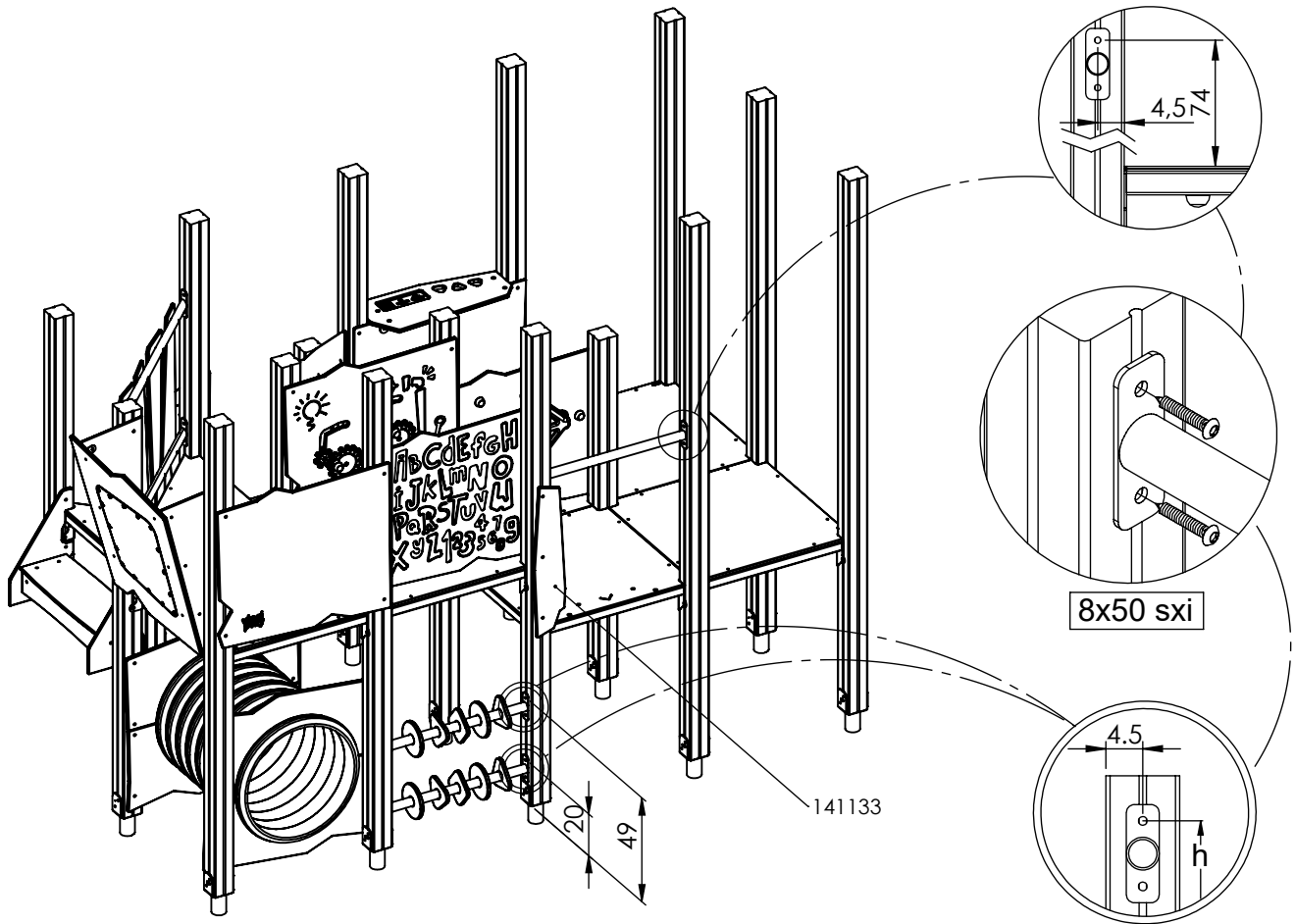
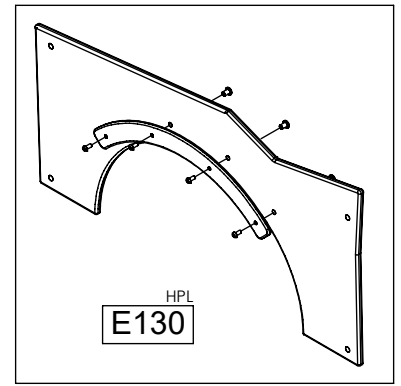
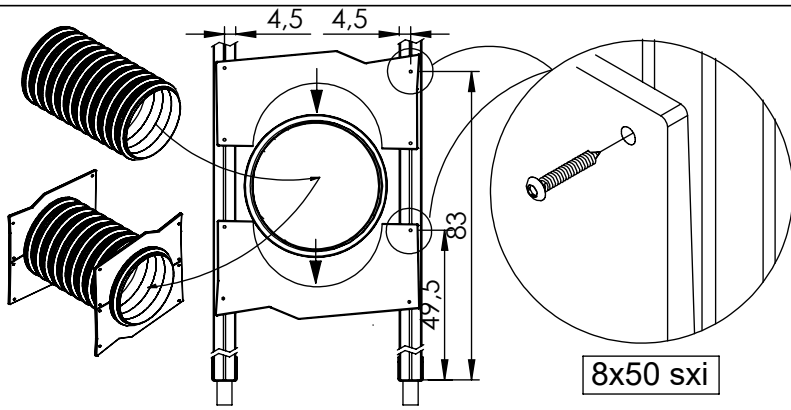
vinci
play



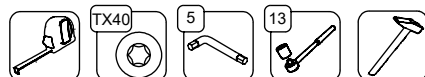
[cm]



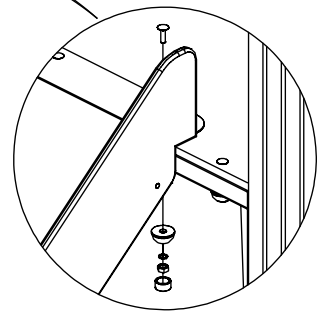
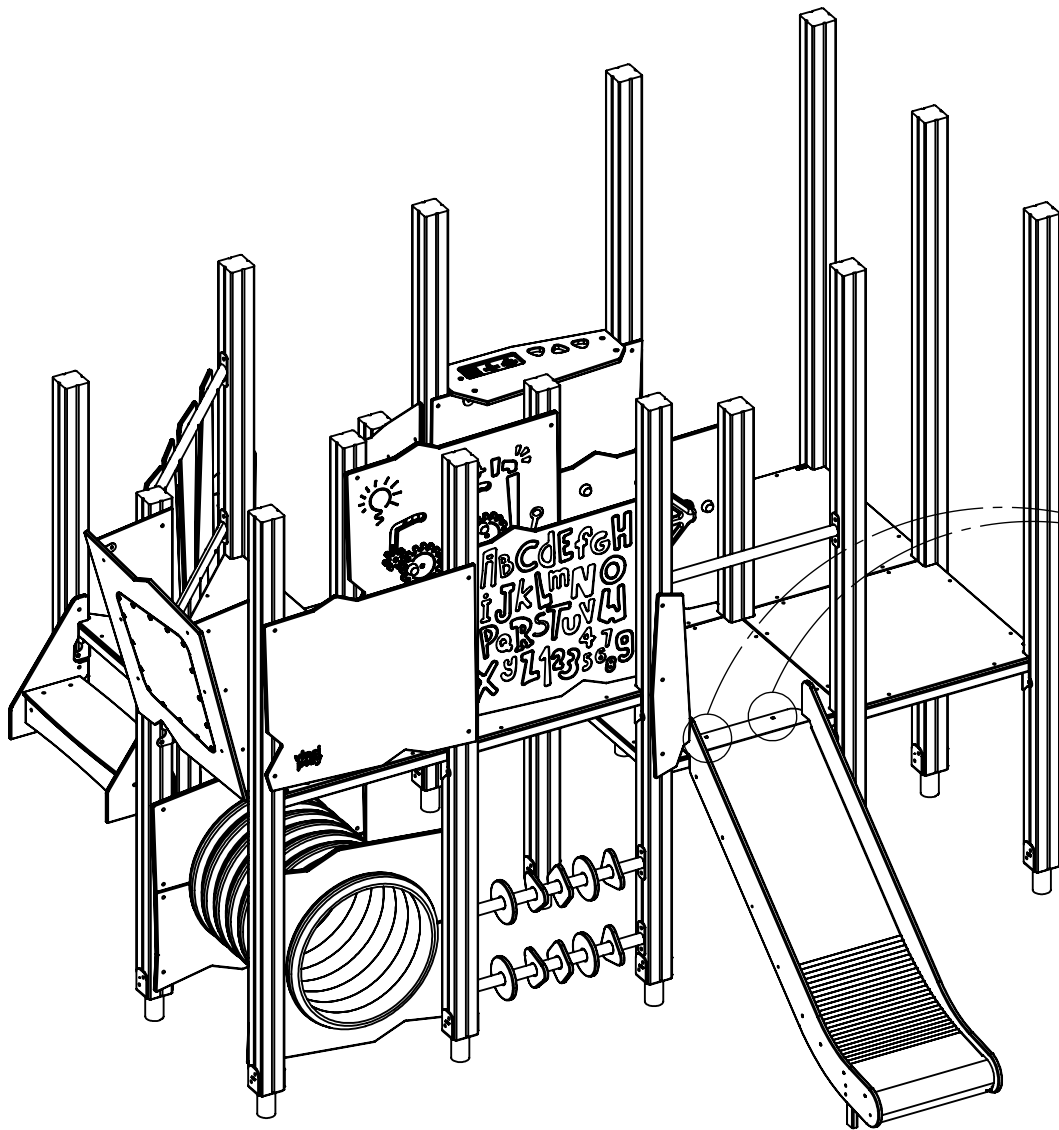
vinci
play



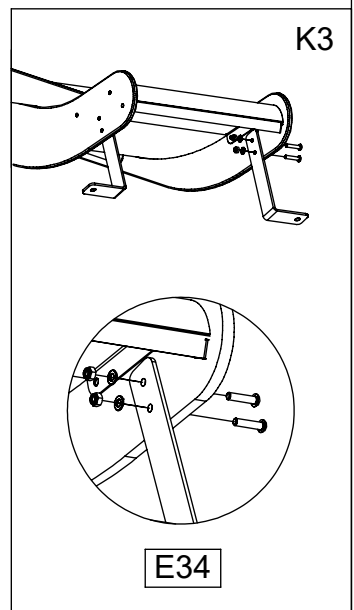
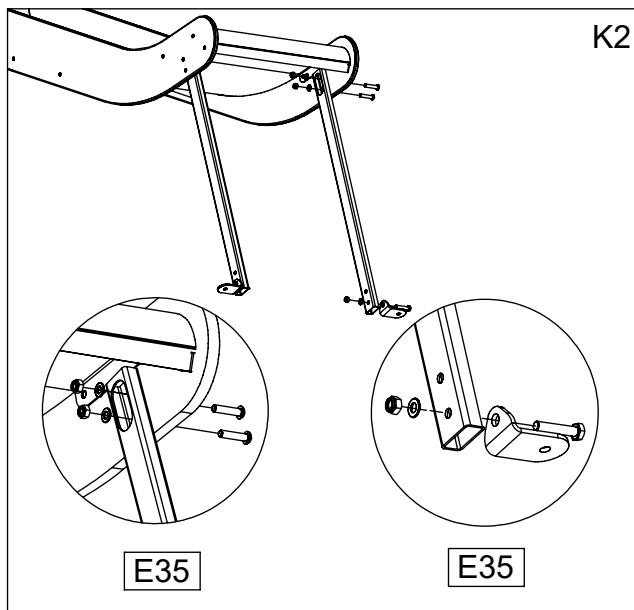
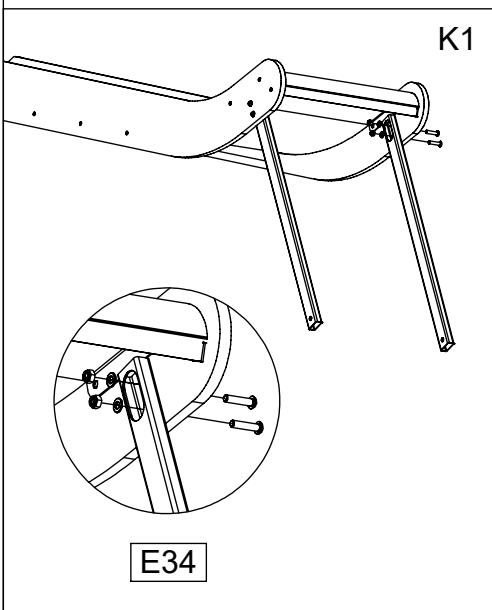
[cm]



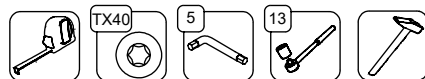
vinci
play



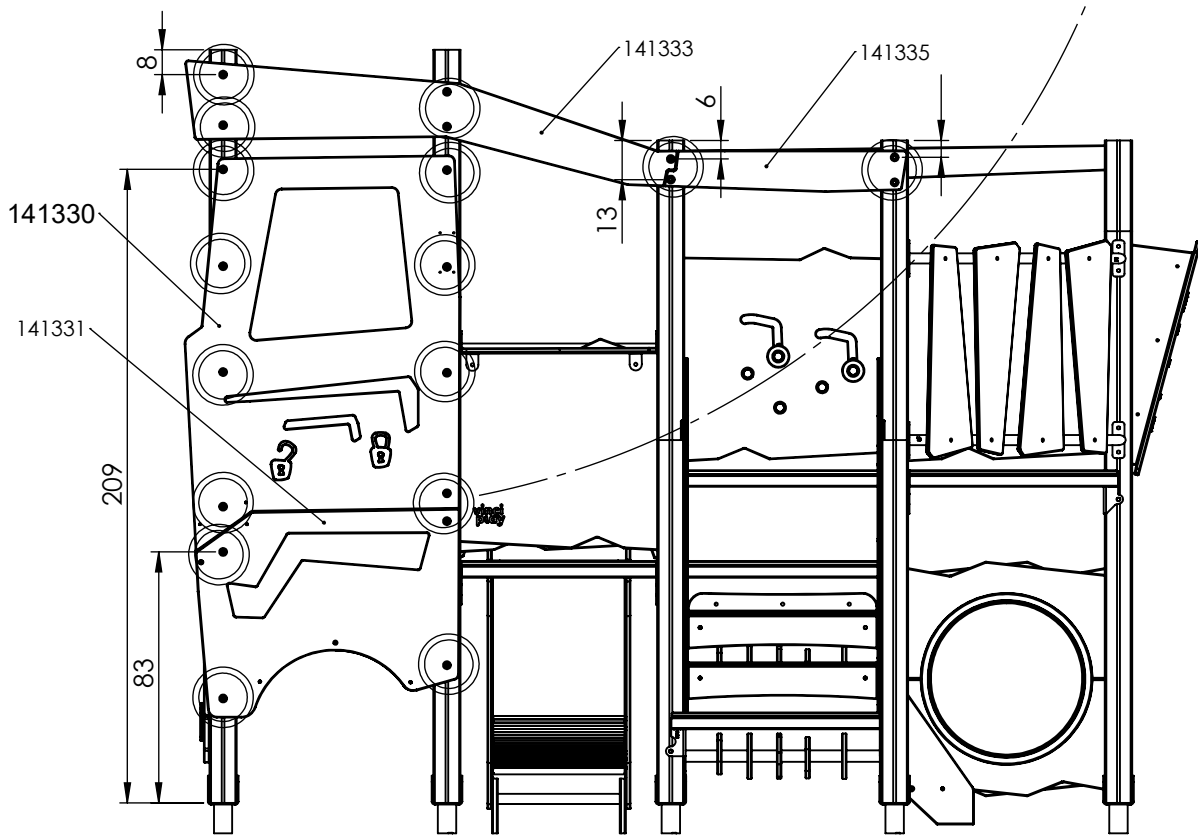
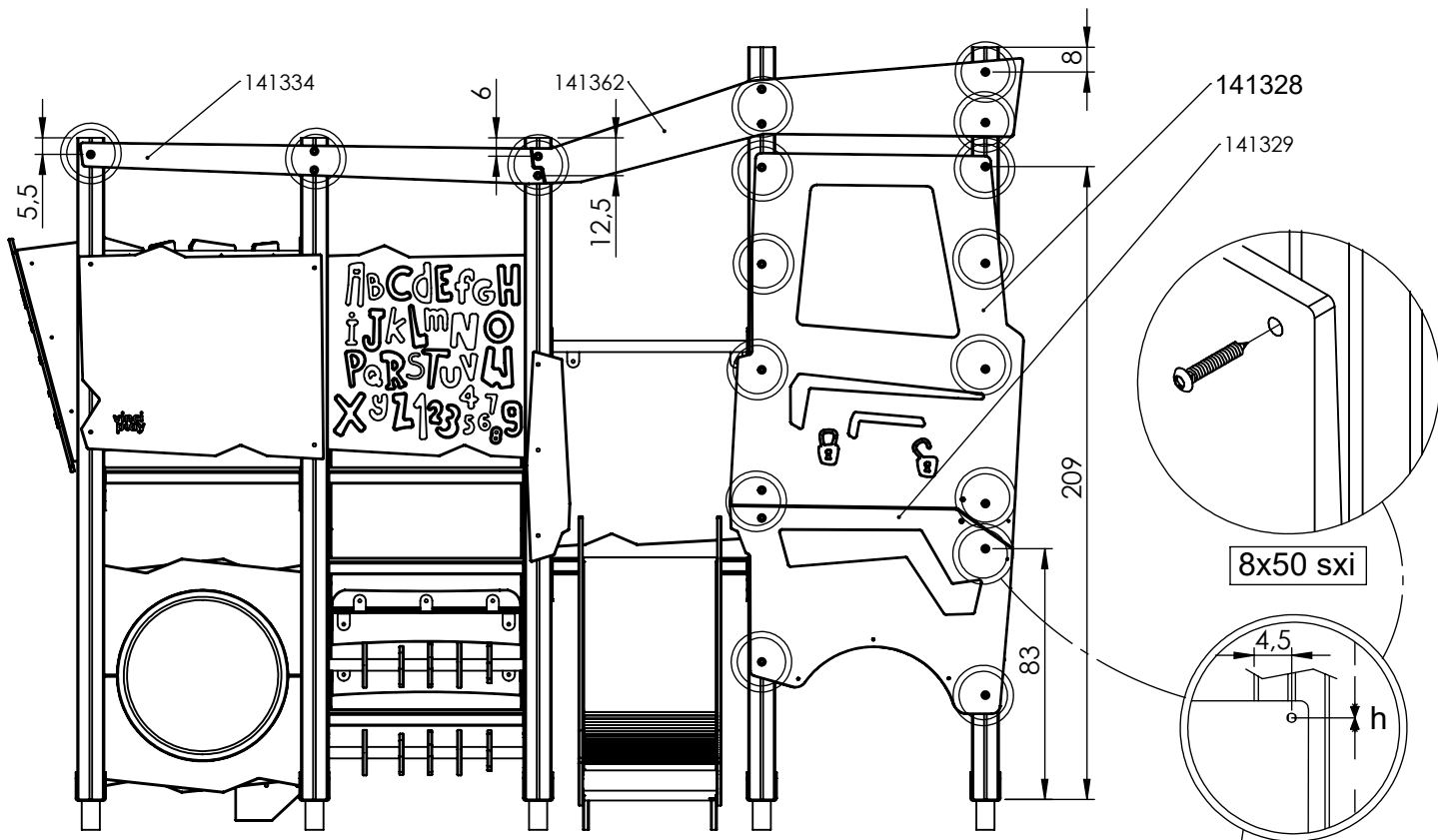
PLYWOOD		HPL
WD28	S1	WD29
PLYWOOD		HPL
WD113	S6	WD114



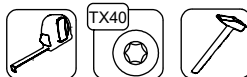
[cm]



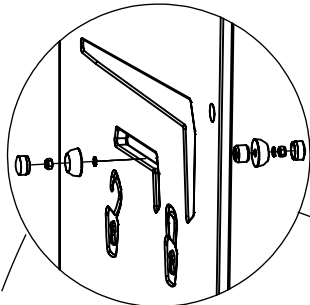
vinci
play



[cm]

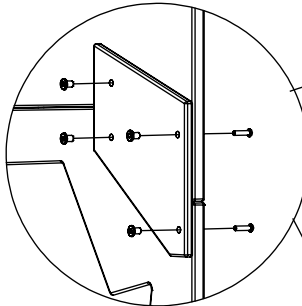


vinci
play



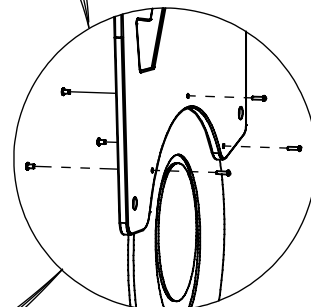
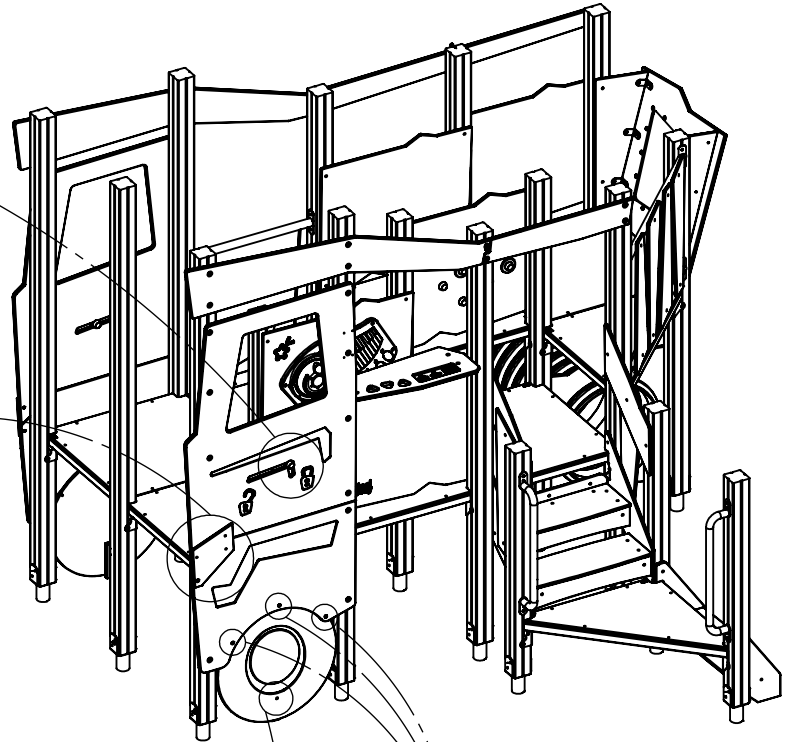
HDPE
WD178

HPL
WD177



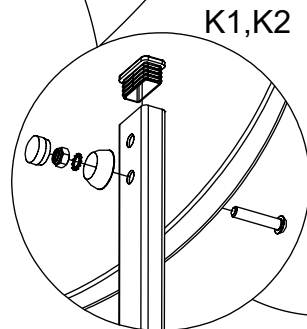
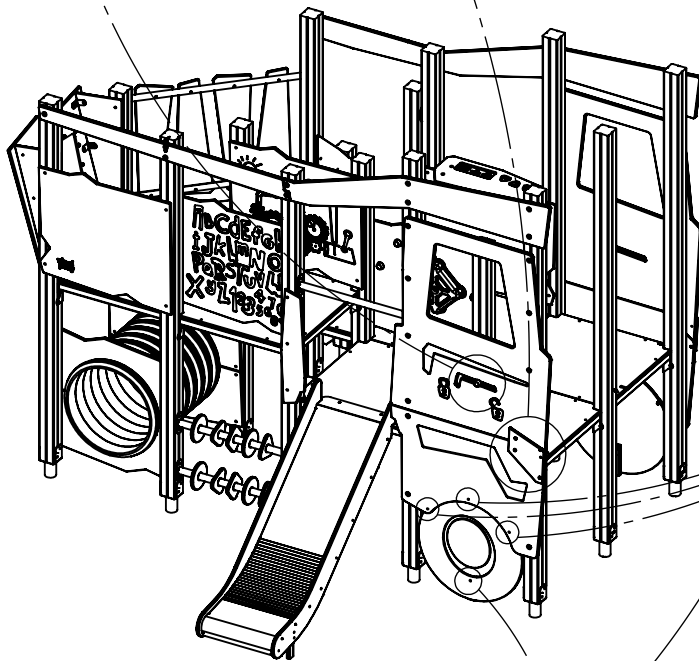
HDPE
WD188

HPL
WD187



HDPE
WD180

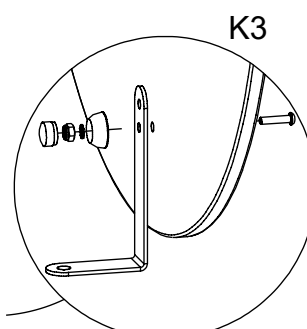
HPL
WD179



K1,K2

HDPE
WD192

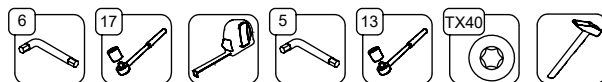
HPL
WD191



K3

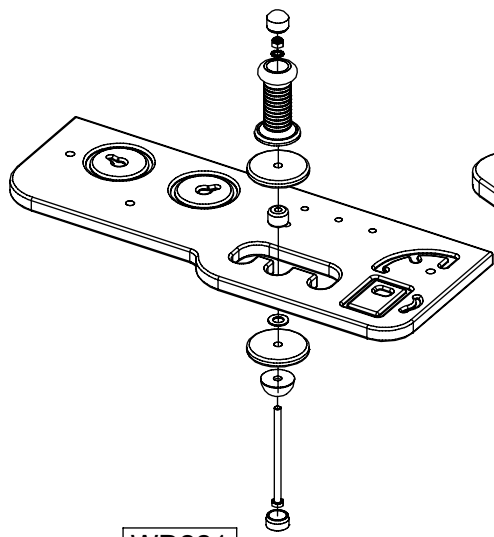
HDPE
WD194

HPL
WD193

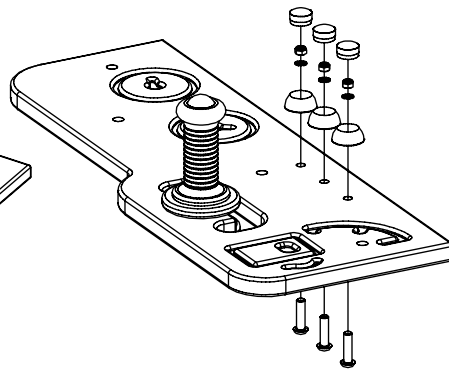


[cm]

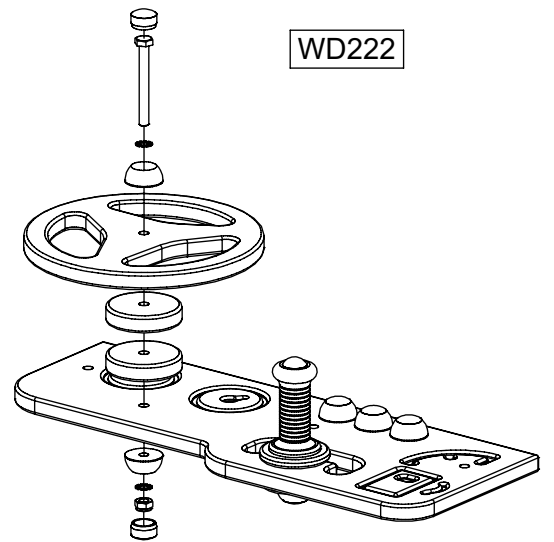
vinci
play



WD221

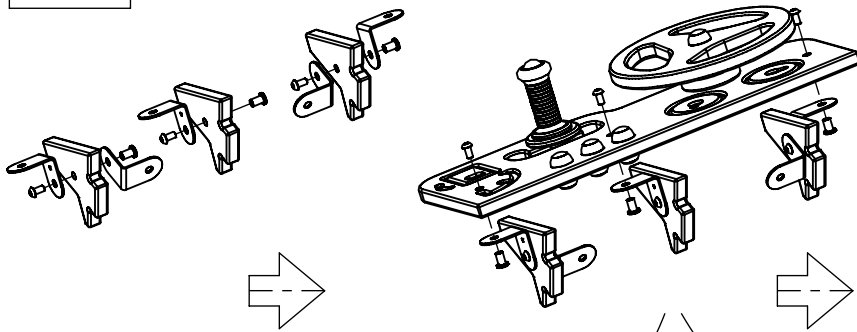


WD223

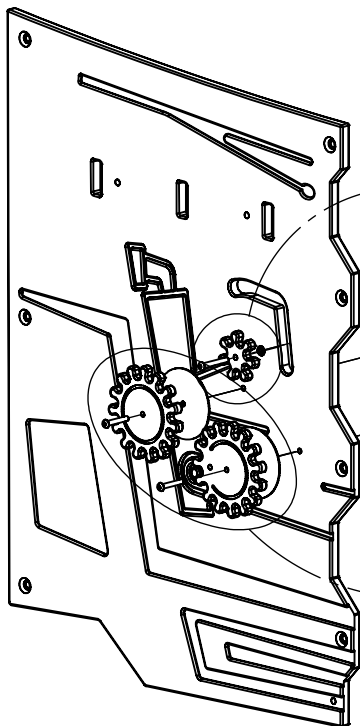
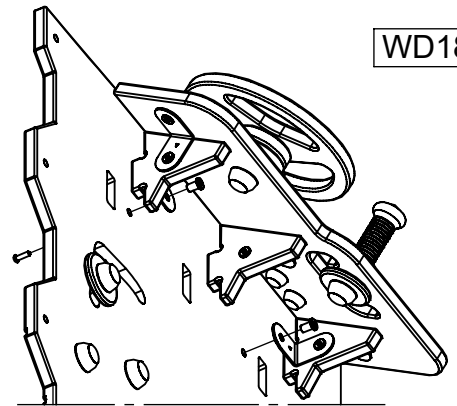


WD222

WD184

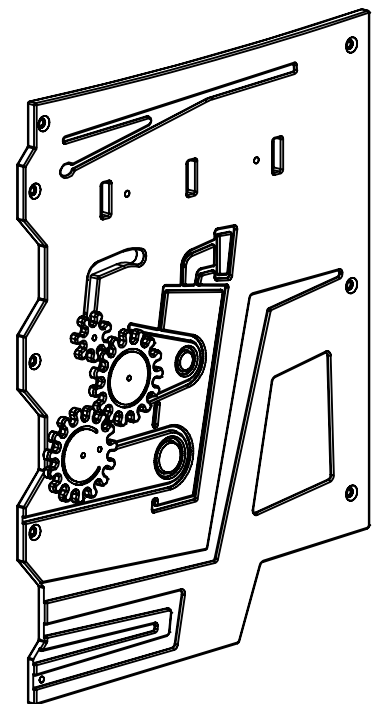


WD186

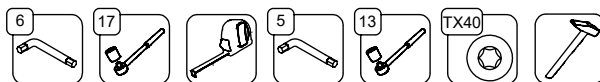


HDPE WD190 HPL WD189
WD190 Q

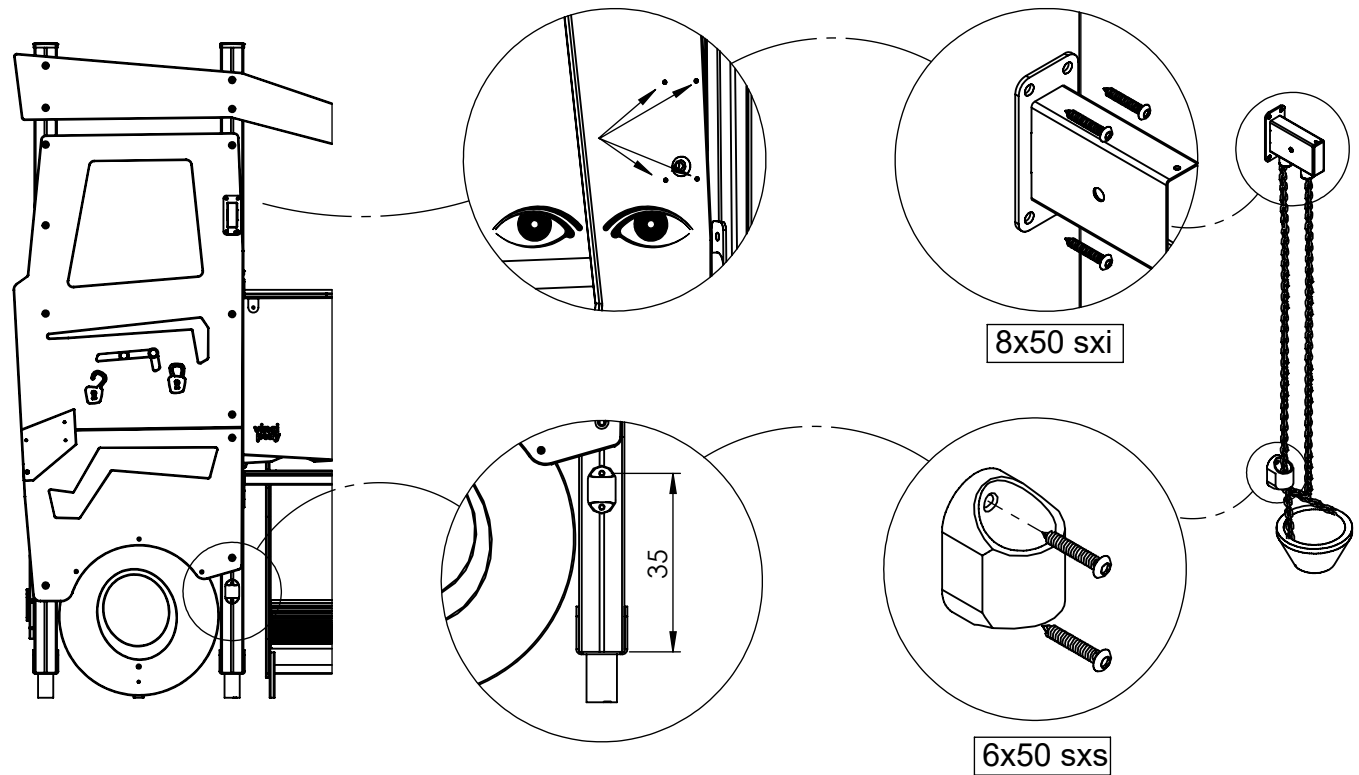
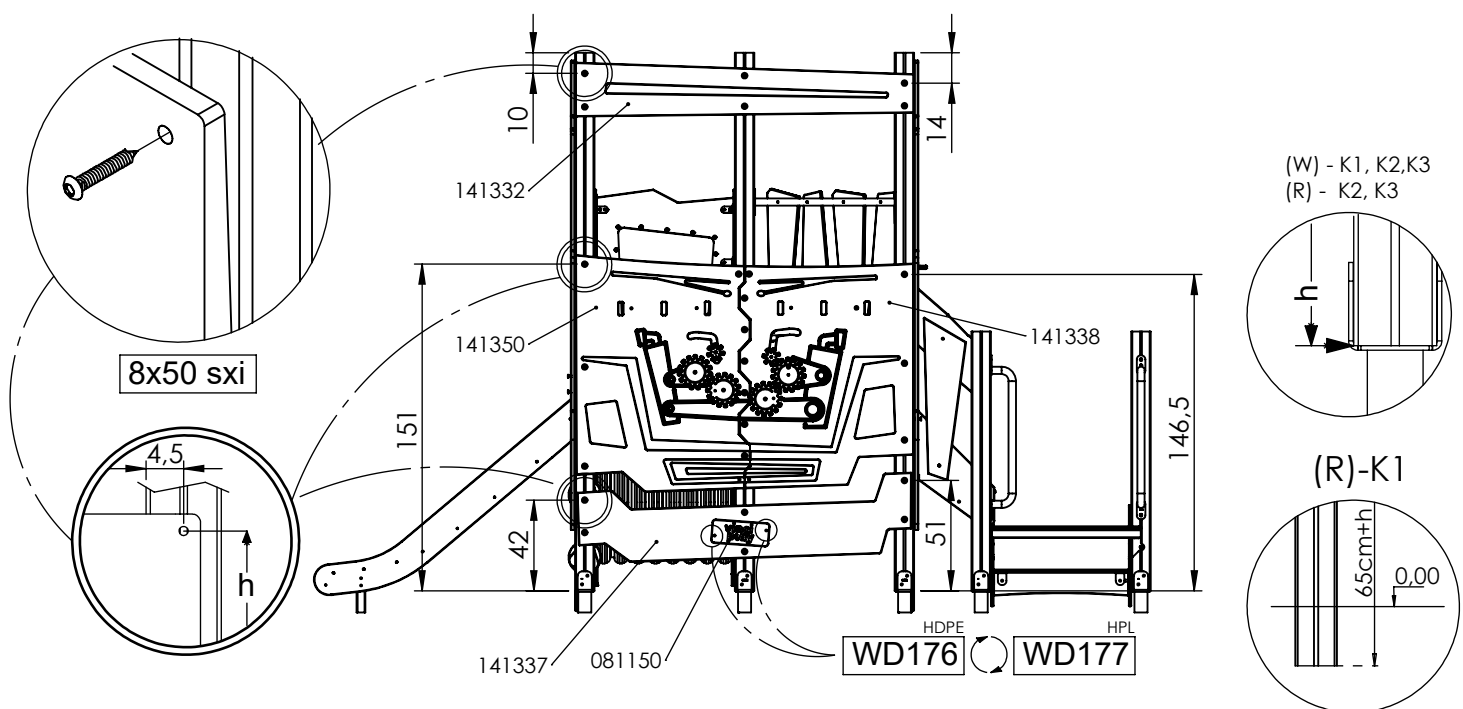
HDPE WD174 HPL WD173
WD174 Q



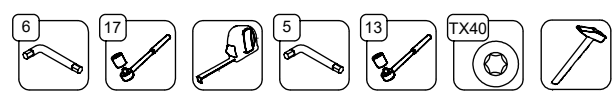
[cm]



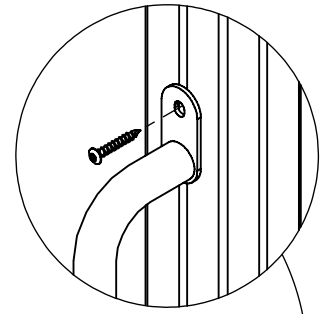
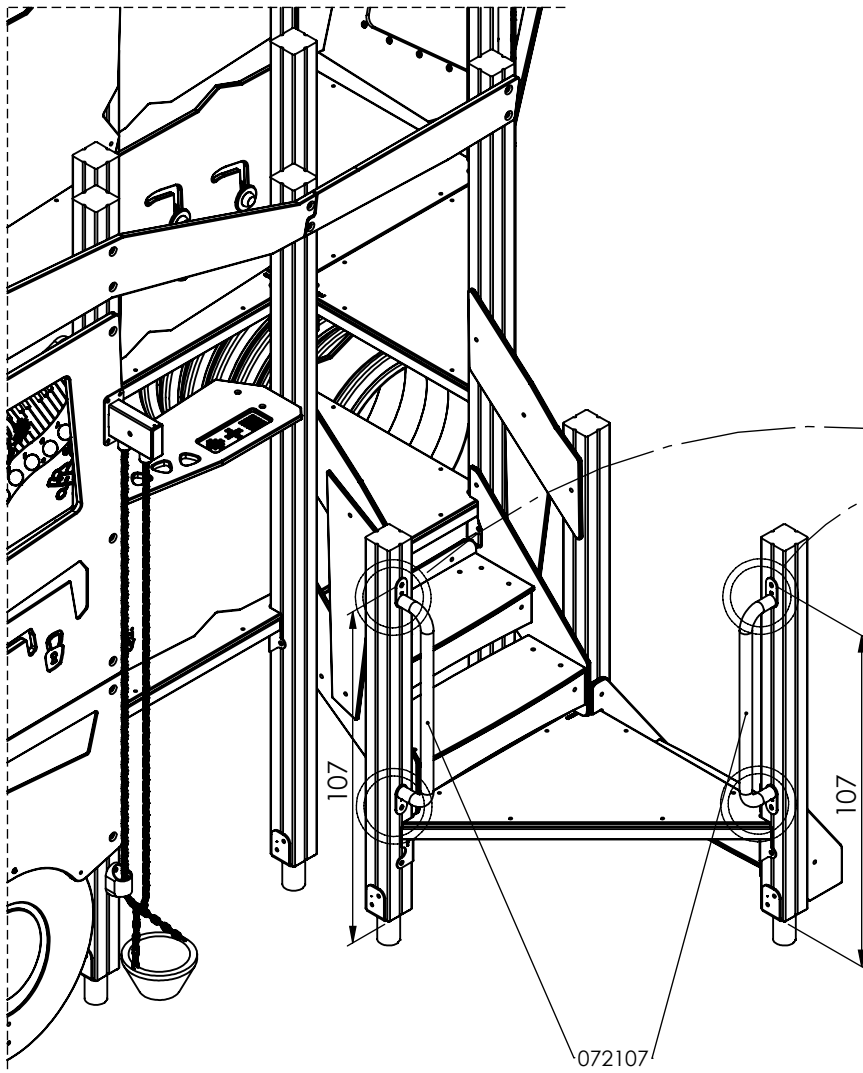
vinci play



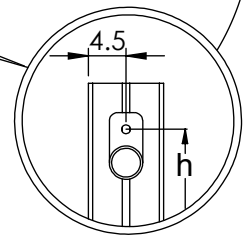
[cm]



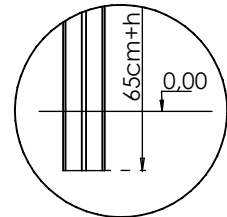
vinci play



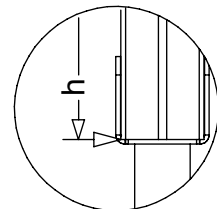
8x50 sxi



(R)-K1



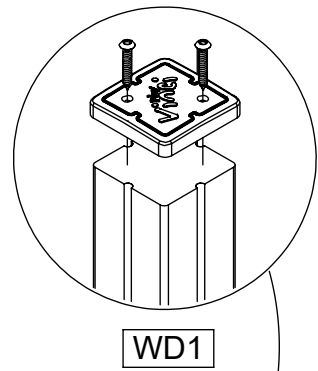
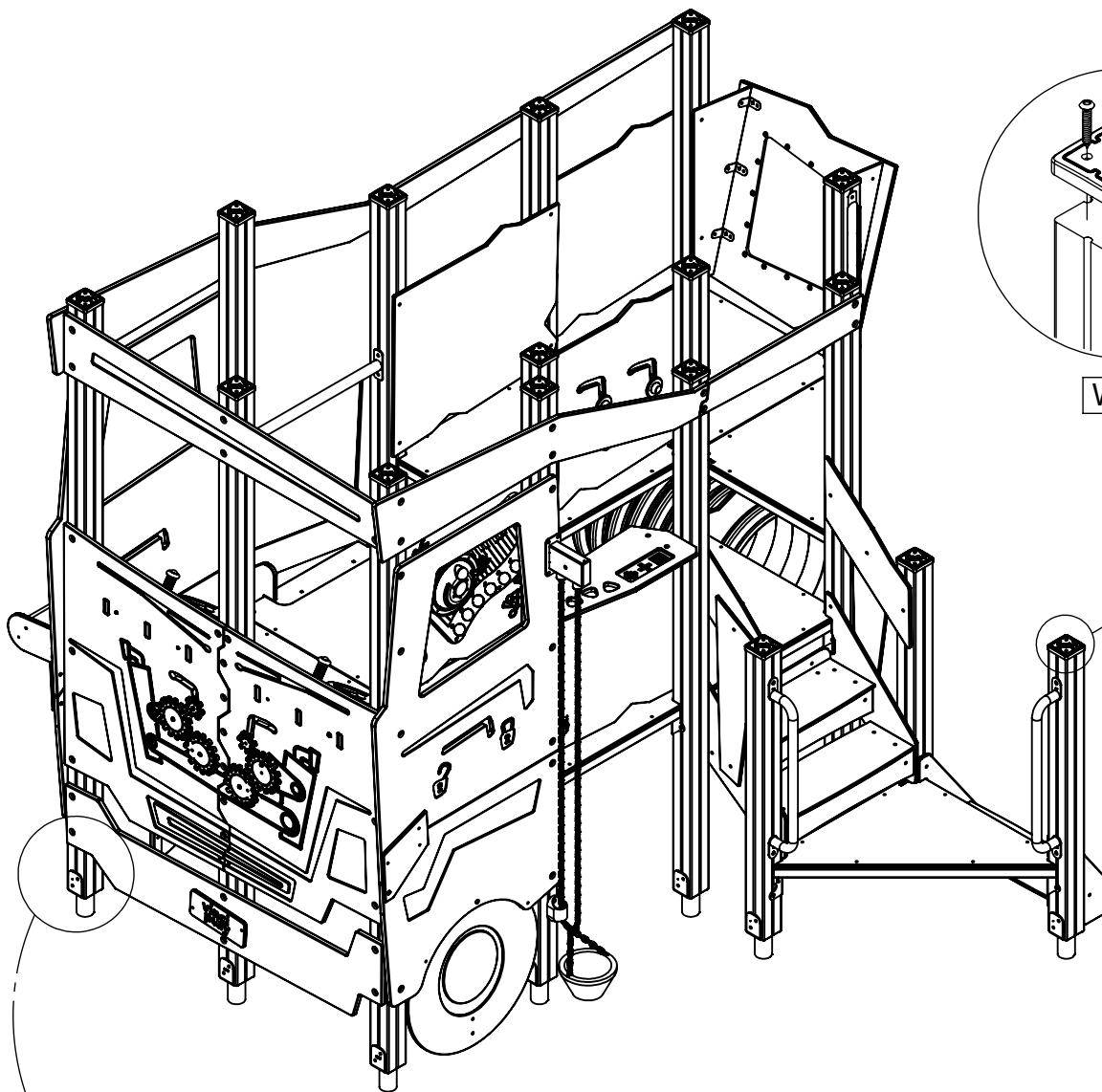
(W) - K1, K2, K3
(R) - K2, K3



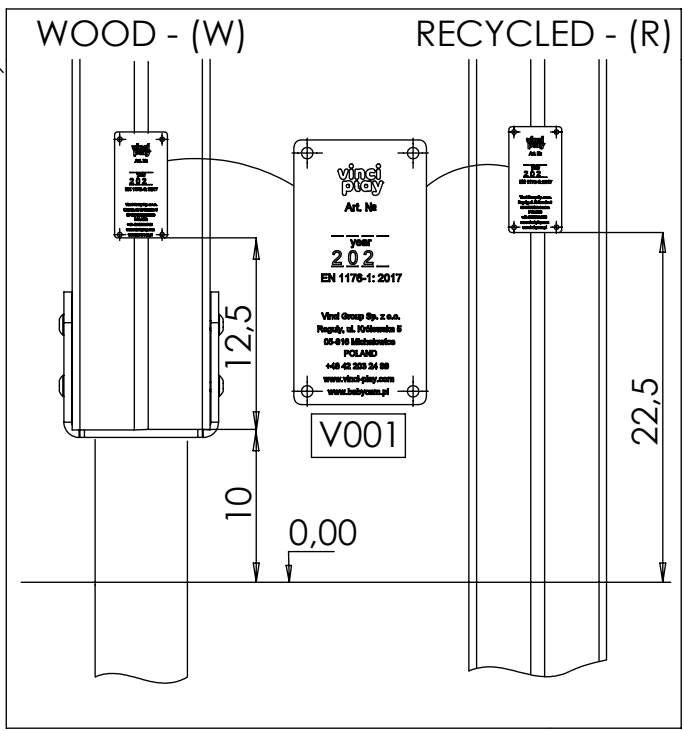
[cm]



vinci
play

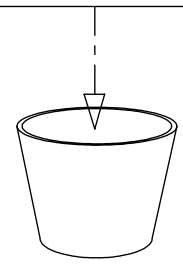


WD1

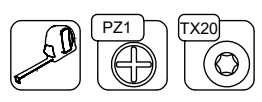


Part No:
000000-00000

000000-00000



[cm]



vinci play