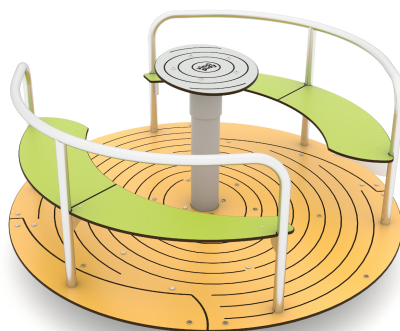


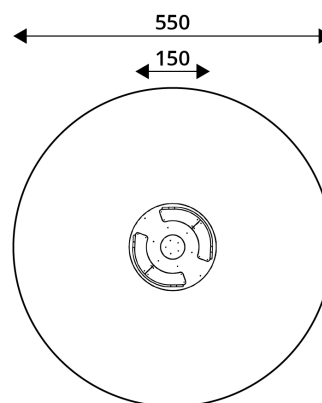
**HOOP 0706-1**

**CAROUSEL**



Safety zone	23,8 m <sup>2</sup>
Diameter	1,50 m
Total height	0,68 m
Free fall height	0,68 m
Age range	3-12 years
In accordance EN standards	1176-1:2017
Weight of the heaviest part [kg]	80
Dimension of the biggest part [cm]	148x148x1
Availability of spare parts	Yes

Minimal space



**MATERIAL SPECIFICATION**

- Steel structure powder galvanized and powder coated,
- Stainless steel handrails,
- Platforms and seats made of durable anti-slip and waterproof HPL plates,
- Screws covered with plastic caps or stainless steel screws.

**ADDITIONAL COMMENTS**

- equipment intended for public playgrounds;
- equipment has a certificate issued by an accredited entity or a declaration of conformity;
- no sharp edges or chinks that would pose a danger of jimming the head, fingers or any other body parts;
- anchoring on flat surface, 80/70/60 cm deep;
- render is for reference only, the actual appearance of the equipment and its color may vary;

**SURFACES**

Due to the free fall height of the equipment, the EN 1176-1:2017 standard allows the following surfaces: turf/ soil (A,B,C), sand with minimal layer thickness of 30 cm (A,C), synthetic material approved for free fall of 1,00 m (A,B,C).

