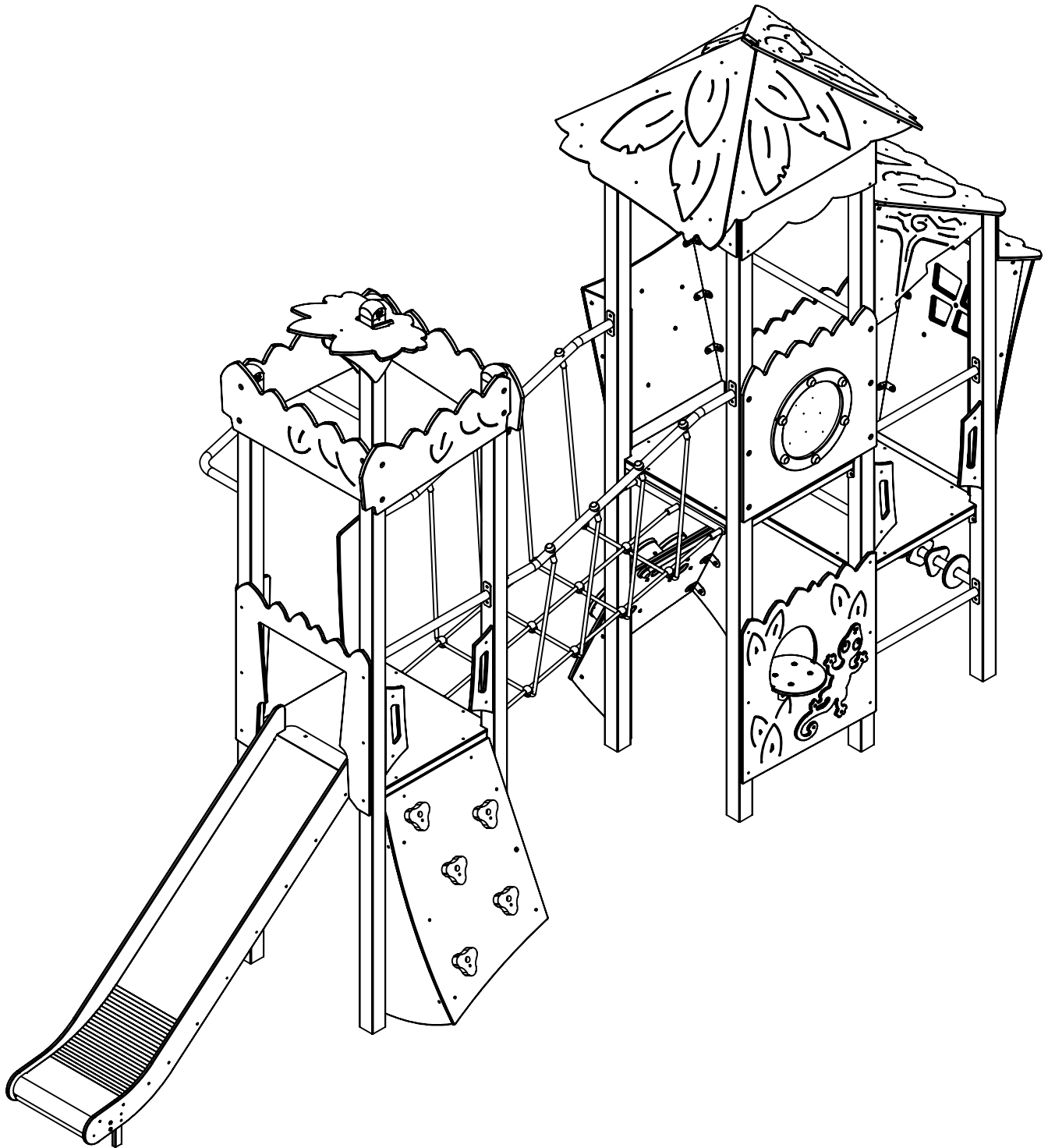


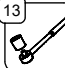

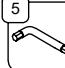
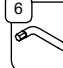





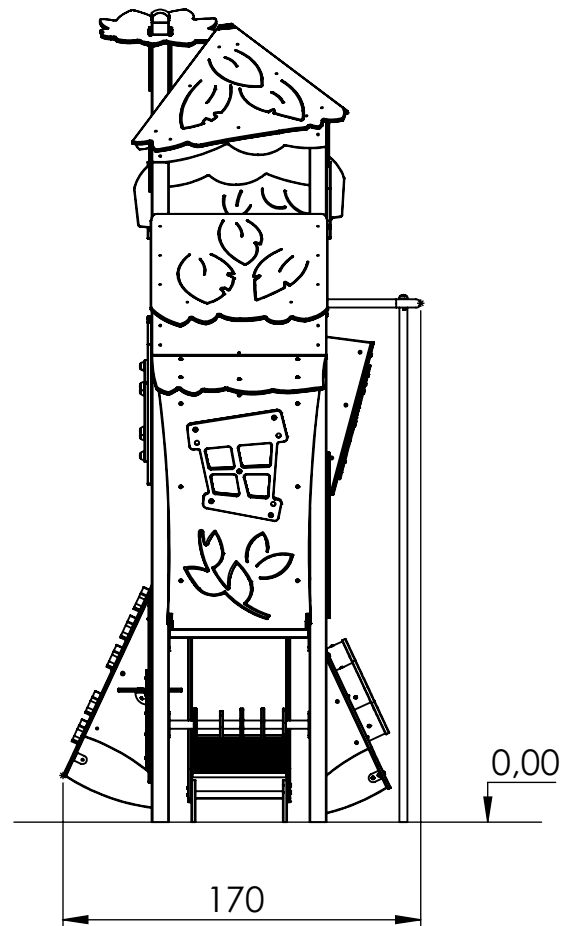
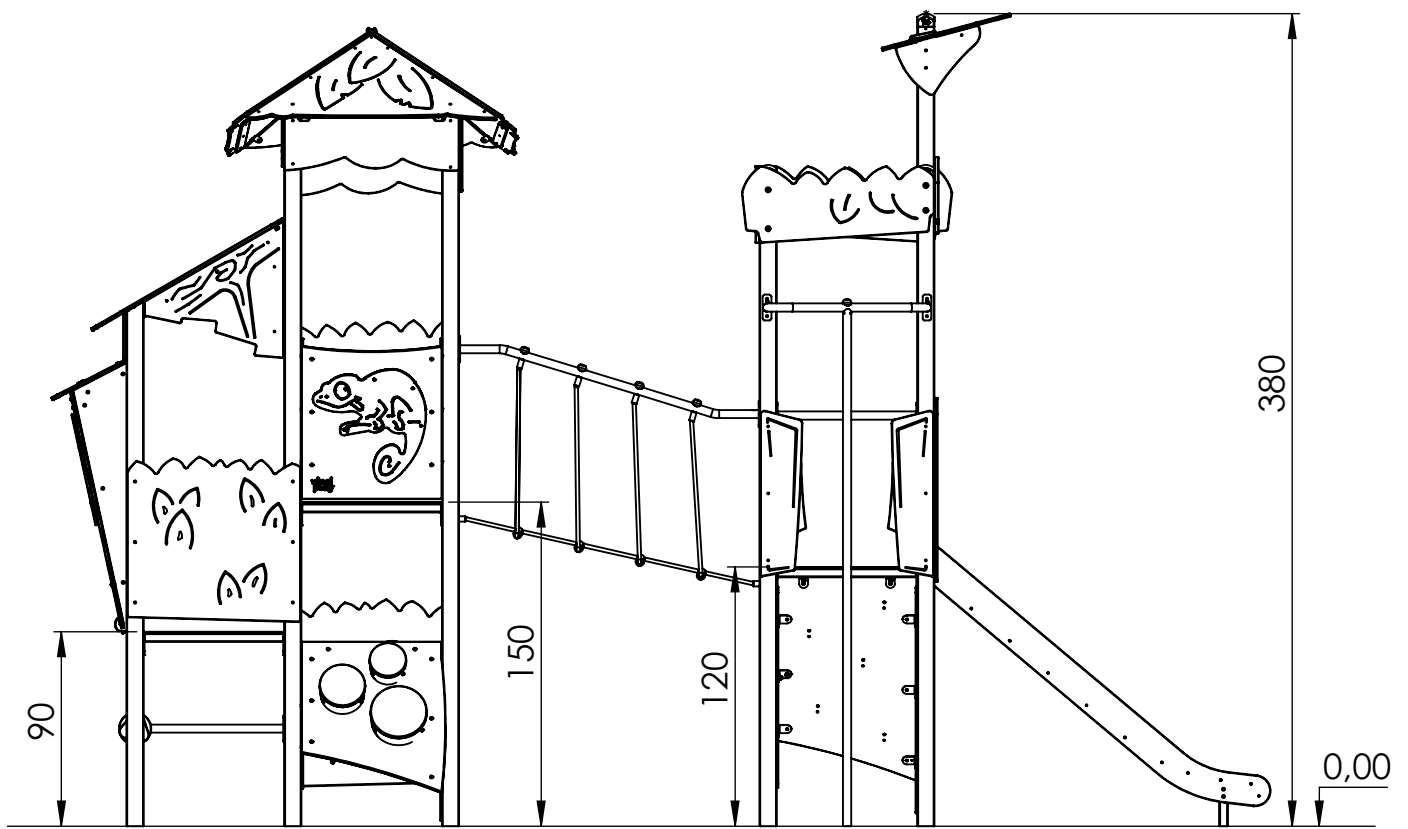
3204



v010
14.03.2024
K. M.
[cm]

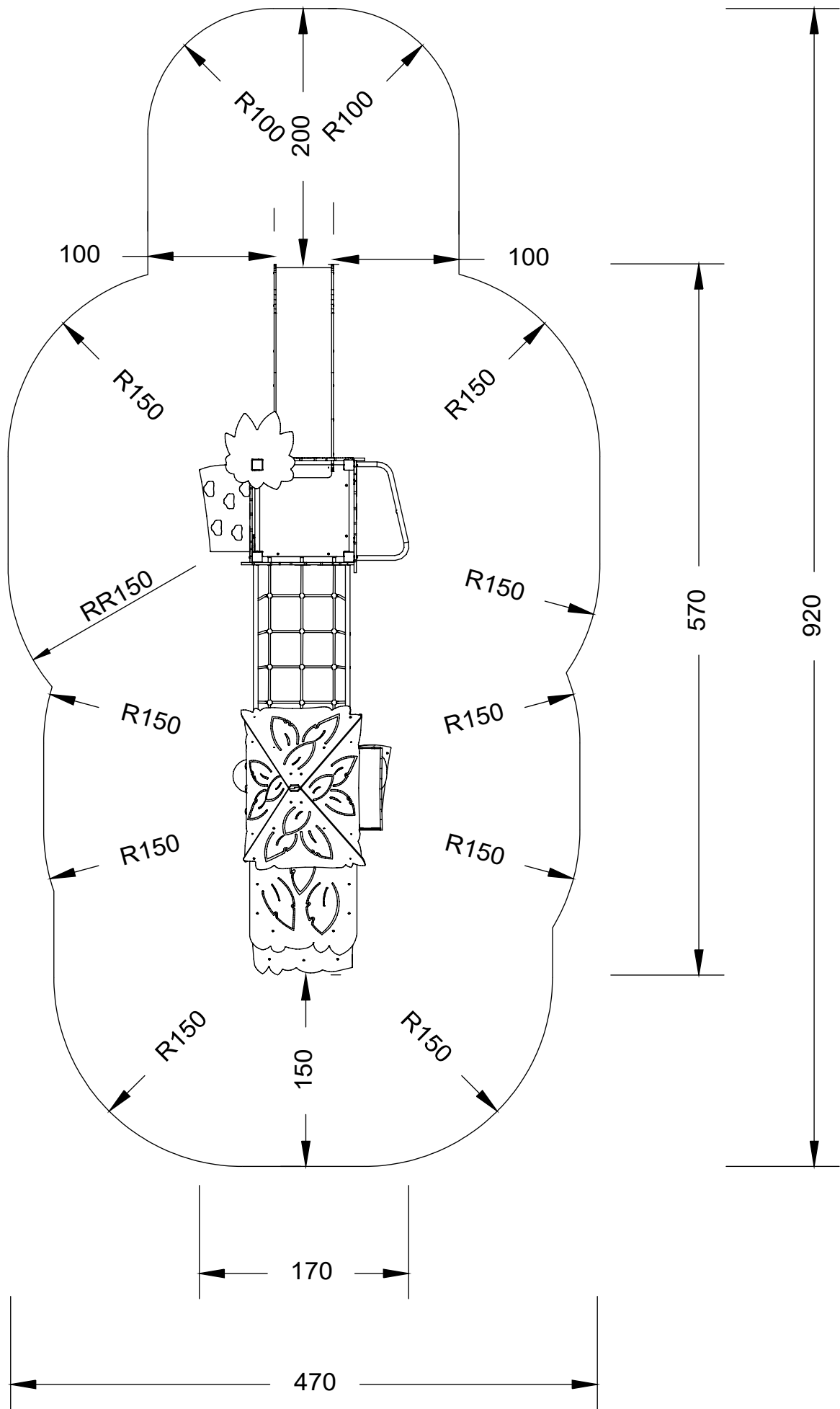
 x2	5,5 h	150 HIC	48h 	K1 x13 >0,06m ³	K2/K3 x13 >0,10m ³	
 13	 17	 5	 6			

vinci
play

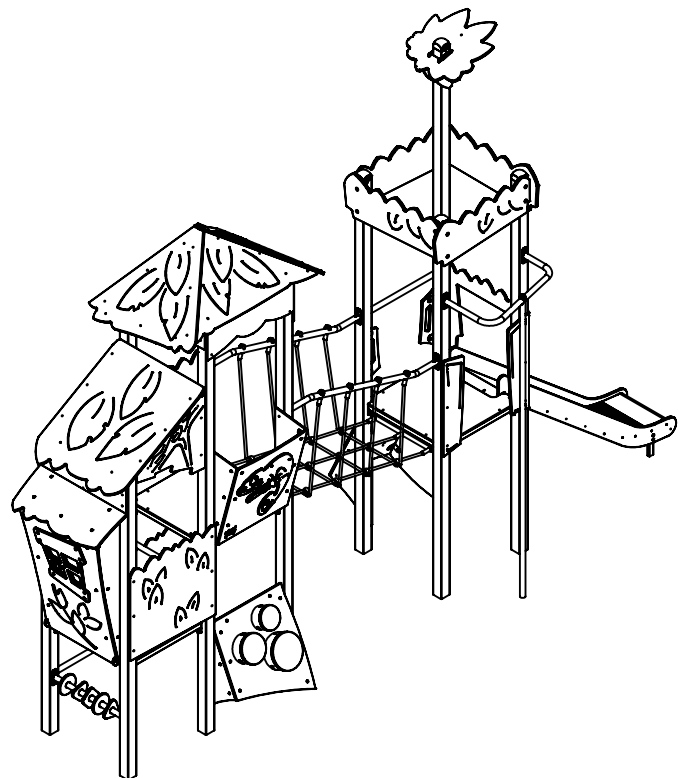
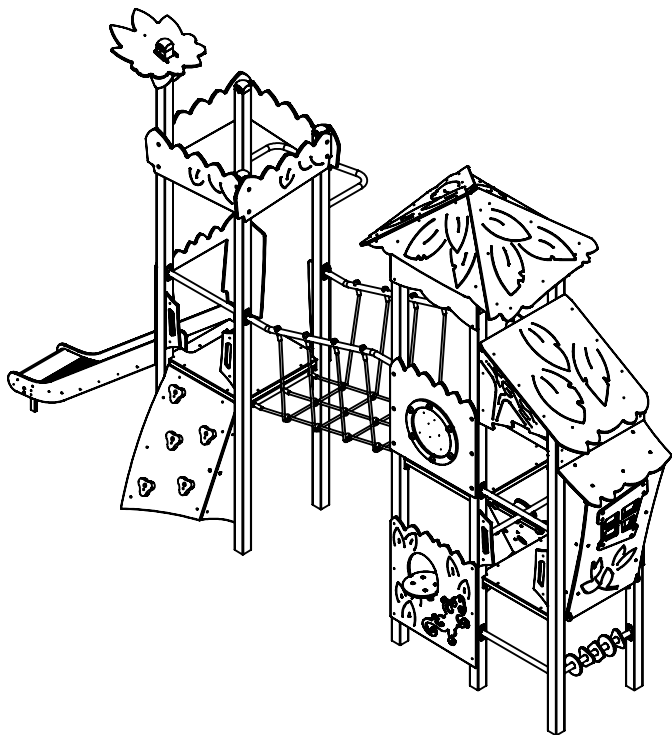
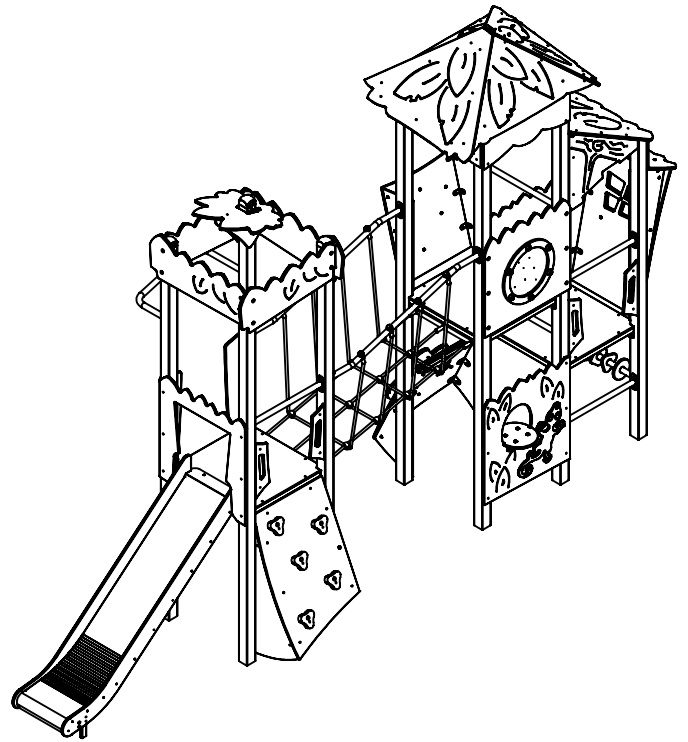
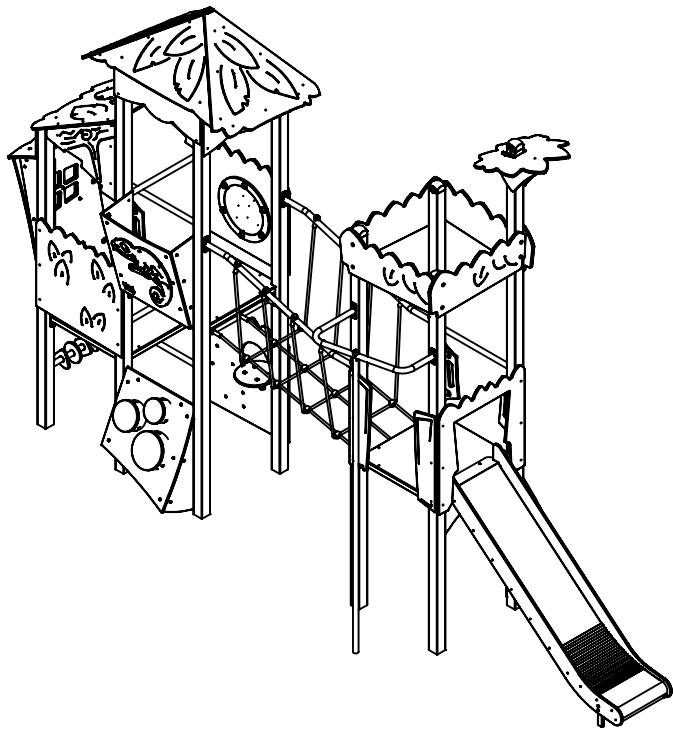


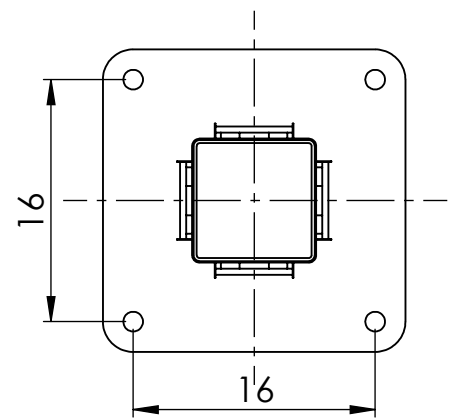
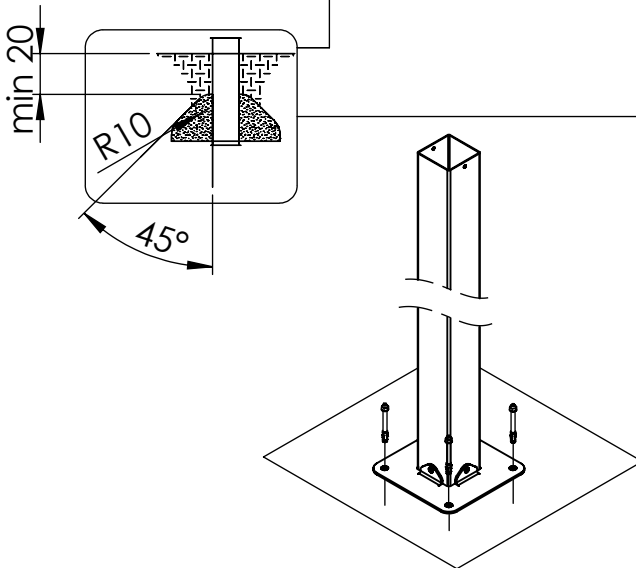
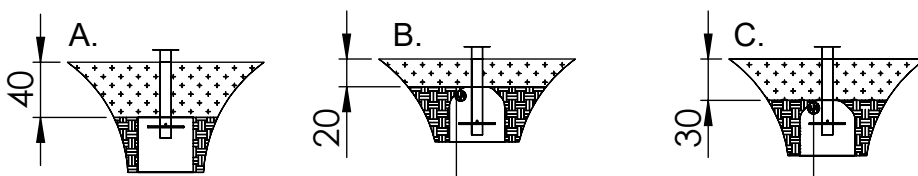
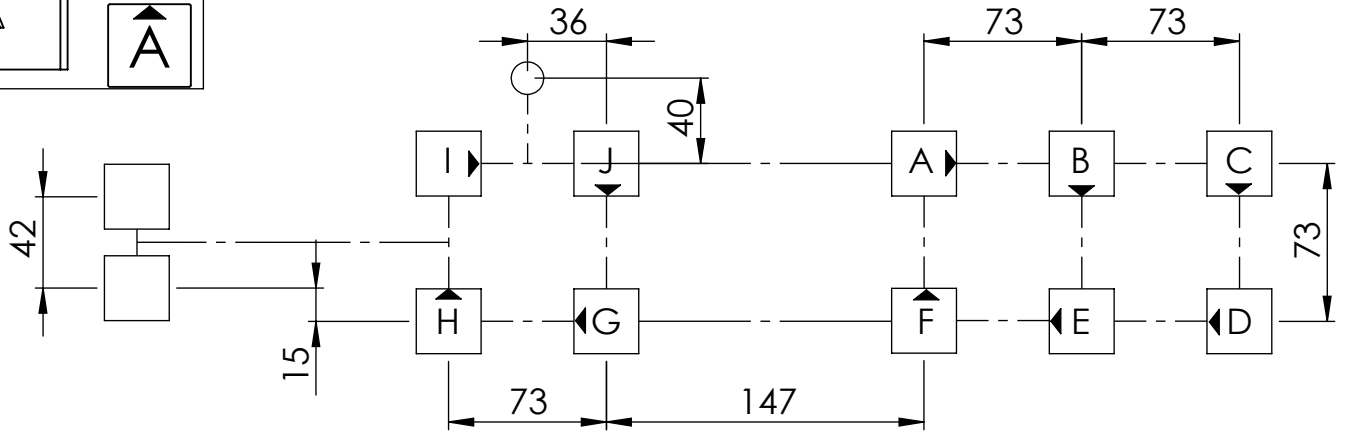
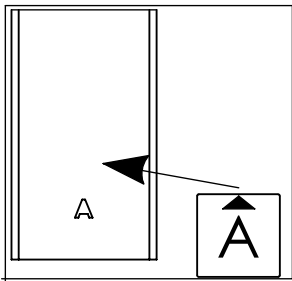
[cm]

vinci
play



[cm]





K2

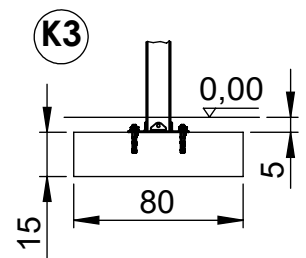
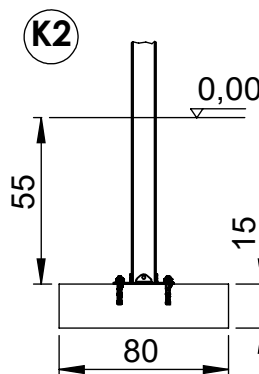
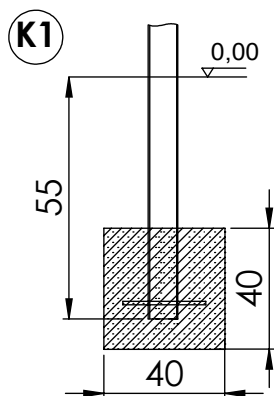
M10x120 x40
M8x120 x4

NOT INCLUDED

K3

M10x120 x44
M8x120 x2

NOT INCLUDED



[cm]



04-A
x1



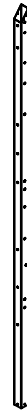
04-B
x1



04-C
x1



04-D
x1



04-E
x1



04-F
x1



04-G
x1



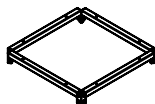
04-H
x1



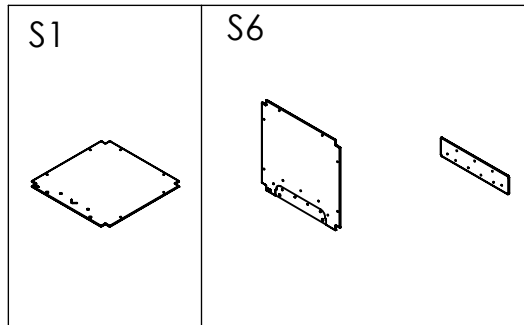
04-I
x1



04-J
x1



172100
x3

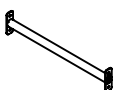


171122
x1

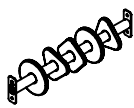
171234
x1

171233
x1

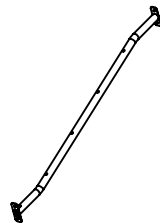
171123
x2



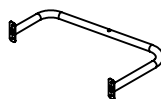
142117
x5



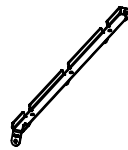
144126
x1



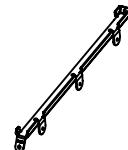
142138
x2



142131
x1



b676
x1



b677
x1



b681
x1



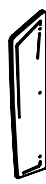
991301
x2



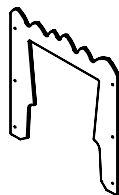
321101
x1



301150
x1



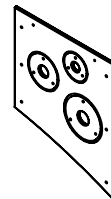
301166
x1



321114
x1



171137
x4



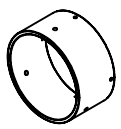
171119
x1



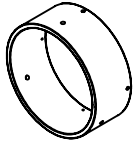
171118
x1



171117
x1



996228
x1



996229
x1



996230
x1



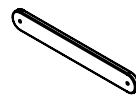
171125
x1



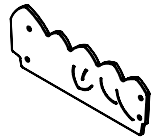
171126
x1



171127
x1



171146
x1



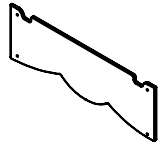
321197
x4



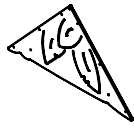
321121
x1



321123
x1



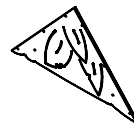
321122
x2



321118
x1



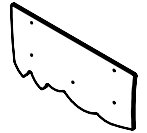
321119
x2



321120
x1



321110
x1



321113
x1



321116
x1



321115
x1



321106
x1



141137
x2



321133
x1



321125
x1



301147
x1



321105
x1



341155
x1



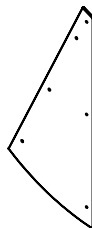
341156
x1



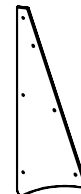
321109
x1



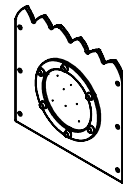
321112
x1



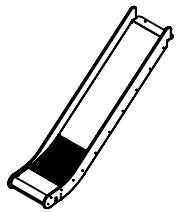
171109
x1



171110
x1



321117
x1



994104
x1

K1, K2

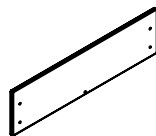


992120
x1

K3



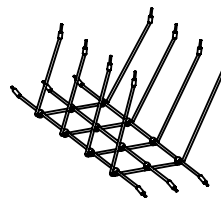
992121
x1



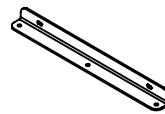
301199
x1



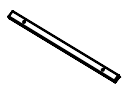
301149
x2



145141
x1



b144
x2



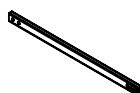
991302
x1

K2, K3



b231
x10

K1, K2

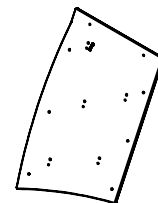


P78
x2

K3



b219-2
x2



171111
x1

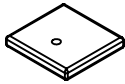


321126
x1



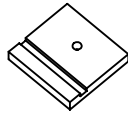
171115

x2



021149

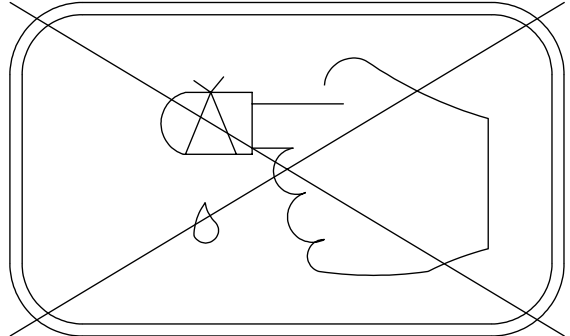
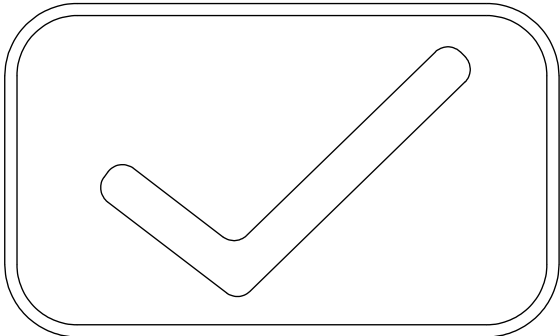
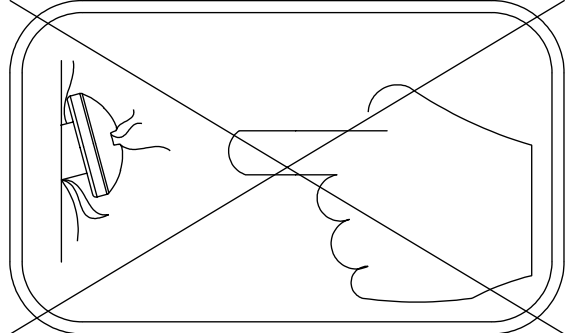
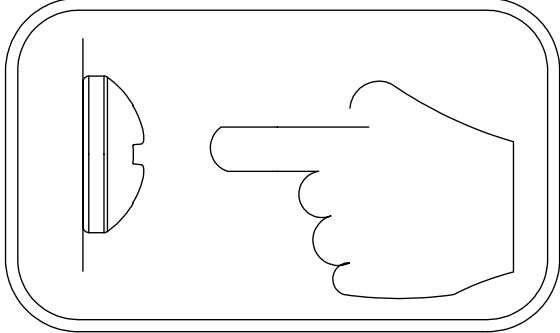
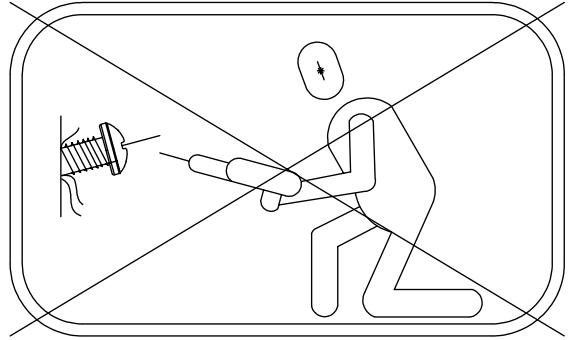
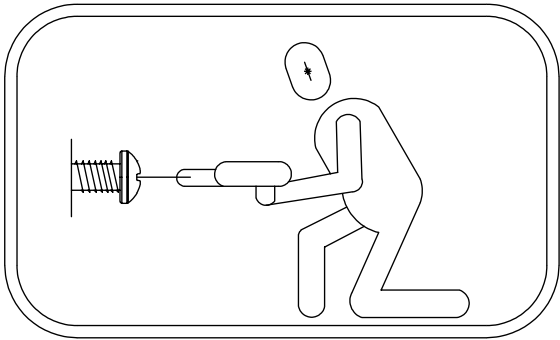
x1

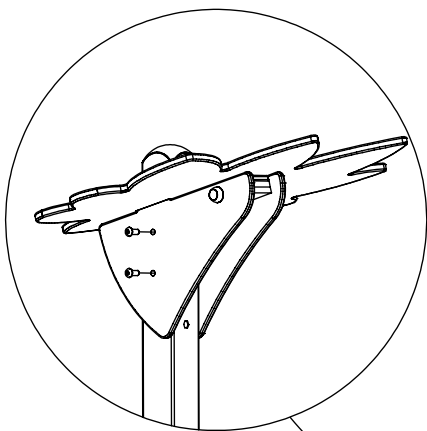
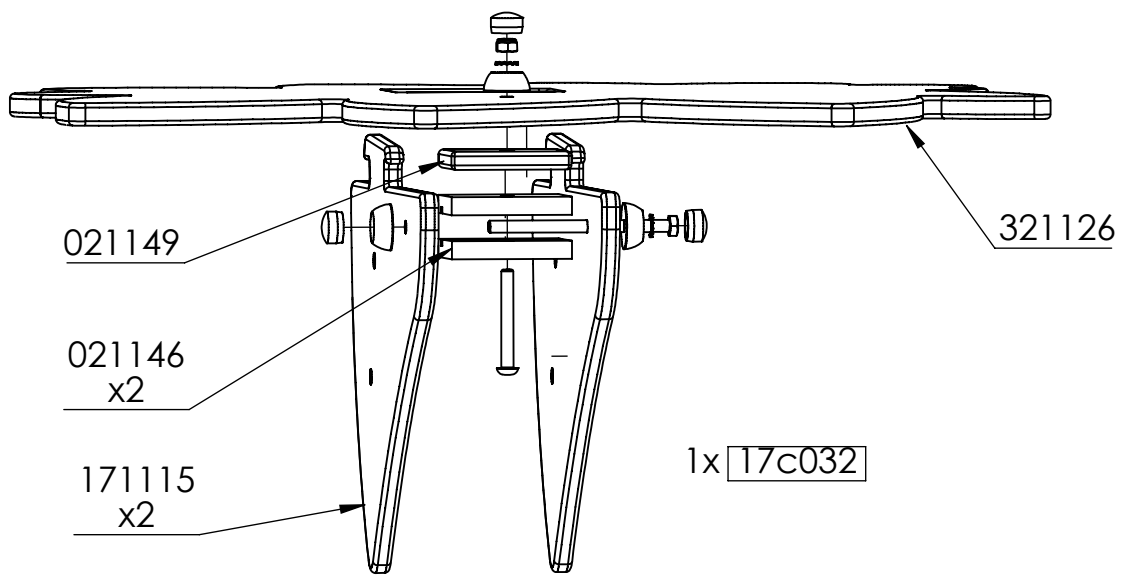


021146

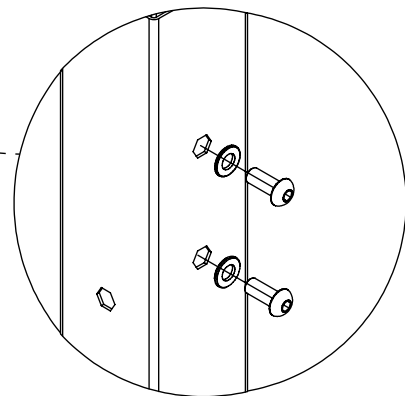
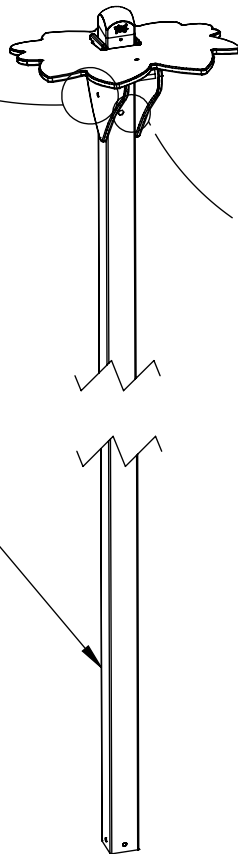
x2

Qty.	
30	8x25 ikl
58	8x30 ikl
74	10x25 ikl
4	10x30 ikl
30	10 pp
1	E34 _{K1,K3}
1	E35 _{K2}
1	E38 _{K2,K3}
40	10x20 m _{K2,K3}
40	10 pp _{K2,K3}
40	10 nh _{K2,K3}
1	30c124
2	17c004
1	17c026
1	17c018
1	30c056
1	c116
2	30c114
1	30c012
1	30c070
1	30c068
2	30c112
1	30c058
2	30c152
1	17c032
2	WD14-4
1	17e031
1	E39
2	17p037
1	17p001
1	17p005
1	17p007
1	30c154
1	17p021
1	17p015
1	17p013
1	30c120
1	17p017 _{S1}
1	17p019 _{S6}
1	17p061 _{S6}
1	v001-3



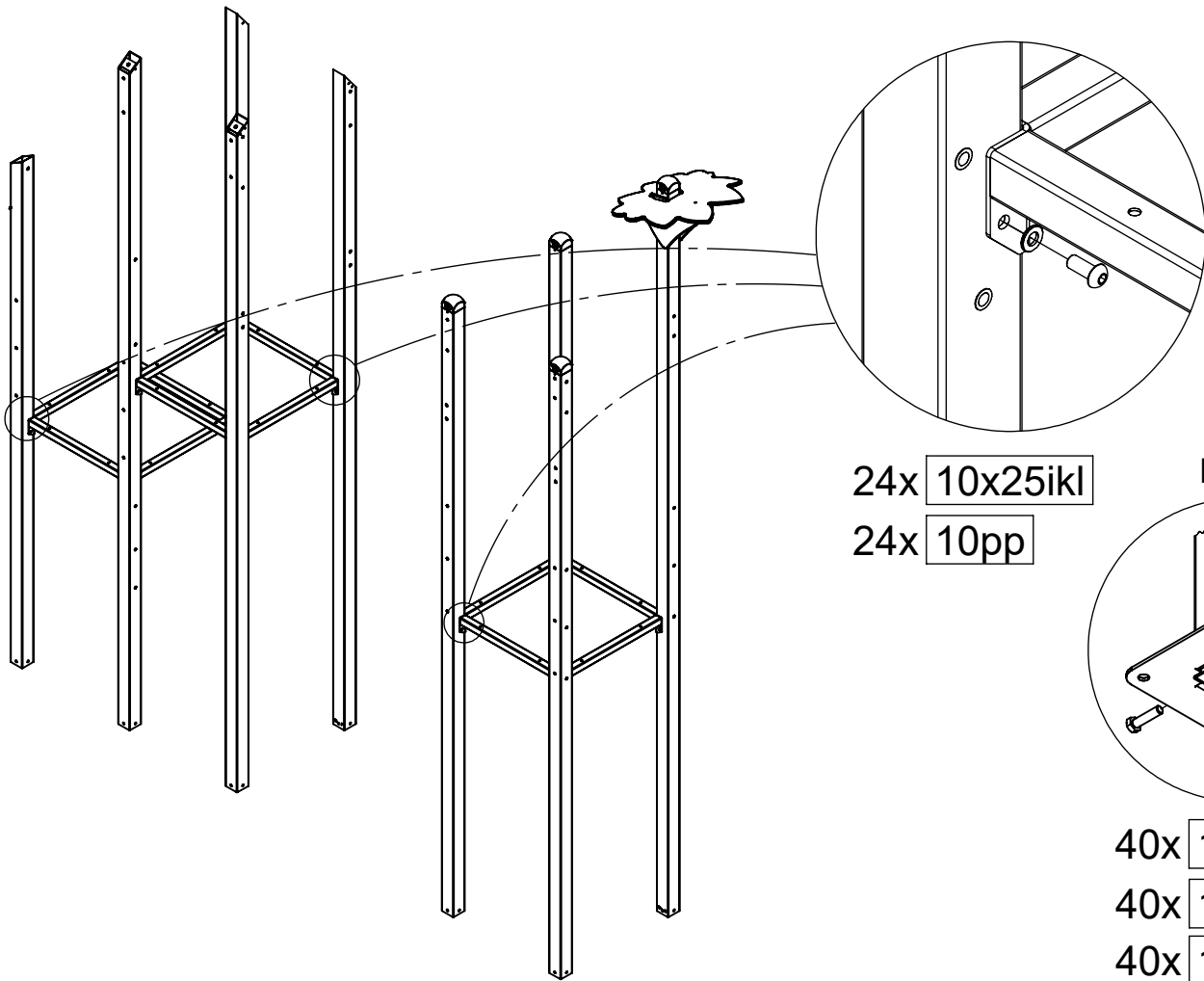


4x 10x25ikl



2x 10x25ikl

2x 10pp



24x 10x25ikl

24x 10pp

K2, K3

40x 10x20m

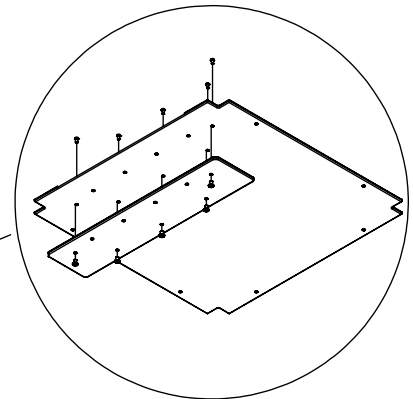
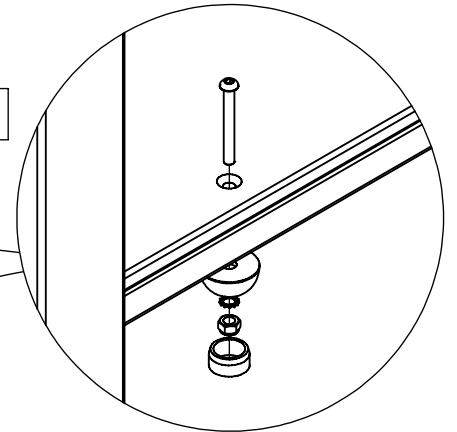
40x 10pp

40x 10nh

1x 17p001

1x 17p005

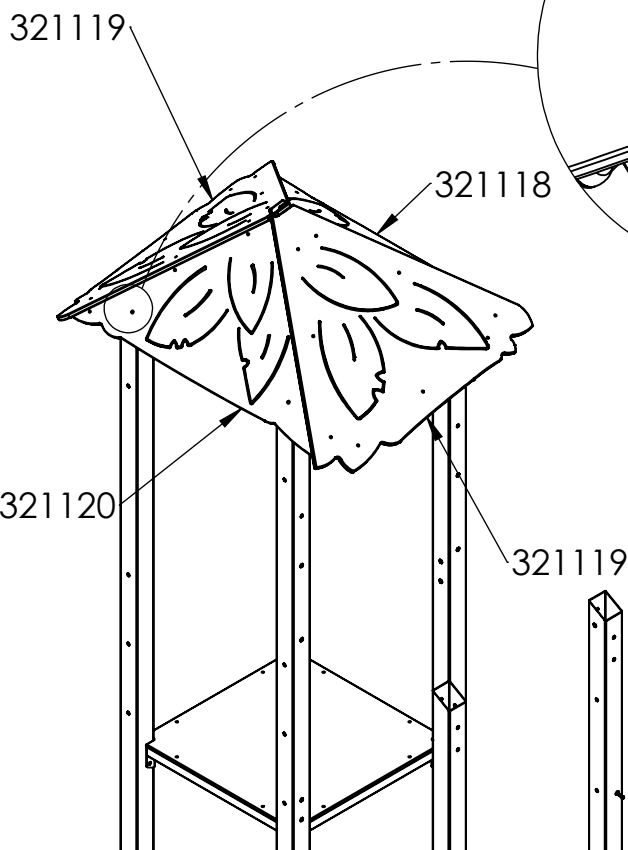
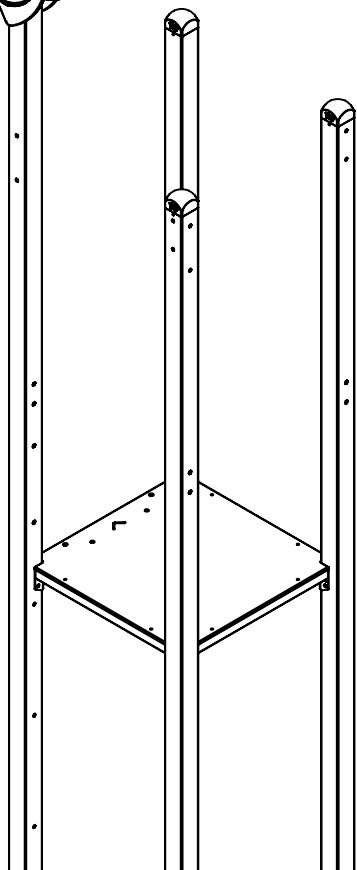
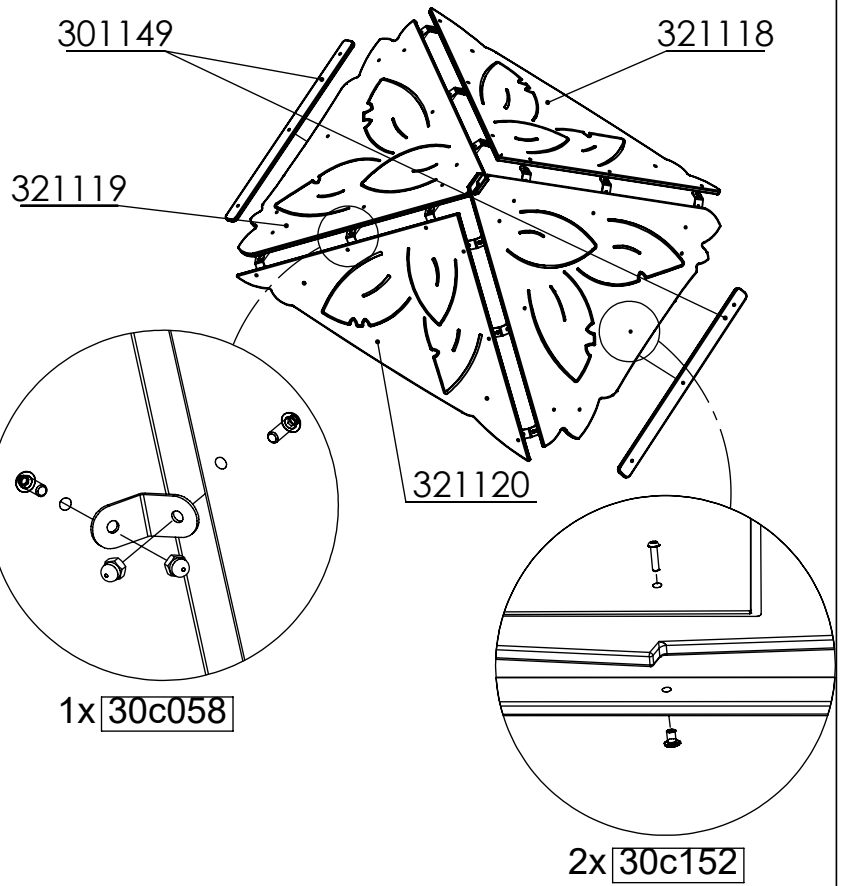
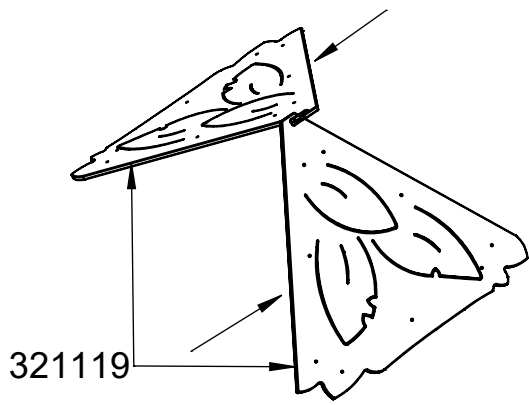
1x 17p007



1x 17p061^{S6}

[cm]

vinci
play



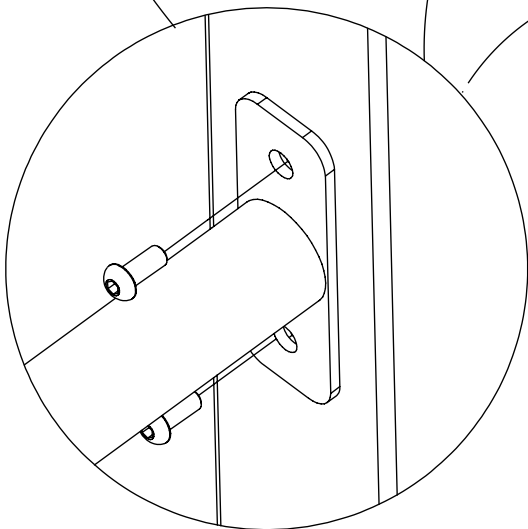
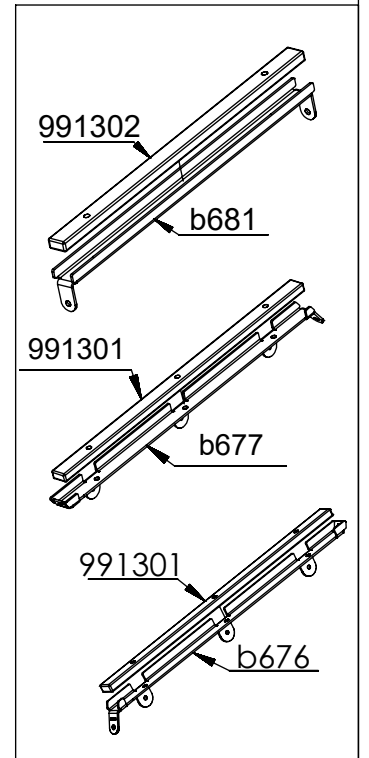
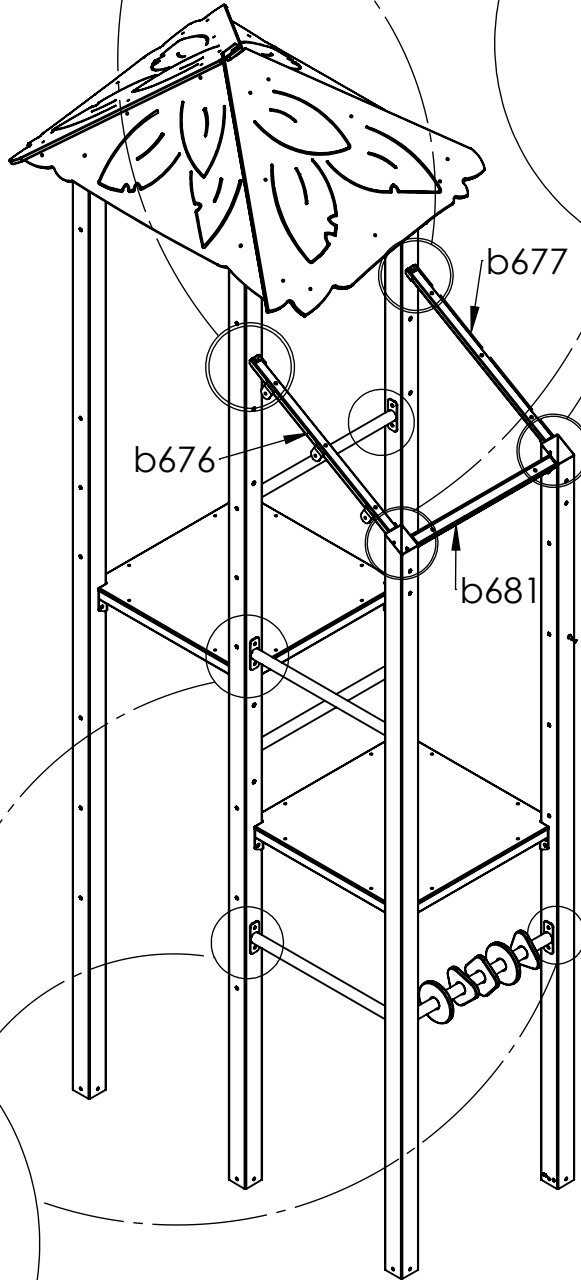
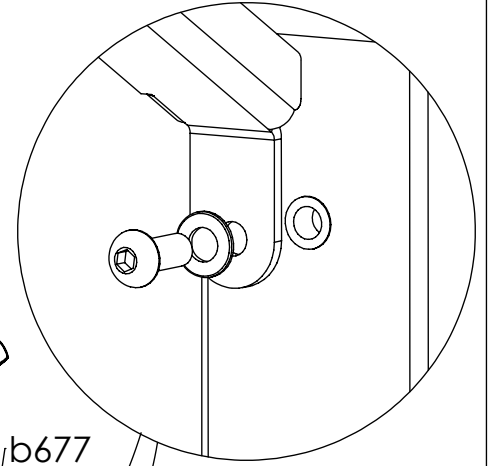
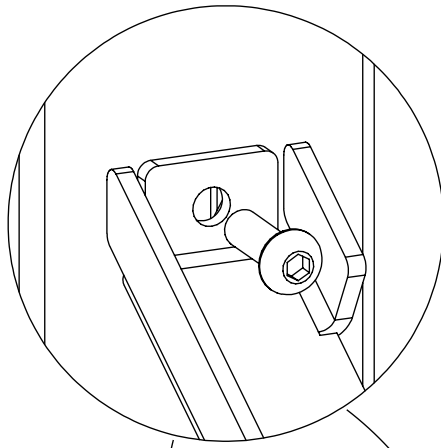
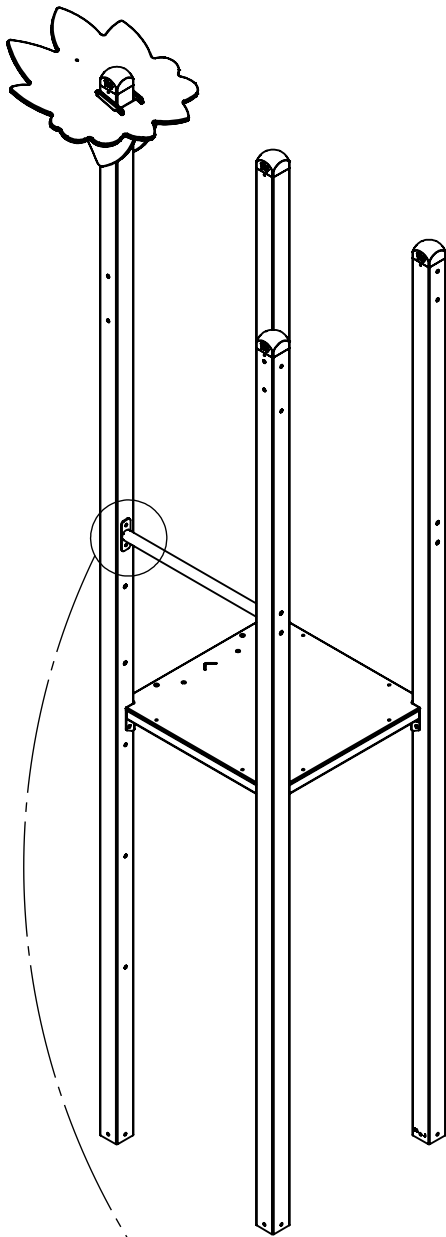
[cm]

vinci
play

2x 8x25ikl

4x 10x25ikl

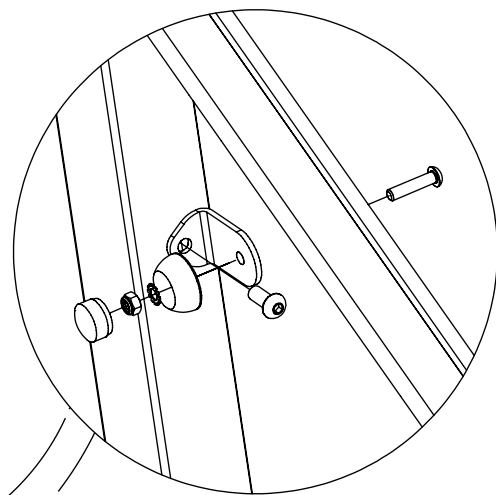
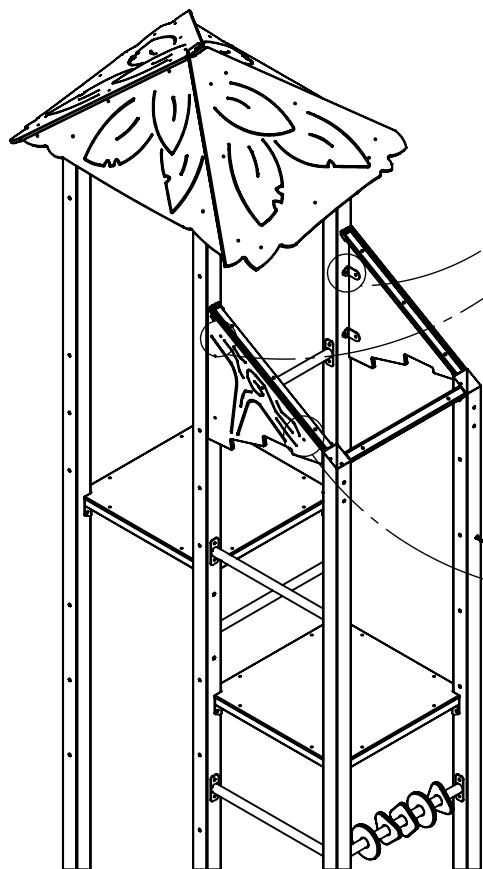
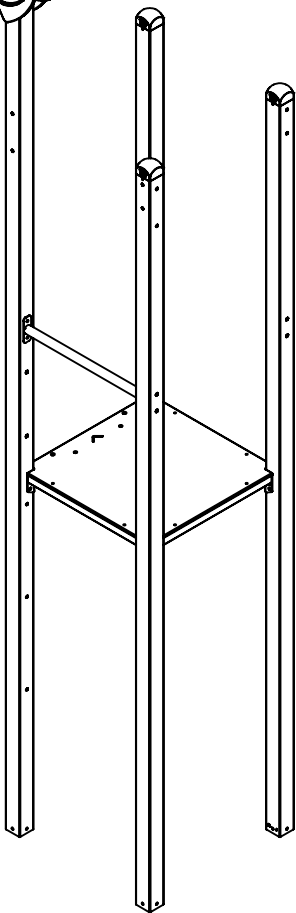
4x 10pp



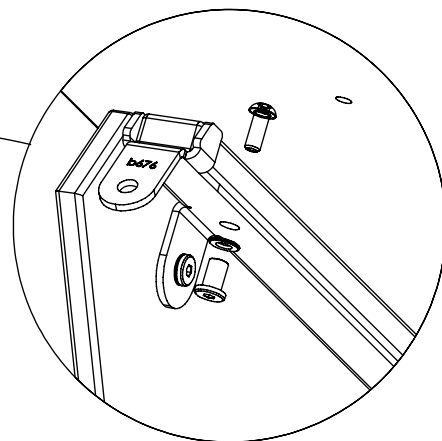
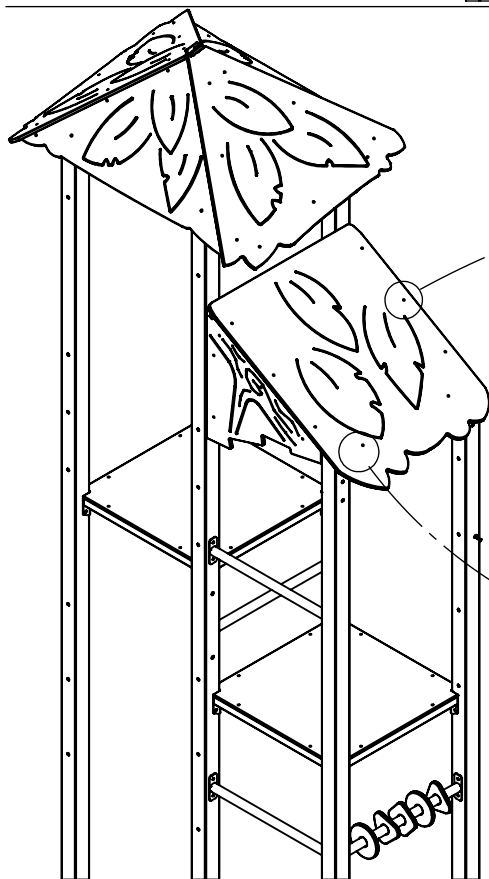
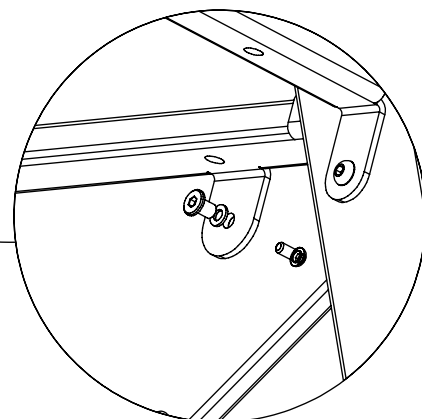
[cm]

24x 10x25ikl

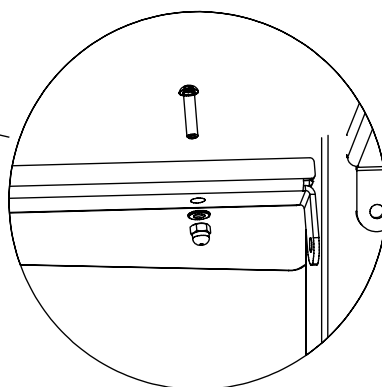
vinci play



2x 30c112



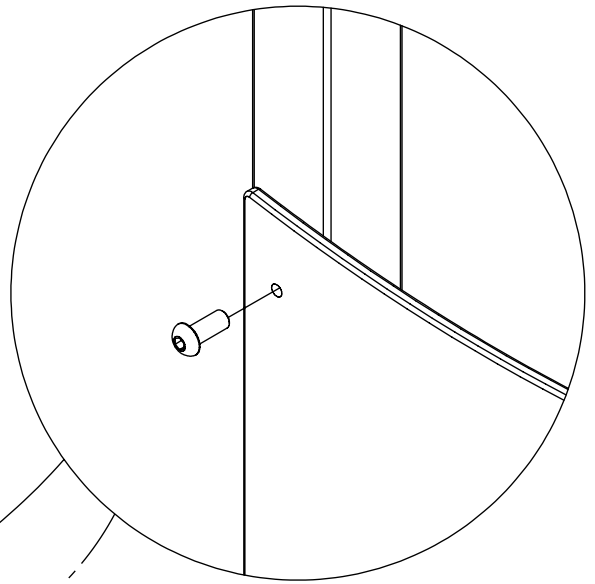
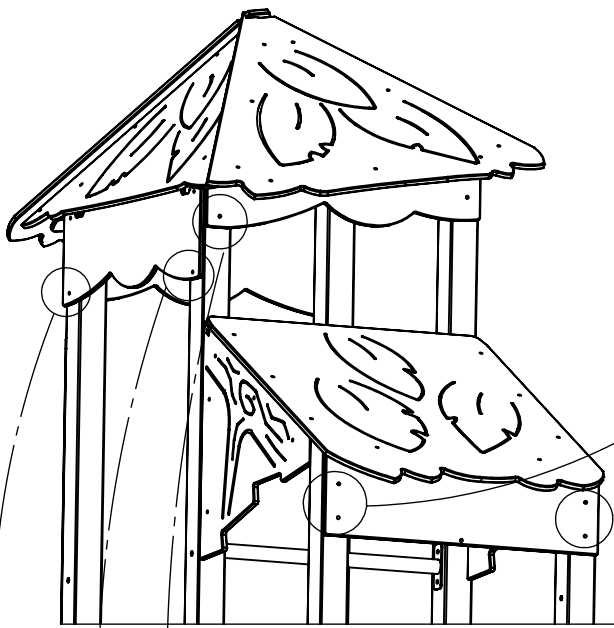
1x 30c070



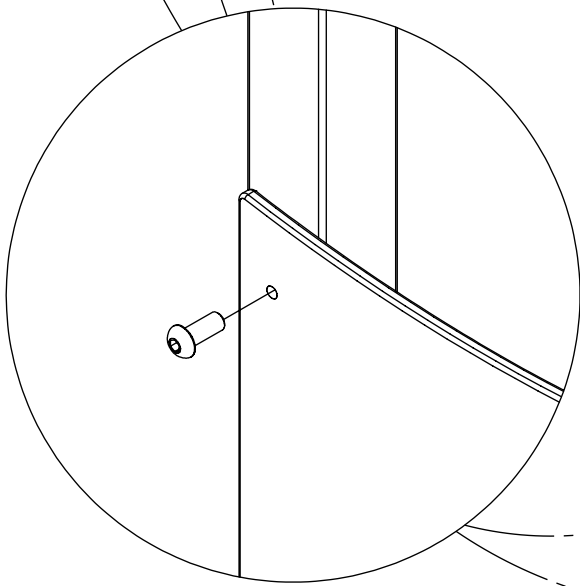
1x 30c068

[cm]

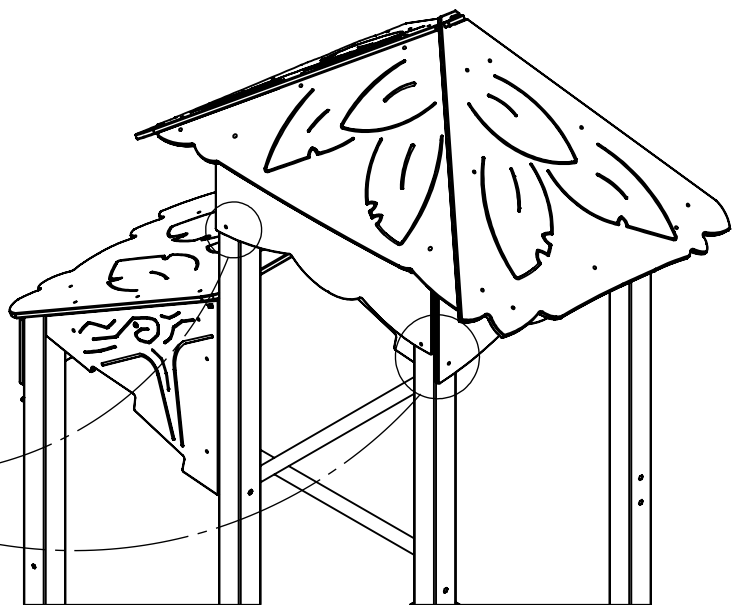
vinci play



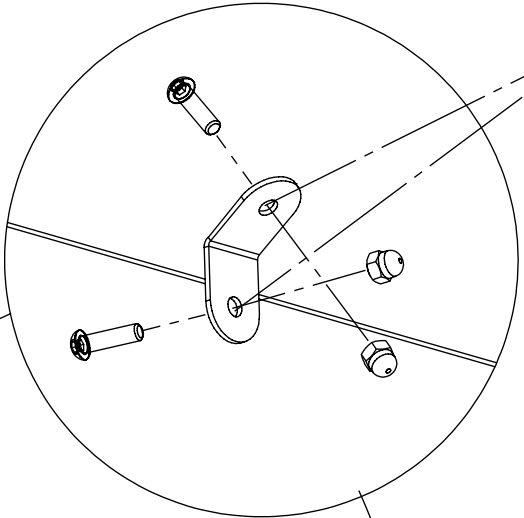
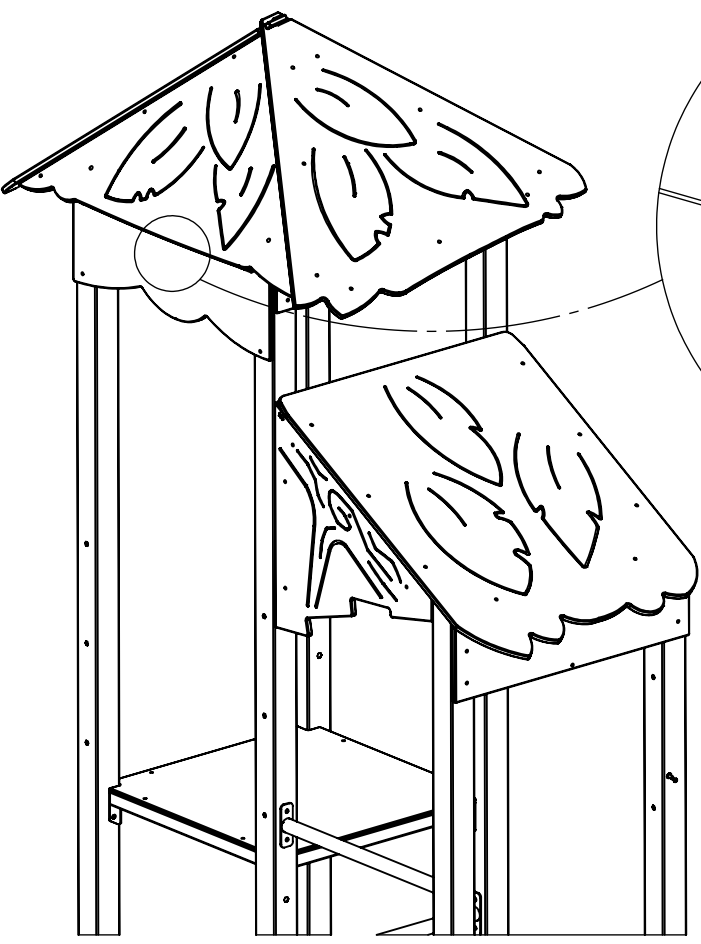
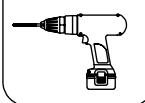
4x 8x30i



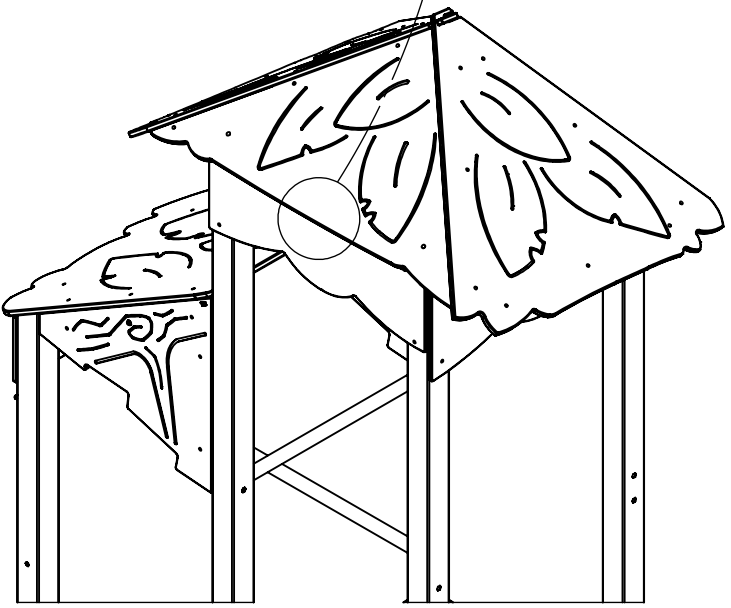
16x 8x25i



Ø8,5



1x 30c154

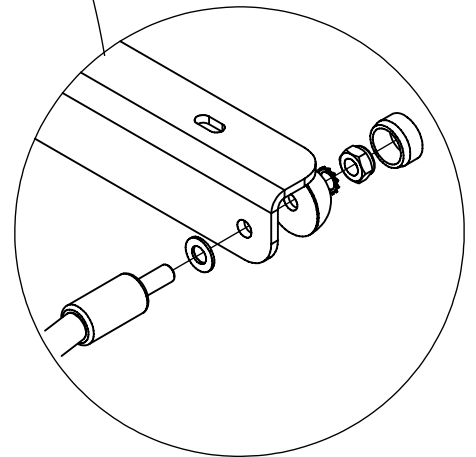
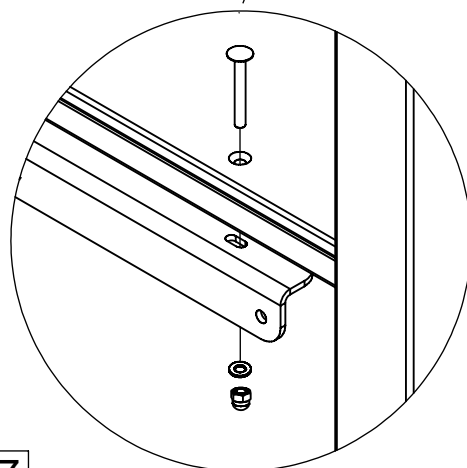
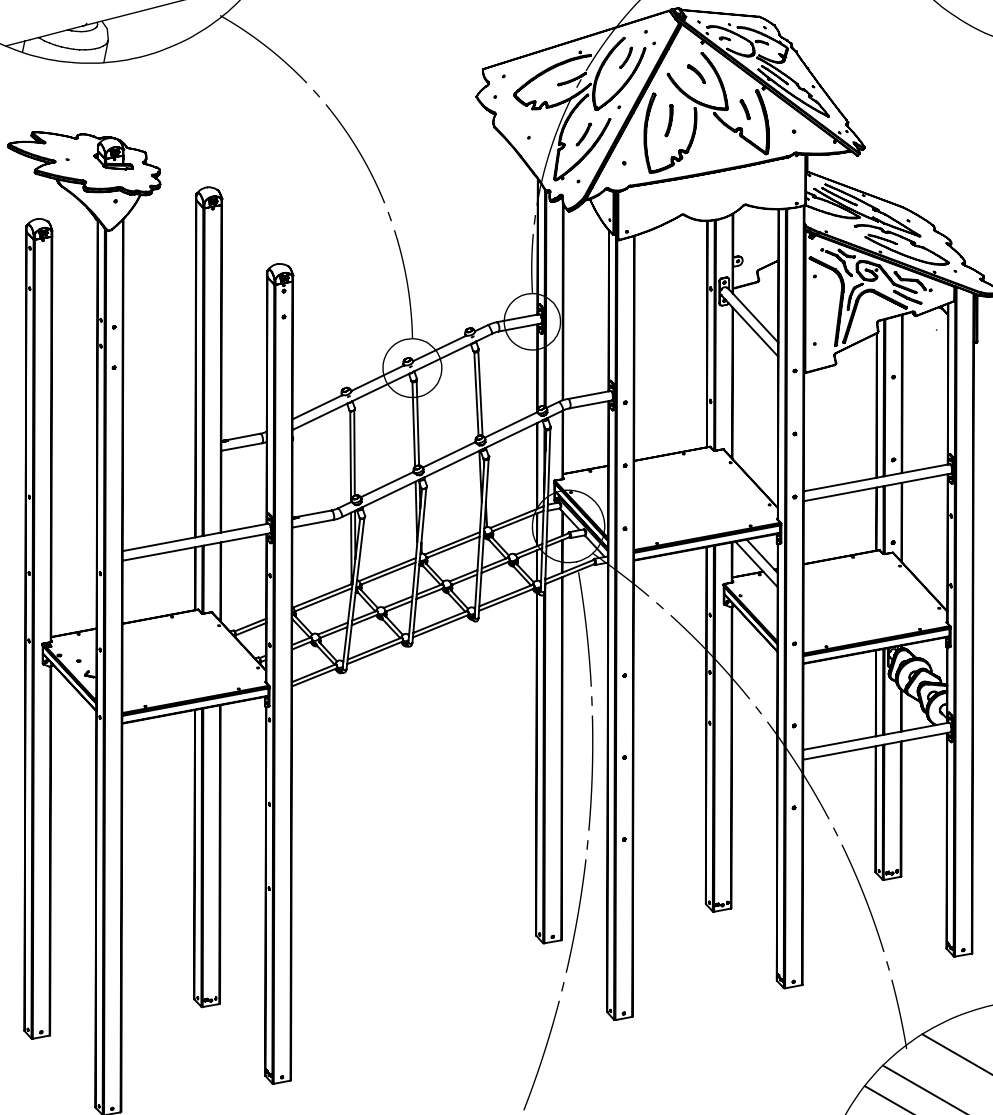
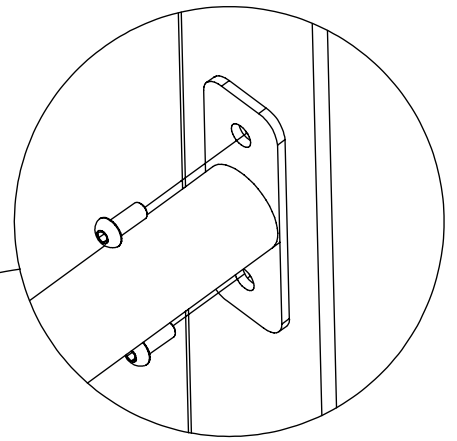
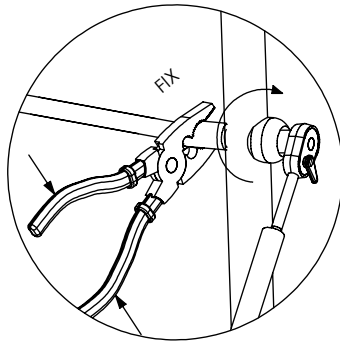
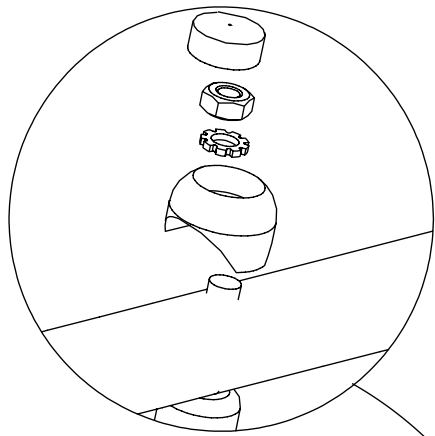


[cm]

vinci
play

2x WD14-4

8x 10x25ikl

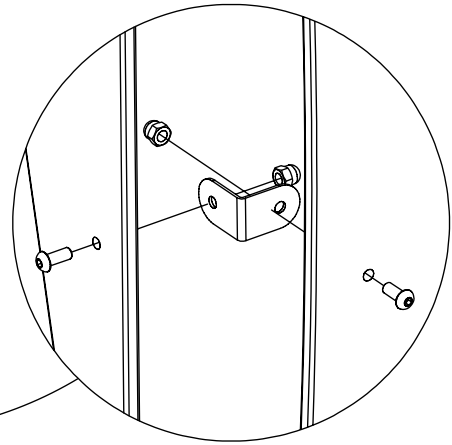
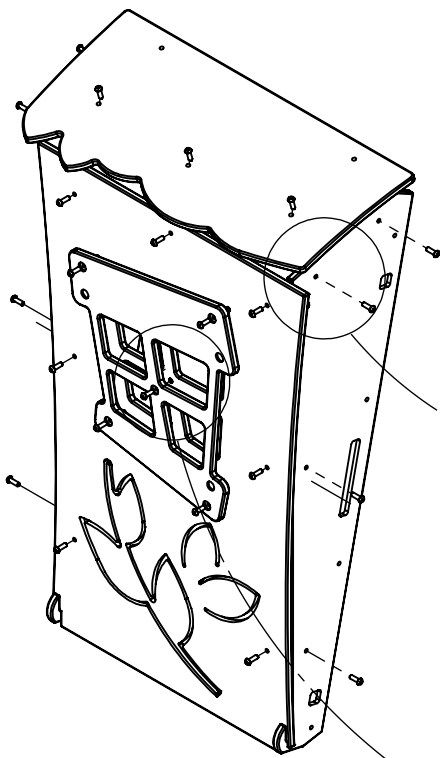


1x 17e031

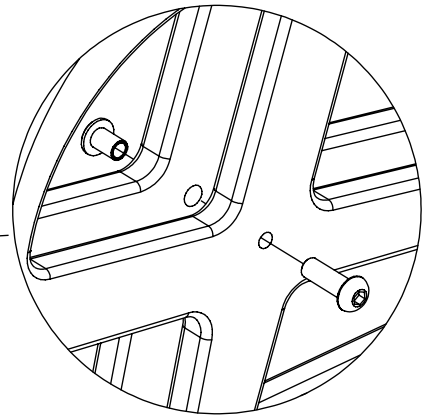
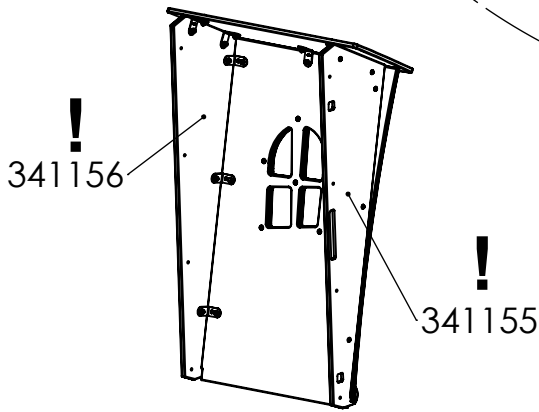
2x 17p037

[cm]

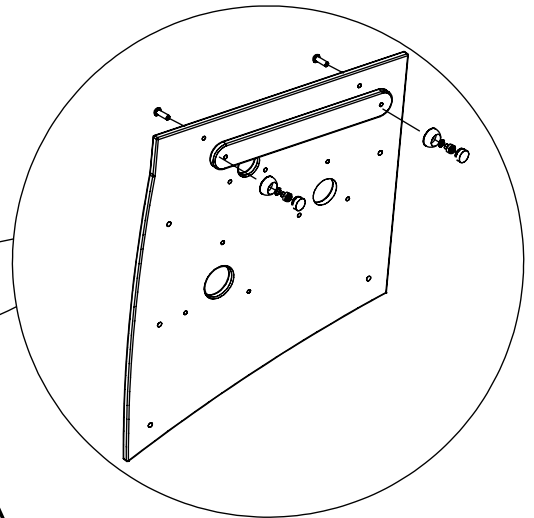
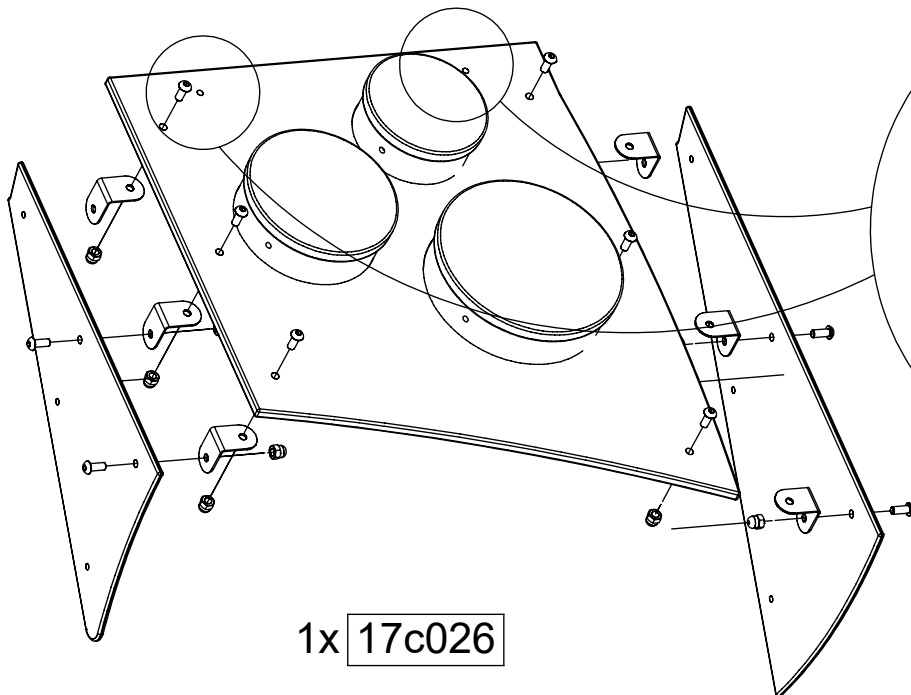
vinci
play



1x 30c056



1x c116

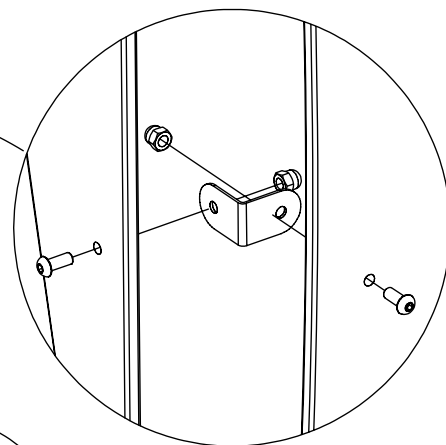
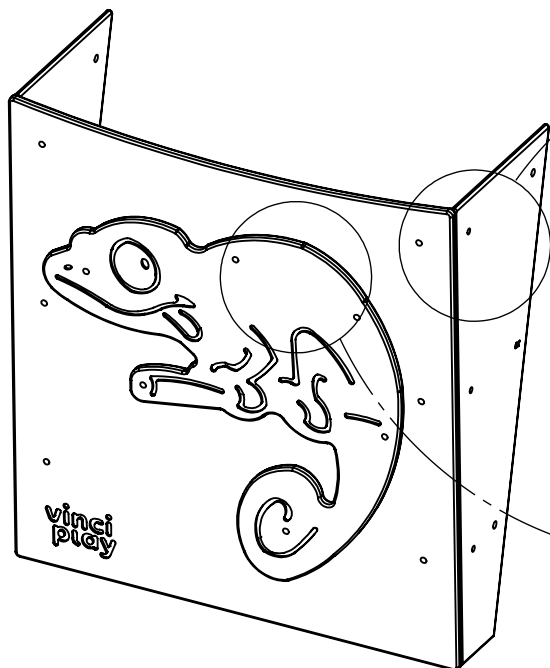


1x 17c018

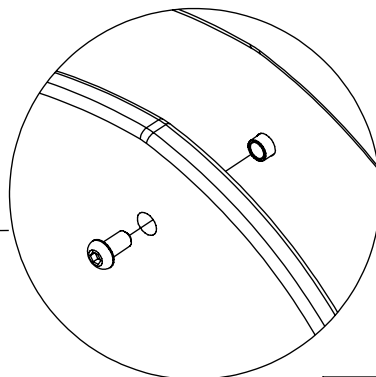
1x 17c026

[cm]

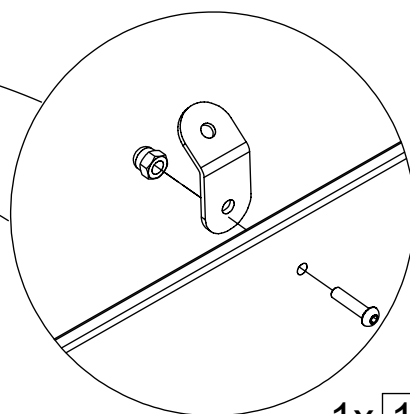
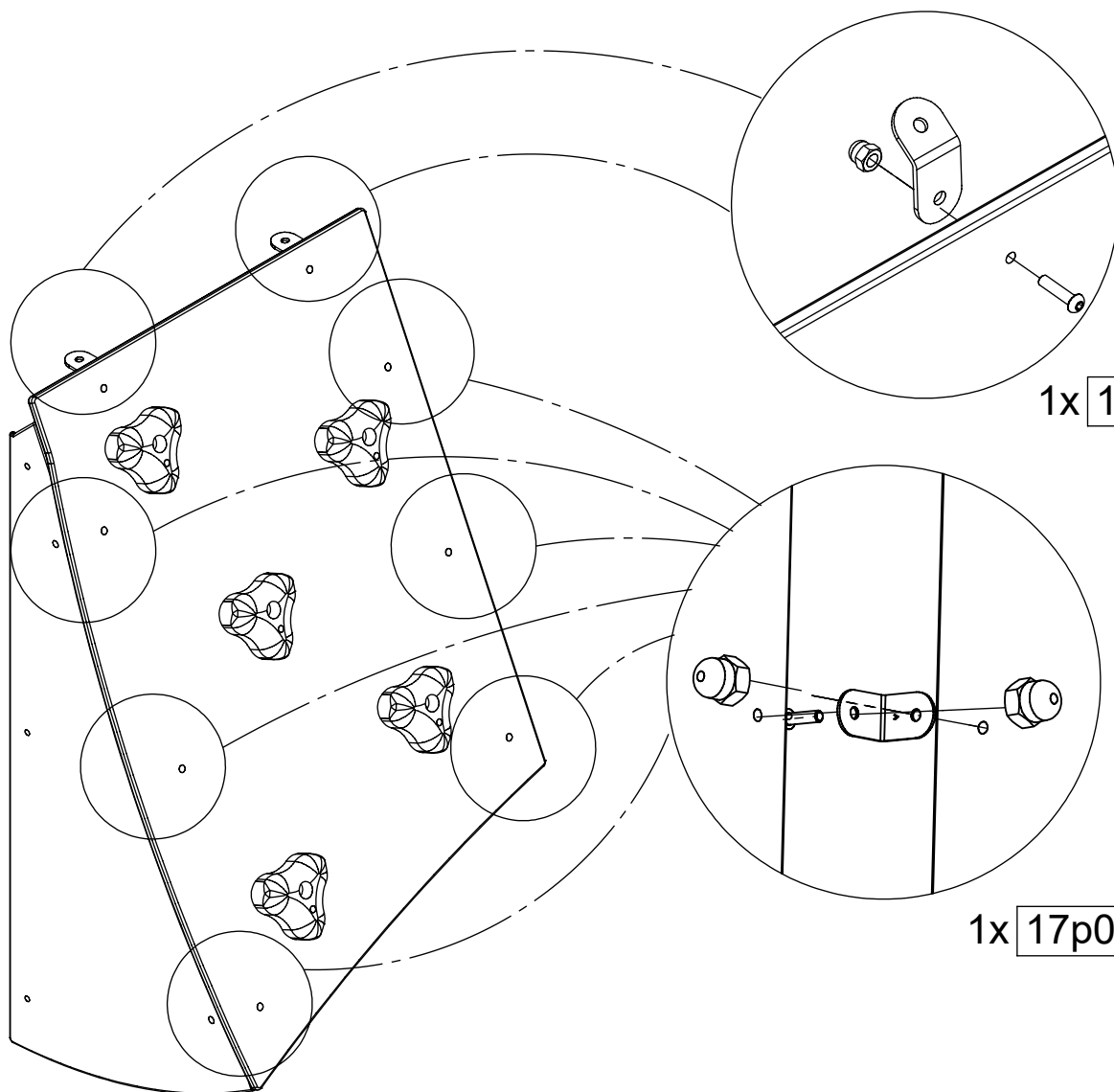
vinci
play



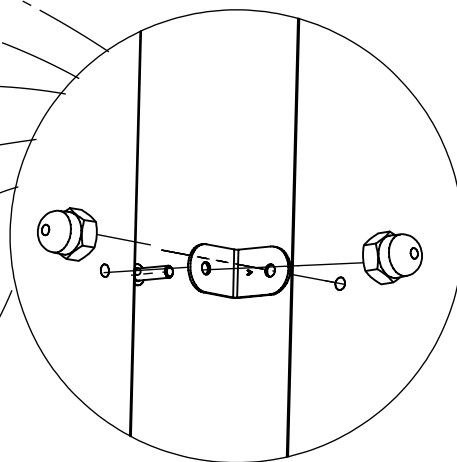
1x 30c012



1x 30c114



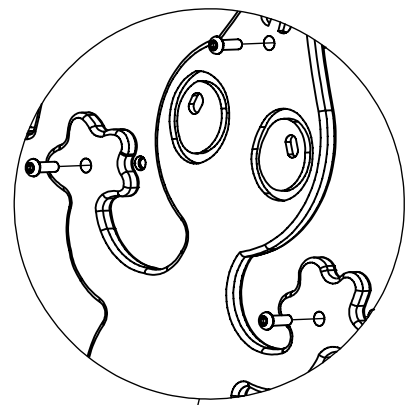
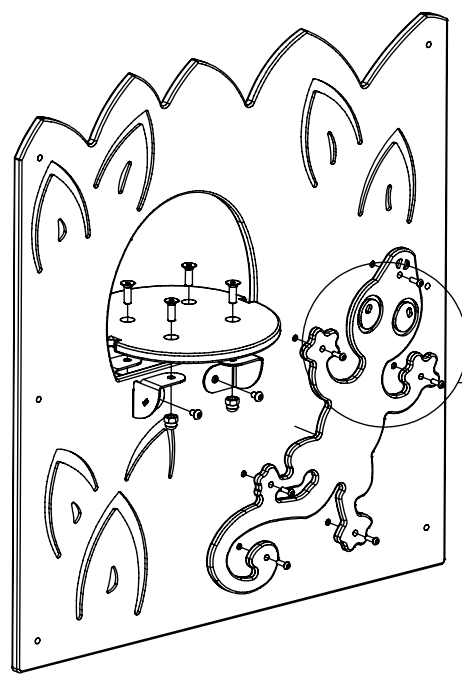
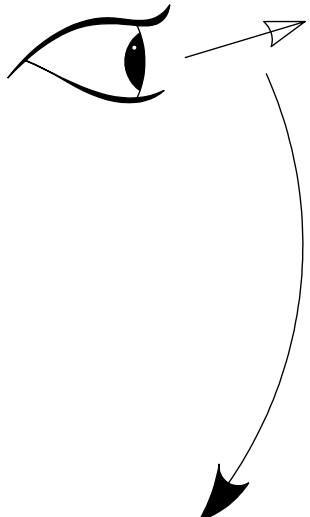
1x 17p015



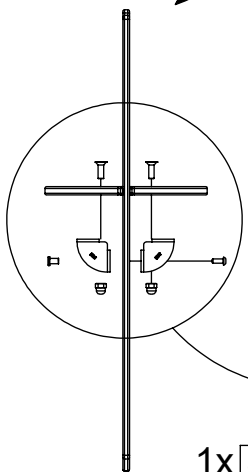
1x 17p013

[cm]

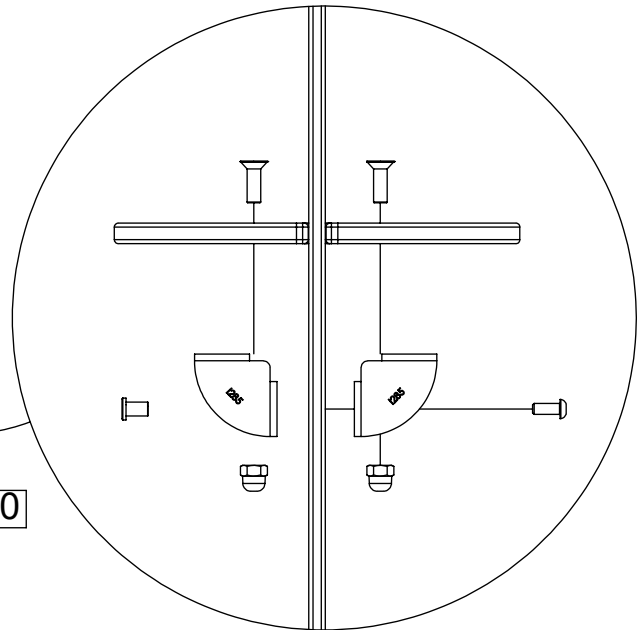
vinci
play



1x 30c114

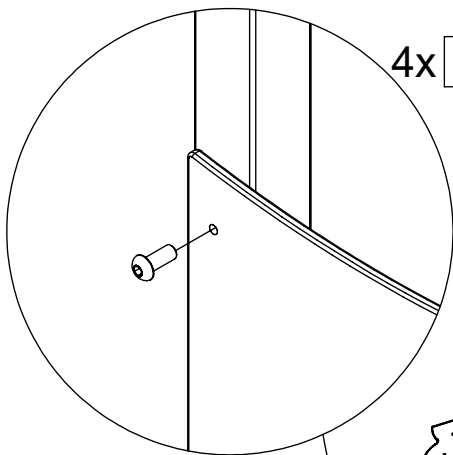


1x 30c120

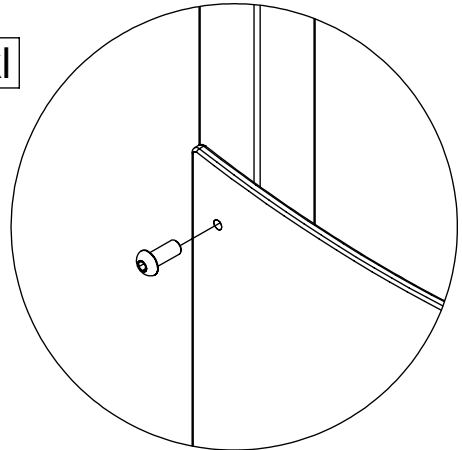


[cm]

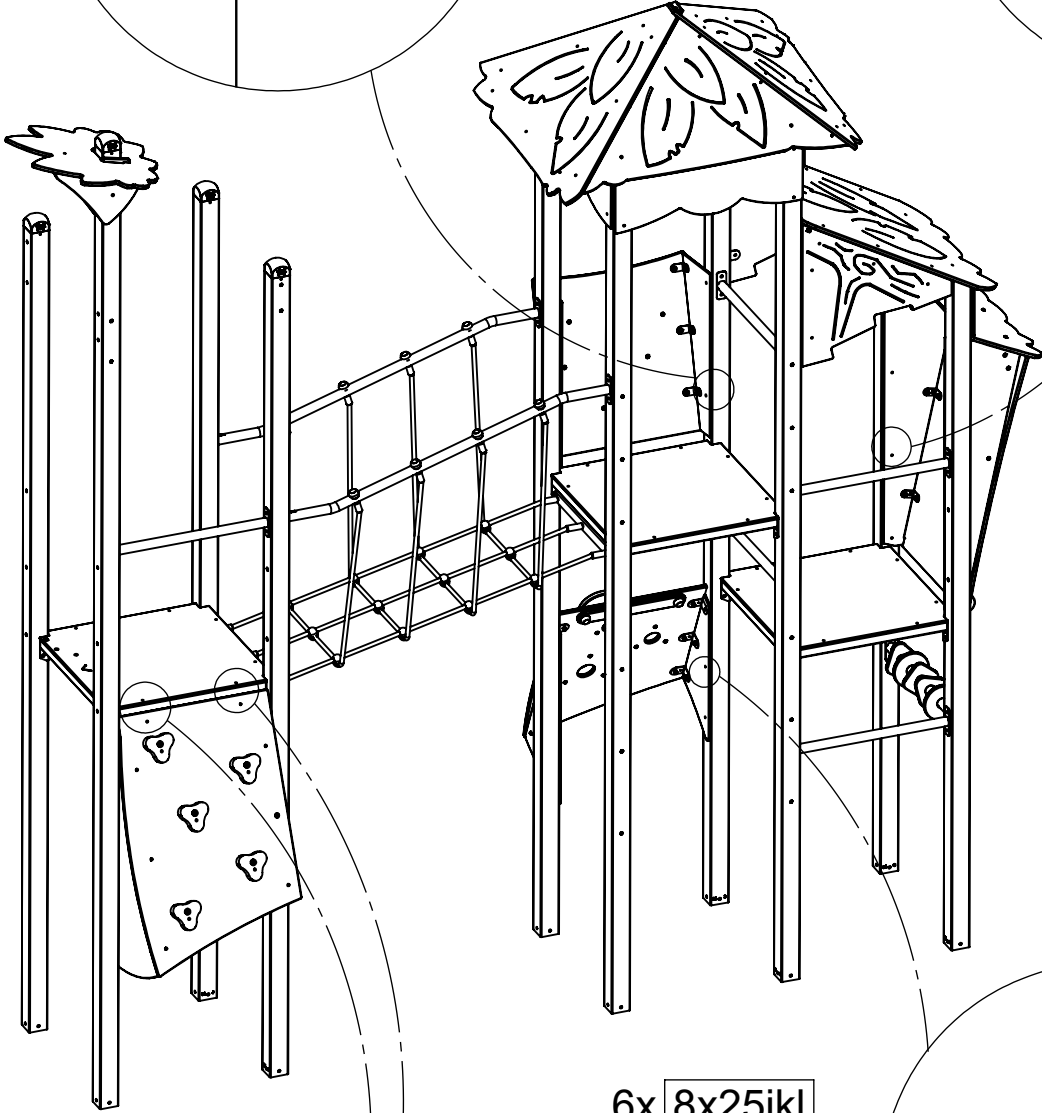
vinci
play



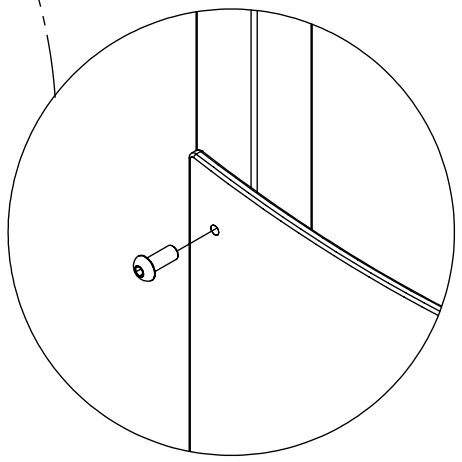
4x 10x25ikl



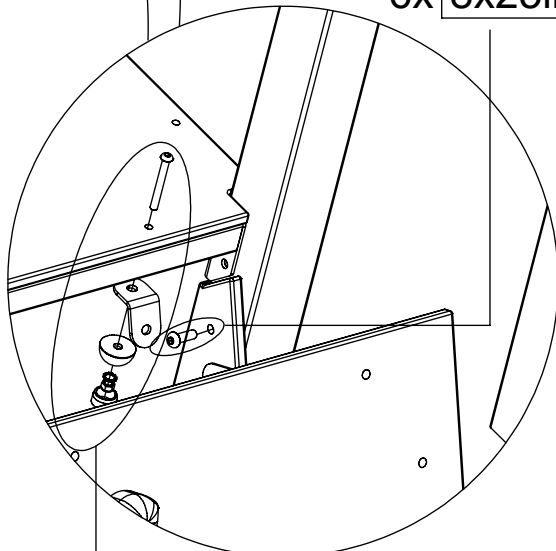
8x 8x30ikl



6x 8x25ikl



6x 8x25ikl

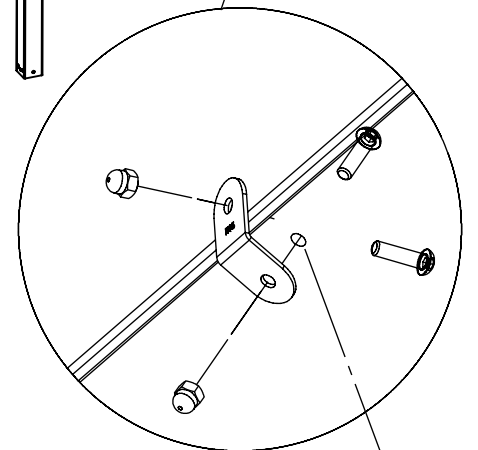
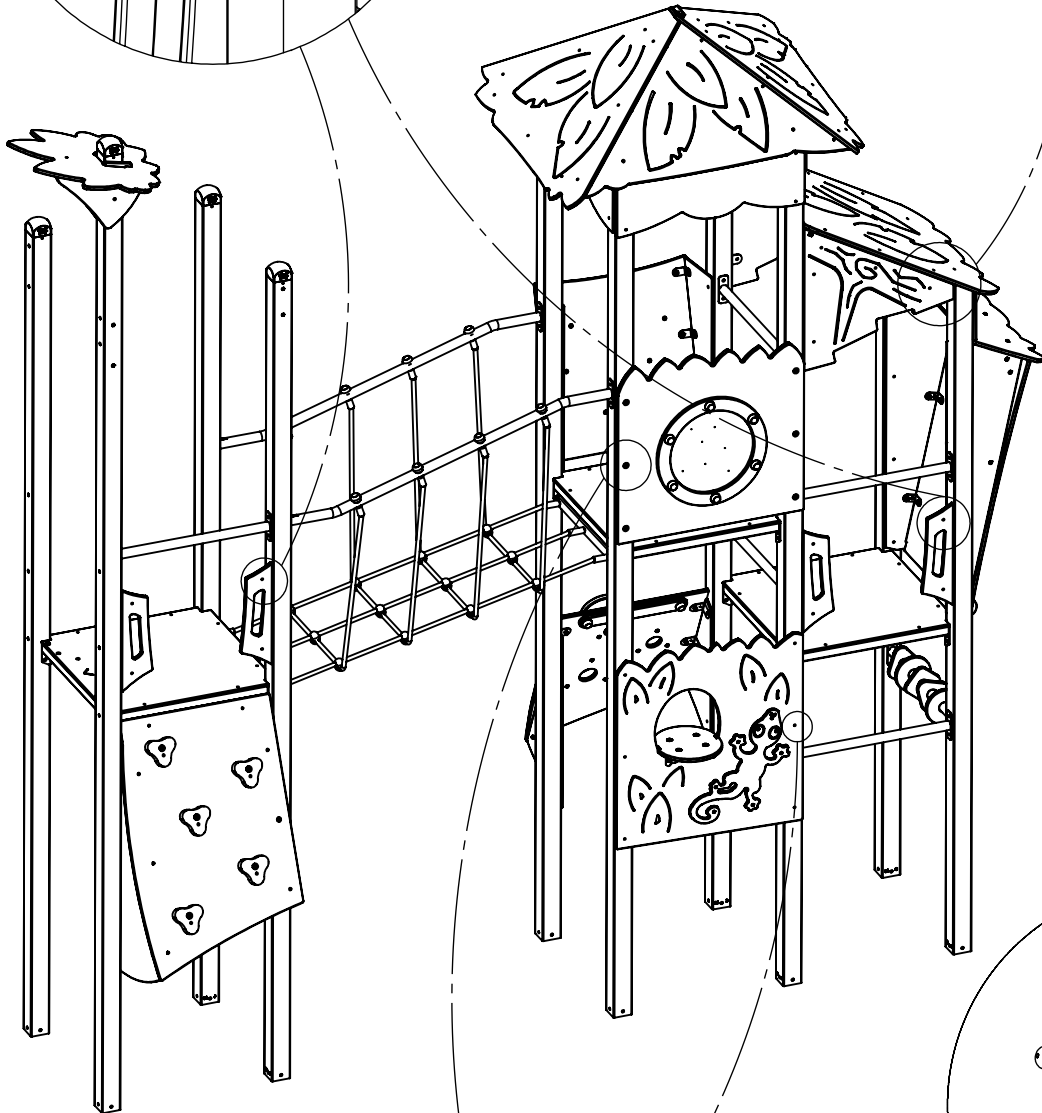
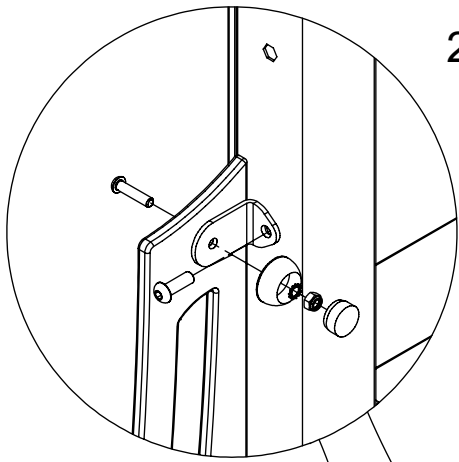
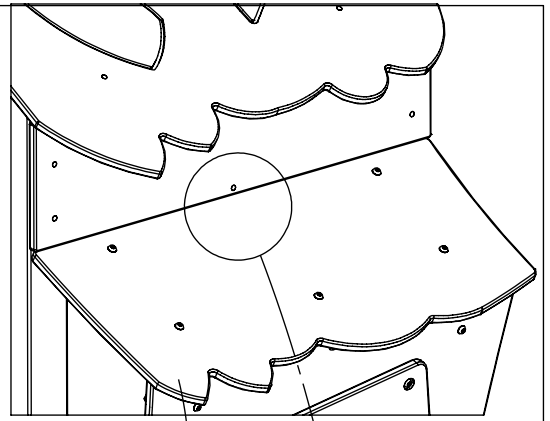


1x 17p021

[cm]

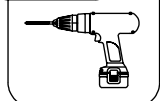
vinci play

2x 17c004



1x 30c124

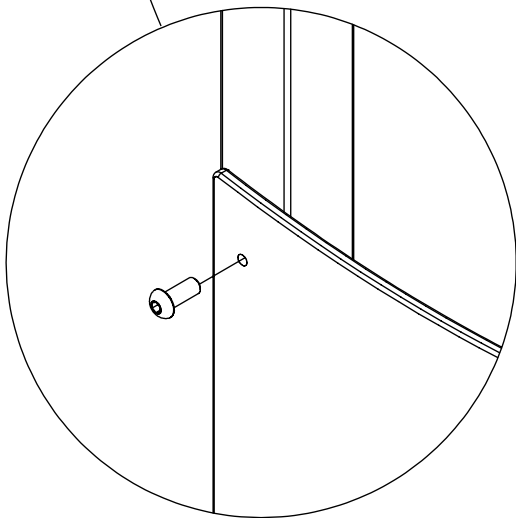
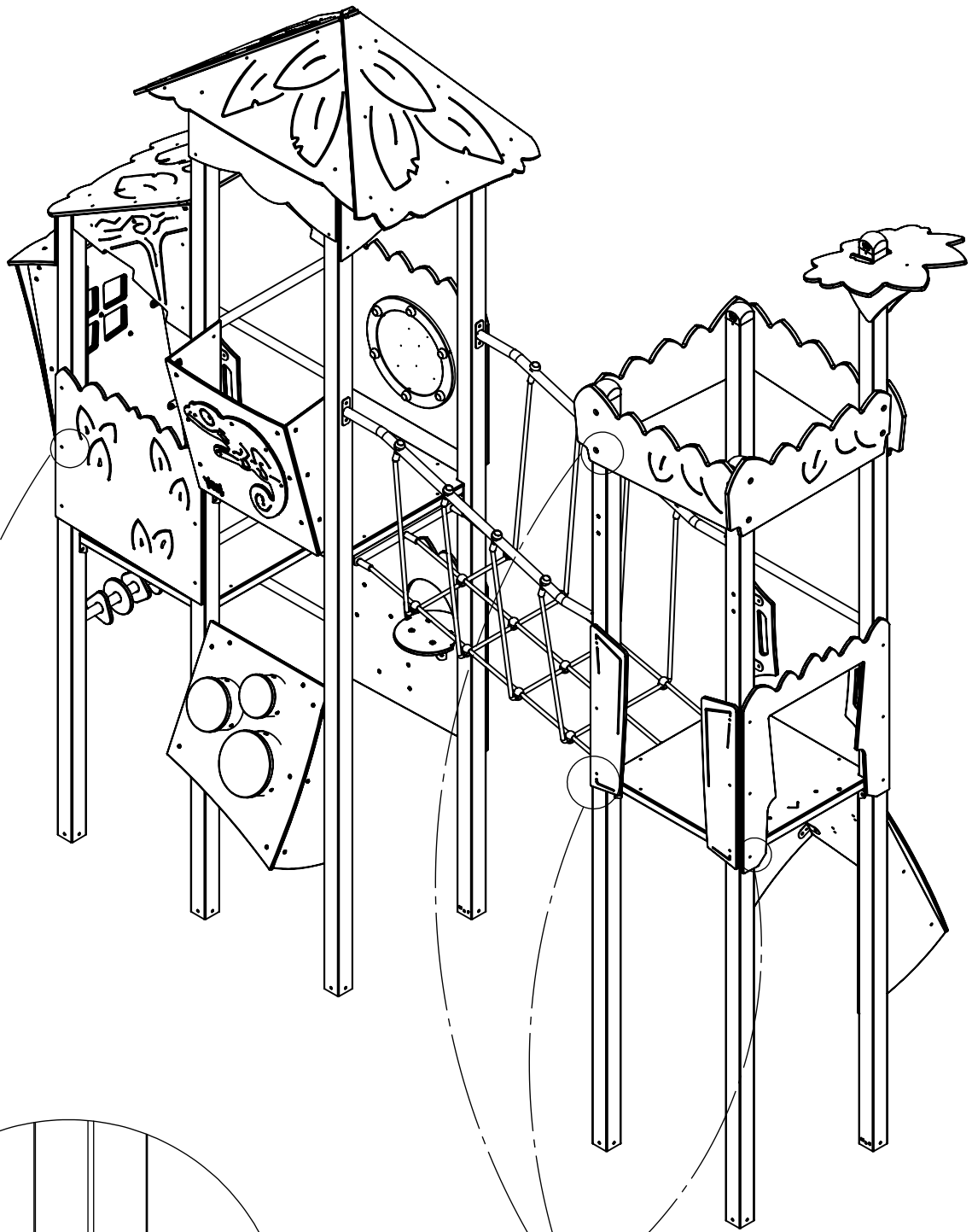
Ø8,5



12x 8x30ikl

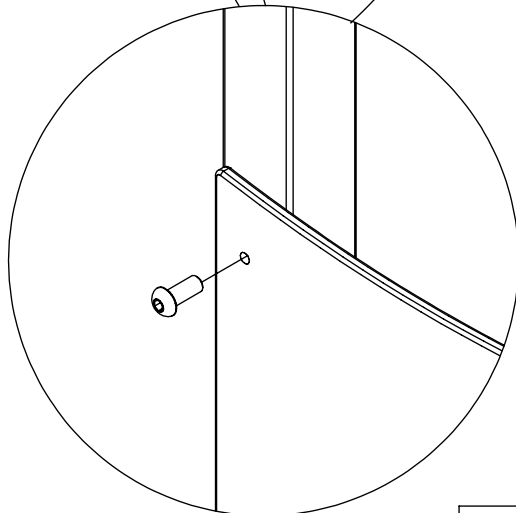
[cm]

vinci
play



6x 8x30ikl

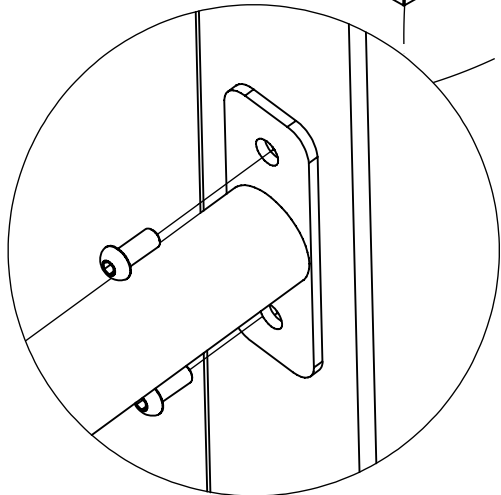
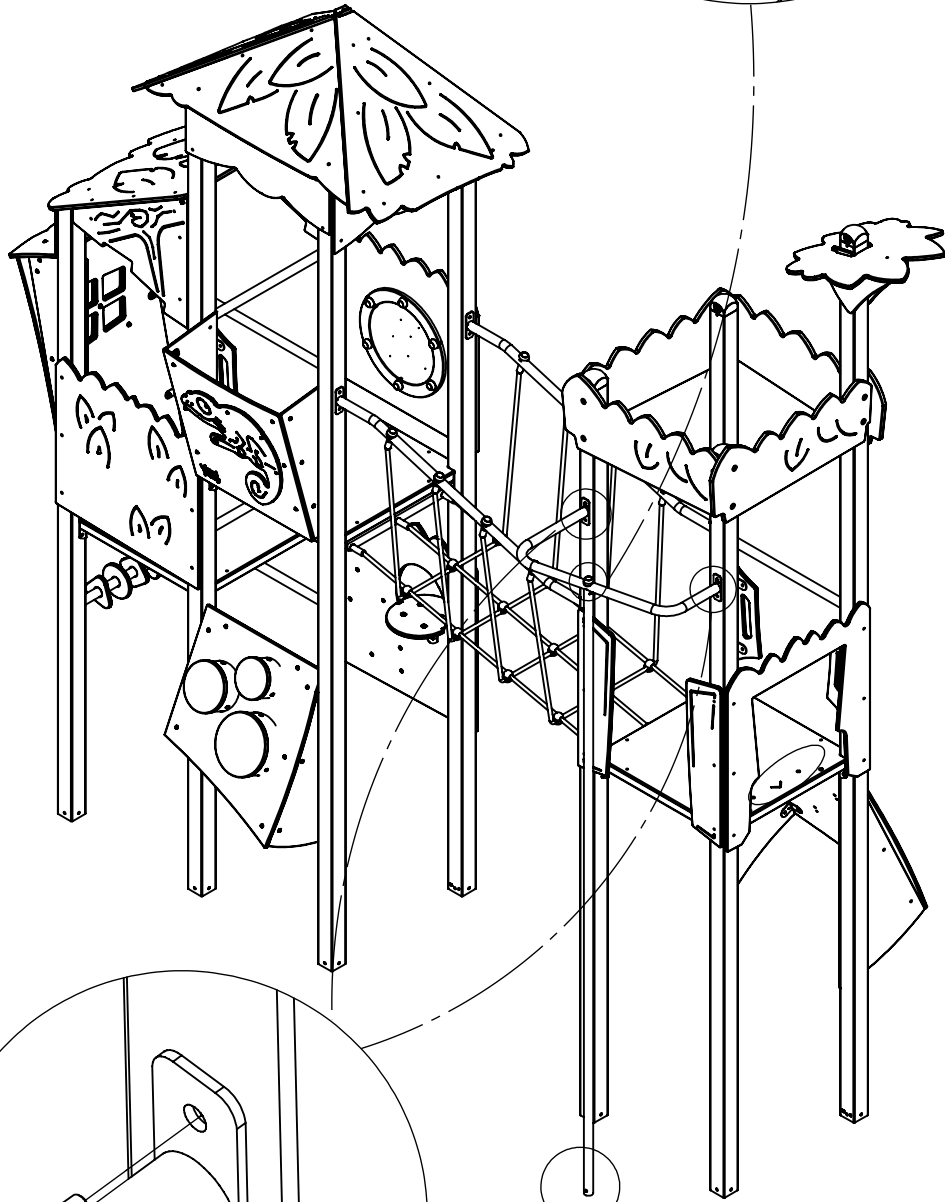
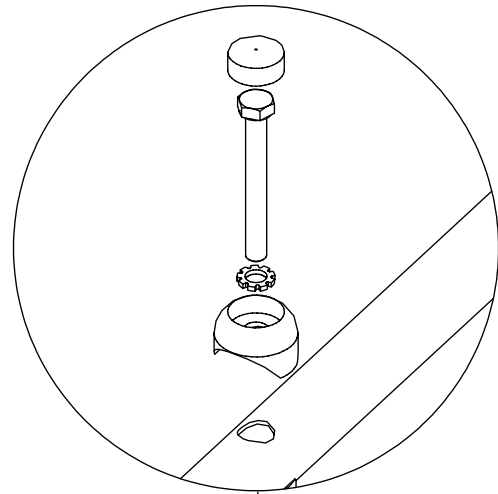
[cm]



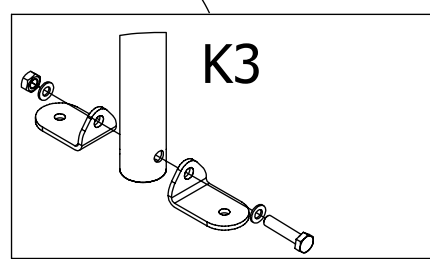
28x 8x30ikl

vinci
play

1x E39



4x 10x25ikl



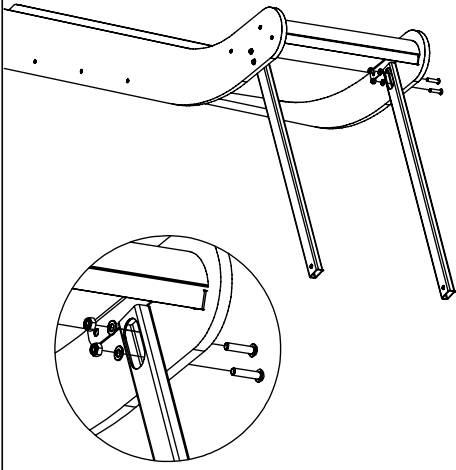
K3

1x E38

[cm]

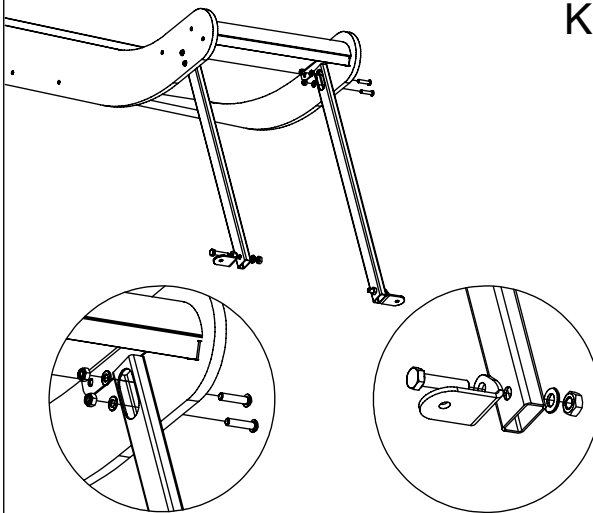
vinci
play

K1



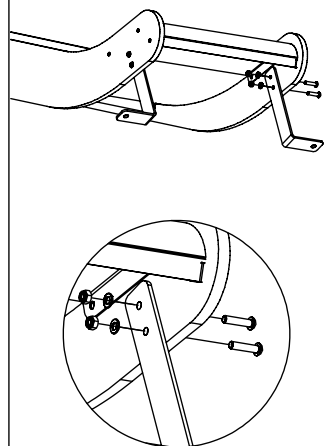
1x E34

K2

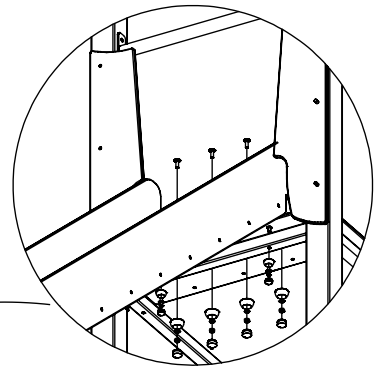
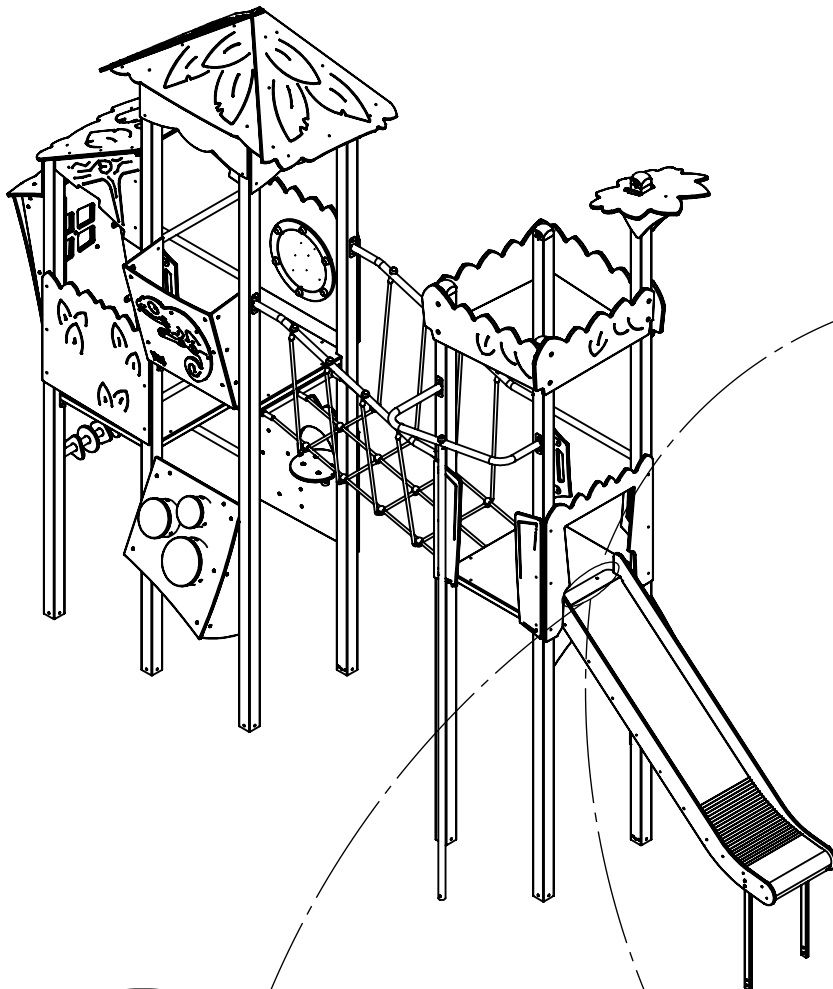


1x E35

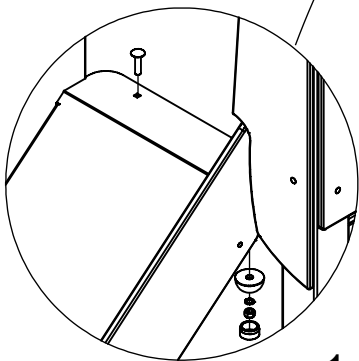
K3



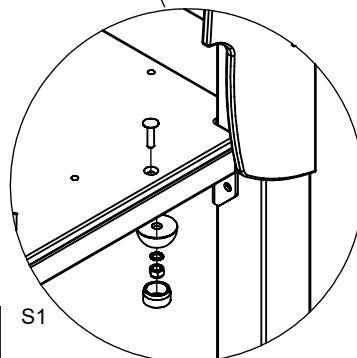
1x E34



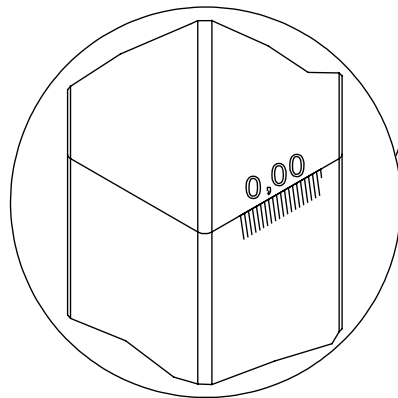
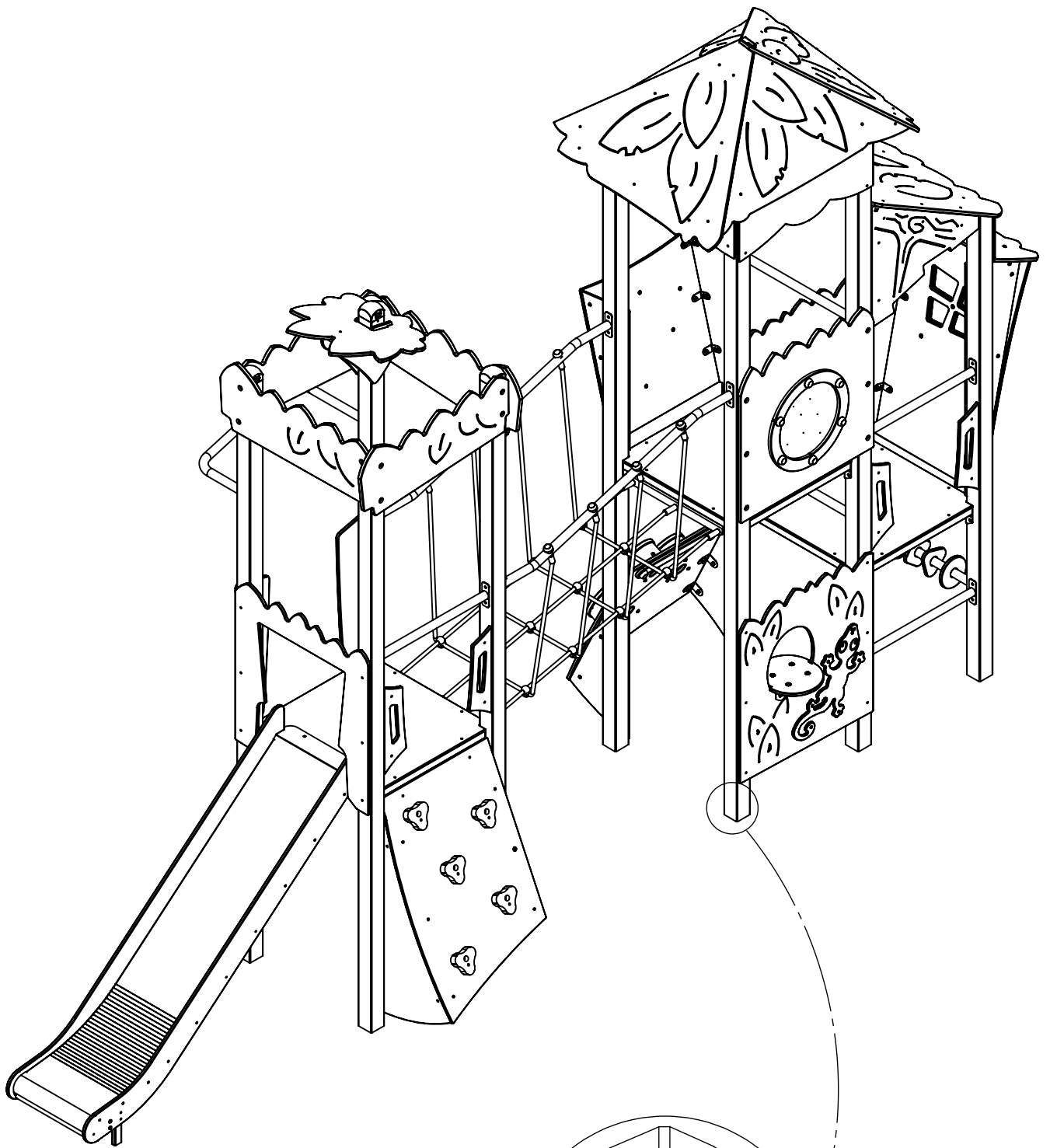
1x 17p019 ^{S6}



1x 17p017 ^{S1}

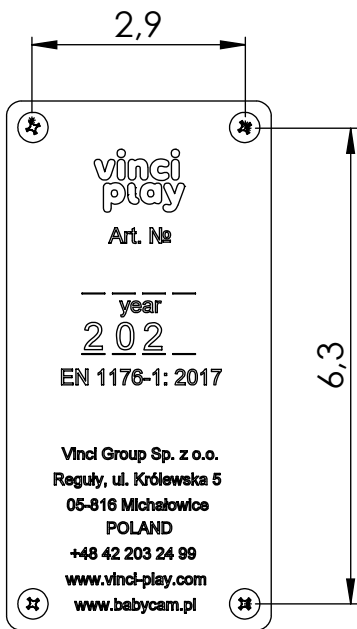
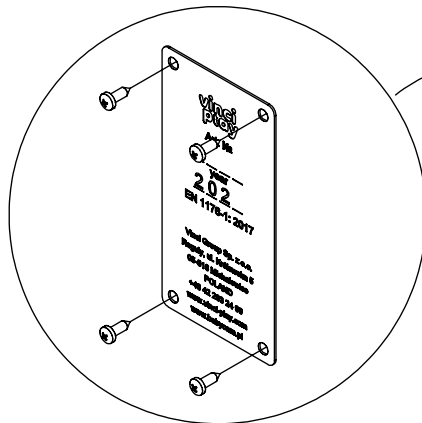
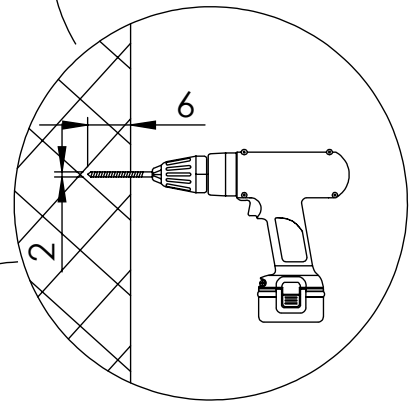
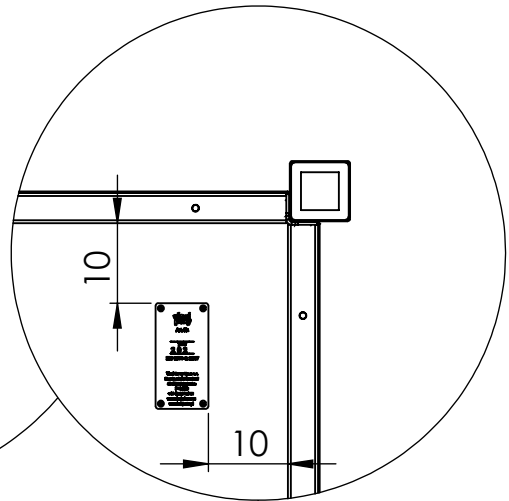
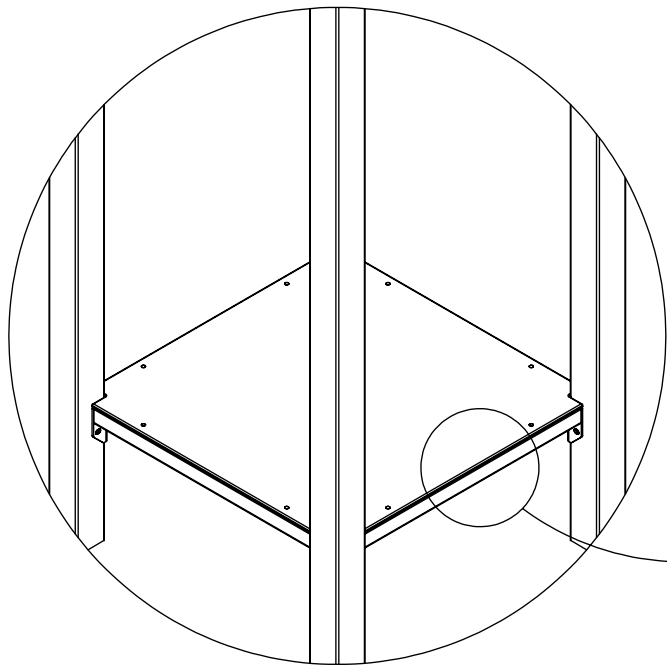


[cm]



[cm]

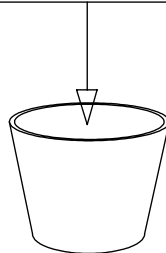
vinci
play



V001

Part No:
000000-
00000

000000-00000



[cm]

vinci
play