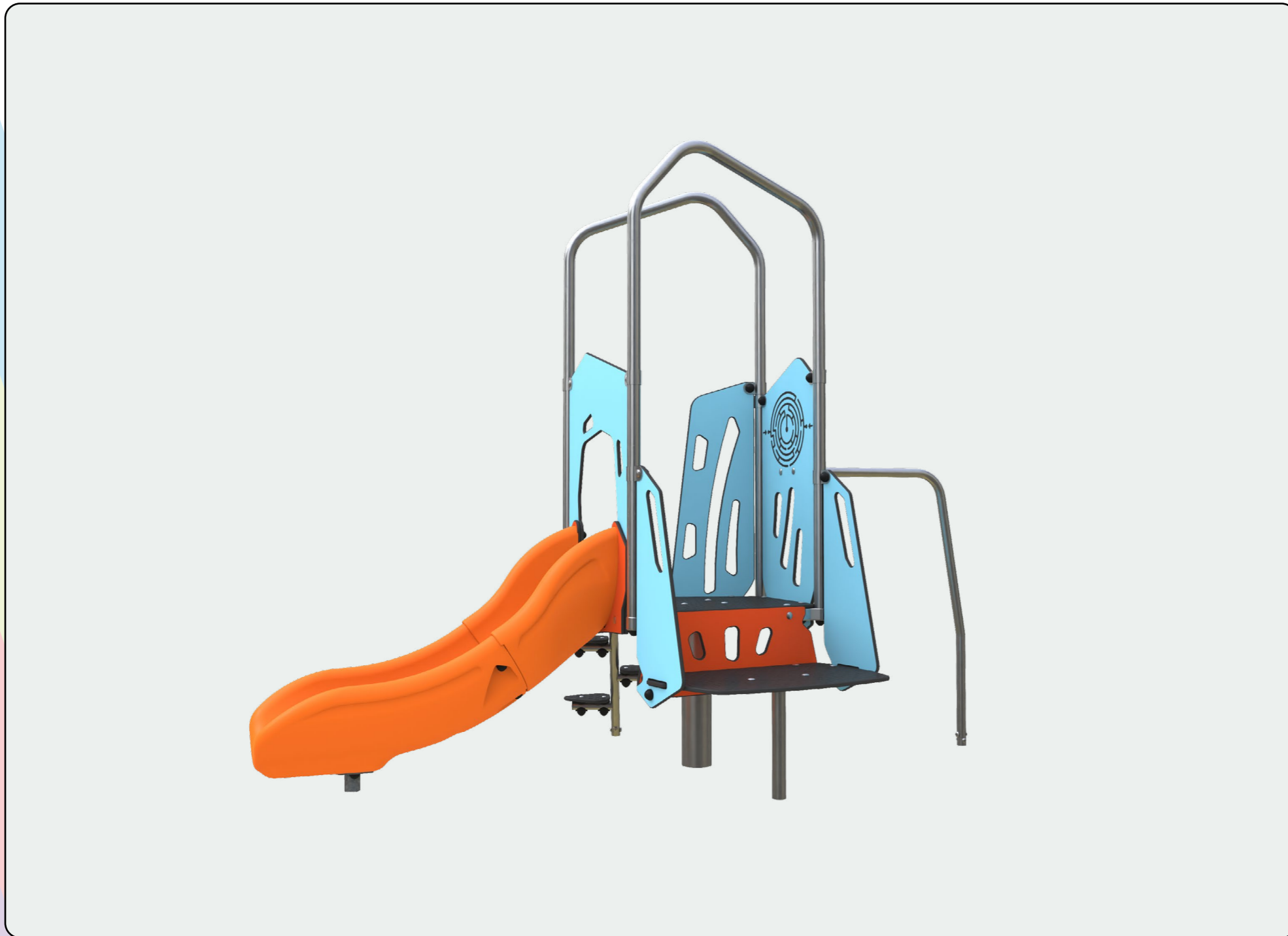


Little City Plus - Winnipeg (Plastic Slide)

LCT/WIN



Play Value



Materials & Guarantees

Steel Ground Fixings - 20 Years
Structural Stainless Steel - 25 Years
Galvanised Steel Frames - 15 Years
Compact Grade Laminate - 10 Years
Plastic Slides - 5 Years
Bolts - 10 Years
Plastic Components - 5 Years

- 0.55m Tower
- 0.55m Stepping Stones Access
- 0.55m Transfer Step
- 0.55m Plastic Slide
- Swing Bar

Stainless steel playground tower for younger children! Easily accessible tower and low-level Swing Bar will put their skills to the test before they experience the thrill of climbing sliding and swinging all in one unit.

Colour Options

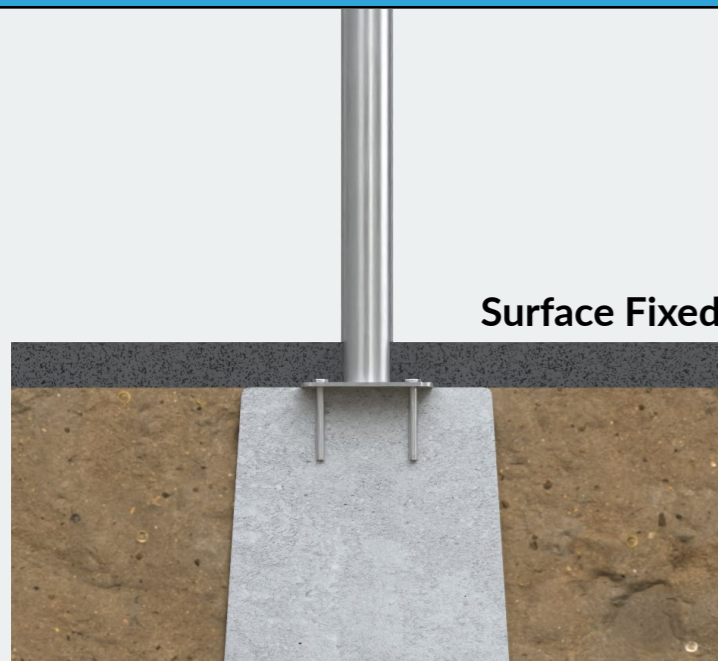


Option A - Mineral Blue & Orange

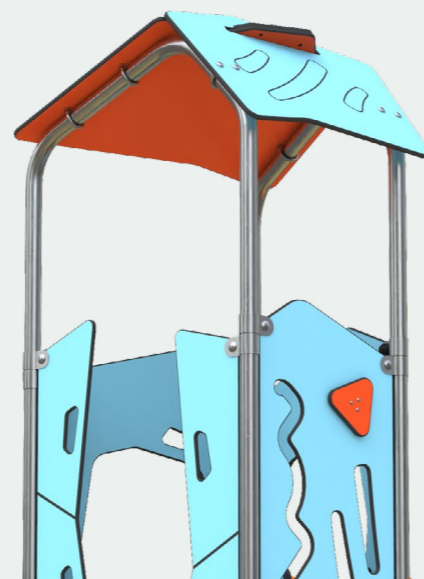
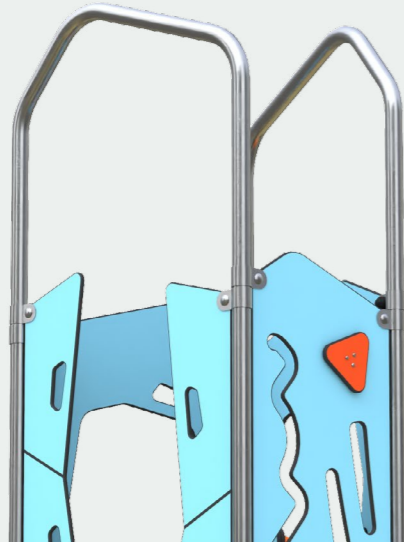
Option B - Purple & Lime Green

Option C - Turf Green and Spring Green

Fixing Options



Roof Options



Equipment Dimensions

Length / Width / Height	1.4m x 2.5m x 2.1m
-------------------------	--------------------

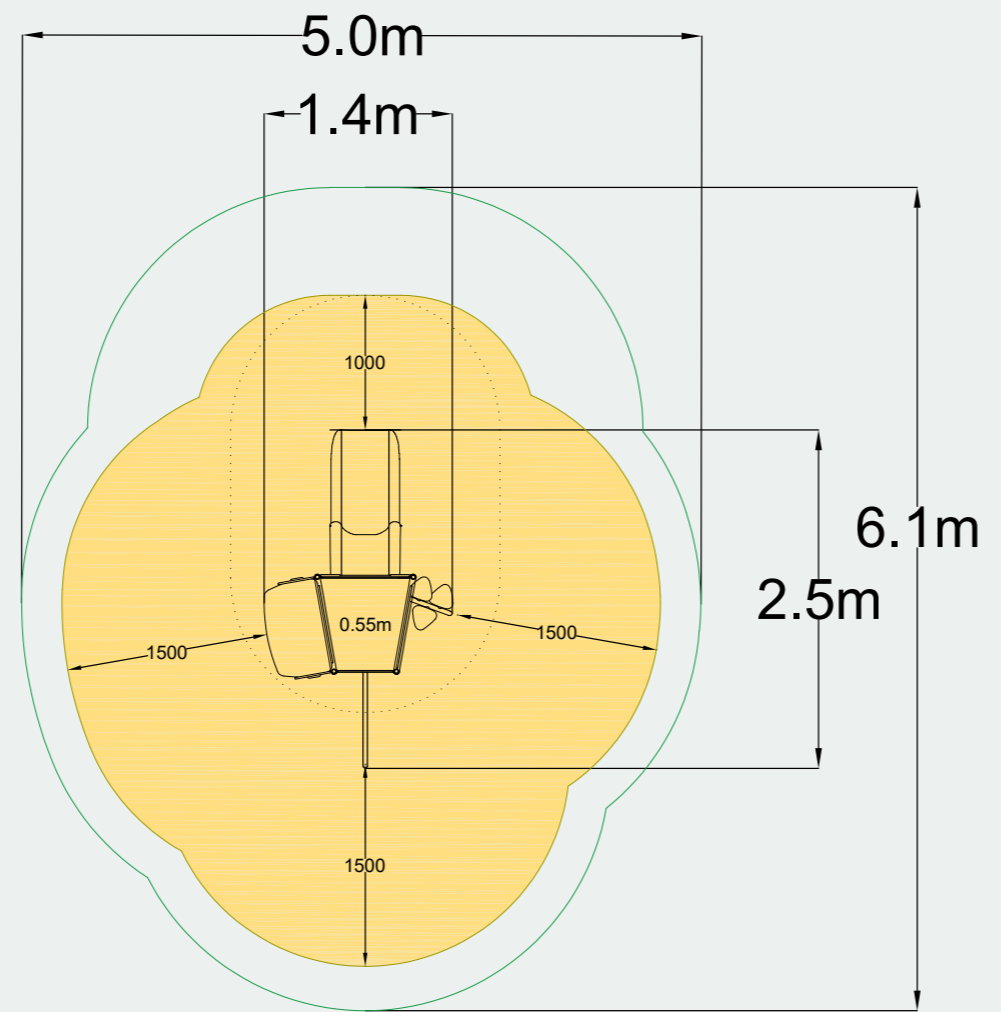
Surfacing and Area Required

Recommended Minimum Space	5m x 6.1m x 3.3m
Max Gradient of Ground	1 in 50
Free Height of Fall	0.55m
Synthetic Surfacing Area	15m ²
Loosefill @ 250mm Depth	6.25m ³
Grasslok (1m x 1m Tiles)	21.5m ²

Installation Information

Installation Time	2 Persons 7 Hours
Overall Weight	105kg
Heaviest Part	13kg
Largest Part	1.5m x 0.8m x 0.1m
Longest Part	1.5m
Concrete Required	0.4m ³

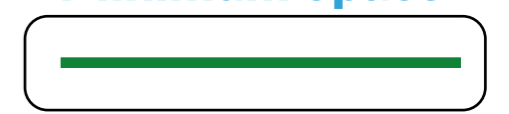
Plan View



EN1176
Impact Area



Recommended
Minimum Space



Free
Space



Synthetic
Surfacing



Side Elevation

