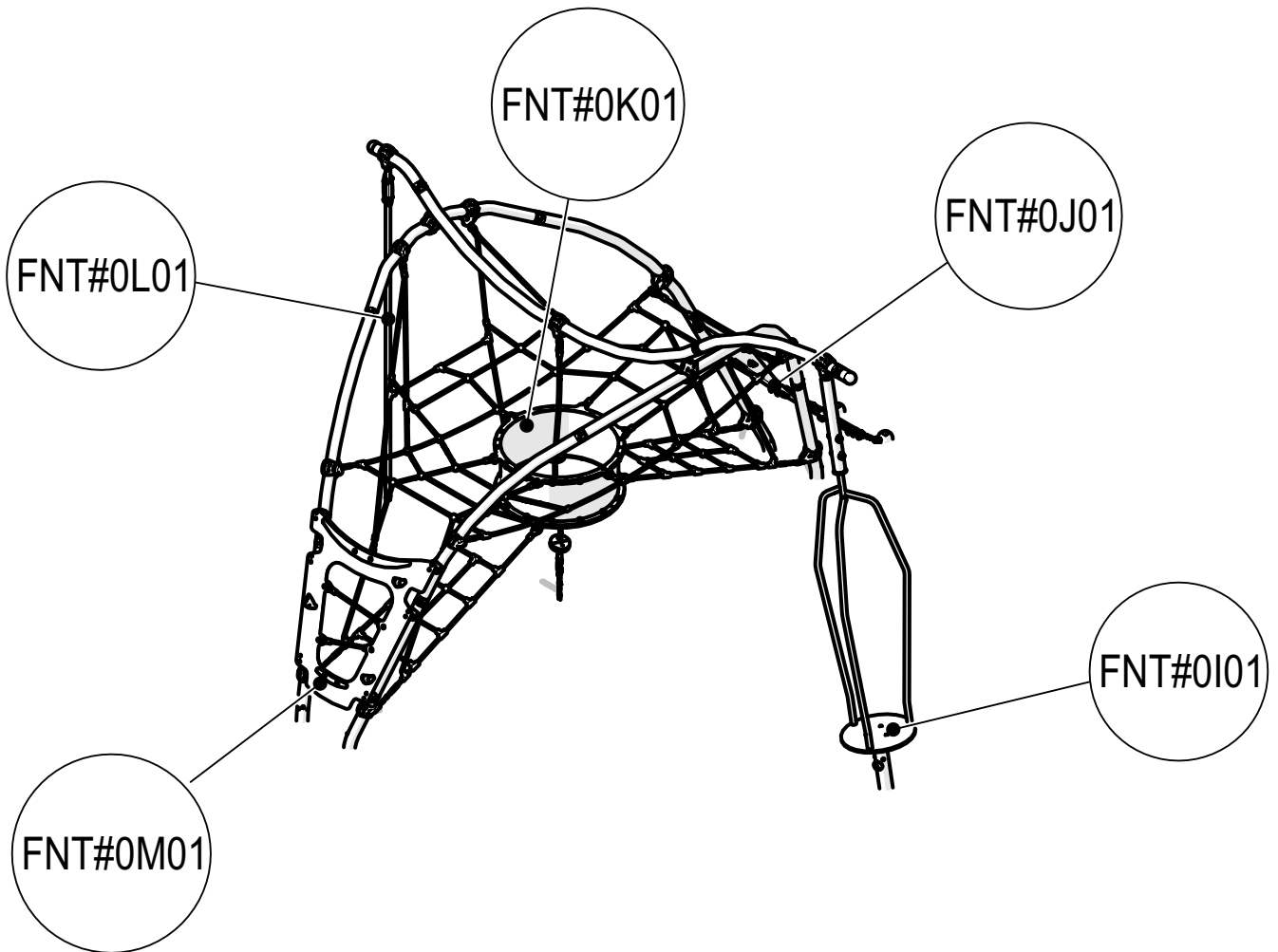
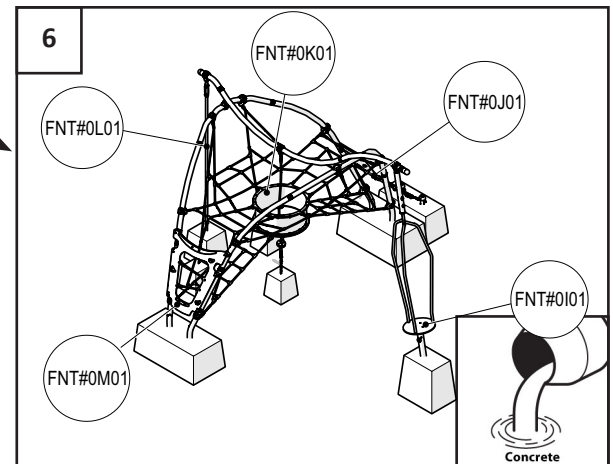
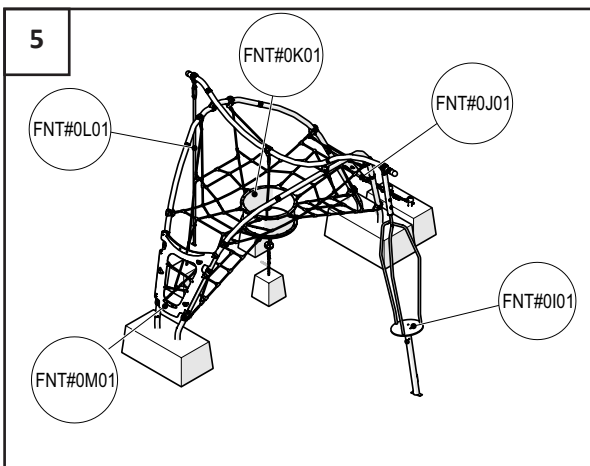
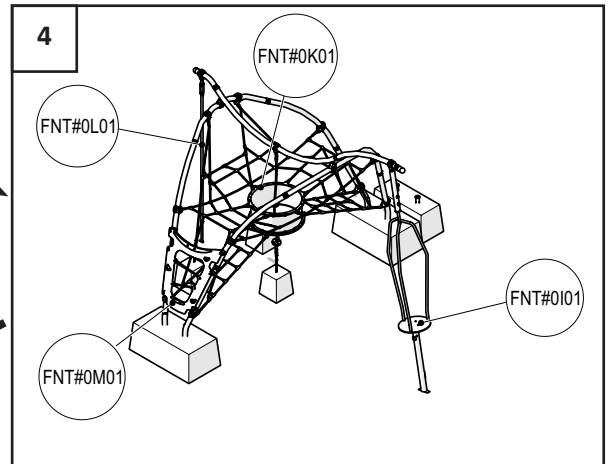
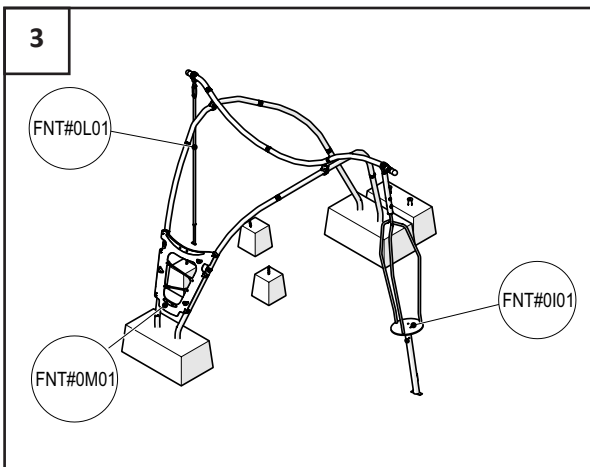
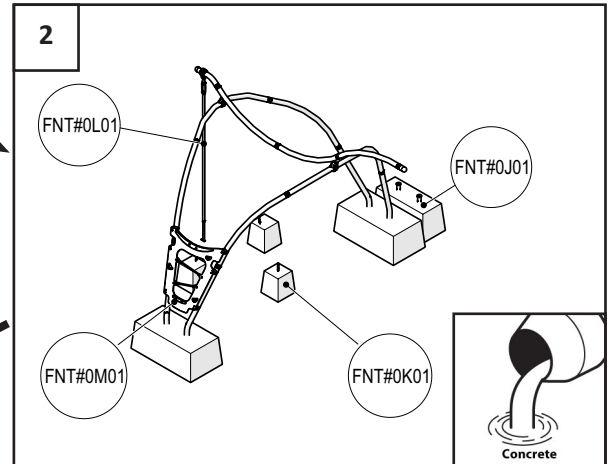
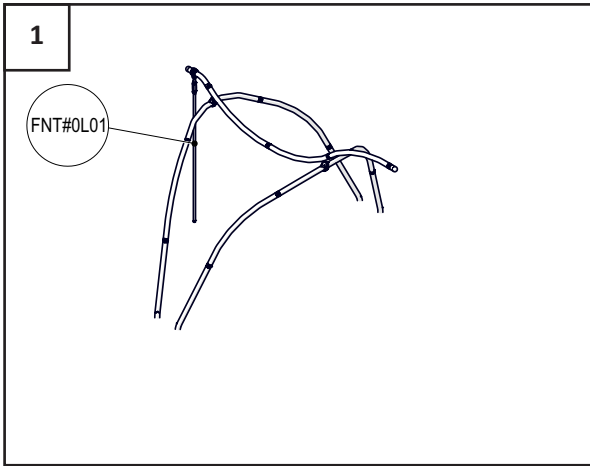


Unit Specification		
	SGF	SF
 Equipment Dimensions	7.9m x 5.2m x 3.2m	 FFF
 Overall Weight	338kg	 Heaviest Part
 Largest Part	3.9m x 0.6m x 0.6m	 Longest Part
 Concrete Required	1.49m ³	 Construction Space
 Manpower Required	2	 Estimated Time
 Bolt length measured as diagram.		



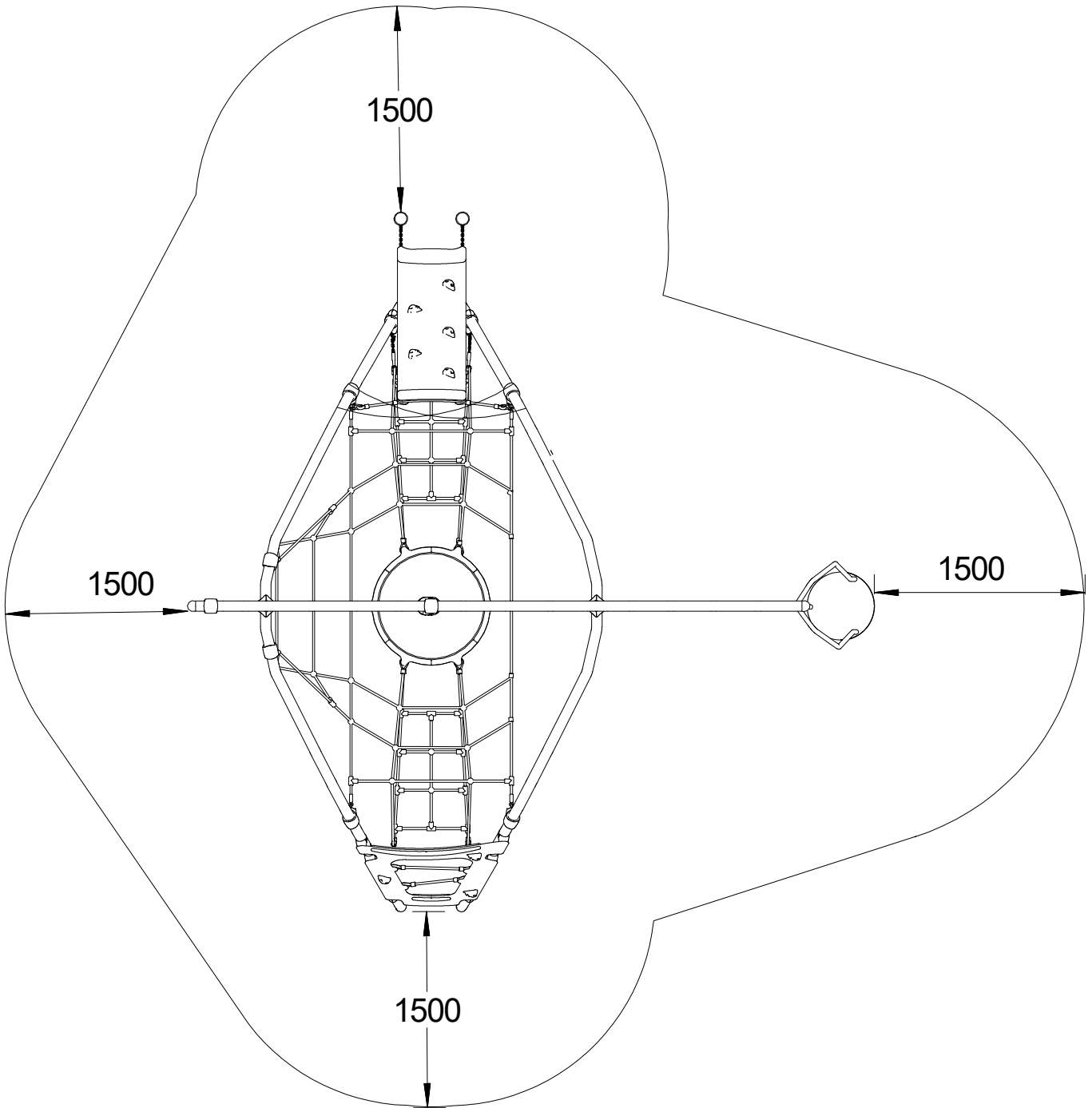


Components

Common Parts List			
Part	Qty	Image	Description
FNT0023	2		Joining Curved Tube
FNT0024	1		Tusk Curved Tube Assembly
FNT0025	1		Frame Ball End Tube
FNT0033	1		Frame Bent Ball End Assembly
FNT0001B	4		Lower Curved Leg Section
FNT0001C	2		Top Curved Leg Section Assembly
BR44/U	2		Ball Joint T Clamp Half 1
BR45/U	2		Ball Joint T Clamp Half 2
Modules			
Module Reference	Qty	Image	Description
FNT#0I01	1		Spinner
FNT#0J01	1		Inclined Access
FNT#0K01	1		Suspended Web
FNT#0L01	1		Firemans pole (Straight)
FNT#0M01	1		Climbing Panel

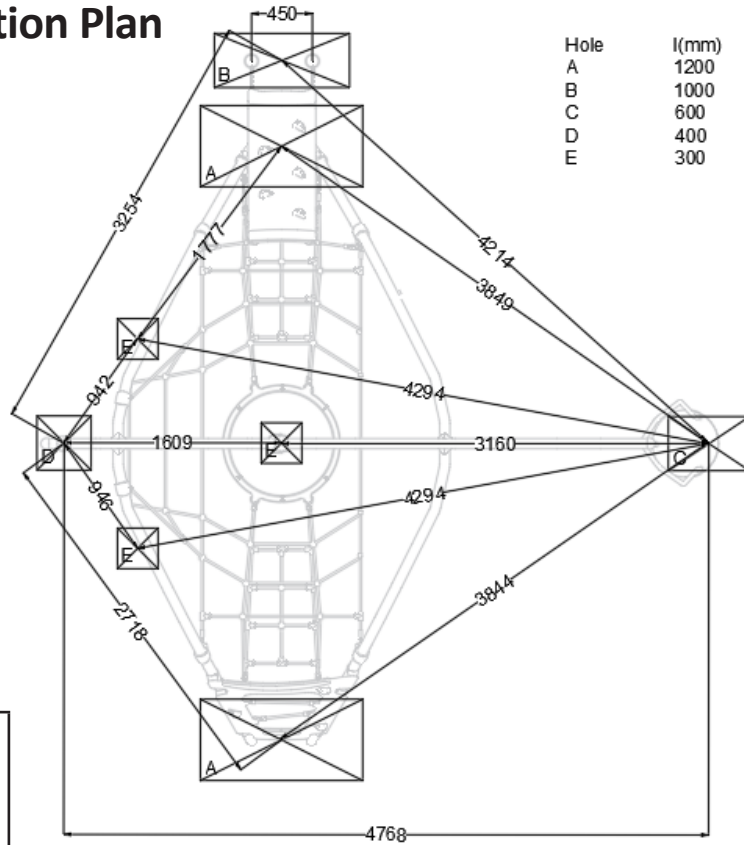
Kitting Pack (KT/FNT-NUC-01)			
Part	Qty	Image	Description
F419	20		M8 S/S Nylock Nut
F763	88		Hex Cap
F774	8		M8 X 30mm Socket Cap Screw
F775	12		M8 X 60mm Socket Cap Screw
Steel Ground Fixed Additional Parts List			
Part	Qty	Image	Description
FNT0002A	4		Ground Fixing Leg
BC003	8		Surface Adjusting Foot
F051	8		M12x180mm Hex Head Bolt
F133	8		M12 Oversized Nut
Surface Fixed Additional Parts List			
Part	Qty	Image	Description
FNT0005/U	4		Ground Fix Ball Joint Clamp Segment
FNT0007	4		Ground Fixing SF
FNT0001A	4		Straight Leg Section SF
F773	8		M8 X 20mm Socket Cap Screw
F775	4		M8 X 60mm Socket Cap Screw
F419	12		M8 S/S Nylock Nut
F763	24		Hex Cap

BS EN 1176 Impact Area



Surfacing Specification	
Finished Gradient	1 in 50max
Free Height of Fall	1.5m

Standard Foundation Plan



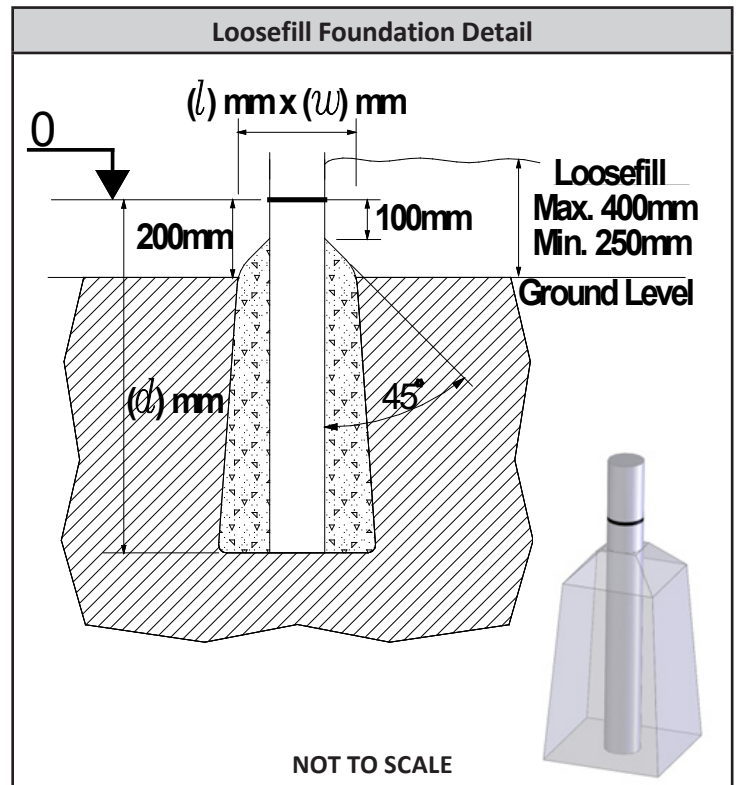
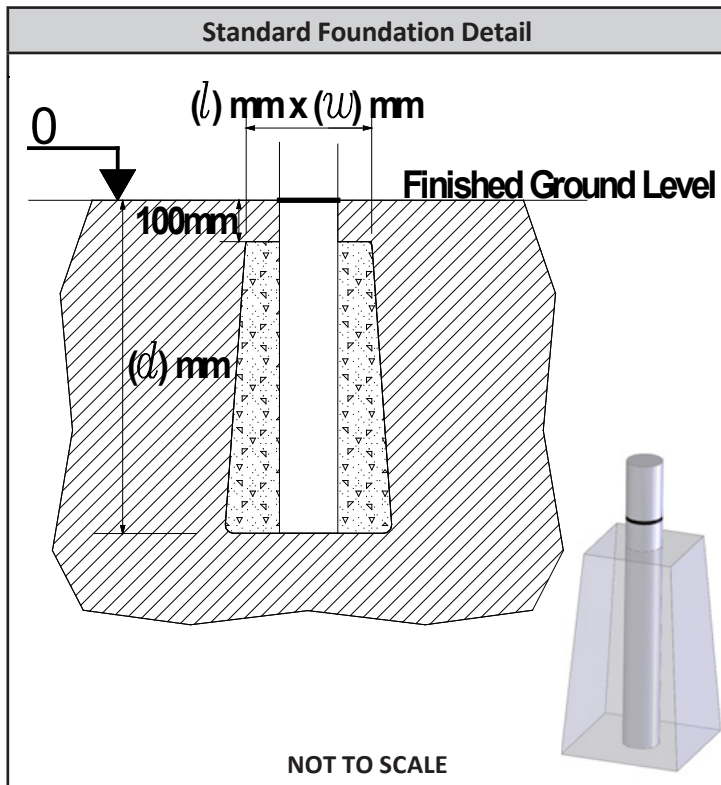
Hole	l(mm)	w(mm)	d(mm)
A	1200	600	500
B	1000	400	500
C	600	400	730
D	400	400	500
E	300	300	400

Concrete Required

1.30m³


Minimum Concrete Specification: C16/20 (20 N/mm² min. compressive strength)
 Recommended Mix: 1 part cement/ 2 part sand/ 4 part stone.

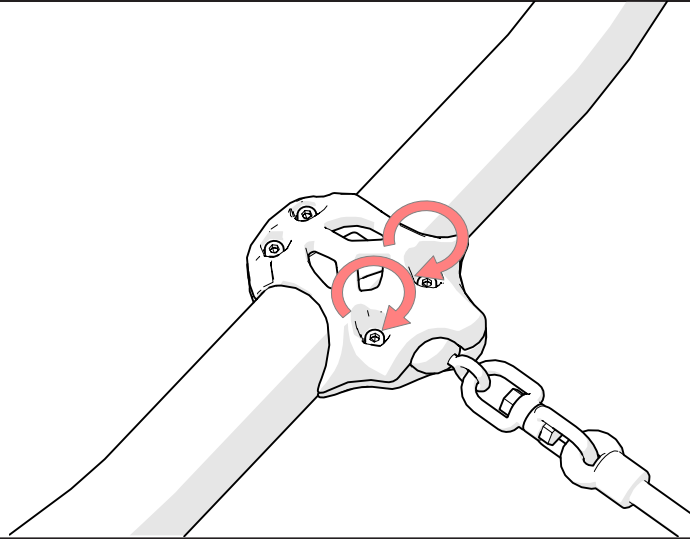
NOT TO SCALE




NOTE: All holes must taper out from hole width at top of hole (as shown) to give maximum stability. In loose or sandy ground all hole width dimensions should be increase by approximately 50%.

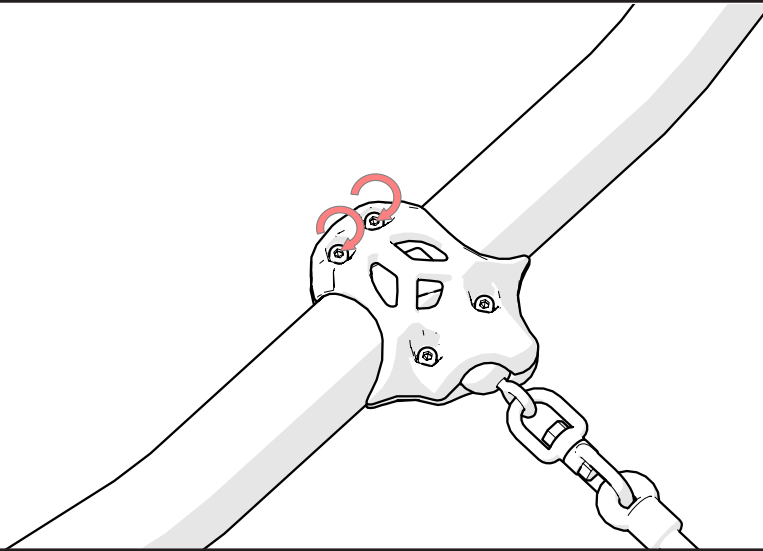
A1 * General Installation A

F419	2
F774	2
	Torque to 20Nm

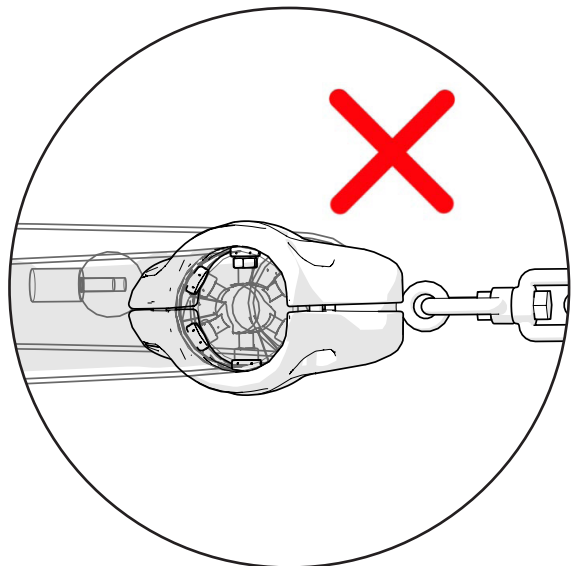
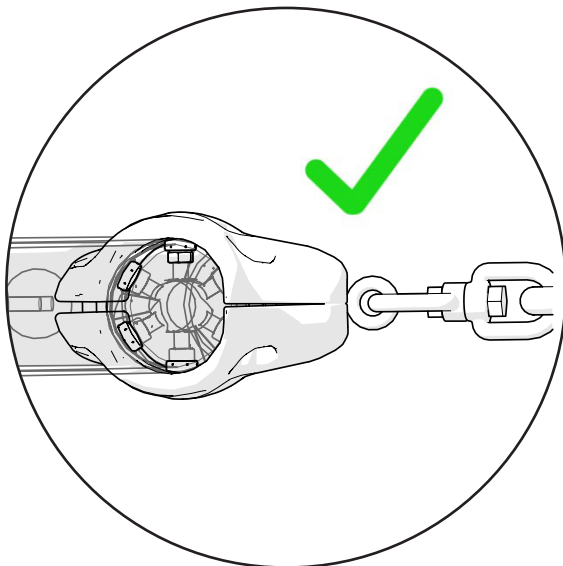


A2

F774	2
F419	2
	Torque to 20Nm

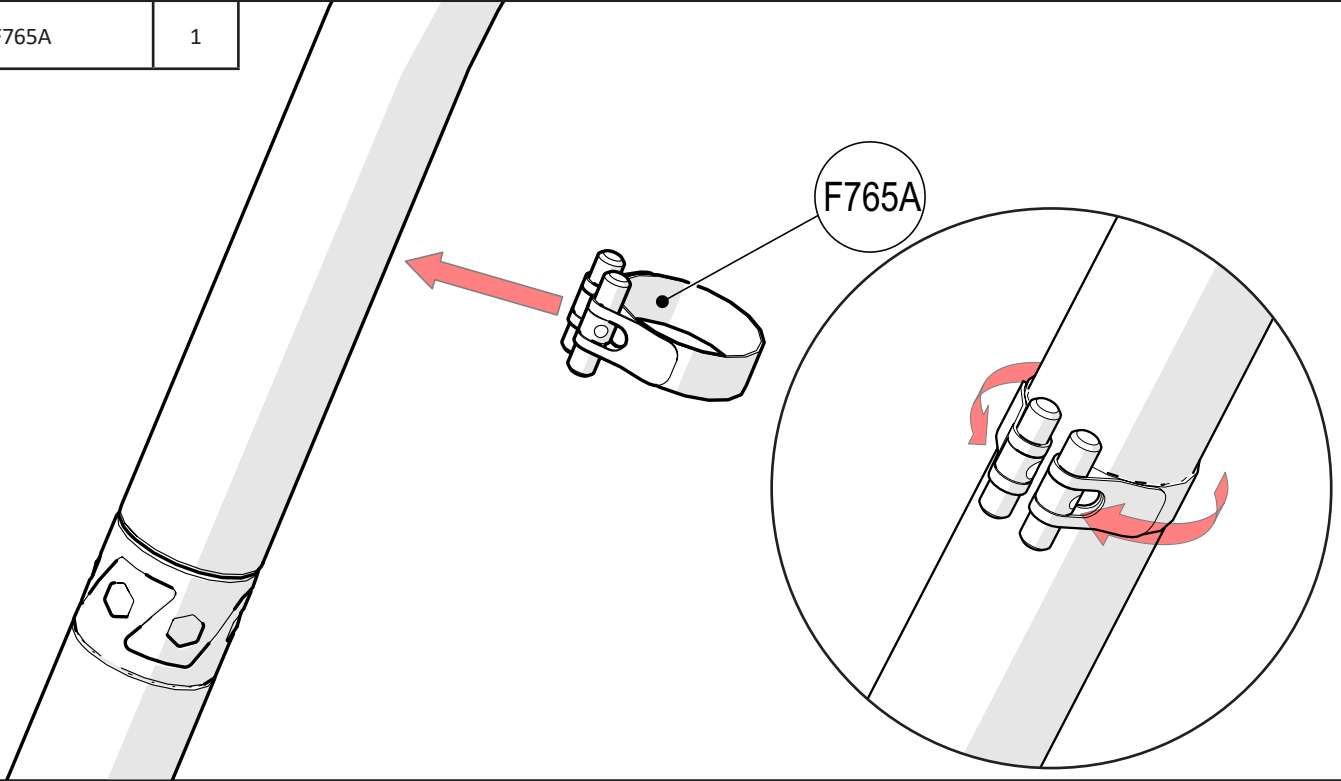


A3



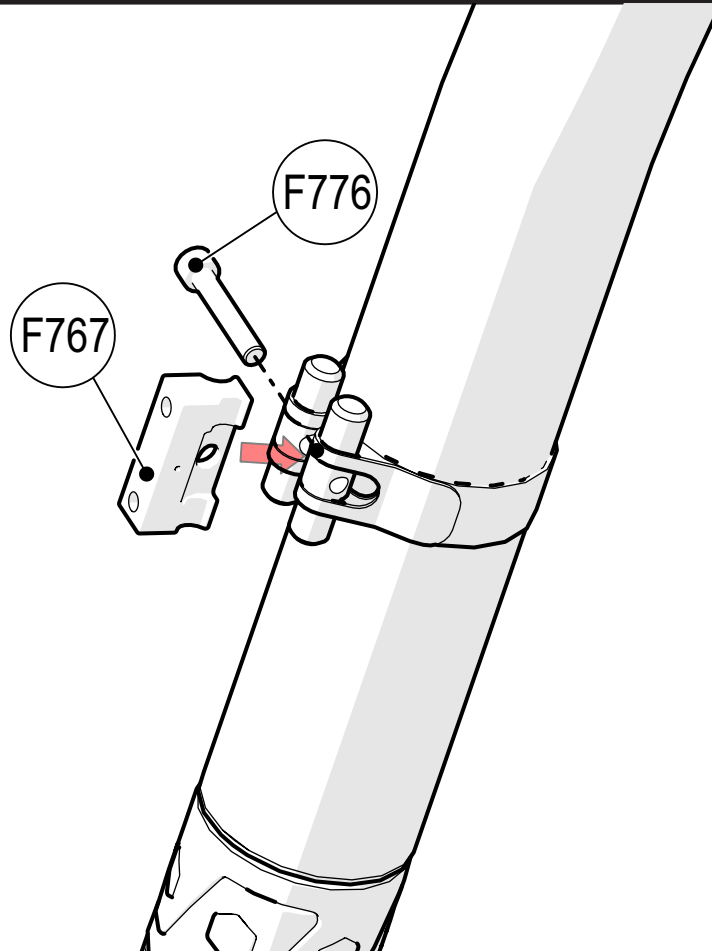
B1 ** General Installation B

F765A	1
-------	---



B2

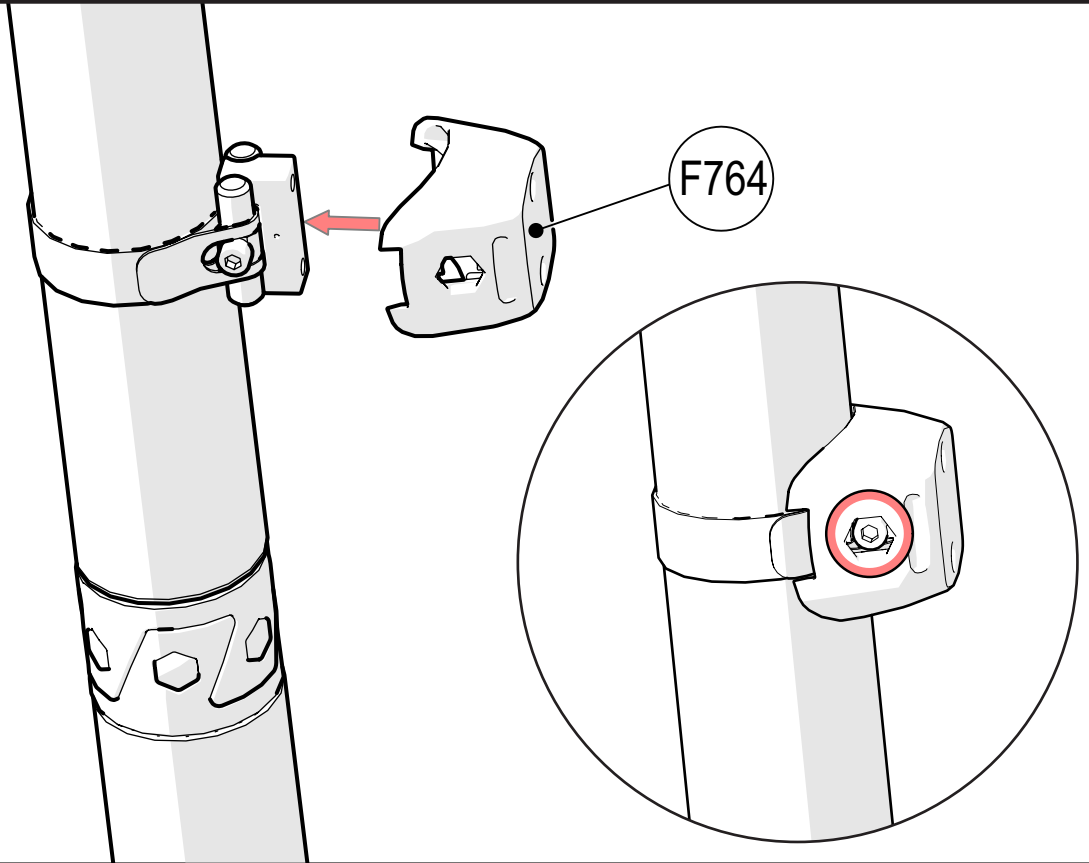
F767	1
F776	1



B3

F764

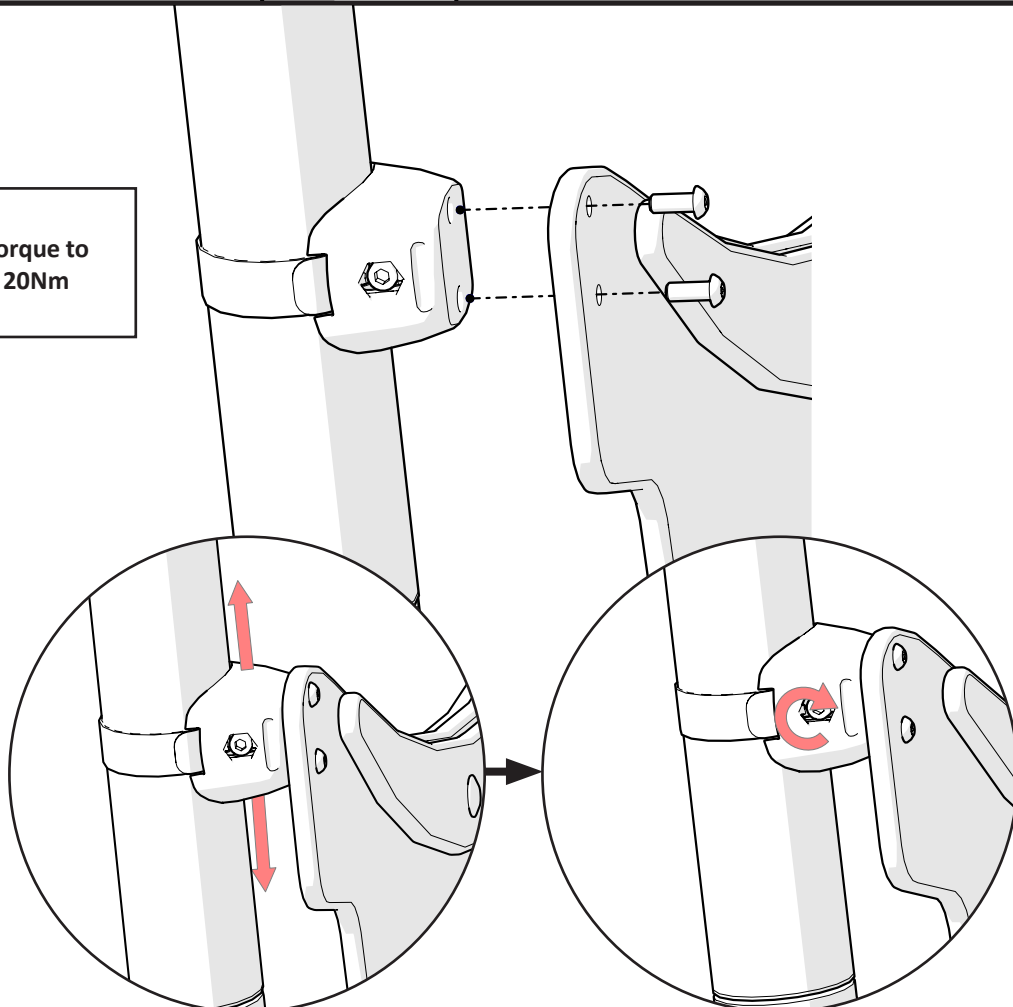
1



B4

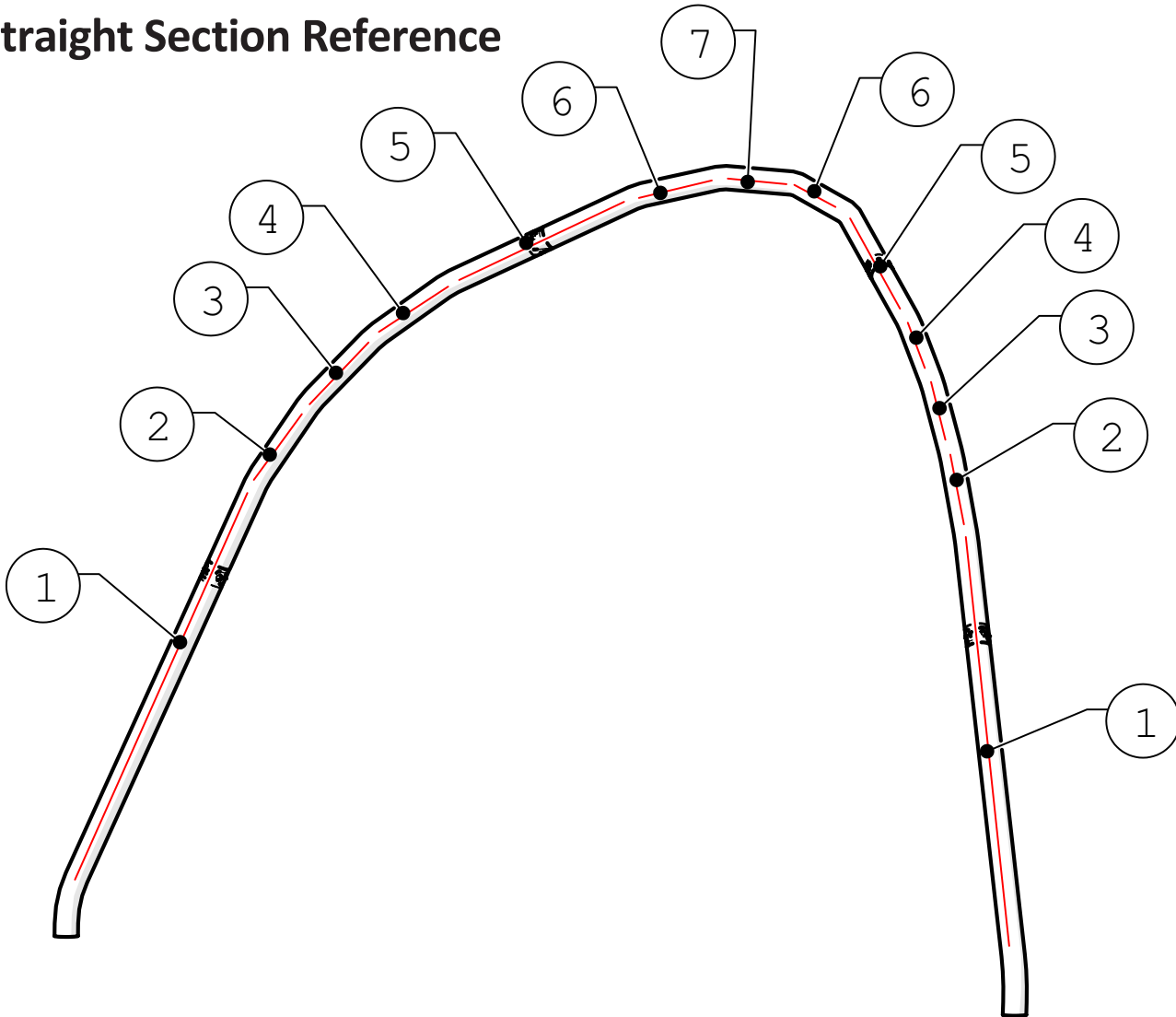


Torque to
20Nm

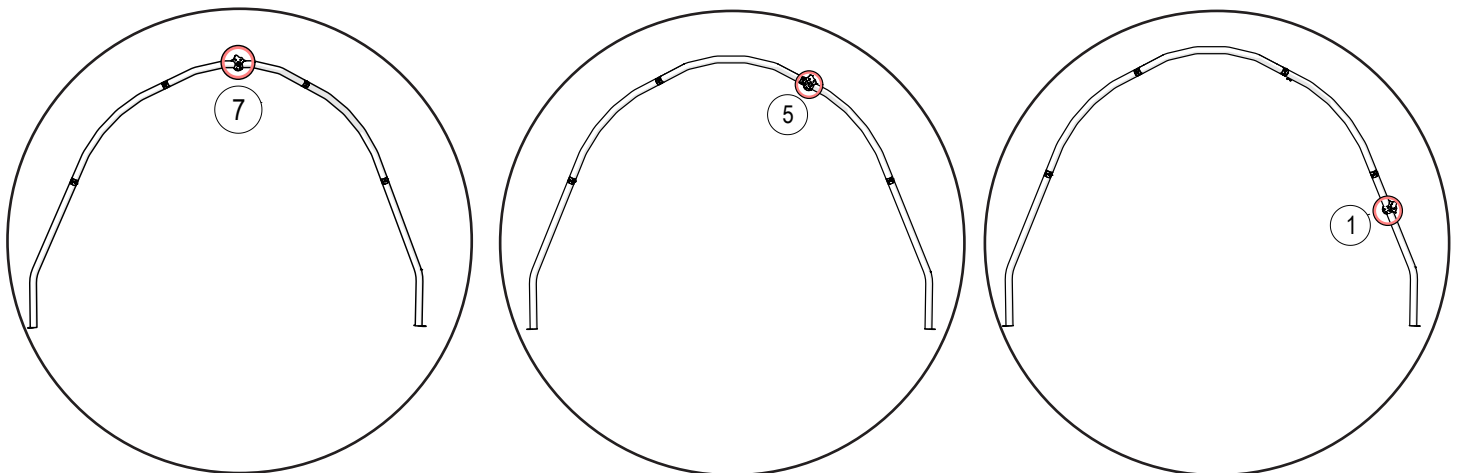


C1 *** General Installation C

Straight Section Reference

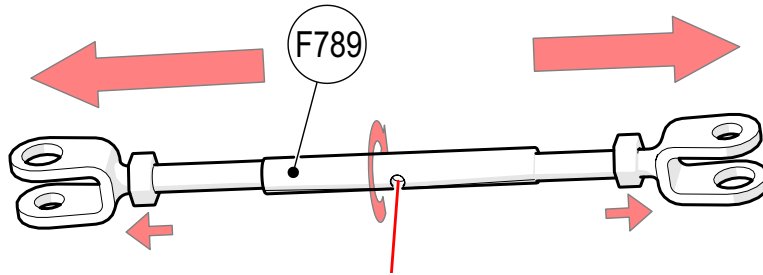


General Installation-C Examples



D1 ****General Installation D

F789	1
------	---



D2

F792	2
F793	2

Torque to 10Nm

CUT LINK, DISCARD EXCESS LINKS

D3

D4

Torque to 30Nm

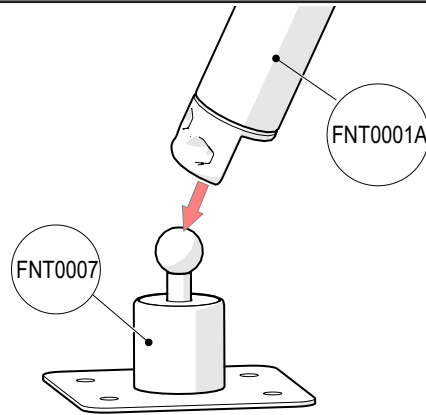
Use small tool

E1

*****General Installation E

FNT0007

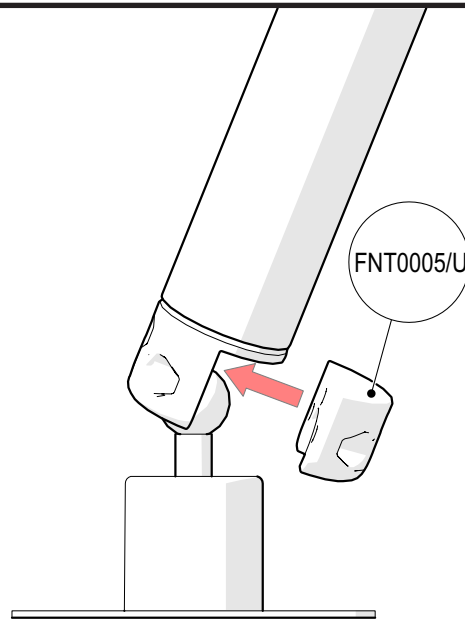
1



E2

FNT0005/U

1



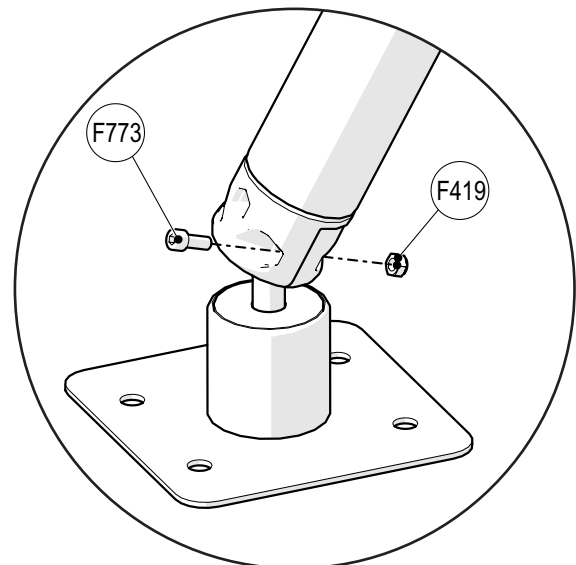
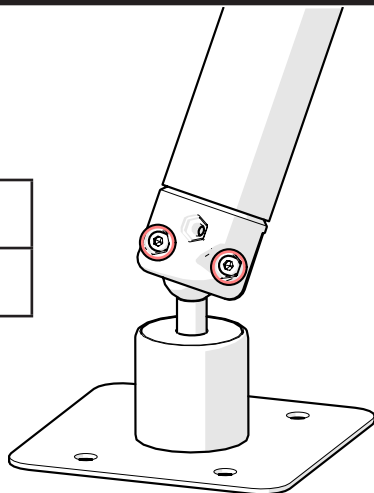
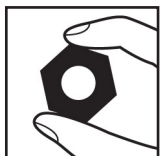
E3

F773

2

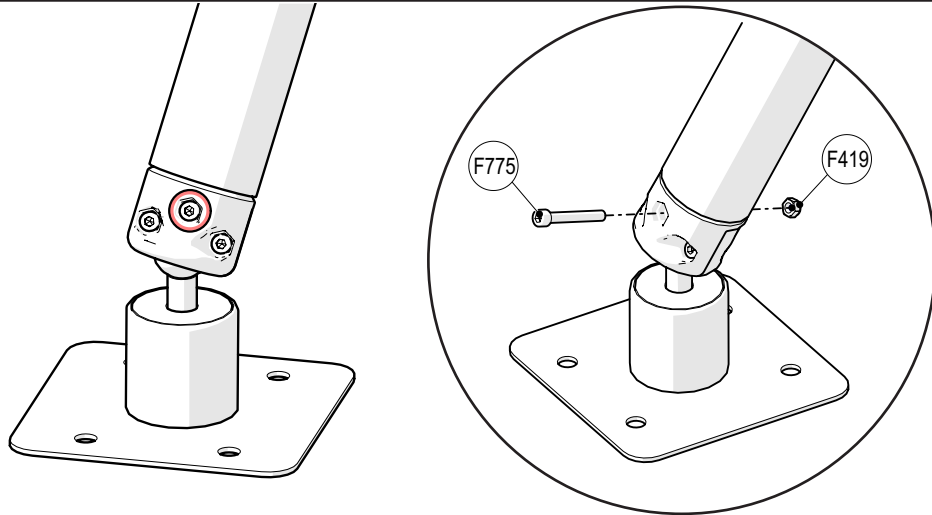
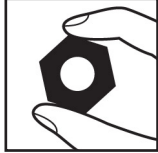
F419

2

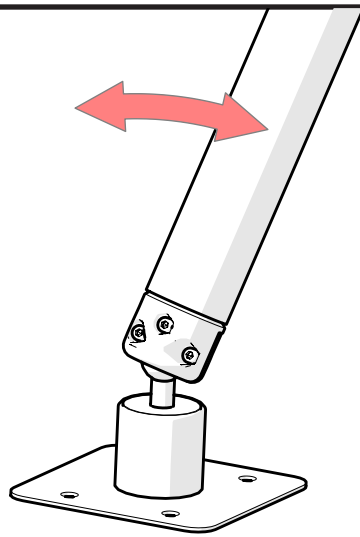


E4

F775	1
F419	1



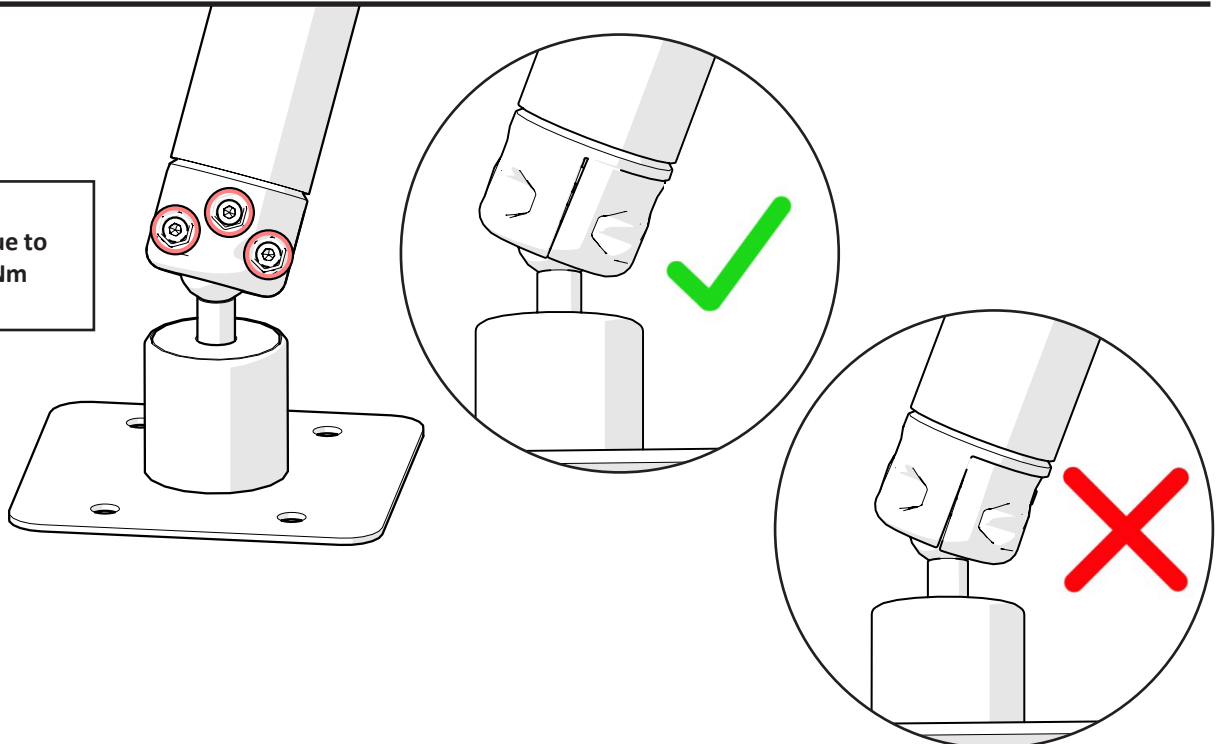
E5

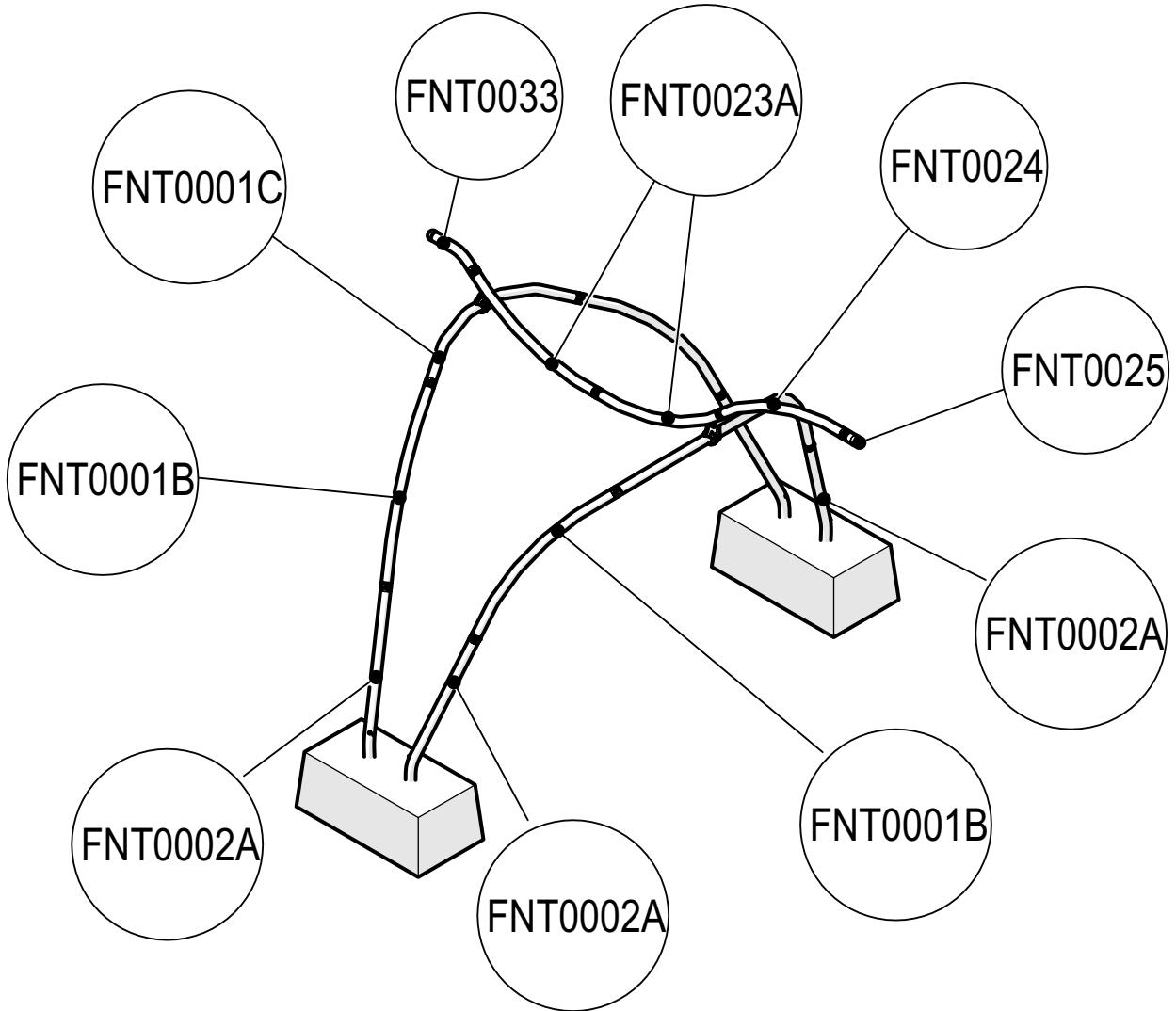


E6



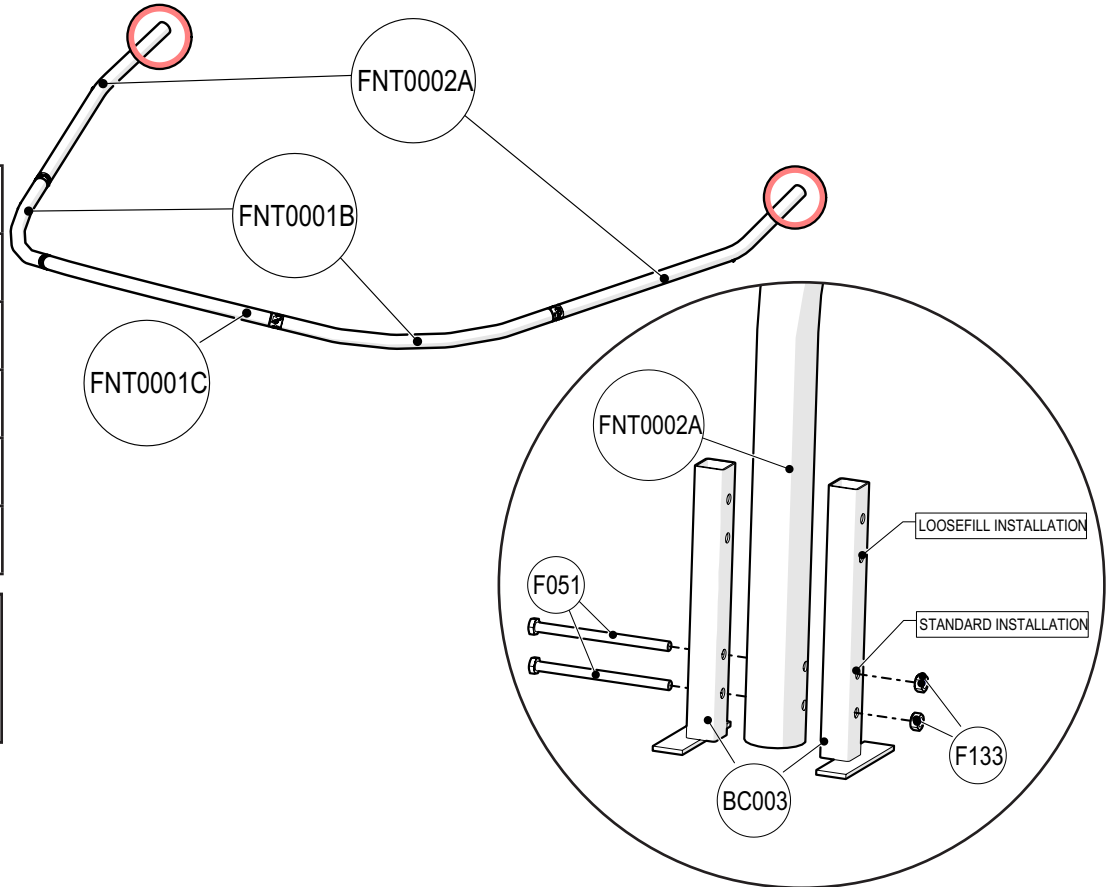
Torque to 20Nm





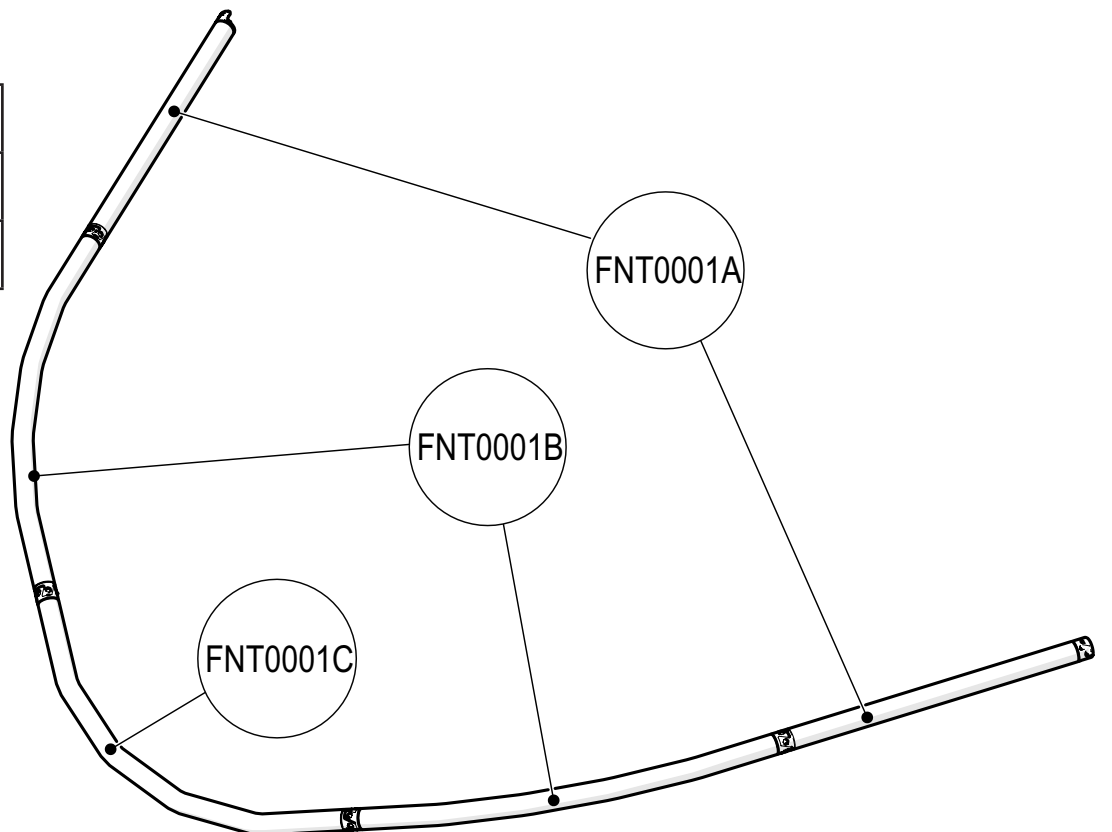
01

FNT0001B	4
FNT0001C	2
FNT0002A	4
BC003	8
F051	8
F133	8

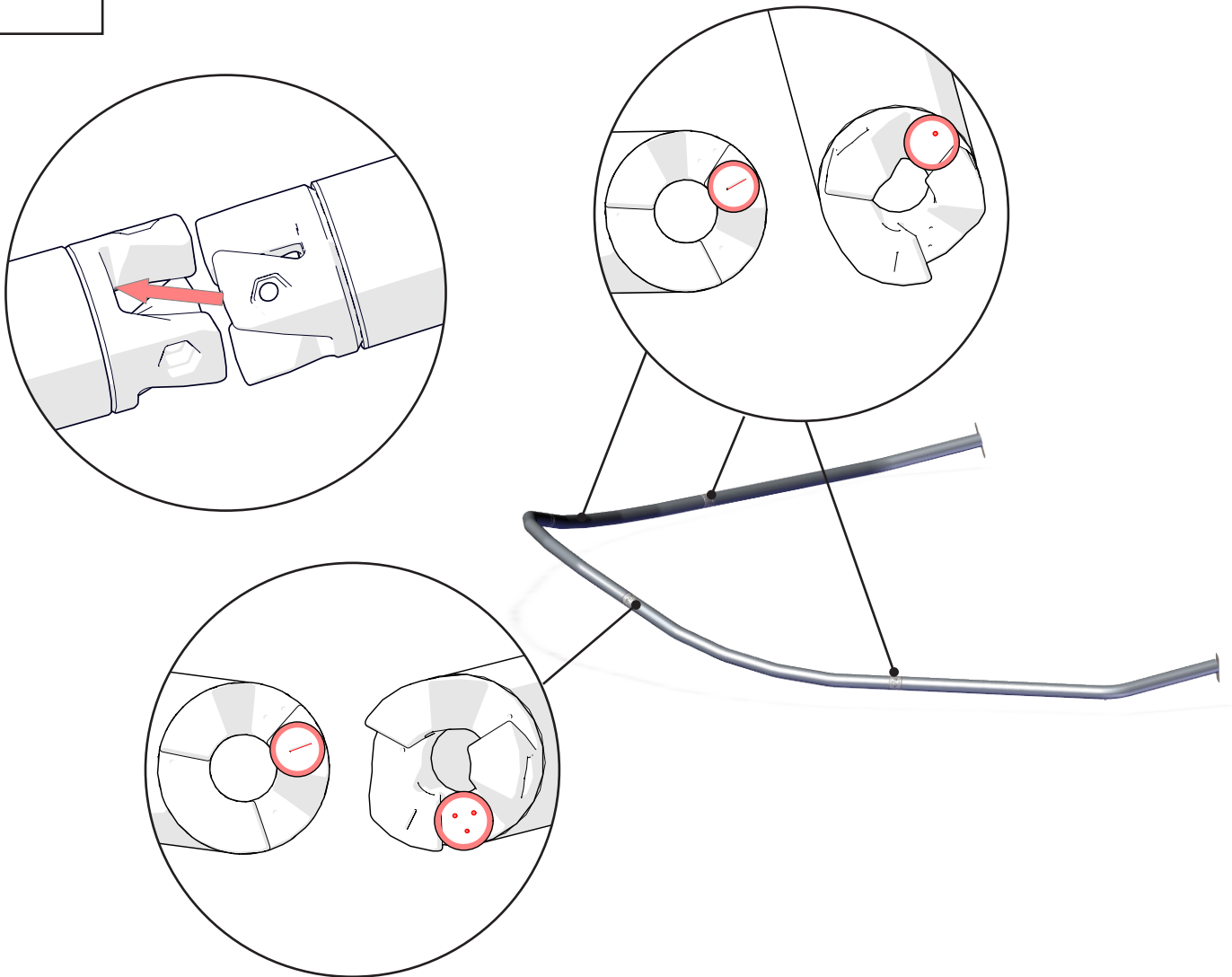


01 SF

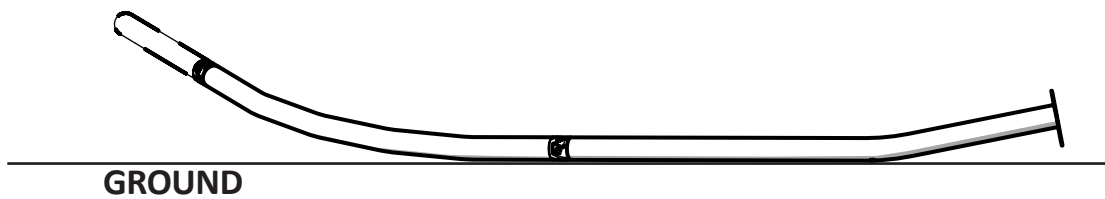
FNT0001B	4
FNT0001C	2
FNT0001A	4



02



**TAKE CARE TO ENSURE FNT001C IS ORIENTATED CORRECTLY.
THIS PART IS HANDED**

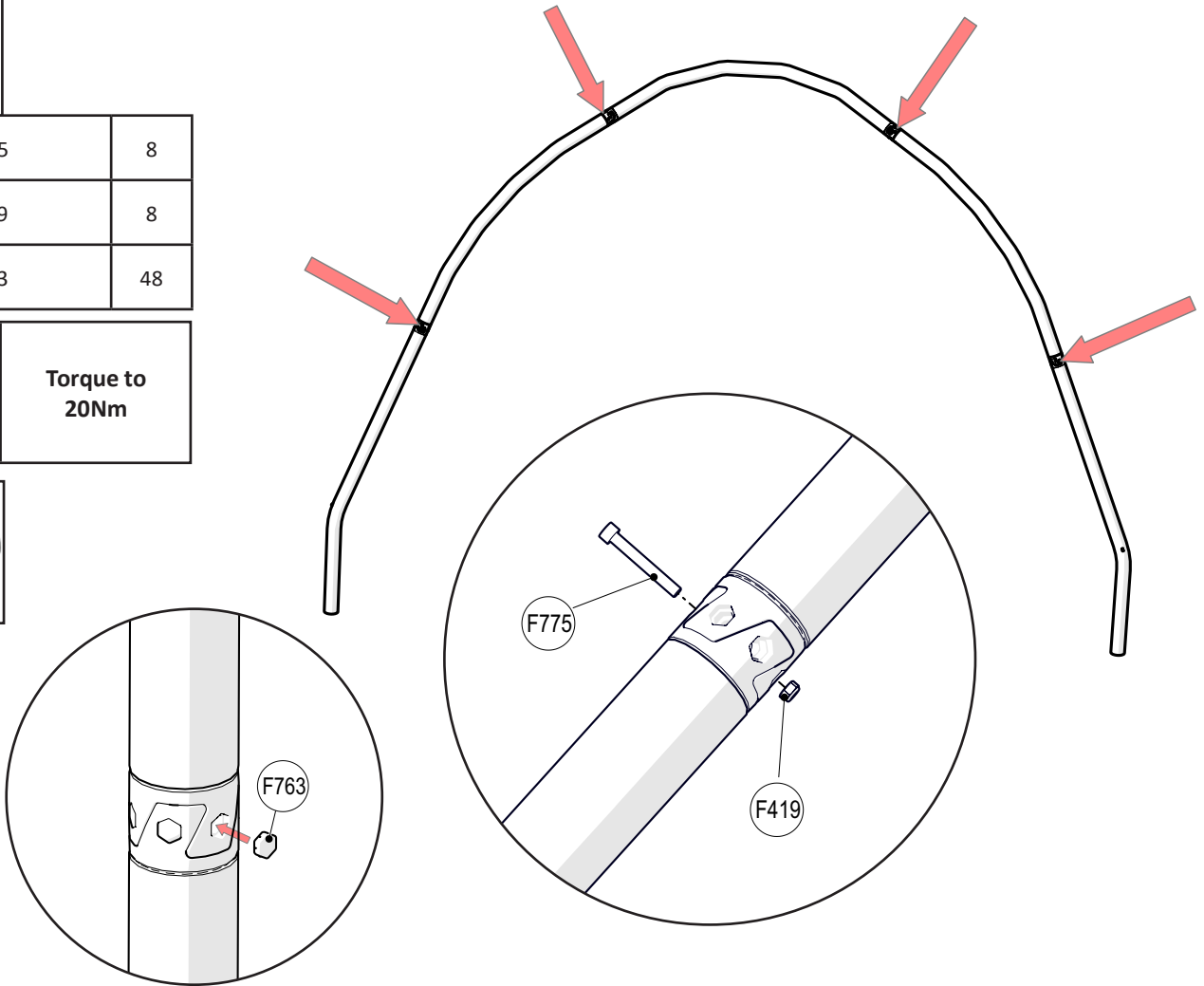


03

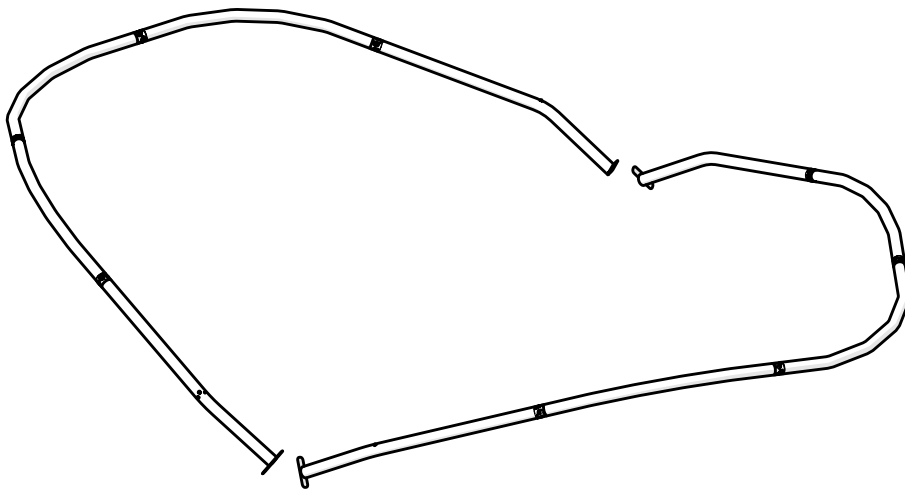
F775	8
F419	8
F763	48



Torque to
20Nm



04



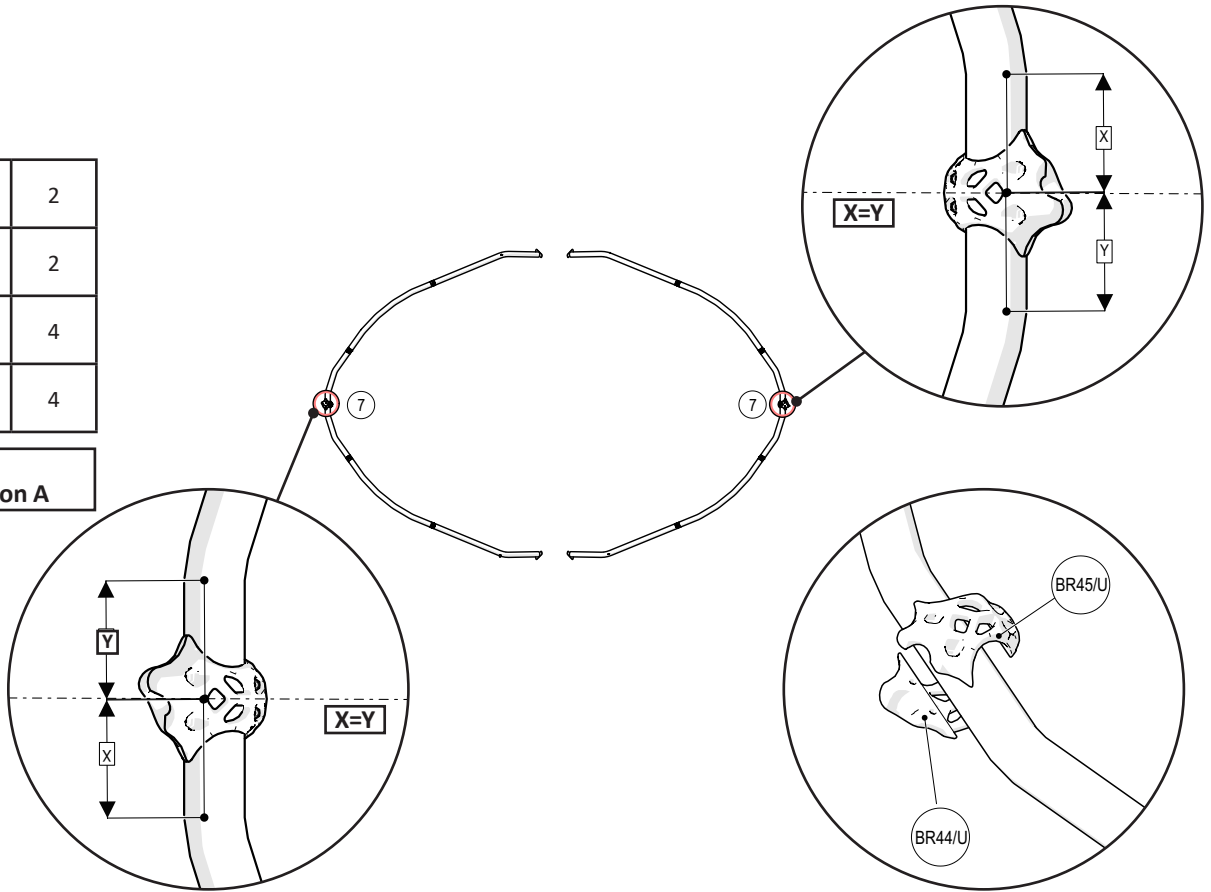
Installation Instruction

INST Nucleus FNT-NUC-01_iss07

05

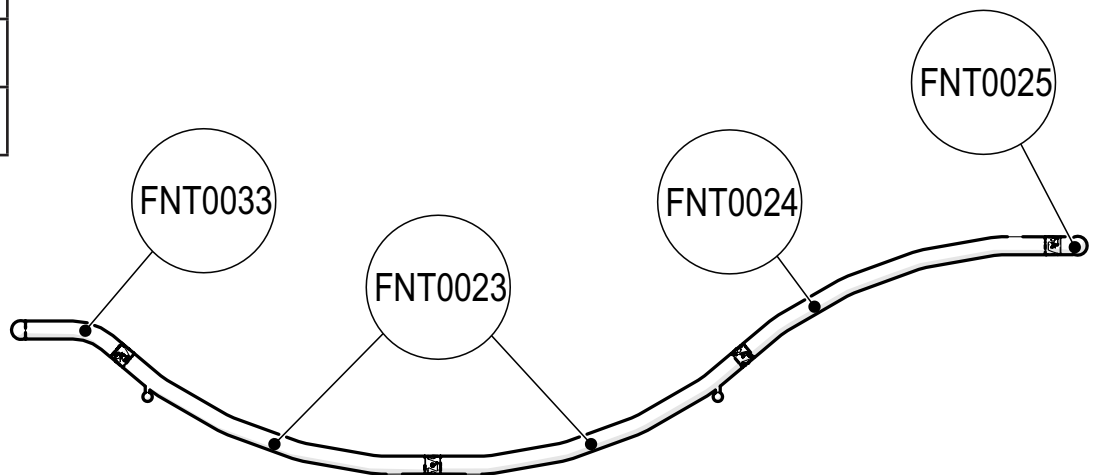
BR44/U	2
BR45/U	2
F774	4
F419	4

Refer to-
* General Installation A

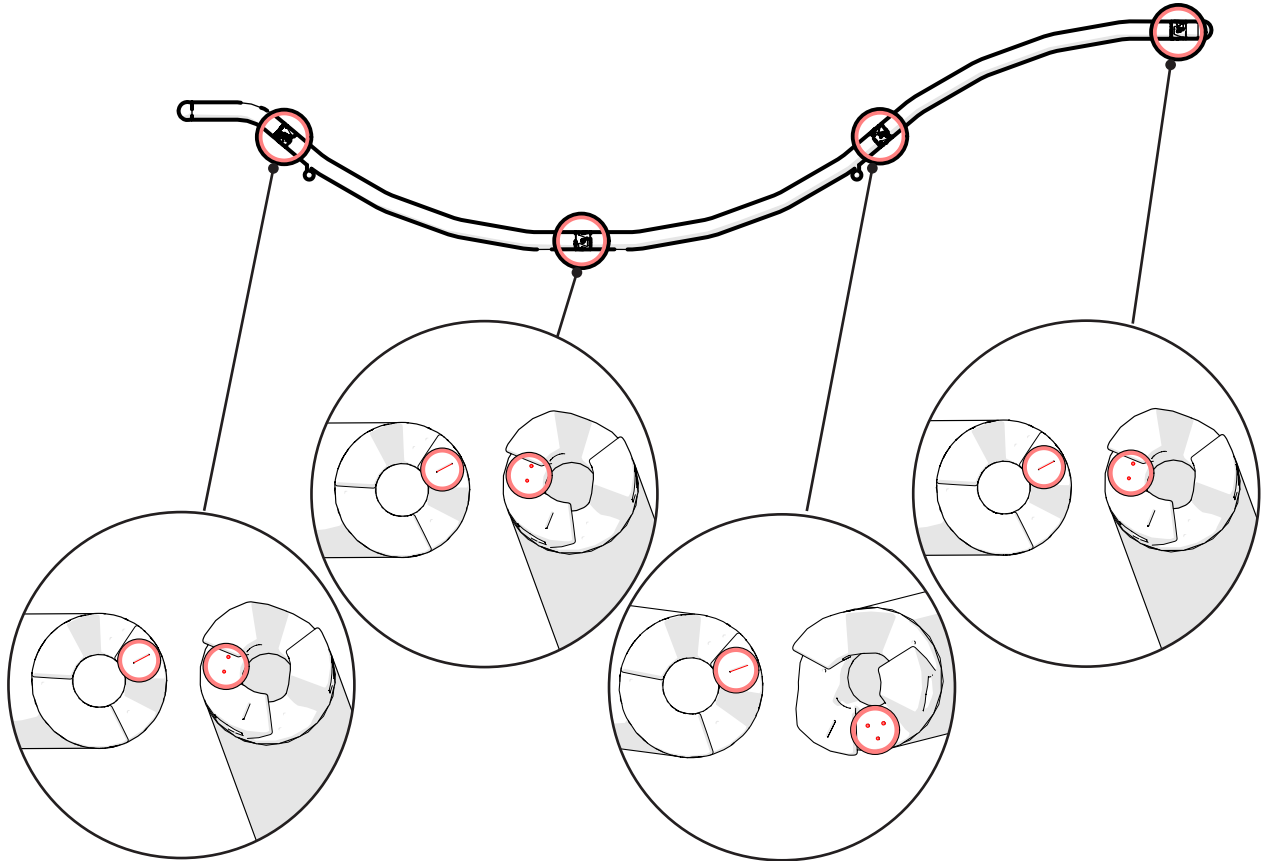


06

FNT0033	1
FNT0023	2
FNT0024	1
FNT0025	1



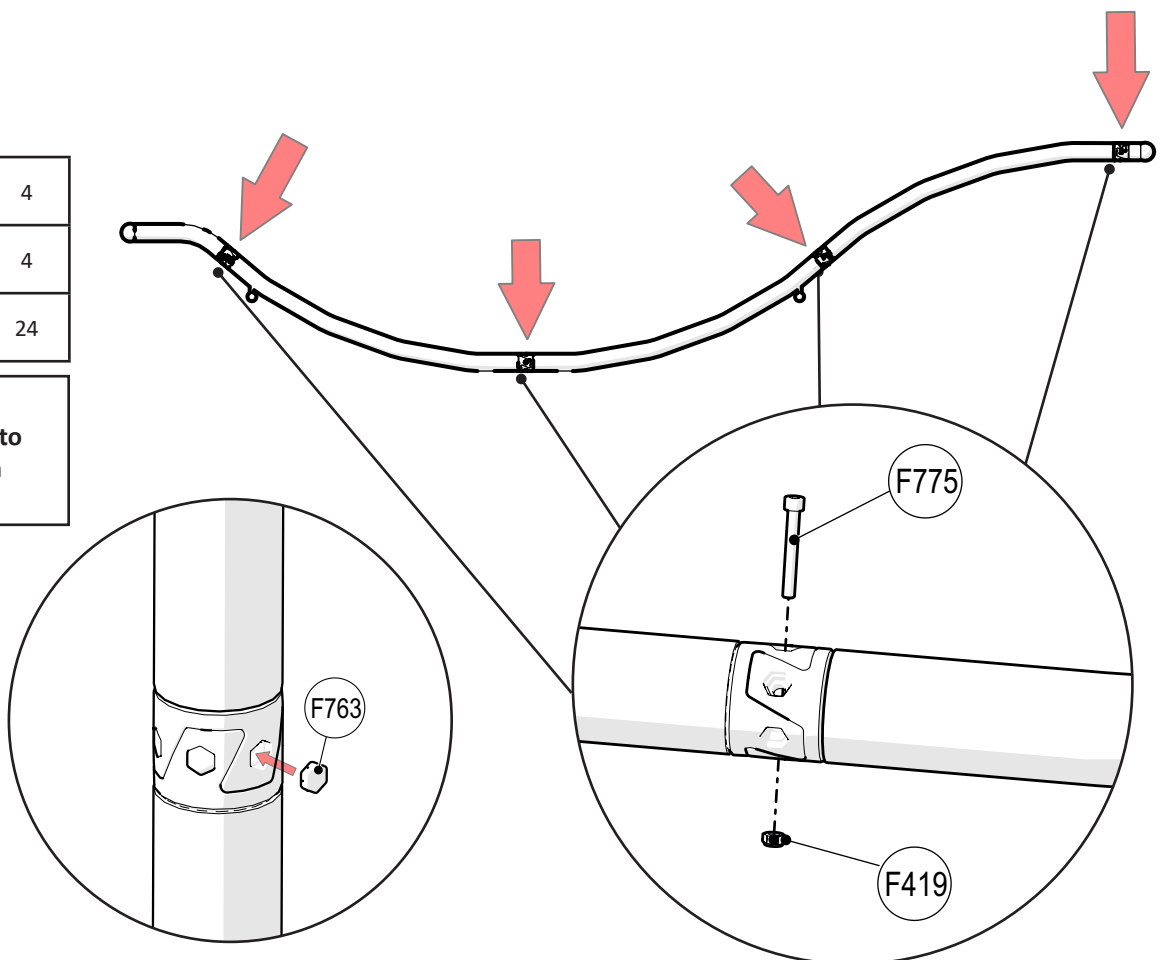
07



08

F775	4
F419	4
F763	24

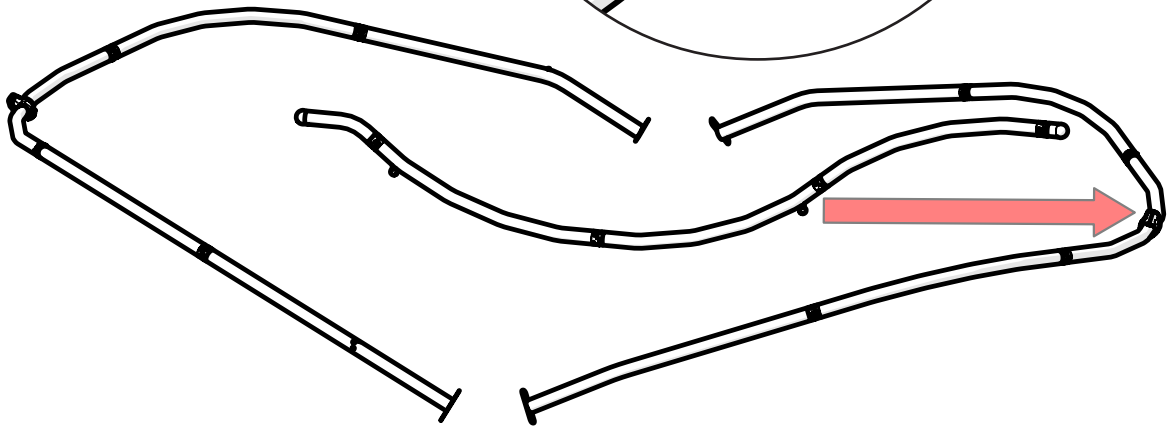
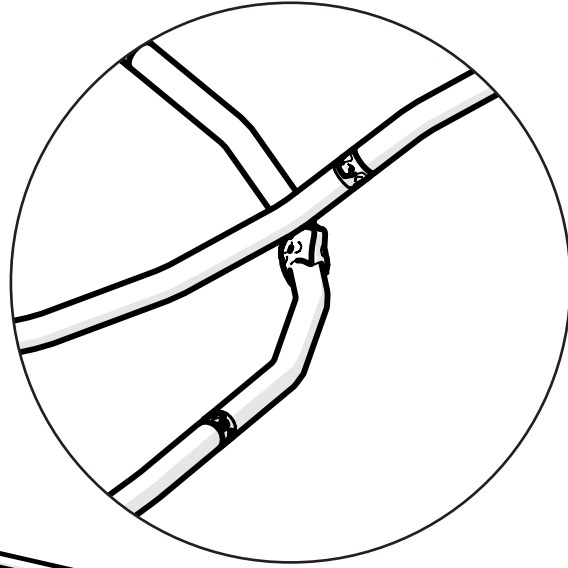
Torque to 20Nm



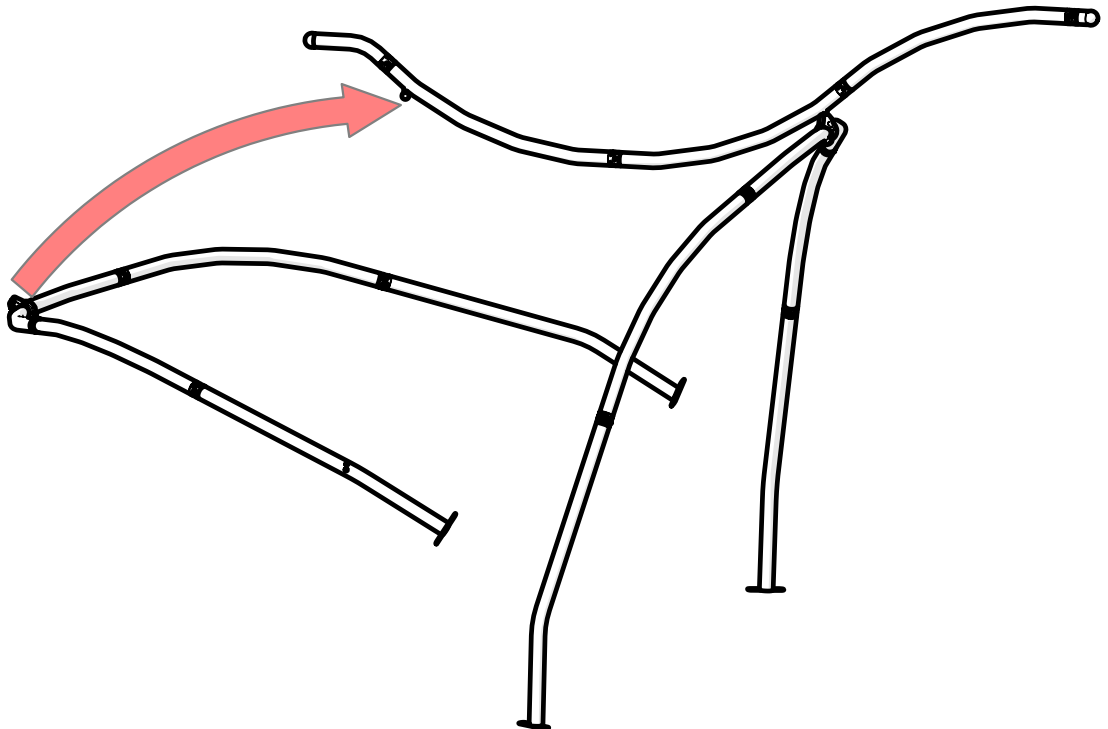
09

F774	2
F419	2

Refer to-
* General Installation A



10



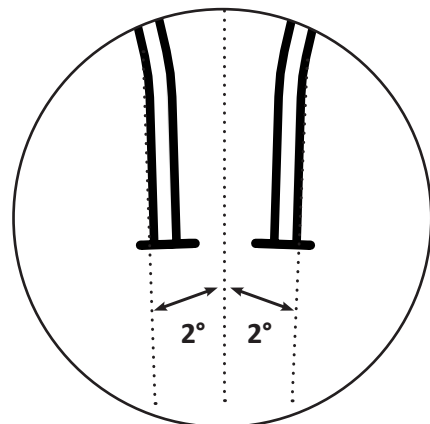
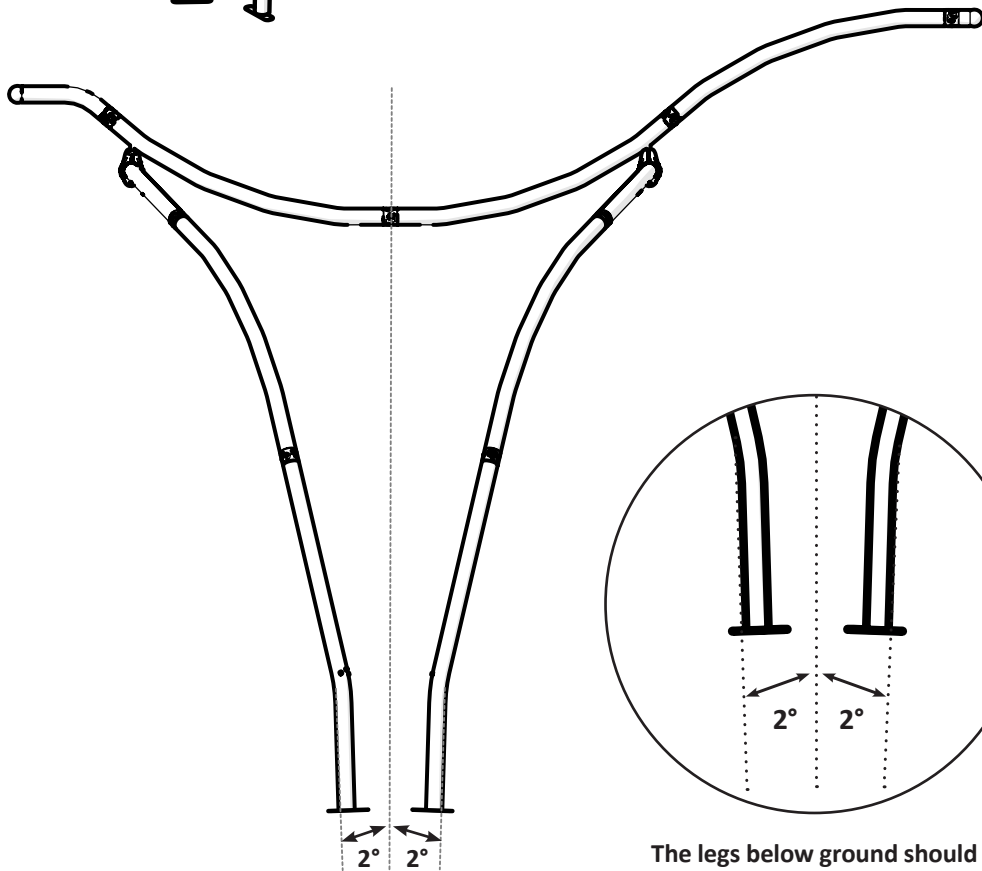
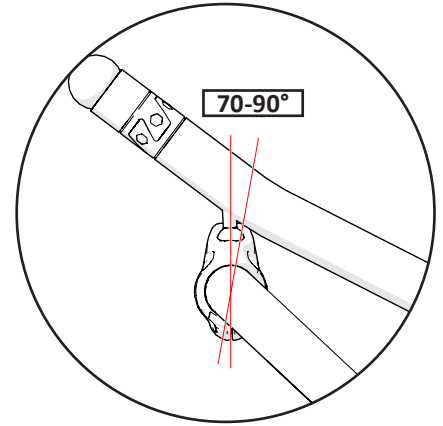
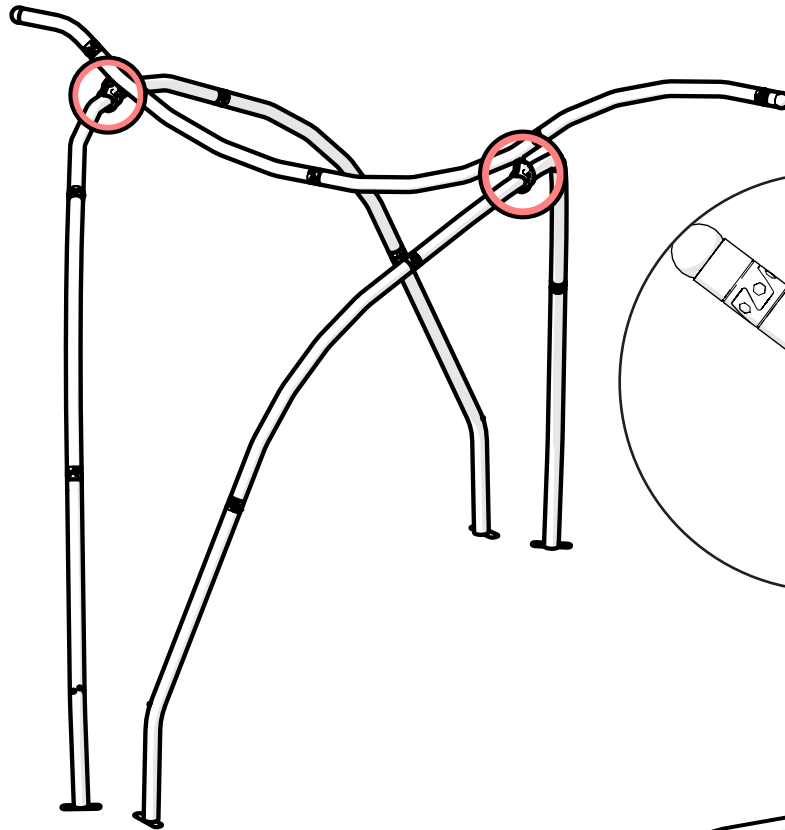
11

F774	4
F419	4
F419	4
F774	4

Refer to-
* General Installation A



Torque to
20Nm

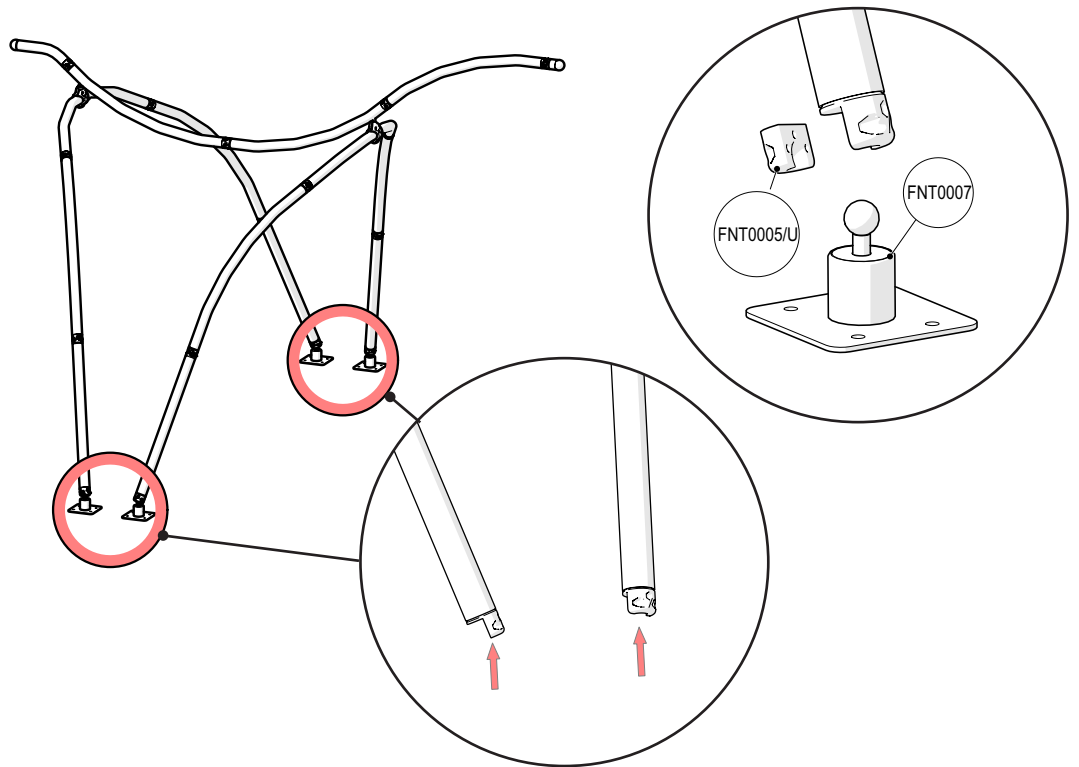


The legs below ground should angle away from plumb by approximately 2°

12 SF

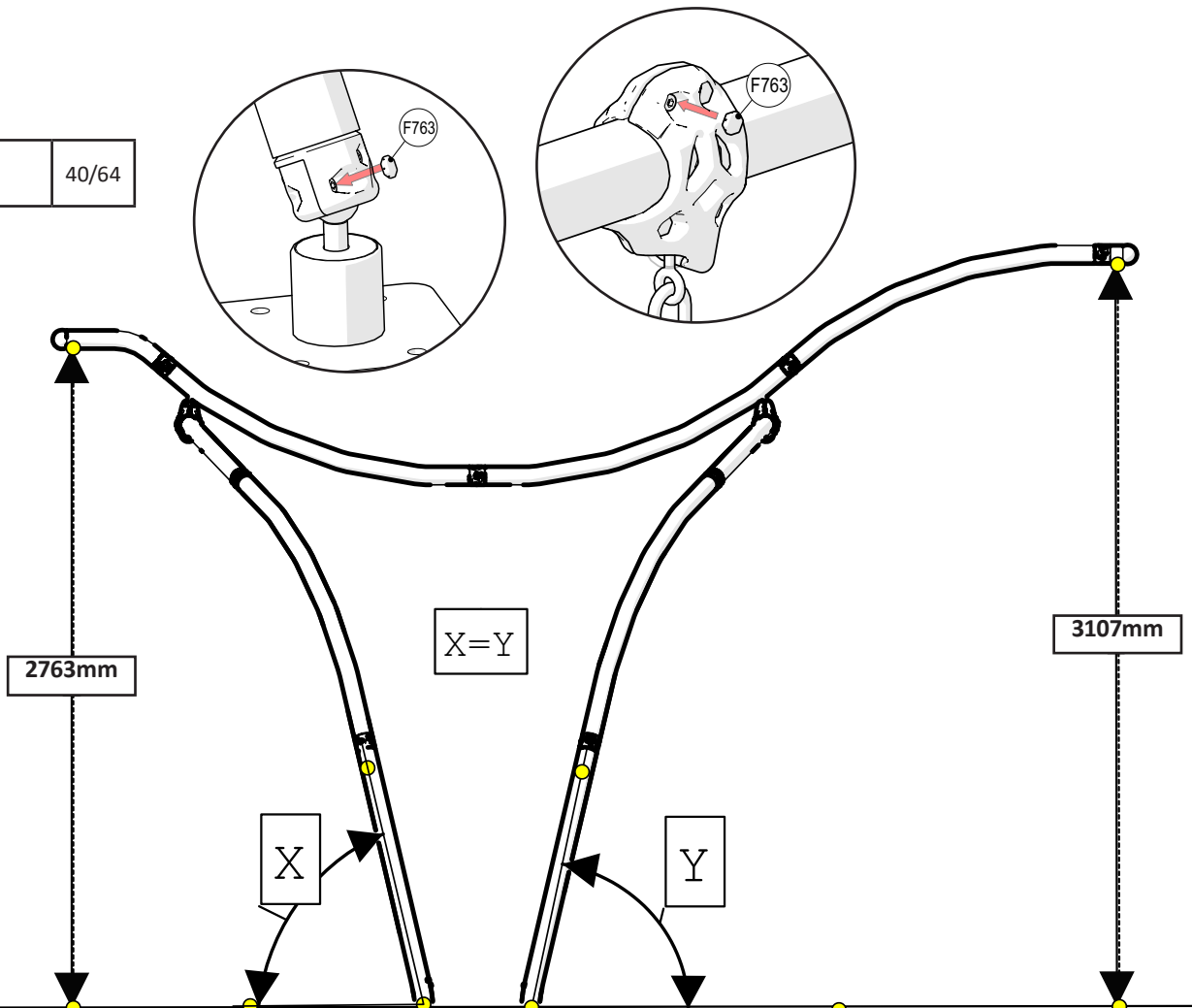
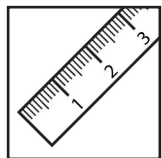
FNT0005/U	4
FNT0007	4
F773	8
F775	4
F419	12

Refer to-
***** General Installation E



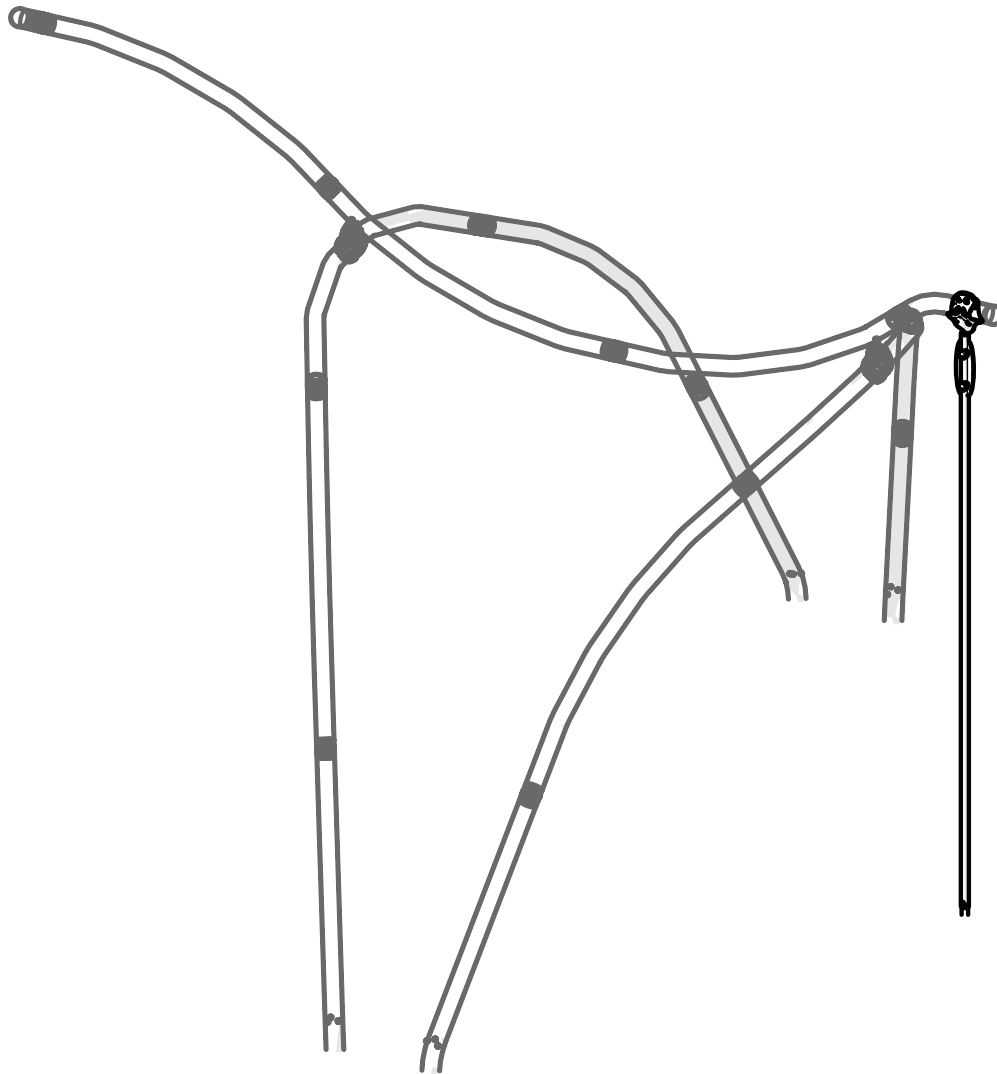
13

F774	40/64
------	-------



Installation Instruction

INST Firemans Pole (Straight) FNT#0L01_iss01



Components

Common Parts List			
Part	Qty	Image	Description
FNT0029	1		Firemans Pole (Straight) - Assembly
BR44/U	1		Ball Joint T Clamp Half 1
BR45/U	1		Ball Joint T Clamp Half 2
Kitting Pack (KT/FNT#0L01)			
Part	Qty	Image	Description
F419	4		M8 S/S Nylock Nut
F479	2		M10 X 16MM SECURITY BOLT
F763	8		Hex Cap
F774	4		M8 X 30mm Socket Cap Screw

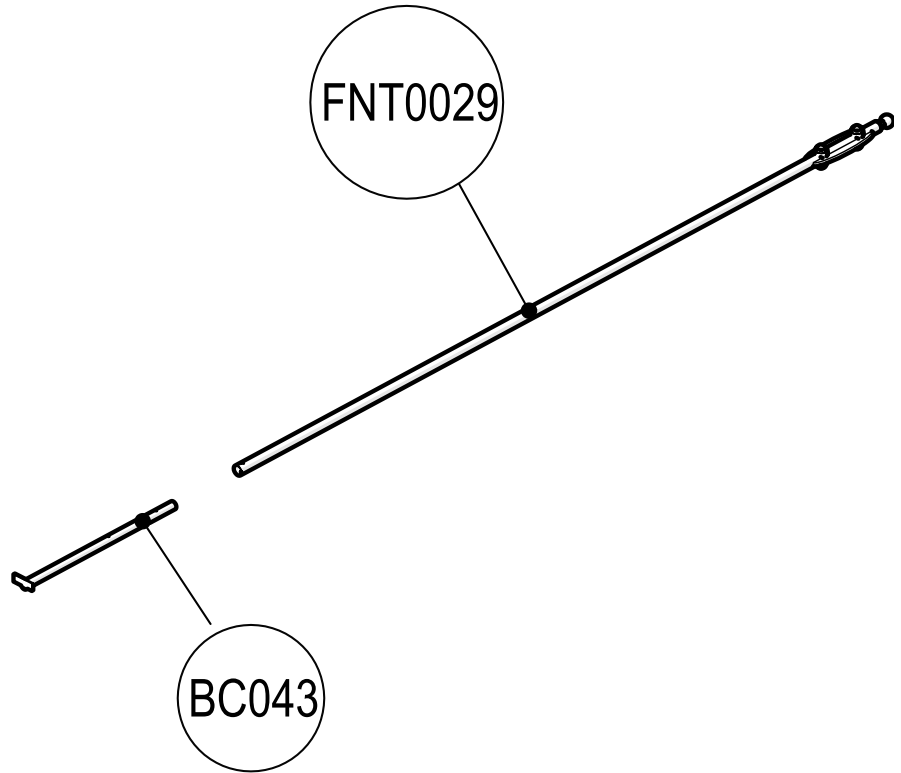
Steel Ground Fixed Additional Parts List			
Part	Qty	Image	Description
BC043	1		33mm PIPE ADJUSTABLE SGF"
Surface Fixed Additional Parts List			
Part	Qty	Image	Description
SG72	1		Jukebox Plus 33mm Pipe SF Assembly

Installation Instruction

INST Firemans Pole (Straight) FNT#0L01_iss01

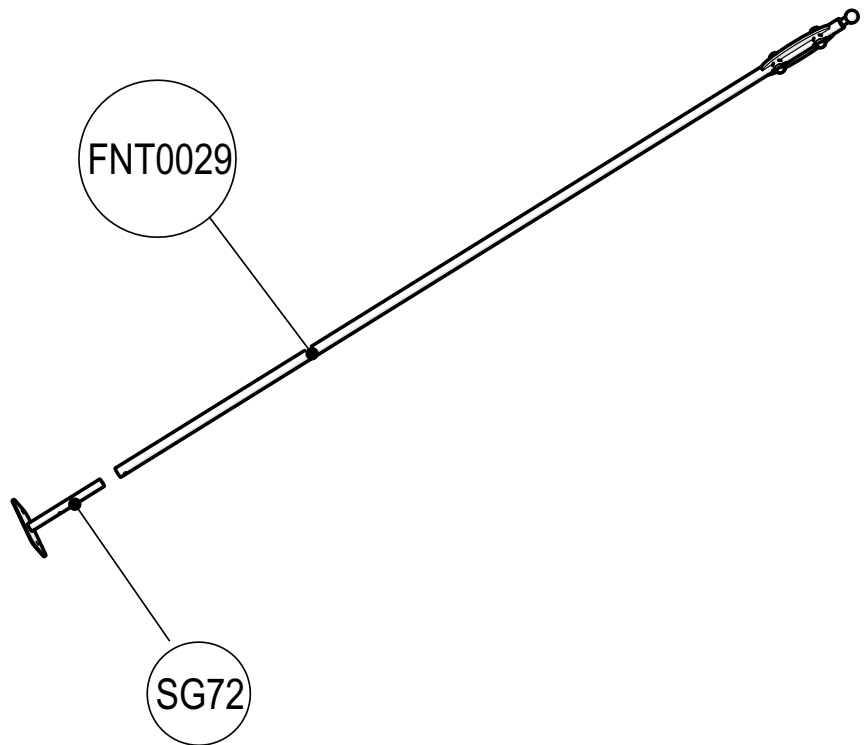
01

FNT0029	1
BC043	1



01 SF

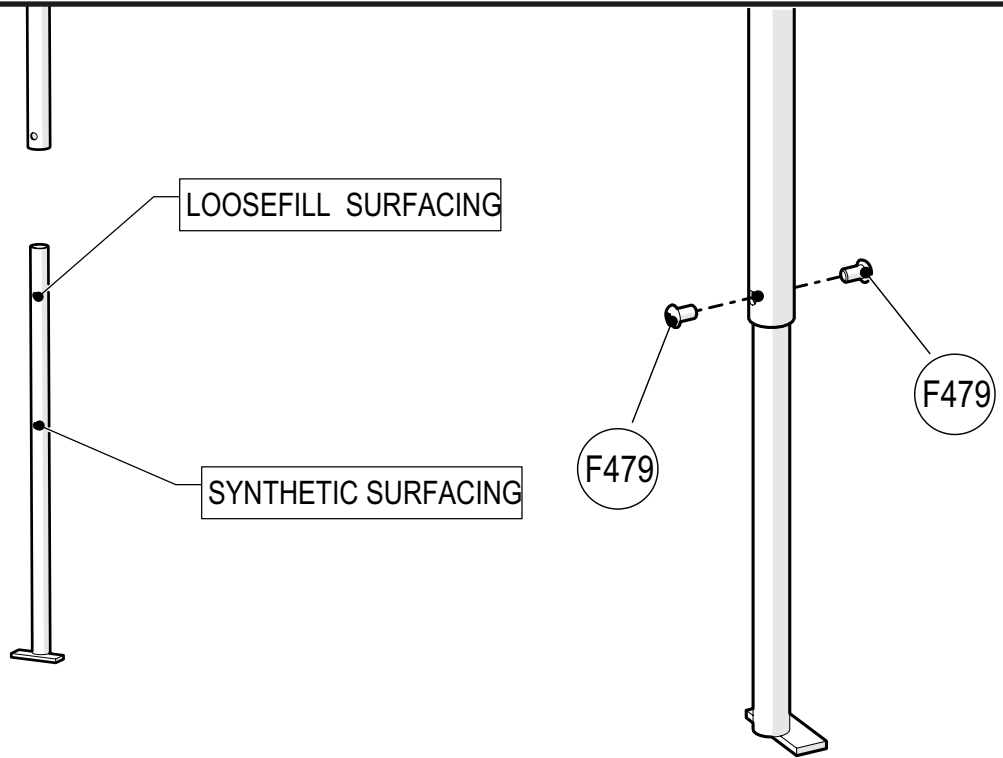
FNT0029	1
SG72	1



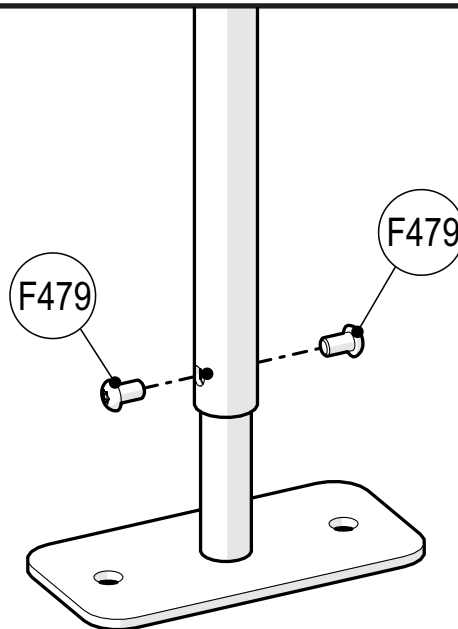
Installation Instruction

INST Firemans Pole (Straight) FNT#0L01_iss01

02	
F479	2
	Torque to 10Nm



02 SF	
F479	2
	Torque to 10Nm



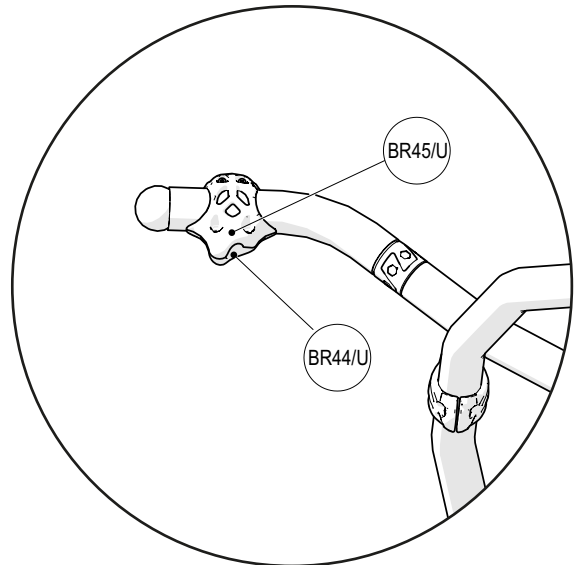
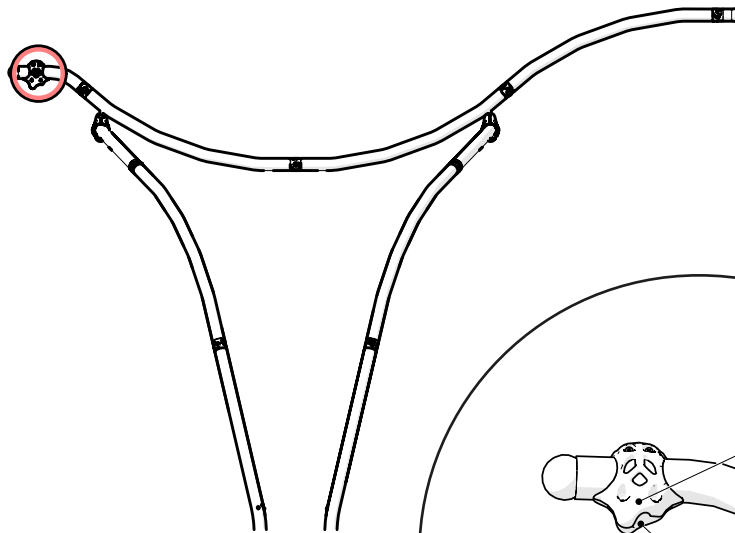
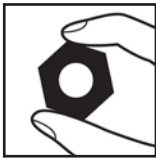
Installation Instruction

INST Firemans Pole (Straight) FNT#0L01_iss01

03

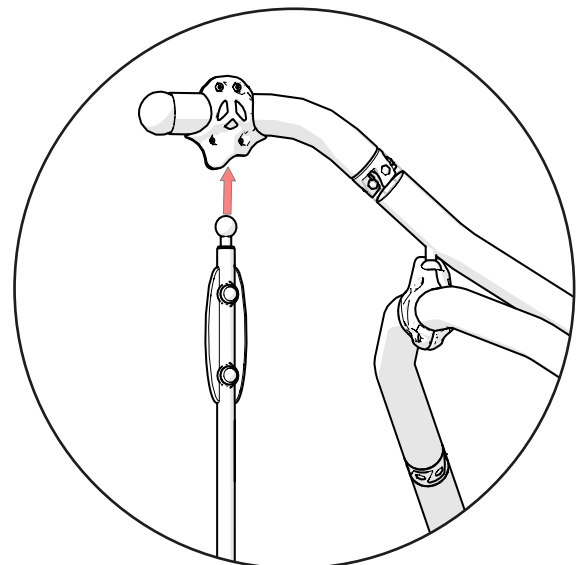
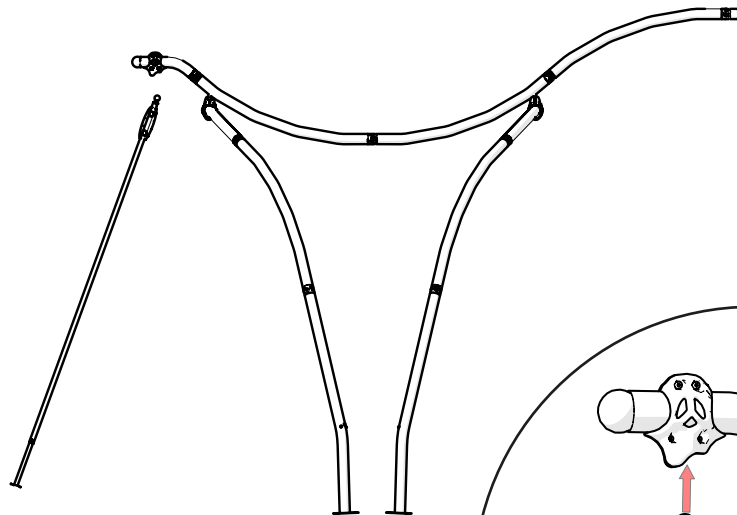
BR44/U	1
BR45/U	1
F419	4
F774	4

Refer to-
* General Installation A



04

Refer to-
* General Installation A



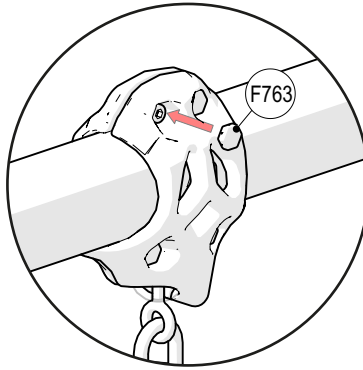
Installation Instruction

INST Firemans Pole (Straight) FNT#0L01_iss01

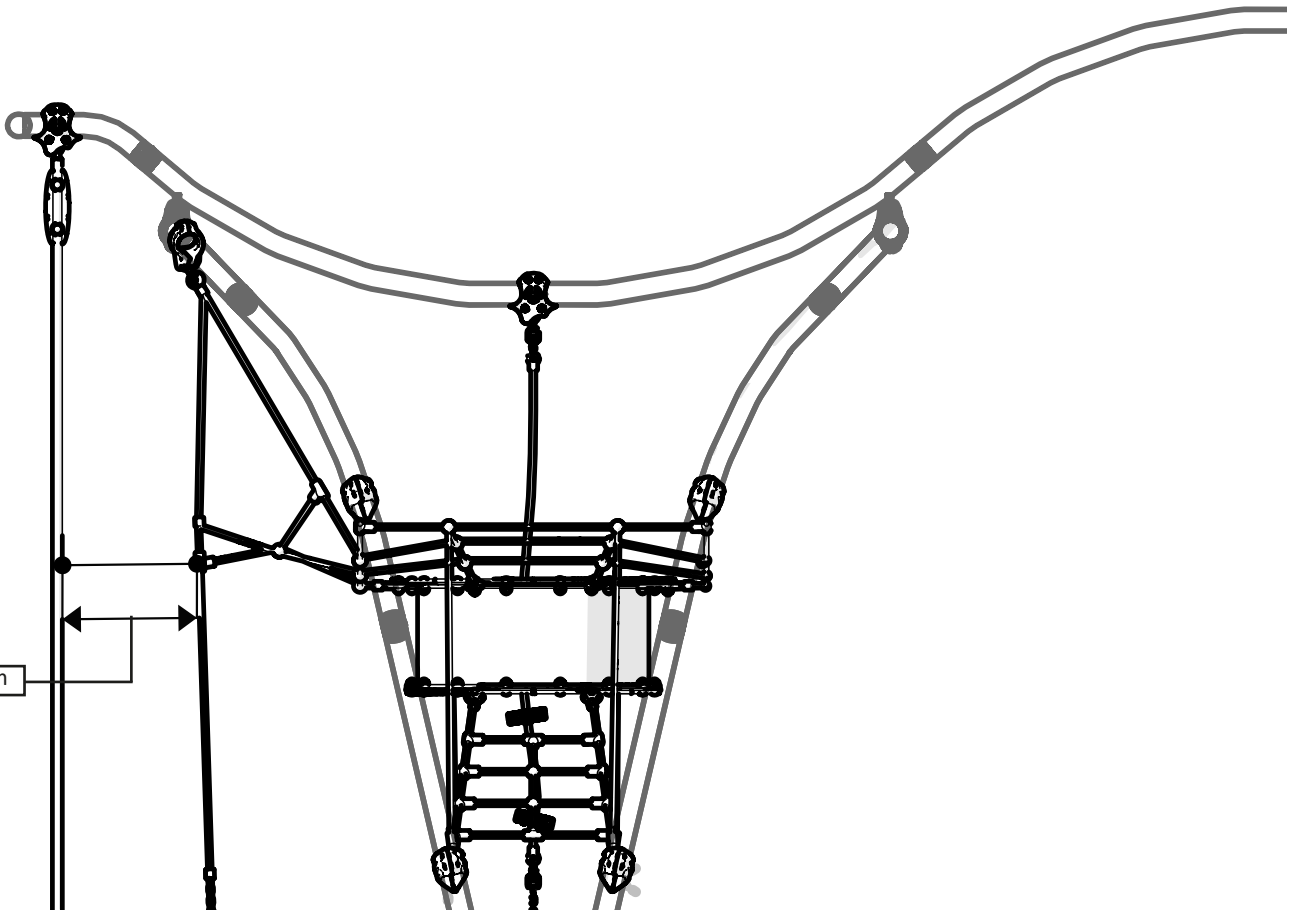
05

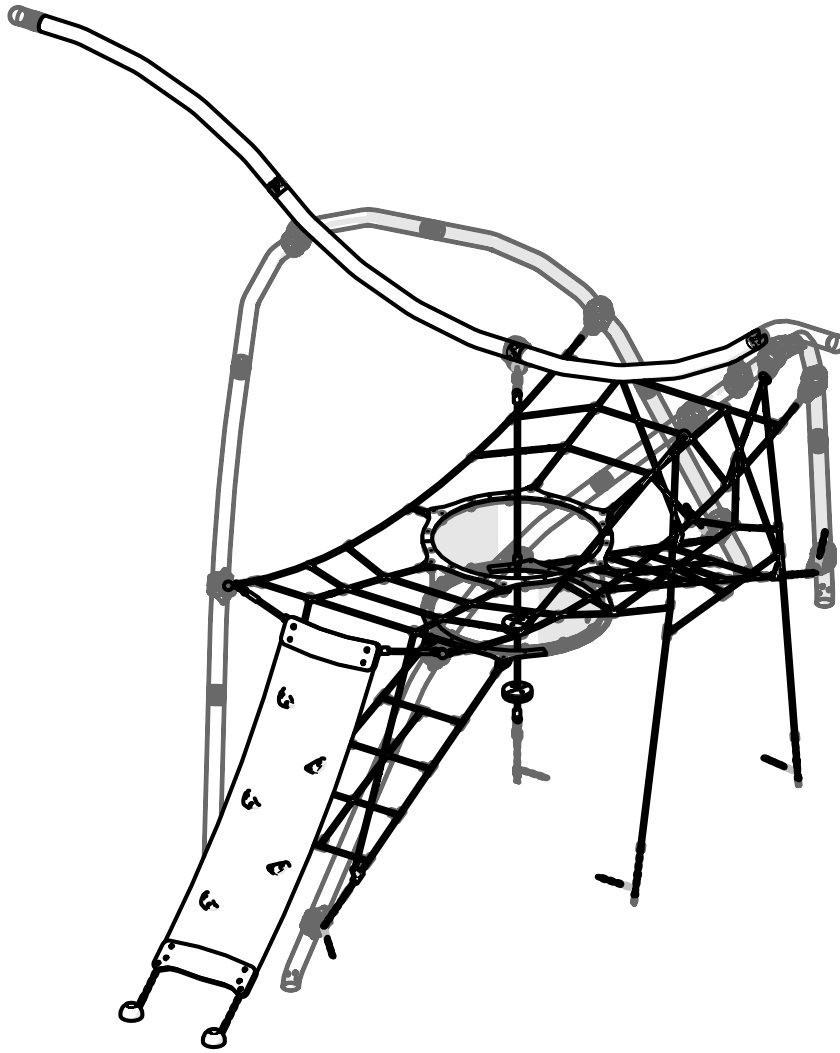
F763

8

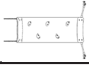



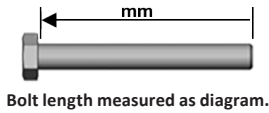
460 - 508mm




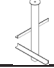



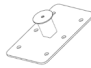


Components

Common Parts List			
Part	Qty	Image	Description
FNT0038	1		Inclined Access Conveyor Assembly
CBC017C	2		Scramble Net Ground Anchor



Bolt length measured as diagram.

Kitting Pack (KT/FNT#0J01)			
Part	Qty	Image	Description
F213	2		Split Link Assembly Inc. Bolt
Steel Ground Fixed Additional Parts List			
Part	Qty	Image	Description
SG89A	2		Twisted Climbing Net SGF Leg
BC048	2		Adjustable SGF Leg
F038	2		M10 x 55 Hex Head Bolt
F137	2		M10 Nylock Nut
Surface Fixed Additional Parts List			
Part	Qty	Image	Description
SG81	2		Jukebox Plus Twisted Scramble Net Surface Fixing

Installation Instruction

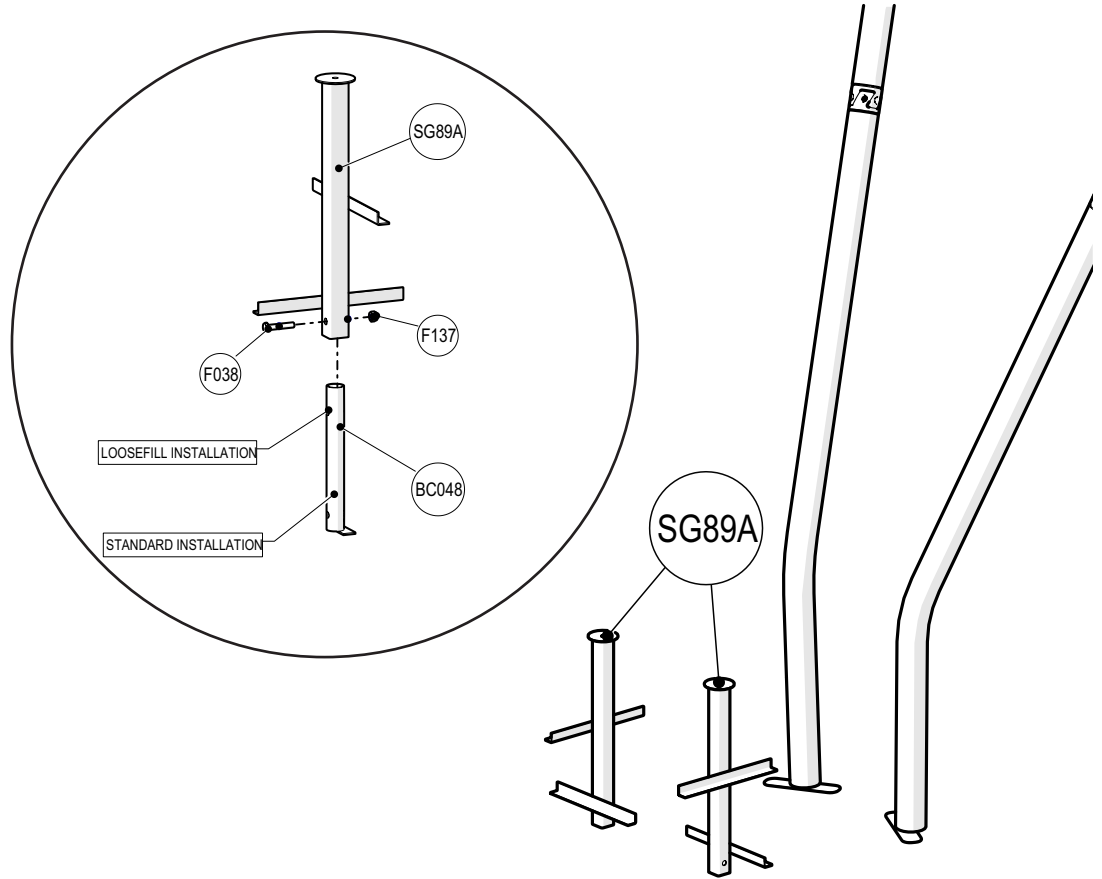
INST Inclined Access FNT#0J01_iss03

01

SG89A	2
BC048	2
F038	2
F137	2

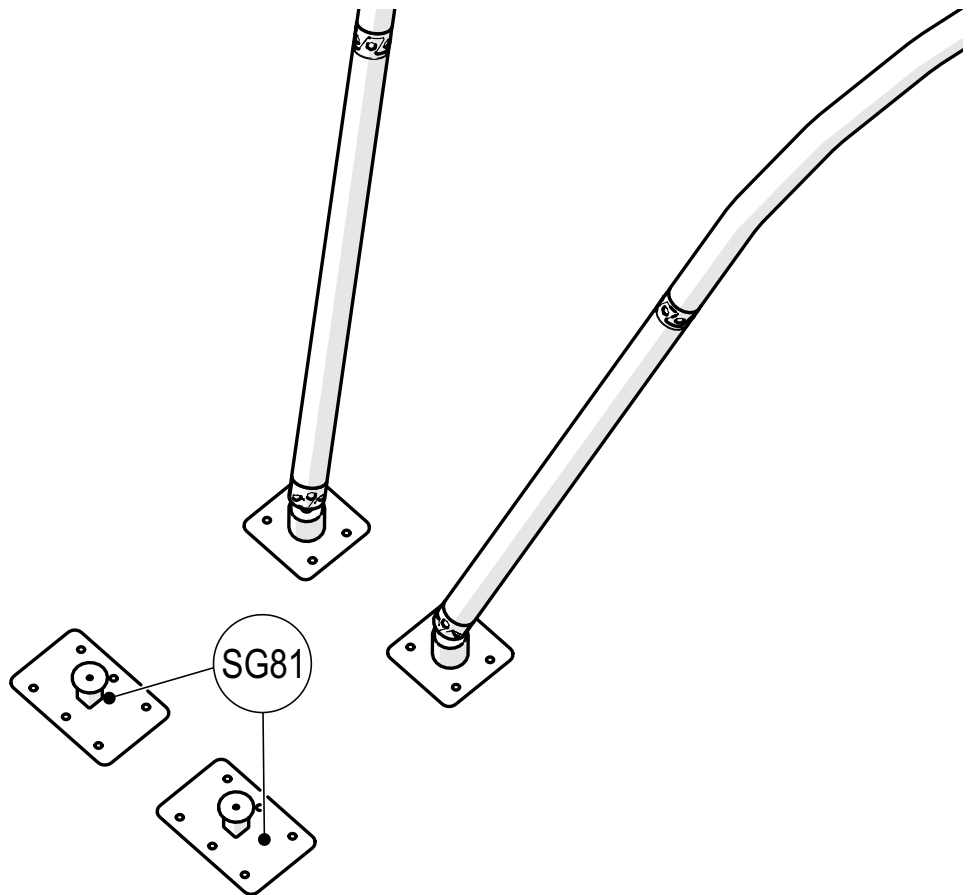


Torque to
10Nm



01 SF

SG81	2
------	---

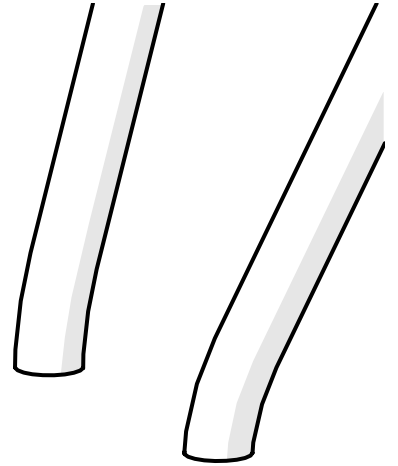
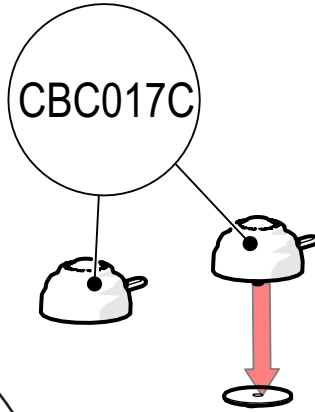
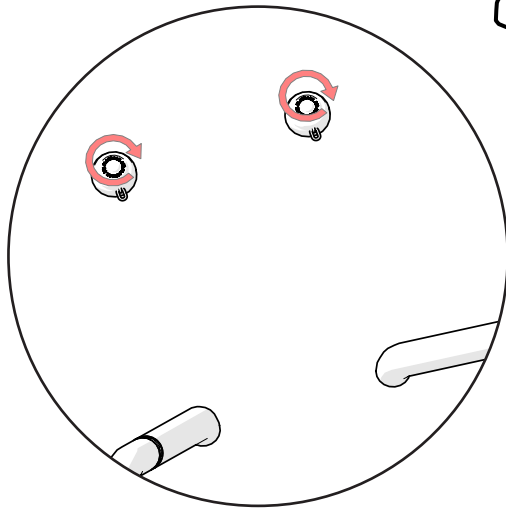


02

CBC017C

2

CBC017C

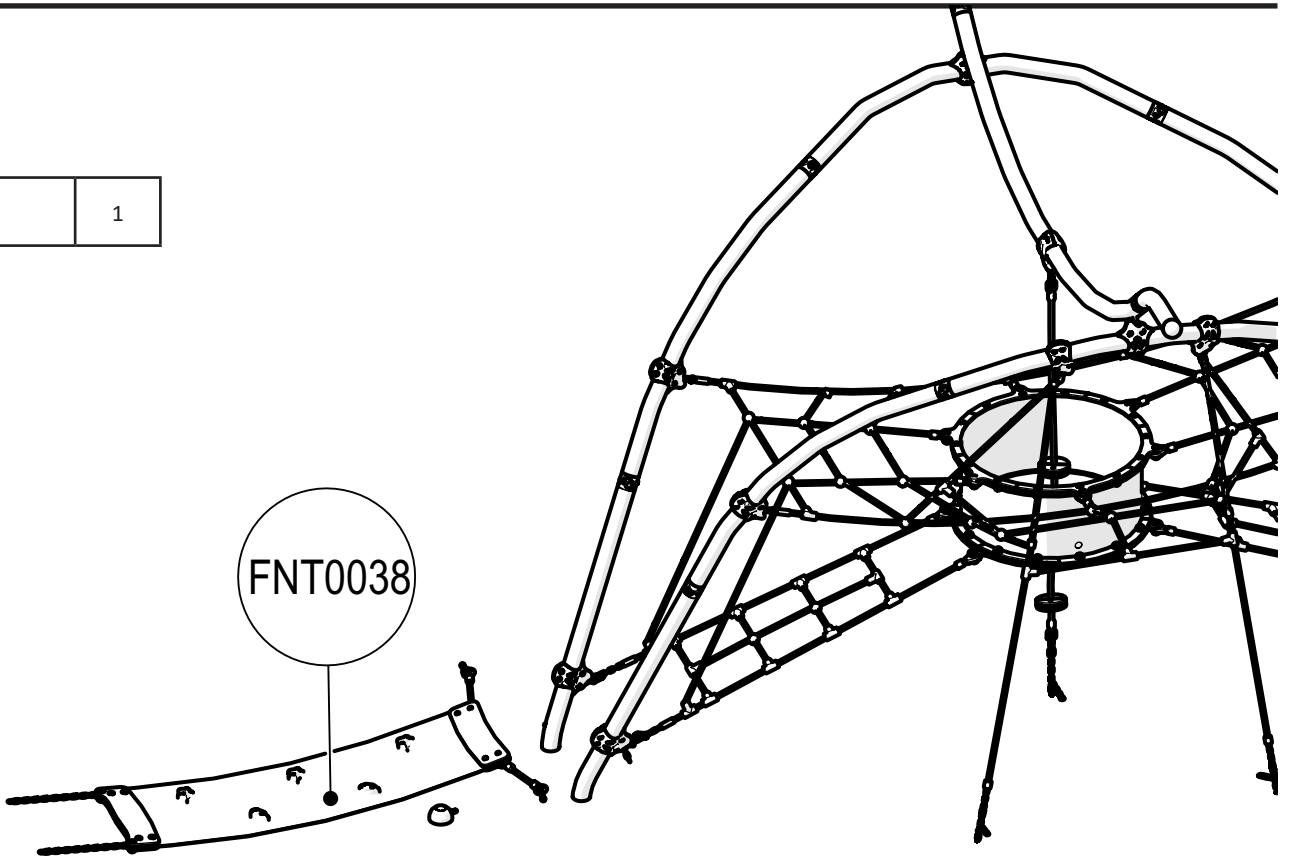


03

FNT0038

1

FNT0038



04

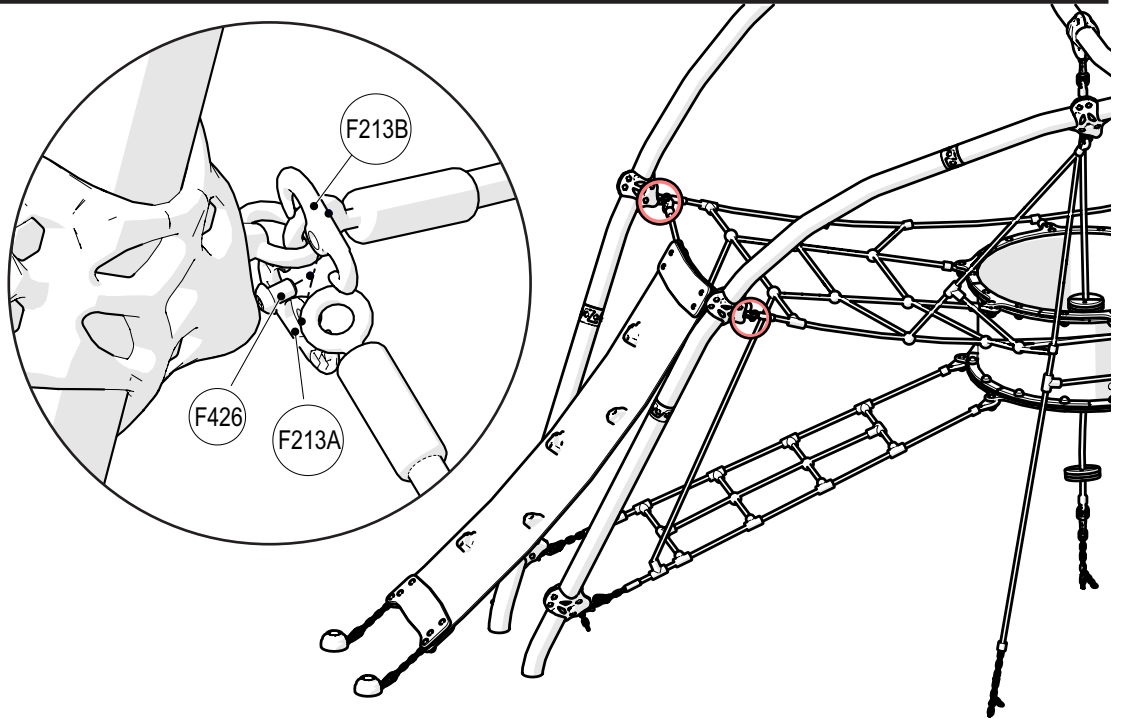
F213

2

Refer to-
* General Installation A



Torque to
10Nm



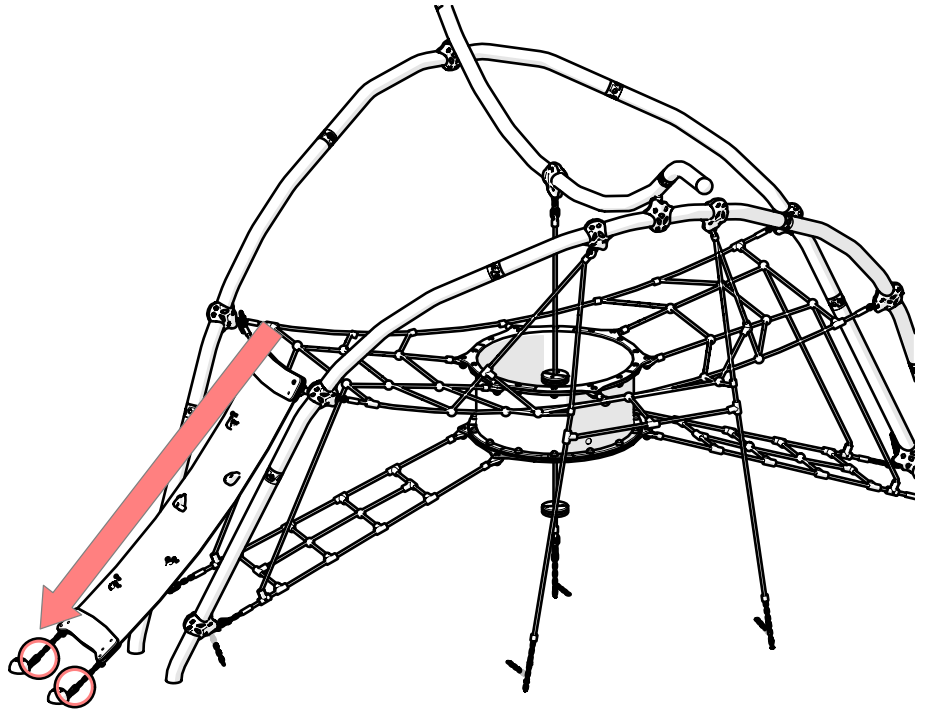
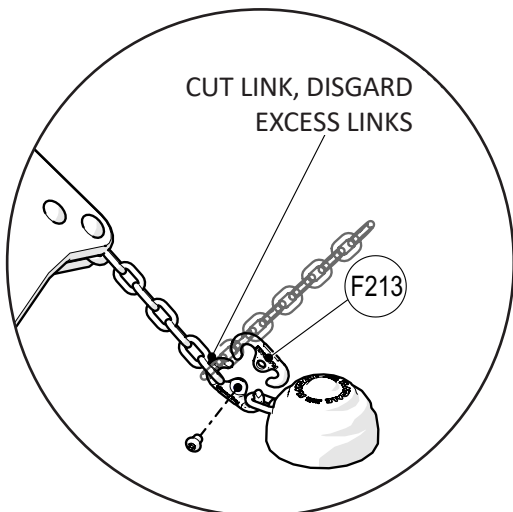
05

F213

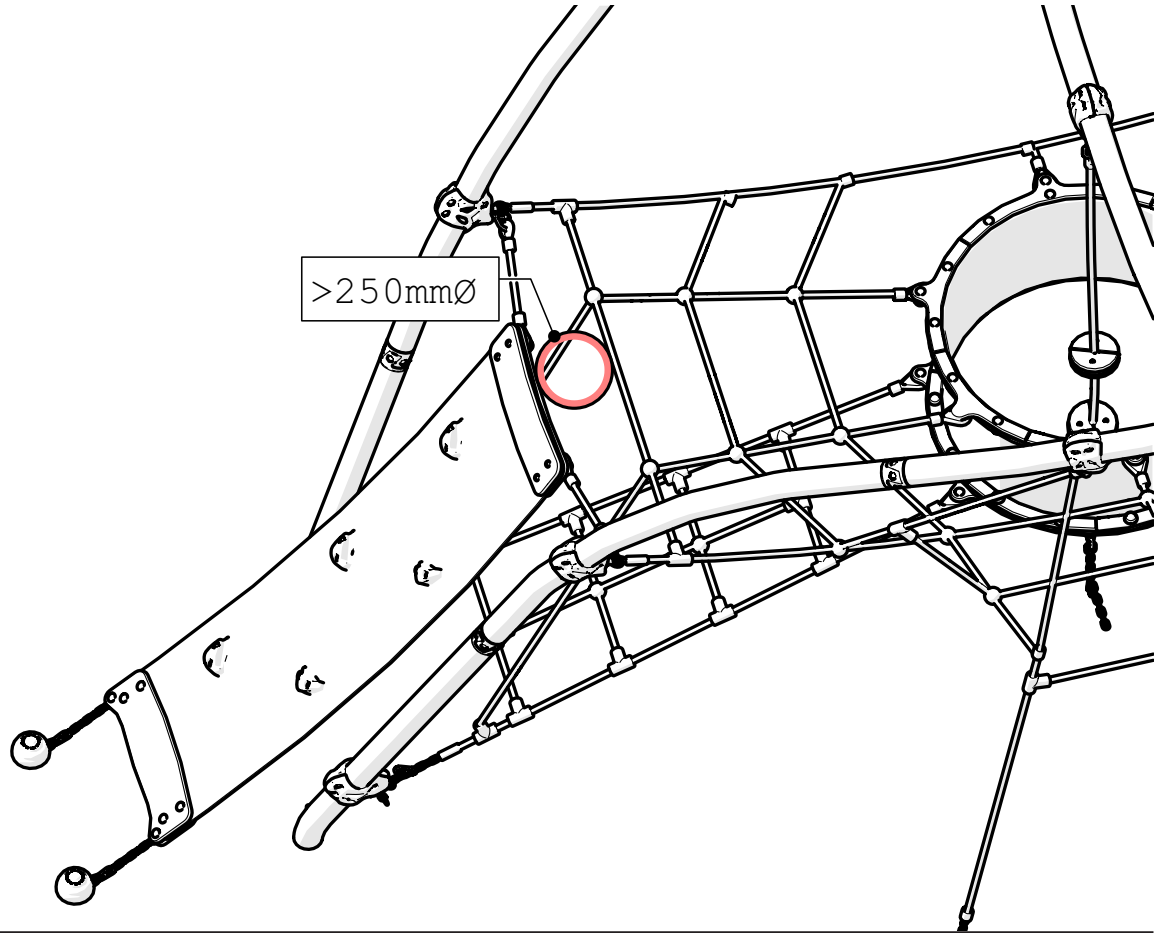
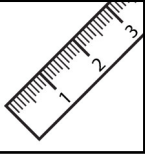
2



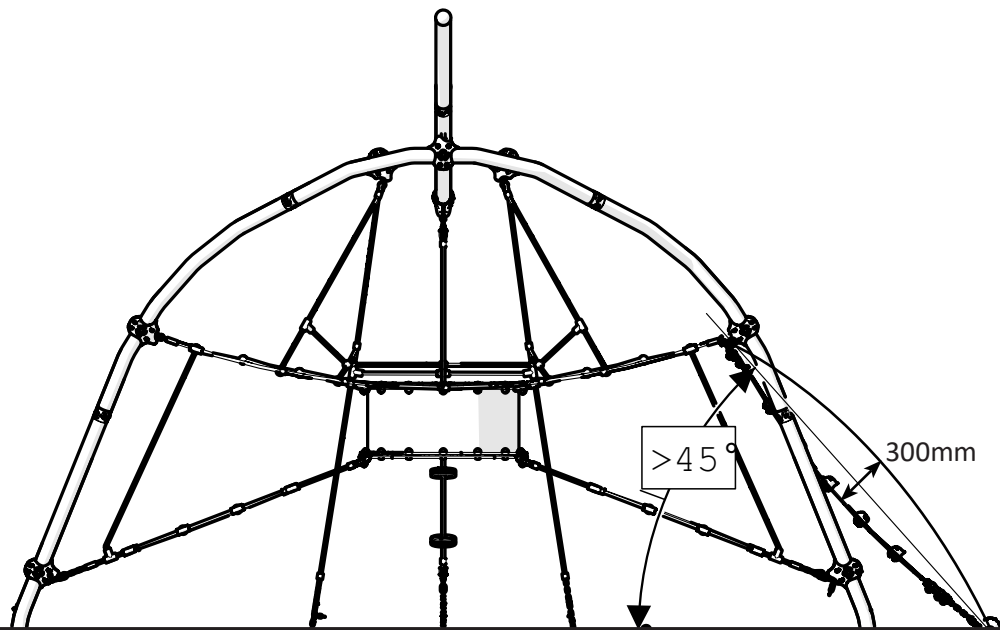
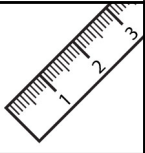
Torque to
10Nm

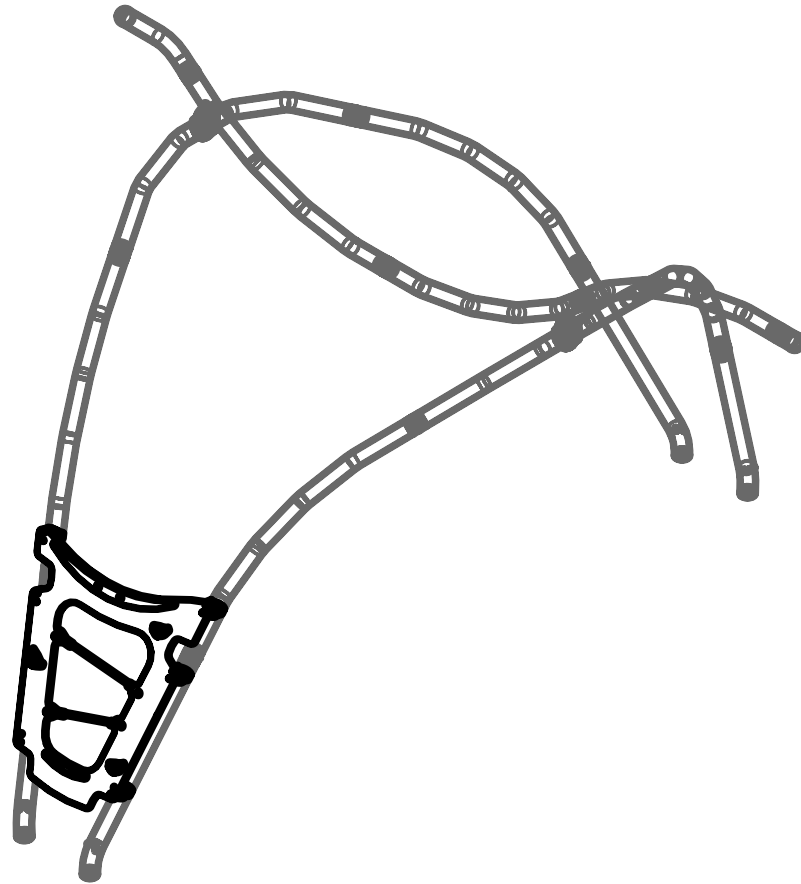


06



07





Components

Common Parts List			
Part	Qty	Image	Description
FNT0035	1		Climbing Panel Assembly

Kitting Pack (KT/FNT#0M01)			
Part	Qty	Image	Description
F763	6		Hex Cap
F764	6		Band Clamp Cover
F767	6		Band Clamp Threaded Cast Insert
F776	6		M8x45mm Socket Head Bolt S/S
F765A	6		Band Clamp 76.2
F791	12		M8 X 25MM SECURITY PATCH BOLT

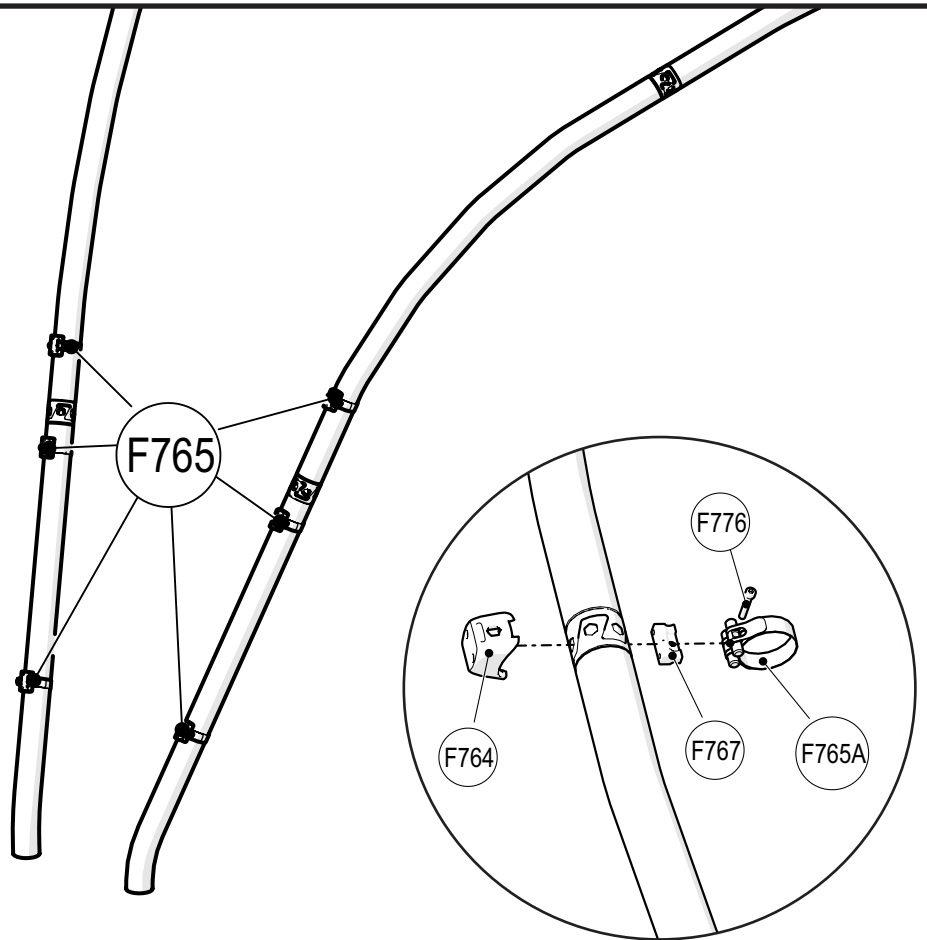
Installation Instruction

INST Climbing Panel FNT#0M01_iss02

01

F765A	6
F776	6
F767	6

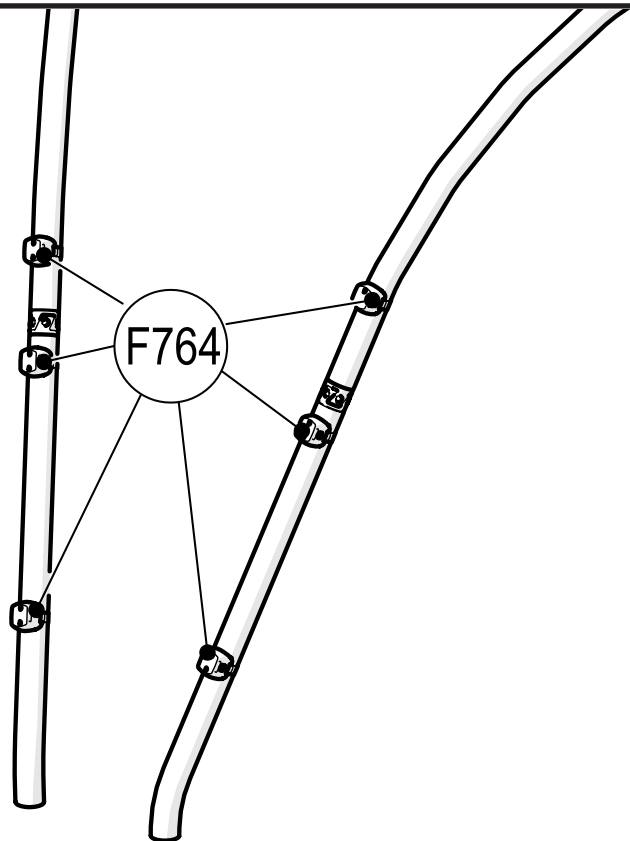
Refer to-
** General Installation B



02

F764	6
------	---

Refer to-
** General Installation B



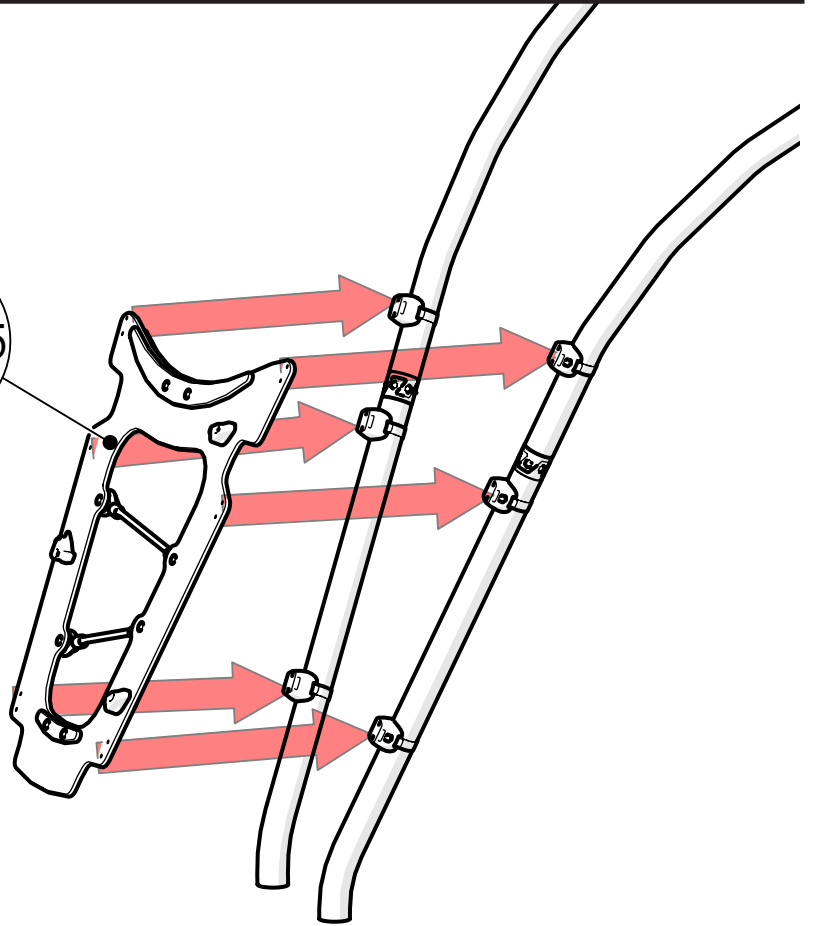
03

FNT0035

1

Refer to-
** General Installation B

FNT0035



04

F791

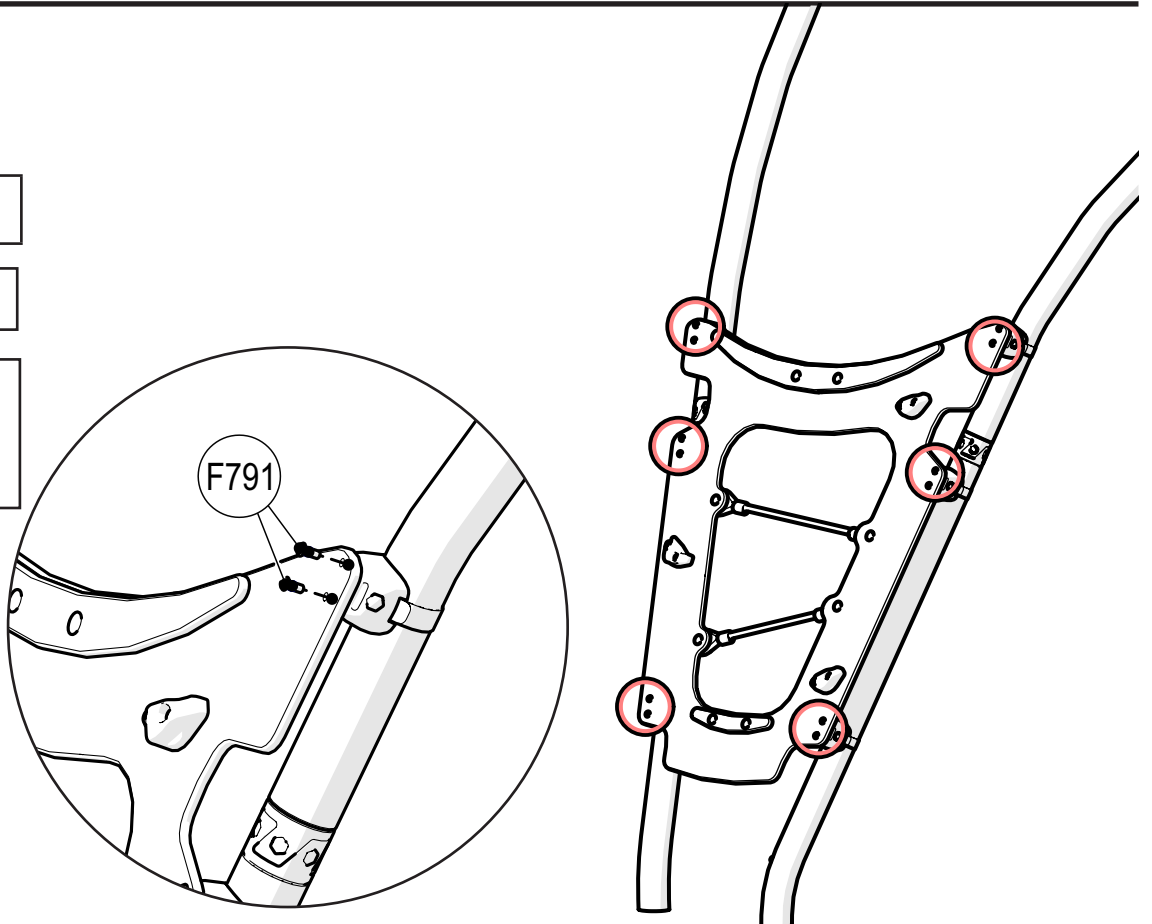
12

Refer to-
** General Installation B

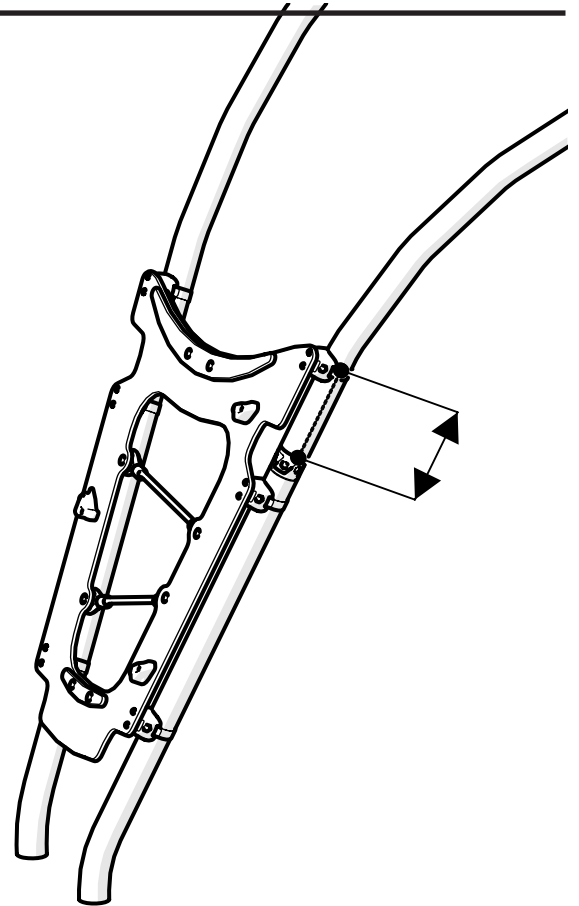
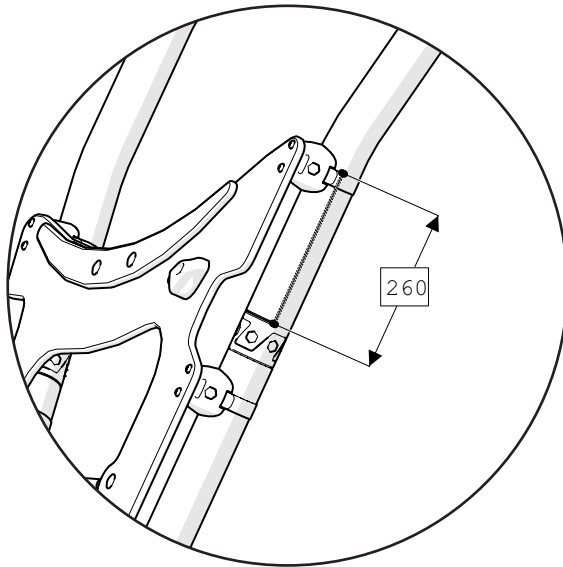
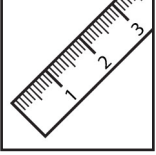


Torque to
10Nm

F791

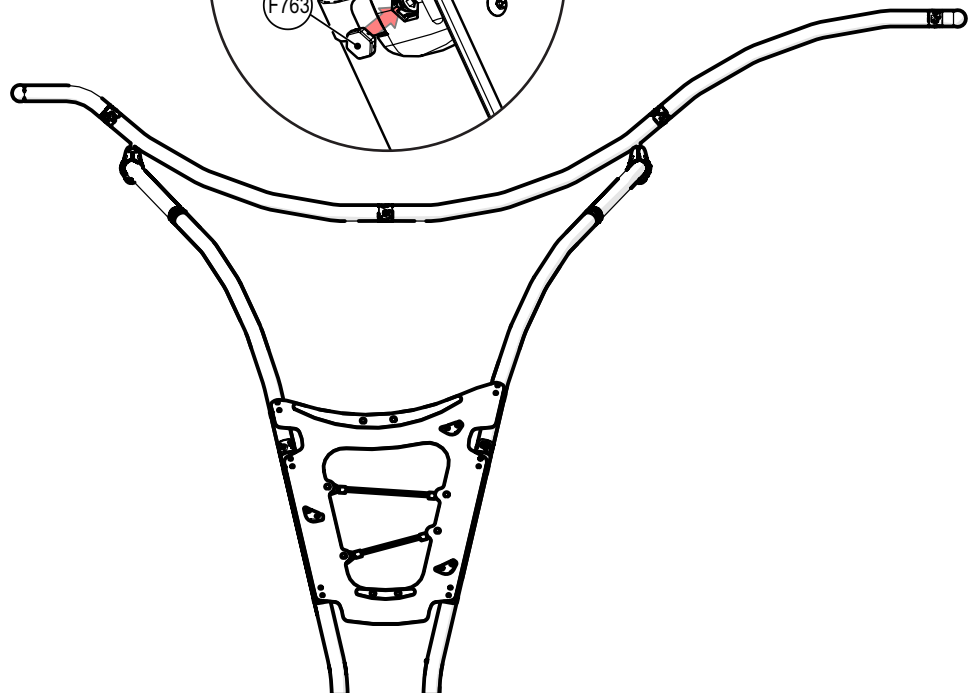
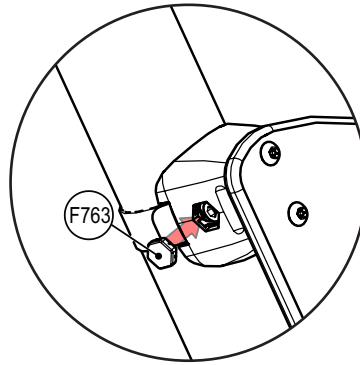


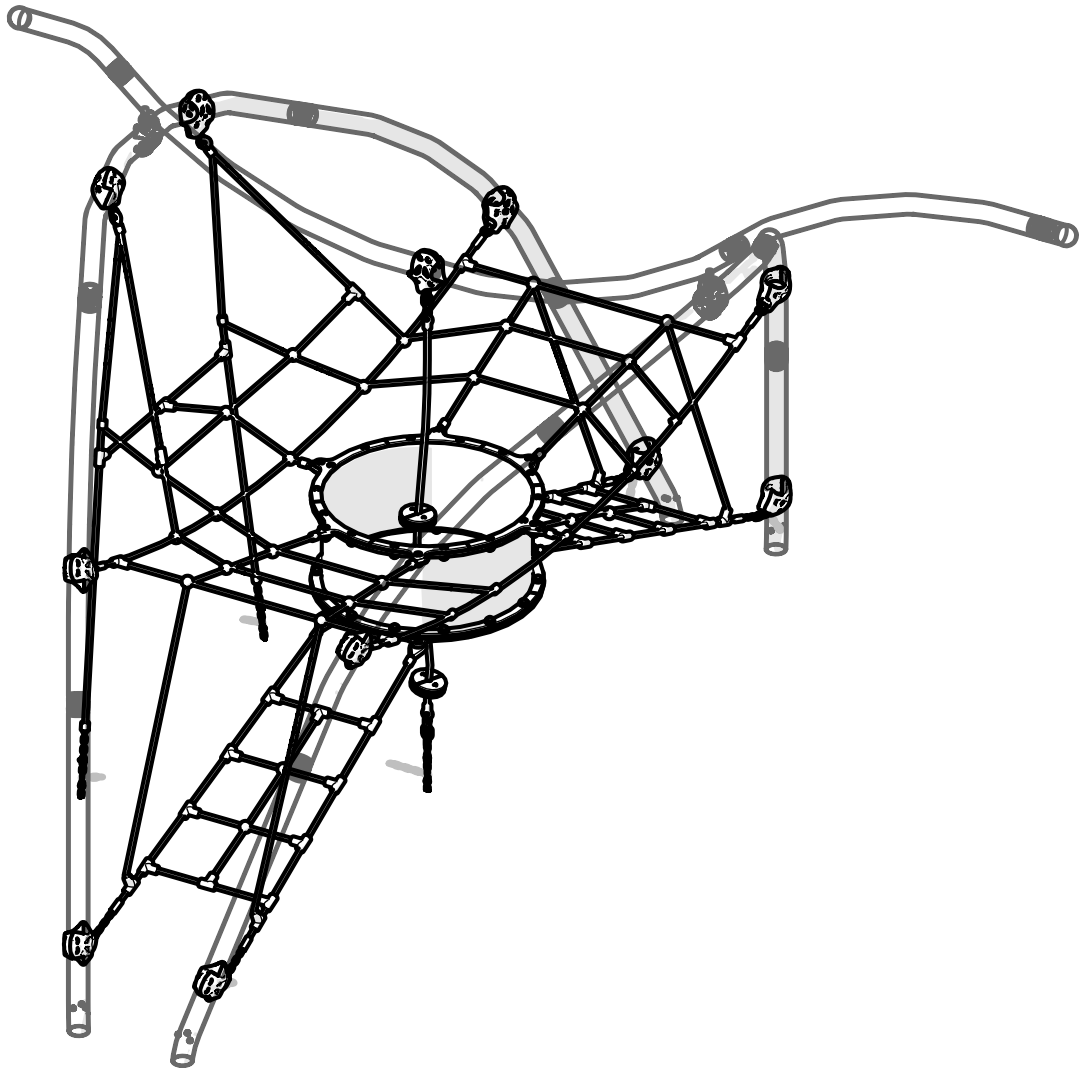
05



06

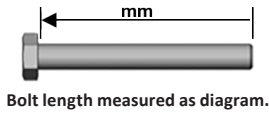
F763	6
------	---





Components

Common Parts List			
Part	Qty	Image	Description
FNT0032	1		Rope Climber (3 Holds)
FNT0039	1		Suspended Web Tube Assembly
SR335	1		Suspended Web Top Net
SR336	2		Suspended Web Bottom Net
BR44/U	11		Ball Joint T Clamp Half 1
BR45/U	11		Ball Joint T Clamp Half 2



Kitting Pack (KT/FNT#0K01)			
Part	Qty	Image	Description
F004	10		M10 X 50mm S/S Coach Bolt
F110	10		M10 Washer 21mm O/D
F137	10		M10 Nylock Nut
F213	4		Split Link Assembly Inc. Bolt
F419	44		M8 S/S Nylock Nut
F501	4		POLYFIX T JOINT
F601A	10		Playdale Cap Bottom
F601B	10		Playdale Cap Top
F763	88		Hex Cap
F774	44		M8 X 30mm Socket Cap Screw
F778	4		M10 x 15mm ID Eyebolt Rope Ferrule to 40mm ball
F789	3		M6 Turnbuckle 110-150mm
F792	6		M6 X 10mm Patch Security Bolt
F793	6		M6 X 10 S/S Barrel Nut
JB228	10		Iigus Shoulder Washer 22.0 x 13.0 x 6.0mm

Steel Ground Fixed Additional Parts List

Part	Qty	Image	Description
CH79	3		Jc Rope Scrambler Grd Fix Chain

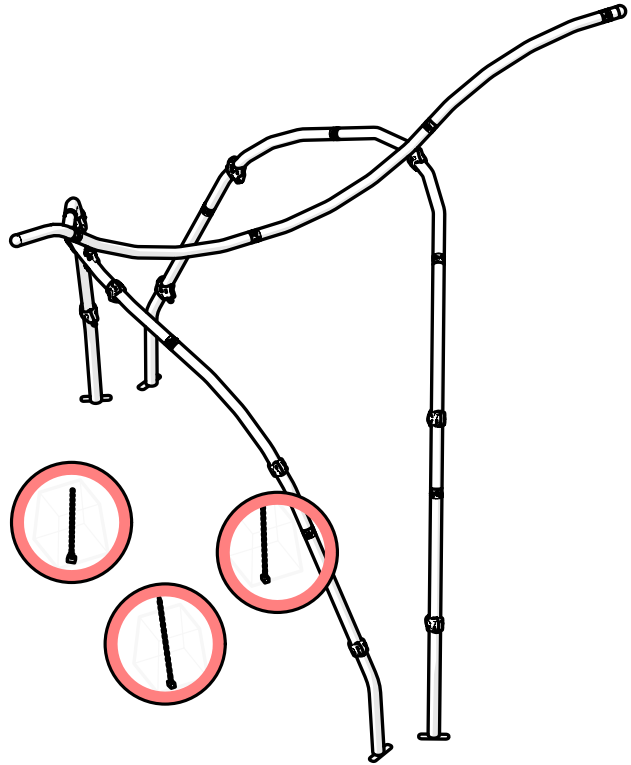
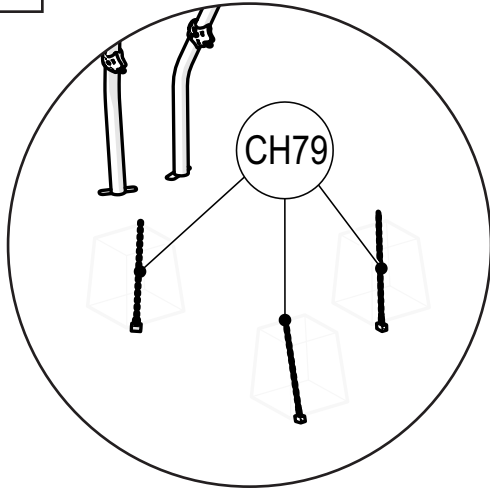
Surface Fixed Additional Parts List

Part	Qty	Image	Description
SF79	3		Tunnel Net SF Bracket

01

CH79

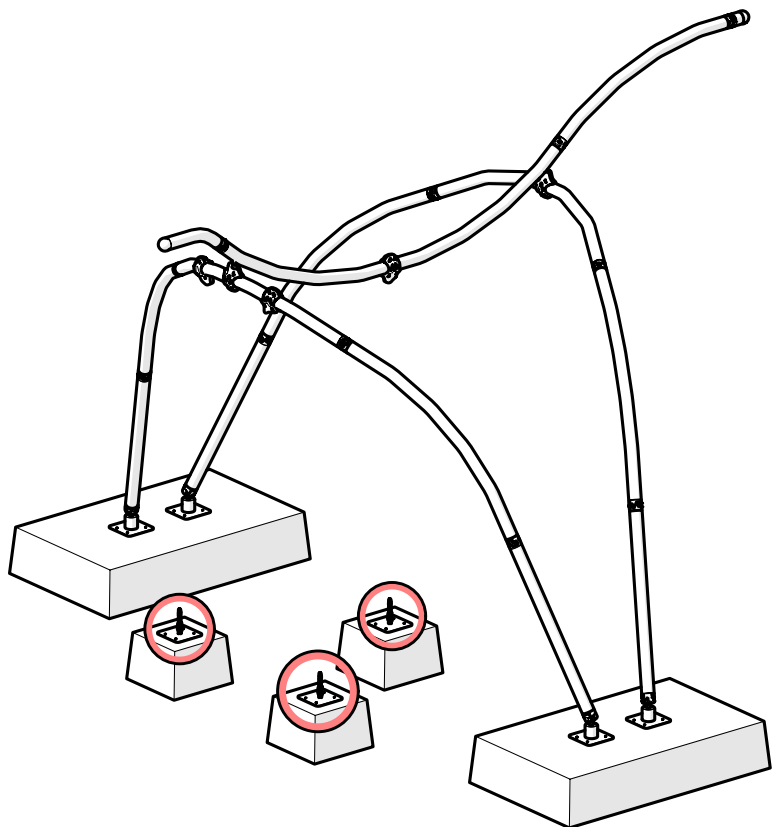
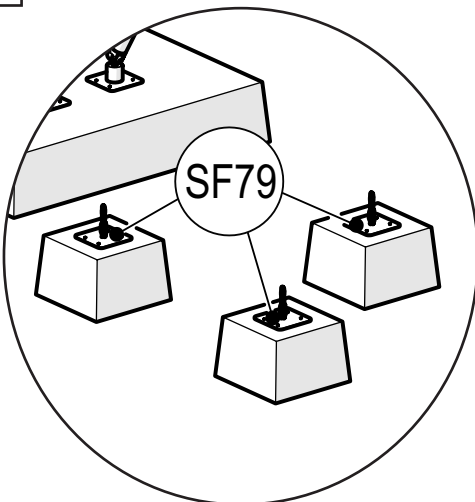
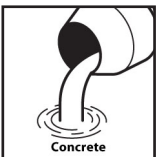
3



01 SF

SF79

3

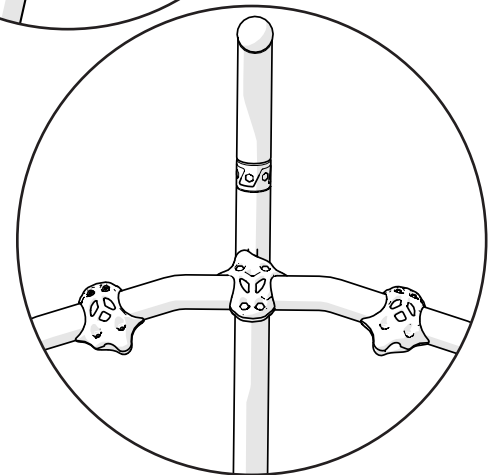
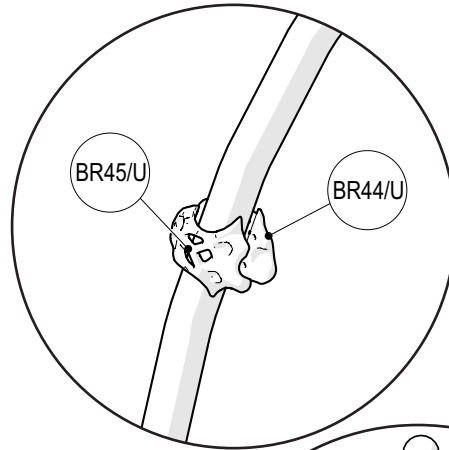
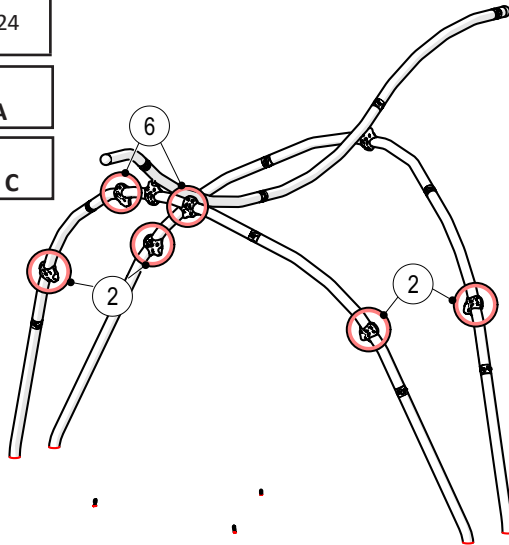


02

BR44/U	6
BR45/U	6
F419	24
F774	24

Refer to-
* General Installation A

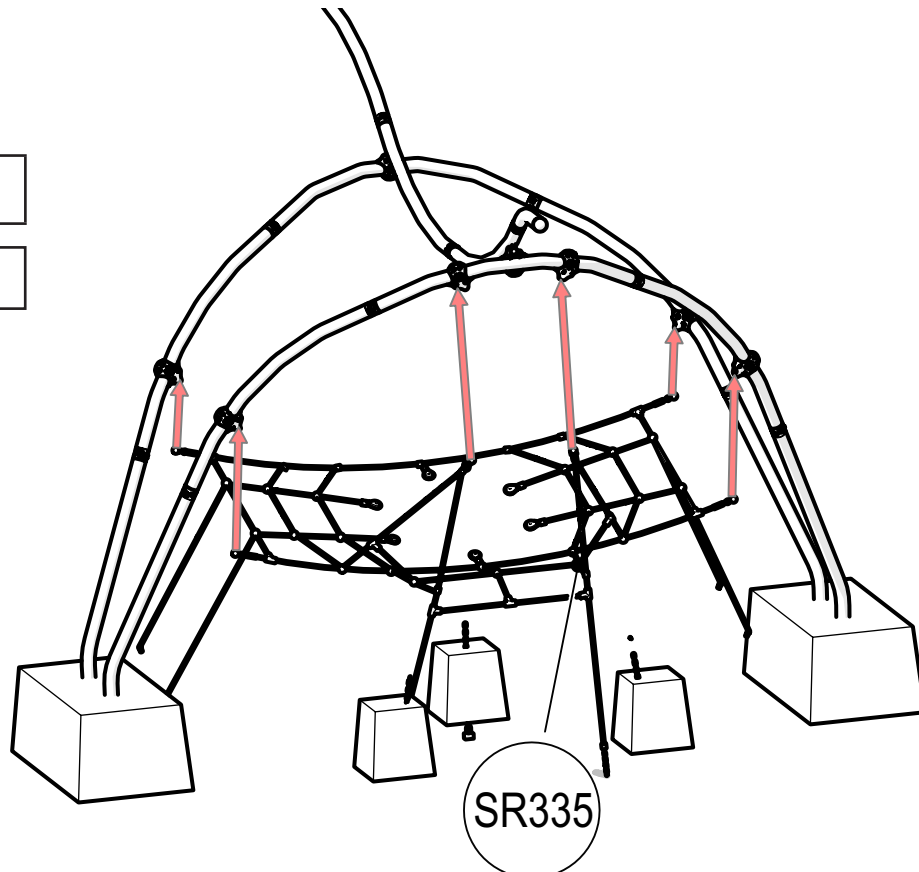
Refer to-
*** General Installation C



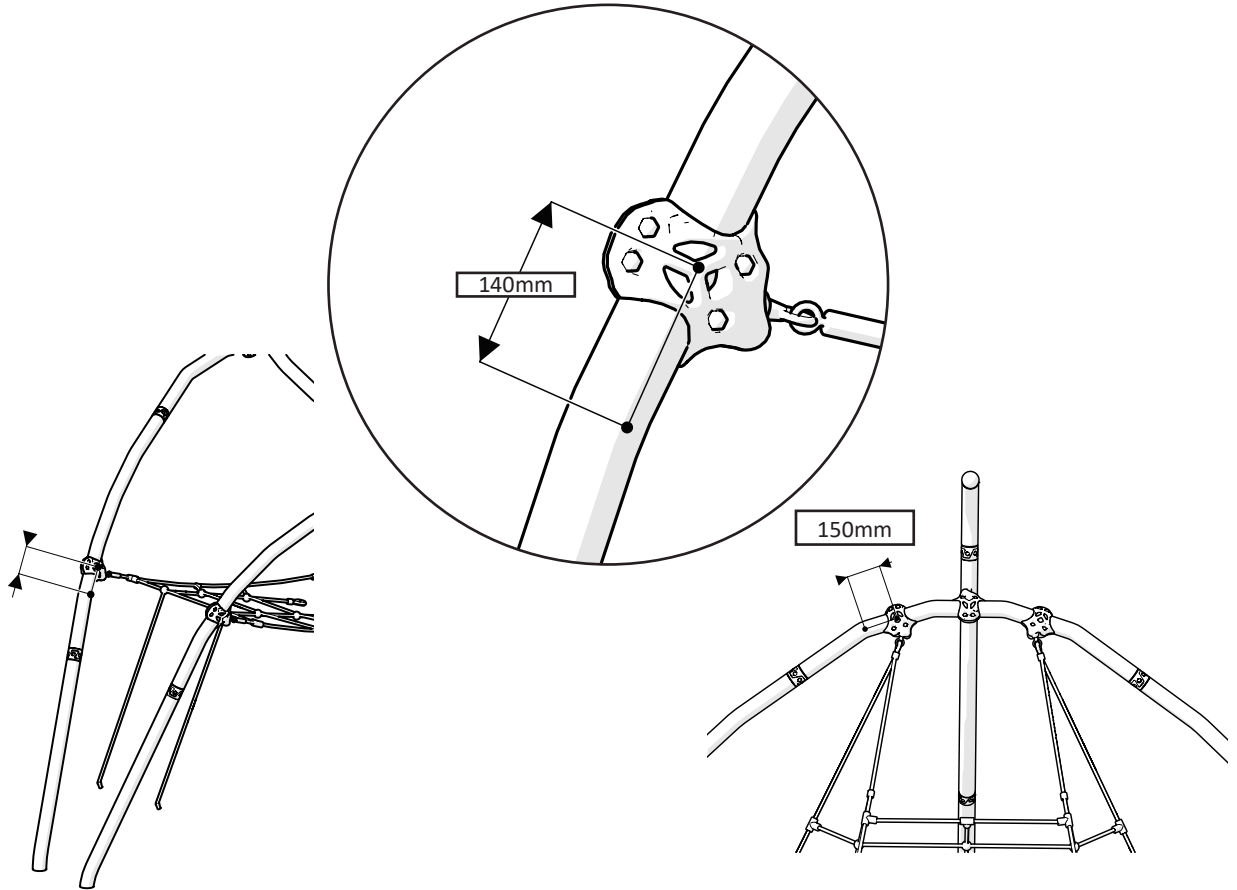
03

SR335	1
-------	---

Refer to-
* General Installation A

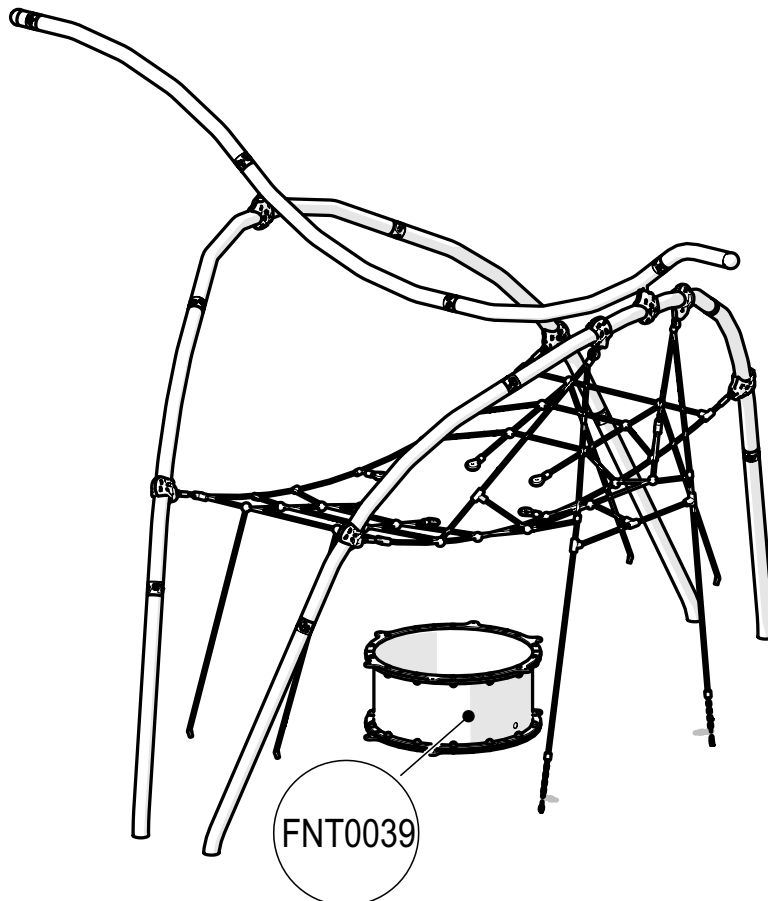


04



05

FNT0039	1
---------	---



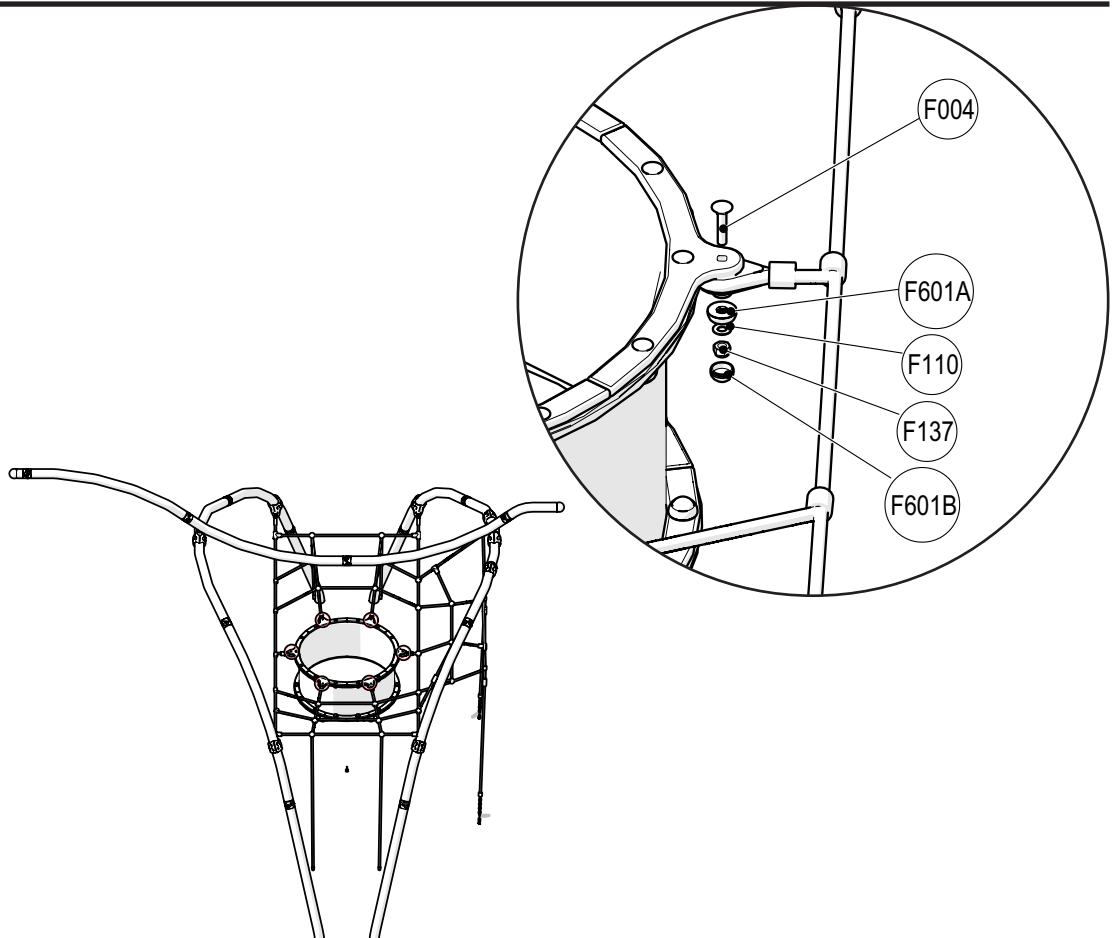
Installation Instruction

INST Suspended Web FNT#OK01_iss02

06

F004	6
F110	6
F137	6
F601A	6
F601B	6

Torque to 10Nm

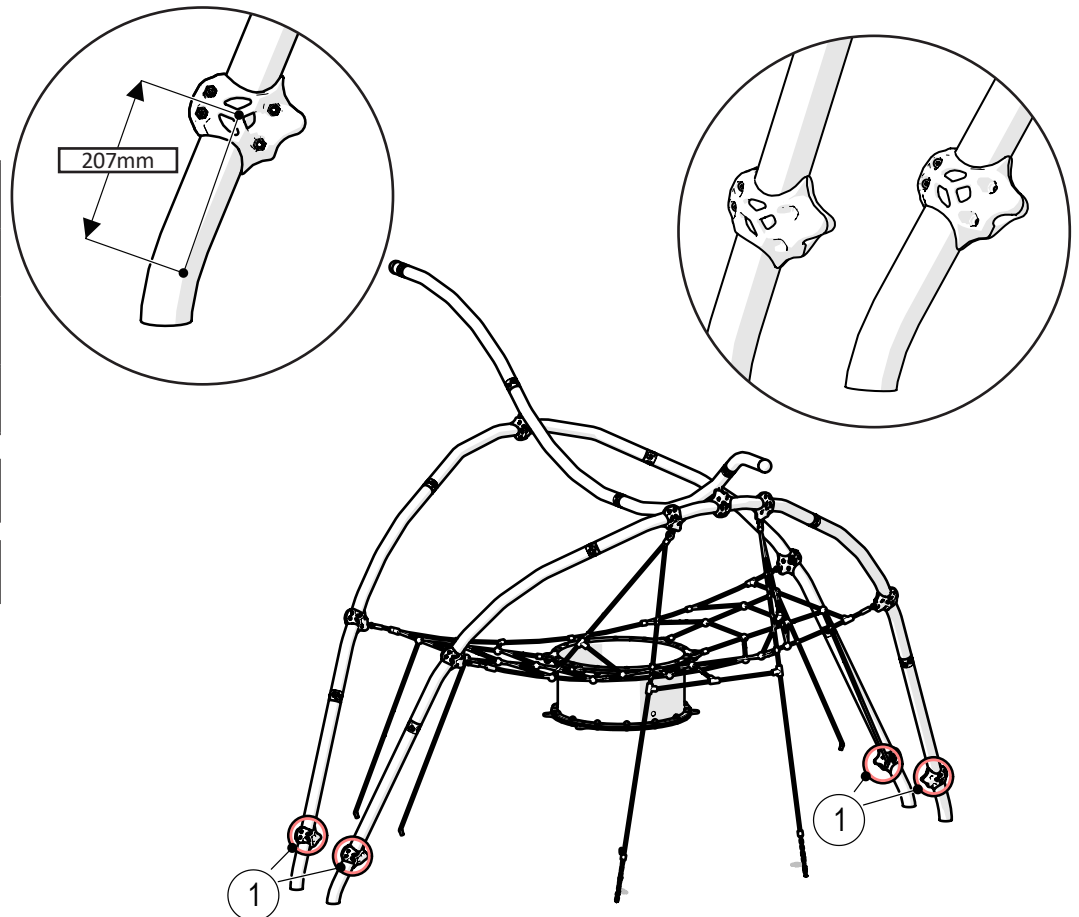
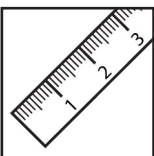


07

BR44/U	4
BR45/U	4
F419	16
F774	16

**Refer to-
* General Installation A**

**Refer to-
*** General Installation C**



Installation Instruction

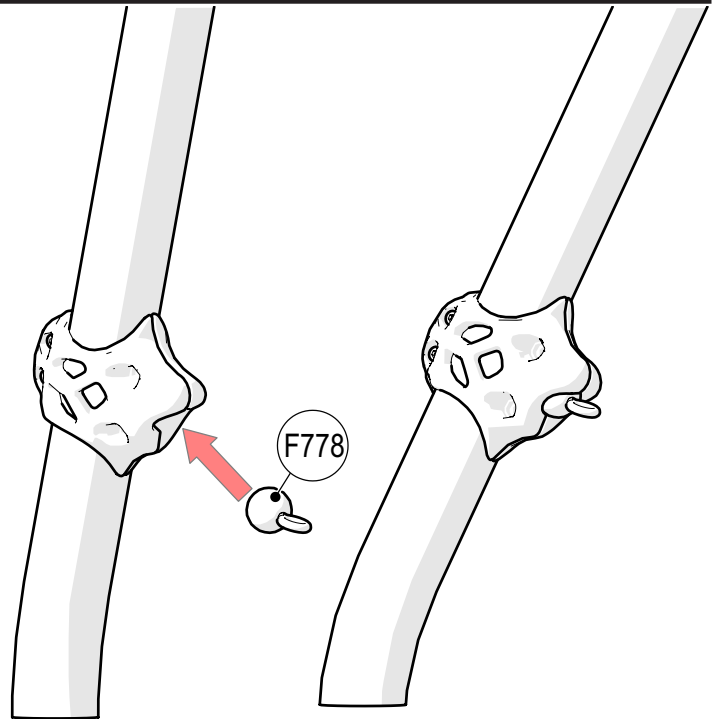
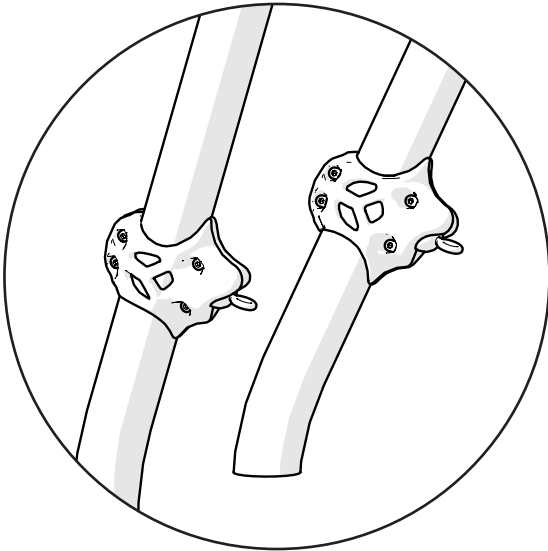
INST Suspended Web FNT#0K01_iss02

08

F778

4

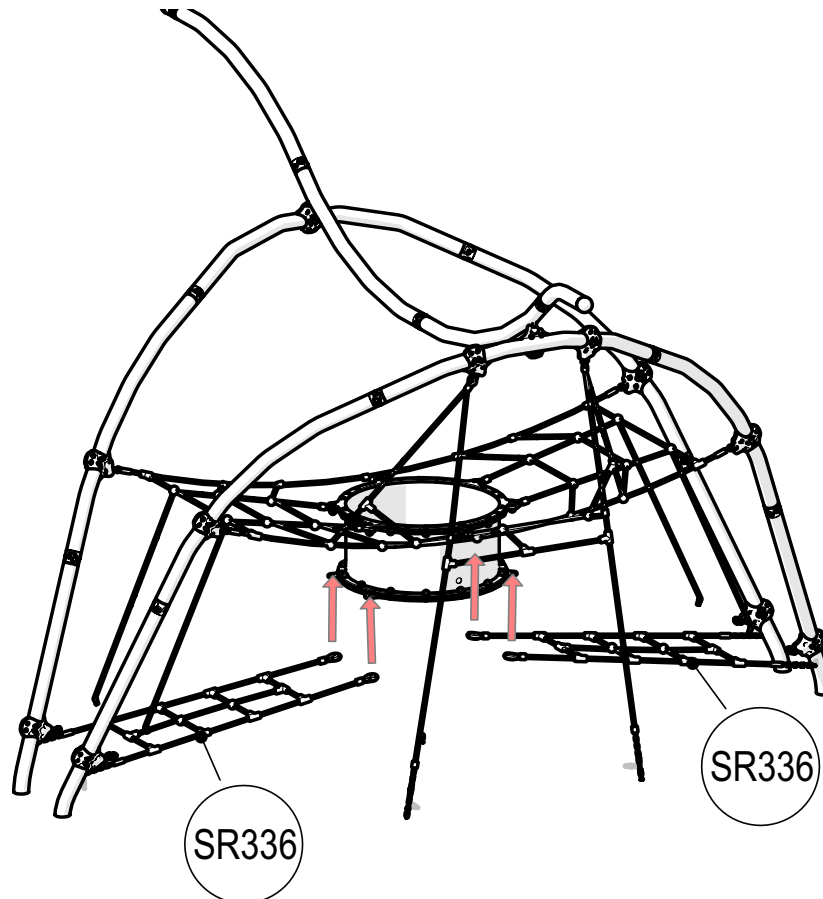
Refer to-
* General Installation A



09

SR336

2




Installation Instruction

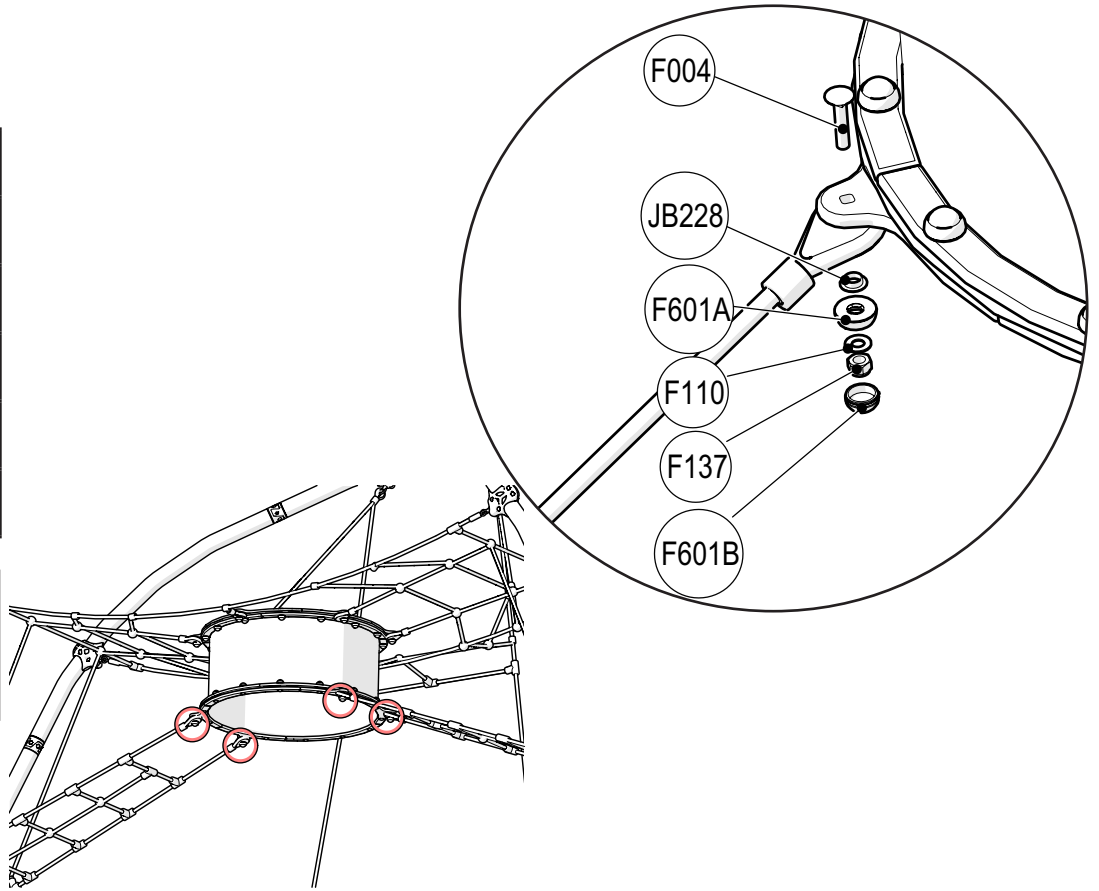
INST Suspended Web FNT#0K01_iss02

10

F004	4
F110	4
F137	4
F601A	4
F601B	4
JB228	4

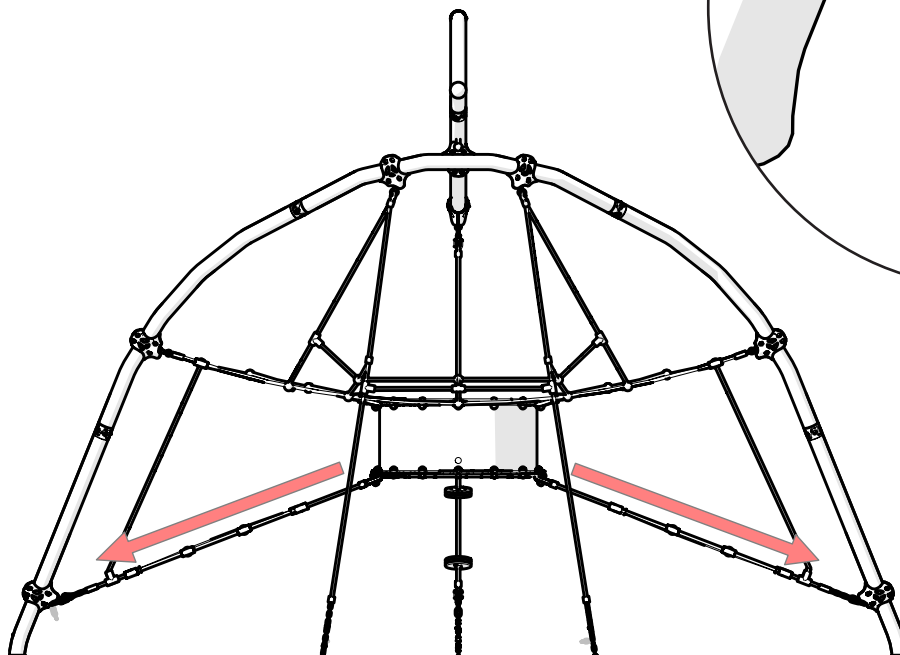
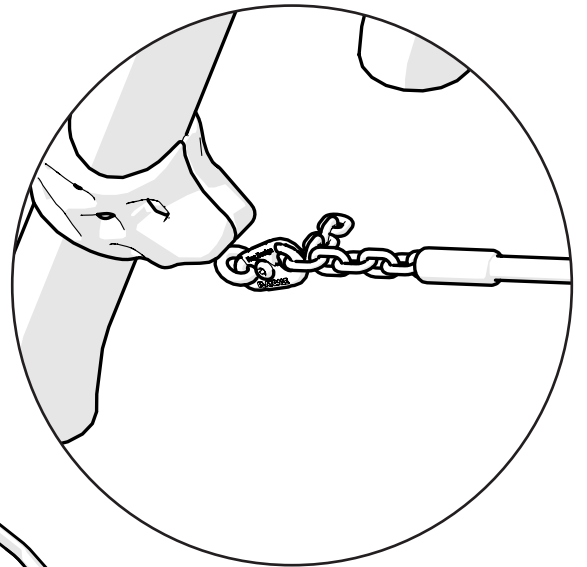


Torque to 10Nm



11

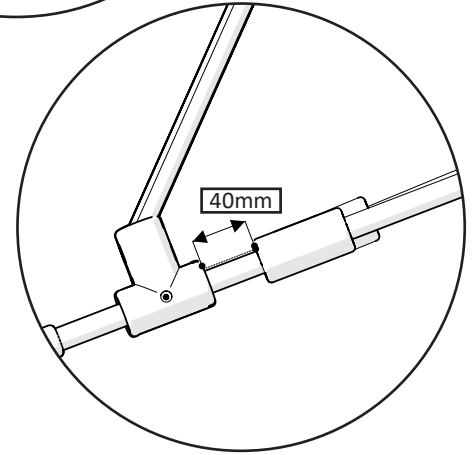
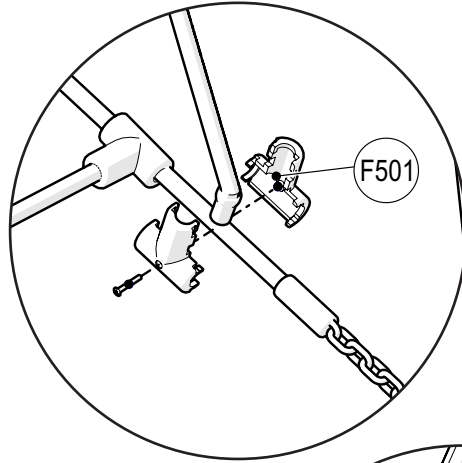
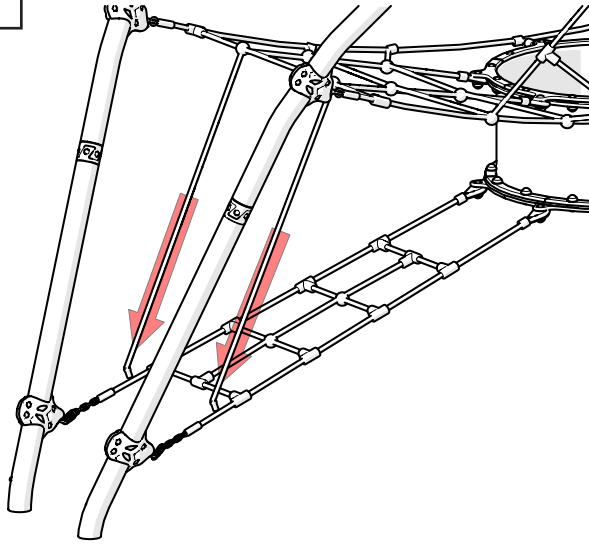
F213	4
------	---



12

F501

4



13

BR44/U

1

BR45/U

1

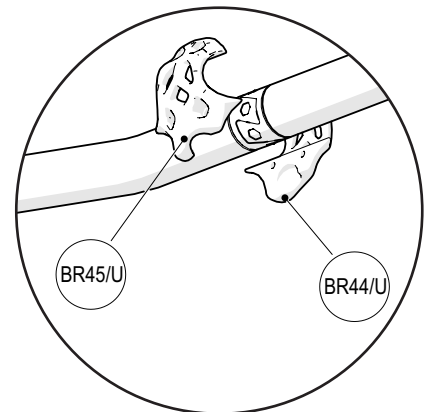
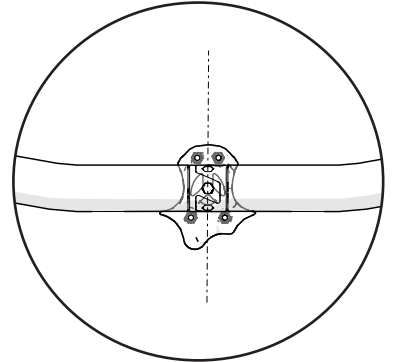
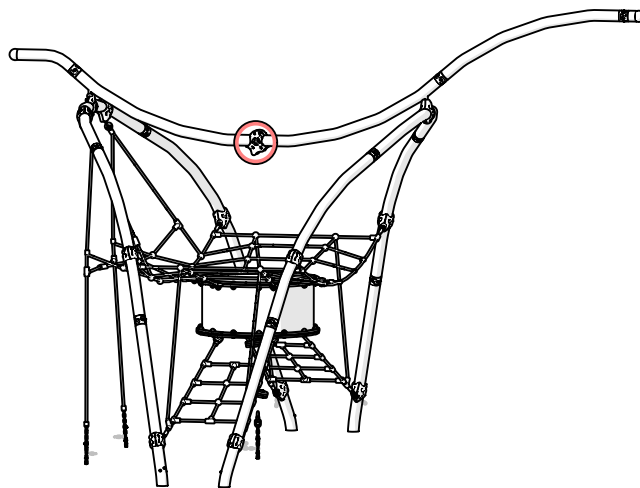
F419

4

F774

4

Refer to-
* General Installation A



Installation Instruction

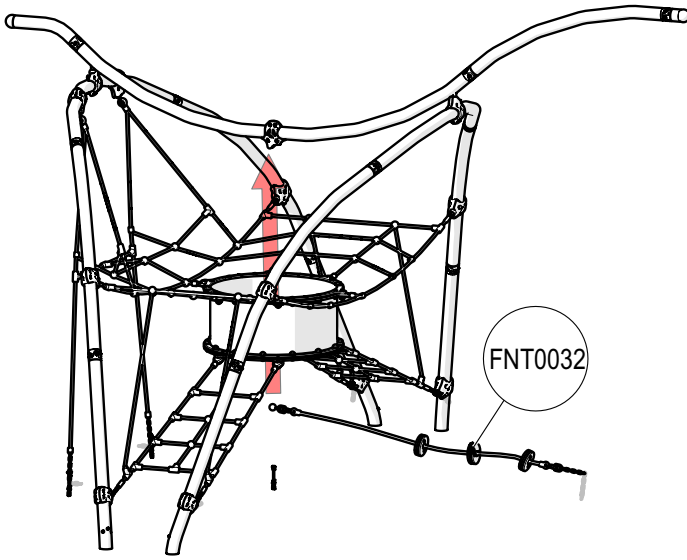
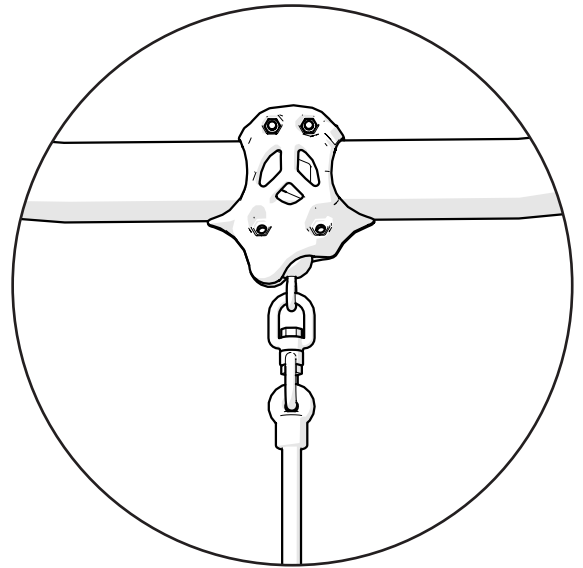
INST Suspended Web FNT#0K01_iss02

14

FNT0032

1

Refer to-
* General Installation A



15

F789

3

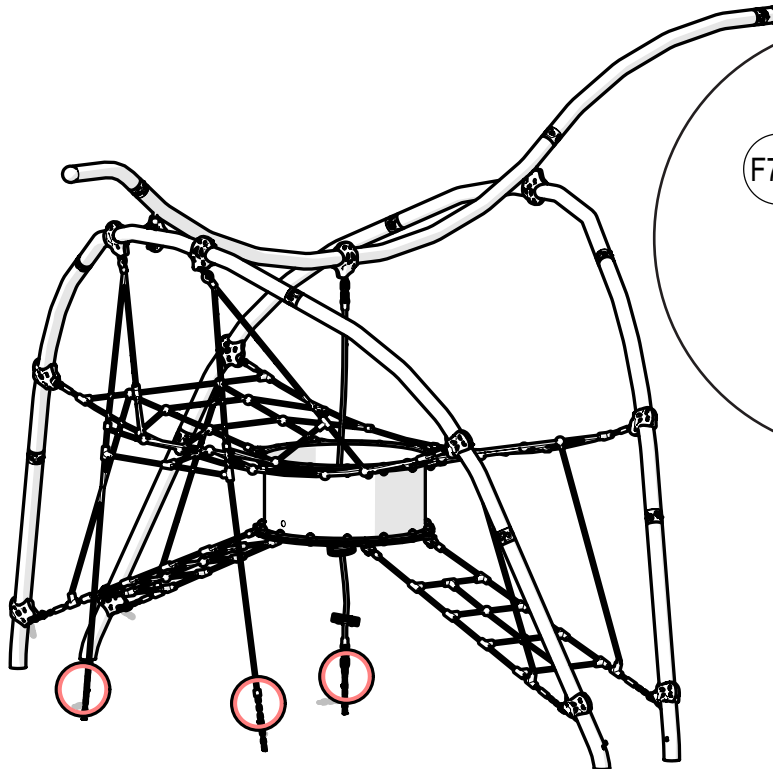
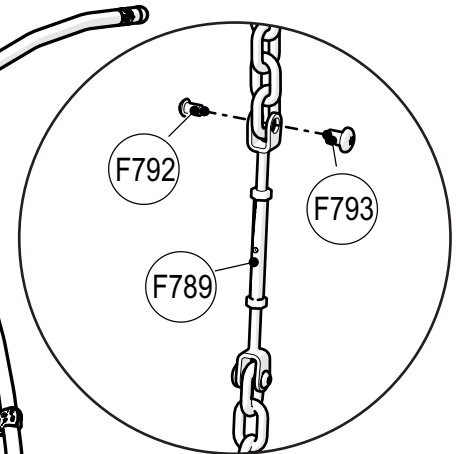
F792

6

F793

6

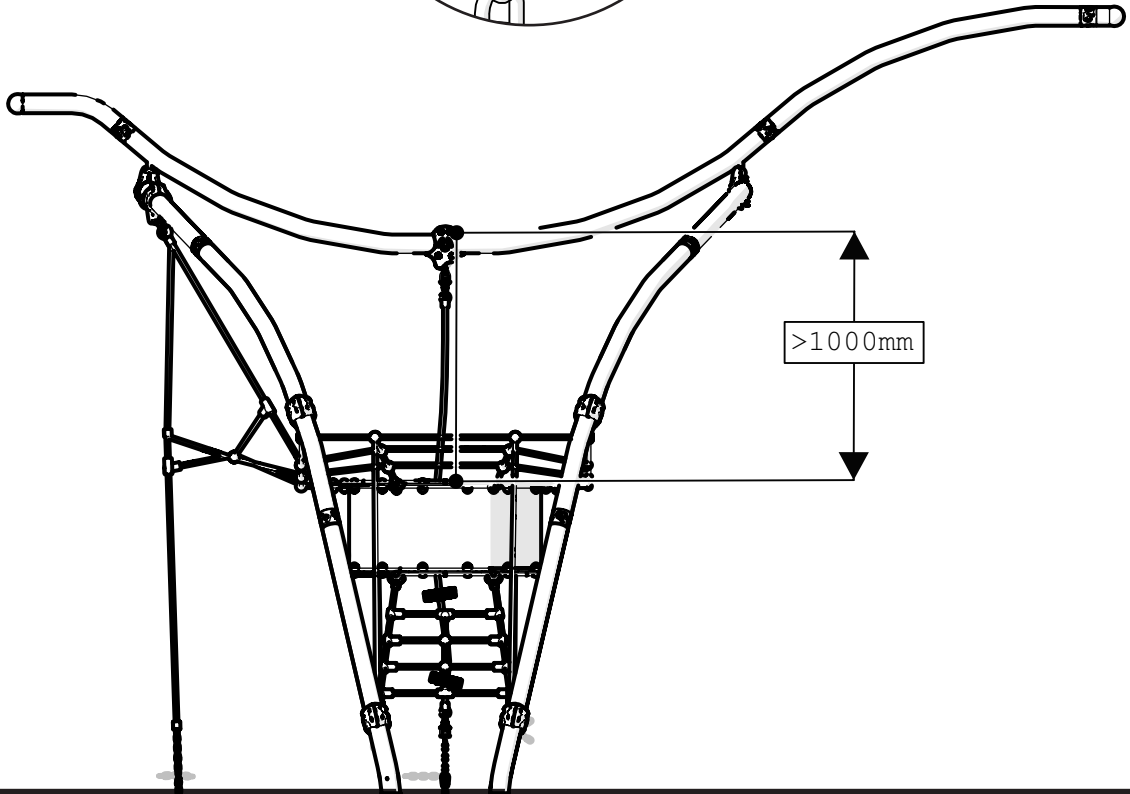
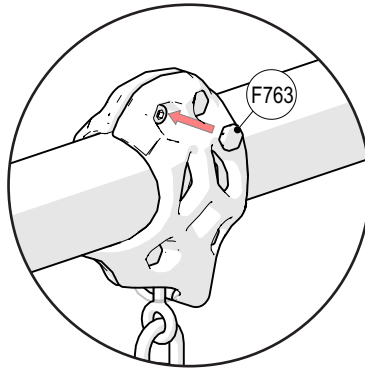
Refer to-
**** General Installation D



16

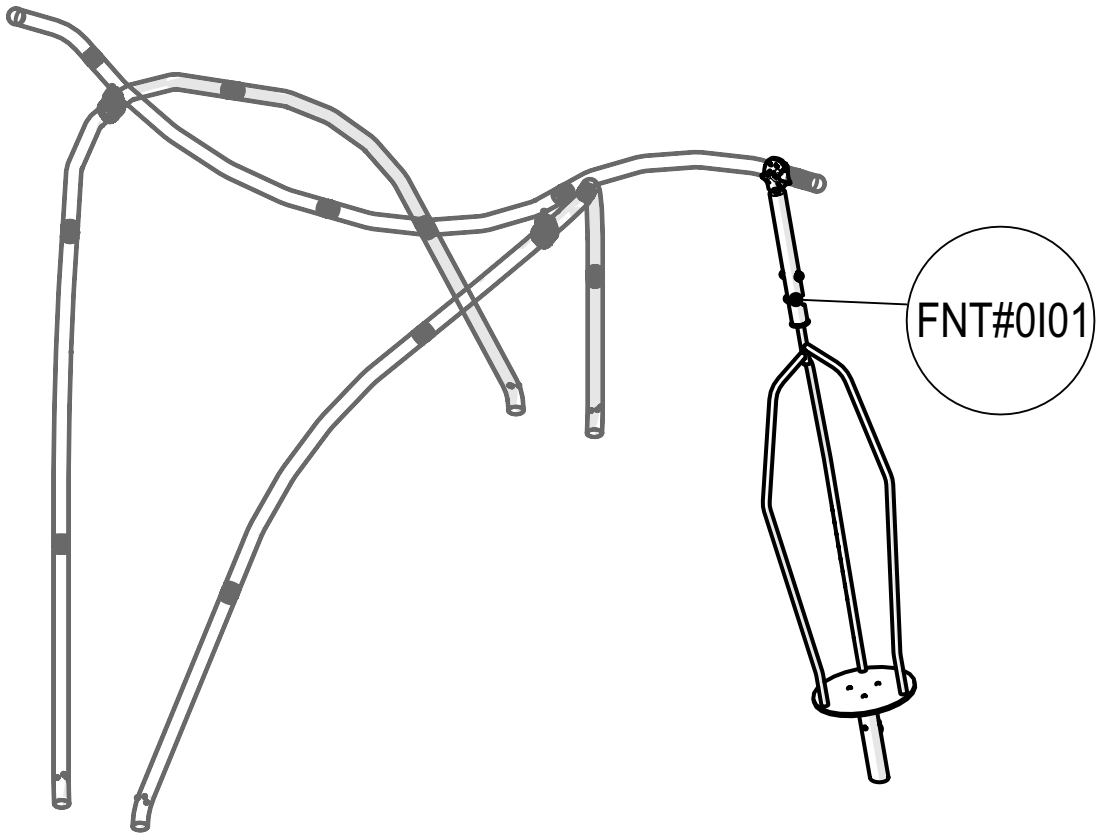
F763

88








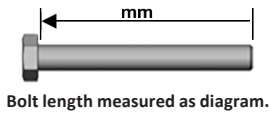
Installation Instruction





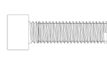
INST Spinner FNT#0101_iss05







Components

Common Parts List			
Part	Qty	Image	Description
JB255(A)	1		SPINNER ASSEMBLY
LTH185D	2		Spinner Installation Aid
FNT0040	1		Spinner Bearing Ball Joint Assembly
BR44/U	1		Ball Joint T Clamp Half 1
BR45/U	1		Ball Joint T Clamp Half 2




Kitting Pack (KT/FNT#0101)			
Part	Qty	Image	Description
F120	3		M10 S/S Nylock Nut
F419	4		M8 S/S Nylock Nut
F481	3		M10 X 55mm Security Bolt
F763	8		Hex Cap
F774	4		M8 X 30mm Socket Cap Screw

Steel Ground Fixed Additional Parts List

Part	Qty	Image	Description
BC098	1		Spinner SGF
BC003	2		Surface Adjusting Foot
F038	4		M10x55mm Hex Head Bolt
F137	4		M10 Nylock

Surface Fixed Additional Parts List

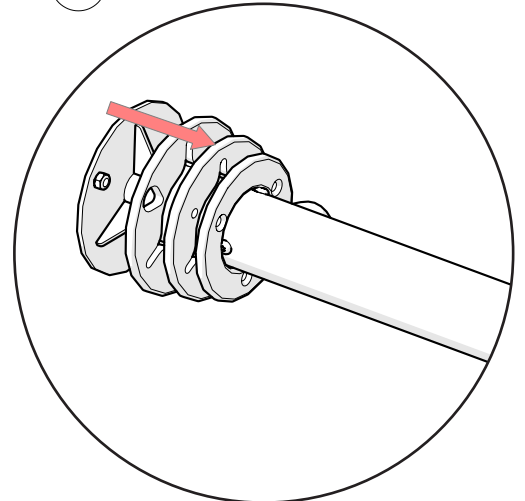
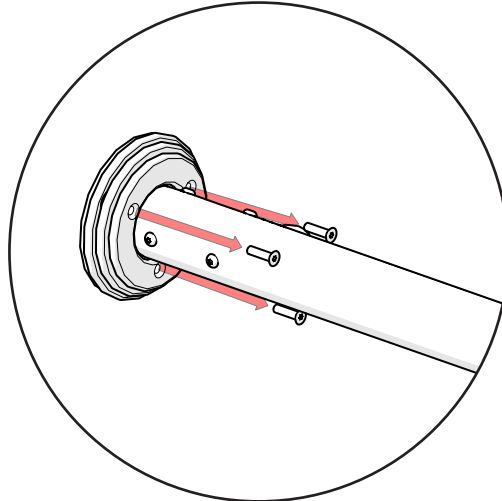
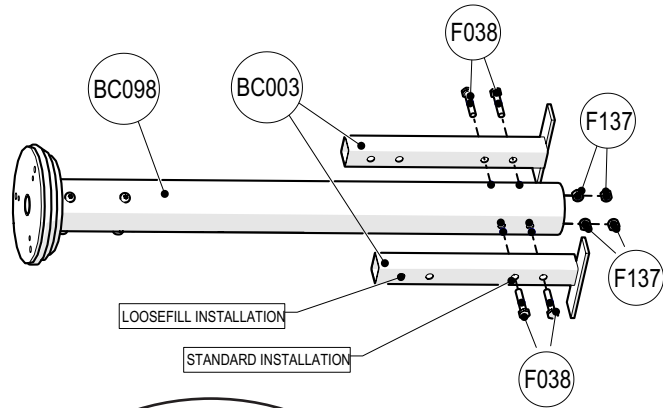
Part	Qty	Image	Description
CMOR001X03	1		Jukebox Plus Spinner SF Assembly

01

BC098	1
BC003	2
F038	4
F137	4

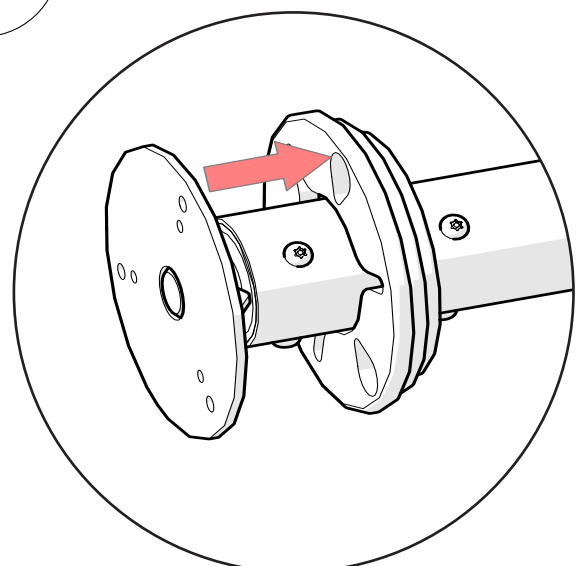
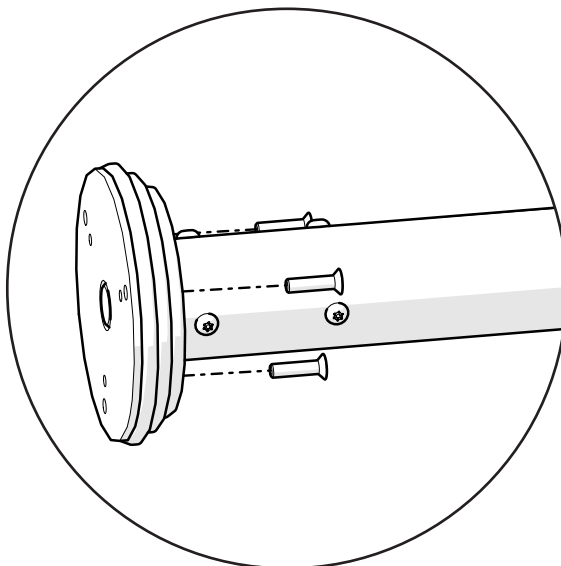
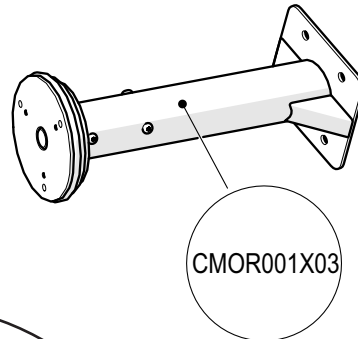


**Torque to
20Nm**



01 SF

CMOR001X03	1
------------	---

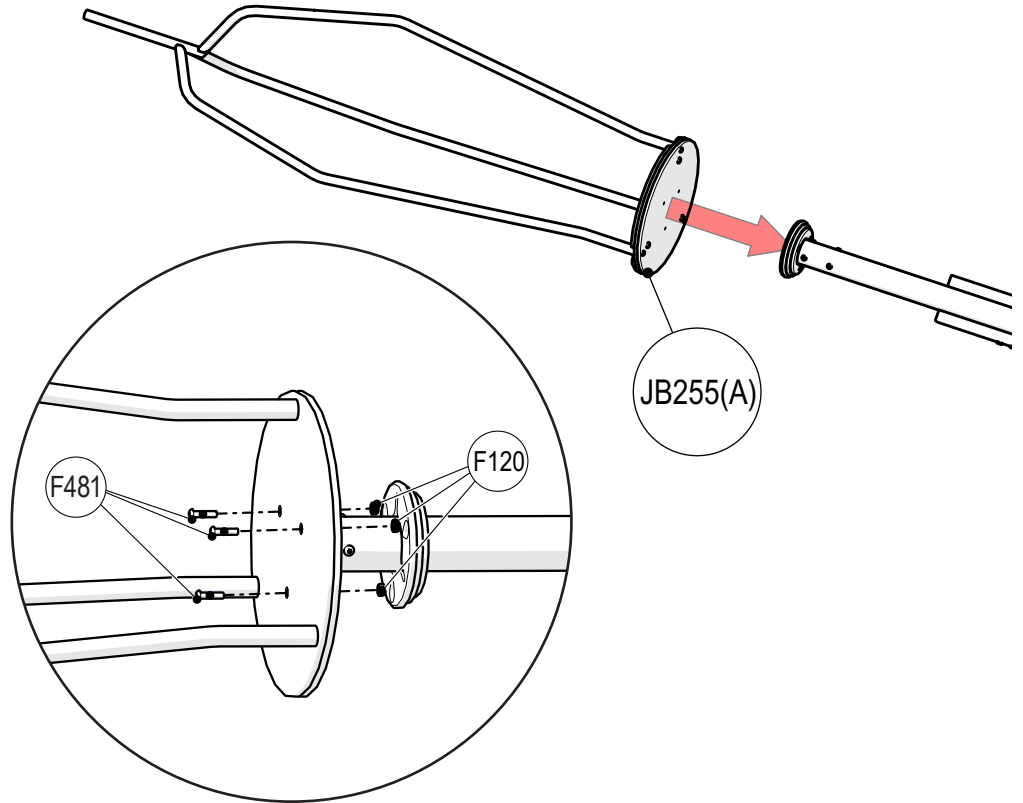


02

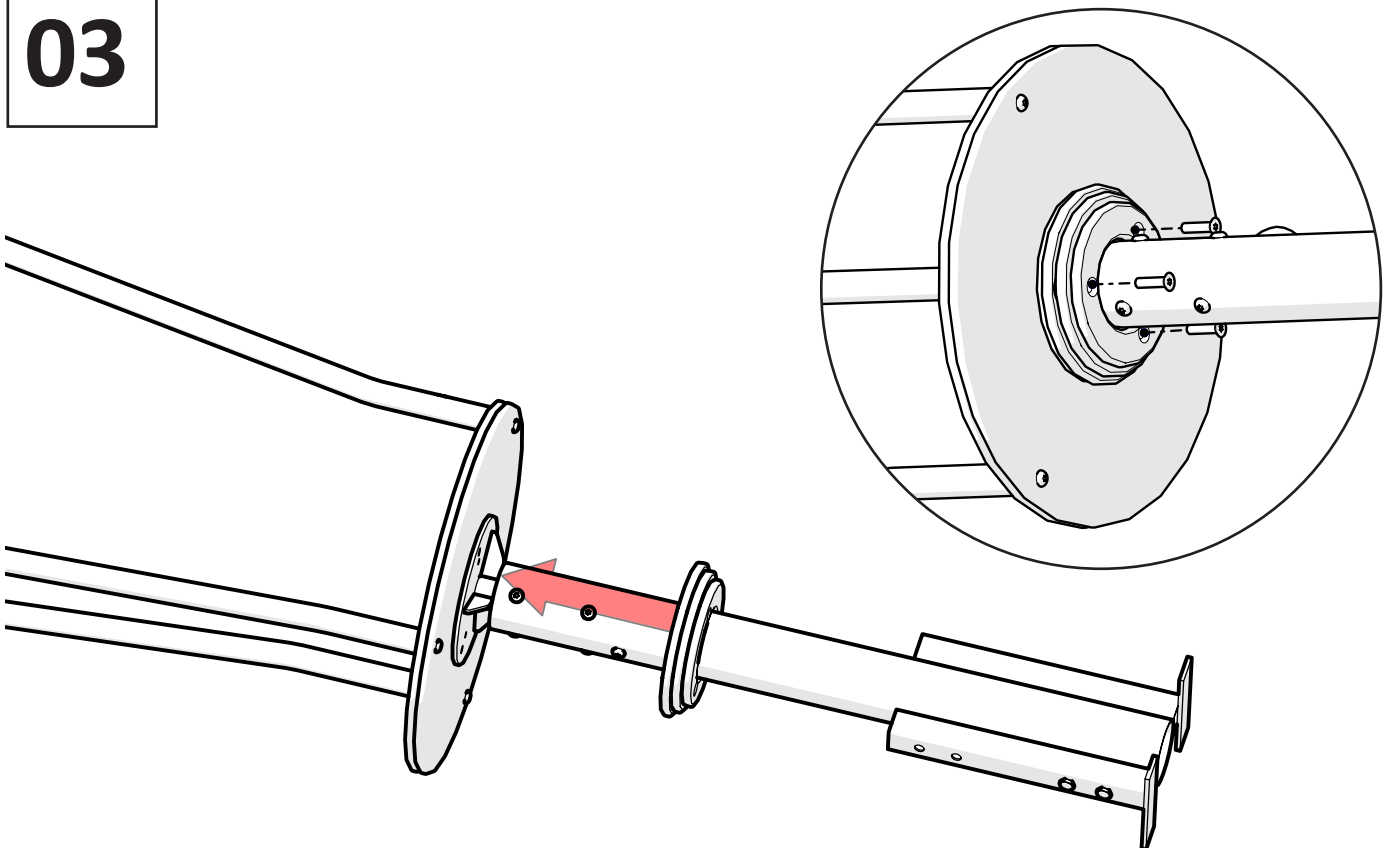
JB255(A)	1
F120	3
F481	3



Torque to
20Nm



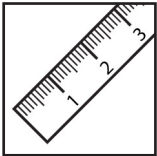
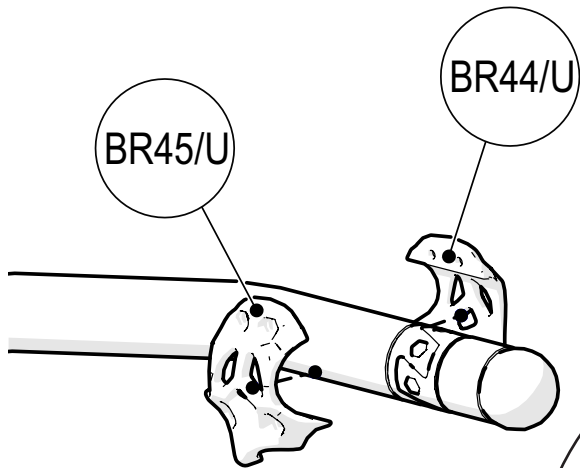
03



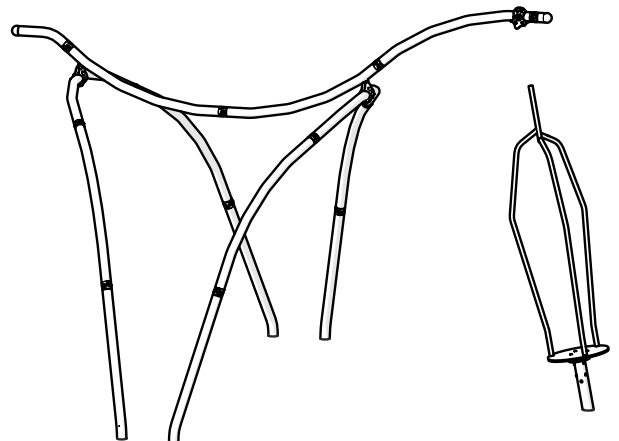
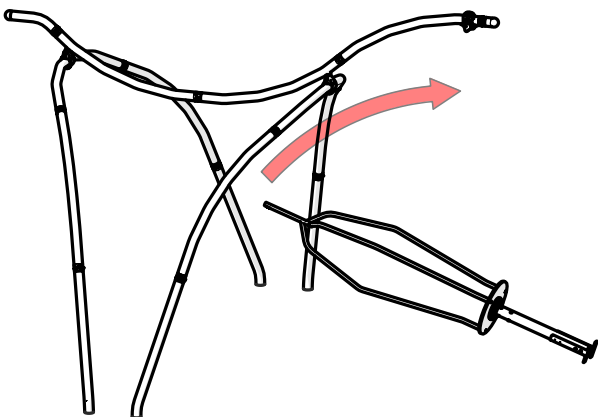
04

BR45/U	1
BR44/U	1
F419	4
F774	4

Refer to-
 * General Installation A



05

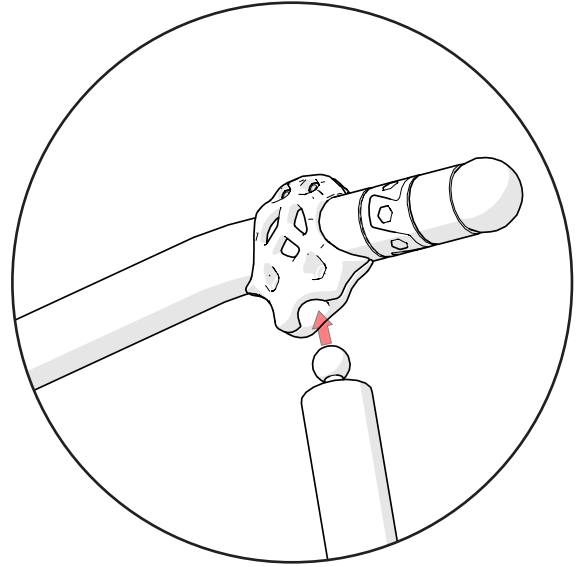
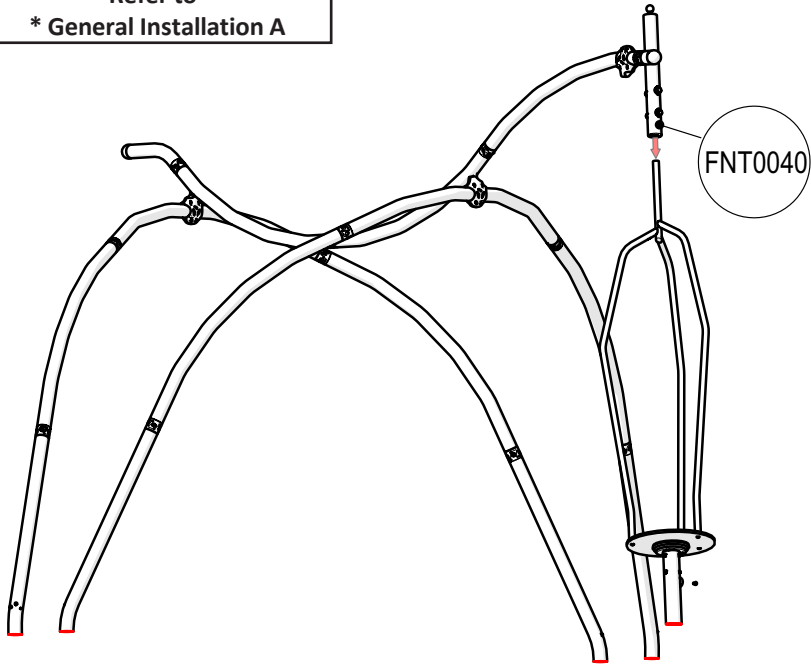


06

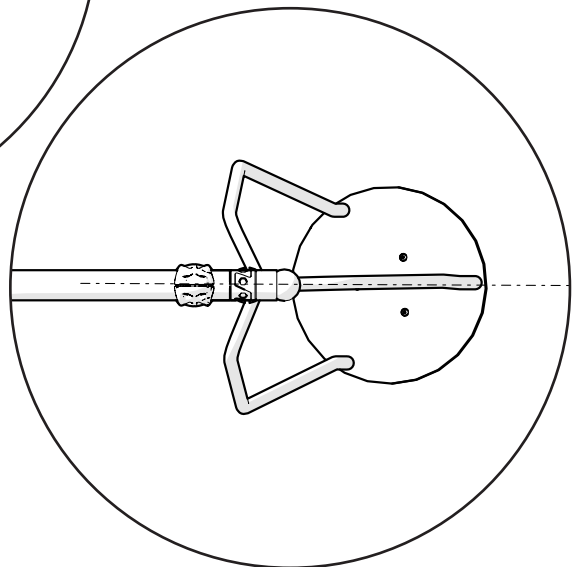
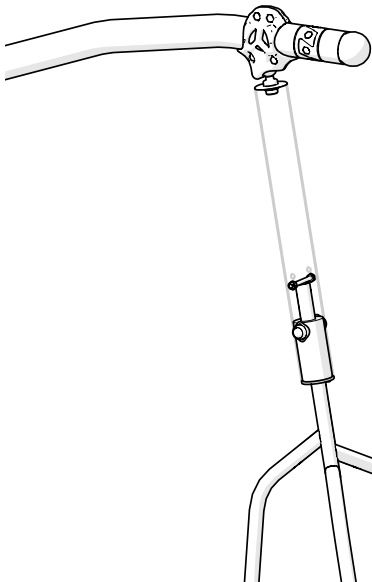
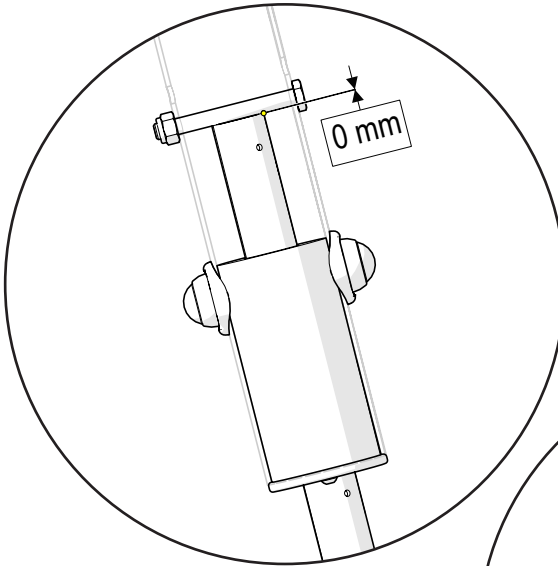
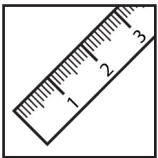
FNT0040

1

Refer to-
* General Installation A



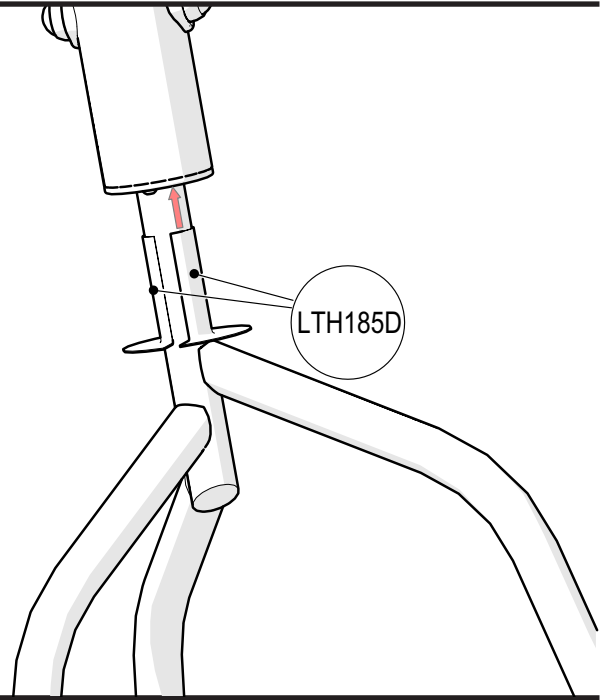
07



08

LTH185D

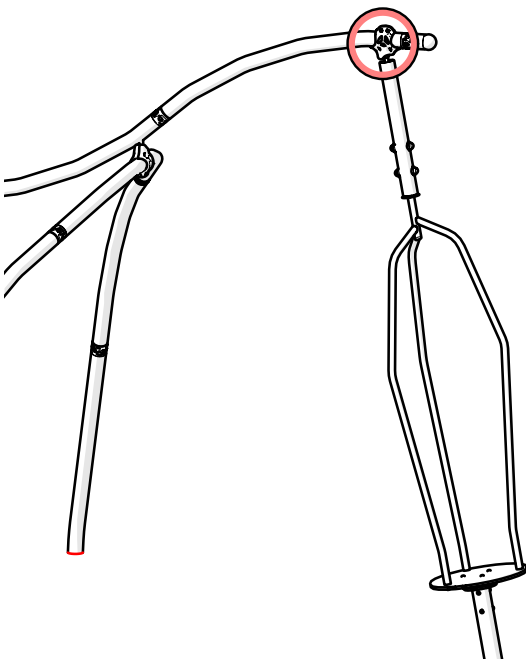
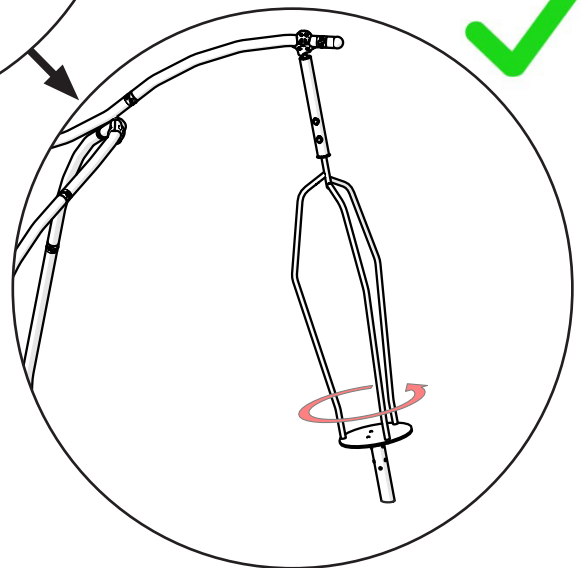
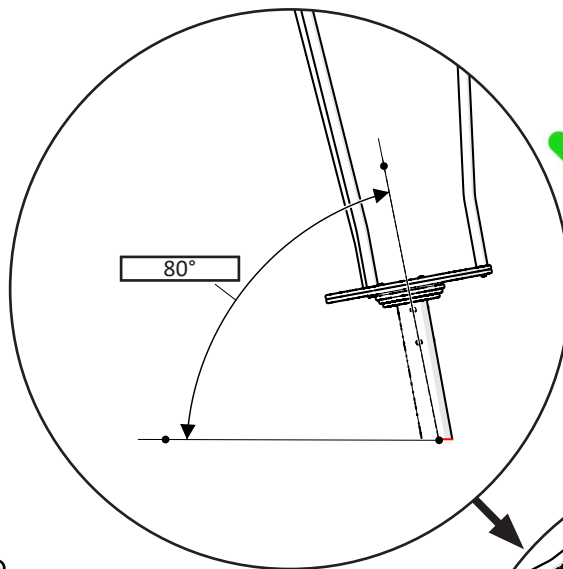
2



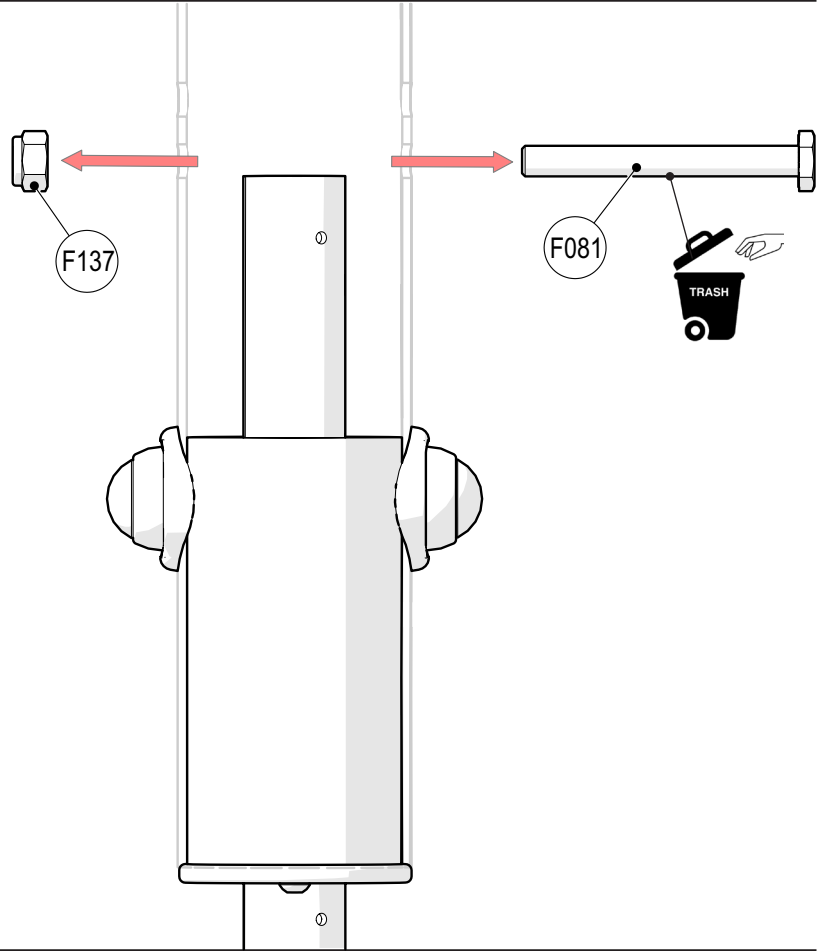
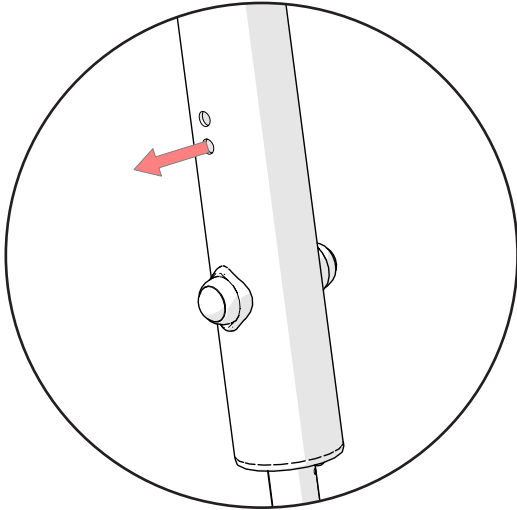
09



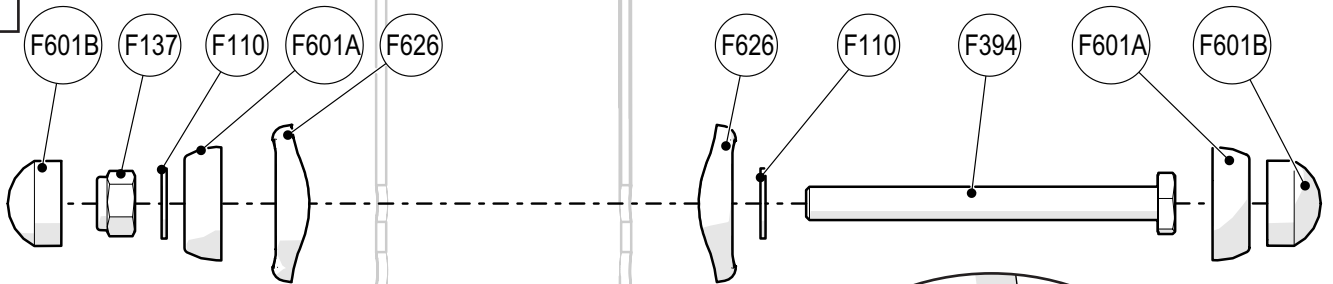
Torque to
20Nm



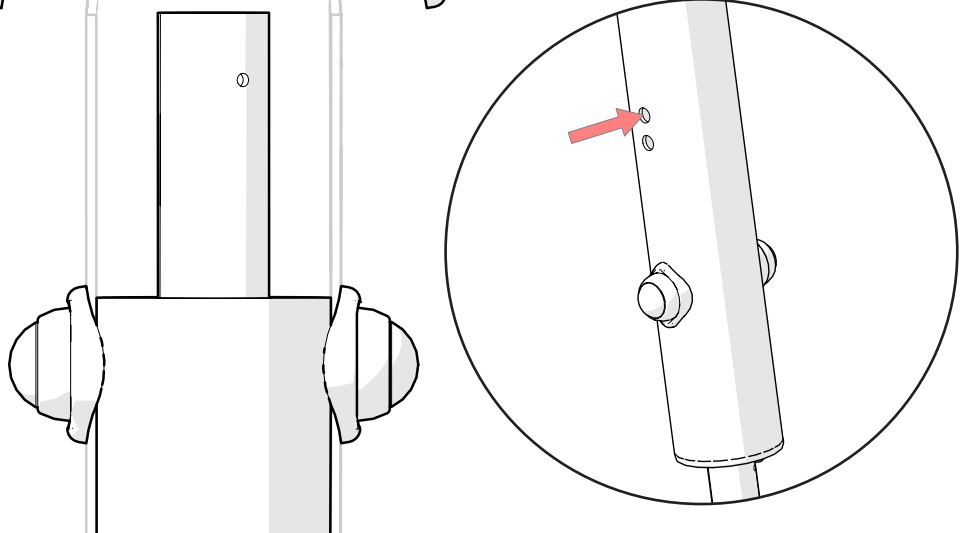
10 After 2 - 3 Days



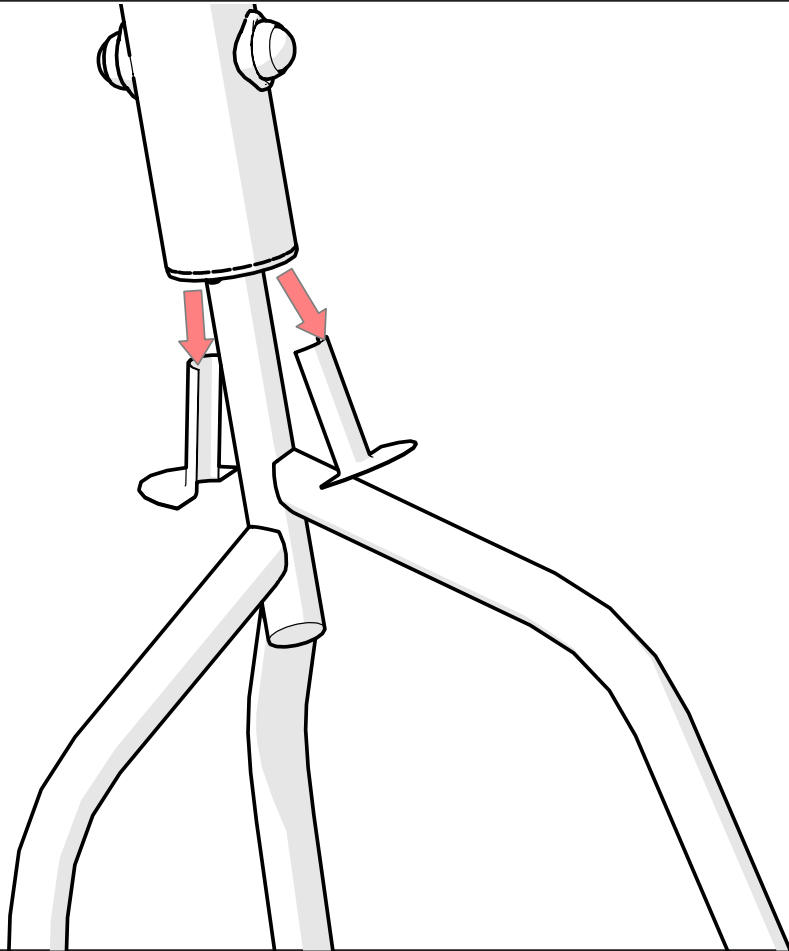
11



F601B	2
F137	1
F110	2
F601A	2
F626	2
F394	1



12



13

F763

8

