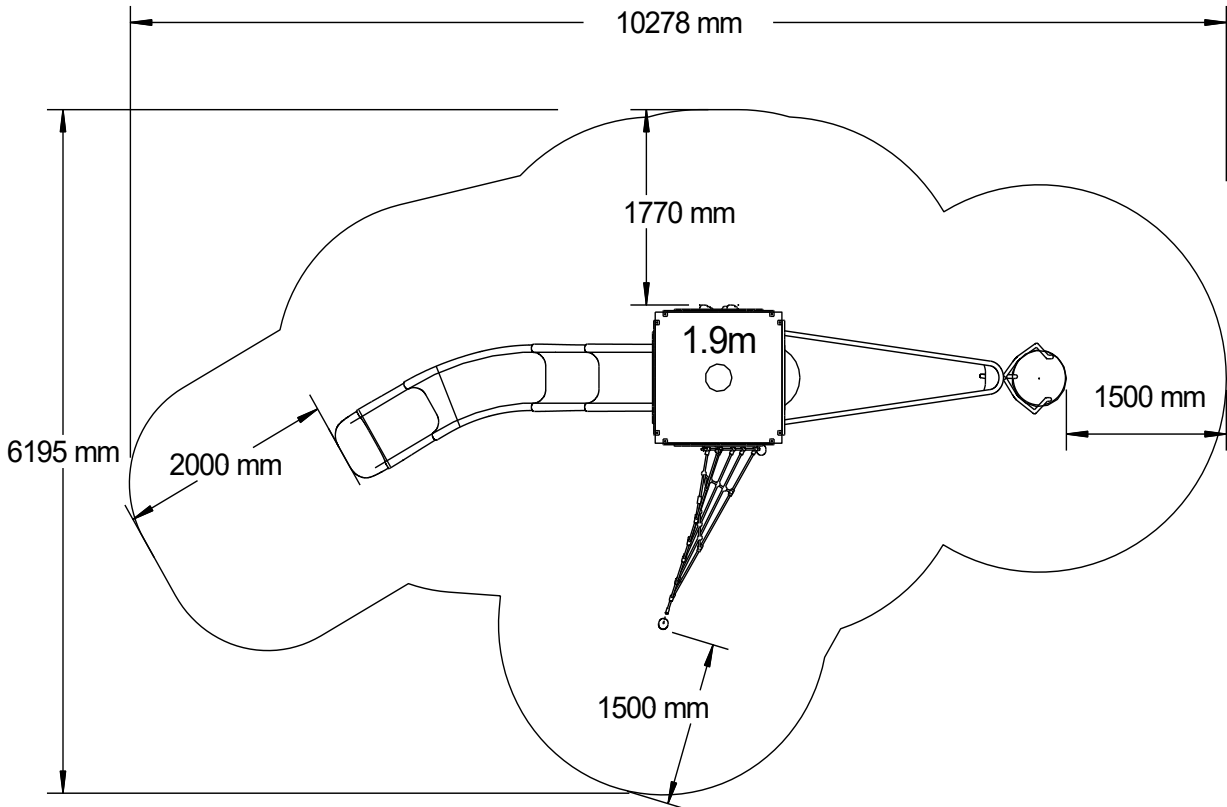


<b>Number</b>	<b>Module Name</b>	<b>Code</b>
1	<u>1.9m Square Tower</u>	BC#A13
2	<u>1.9 Plastic Open Slide or SS Open Slide</u>	BC#B23 or BC#B13
3	<u>1.9m Climbing Wall</u>	BC#G3
4	<u>1.9m Spinner</u>	BC#Q
5	<u>1.9m Twisted Climbing Net</u>	BC#I3

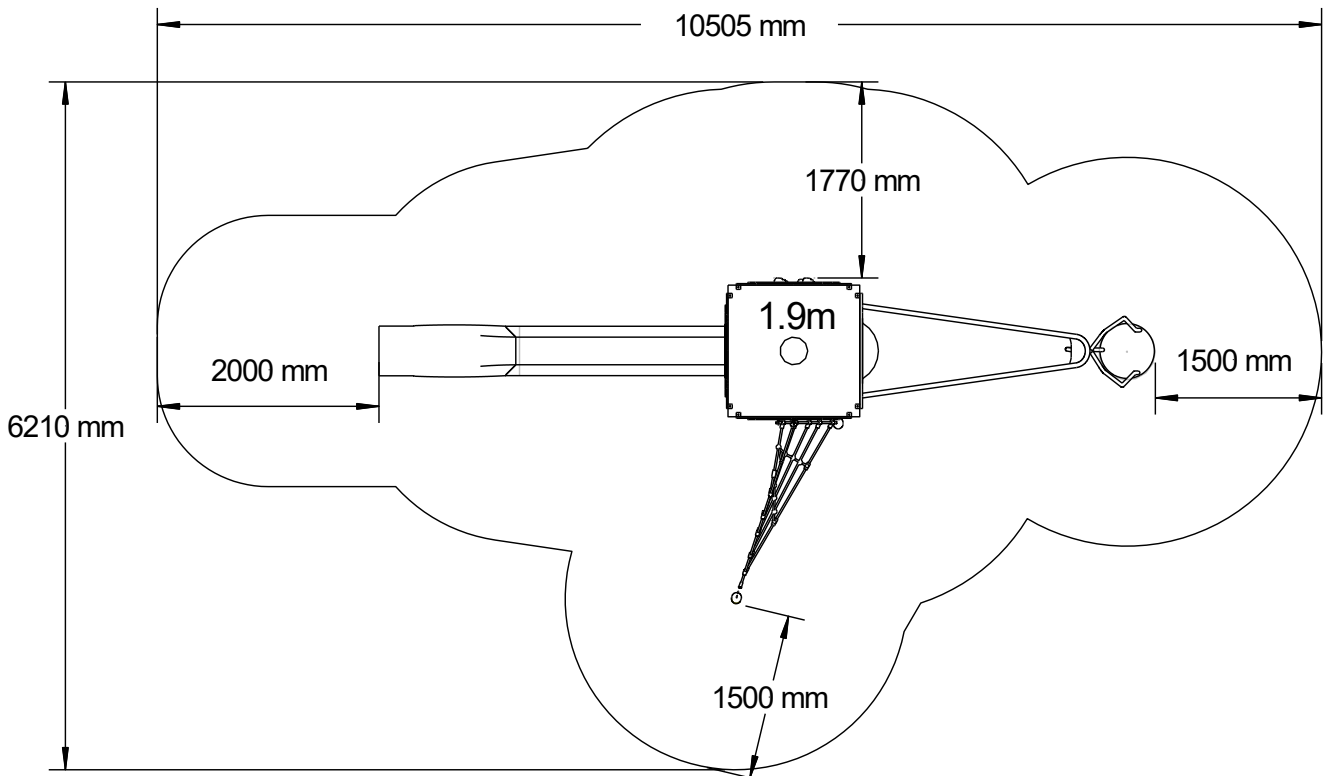


<b>Unit Specification</b>		
	7.0m x 3.0m x 3.1m	
	1.9m	
	379kg	
	33kg	
	2.4m x 0.9m x 0.6m	
	2.4m	
	1 in 50	
	10.7m x 6.7m x 5.6m	
	2	
	10.5 hours	
	0.8m <sup>3</sup>	
	1.0m <sup>3</sup> (Surface Fixed)	

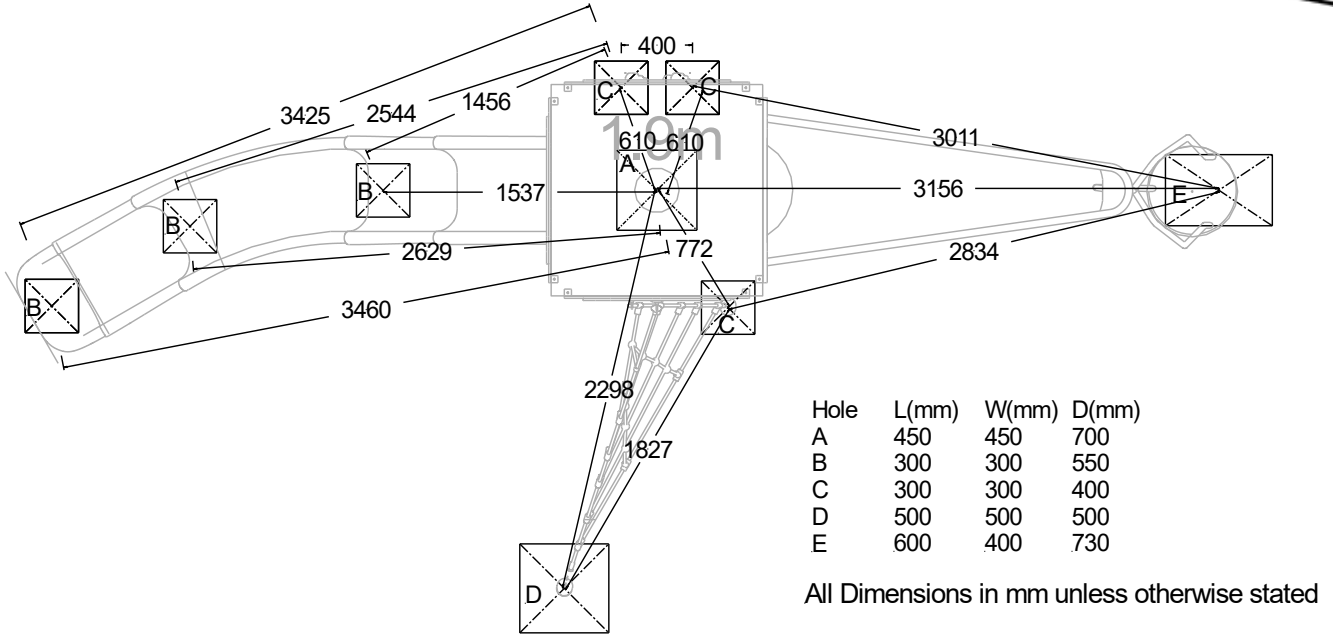
**BS EN 1176 Impact Area - Plastic Slide**



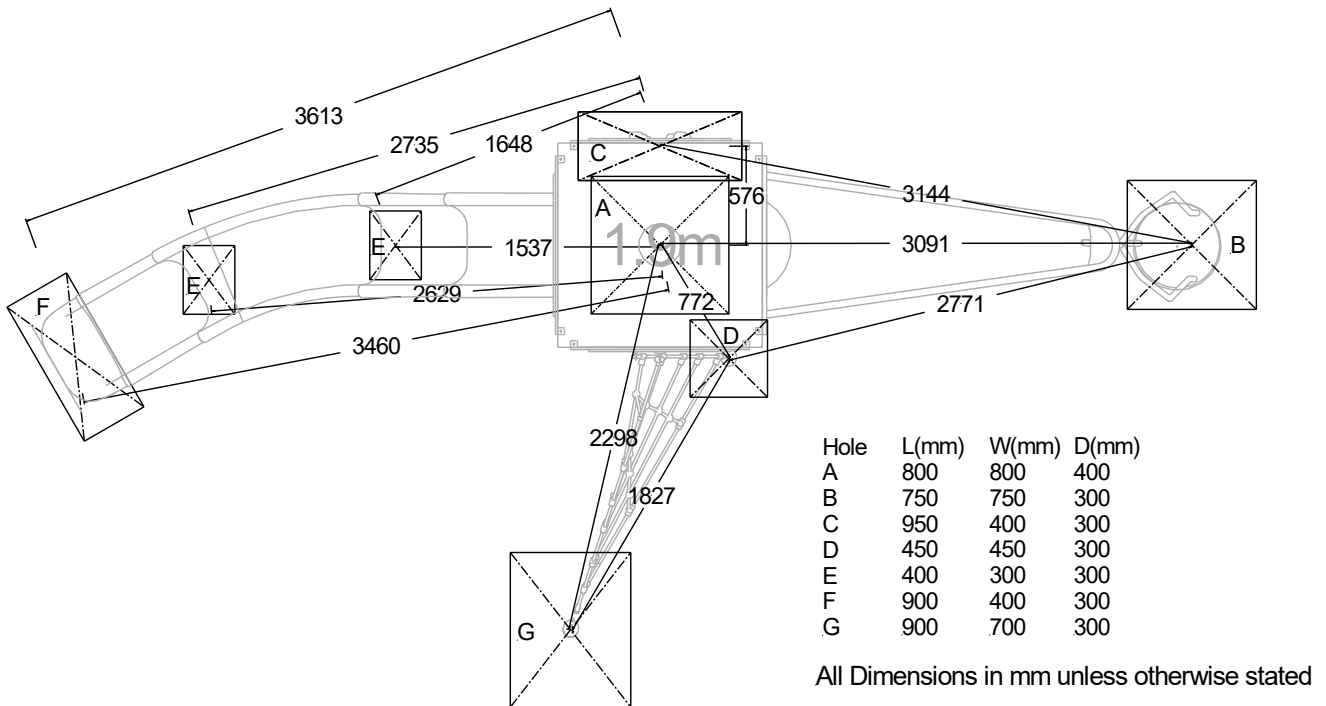
**BS EN 1176 Impact Area - Stainless Steel Slide**



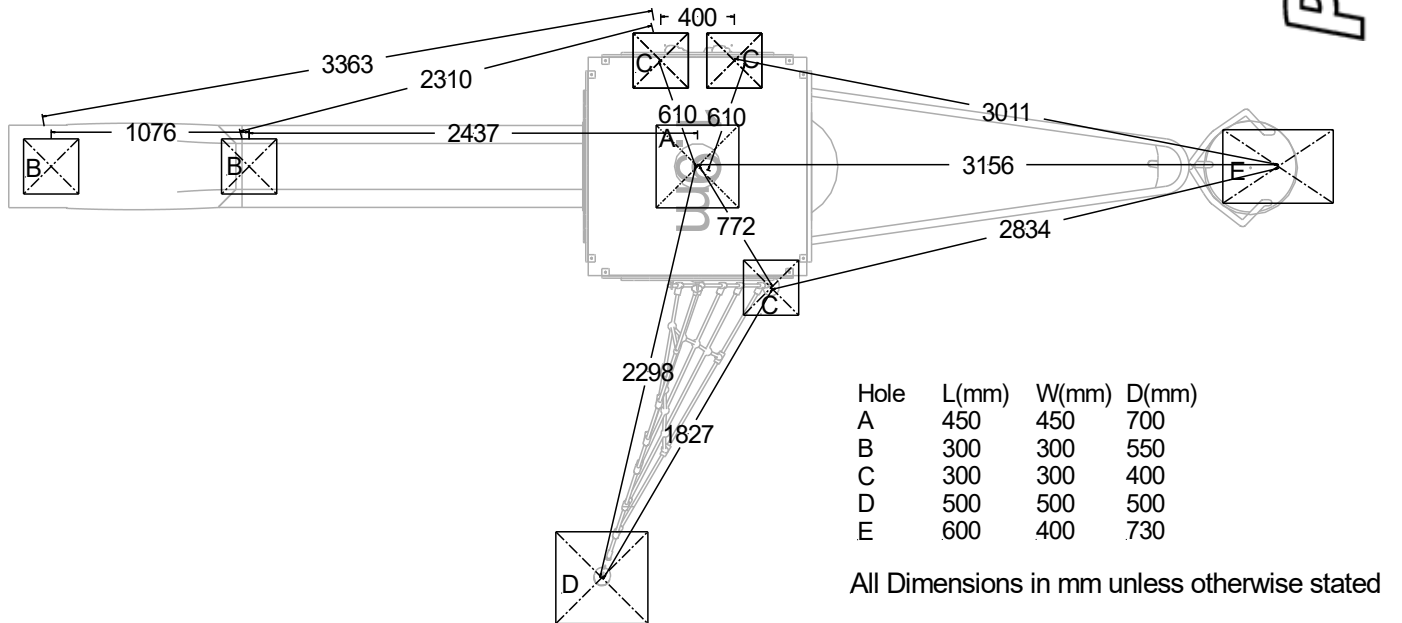
**Standard Foundation Plan—Plastic Slide Digging Plan**



**Surface Fixed Foundation Plan—Plastic Slide Digging Plan**



**Standard Foundation Plan—Stainless Steel Slide Digging Plan**



**Surface Fixed Foundation Plan—Stainless Steel Slide Digging Plan**

