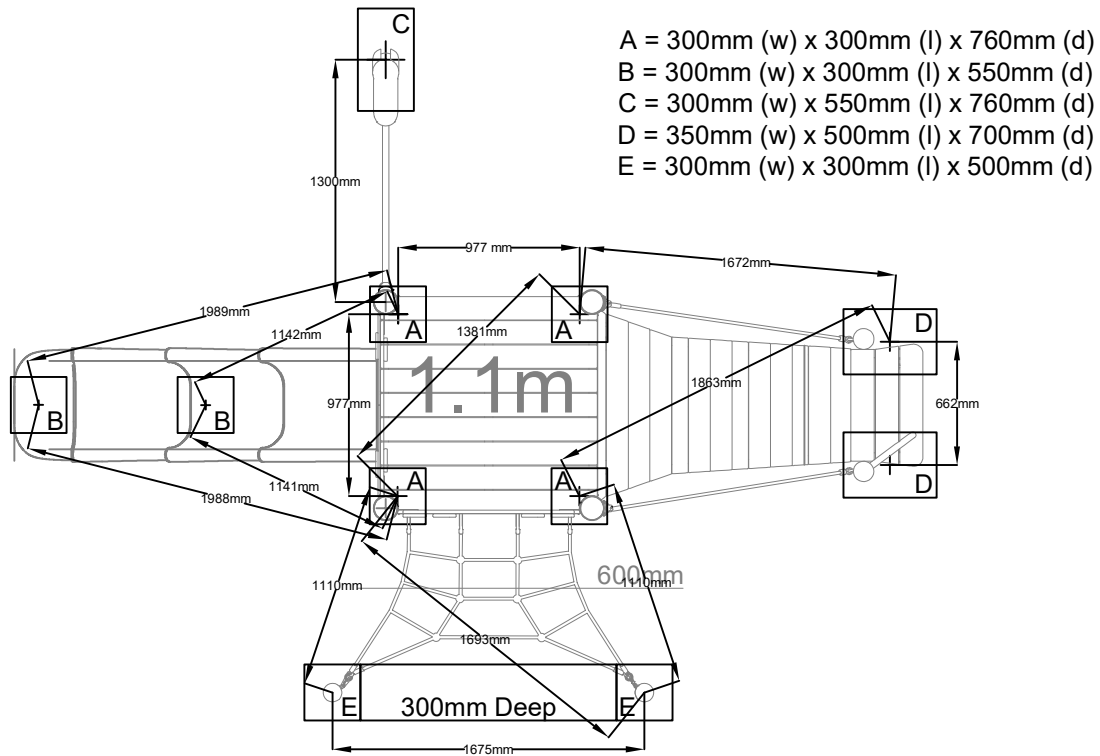
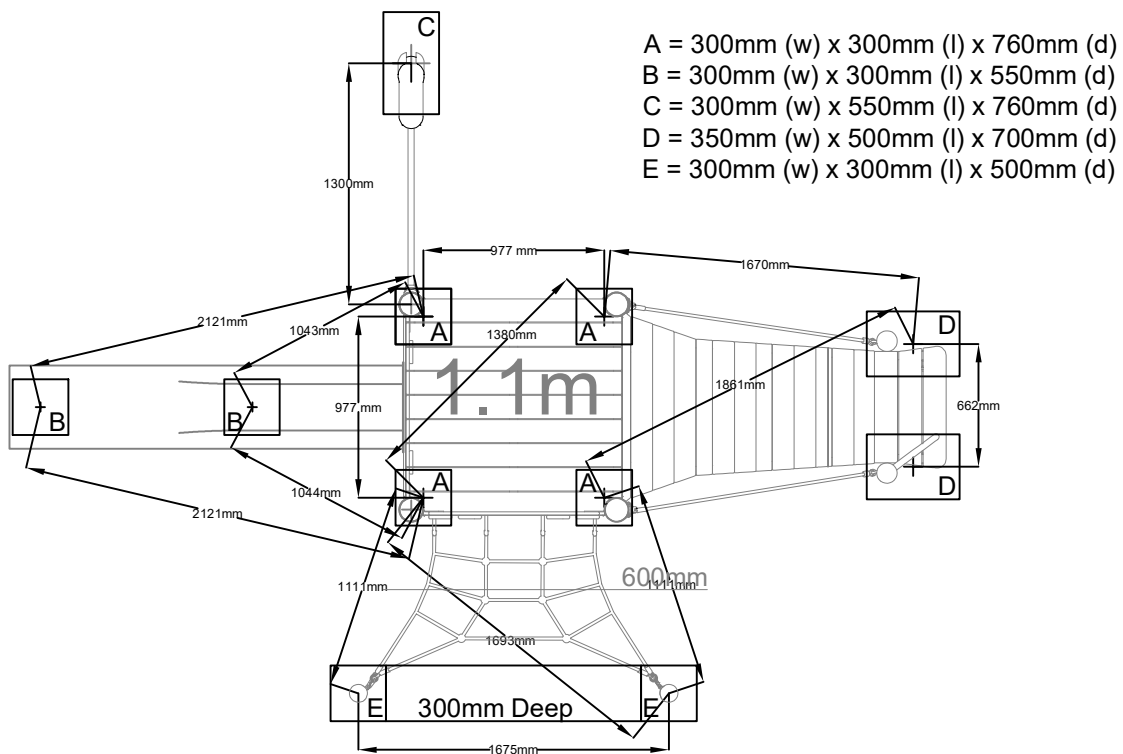


Unit Specification		
<p>Equipment Dimensions</p>	3.5m x 5.0m x 2.9m	<p>FHF</p>
	1.6m	
<p>Overall Weight</p>	268kg	<p>Heaviest Part</p>
	32kg	
<p>Largest Part</p>	2.4m x 0.6m x 0.5m	<p>Longest Part</p>
	2.9m	
<p>Maximum Gradient</p>	1 in 50	<p>Construction Space</p>
	6.9m x 3.8m x 4.9m	
<p>Manpower Required</p>	2	<p>Estimated Time</p>
	12 Hours	
<p>Concrete Required</p>	0.7m ³ SGF	<p>Concrete Required</p>
	N/A	

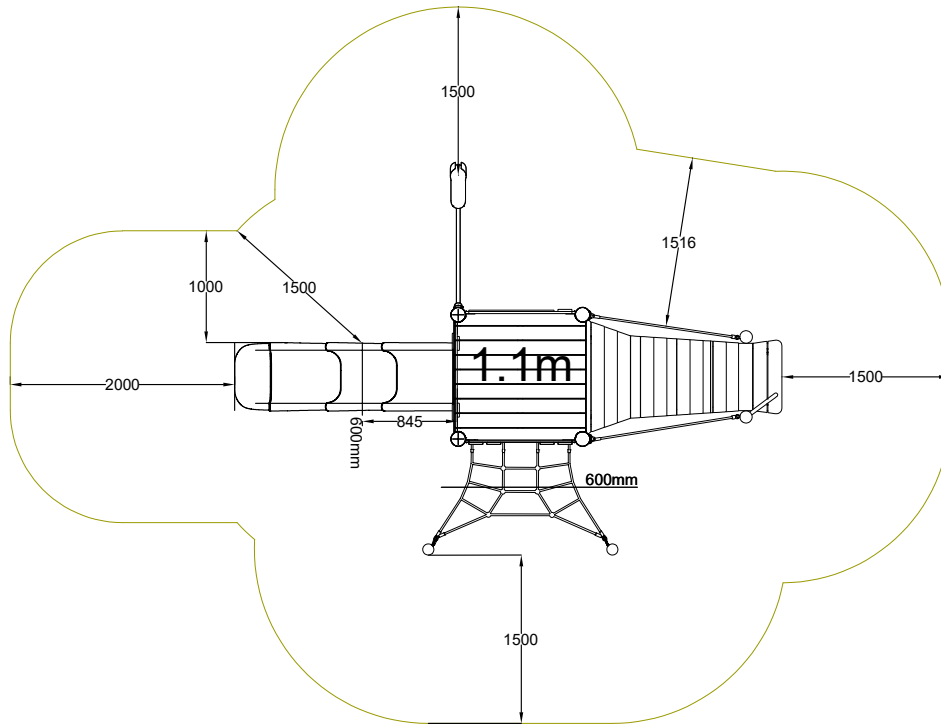
Standard Foundation Plan - Plastic Slide



Standard Foundation Plan - Stainless Steel Slide



BS EN 1176 Impact Area - Plastic Slide



BS EN 1176 Impact Area - Stainless Steel Slide

