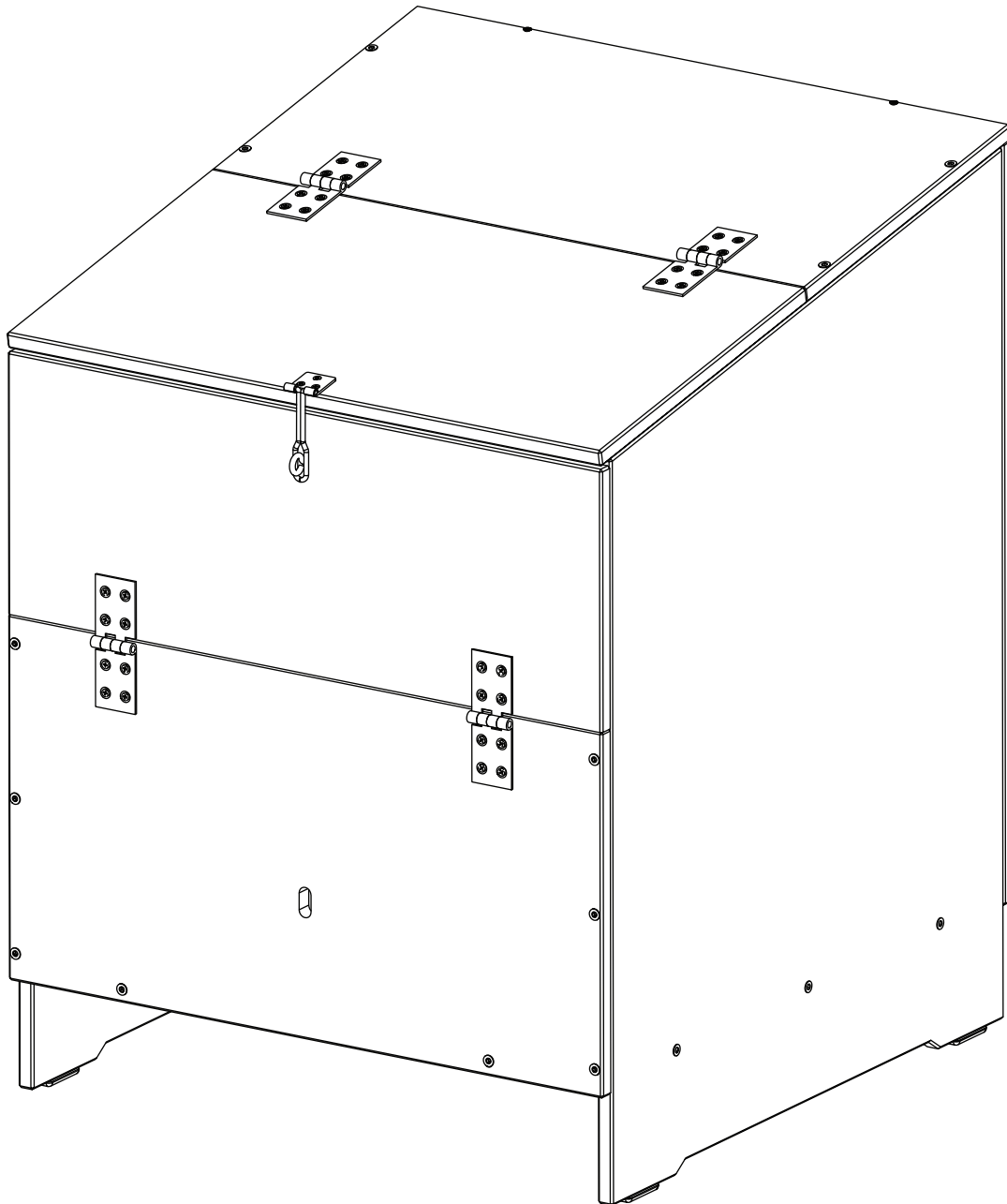
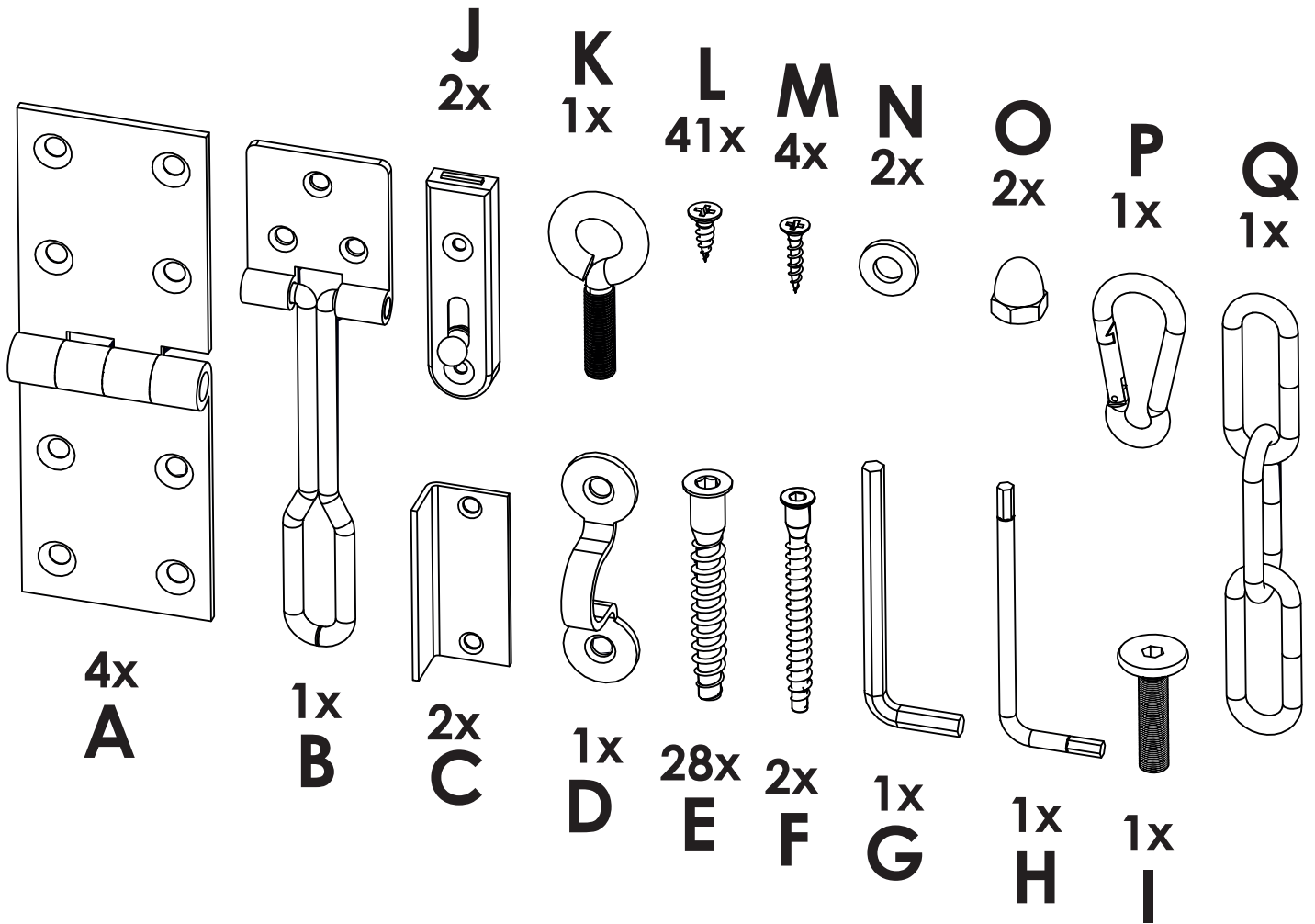


169250 RABO BOX 600x640x790



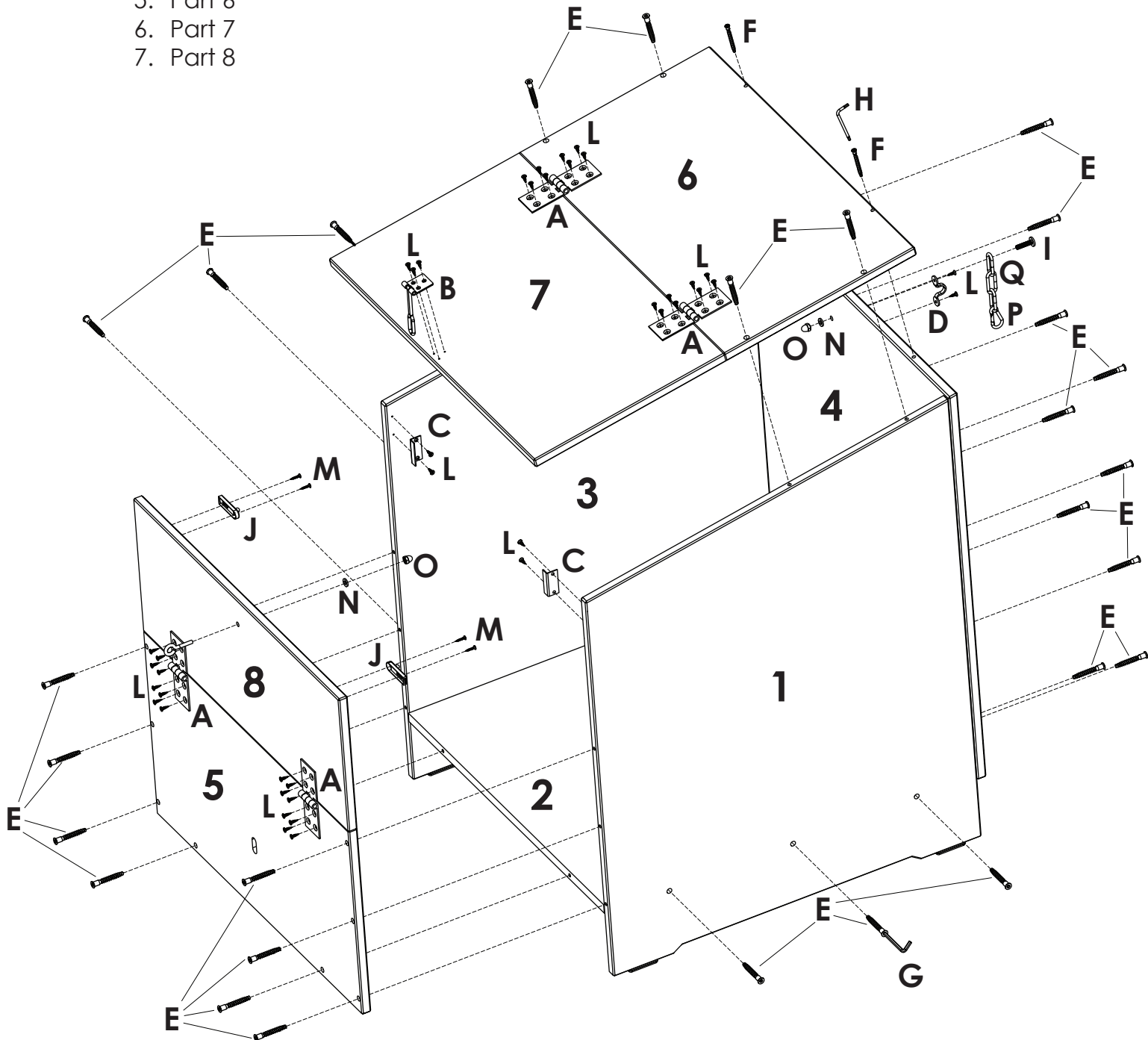
lekolar®

Fittings list:



Assemble the parts in the following order:

1. Part 1 + Part 2
2. Part 3
3. Part 4
4. Part 5
5. Part 6
6. Part 7
7. Part 8



IMPORTANT:

Do not fully tighten any screws E and F until all parts have been assembled.
After completing the assembly, tighten all screws securely.