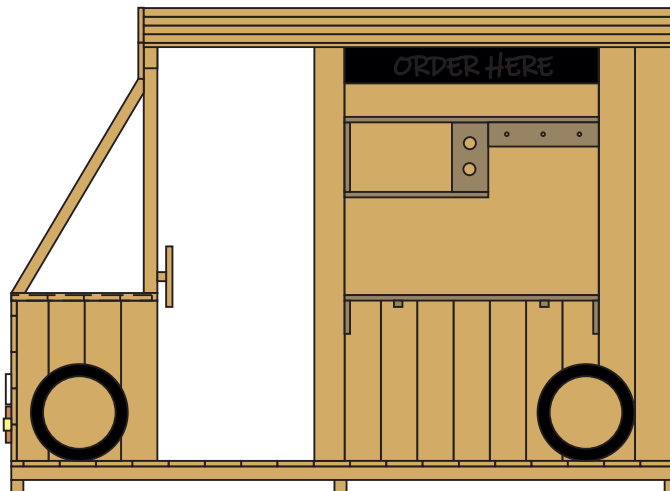
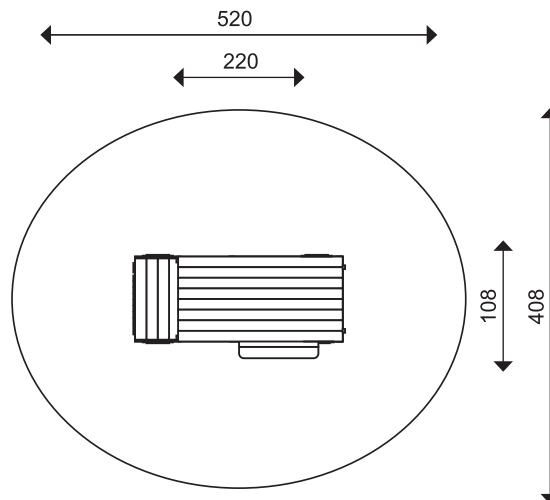


MIMIC FOOD TRUCK



Safety zone:	21 m ²
Length:	220 cm
Width:	108 cm
Total height:	160 cm
Free fall height :	60 cm
Age range:	3-7 years
Max kids:	4
EN Standard:	EN 1176-1:2017+A1
Total Weight:	75 kg
Dimensions:	L: 220 W: 108 H: 160
Availability of spare parts:	Yes



- **Material:**

- Wooden construction of Pine.
- Metal parts and metal fittings in hot dip galvanized steel.
- Plywood parts.
- Lower part made of robinia.

- **Comments:**

- Renders is only for reference, colors and appearance may vary from render.
- Depth of metal anchors on a flat surface is 50 cm.
- No special attenuation surface is needed. The surface must be free from protruding sharp elements and must be flat. Fill in areas where material has been removed.

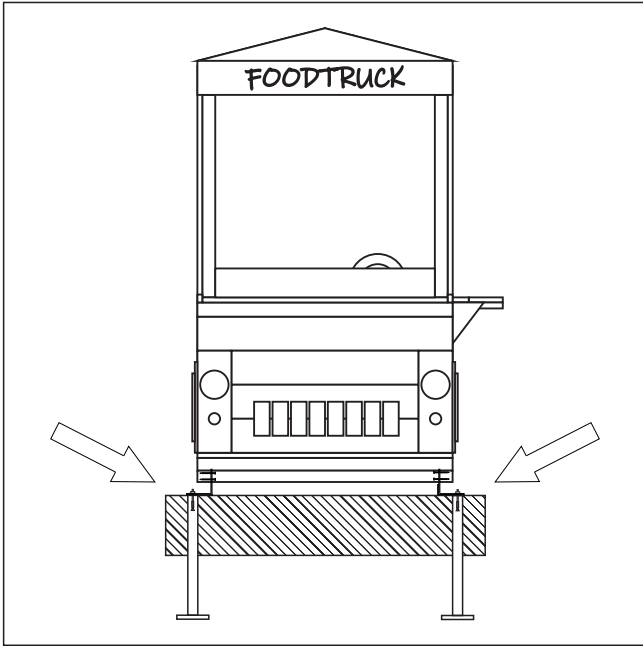
Package Contents:

- 1x** Food truck body (assembled).
- 4x** Anchoring brackets.
- 1x** Instruction manual.

Installation Options:

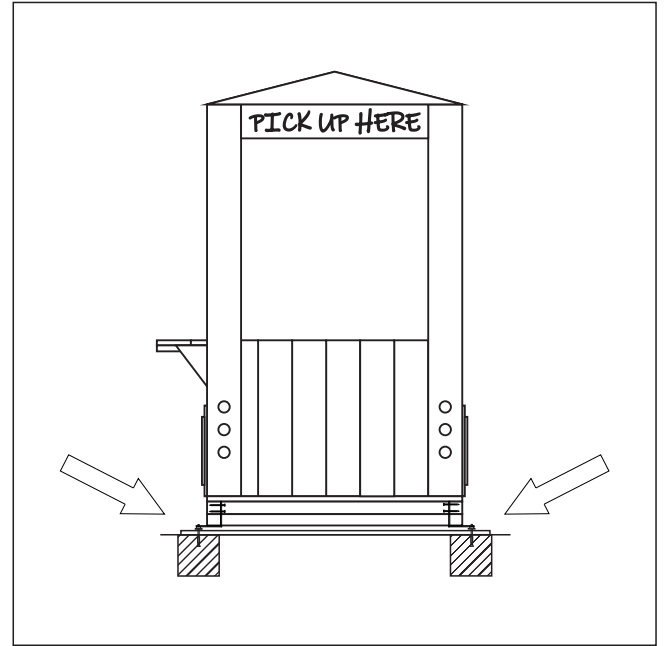
Ground Anchoring:

- Dig 4 holes approx. 300 mm deep.
- Insert anchoring brackets and fix with concrete or compacted gravel.
- Align and level the structure.
- Attach food truck frame to brackets with included screws.



Surface Anchoring:

- Prepare level concrete or asphalt surface.
- Mark and drill 4 holes Ø10 mm (depth ~ 70 mm).
- Insert anchors and fix brackets using expansion bolts.
- Attach food truck frame to brackets securely.



Maintenance & Inspection Guide

- **Routine Maintenance:**
 - Clean surfaces from dirt and moisture buildup monthly.
 - Repaint or seal wooden parts annually (or as needed) with outdoor-grade, non-toxic paint.
 - Remove any sharp objects, splinters or rust if detected.
- **Visual Inspection (Daily):**
 - Check for obvious damage or loose parts.
 - Ensure structure is upright and stable.
 - Confirm no debris or hazards in the safety zone.
- **Technical Inspection (Annual):**
 - Test all anchor points and tightening of bolts.
 - Inspect wood for rot, cracks or weather damage.
 - Confirm integrity of surface materials (no erosion under the product).
- **Winter Maintenance:**
 - Remove snow and ice regularly to prevent slip risk.
 - Ensure drainage is working (especially under car body).
 - Avoid usage during heavy frost or flooding. It is permitted to cover the structure with a breathable, water-resistant outdoor cover (e.g. polyester fabric with ventilation) to protect from snow accumulation.
 - Do not use airtight plastic sheets as they may trap moisture and increase the risk of wood decay.

This product conforms to EN 1176-1:2017+A1

Version: 2025.01 / Language: EN