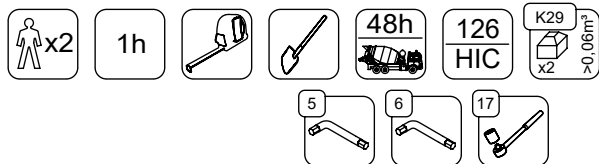
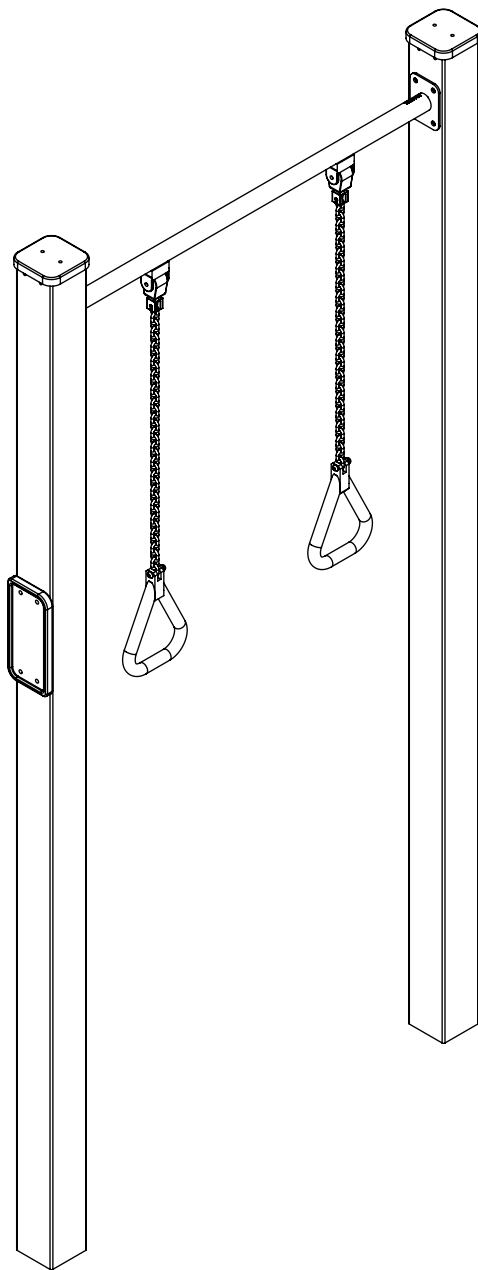
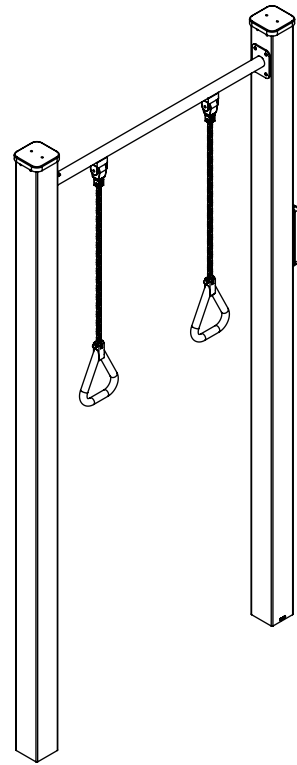
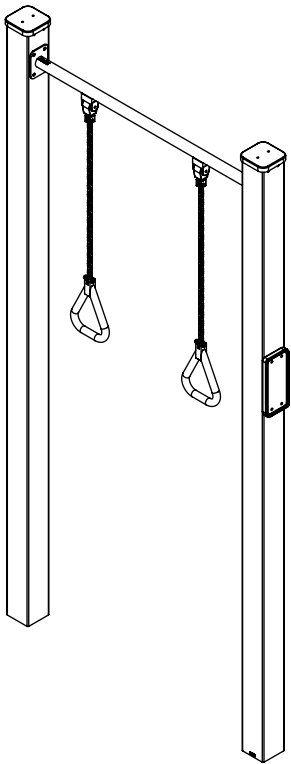
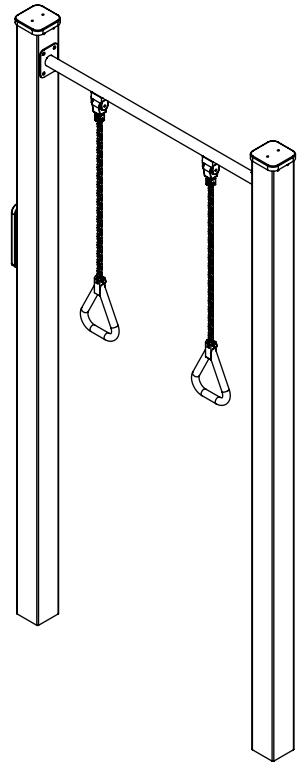
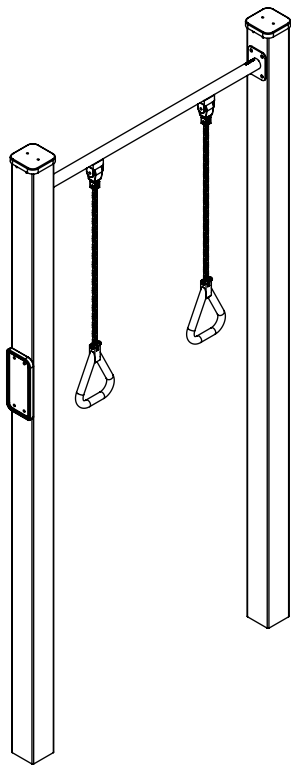


# 2313



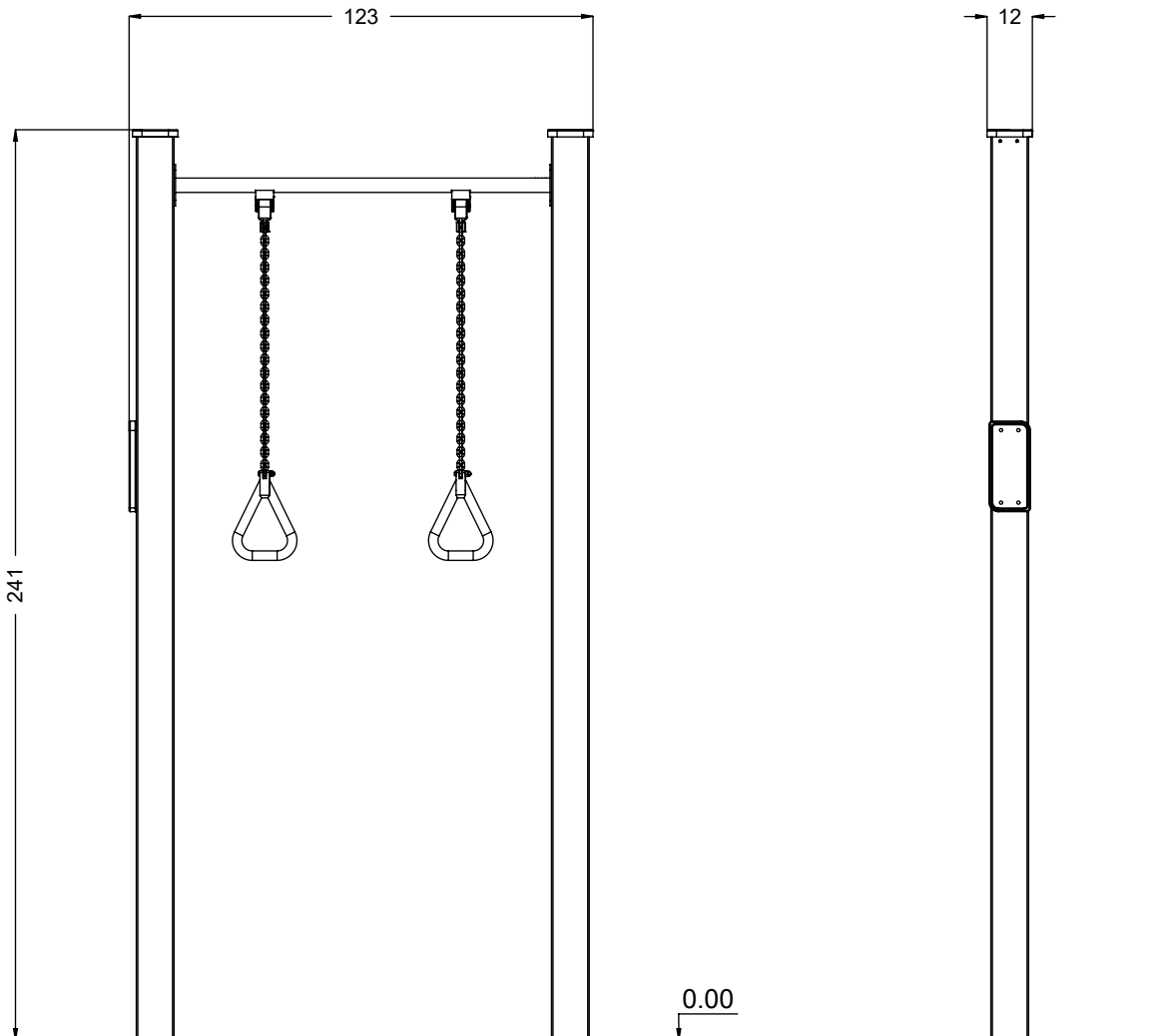
v011  
25.11.2022  
I.A.  
[cm]

vinci  
play



[cm]

vinci  
play

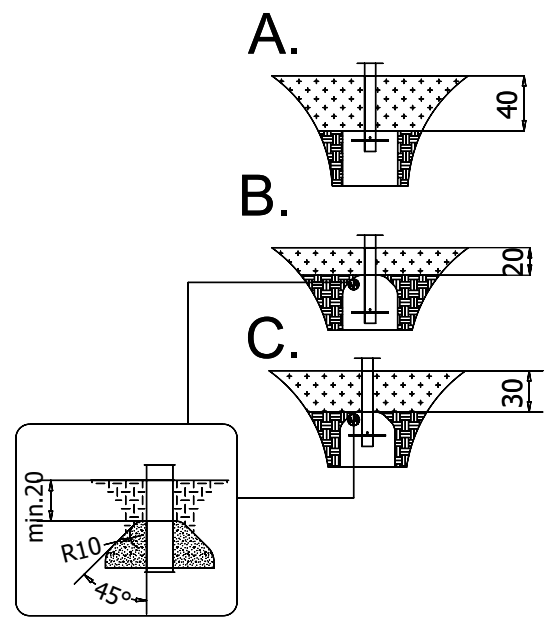
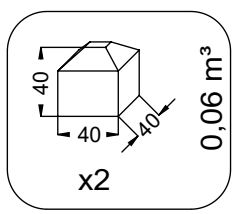
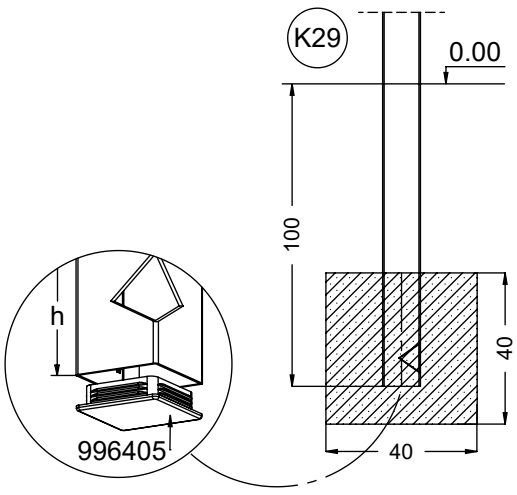


[cm]

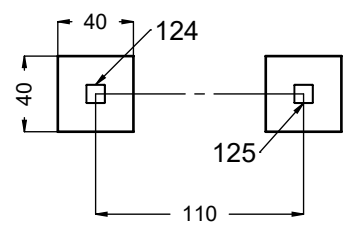


vinci  
play





K29



[cm]

x2  
 1h  
  
  
 48h  
 K29 x2 >0,06m³

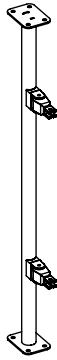
vinci play



237124  
x1



237125  
x1

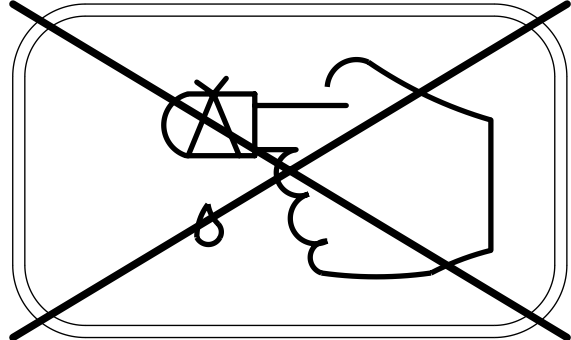
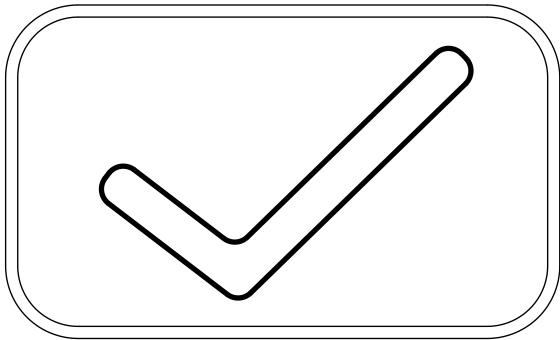
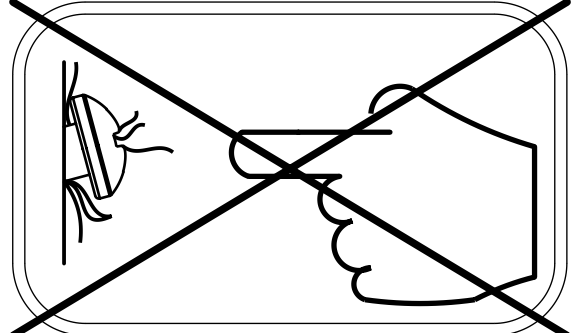
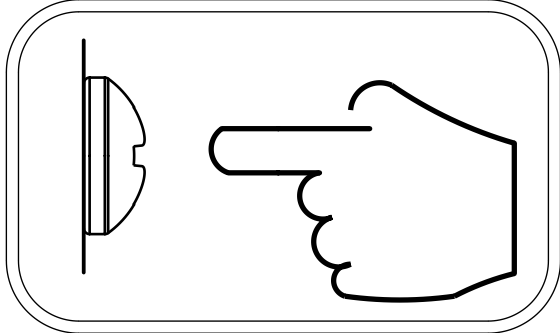
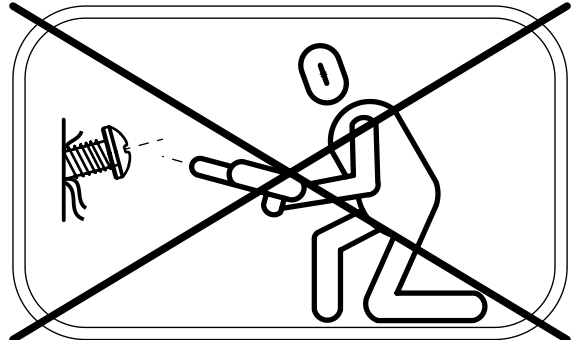
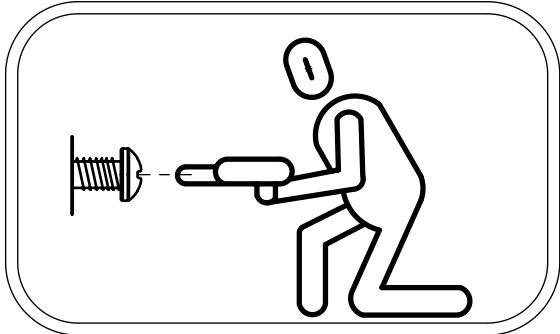


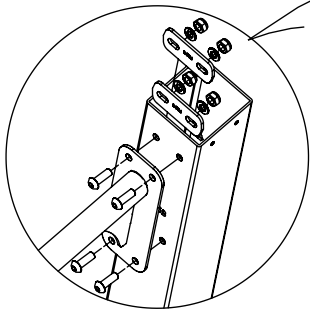
232108  
x1



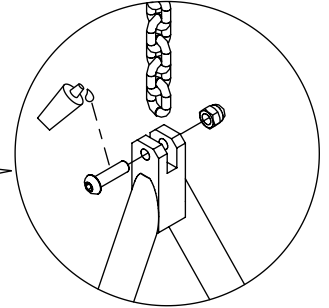
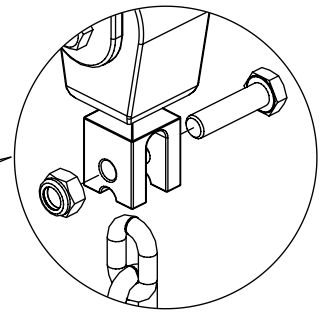
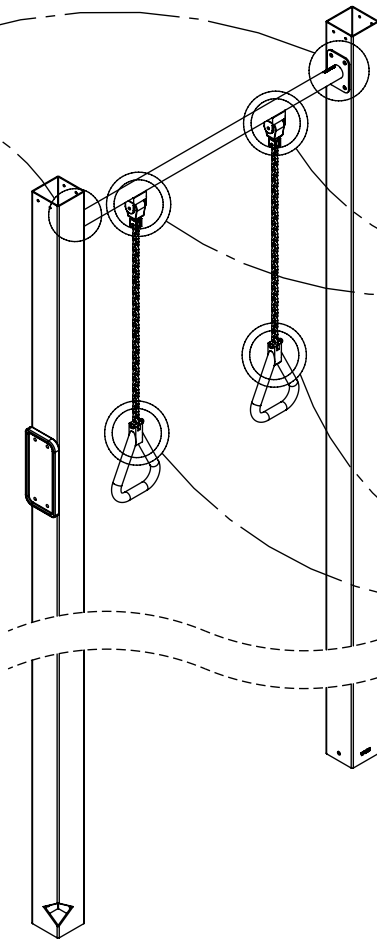
996338  
x2

ST/INOX	
2x	23e001
2x	23e004
1x	23e043
1x	23e003
1x	236113
2x	996405

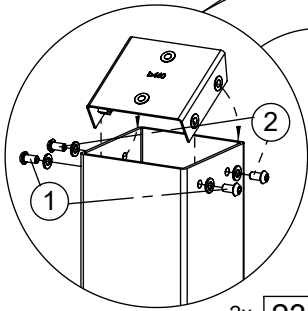




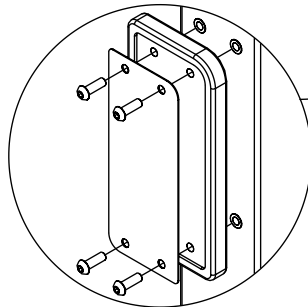
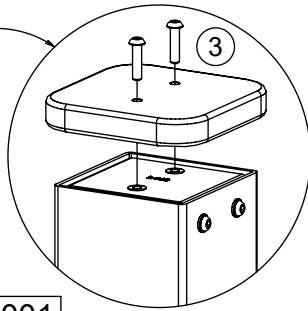
2x 23e004



1x 23e043

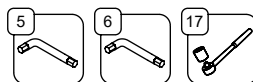
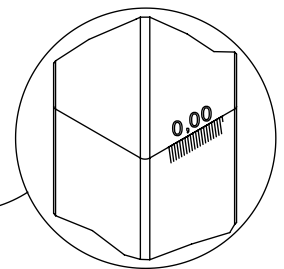
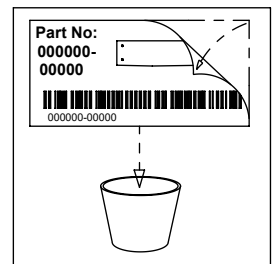
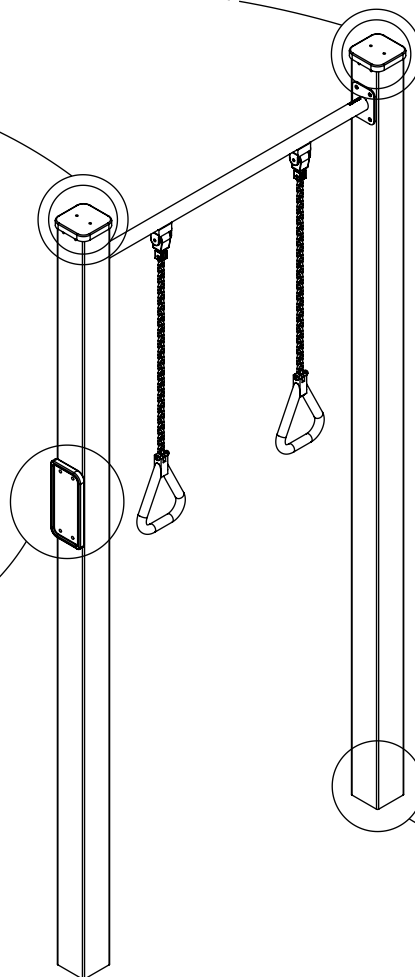


2x 23e001



1x 23e003

1x 236113



[cm]

vinci play