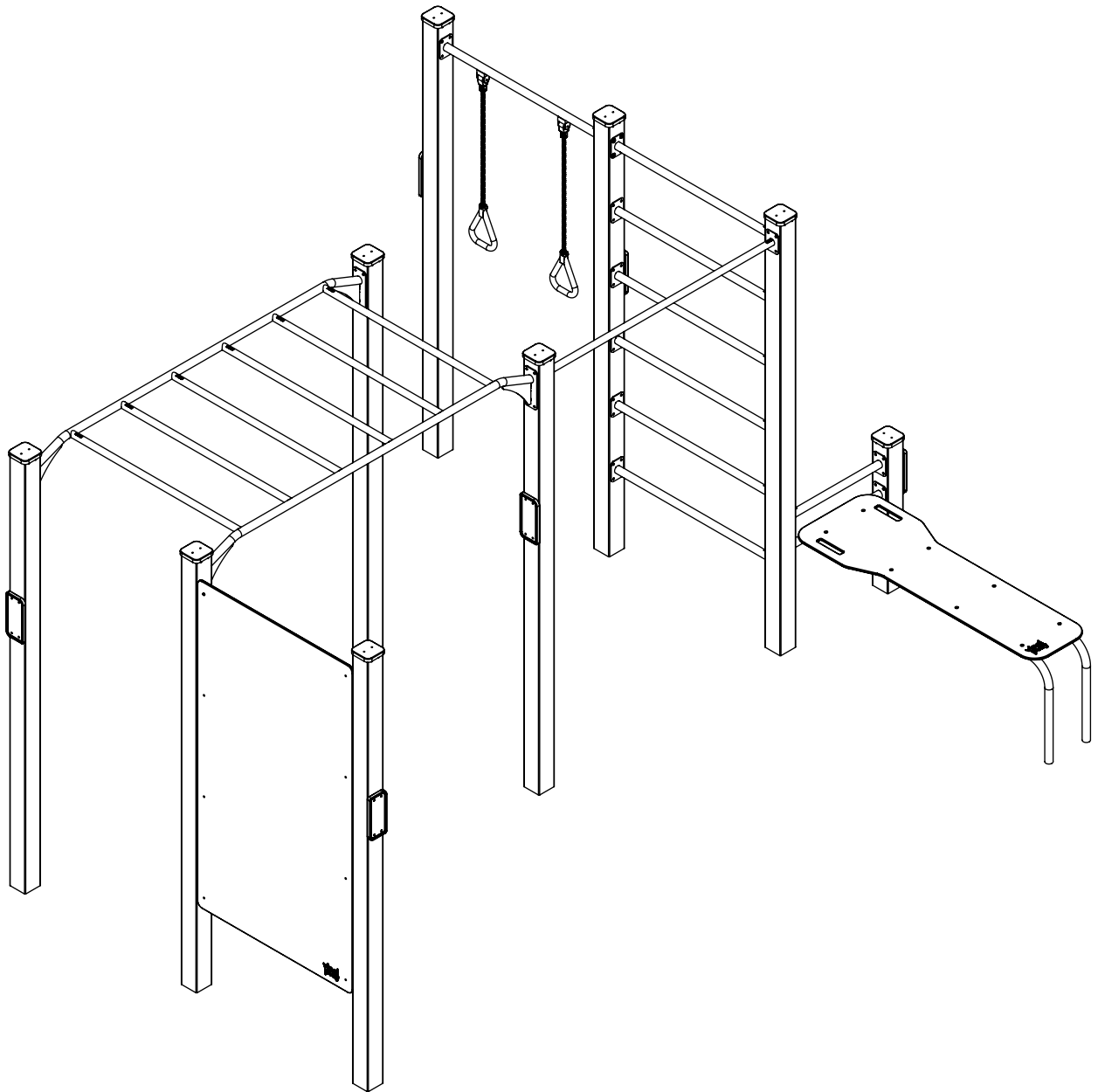
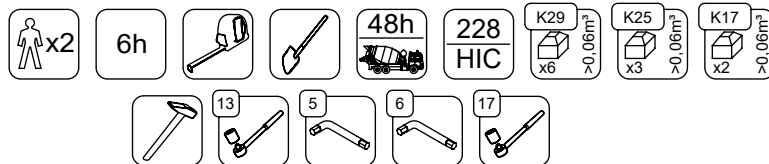


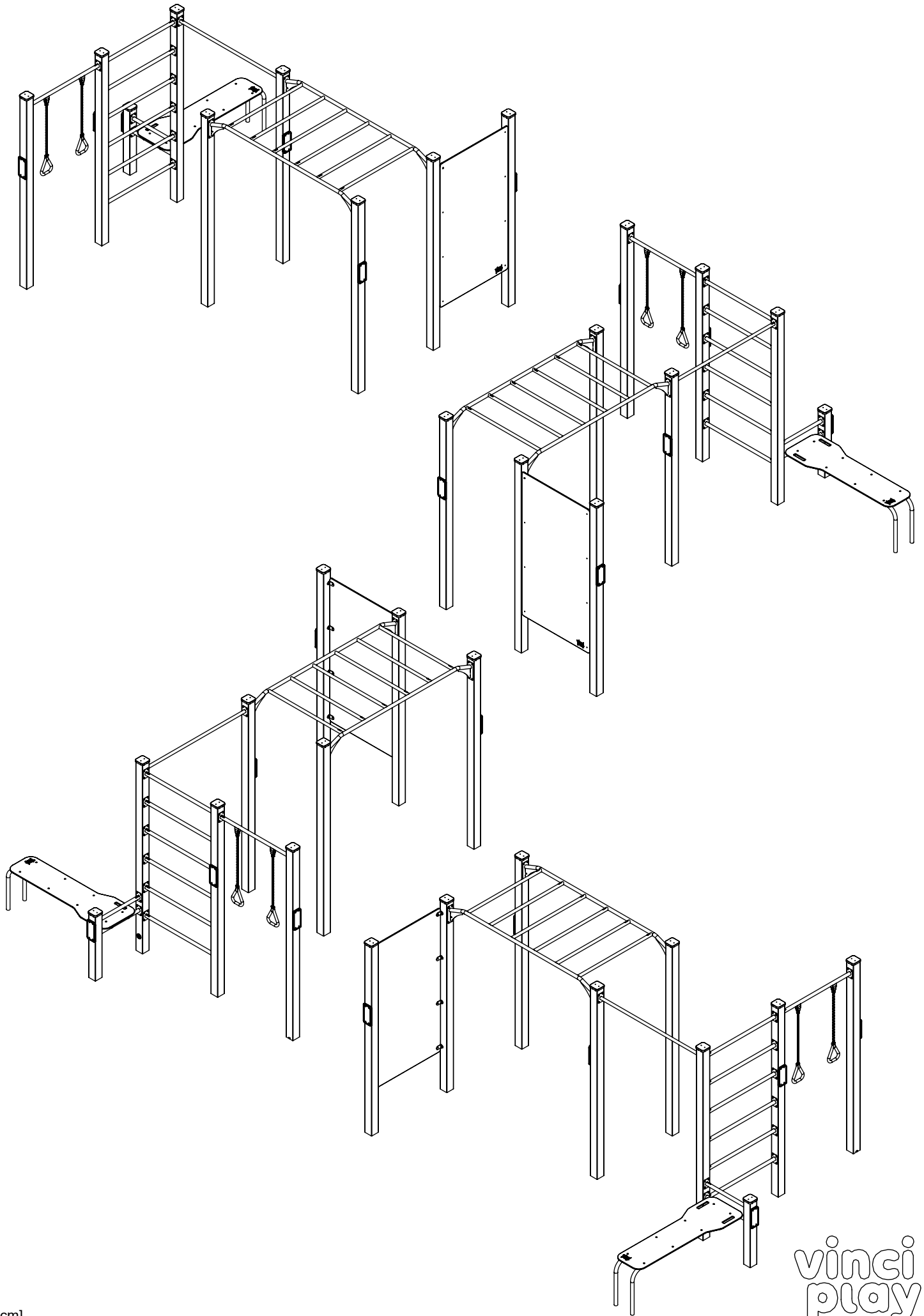
2324



v011
25.11.2022
I.A.
[cm]

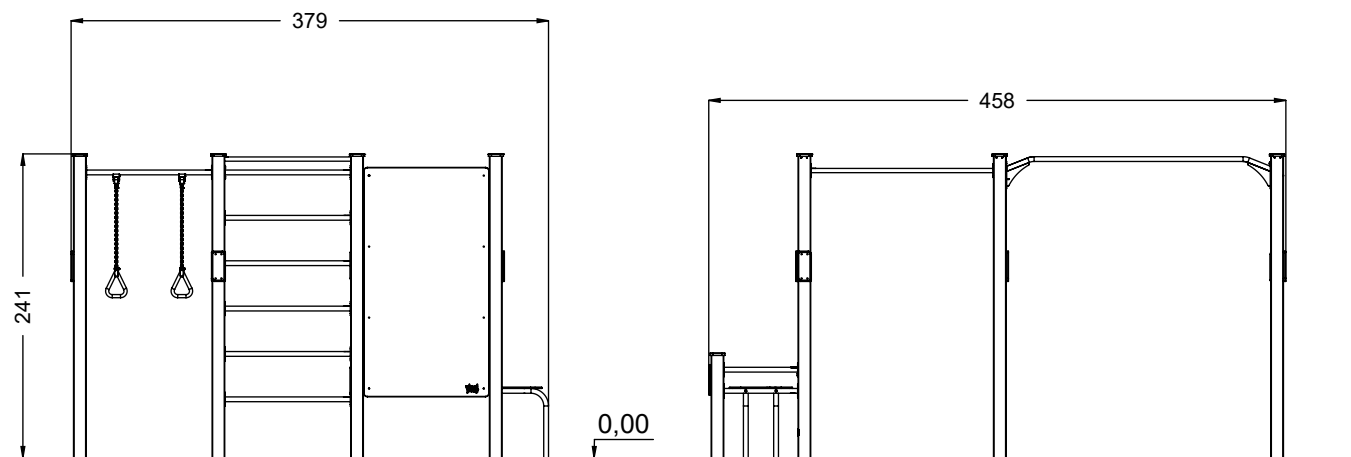


vinci
play



[cm]

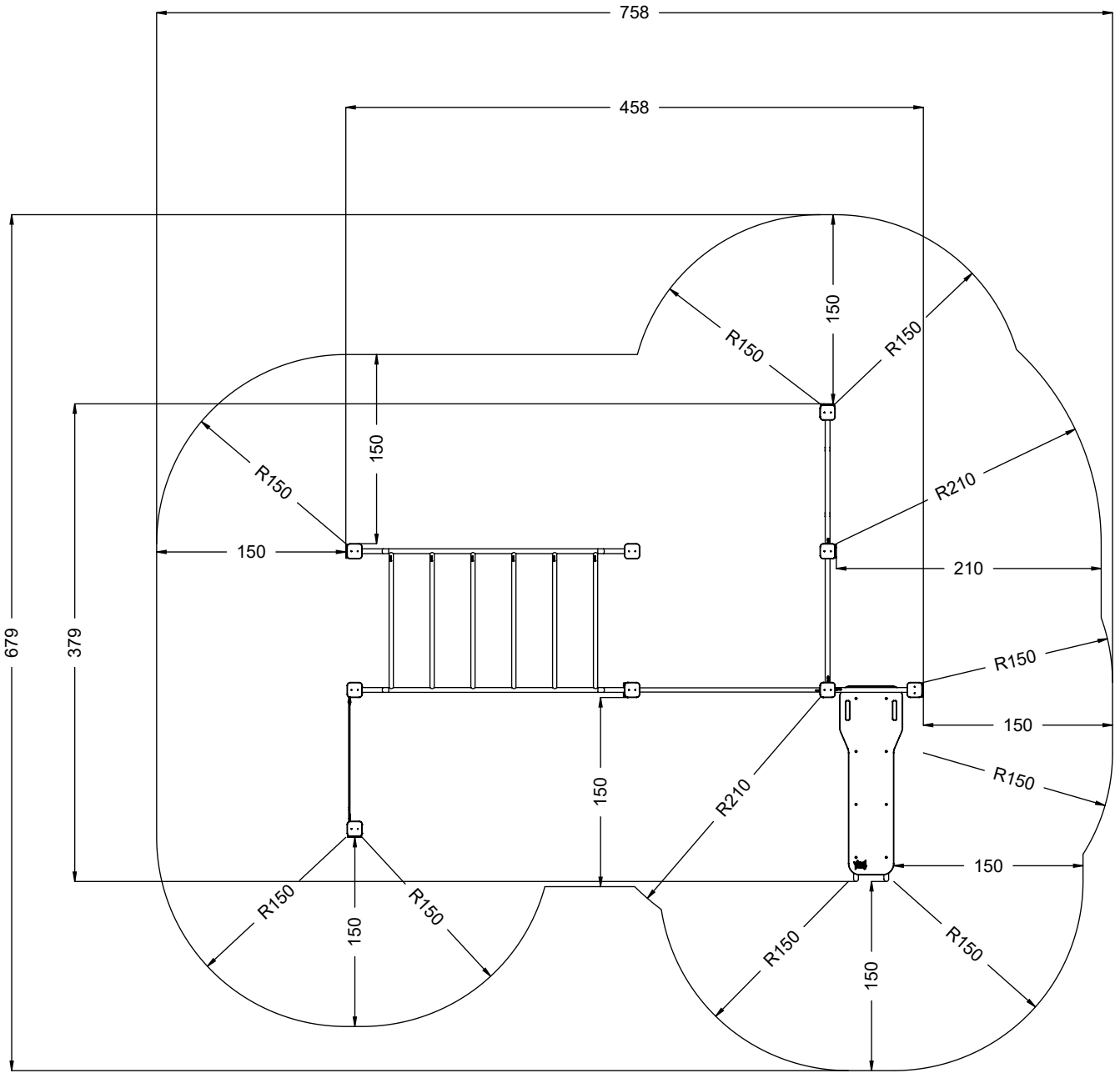
vinci
play



[cm]



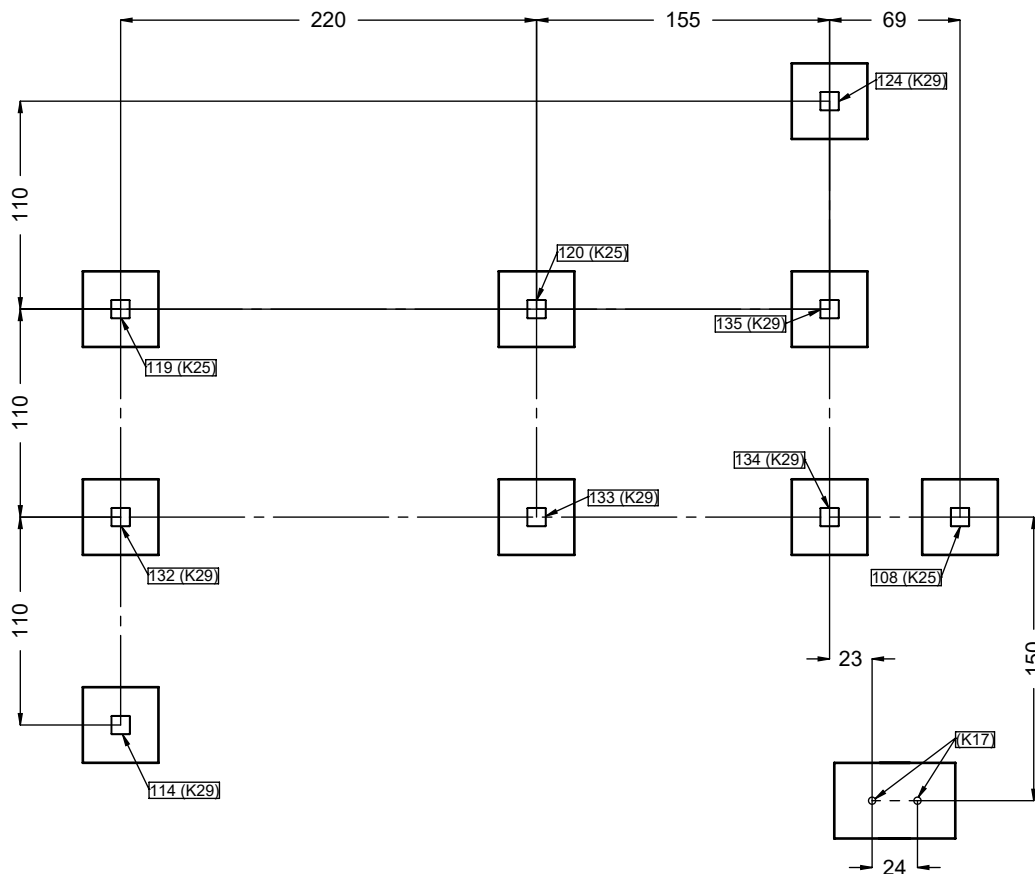
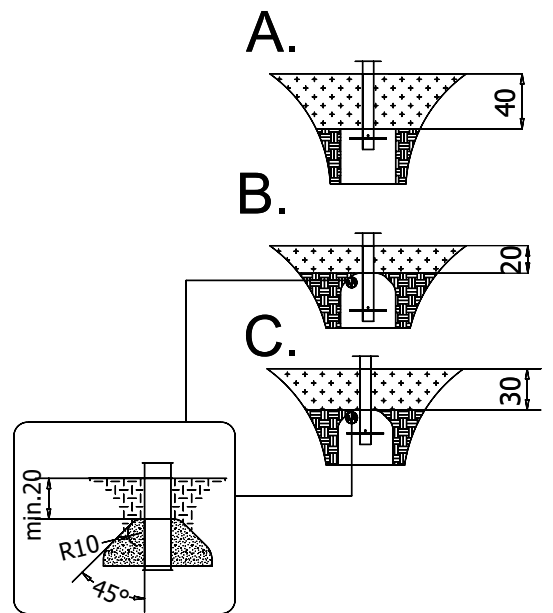
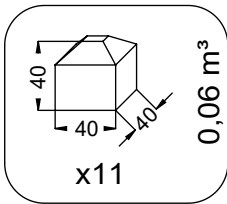
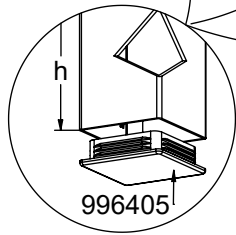
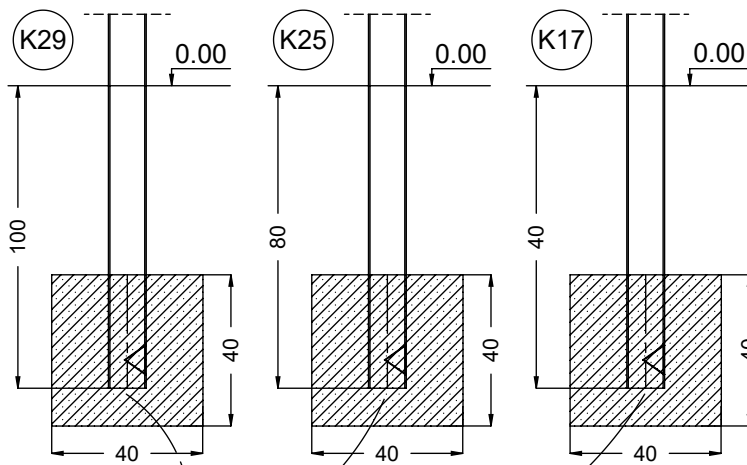
vinci
play



[cm]



vinci
play



[cm]



6h



vinci
play



237114
x1



237132
x1



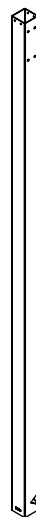
237119
x1



237133
x1



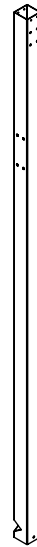
237108
x1



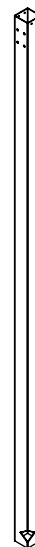
237120
x1



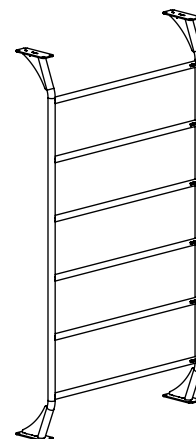
237124
x1



237135
x1



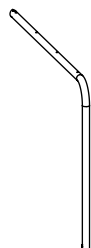
237134
x1



232111
x1



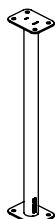
231102
x1



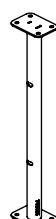
232103
x2



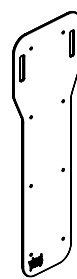
996338
x2



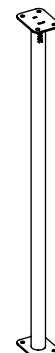
232104
x1



232105
x1



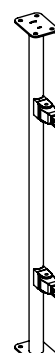
231100
x1



232100
x6

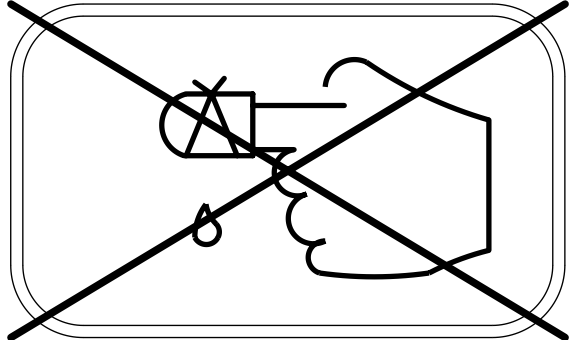
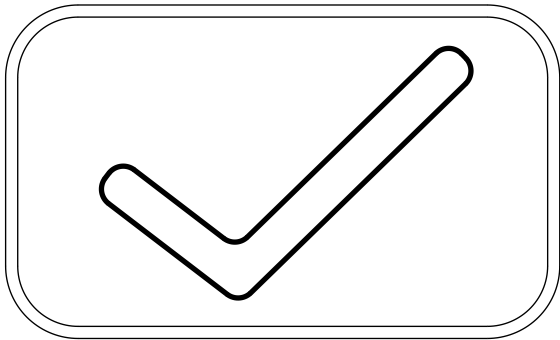
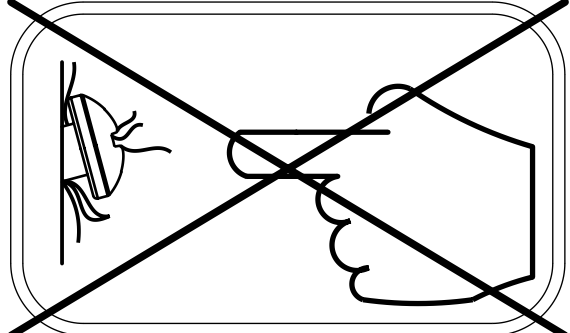
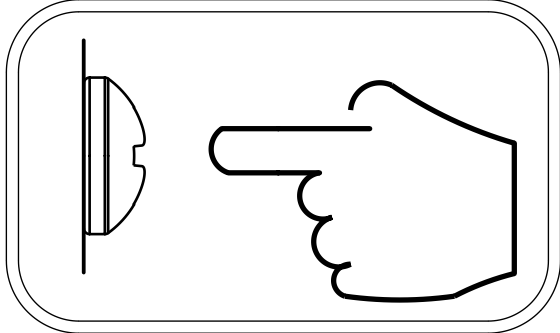
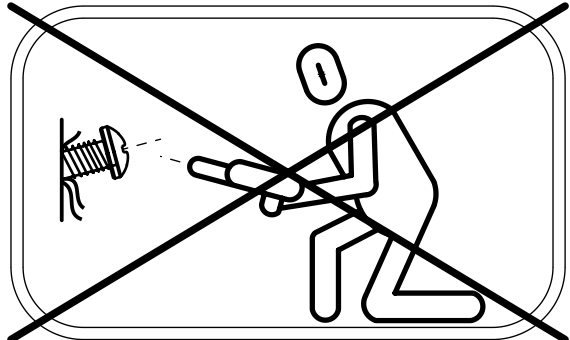
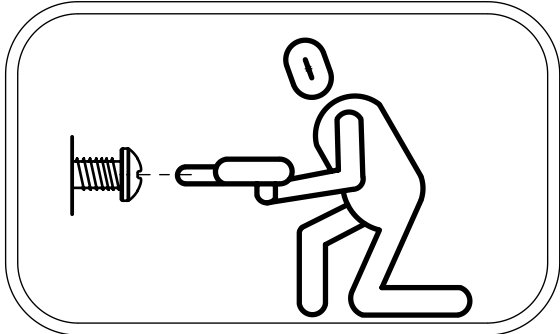


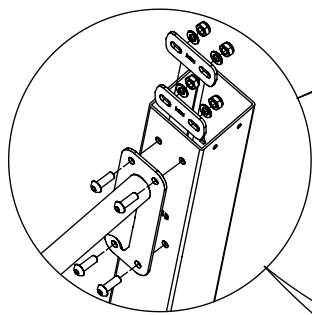
232106
x1



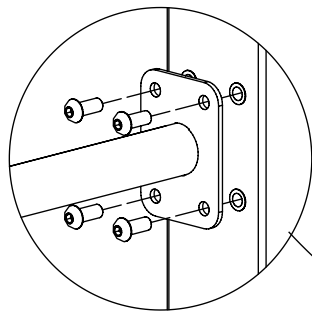
232108
x1

ST/INOX	
9x	23e001
12x	23e004
12x	23e008
1x	23e040
1x	23e042
1x	23e043
1x	23e044
6x	23e003
1x	236106
1x	236107
1x	236108
1x	236109
1x	236113
1x	236114
9x	996405
1x	V003

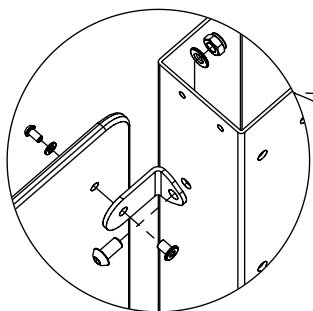
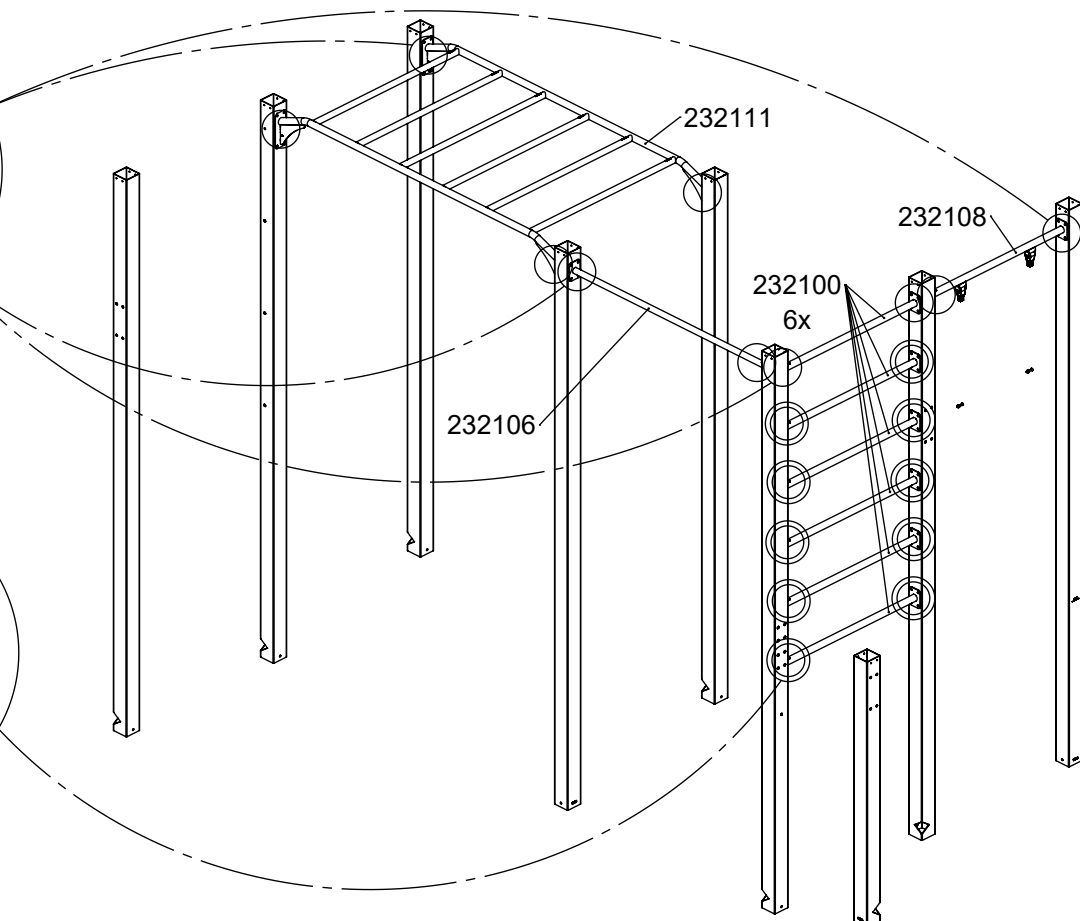




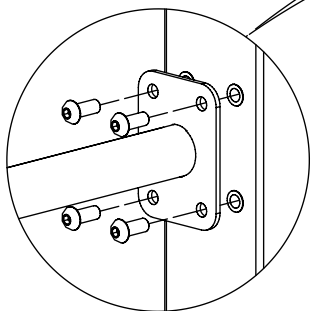
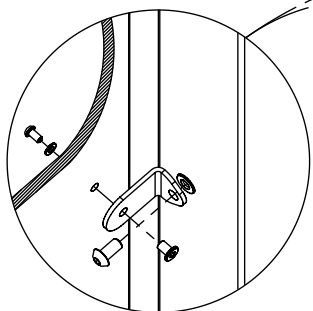
10x **23e004**



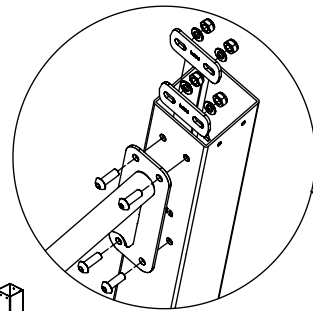
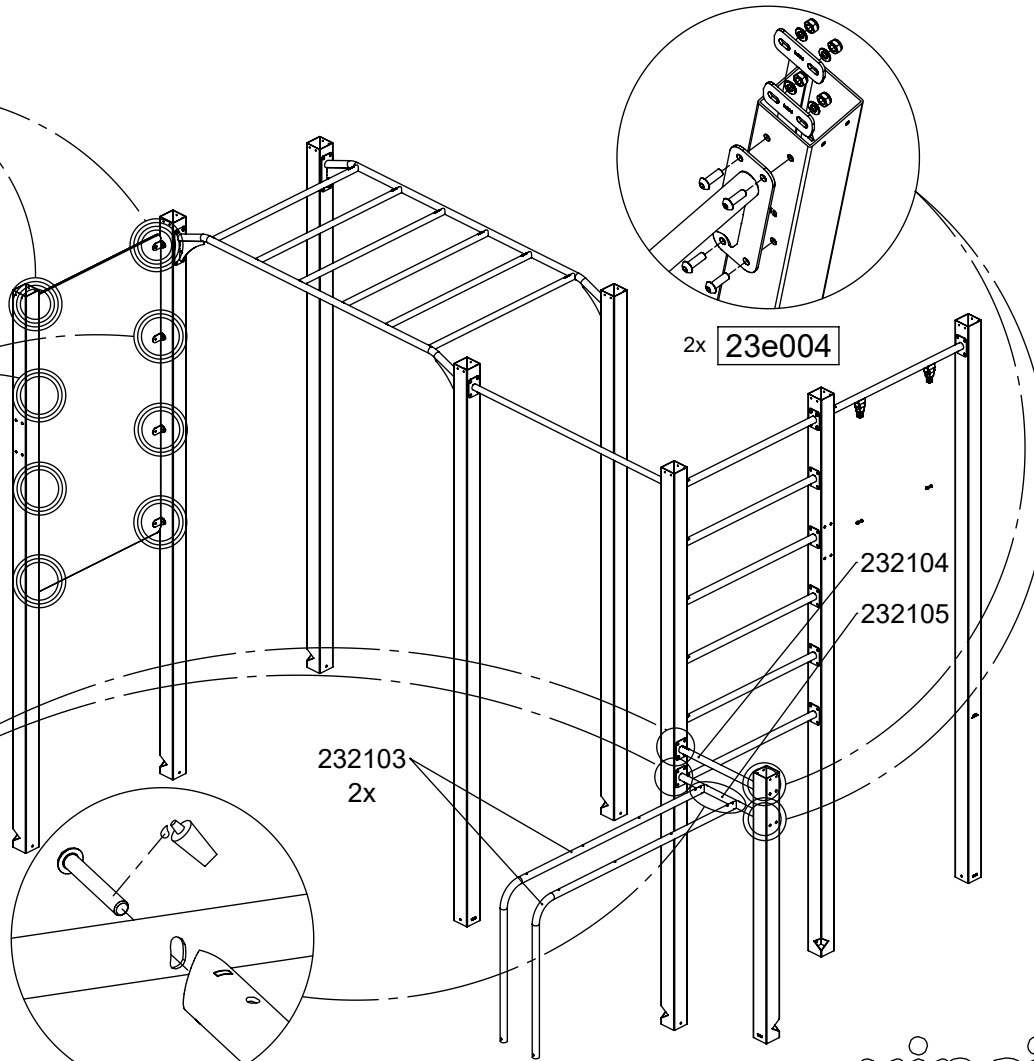
10x **23e008**



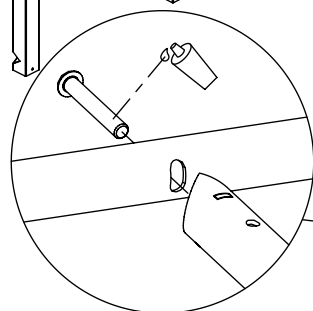
1x **23e044**



2x **23e008**



2x **23e004**

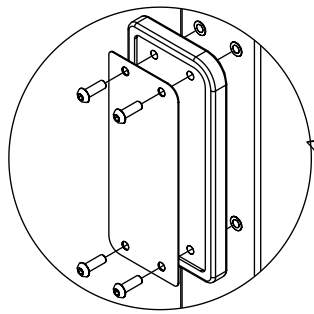


1x **23e042**



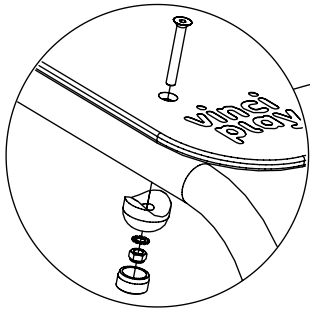
[cm]

vinci
play

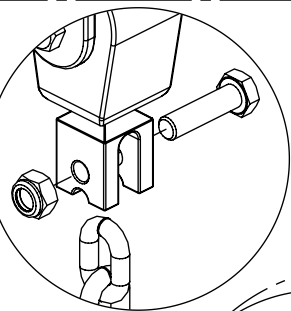
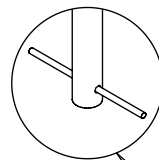


3x 23e003

236108

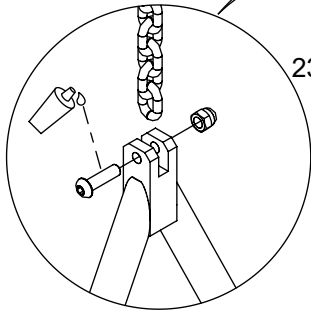


1x 23e040

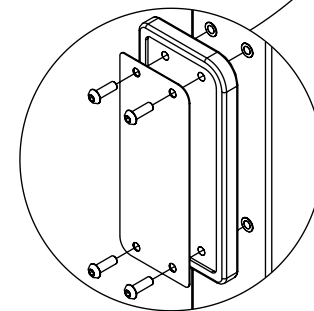


236113

996338
2x



1x 23e043

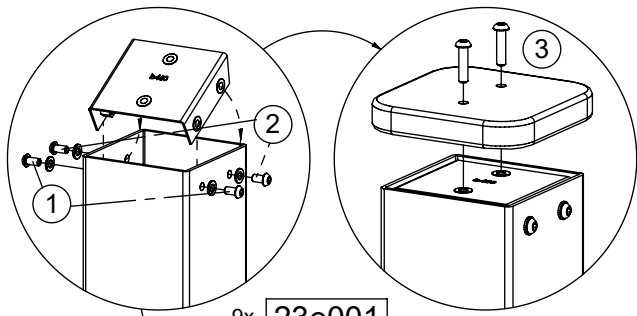


3x 23e003

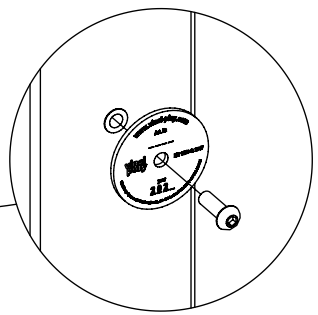
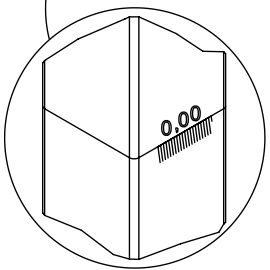
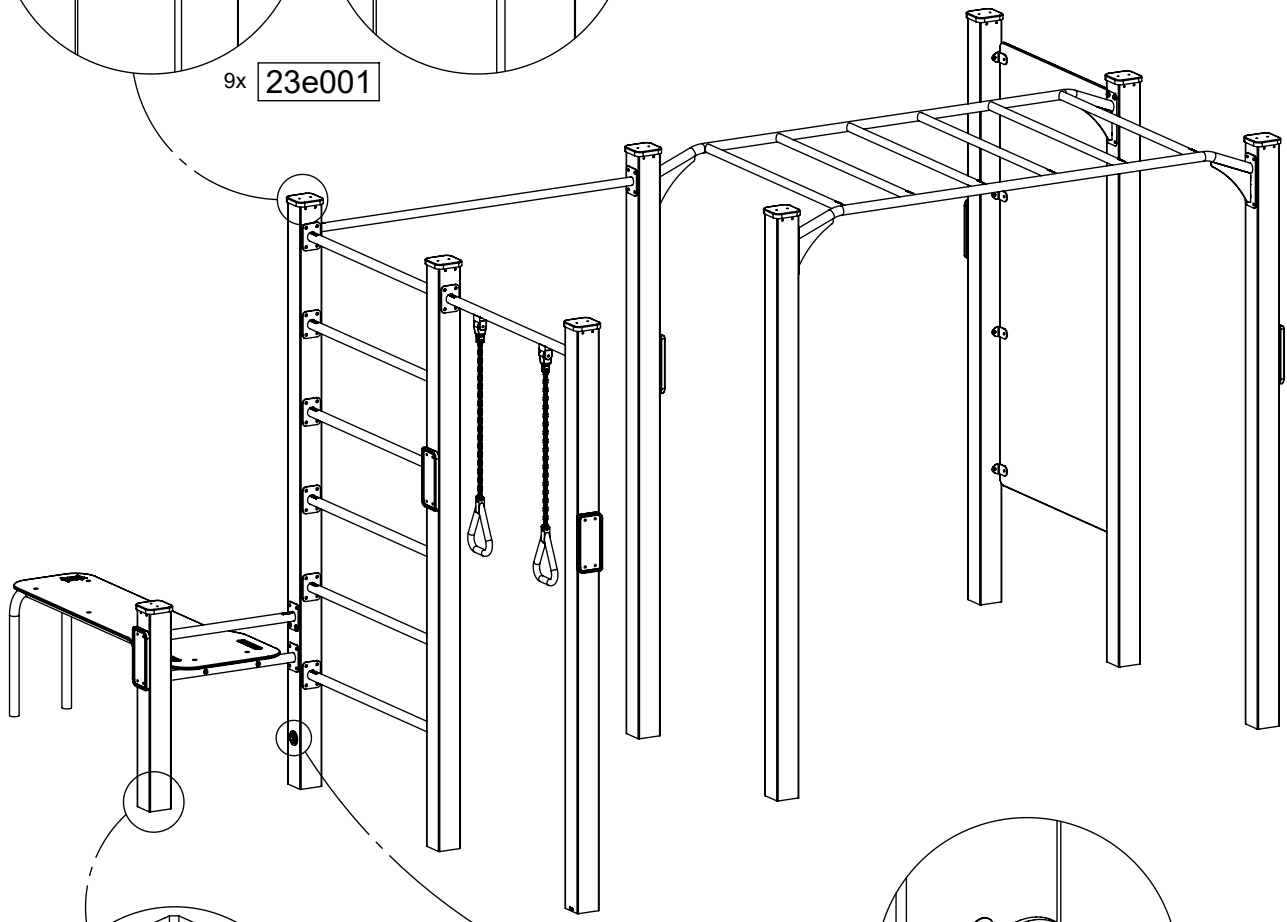
[cm]



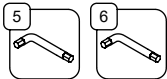
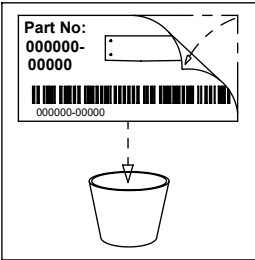
vinci
play



9x 23e001



1x V003



[cm]

vinci
play