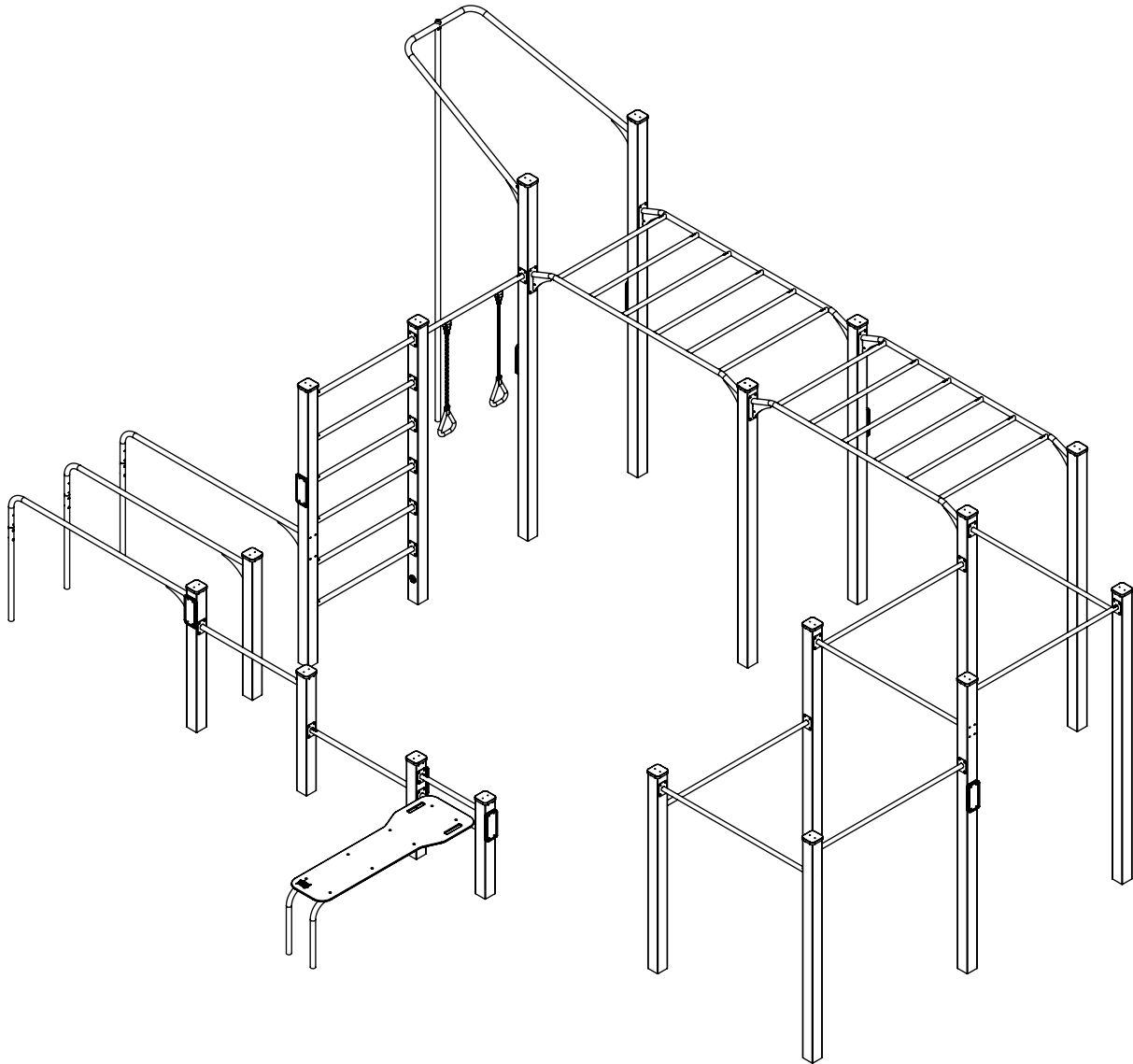
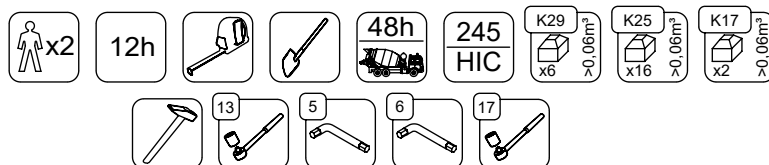


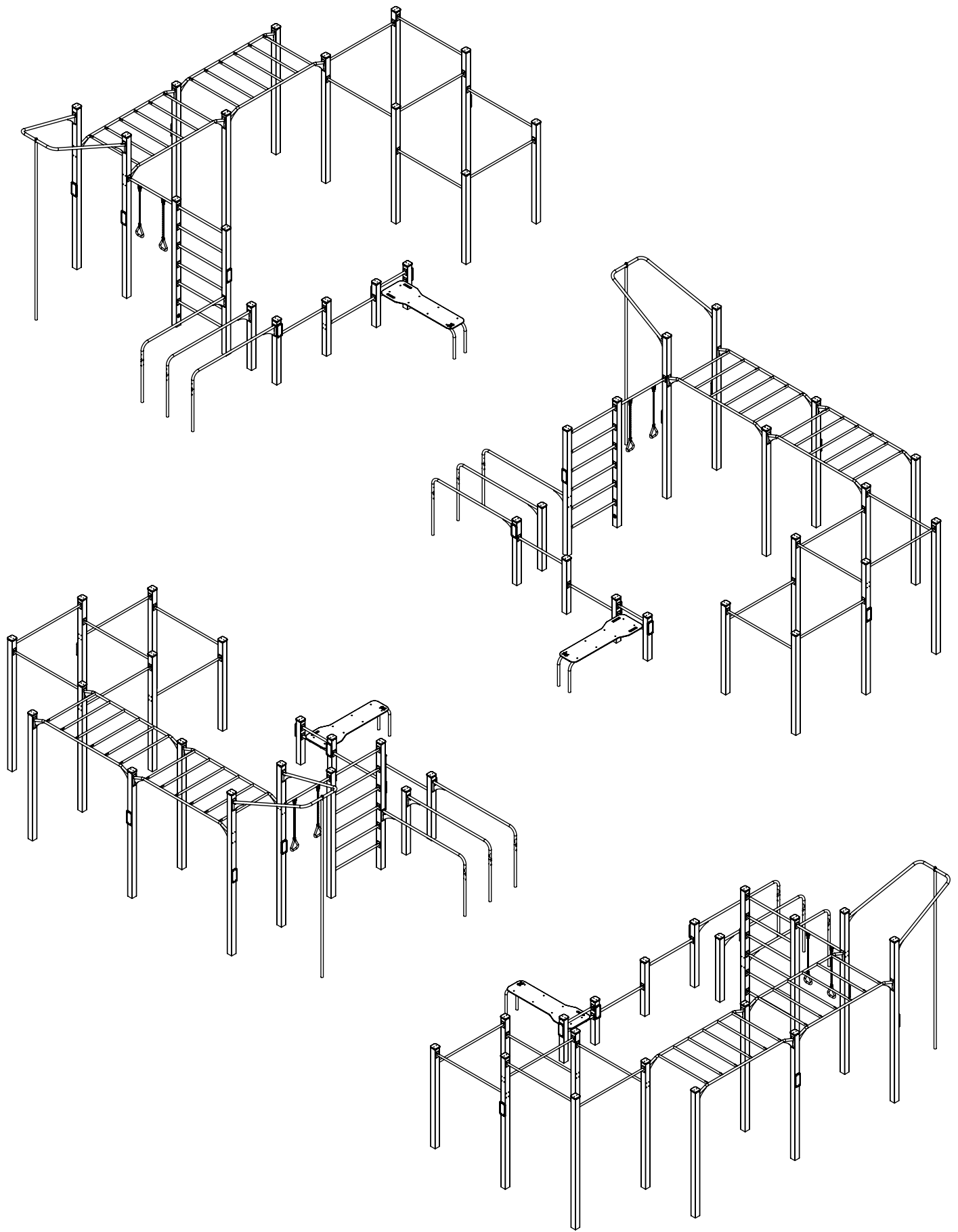
2328



v012
25.11.2022
I.A.
[cm]

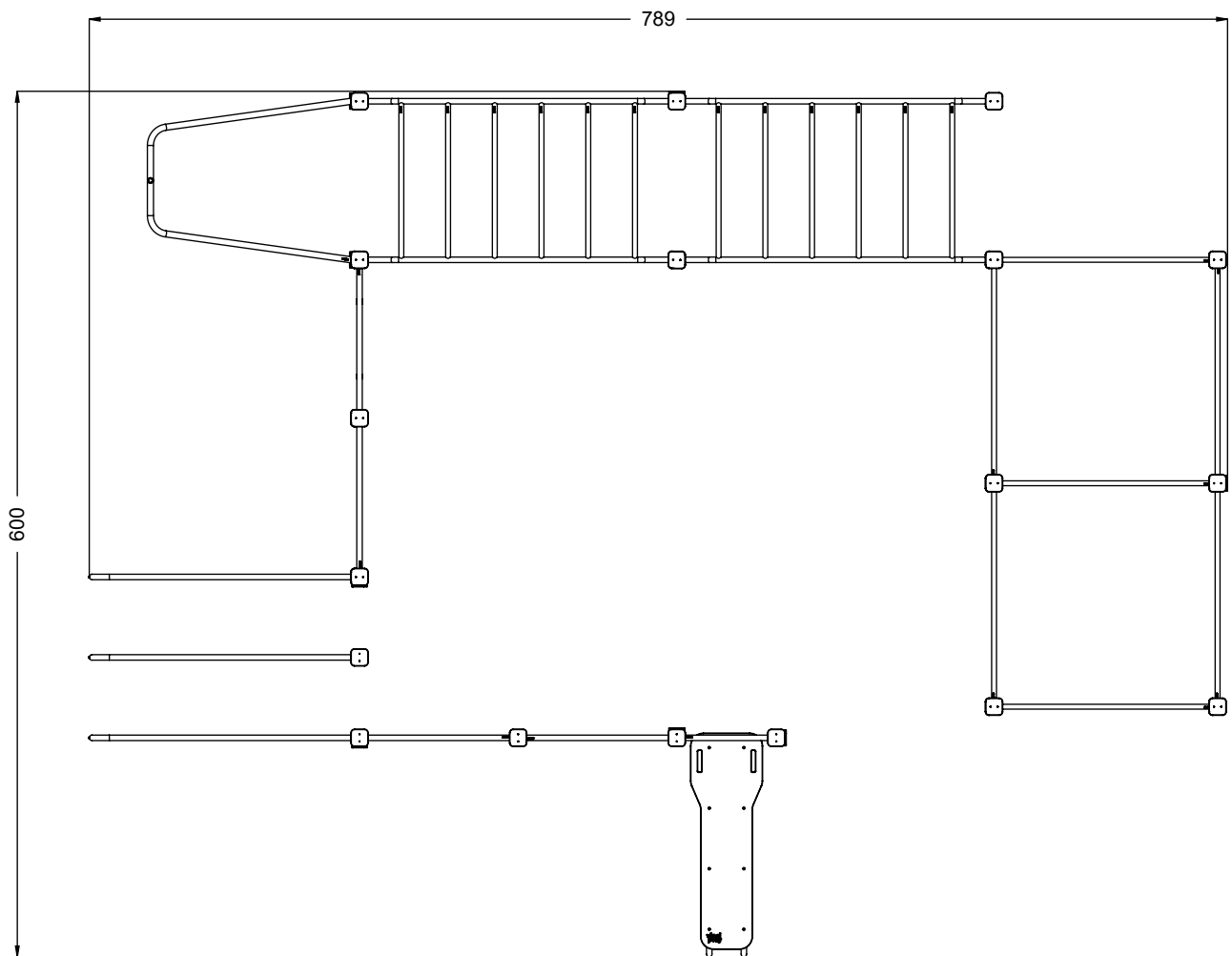
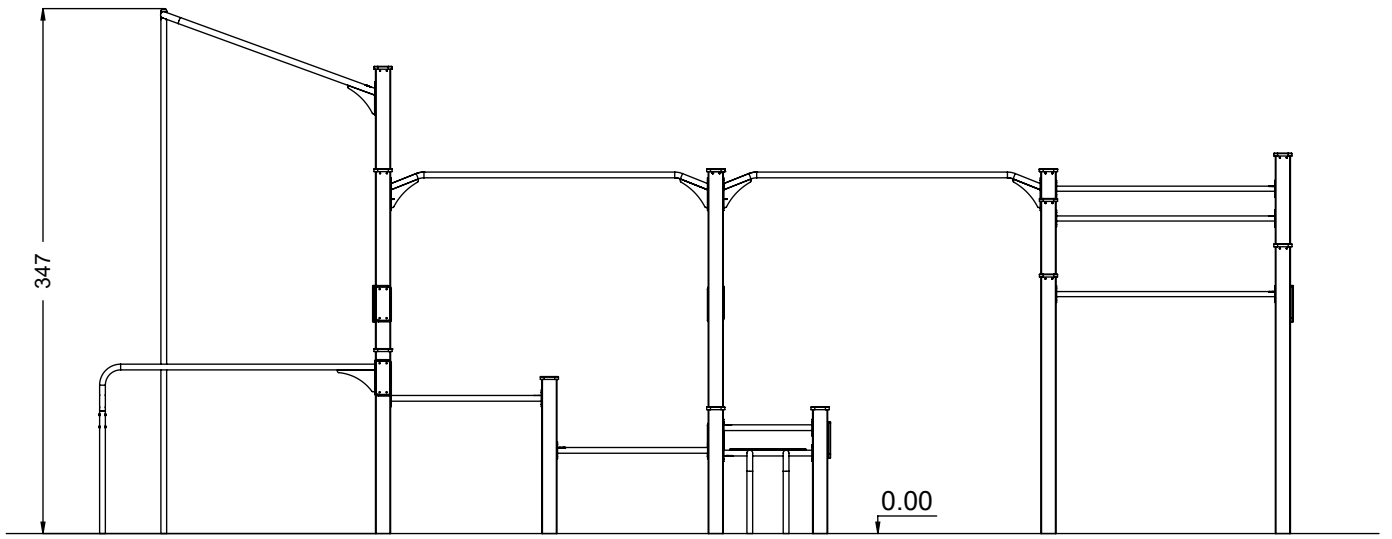


vinci
play



[cm]

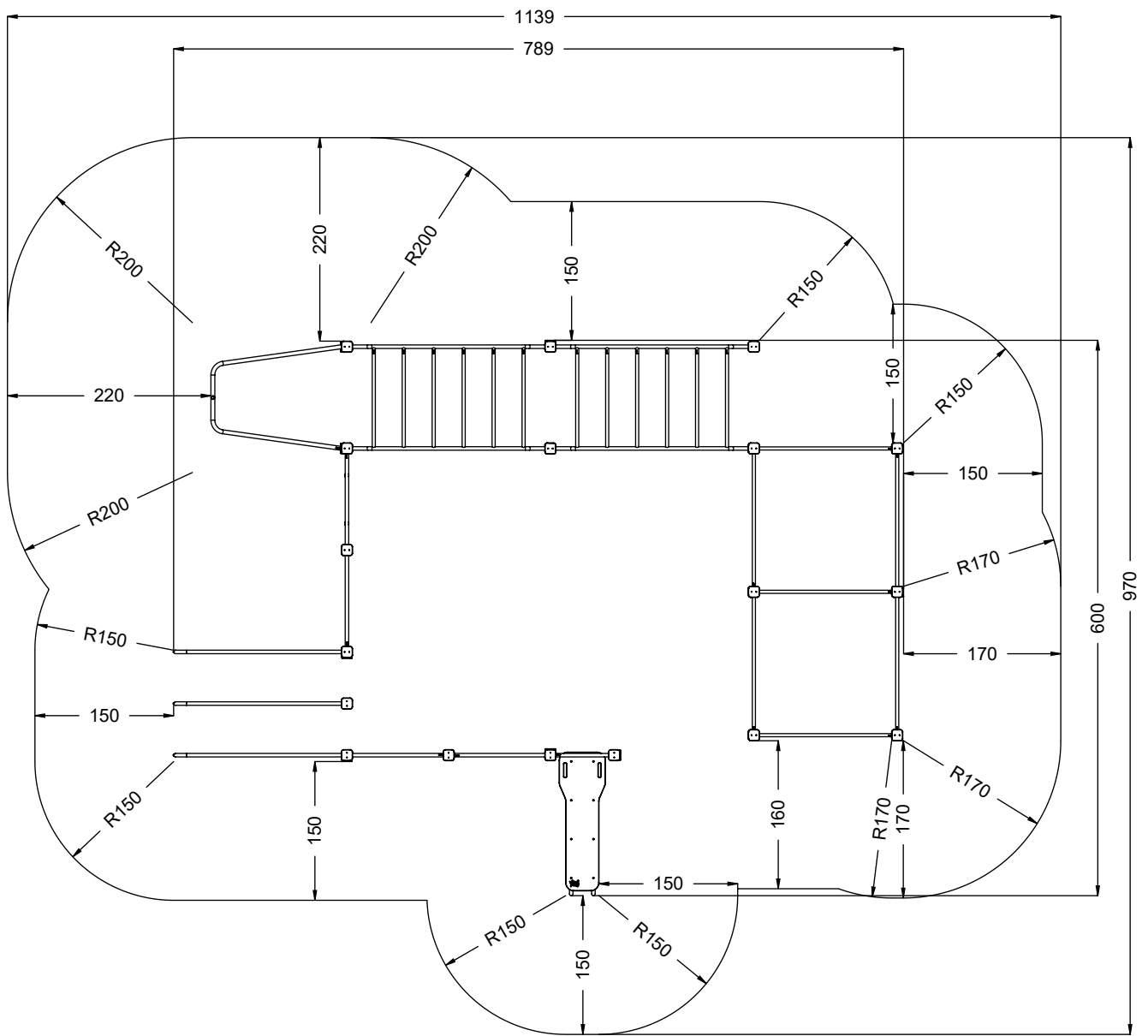
vinci
play



[cm]



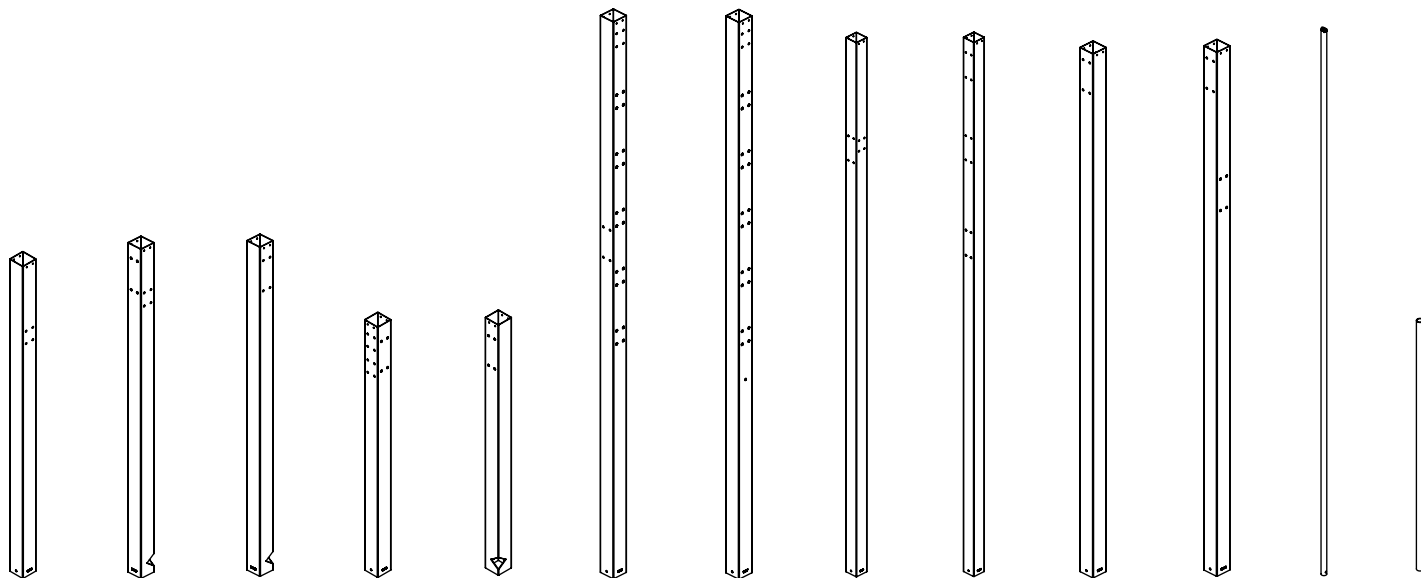
vinci
play



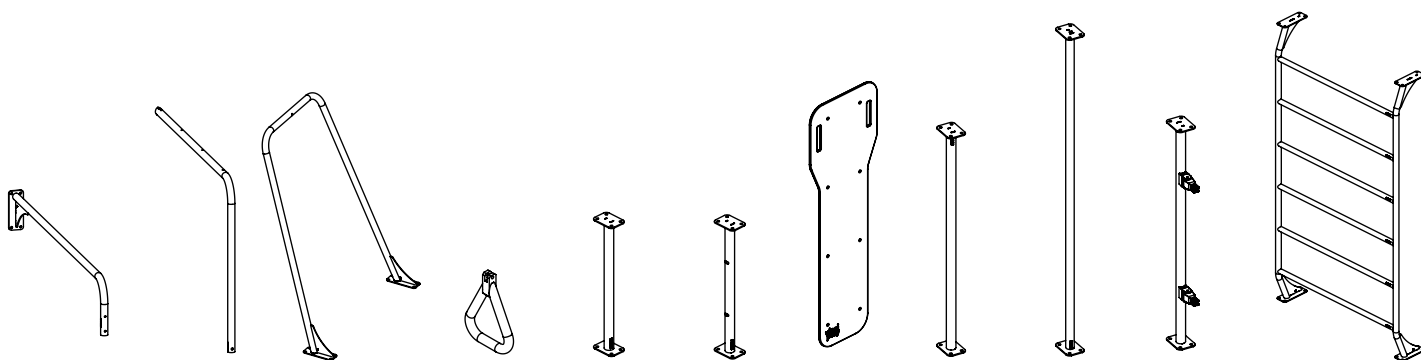
[cm]



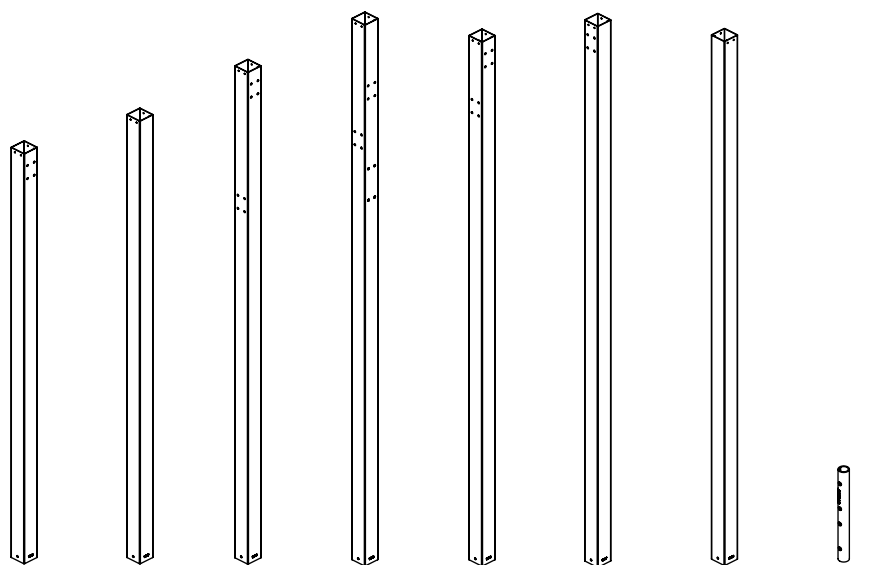
vinci
play



237155 x1 237169 x1 237103 x1 237153 x1 237108 x1 237156 x1 237157 x1 237166 x1 237167 x1 237168 x1 237144 x1 232110 x1 233120 x3



232102 x3 232103 x2 232109 x1 996338 x2 232104 x1 232105 x1 231100 x1 232100 x8 232106 x7 232108 x1 237120 x2

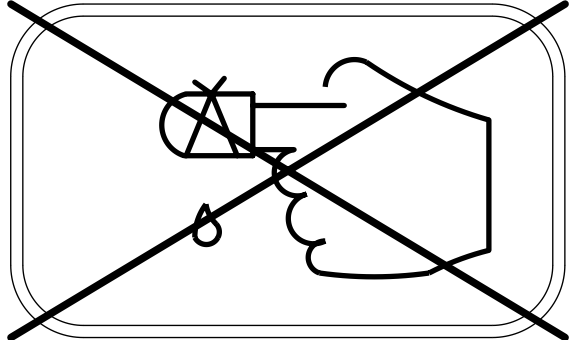
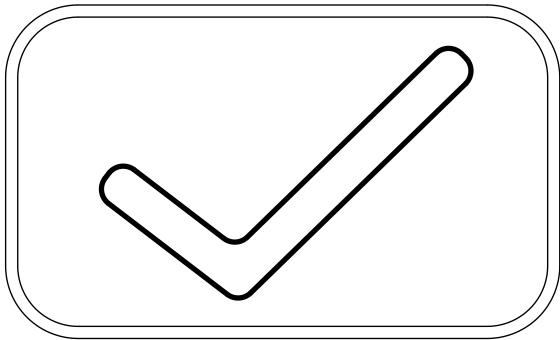
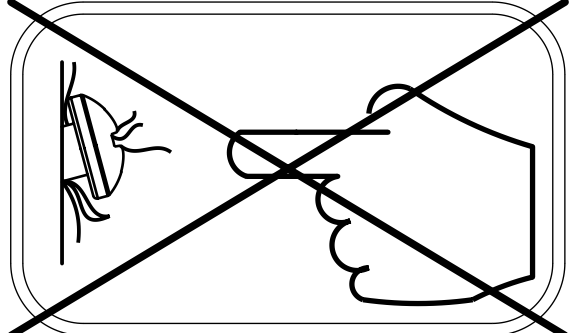
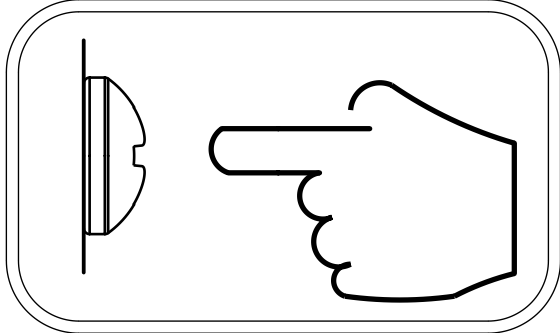
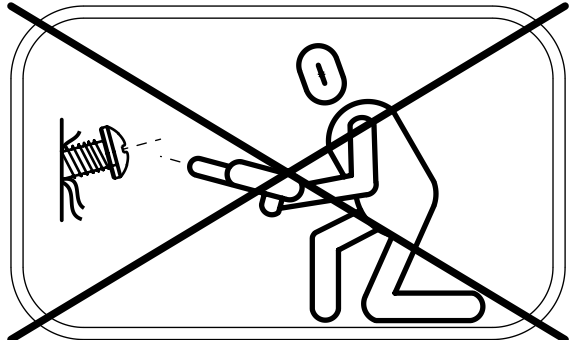
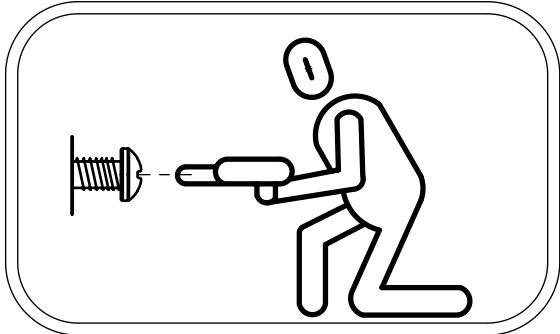


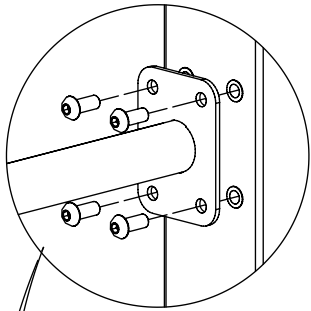
237146 x1 237149 x1 237145 x1 237148 x1 237143 x1 237147 x1 237120 x1 233118 x3

ST/INOX	
18x	23e001
30x	23e004
10x	23e008
9x	23e005
1x	23e040
1x	23e042
1x	23e043
1x	23e039
8x	23e003
1x	236103
1x	236104
1x	236106
1x	236107
1x	236109
1x	236111
1x	236113
1x	236114
18x	996405
24x	M8x16
1x	V003

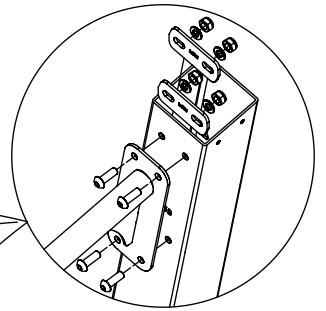
vinci play

[cm]

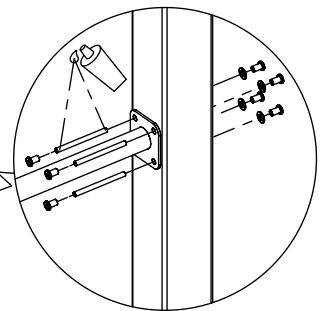
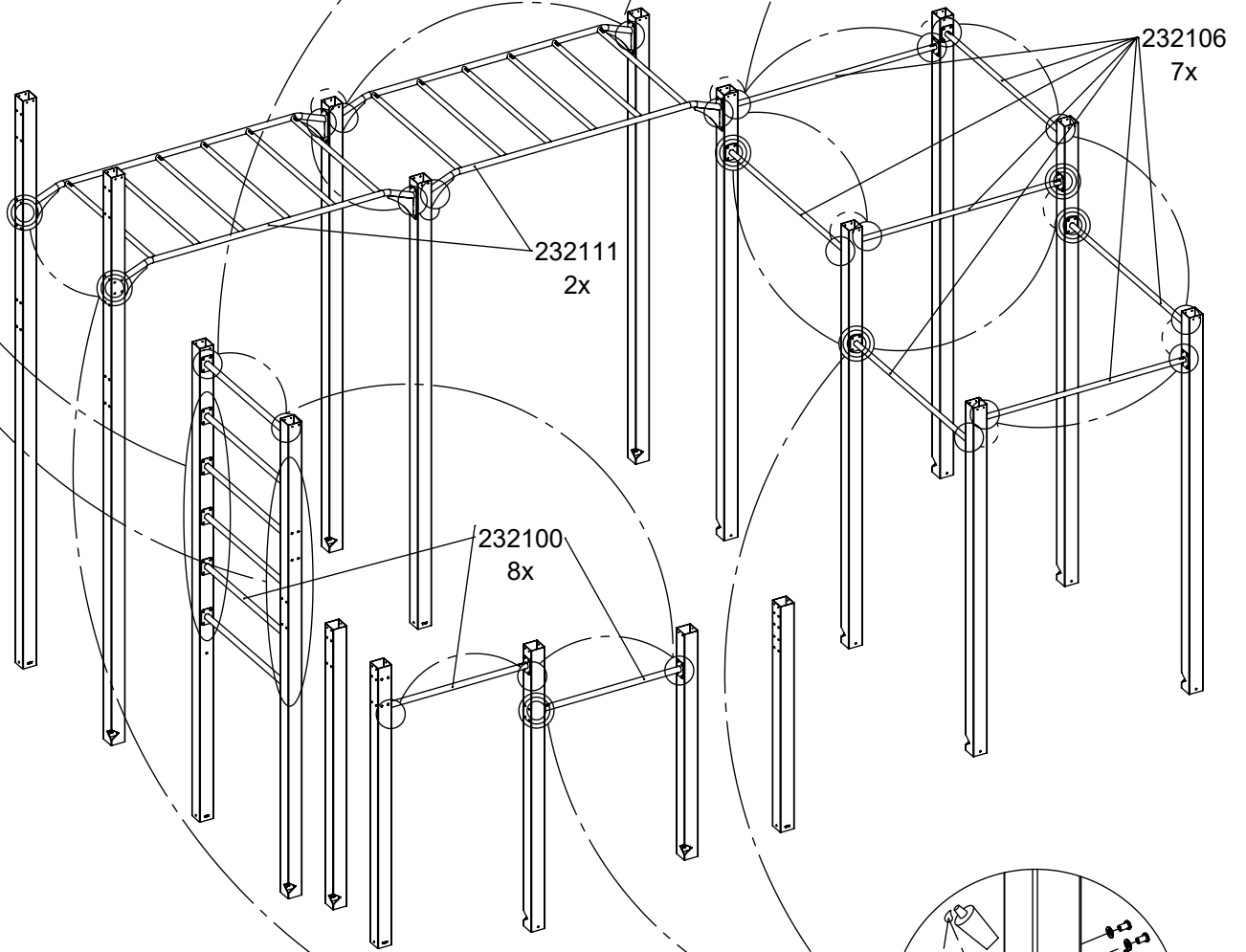




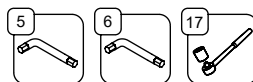
10x 23e008



21x 23e004

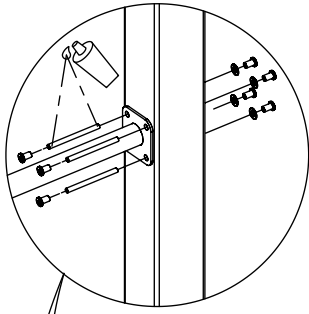


7x 23e005

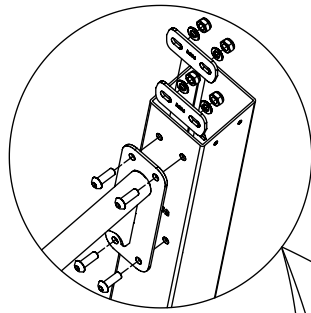


vinci
play

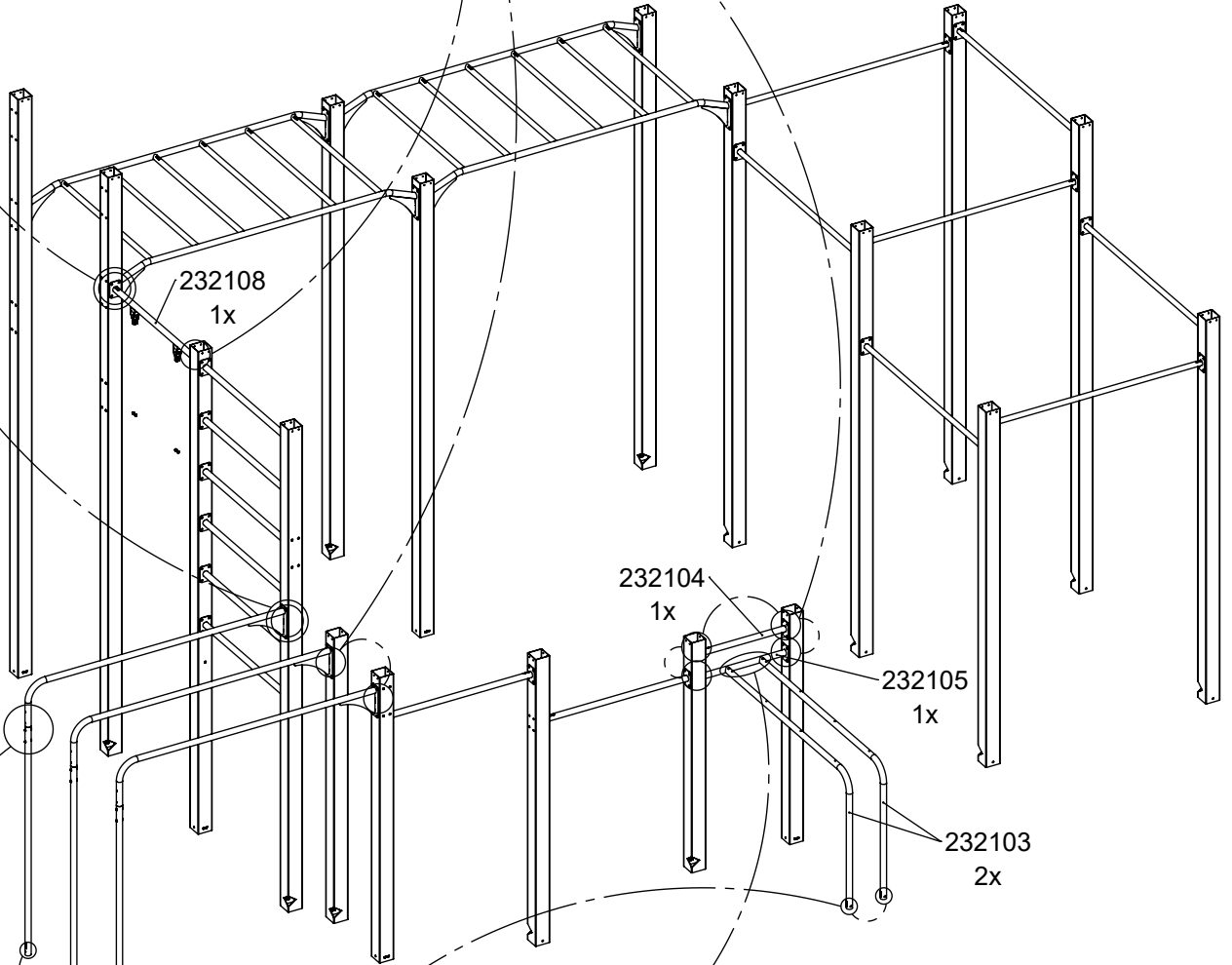
[cm]



2x 23e005



7x 23e004

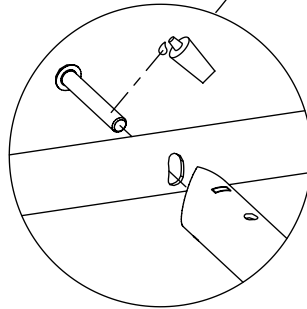
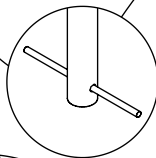
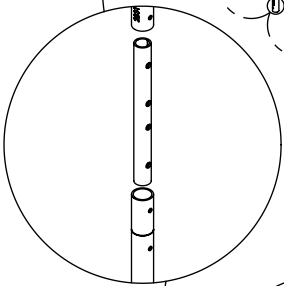


232108
1x

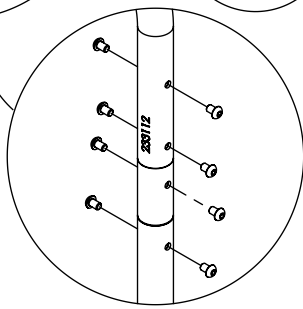
232104
1x

232105
1x

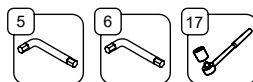
232103
2x



1x 23e042

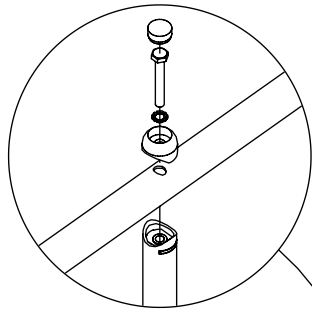


24x M8x16

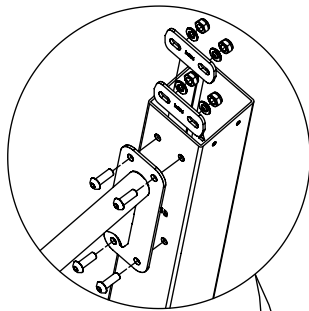


[cm]

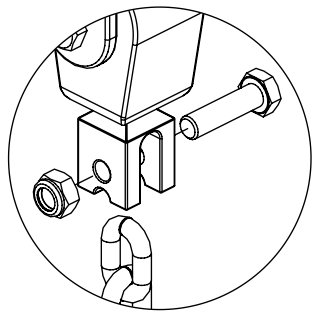
vinci
play



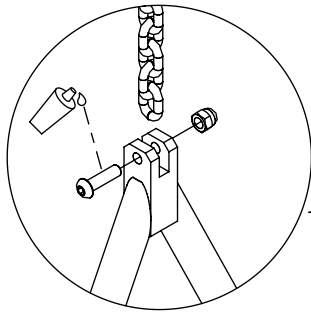
1x 23e039



2x 23e004

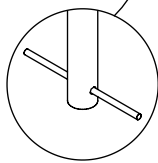


232109
1x



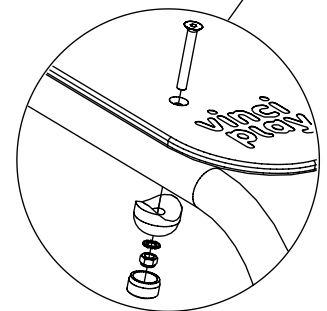
232110
1x

1x 23e043



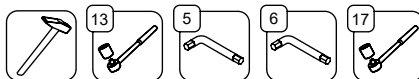
996338
2x

231100

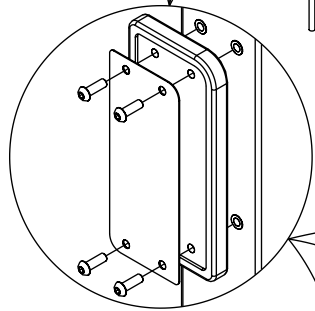
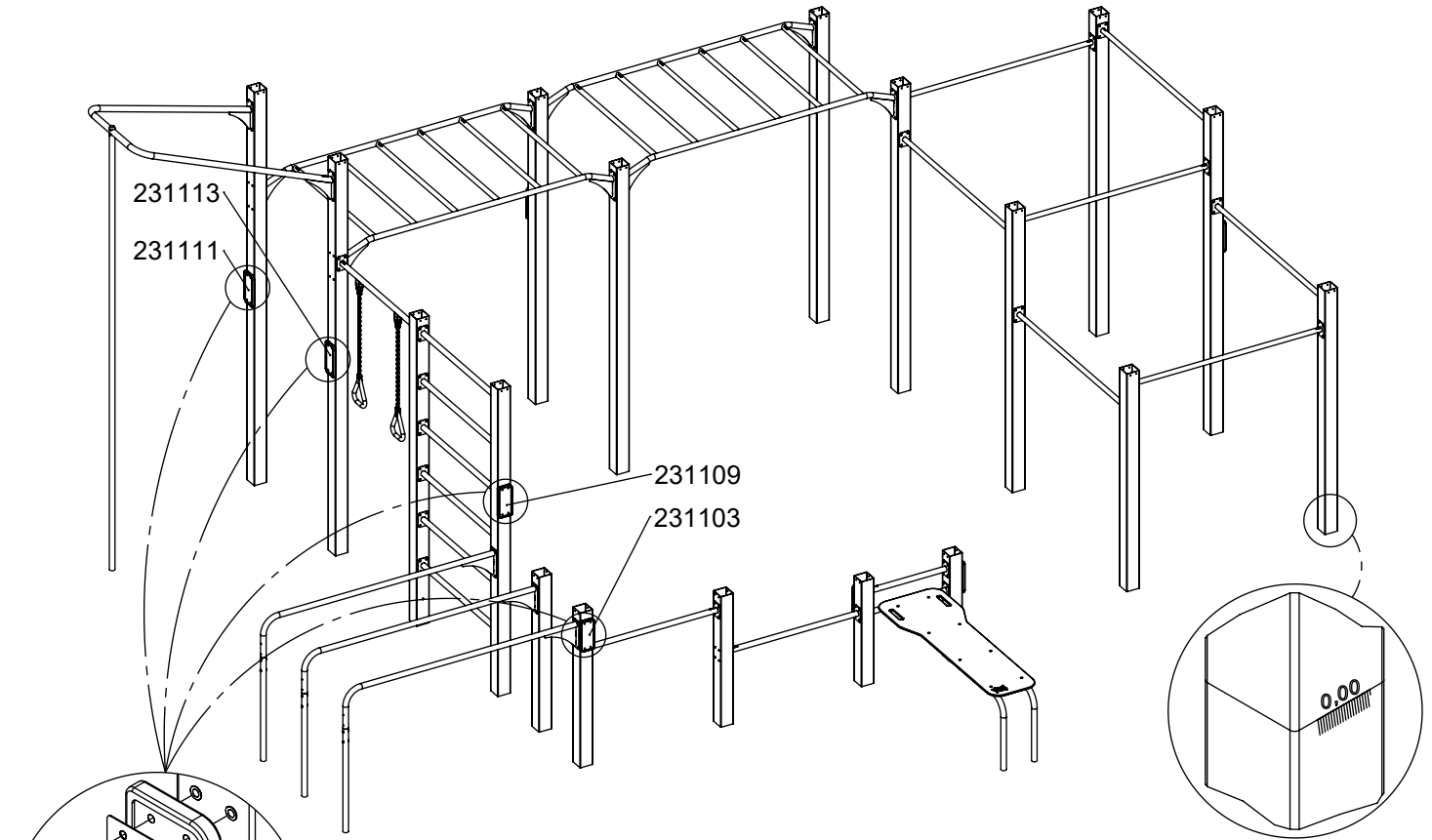


1x 23e040

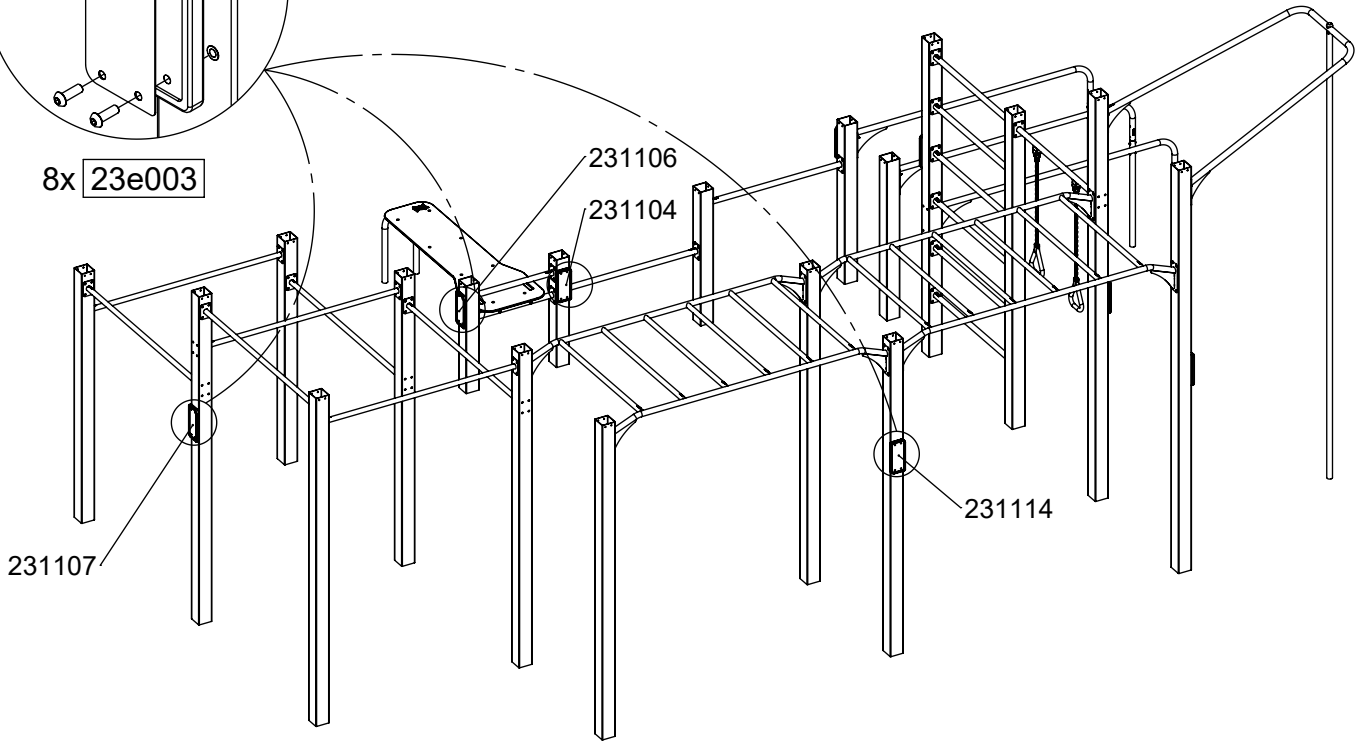
[cm]



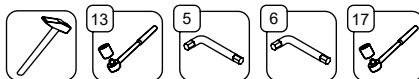
vinci
play



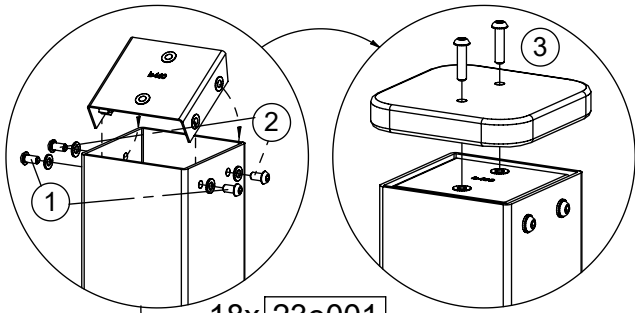
8x 23e003



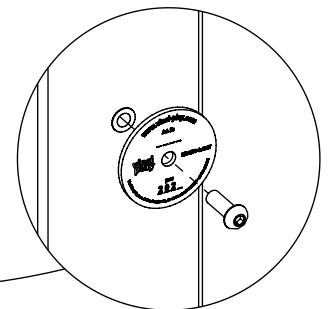
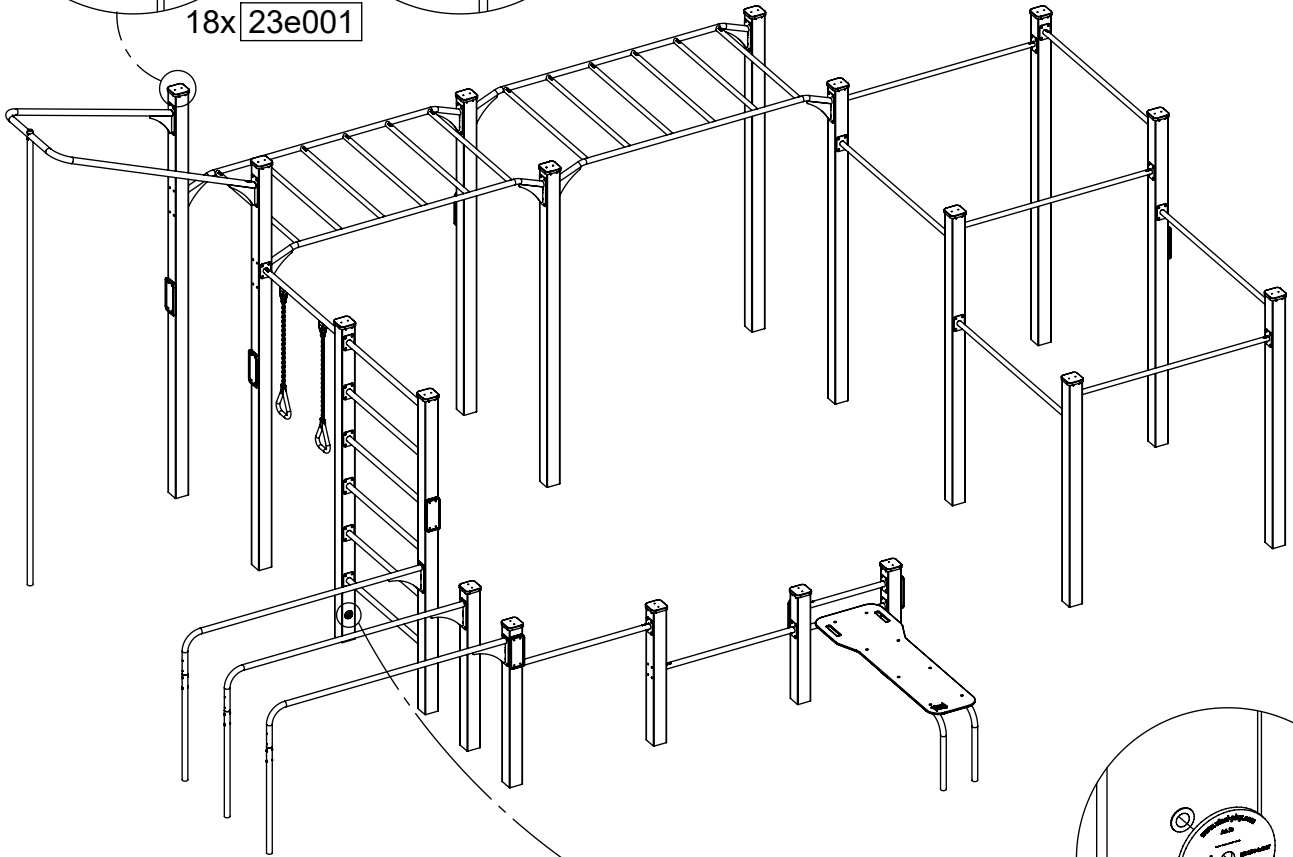
[cm]



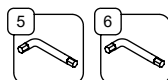
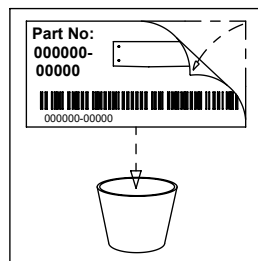
vinci
play



18x 23e001



1x V003



[cm]

vinci
play