

# Lekolar®

32150 | Skottkärra

## Assembly instruction WB0401



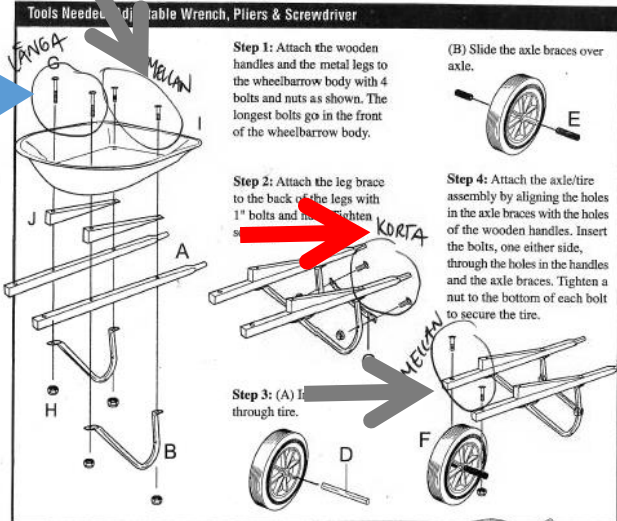
**WARNING:**

ADULT ASSEMBLY REQUIRED  
This product should, at all times, be used  
by the child under direct supervision of an  
adult who should not be asleep or under the  
influence of alcohol, drugs, or food.

**WARNING:**

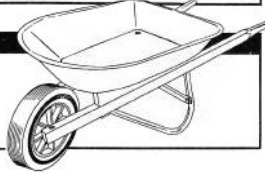
Load capacity: 10kg  
contains small parts prior to  
assembly

Tools Needed: Adjustable Wrench, Pliers & Screwdriver



Parts list

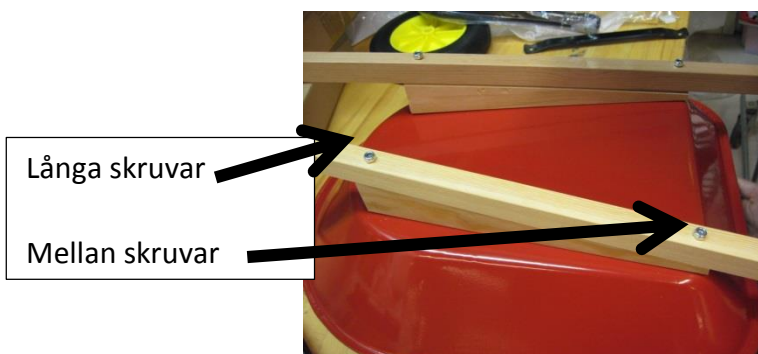
|   |                |       |   |                |      |
|---|----------------|-------|---|----------------|------|
| A | Wooden Handles | 2 pcs | F | Wheel          | 1pc  |
| B | Legs           | 2pcs  | G | Bolt           | 8pcs |
| C | Leg Brace      | 1pc   | H | Nut            | 8pcs |
| D | Axle           | 1pc   | I | Tray           | 1pc  |
| E | Axle Braces    | 2pcs  | J | Wooden Support | 2pcs |

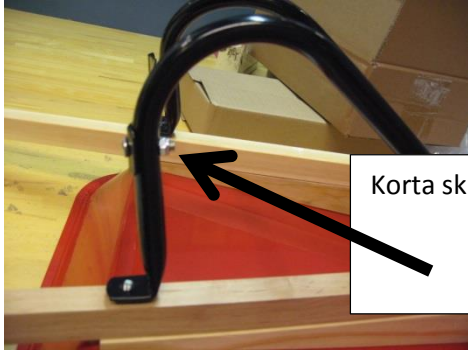


2 långa skruv →

4 mellan skruv →

2 korta skruv →





Korta skruvar



Mellan skruvar.