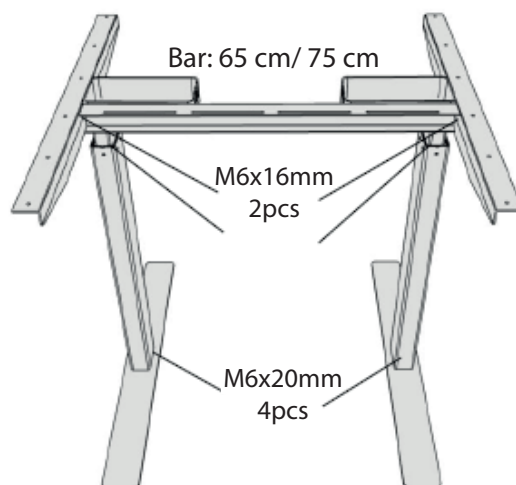
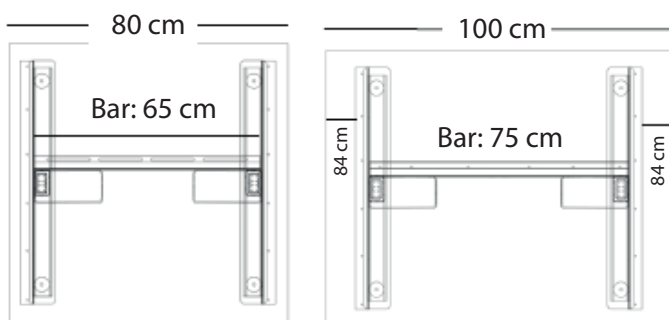
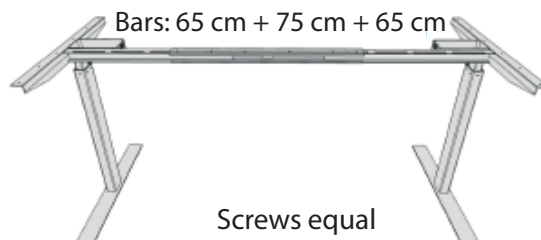
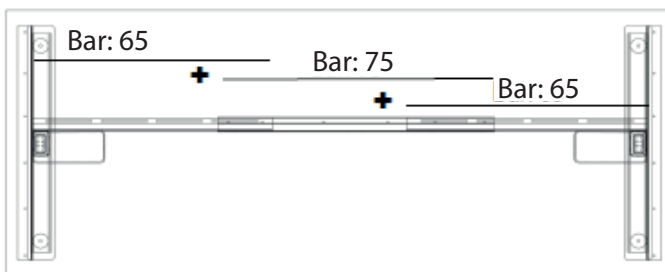
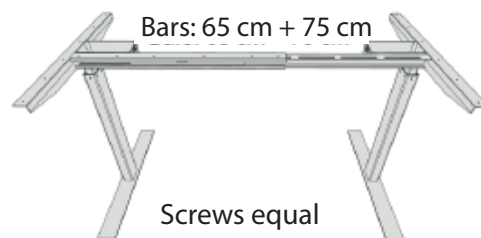
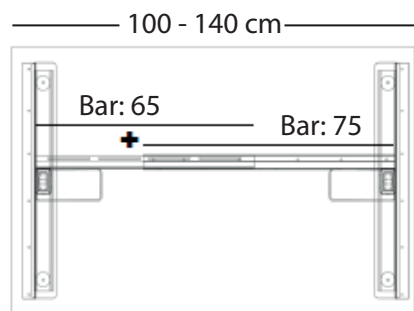


ASSEMBLING INSTRUCTION E-Motion 2-legs

E-Motion 2-legs for 80 and 100 cm tabletop



E-Motion 2-legs for 100 - 140 cm and longer than 140 cm tabletops



E-Motion 2-legs for angeled tabletops. 90+70 legs

