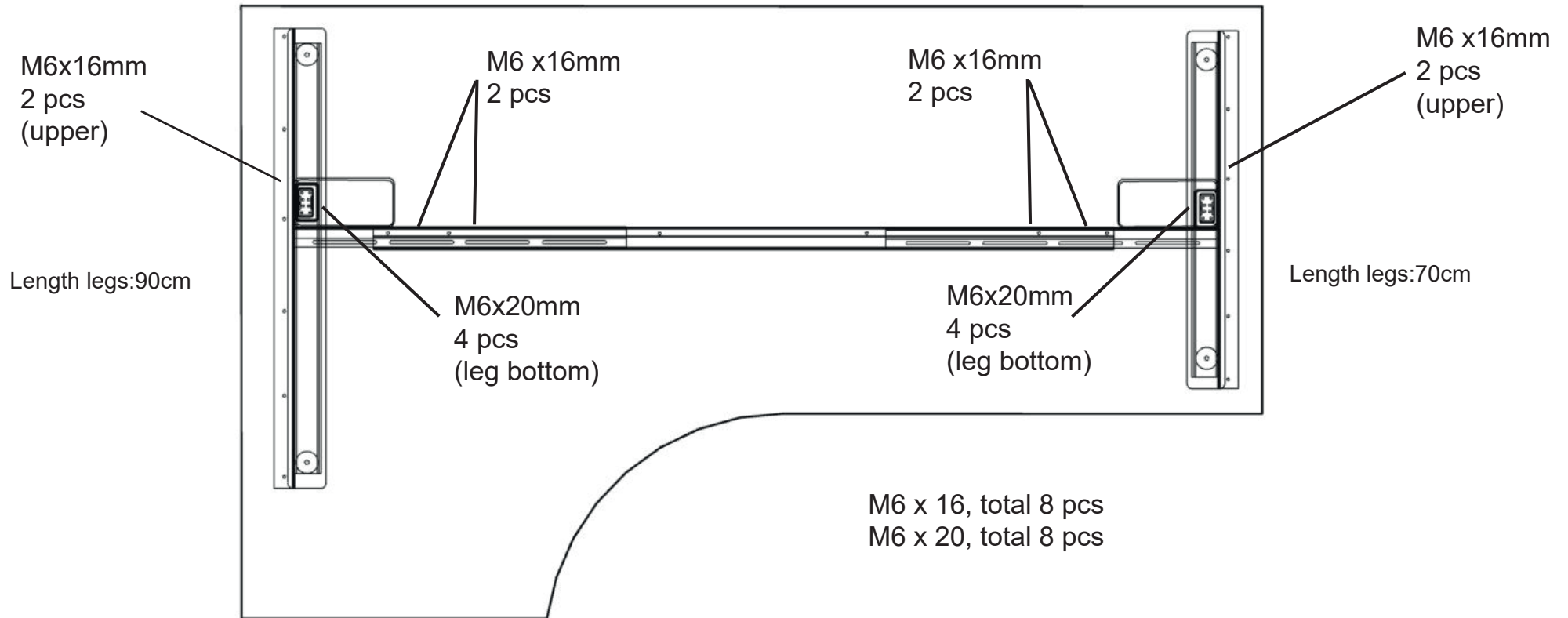


ASSEMBLING INSTRUCTION E-Motion 2-legs for angeled tabletops. 90+70 legs

Screw for wood, 5x20mm screws up from crossbar to the desktop



- Crossbar containing 3 parts
- 1 pcs. 2-meter cabel
- 1 pcs. adjusting panel (2 pcs 3,5x20 screws)
- 1 pcs adapter w/180 cm cable for 220 V 3 pcs cabel clips