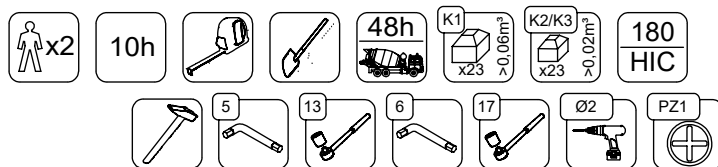
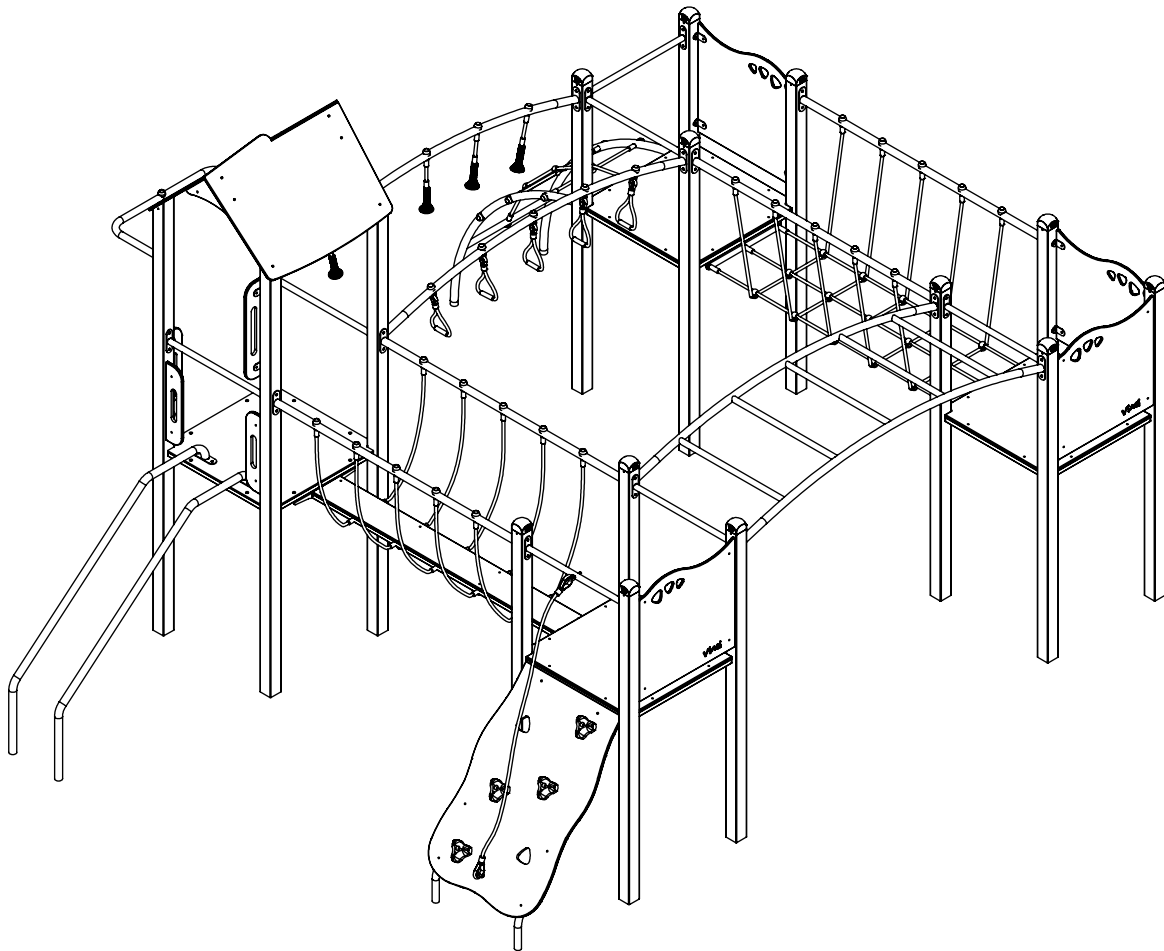
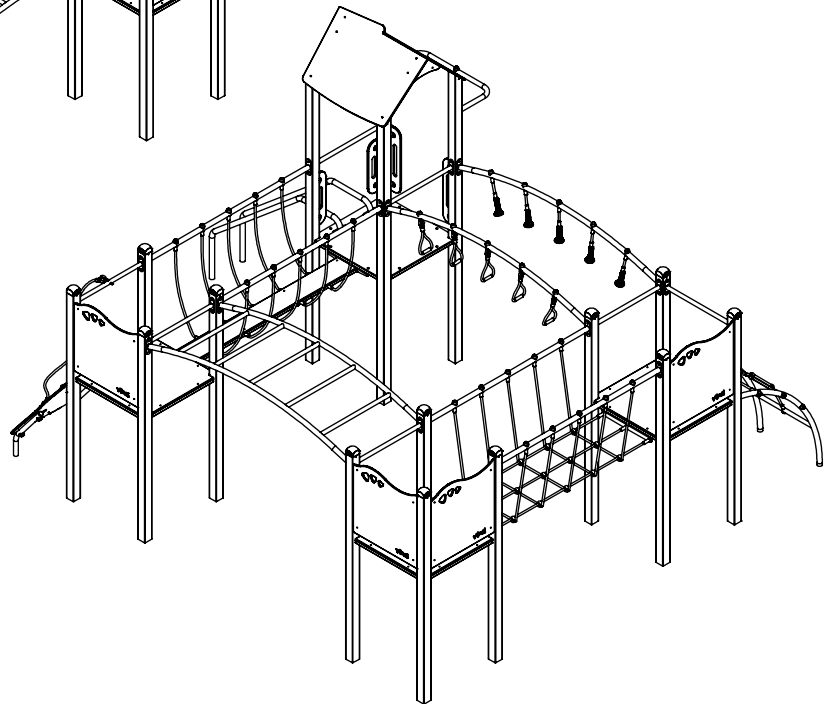
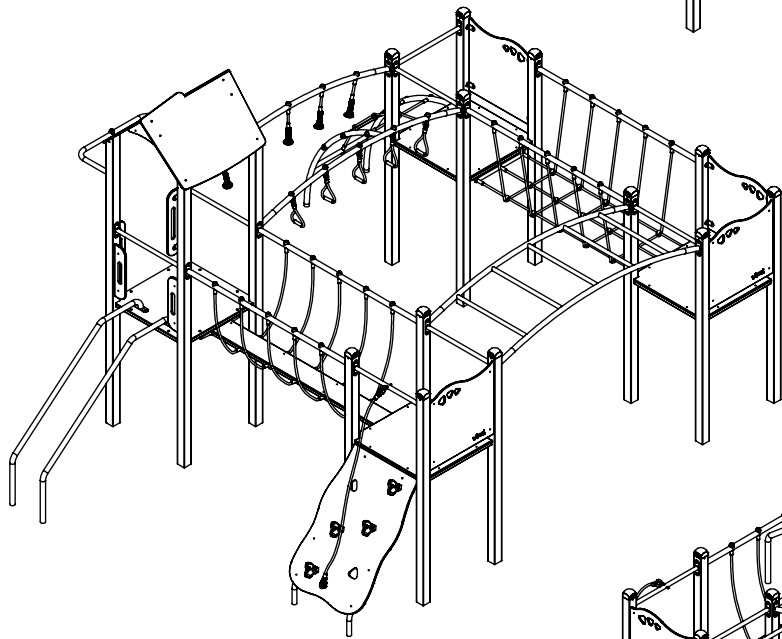
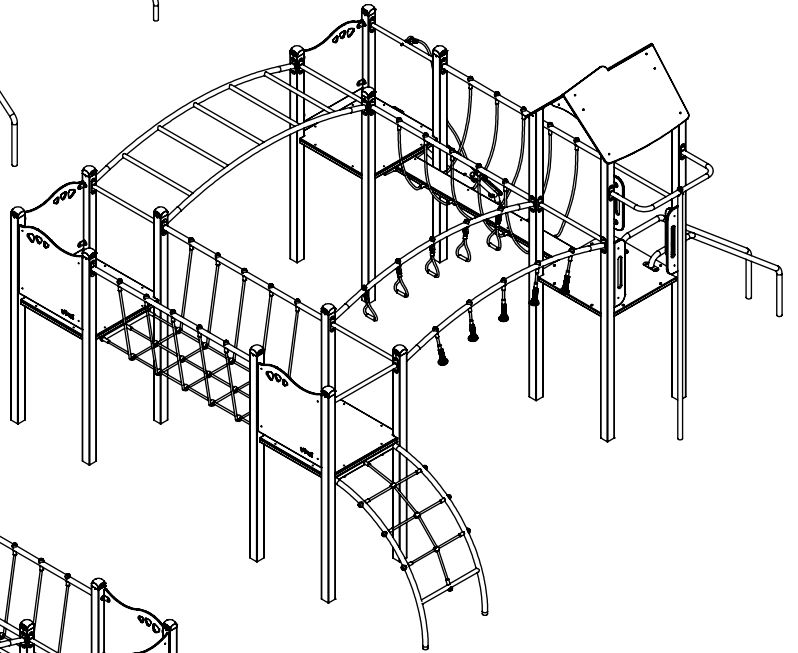
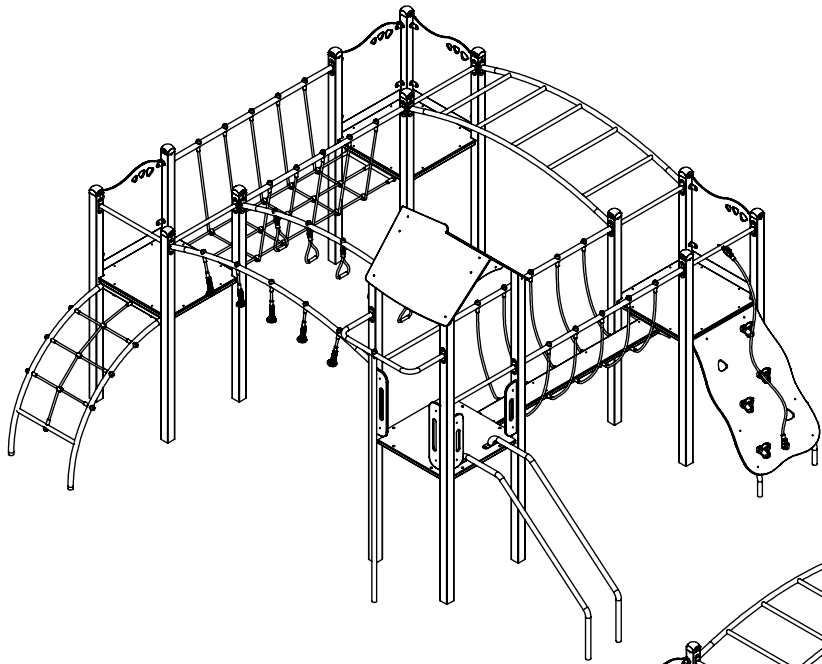


0206



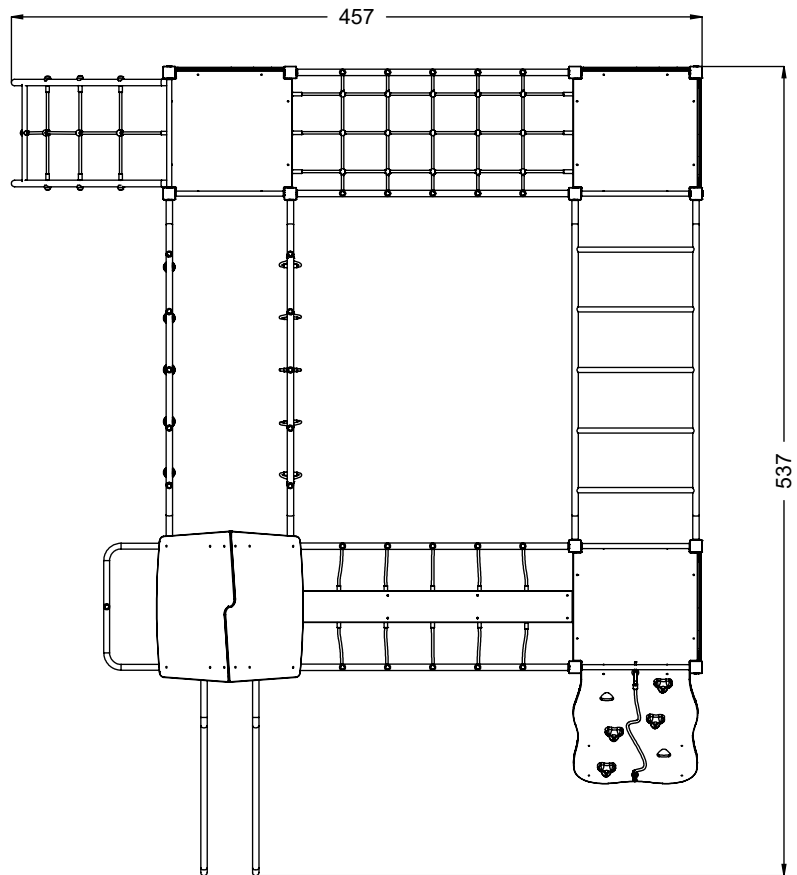
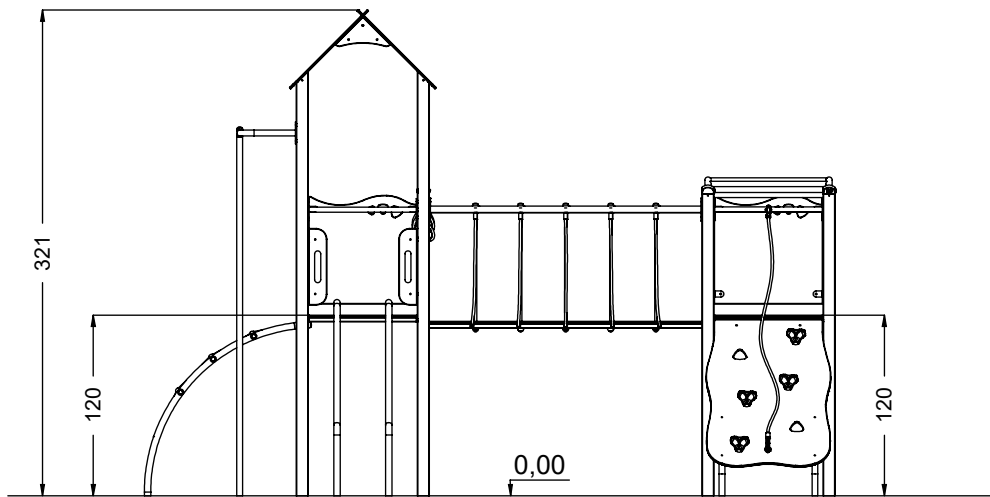
v013
17.05.2021
A. P.
[cm]

vinci
play



[cm]

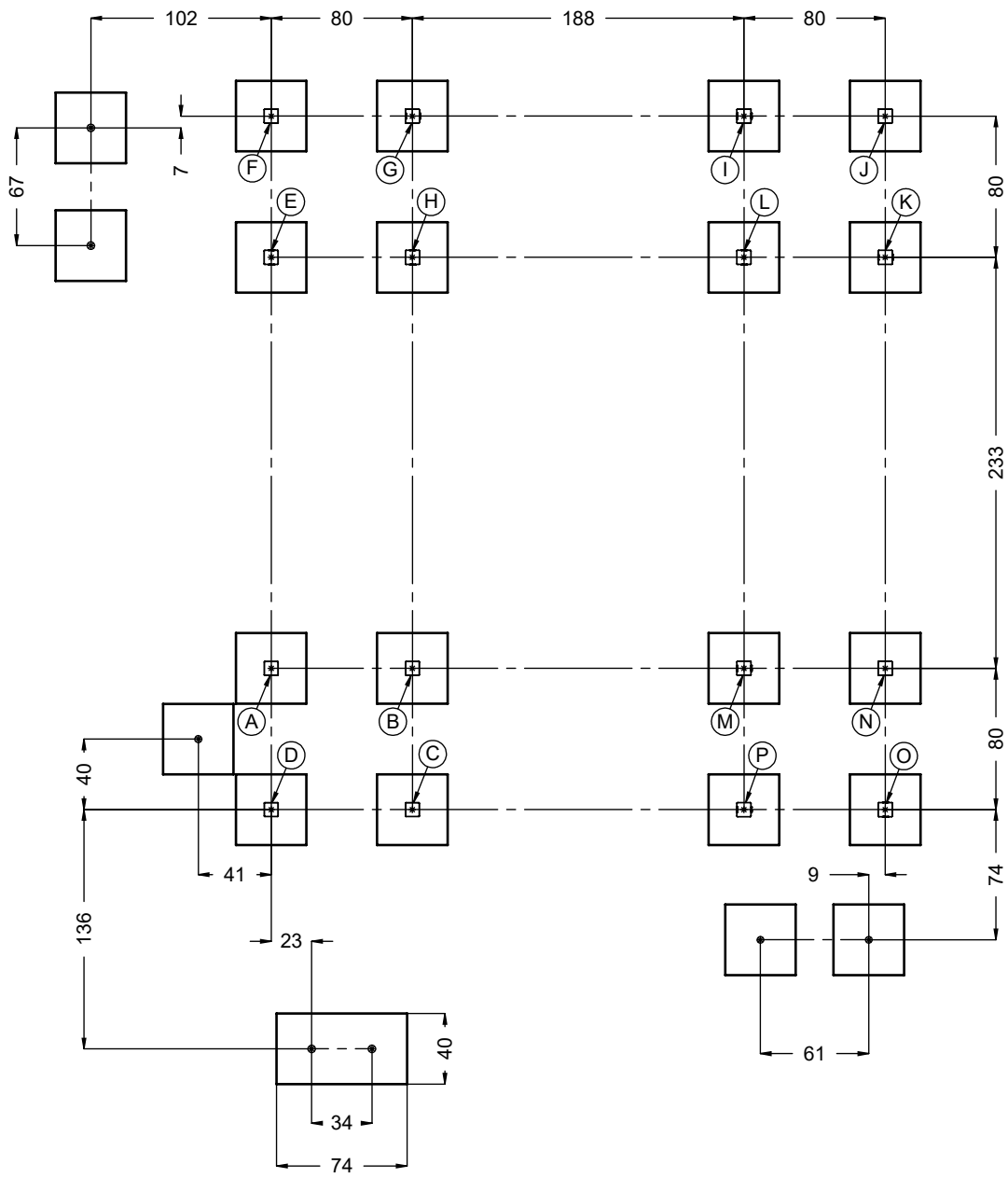
vinci
play



[cm]



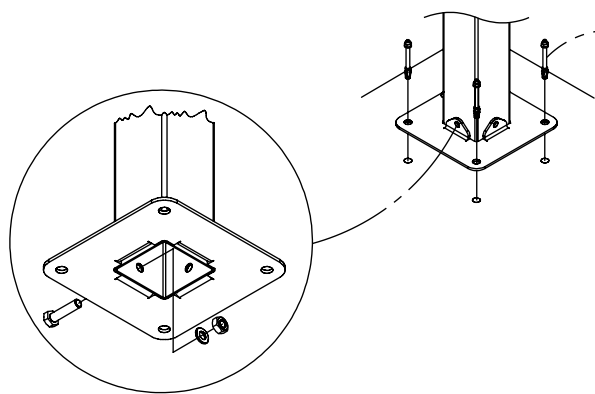
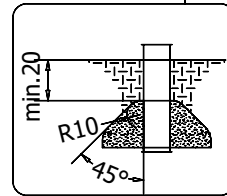
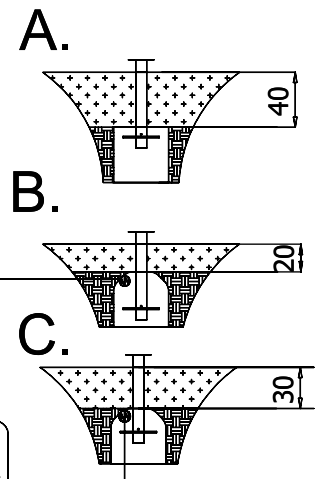
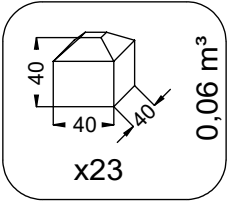
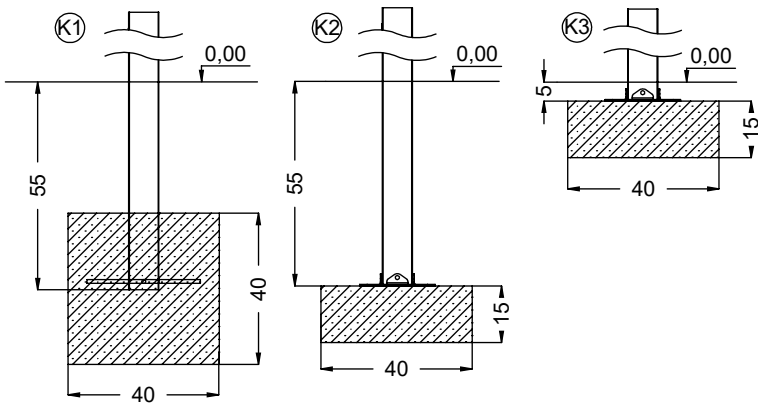
vinci
play





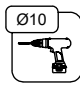



[cm]



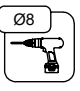
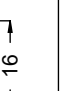

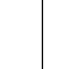
 x2
  10h
 
 
  48h
  K1 x23 >0.06m³
  K2/K3 x23 >0.02m³

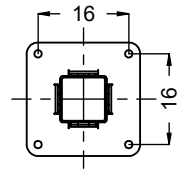
vinci
play



E37

64x M10x120 (K2)	8x M8x120 (K2)
64x M10x120 (K3)	12x M8x120 (K3)
	
	
NOT INCLUDED	NOT INCLUDED
	

8x M8x120 (K2)	12x M8x120 (K3)
	
	
NOT INCLUDED	NOT INCLUDED
	



[cm]

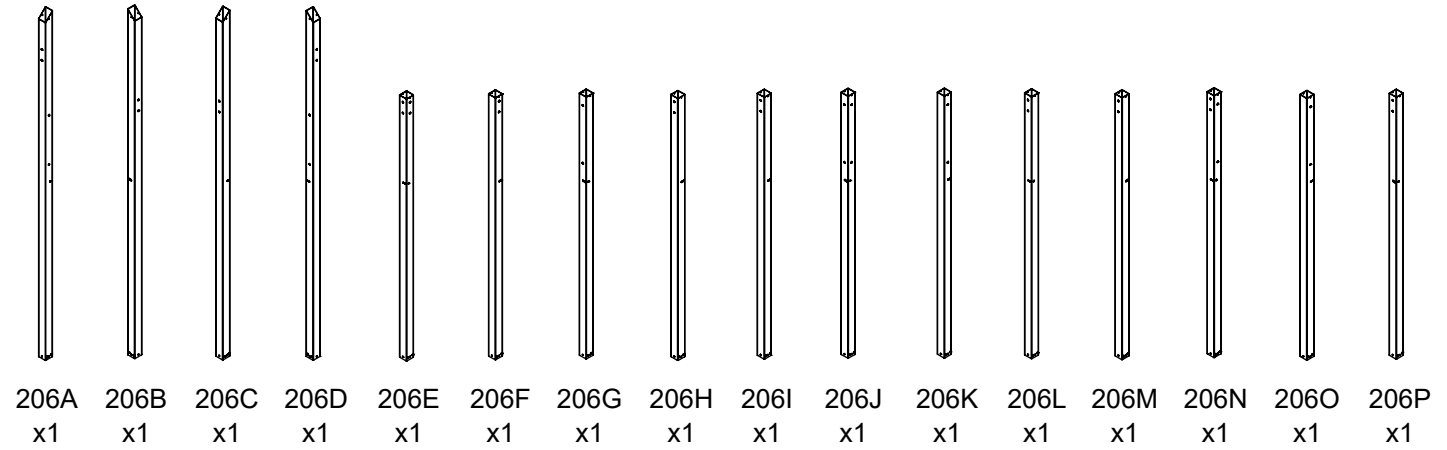




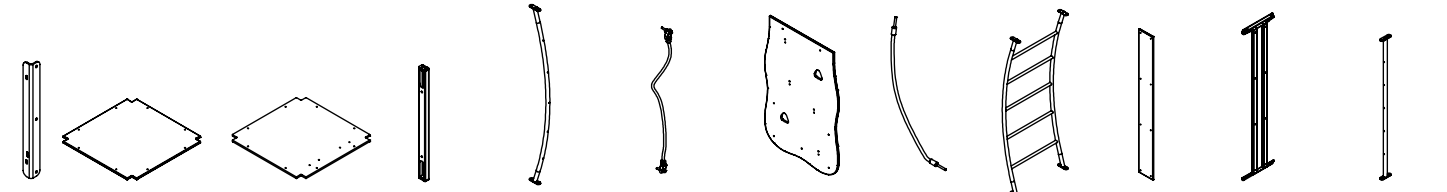




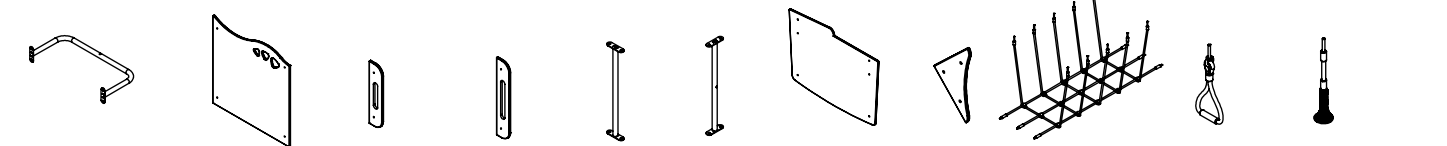
vinci play



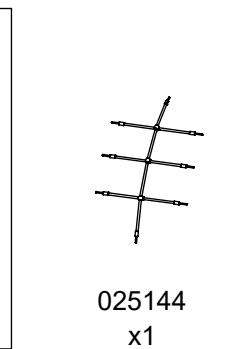
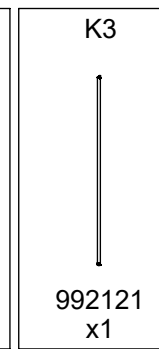
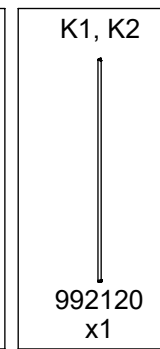
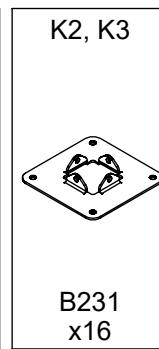
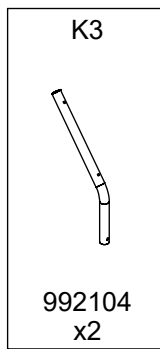
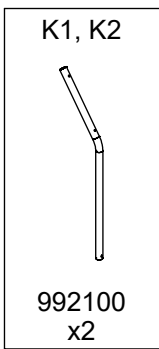
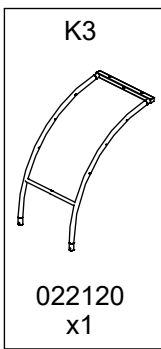
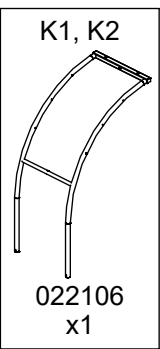
206A x1 206B x1 206C x1 206D x1 206E x1 206F x1 206G x1 206H x1 206I x1 206J x1 206K x1 206L x1 206M x1 206N x1 206O x1 206P x1



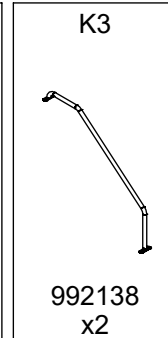
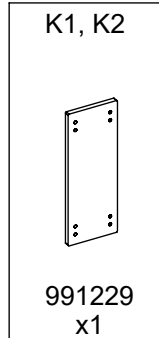
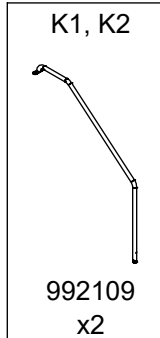
B144 x2 021101 x3 021103 x1 022100 x16 022111 x2 025146 x1 021135 x1 025100 x10 992103 x1 021136 x1 022134 x1 022135 x4



022150 x1 021100 x4 021110 x2 021129 x2 022102 x6 022103 x1 021133 x2 021134 x2 025109 x1 995132 x5 995131 x5

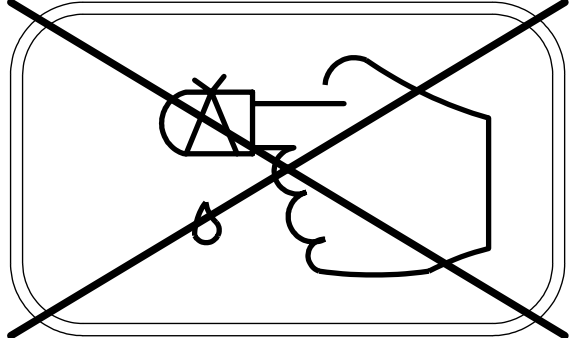
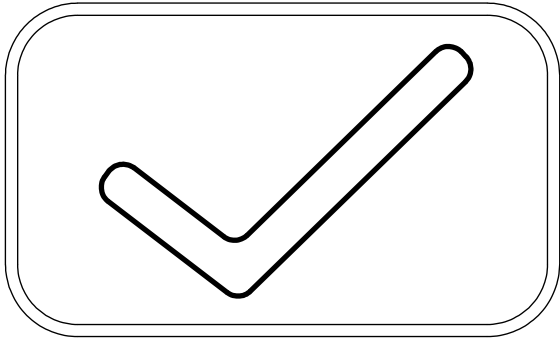
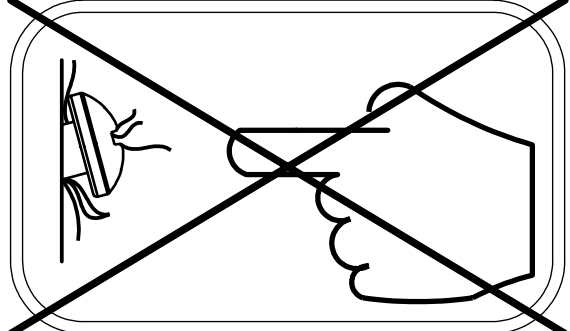
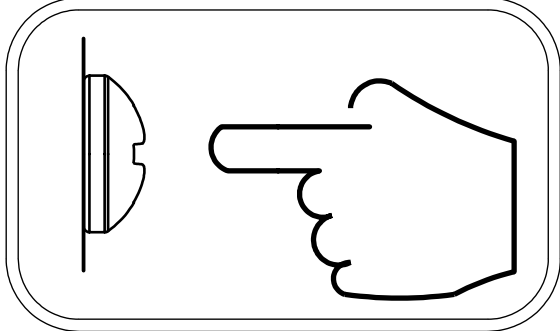
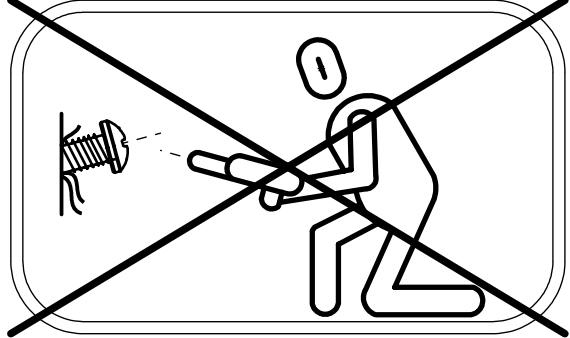
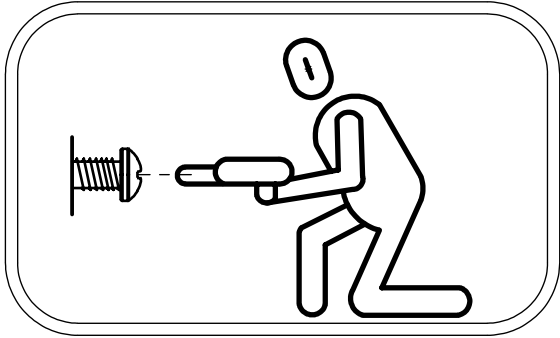


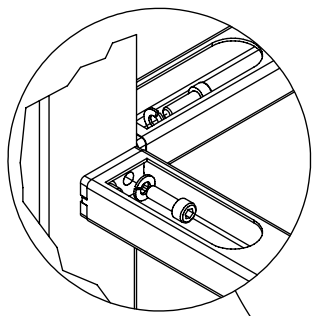
ST/INOX		PLYWOOD / HDPE		HPL	
1x	E44 (K1)	1x	PS21	1x	PH21
1x	E80 (K2)	2x	PS31	2x	PH31
2x	E88 (K2, K3)	1x	CE2	1x	CL2
1x	E38 (K2, K3)	1x	E4	1x	E5
	E37 (K2, K3)	4x	CE1	4x	CL1
1x	E51	2 x	CE4	2 x	CL4
1x	E78	1x	PS22	1x	PH22
2x	E28	2x	PS2	2x	PH2
16x	E1	2x	PS3	2x	PH3
4x	E3	1x	E6	1x	E7
1x	E39	1x	CE111	1x	CL111
1x	E239				
1x	V001				



[cm]

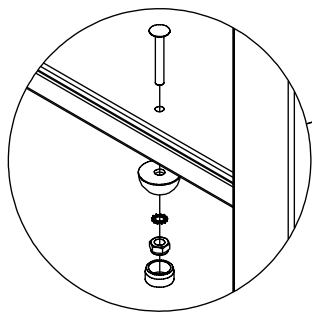
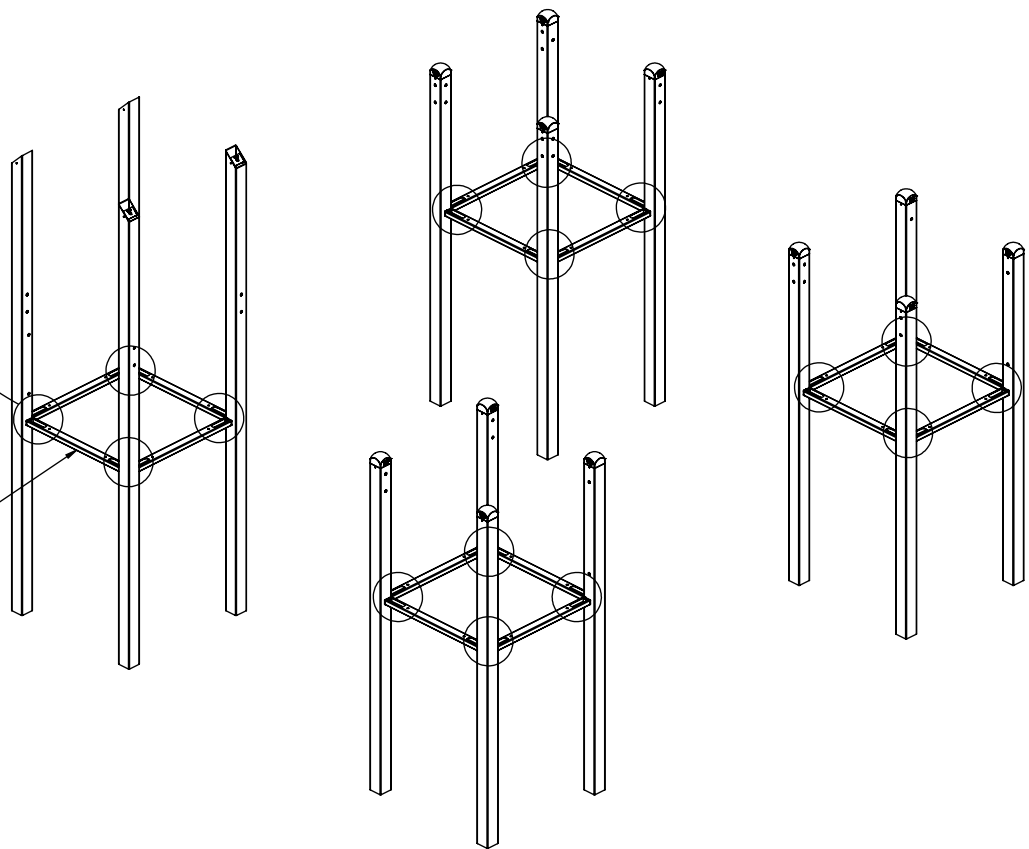






4x **E3**

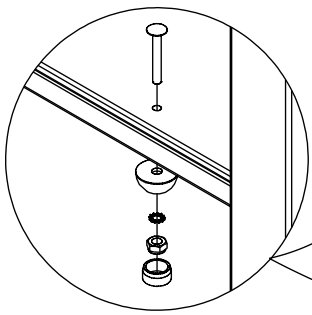
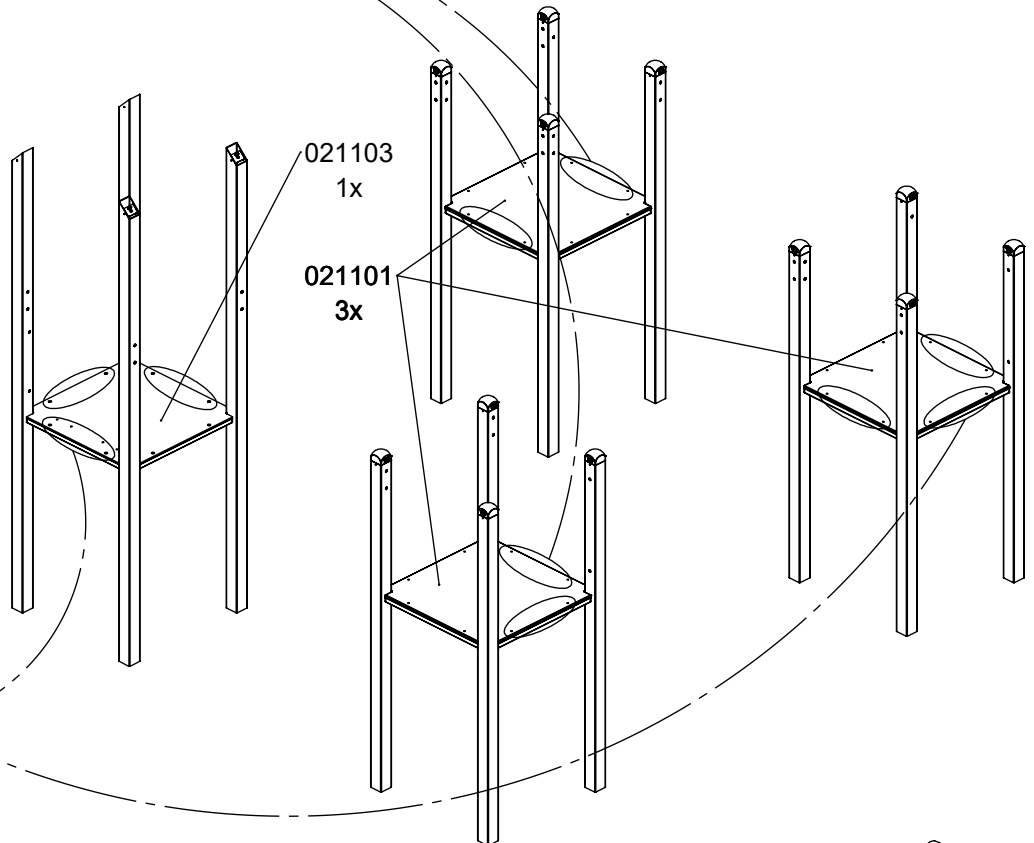
022100
16x



PLYWOOD HPL
2x **PS2** **PH2**

021103
1x

021101
3x

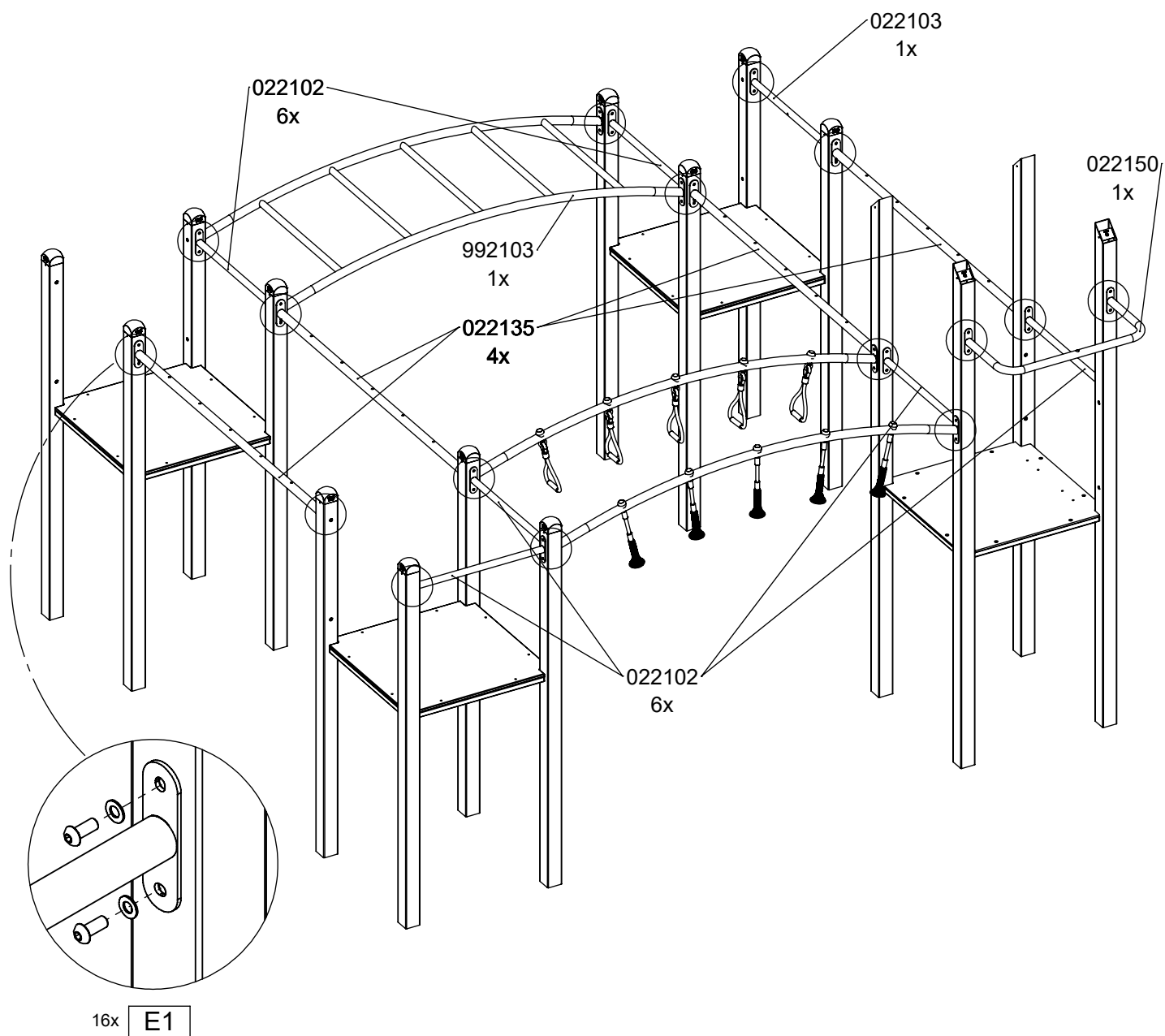
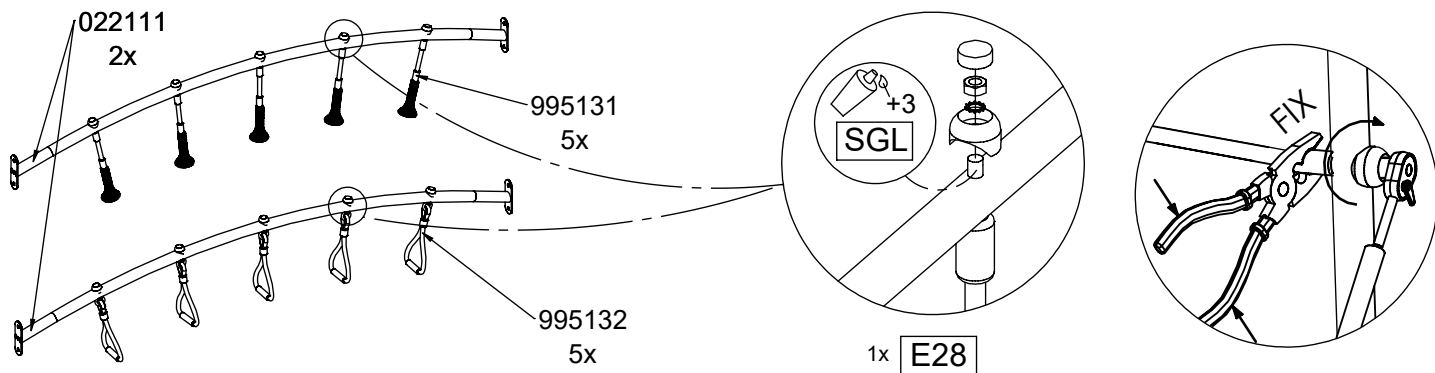


PLYWOOD HPL
2x **PS3** **PH3**

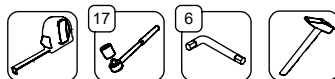
[cm]



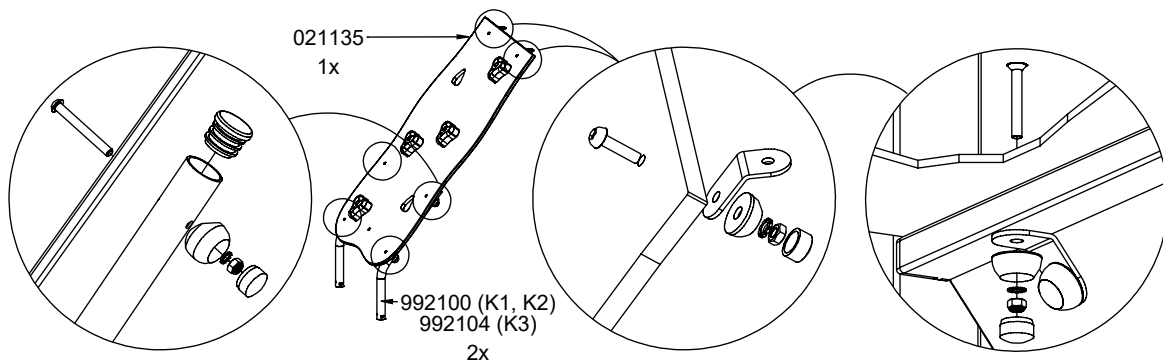
vinci
play



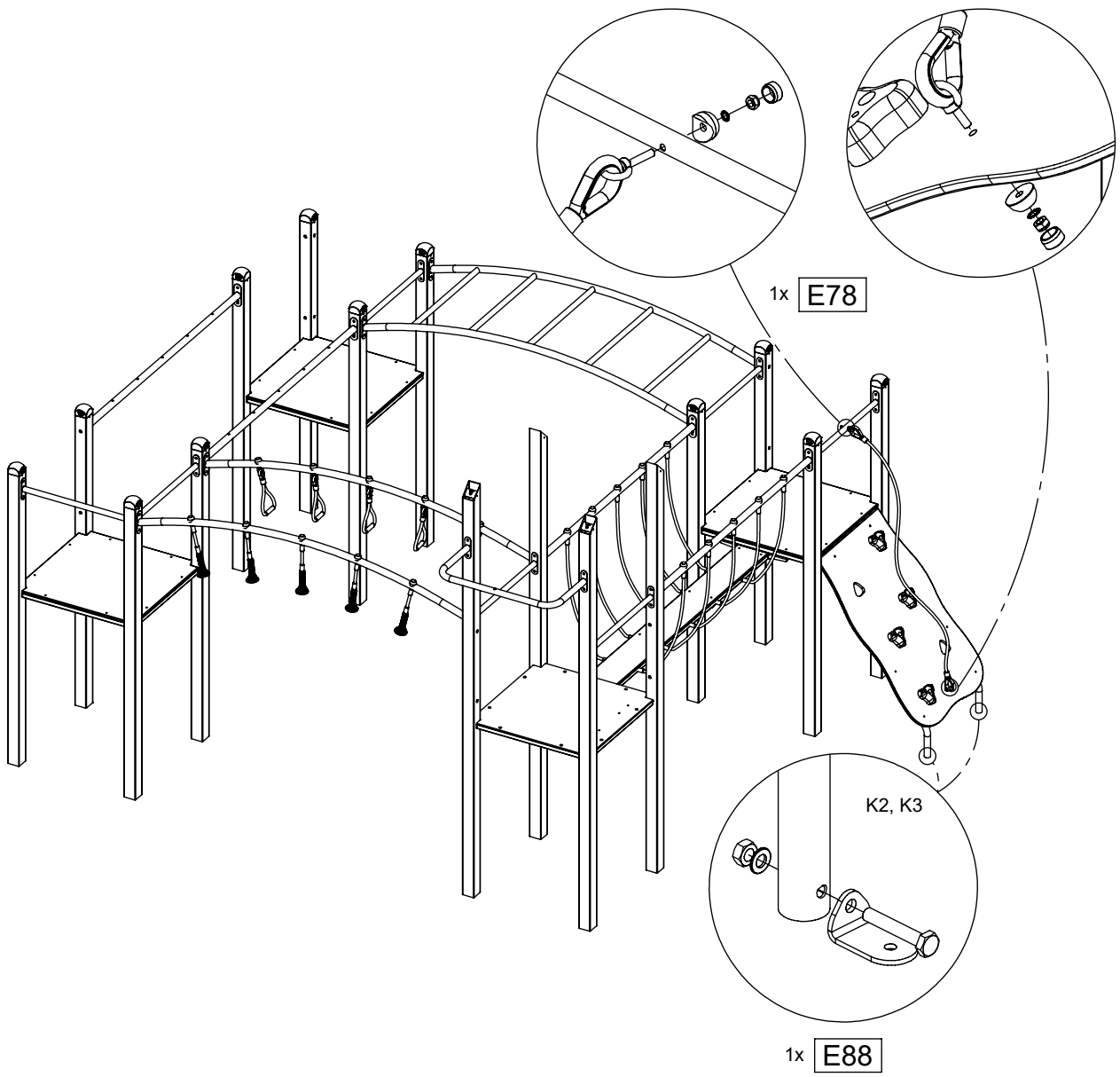
[cm]



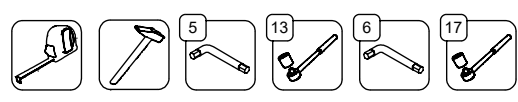
vinci
play



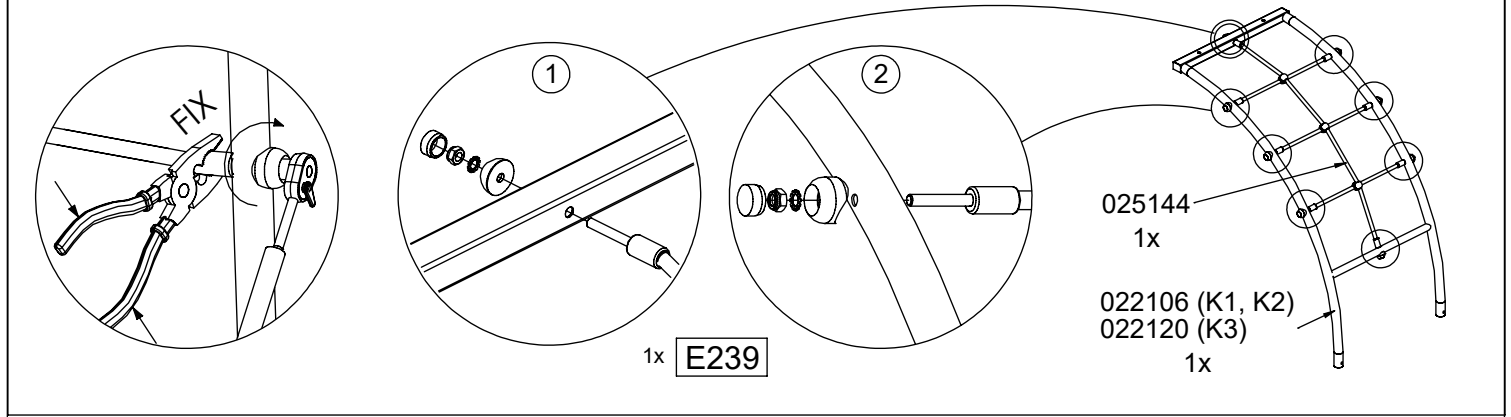
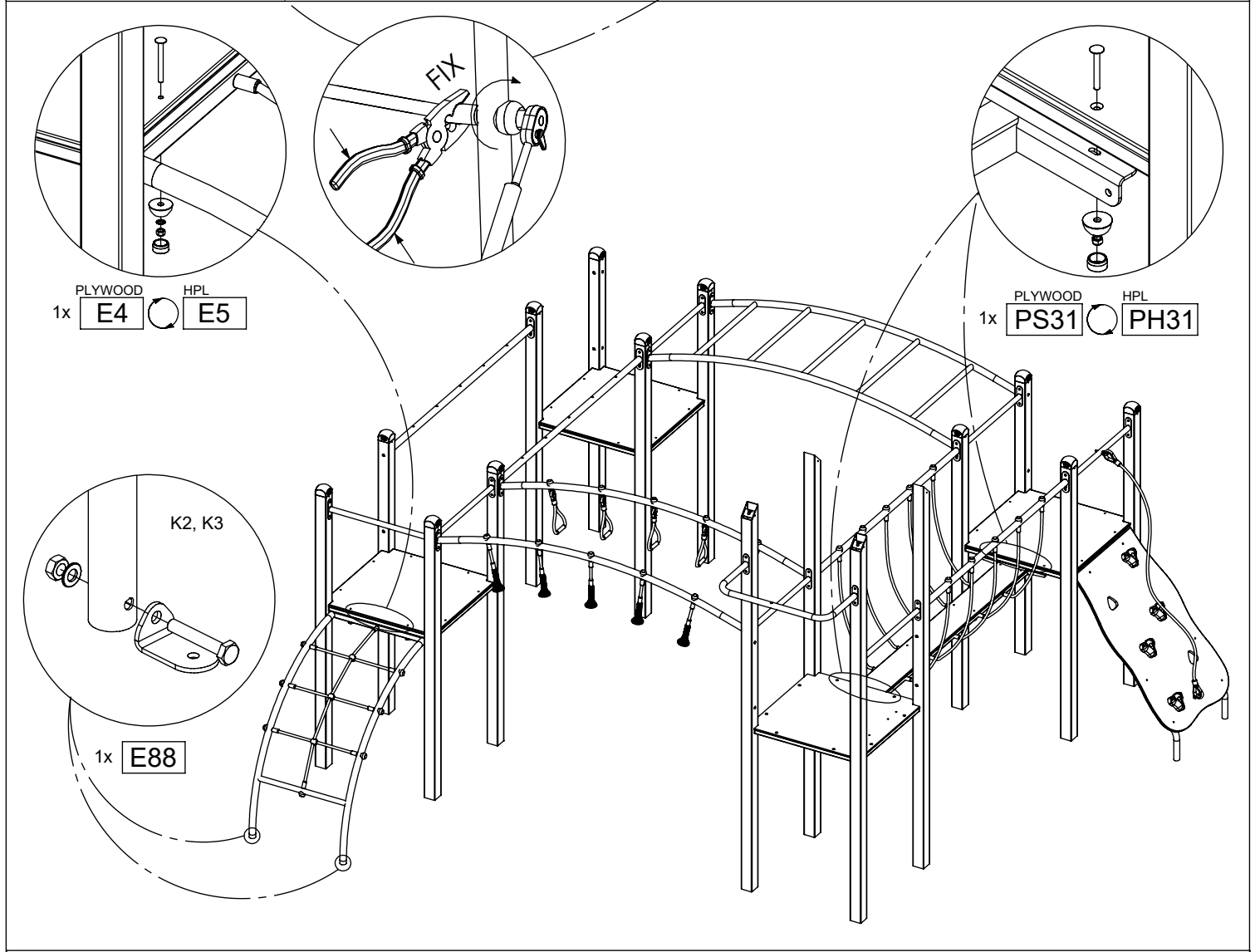
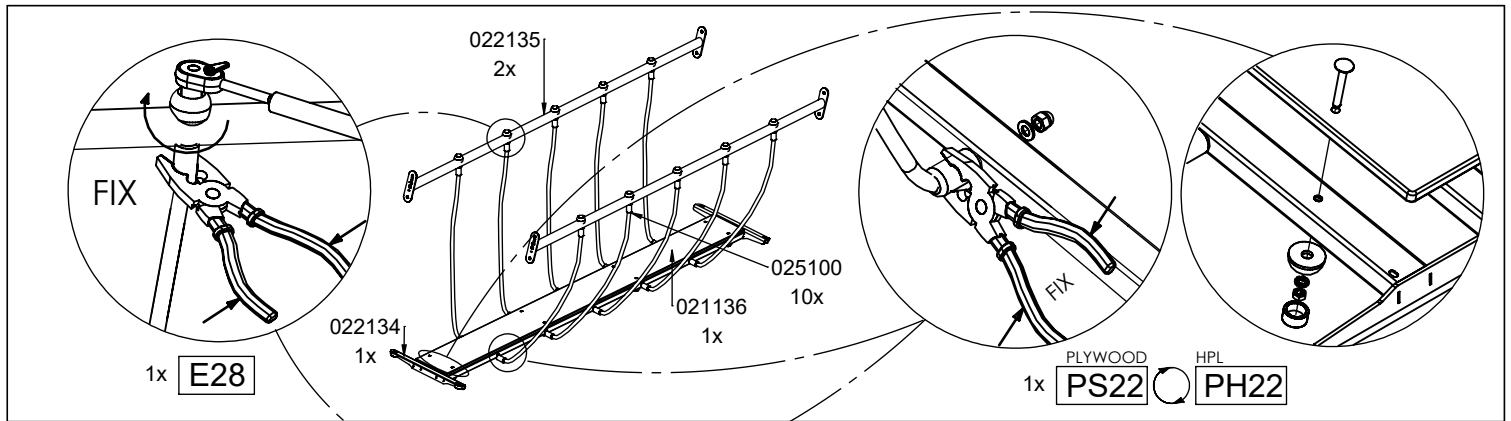
PLYWOOD PS21 HPL PH21

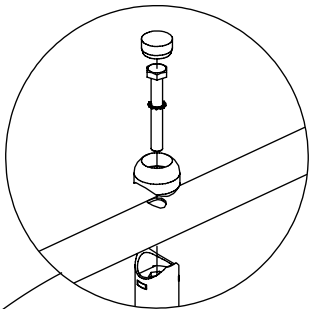
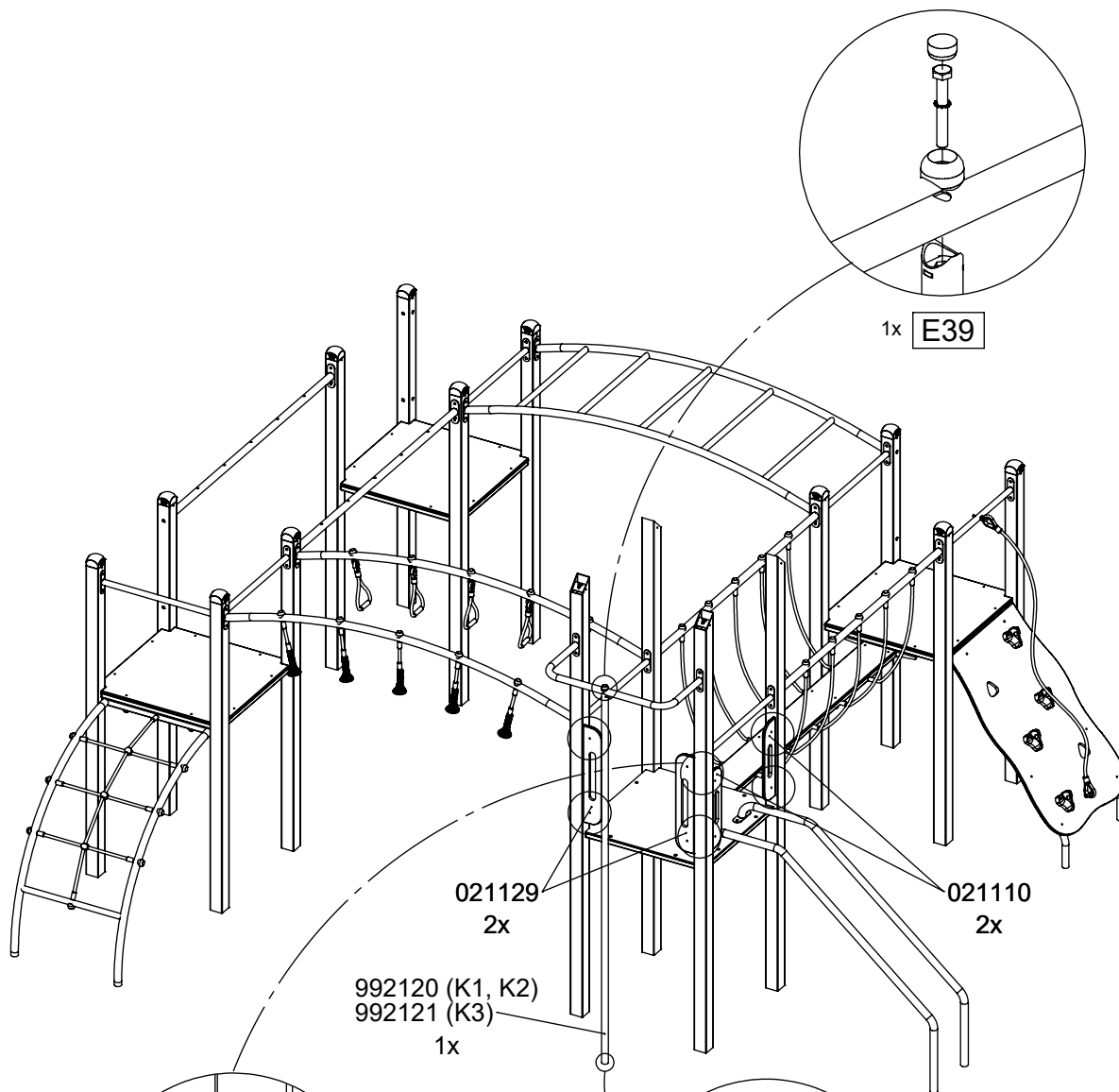


[cm]



vinci play



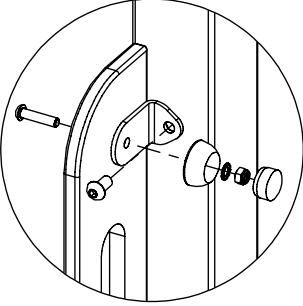


1x **E39**

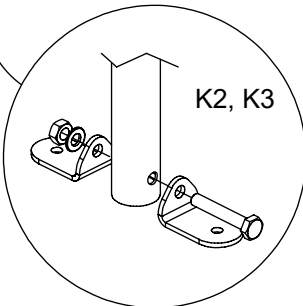
021129
2x

021110
2x

992120 (K1, K2)
992121 (K3)
1x

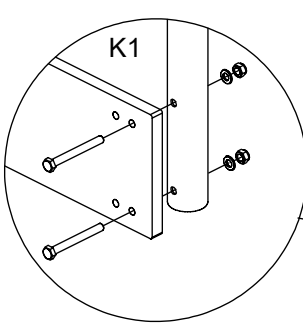


2x **CE4** **CL4**

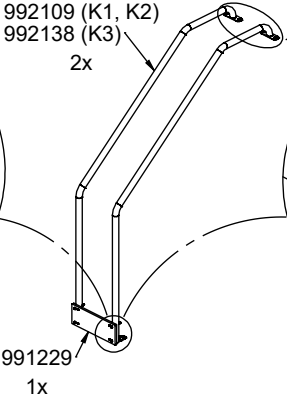


1x **E38**

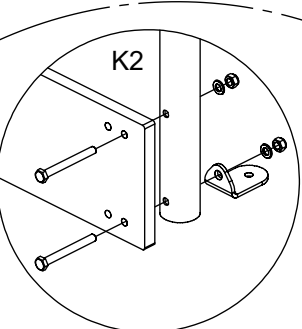
K2, K3



1x **E44**



991229
1x

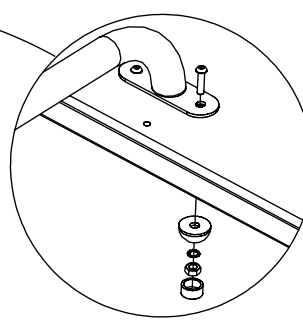


1x **E80**

K1

K2

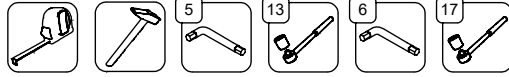
992109 (K1, K2)
992138 (K3)
2x



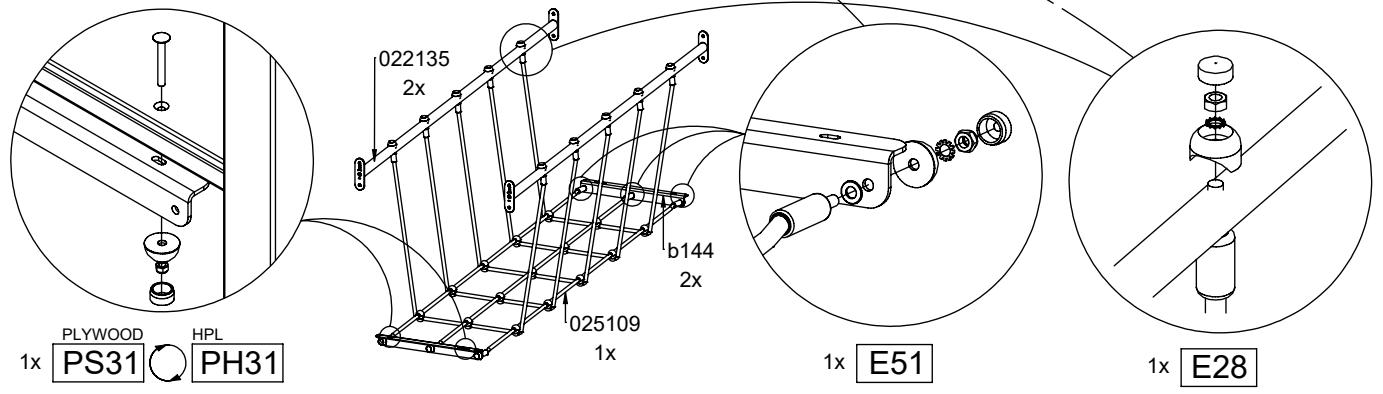
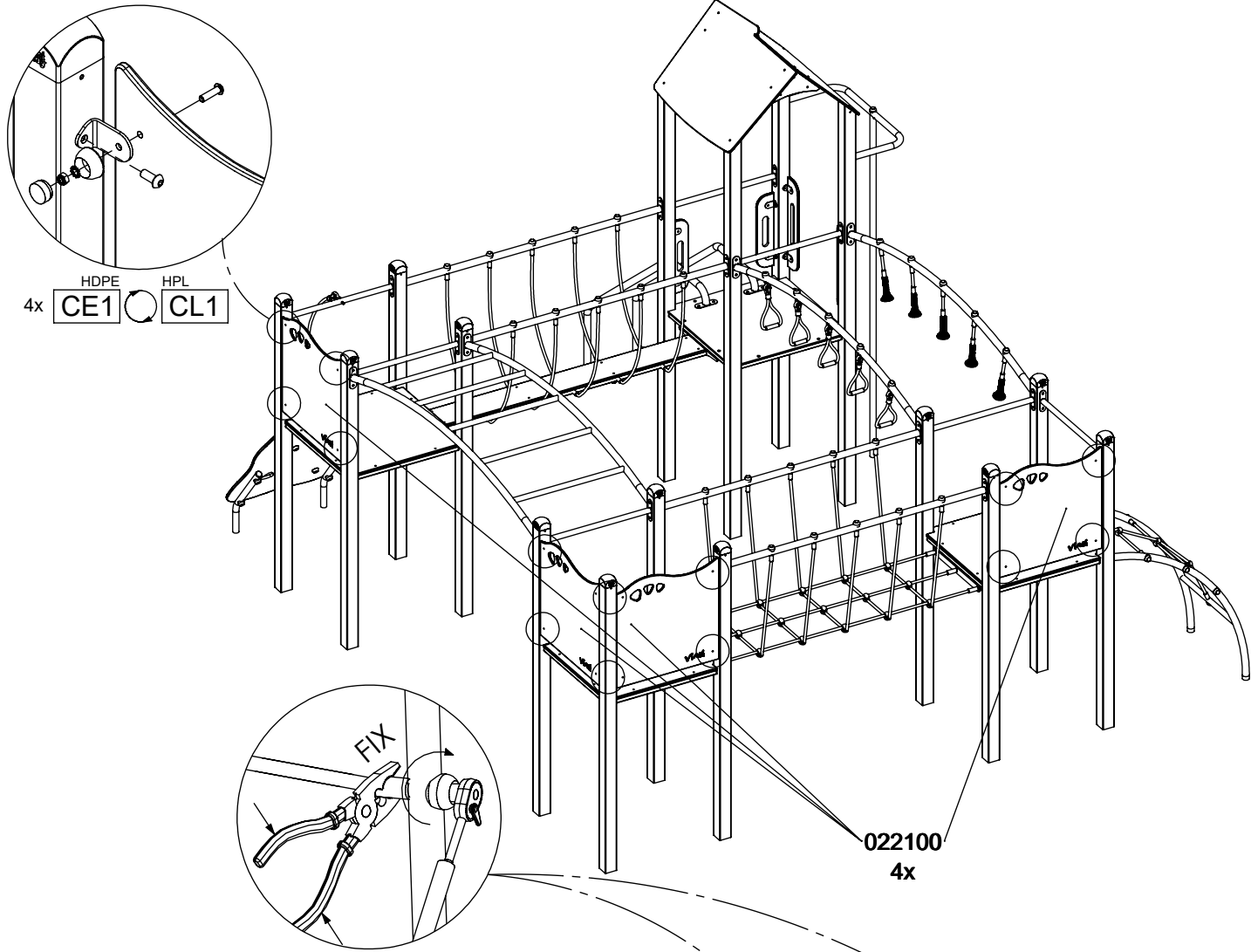
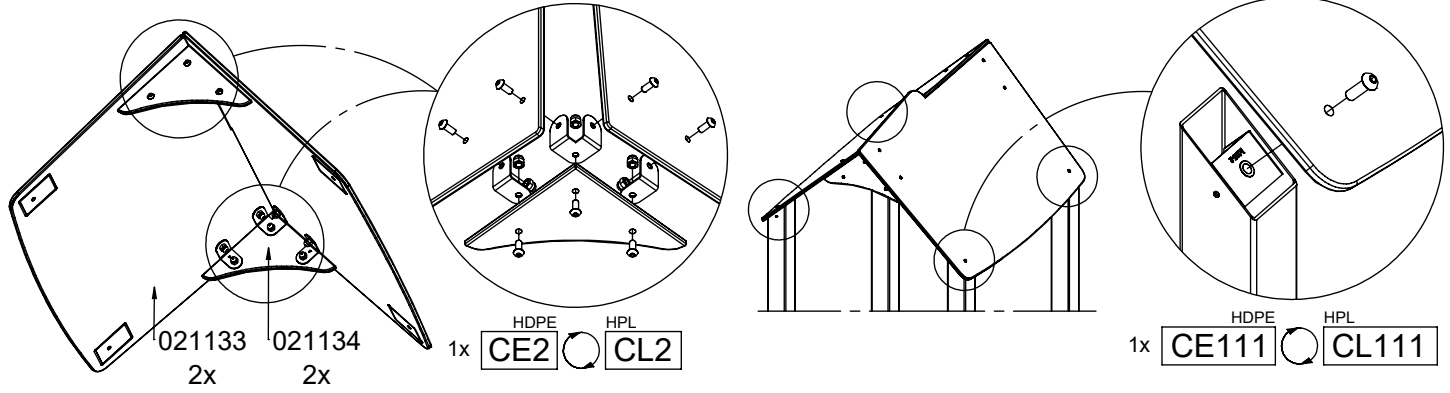
1x **E6** **E7**

PLYWOOD HPL

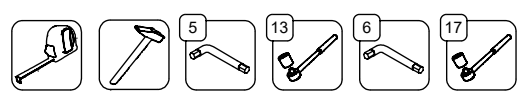
[cm]



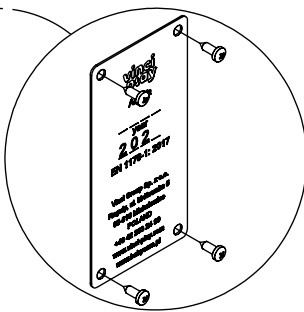
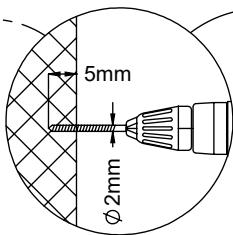
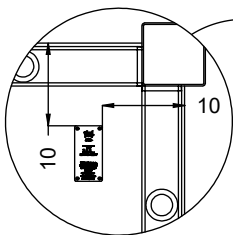
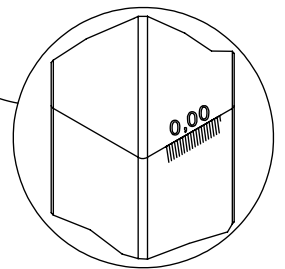
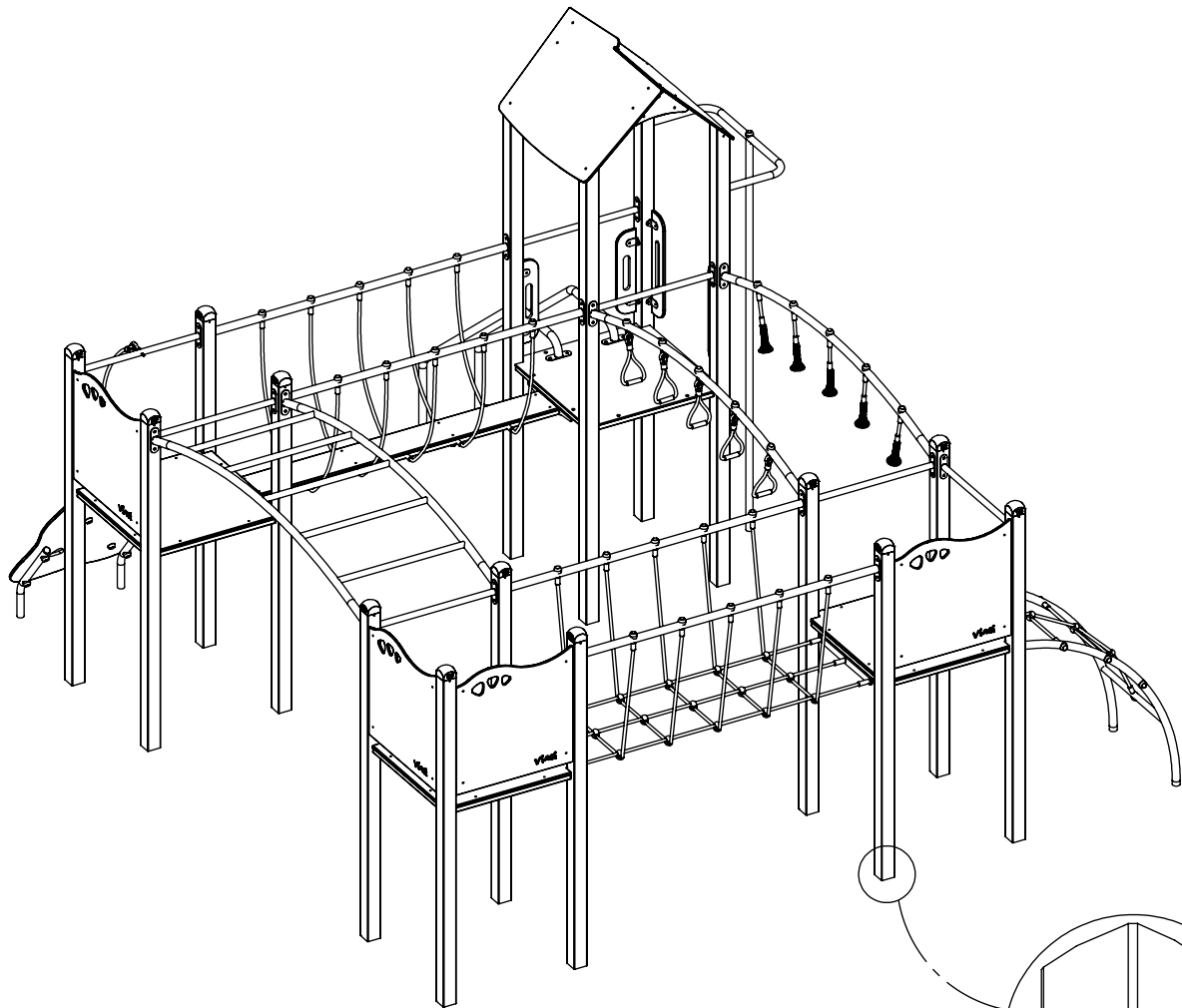
vinci
play



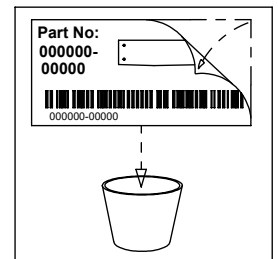
[cm]



vinci
play



V001



[cm]



vinci
play