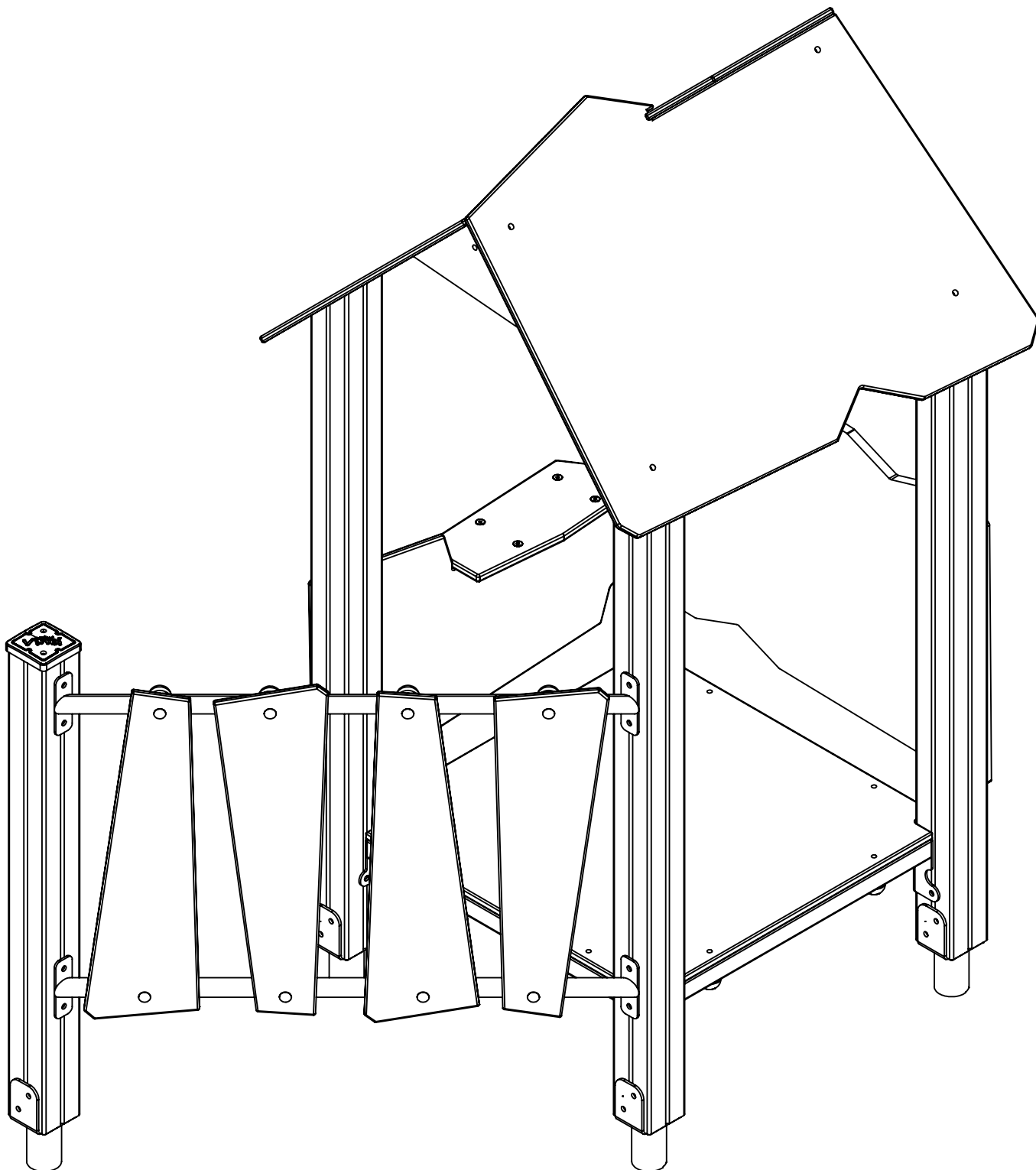


WD 1402



[cm]

v1/30.01.19
A.H.

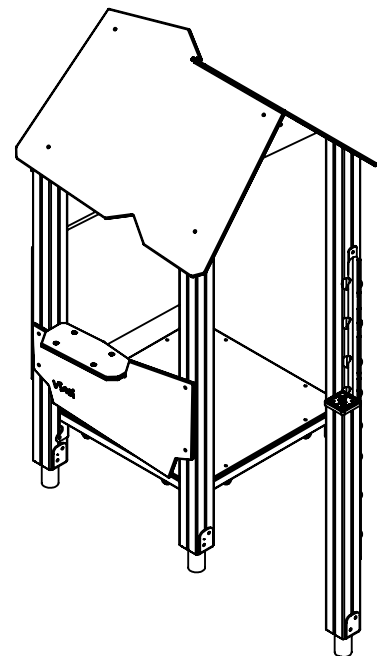
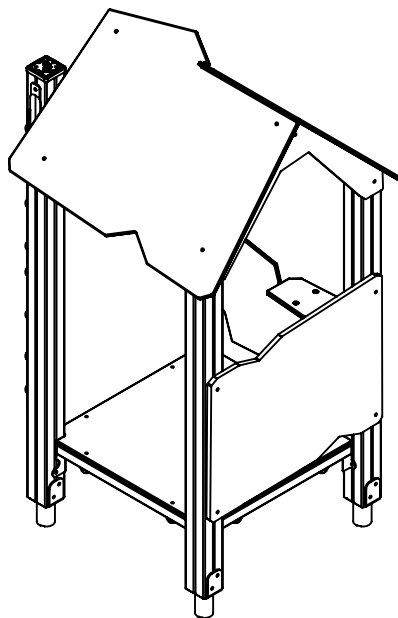
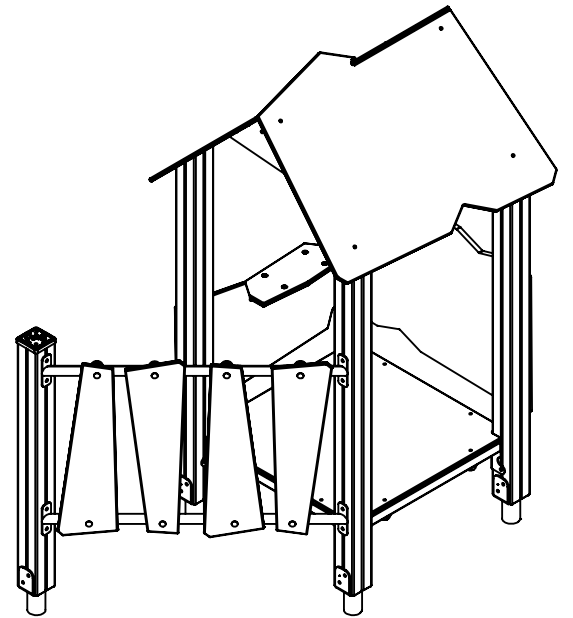
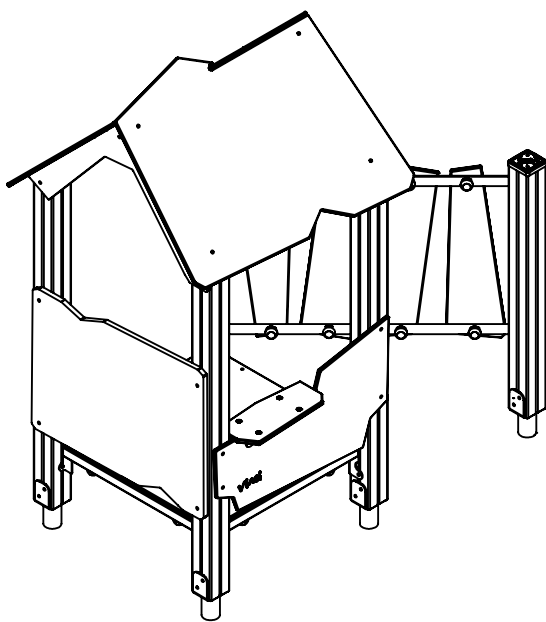
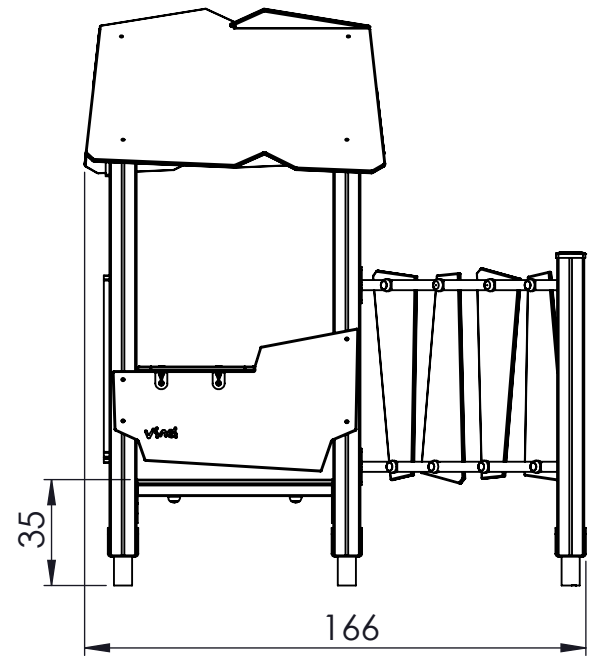
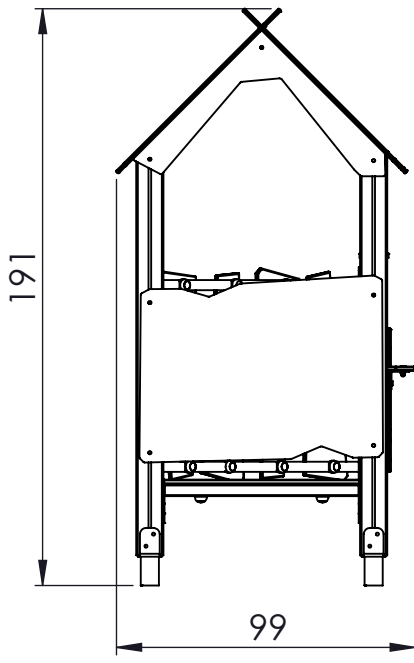


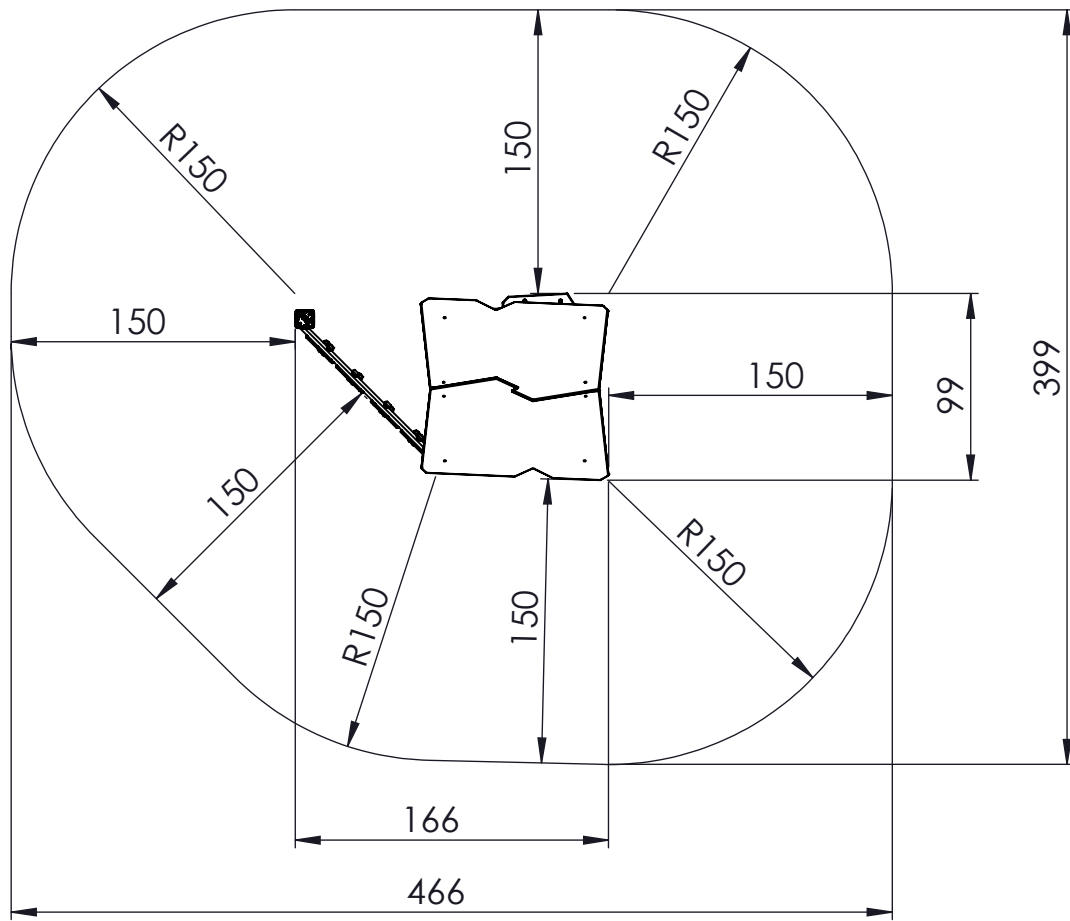
2,5h

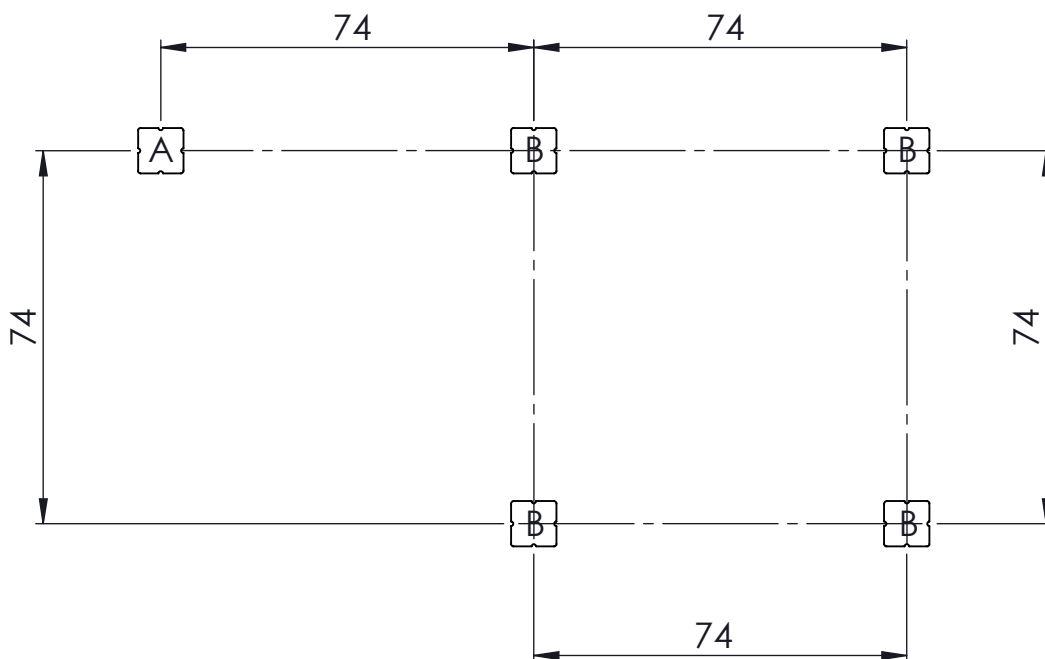
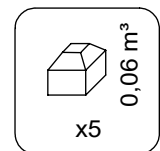
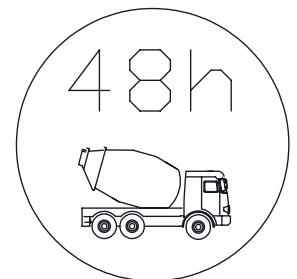
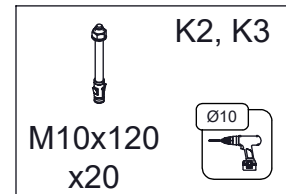
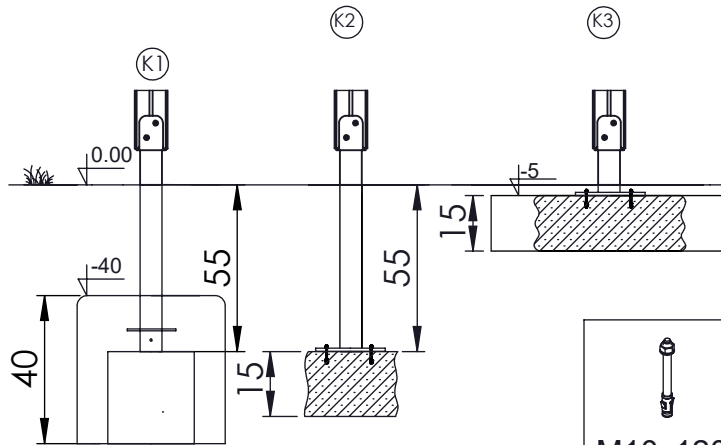
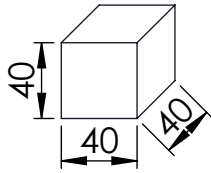
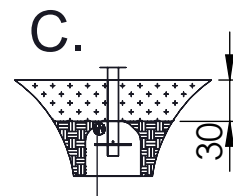
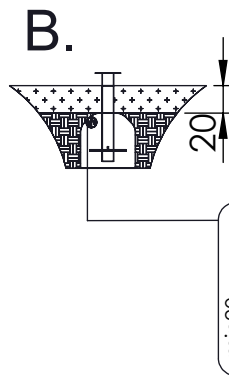
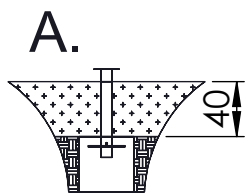


48h

play
vinici







[cm]

play
Vinci

A



14714145
x1

B



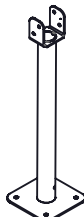
14709990
x4

K1



142102
x5

K2

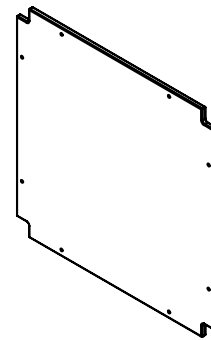


142108
x5

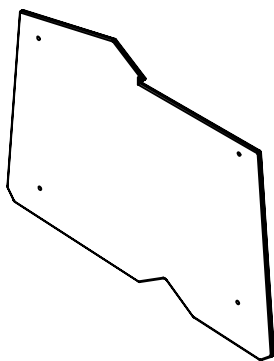
K3



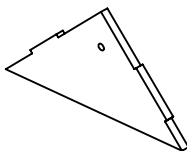
142100
x5



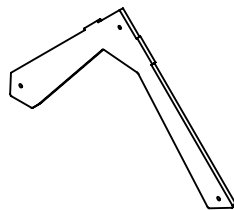
141100
x1



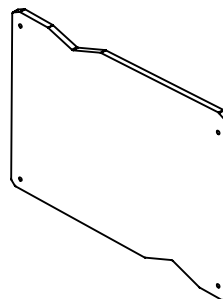
141120
x2



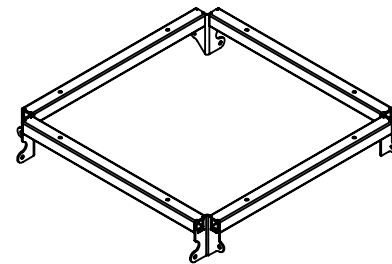
141122
x1



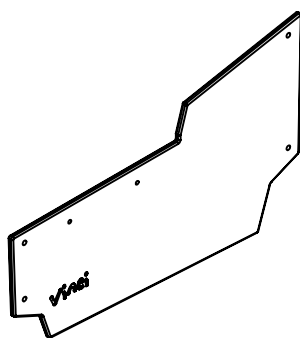
141123
x1



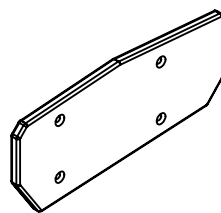
141148
x1



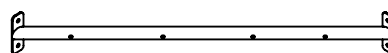
142109
x1



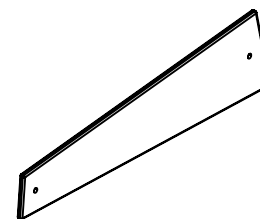
141135
x1



141136
x1

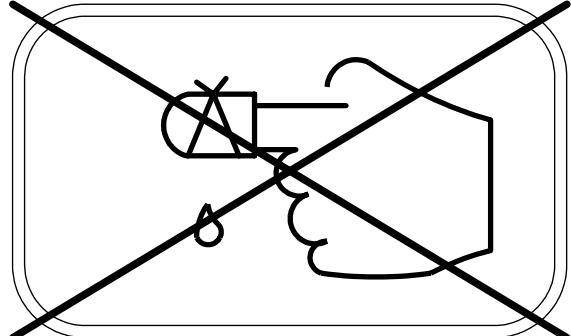
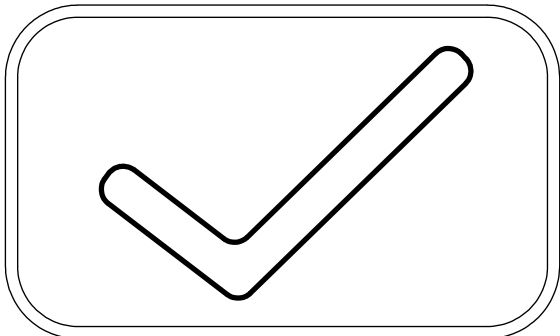
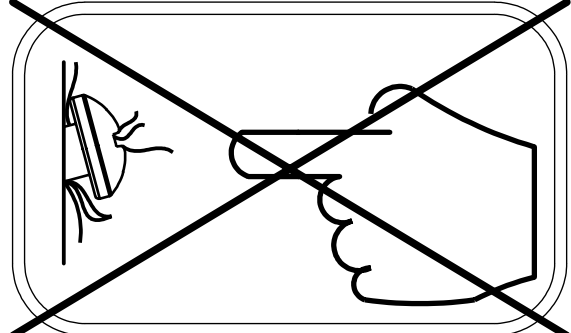
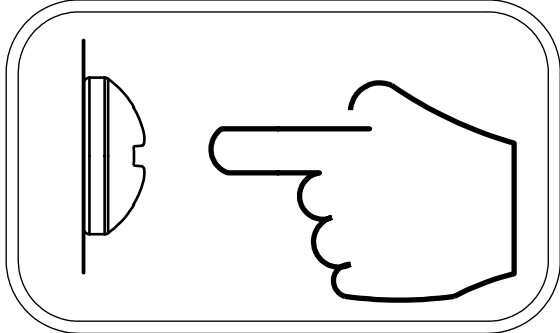
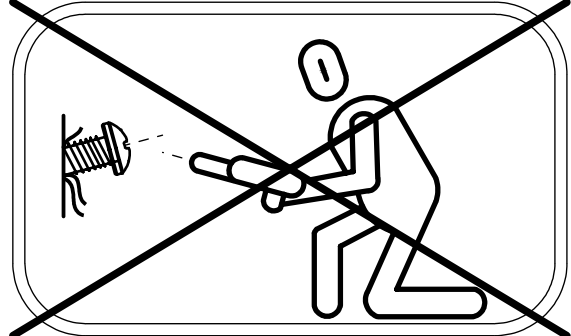
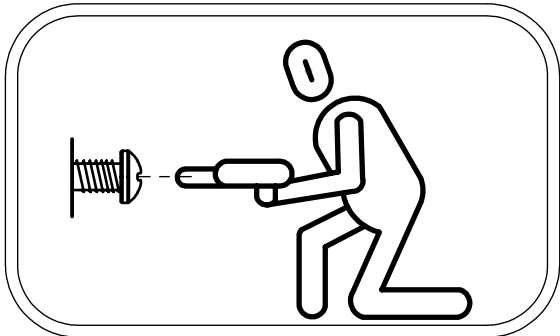


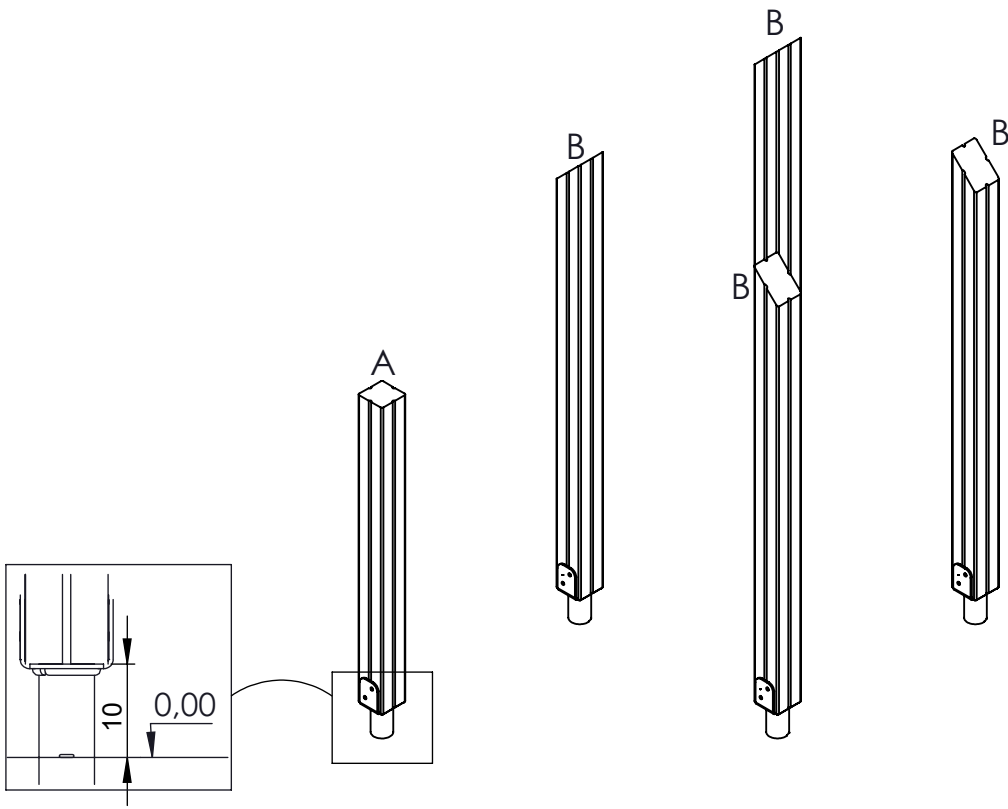
142103
x2



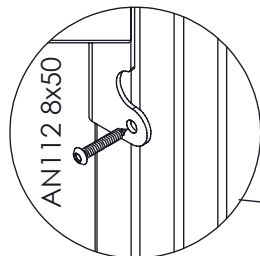
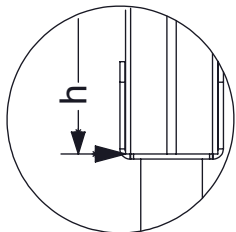
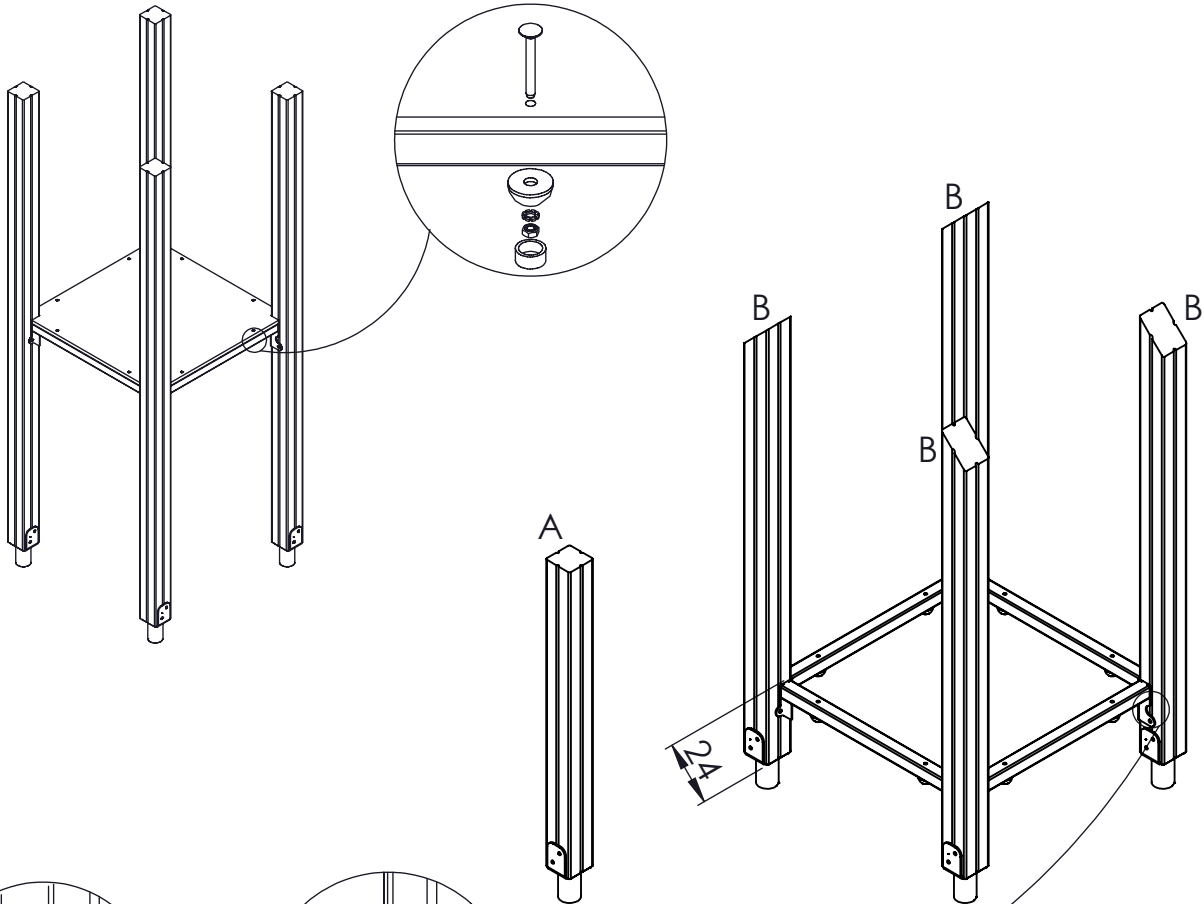
141142
x4

AN112 8x50 x42 1x WD1 1x WD2	PLYWOOD	HPL
	1x WD76 1x CE6 1x WD33	1x WD77 1x CL6 1x WD34



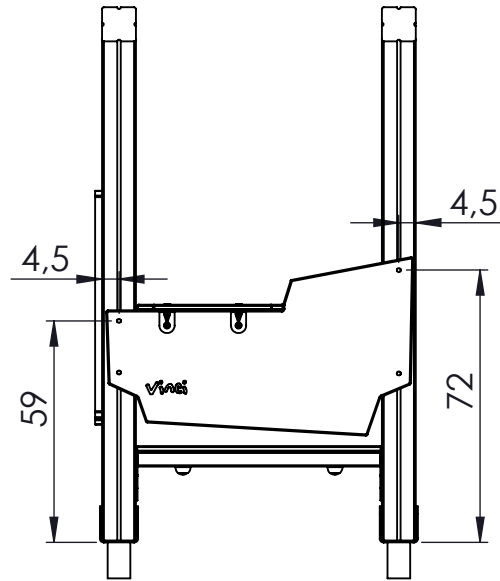
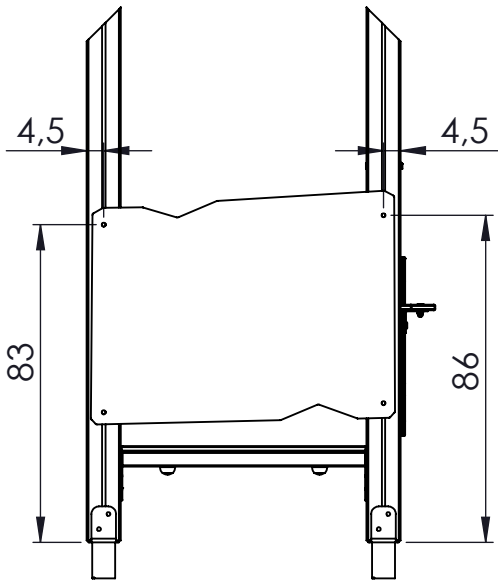
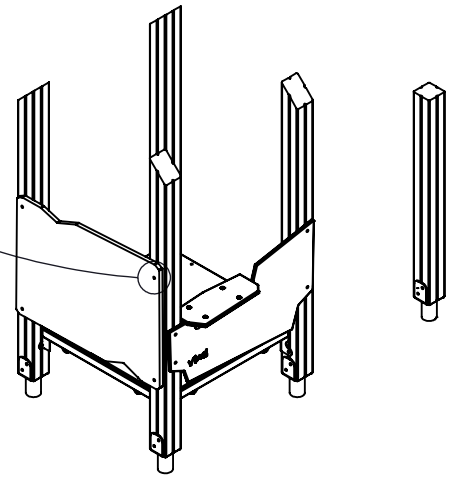
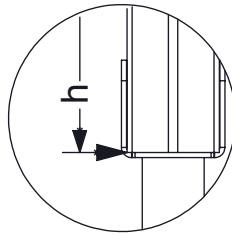
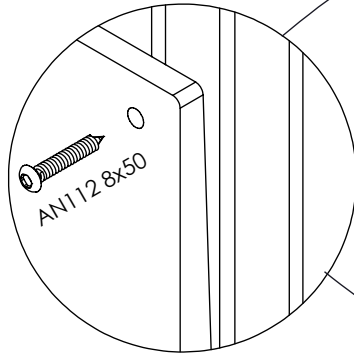
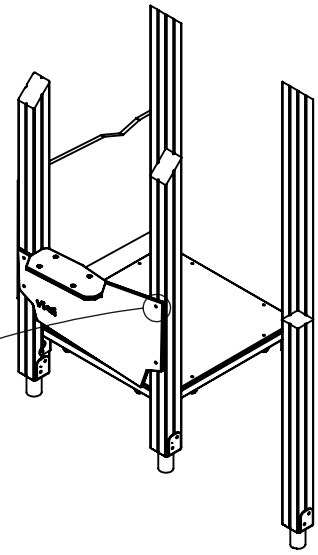
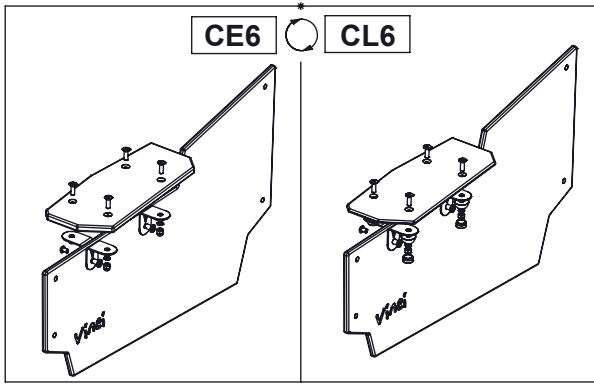


-	PLYWOOD	HPL
1x	WD76	WD77



[cm]

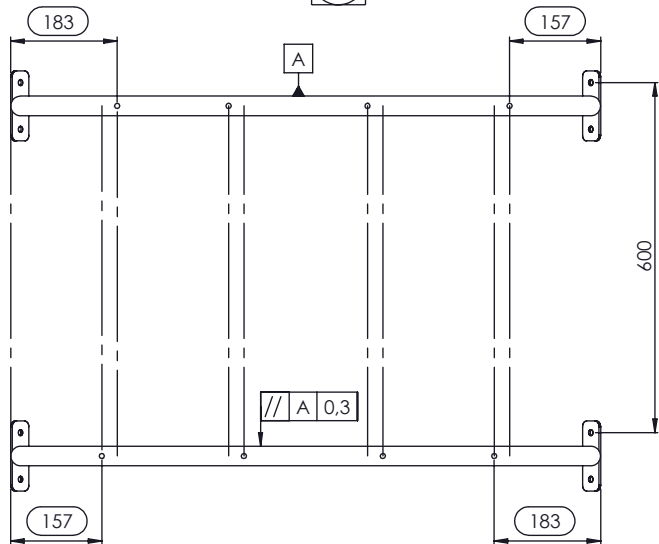
play
vinici



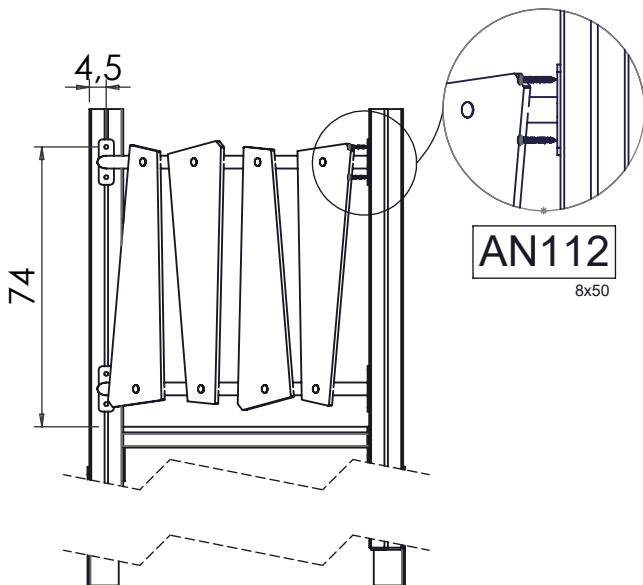
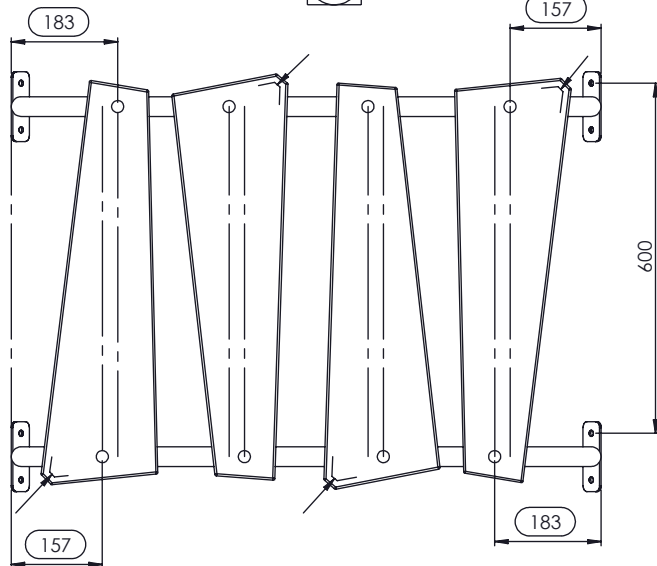
[cm]

play
Vinci

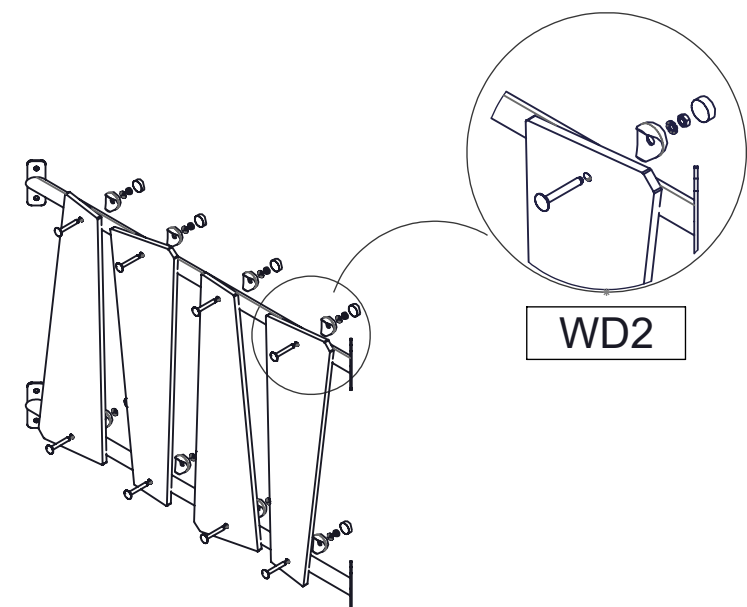
1



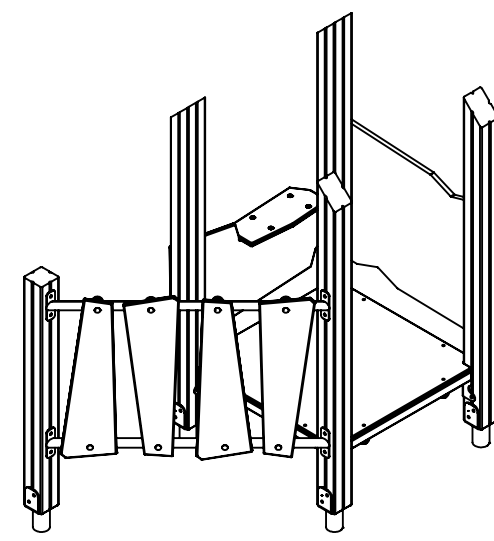
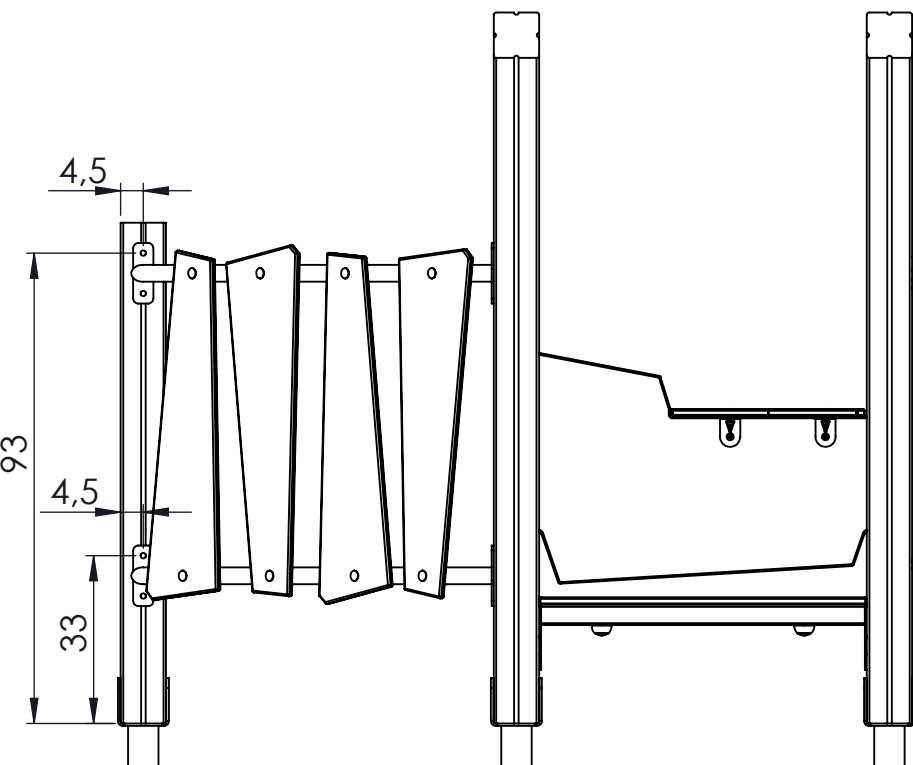
2



AN112
8x50

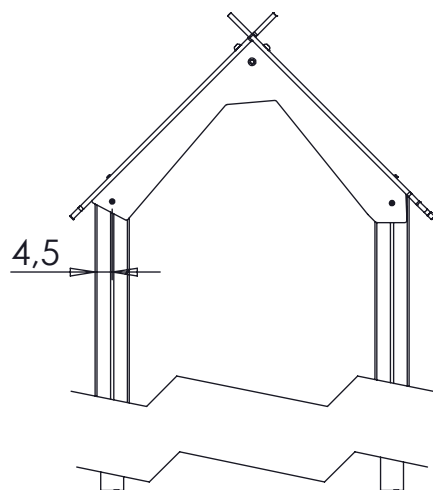
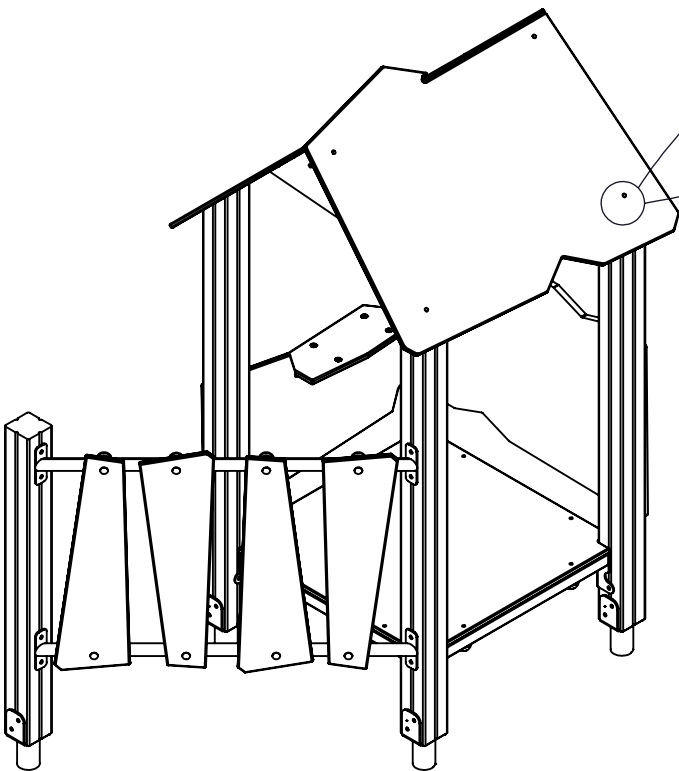
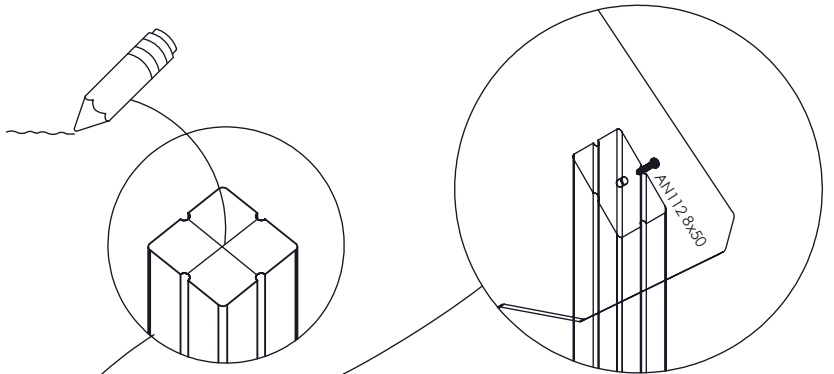
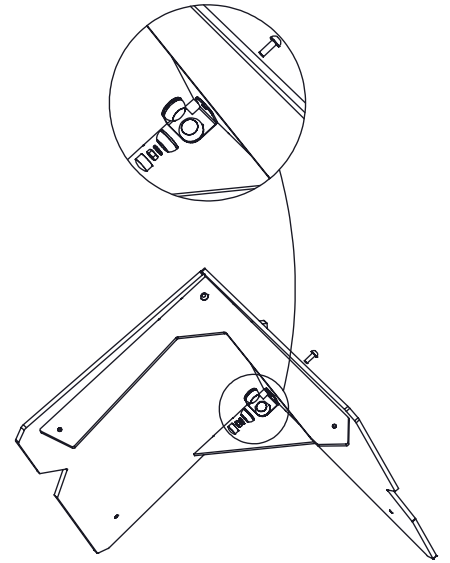
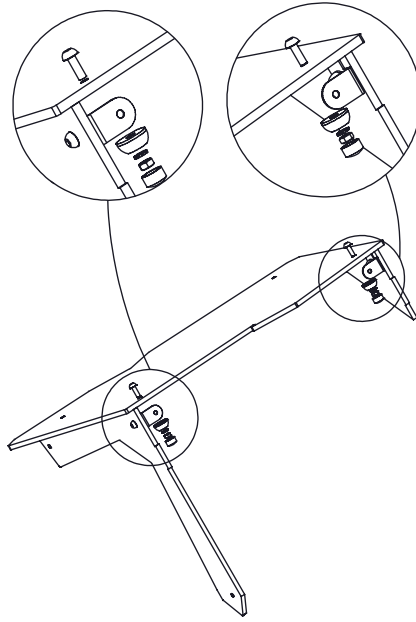
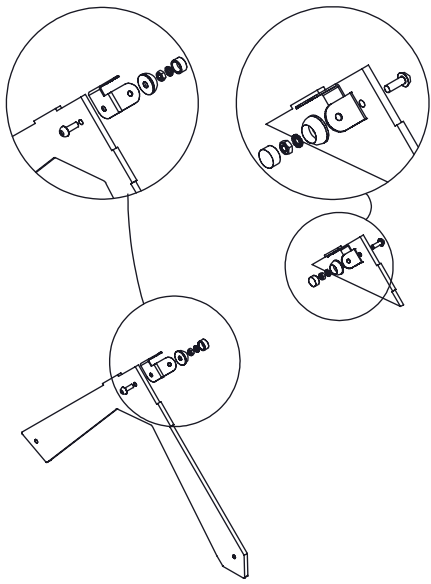


WD2



play
vinci

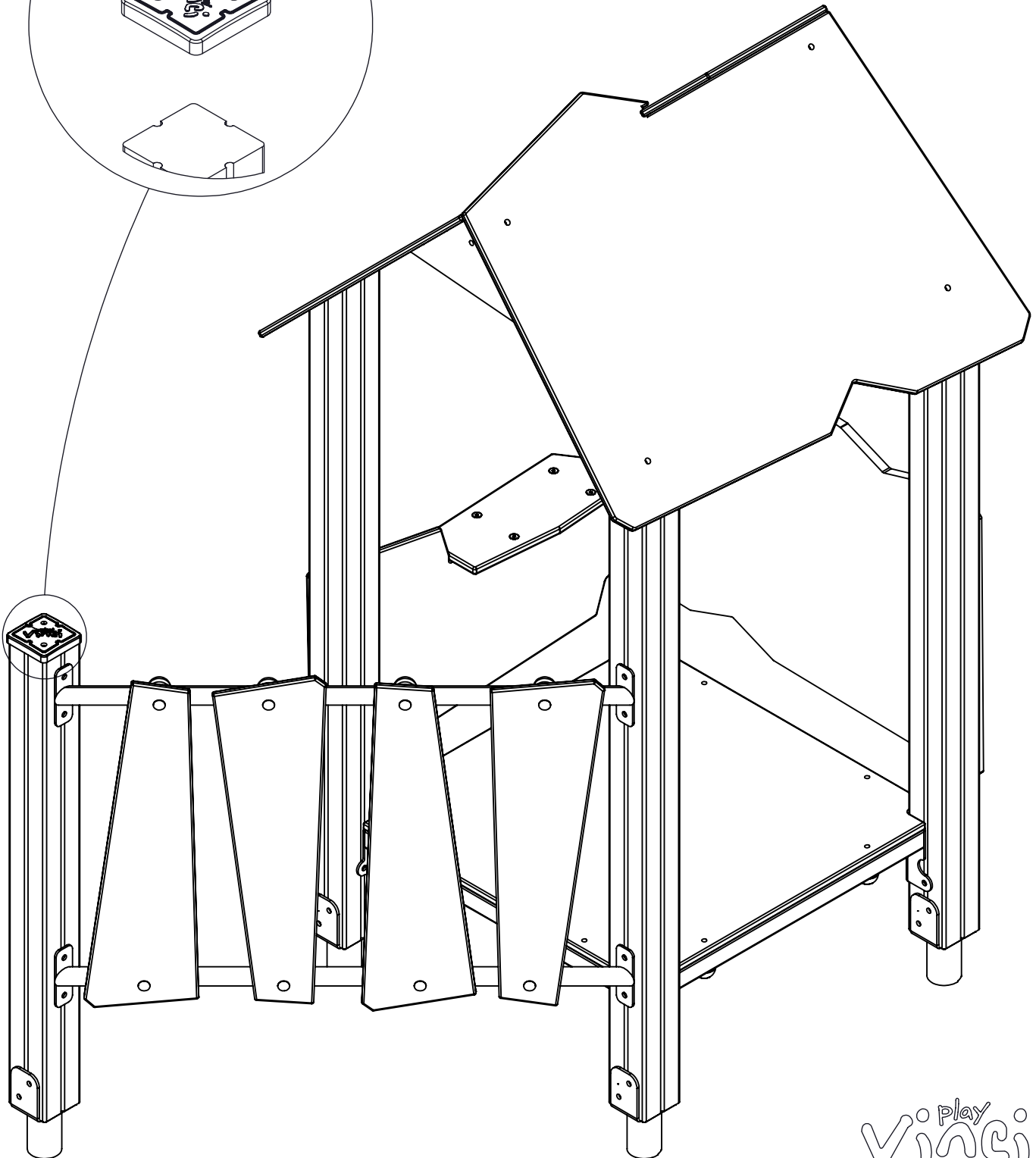
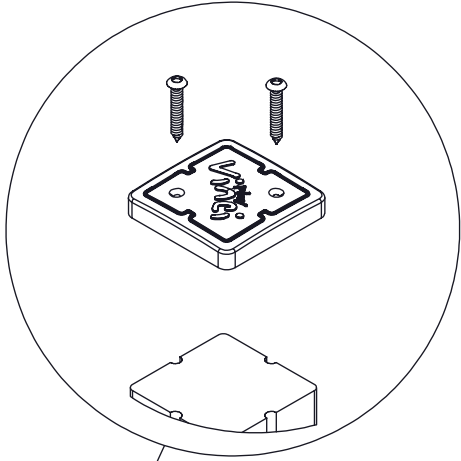
-	HDPE	HPL
1x	WD33	WD34



[cm]

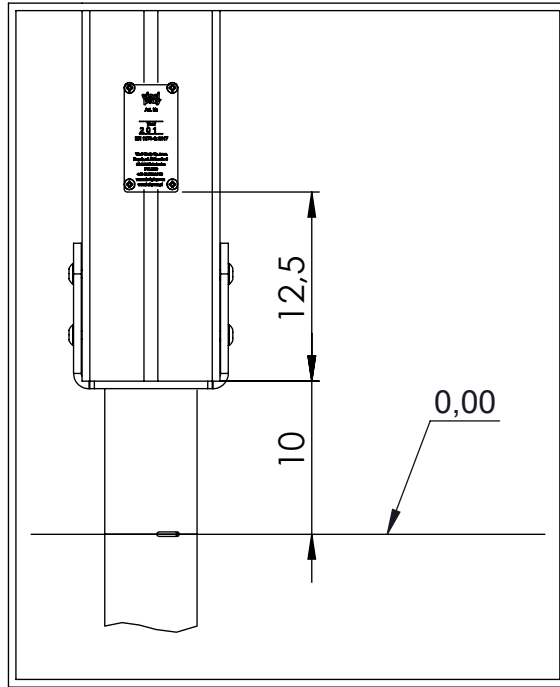
play
viaci

1x WD1



[cm]

play
Vinci



V001

