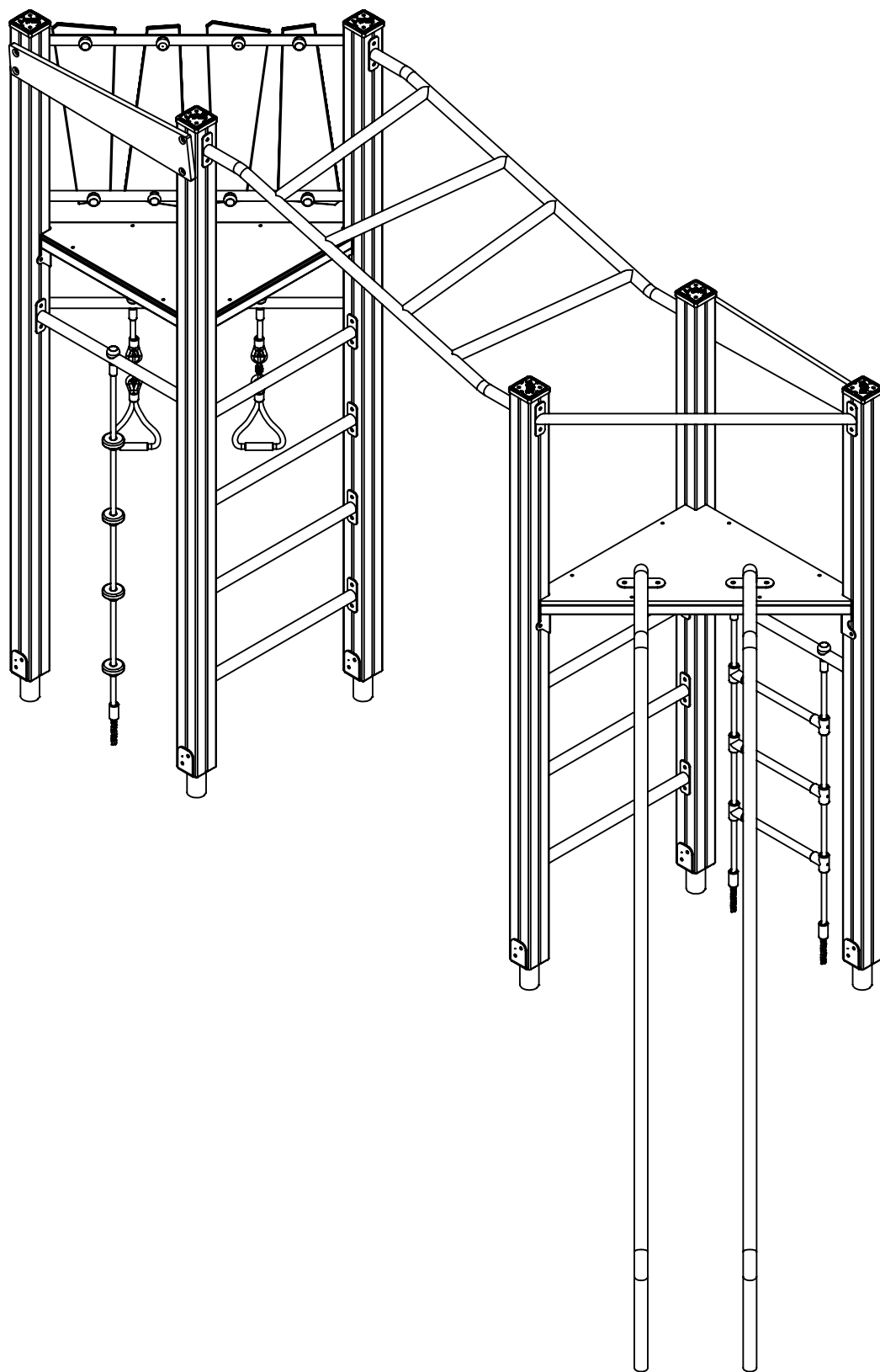


# WD 1451



[cm]

v3/30.01.19  
I.D.



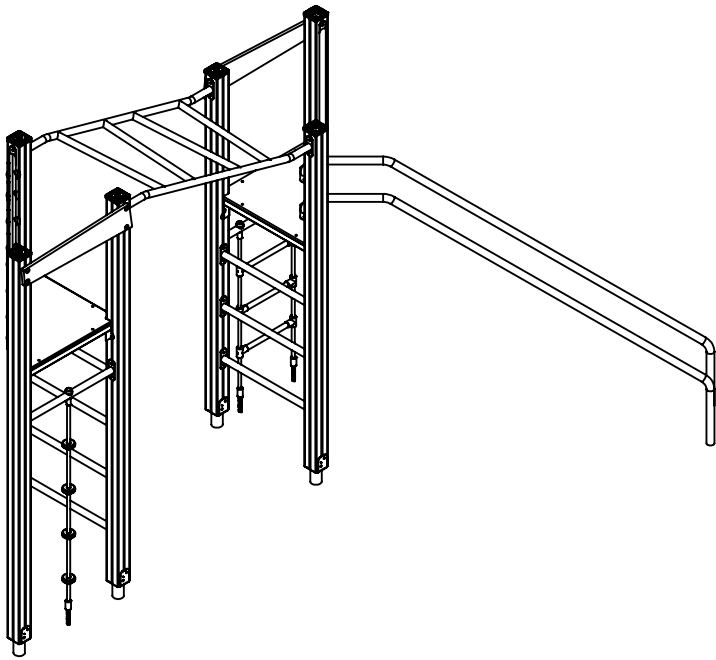
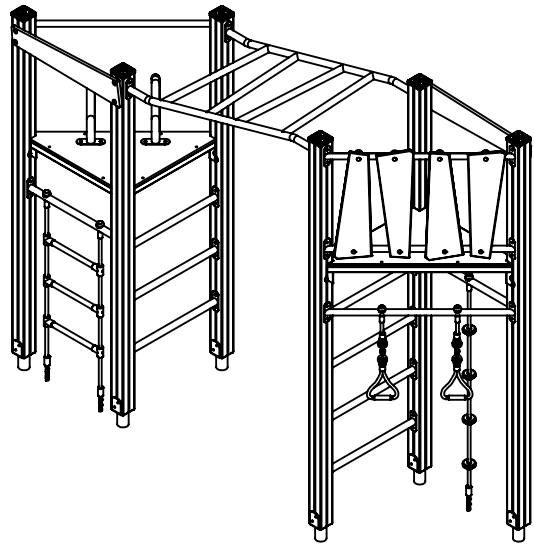
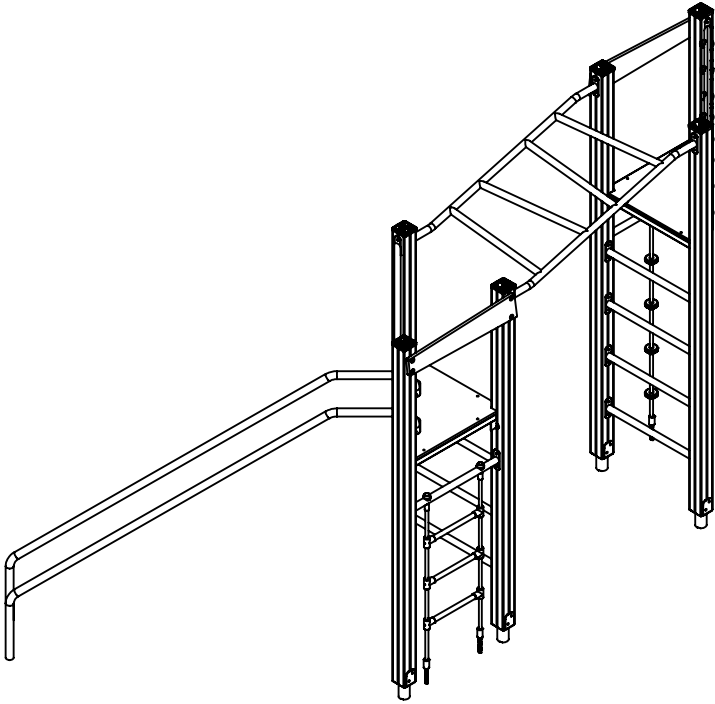
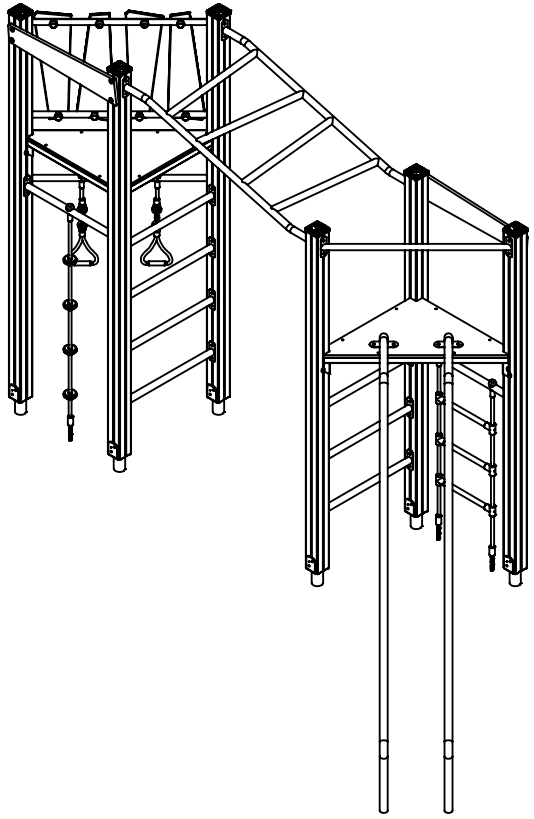
4,5h

250  
HIC



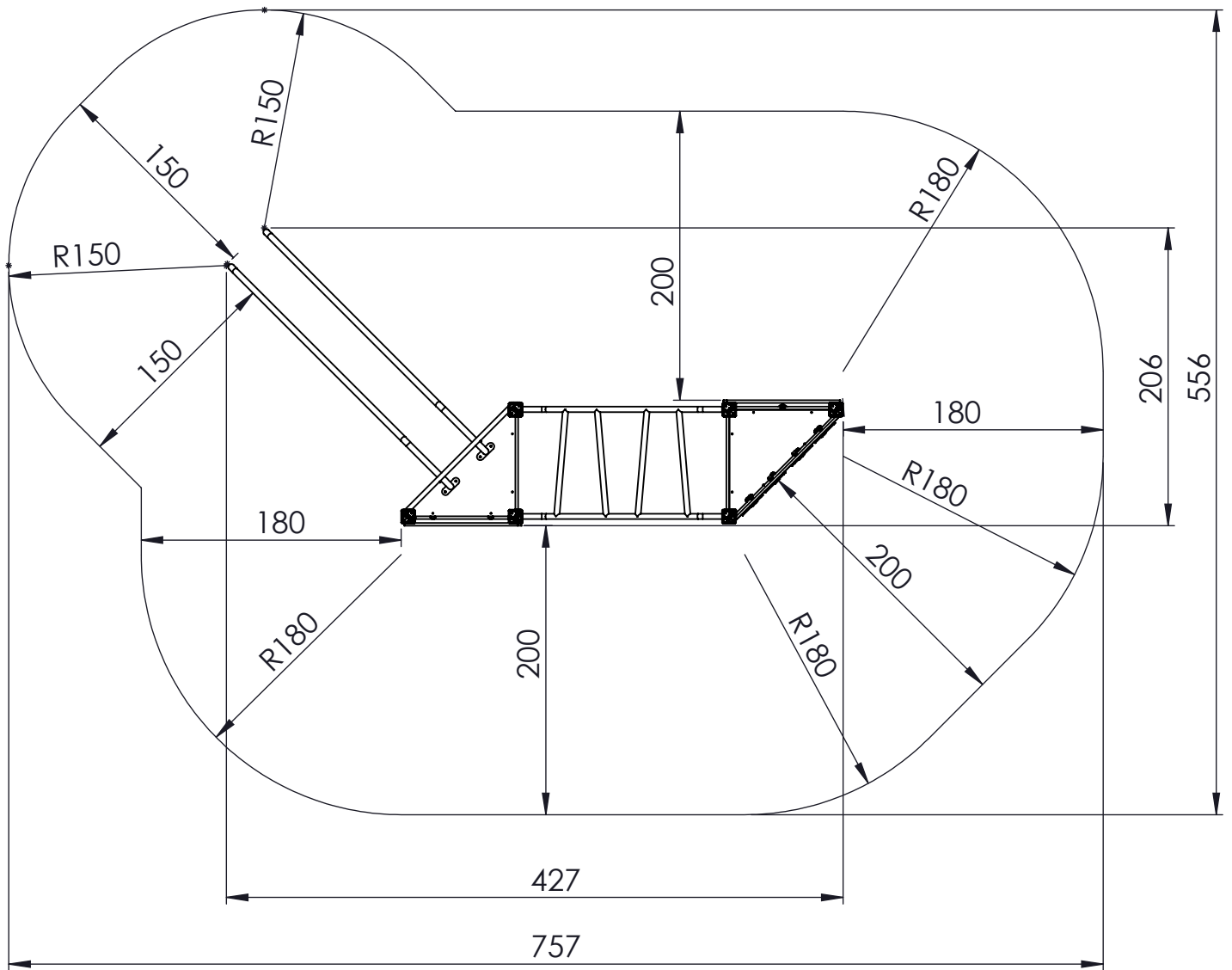
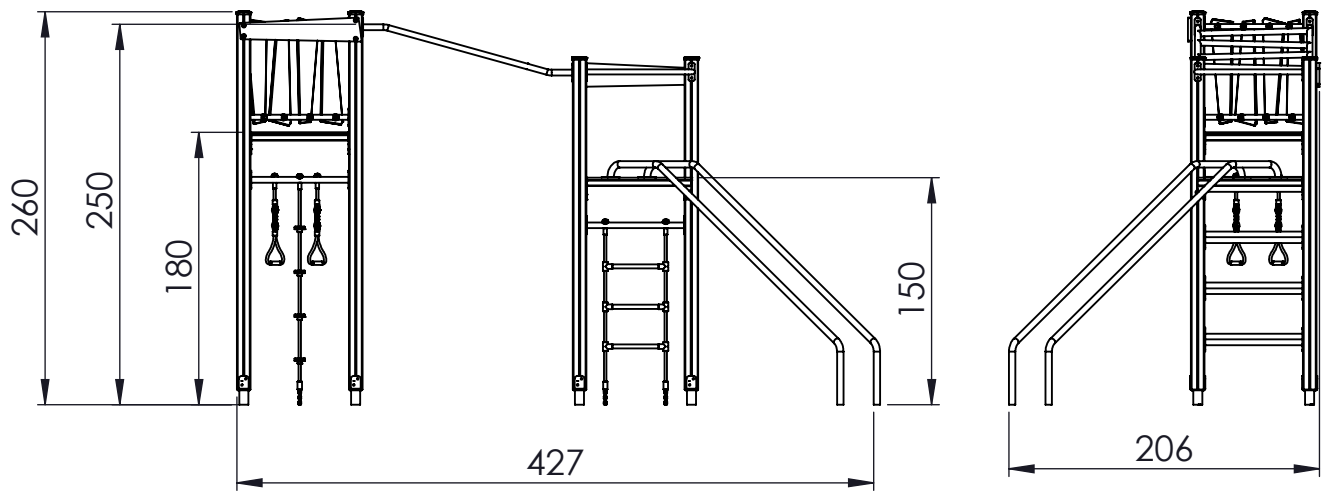
48h

play  
vinci



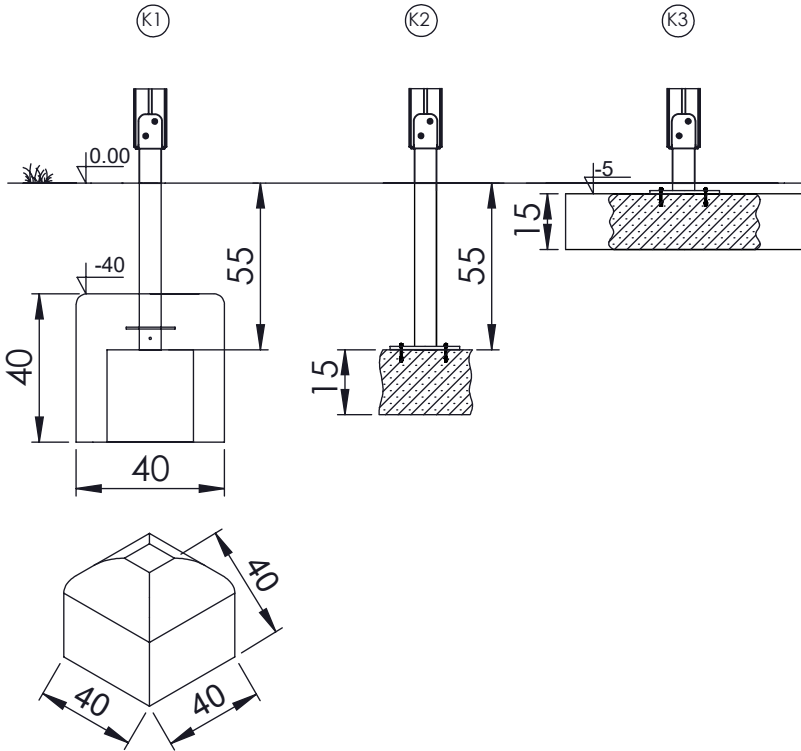
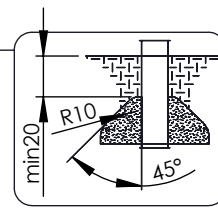
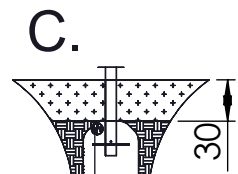
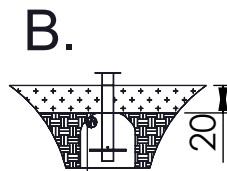
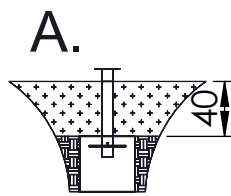
[cm]


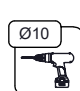

play  
Vinci

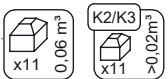
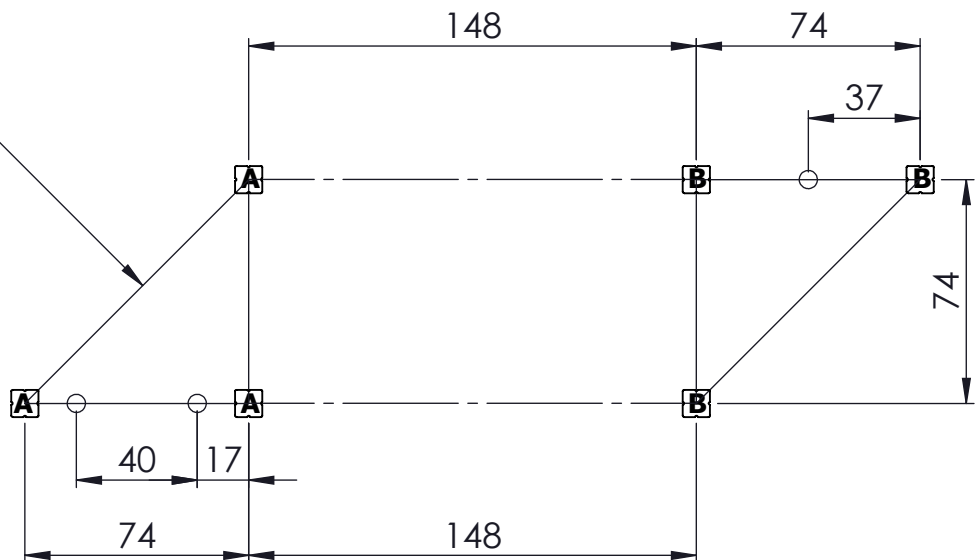
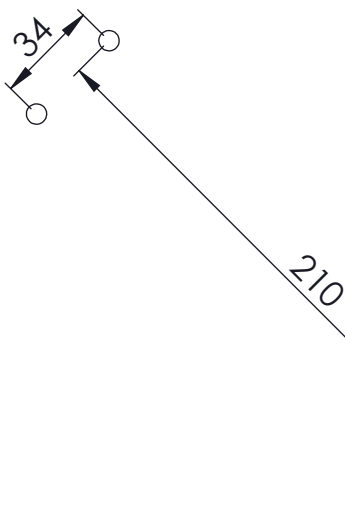


[cm]

play  
Vinci

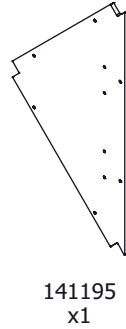
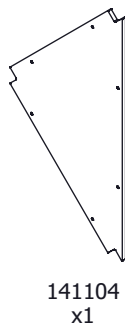
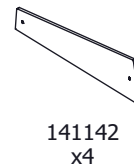
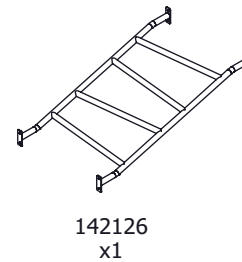
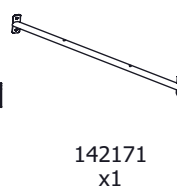
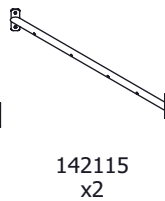
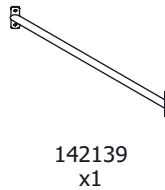
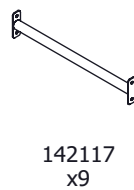
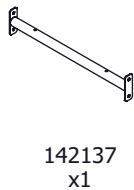
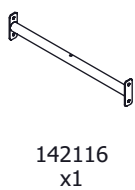
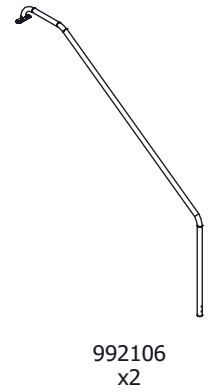
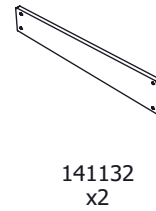
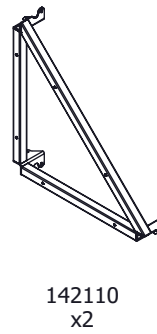
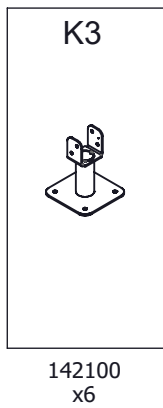
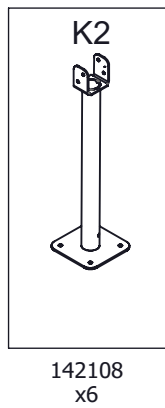
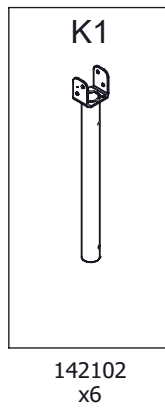
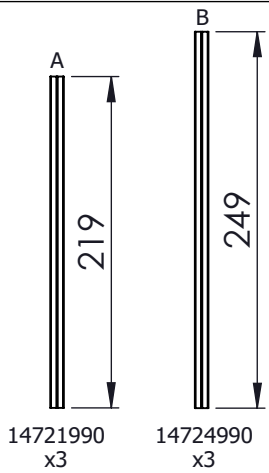


	K2, K3
M10x120 x32	
<b>NOT INCLUDED</b>	

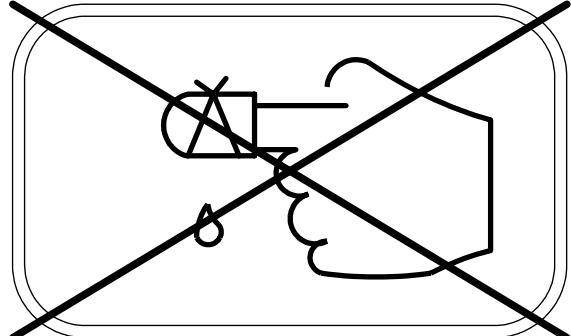
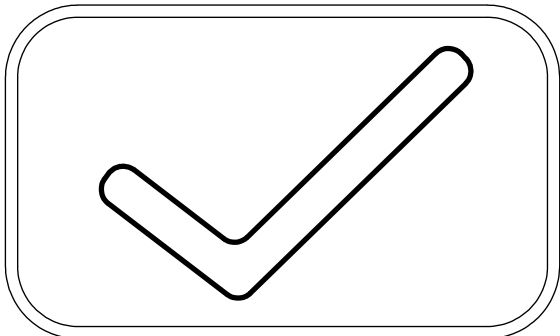
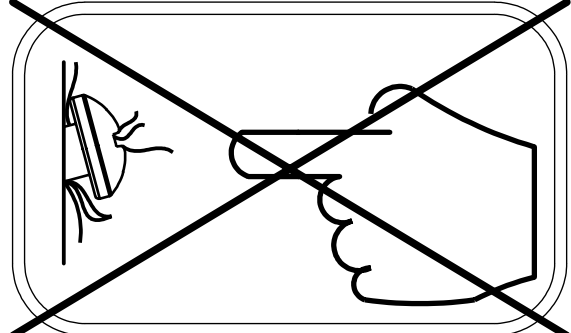
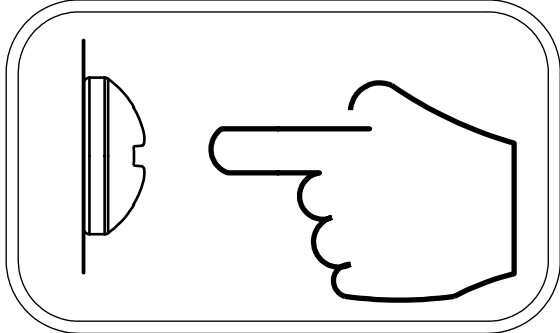
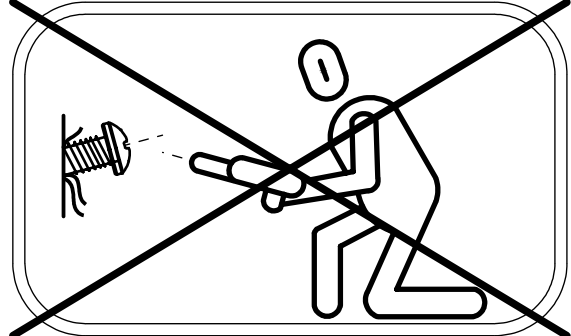
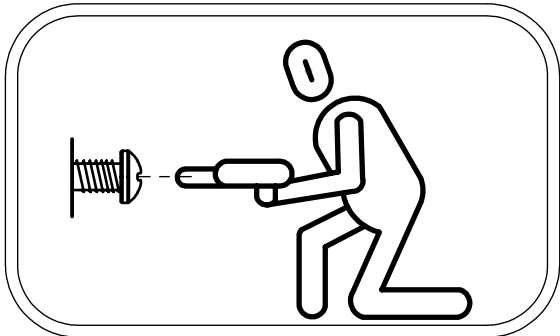


[cm]

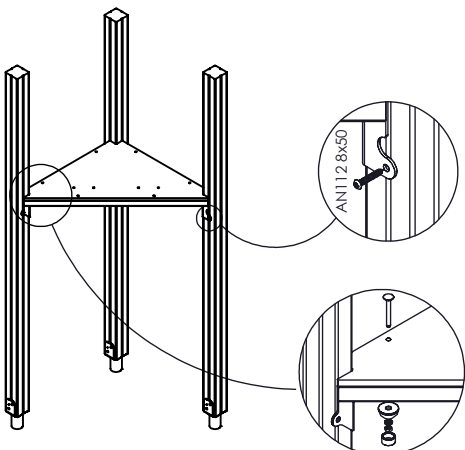
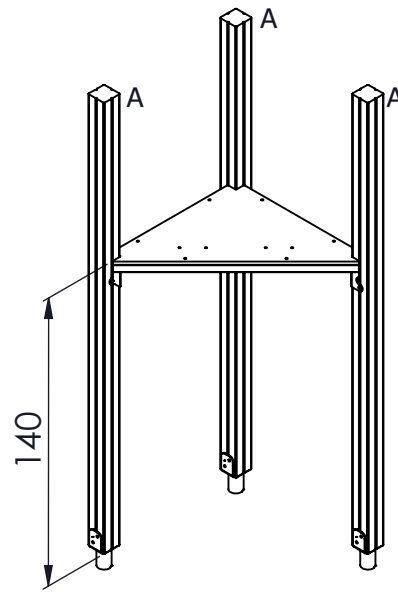
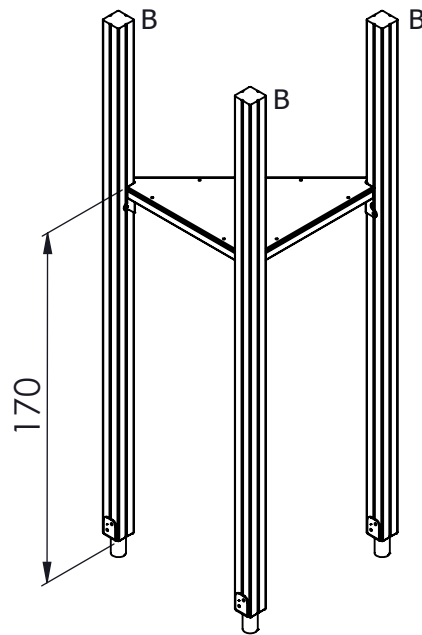
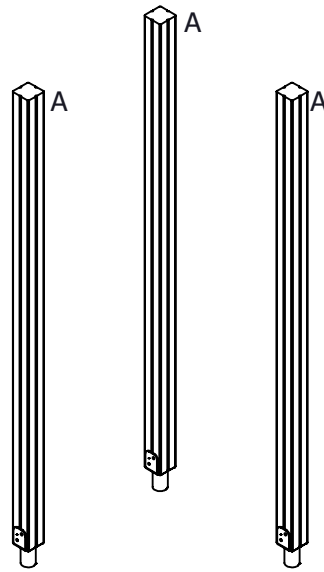
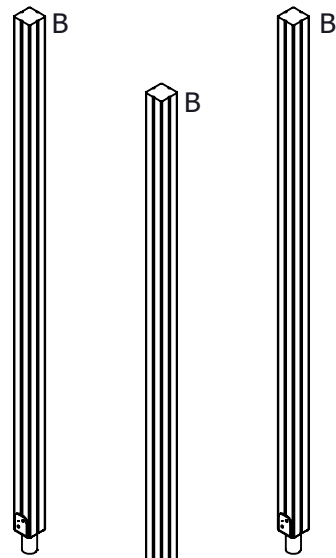
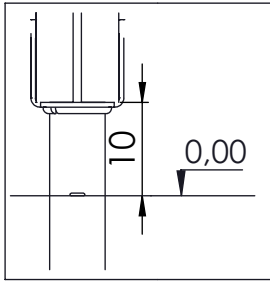
play  
Vinci



AN12 8x50 x102	PLATFORMS	
1x (WD40) WD2		
6x WD1	PLYWOOD	HPL
3x (779028) WD4	1x (E6) WD3	1x (E7) WD7
3x WD52	2x WD74	2x WD75



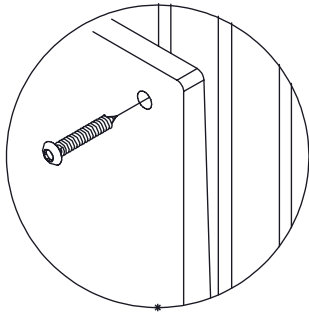
A	219 cm
B	249 cm



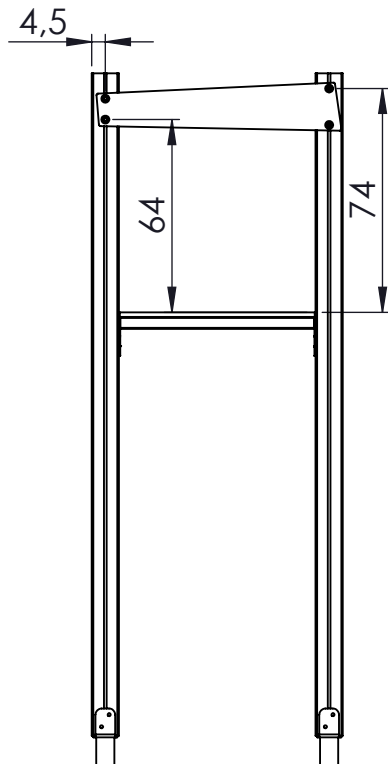
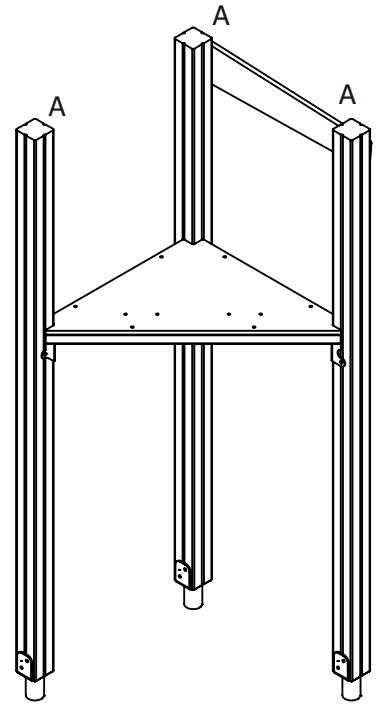
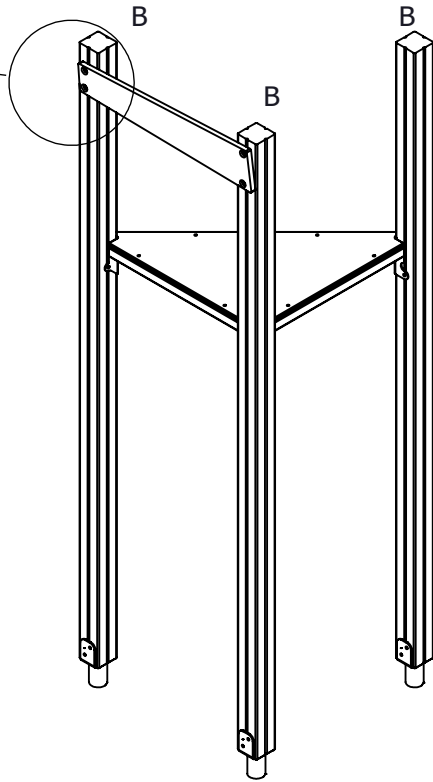
[cm]

-	PLYWOOD	HPL
2x	WD74	WD75

play  
Vinci



AN112  
8x50

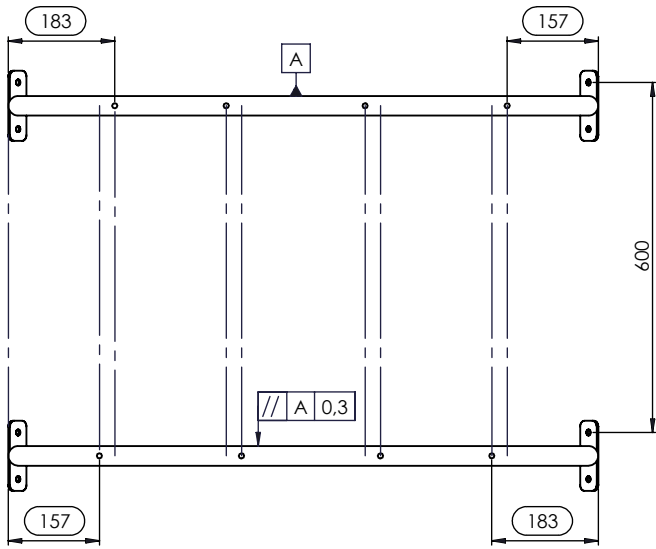


[cm]

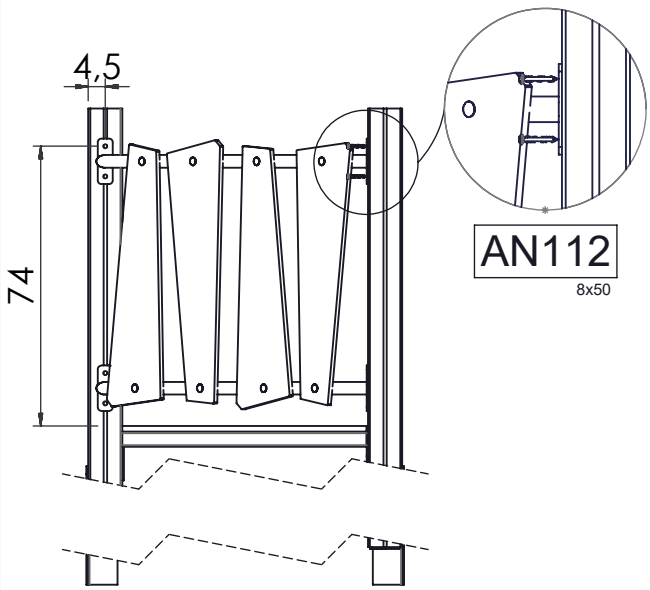
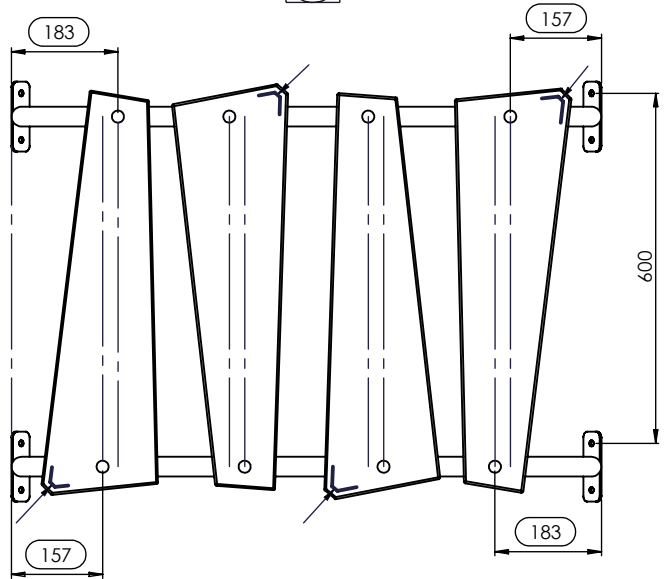
play  
Vinci



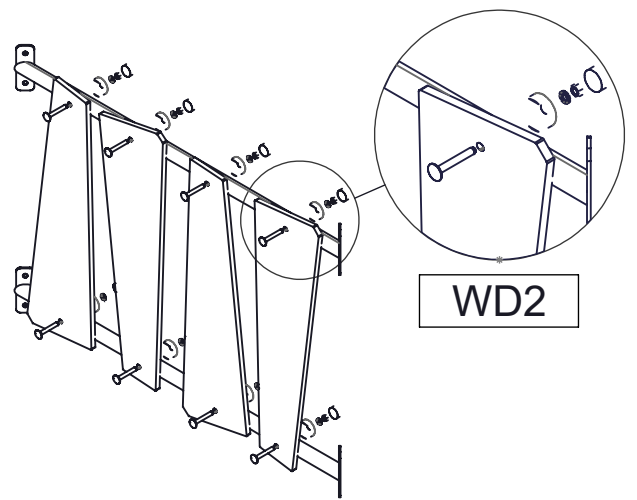
1



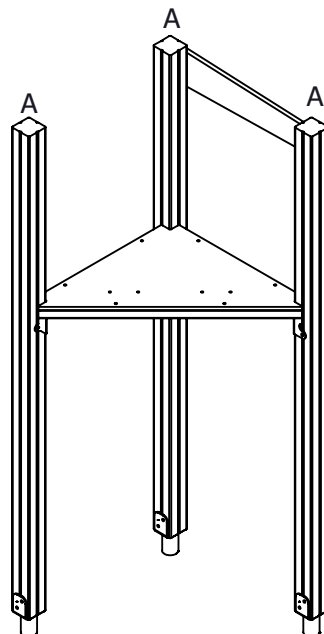
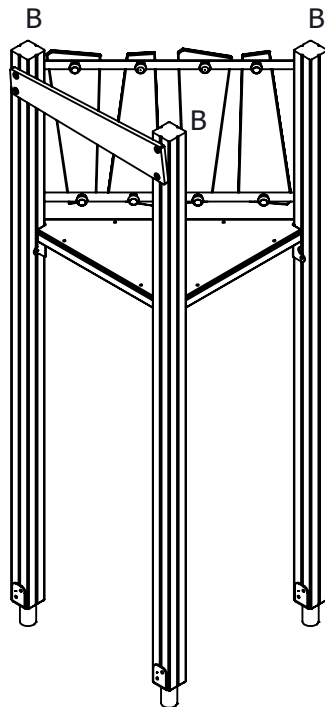
2



AN112  
8x50

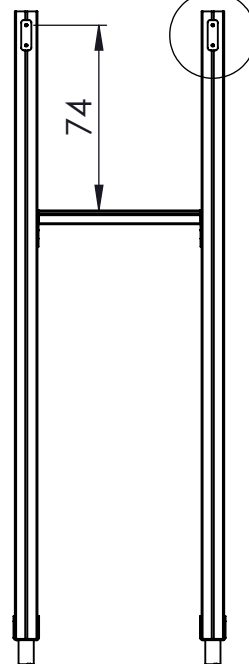
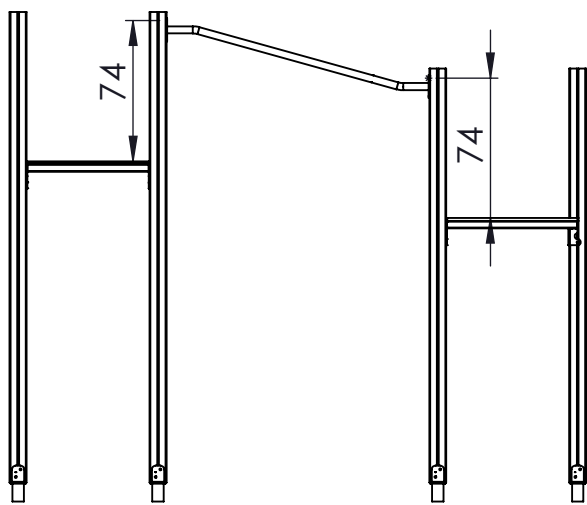
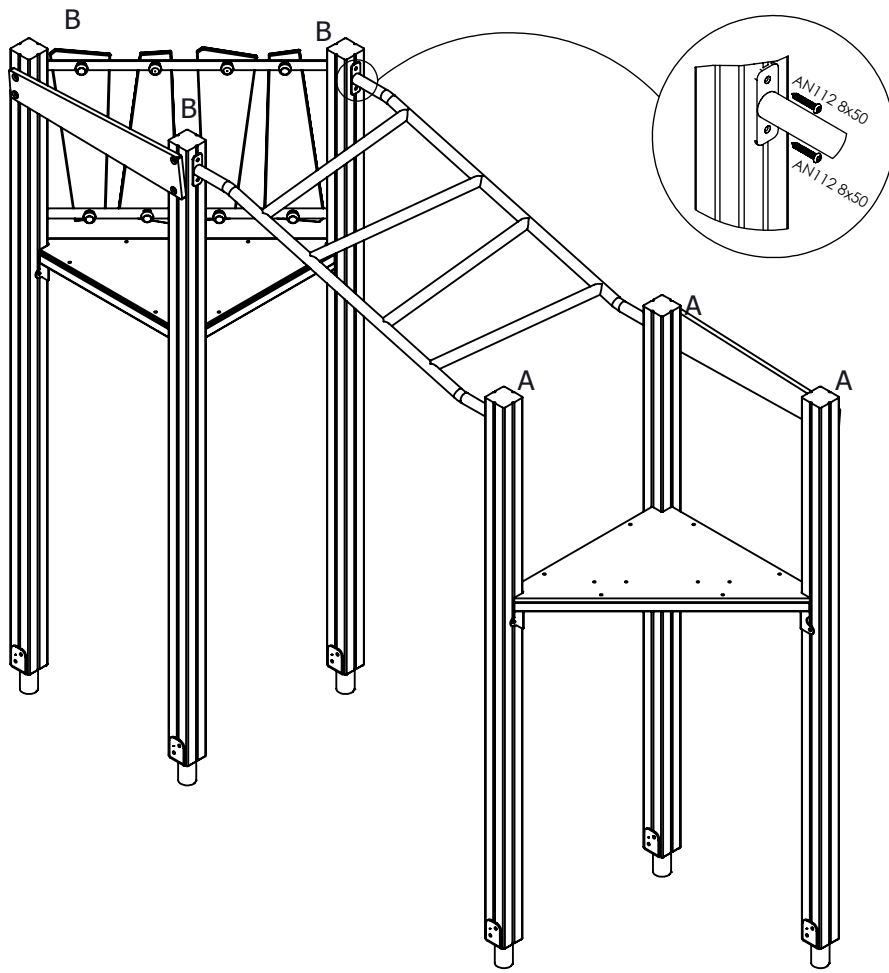


WD2



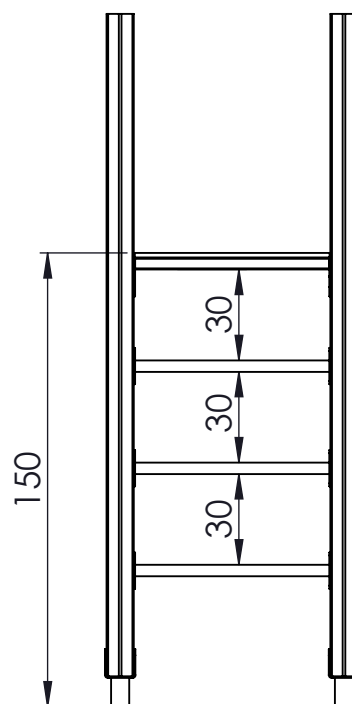
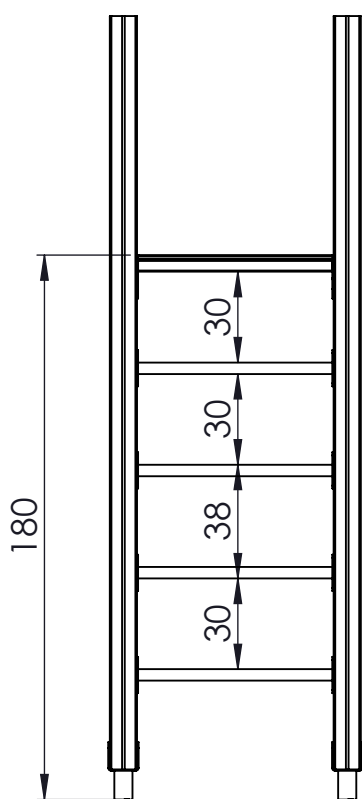
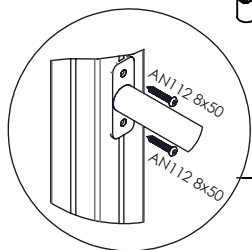
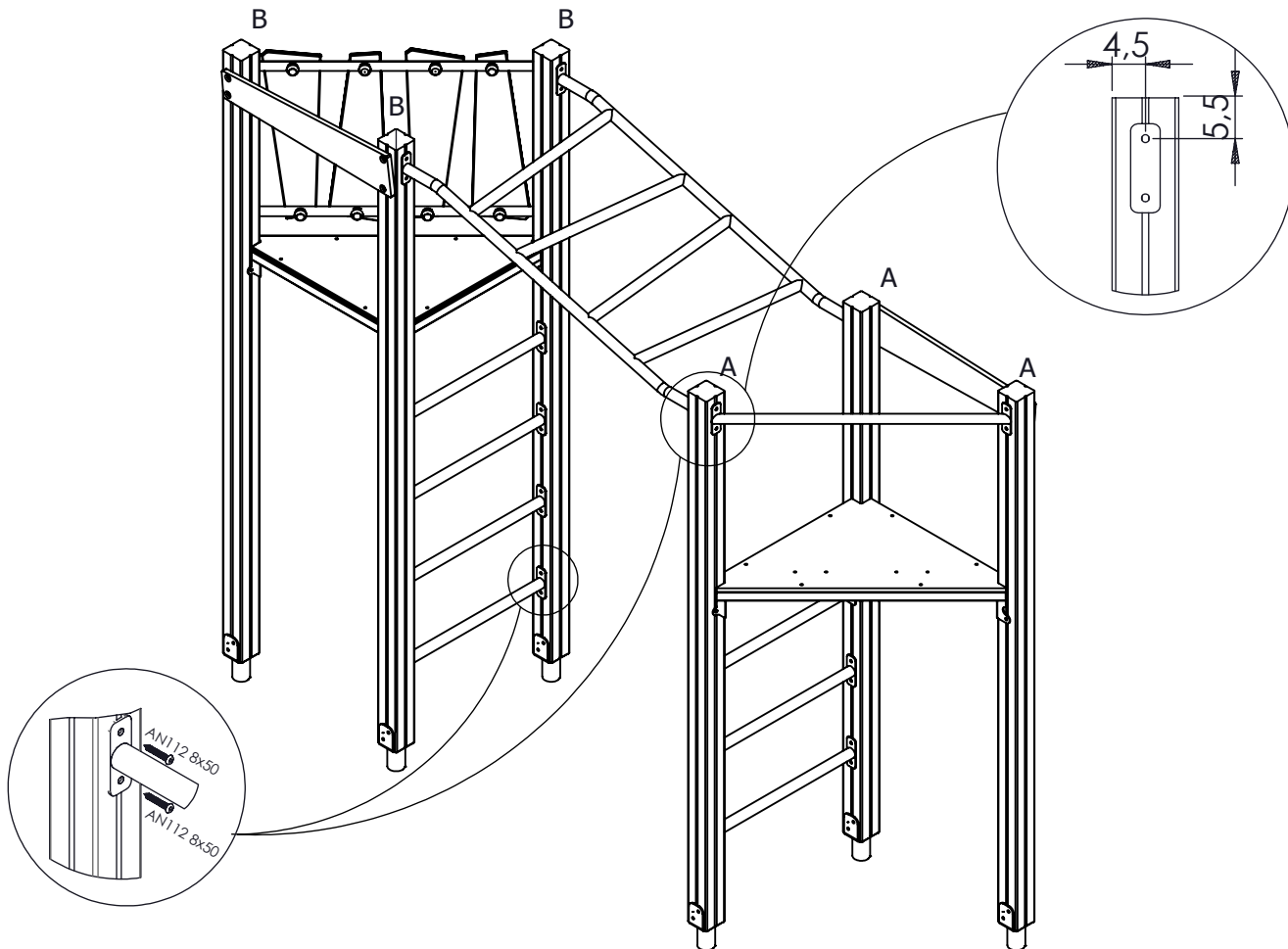
[cm]

play  
vinici



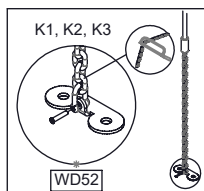
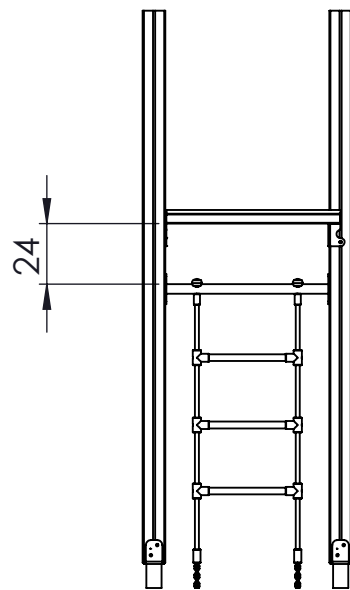
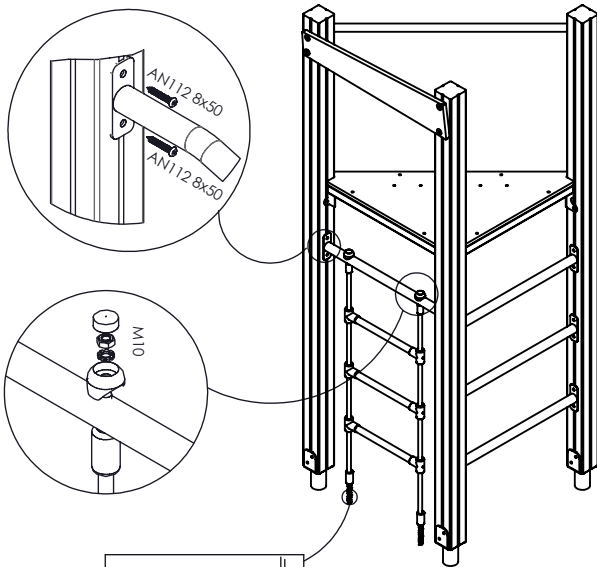
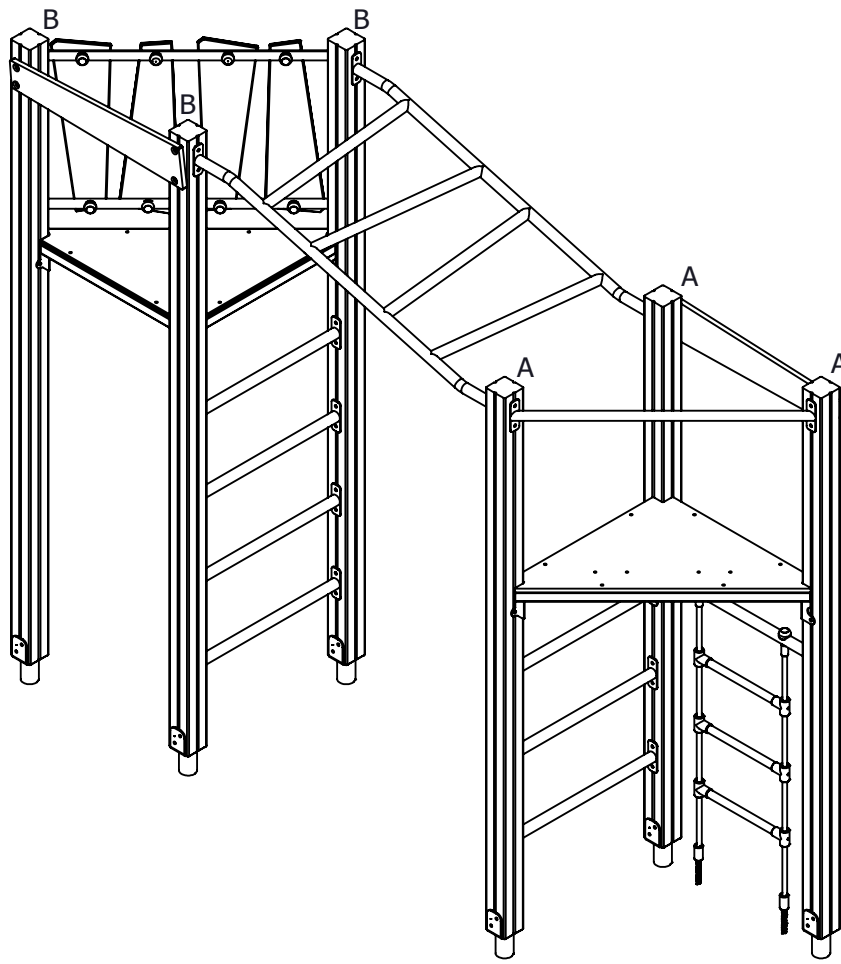
[cm]

play  
Vinci

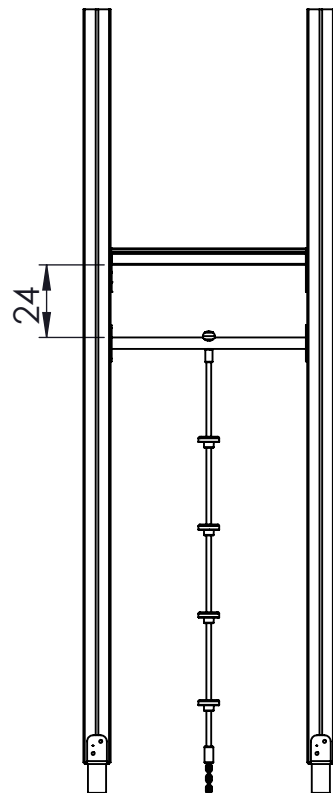
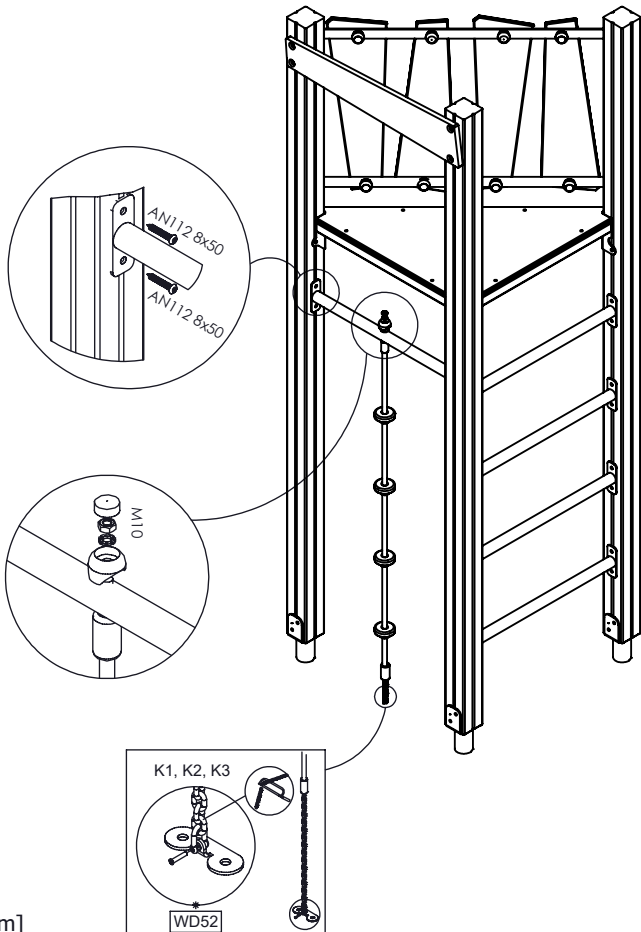
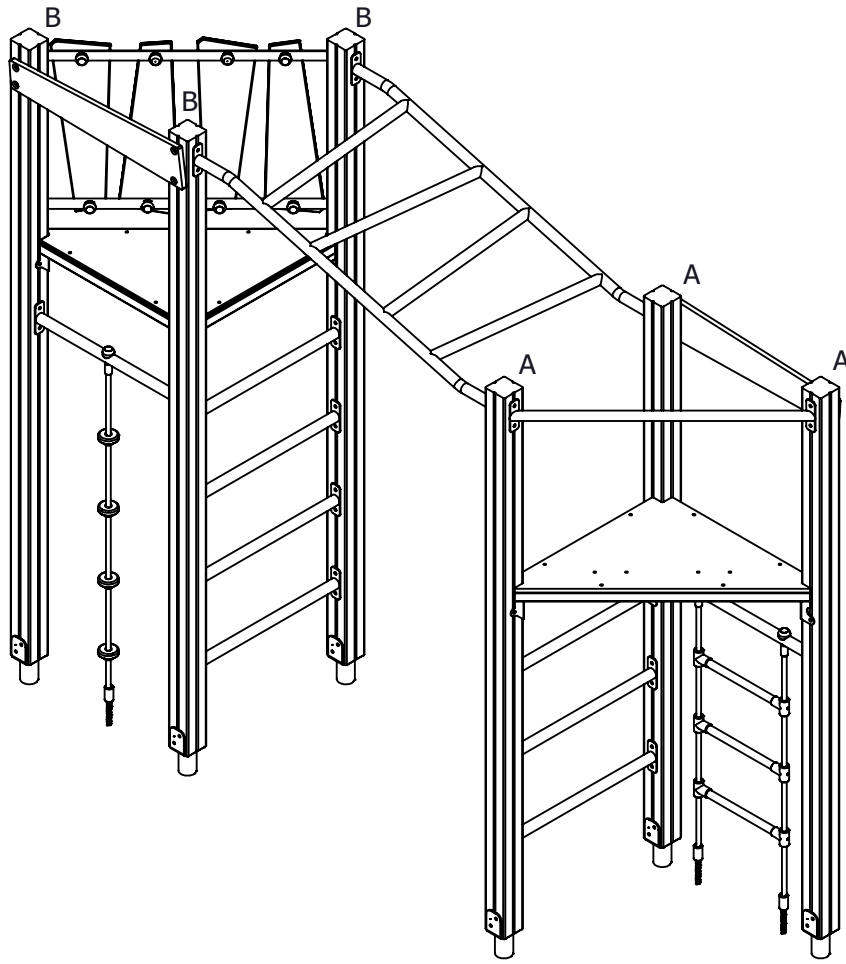


[cm]

play  
Vinci

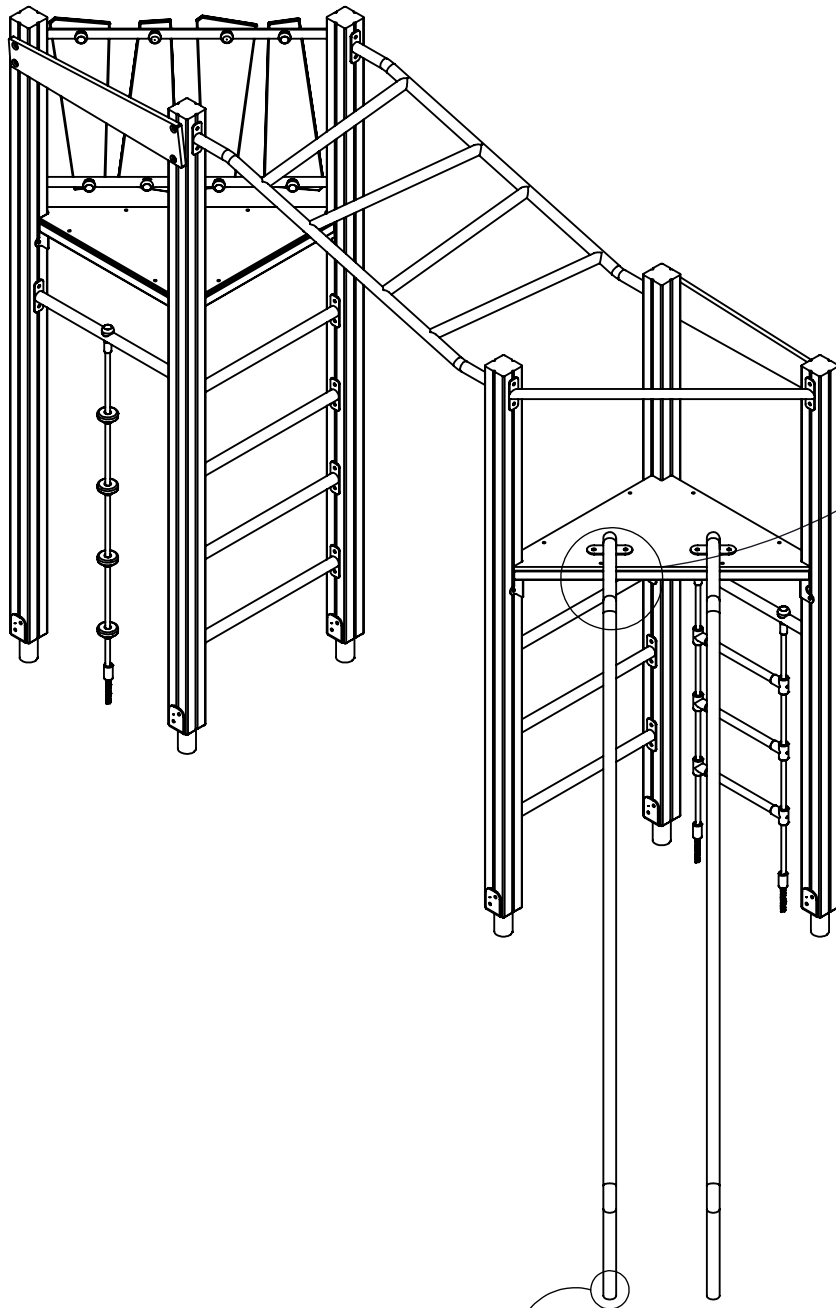


[cm]

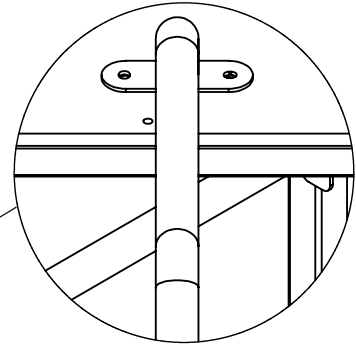


[cm]

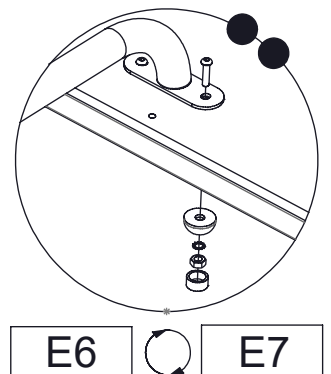
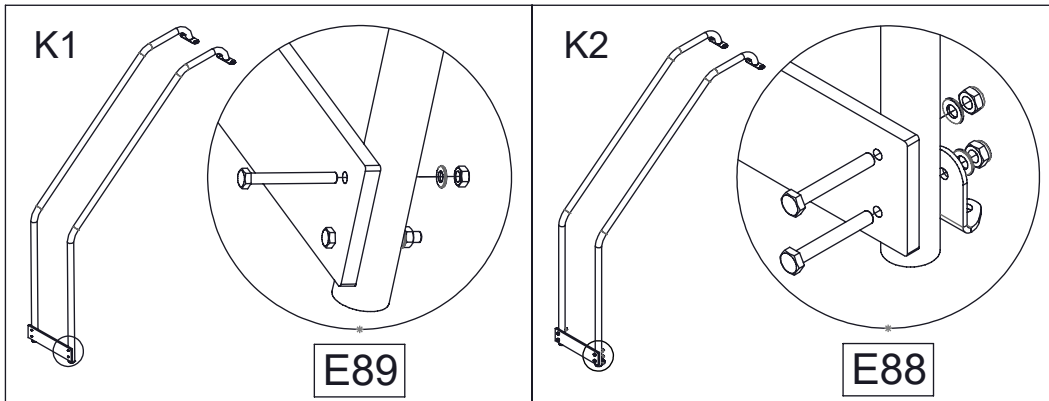
play  
vinici

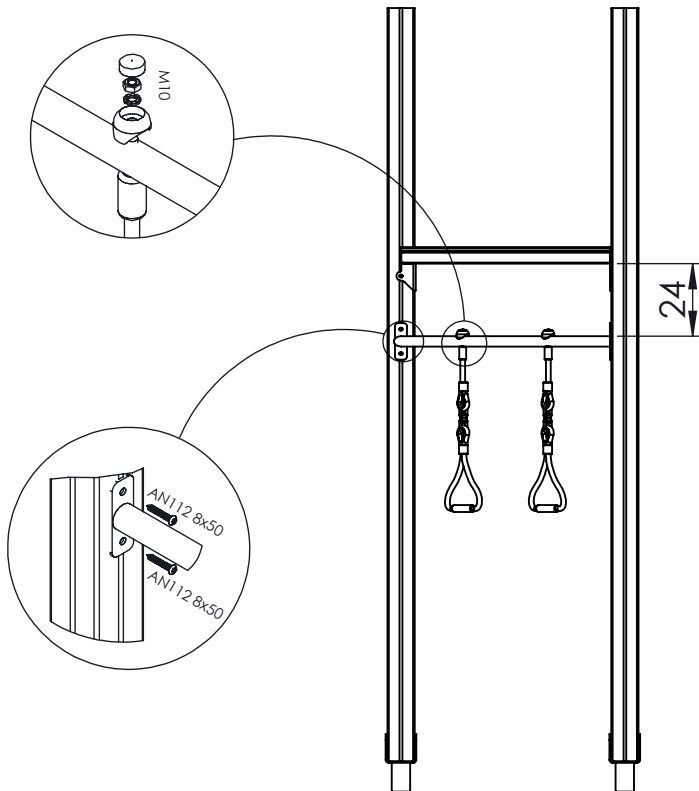
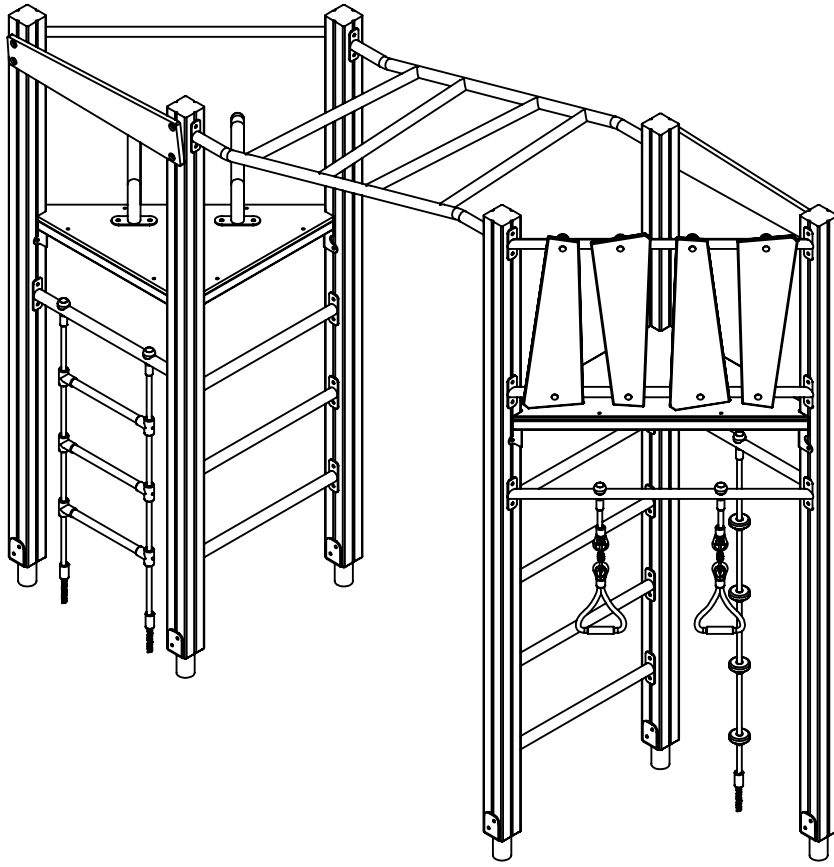


-	PLYWOOD	HPL
1x	(E6) WD3	(E7) WD7

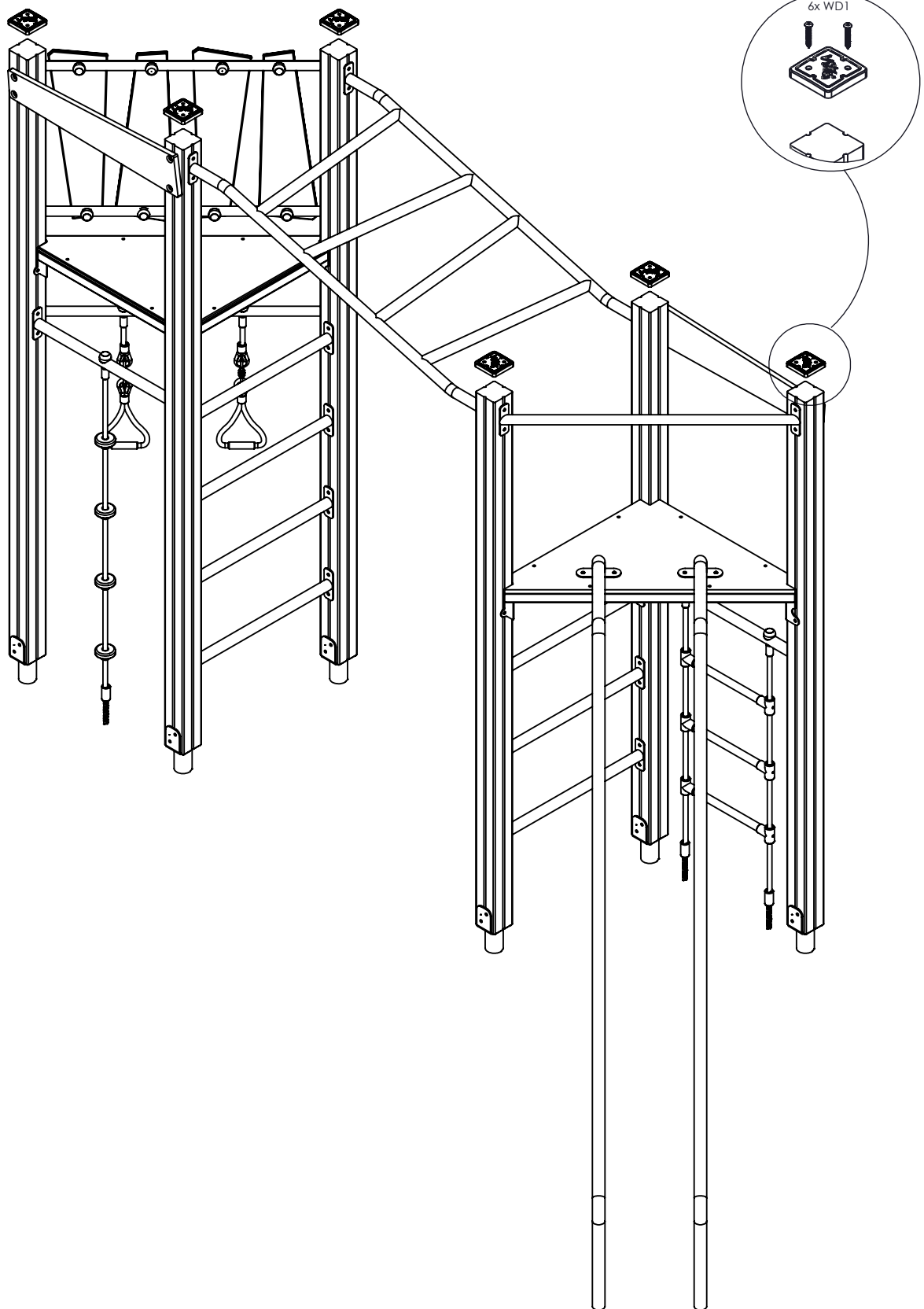


K1/K2/K3

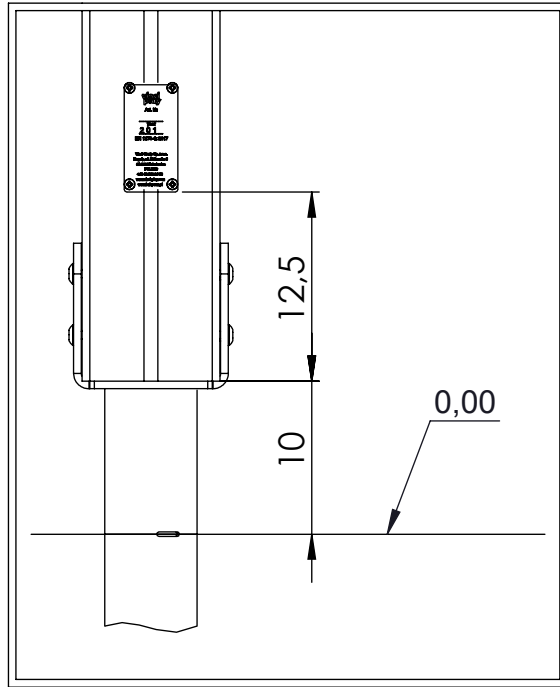




[cm]







V001

