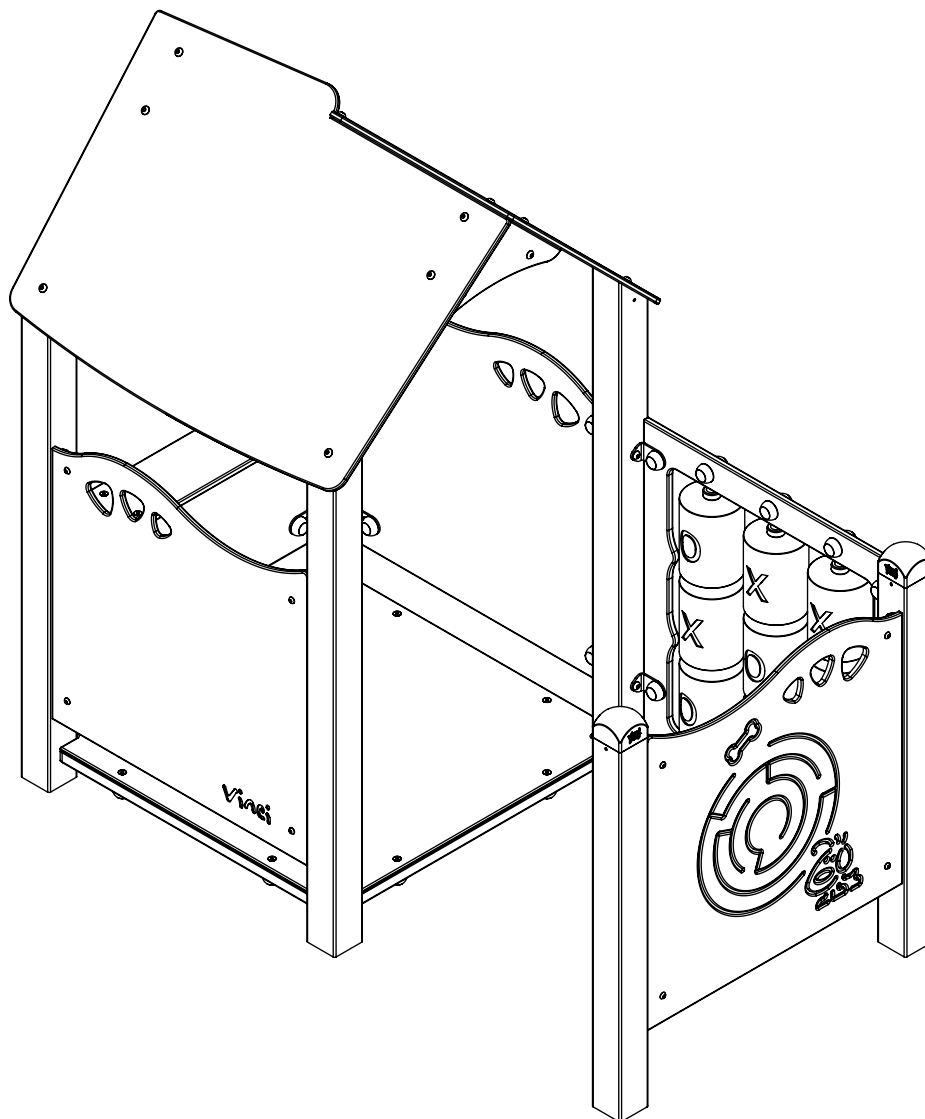


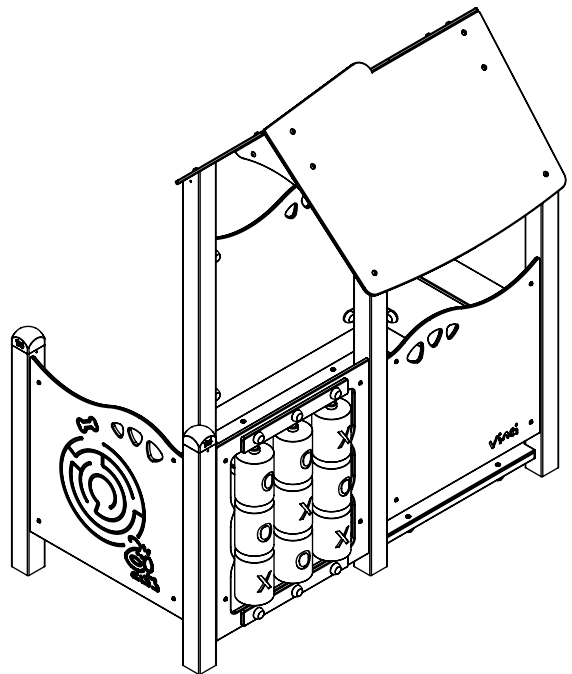
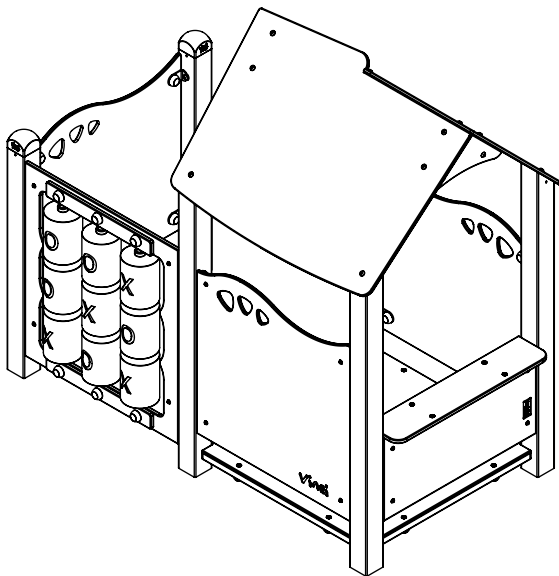
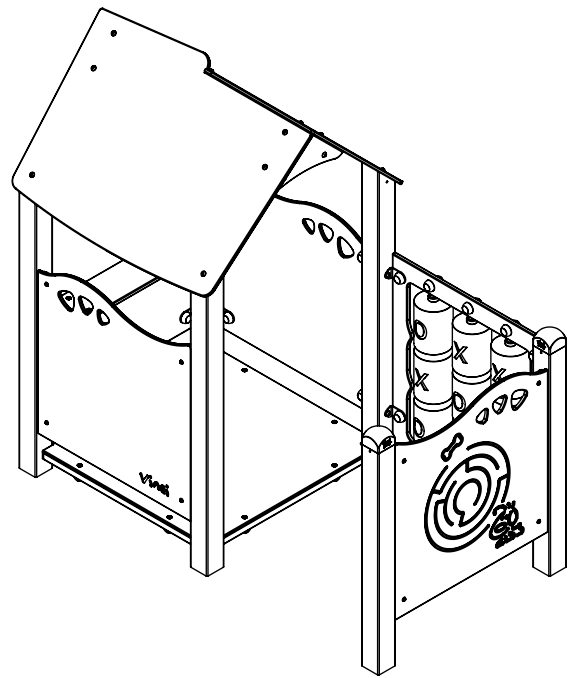
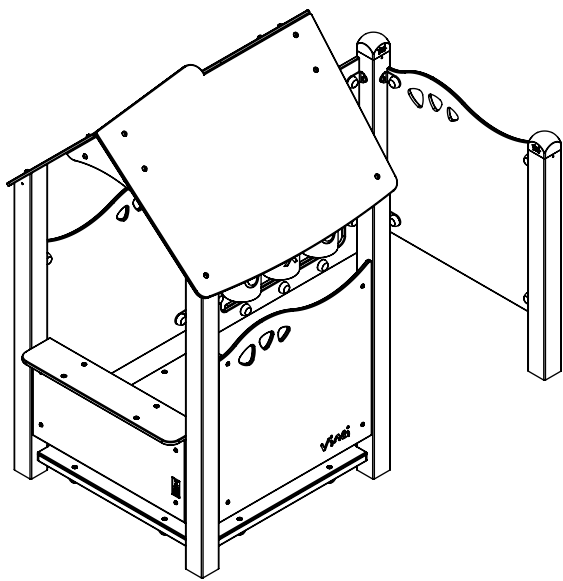
0815-2



v012
14.04.2021
A. H.
[cm]

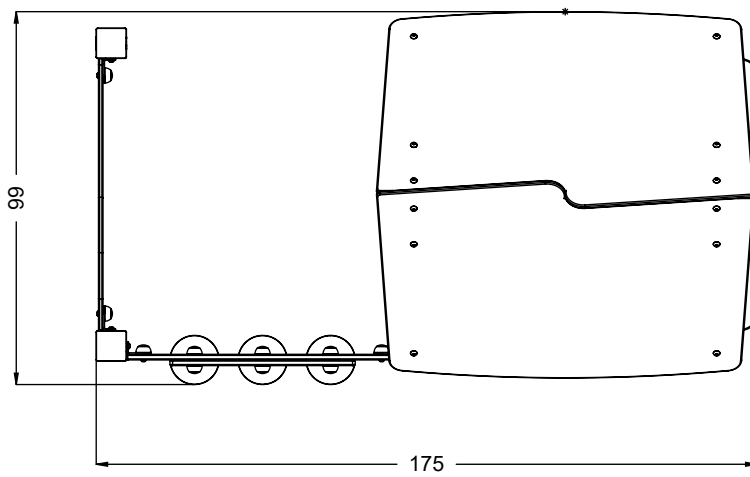
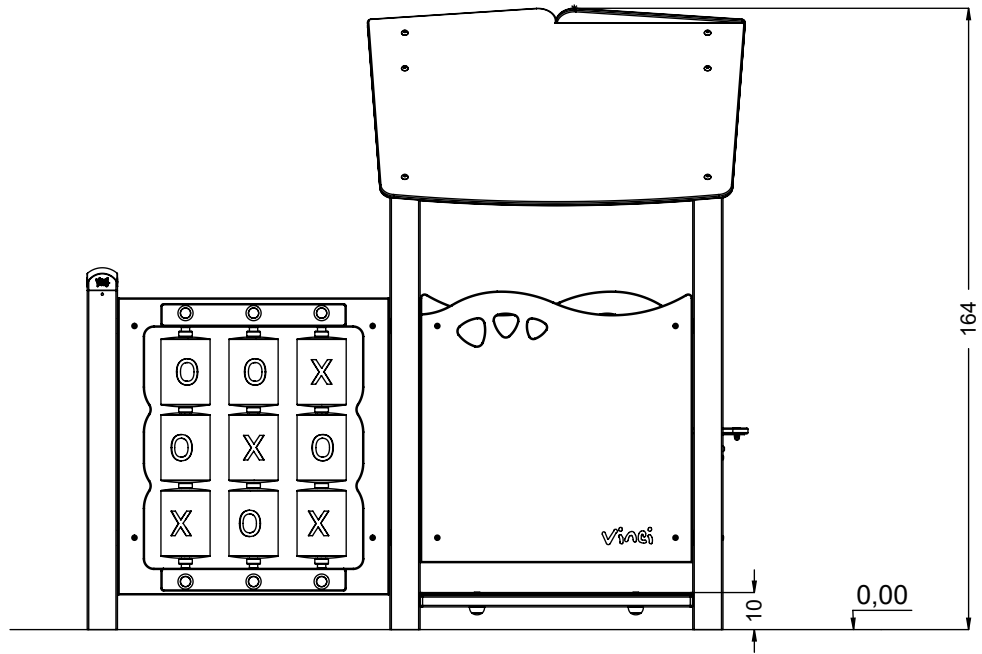


vinci
play



[cm]

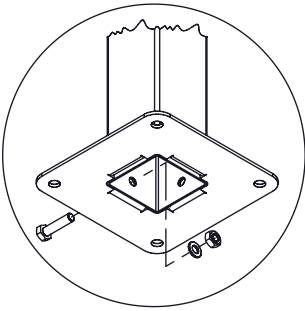
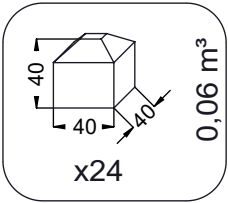
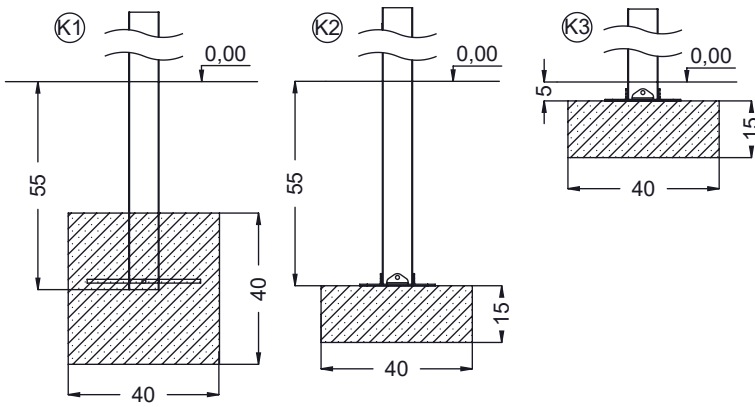
vinci
play



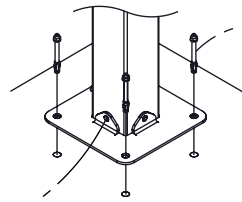
[cm]



vinci
play



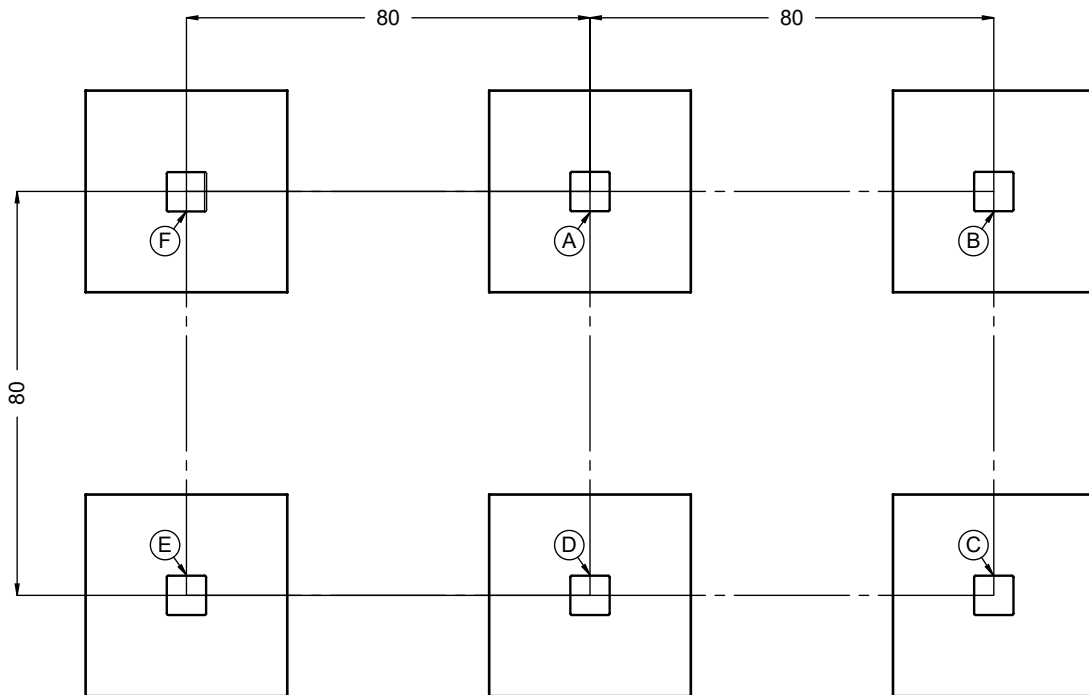
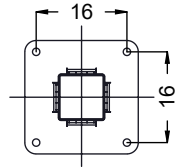
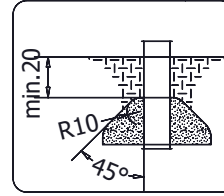
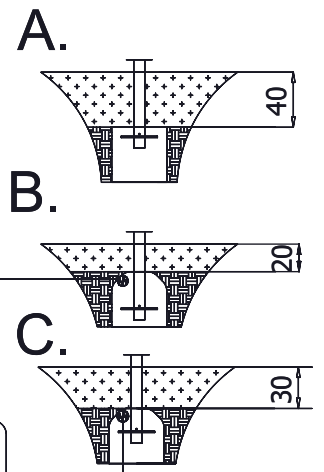
E37



24x M10x120 (K2)
24x M10x120 (K3)



NOT INCLUDED



[cm]



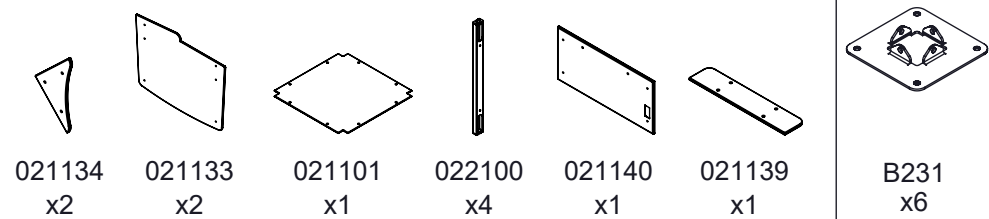
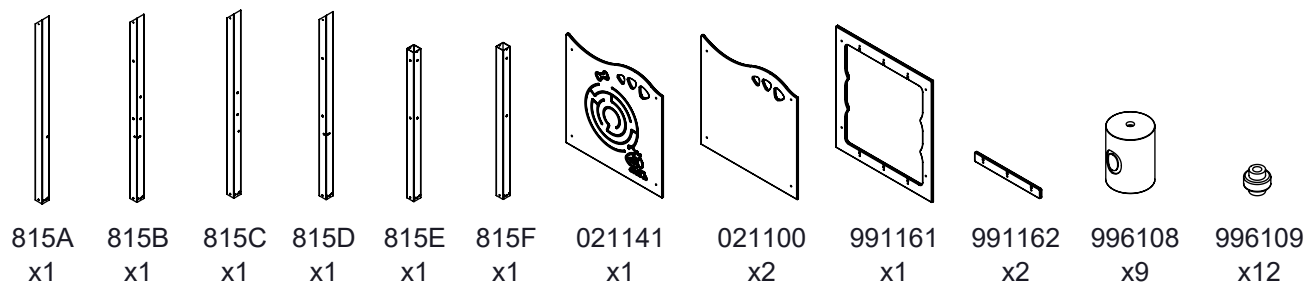
3h



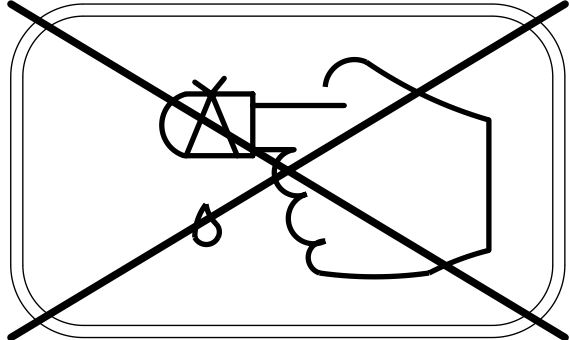
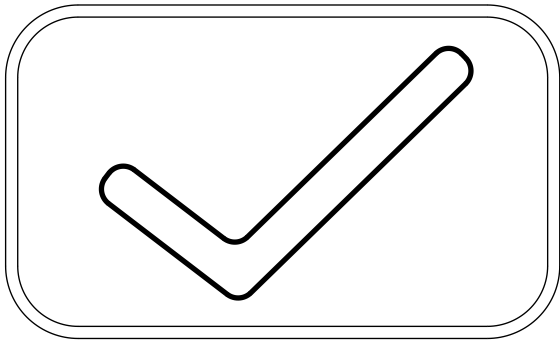
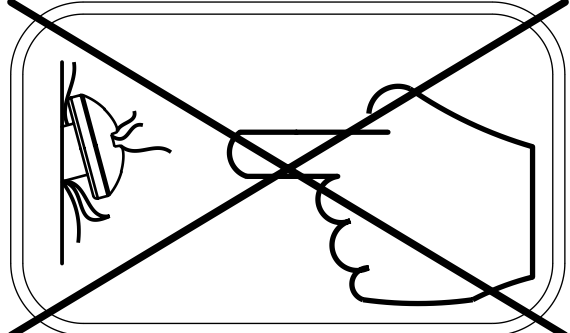
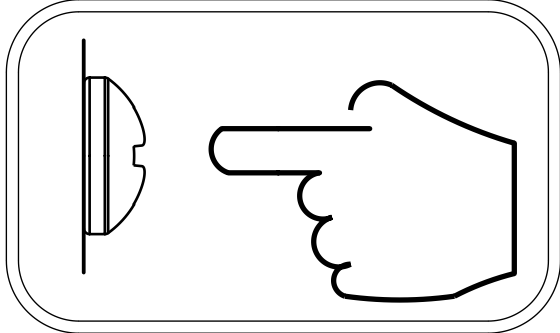
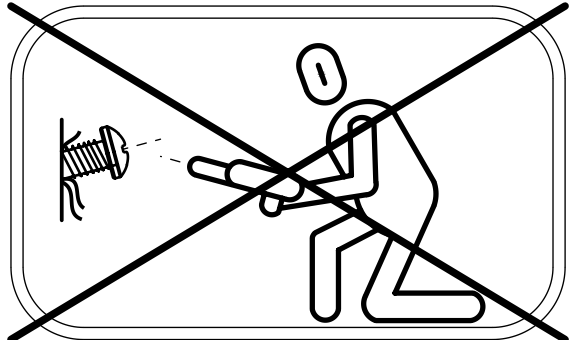
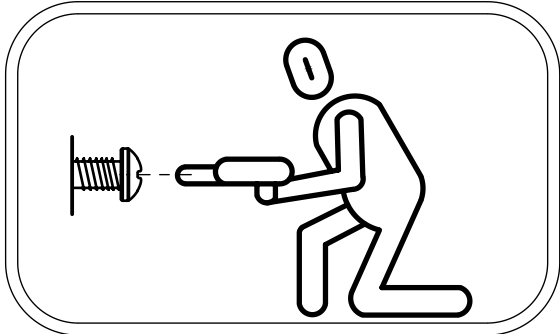
48h

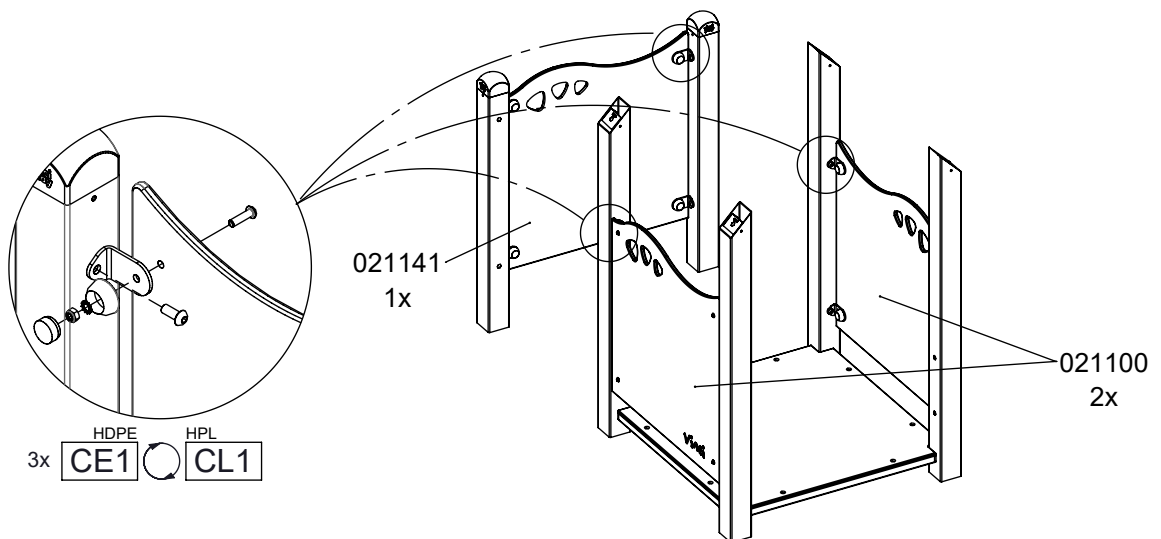
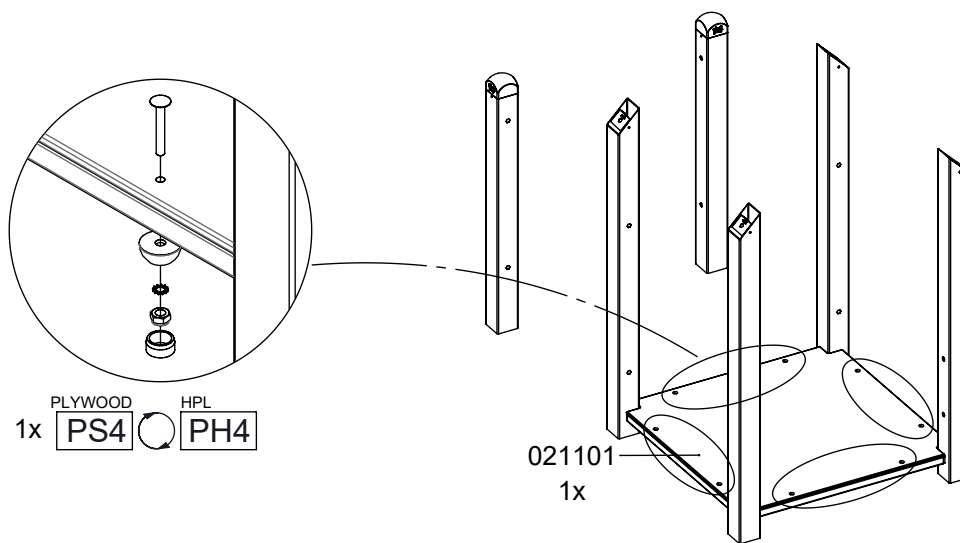
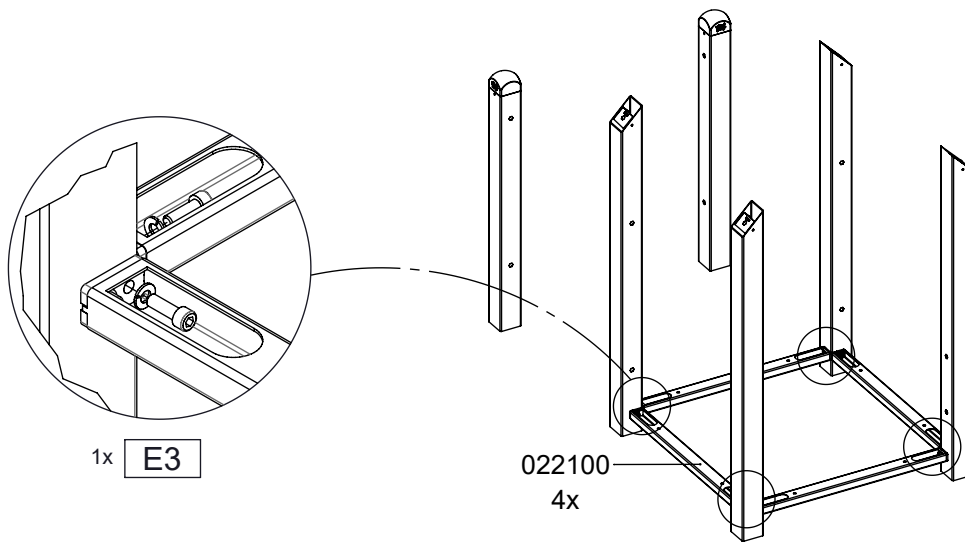


vinci
play



ST/INOX		PLYWOOD / HDPE		HPL	
	E37 (K2, K3)	3x	CE1	3x	CL1
1x	E3	2x	CE4	2x	CL4
1x	V001	1x	CE2	1x	CL2
		1x	CE6	1x	CL6
		1x	PS4	1x	PH4
		1x	CE111	1x	CL111
		1x	CE19	1x	CL19

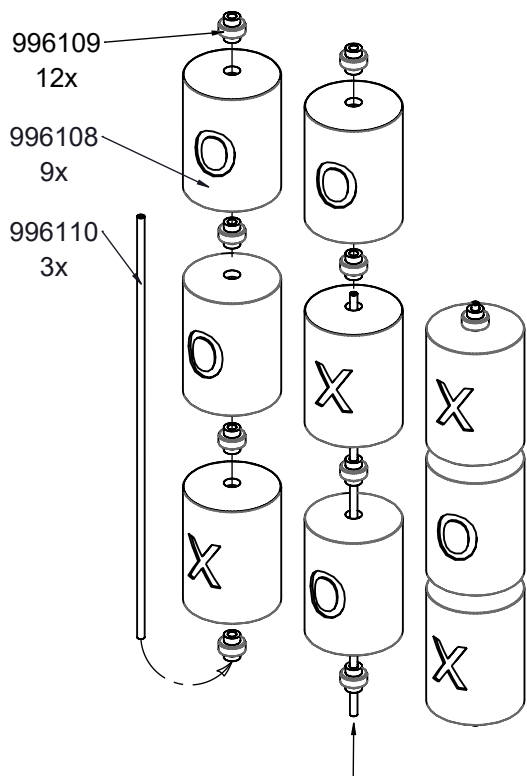




[cm]



vinci
play



996109

12x

996108

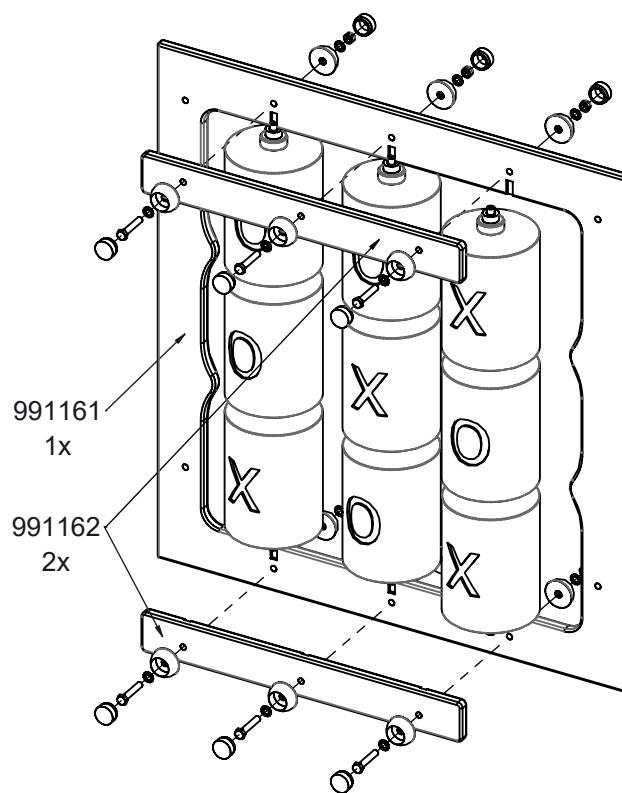
9x

996110

3x

1x ^{HDPE} CE19

1x ^{HPL} CL19

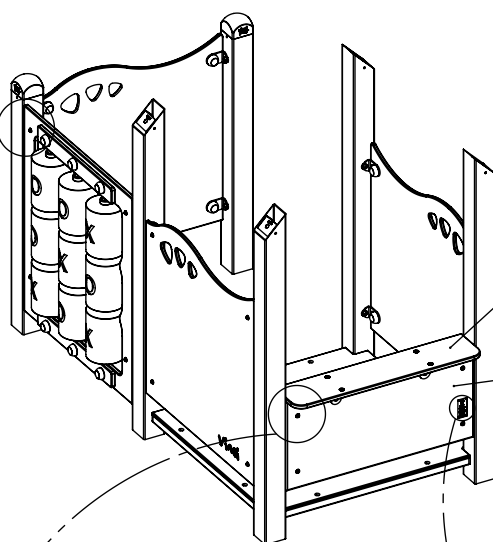


991161

1x

991162

2x

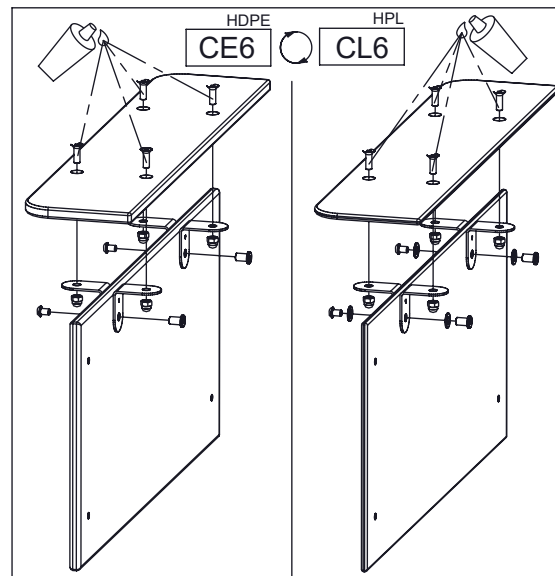


021139

1x

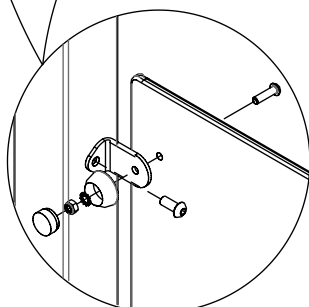
021140

1x



1x ^{HDPE} CE6

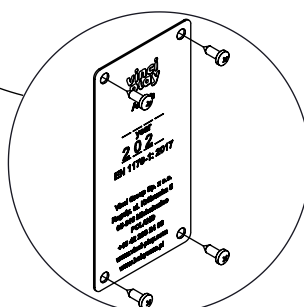
1x ^{HPL} CL6



2x

^{HDPE} CE4

^{HPL} CL4

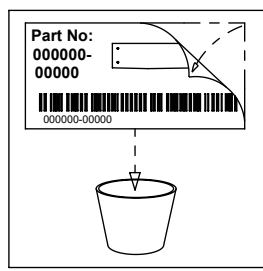
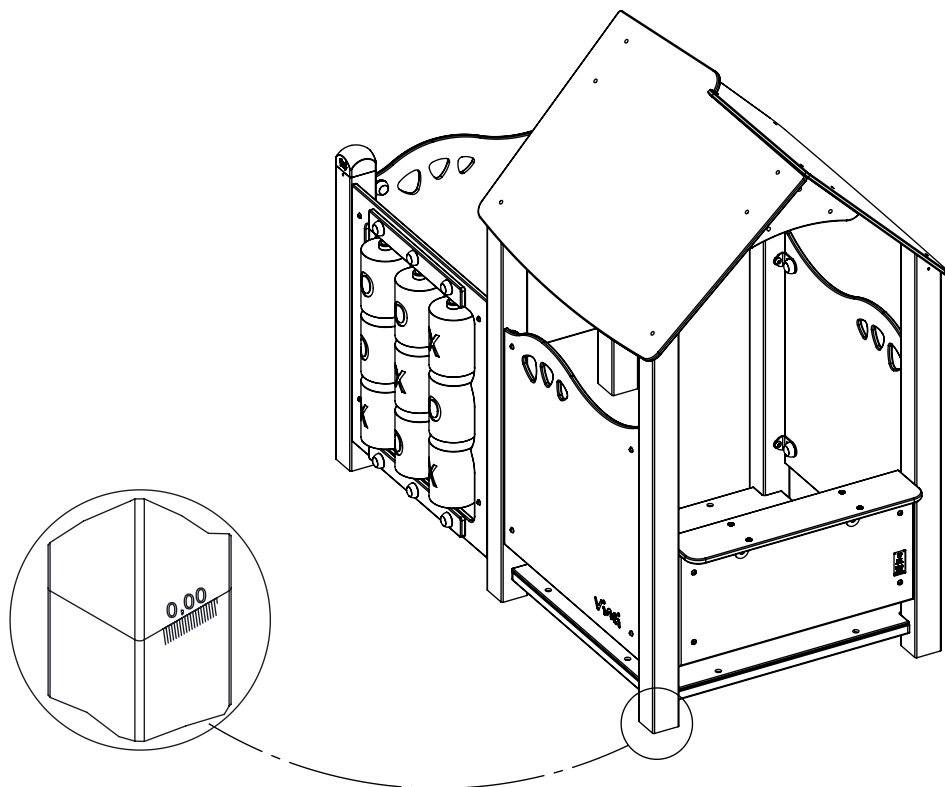
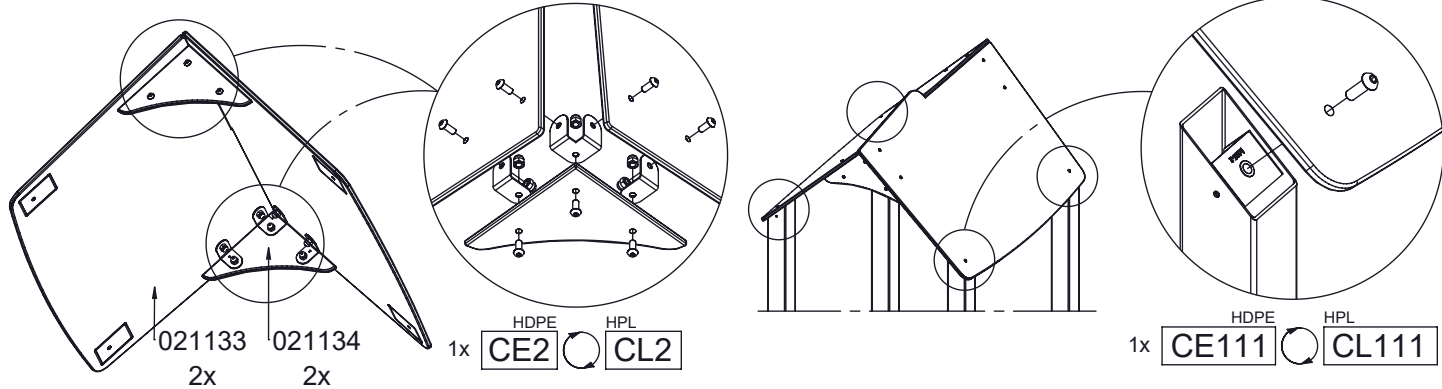


V001

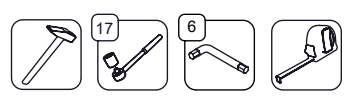
[cm]



vinci
play



[cm]



vinci
play