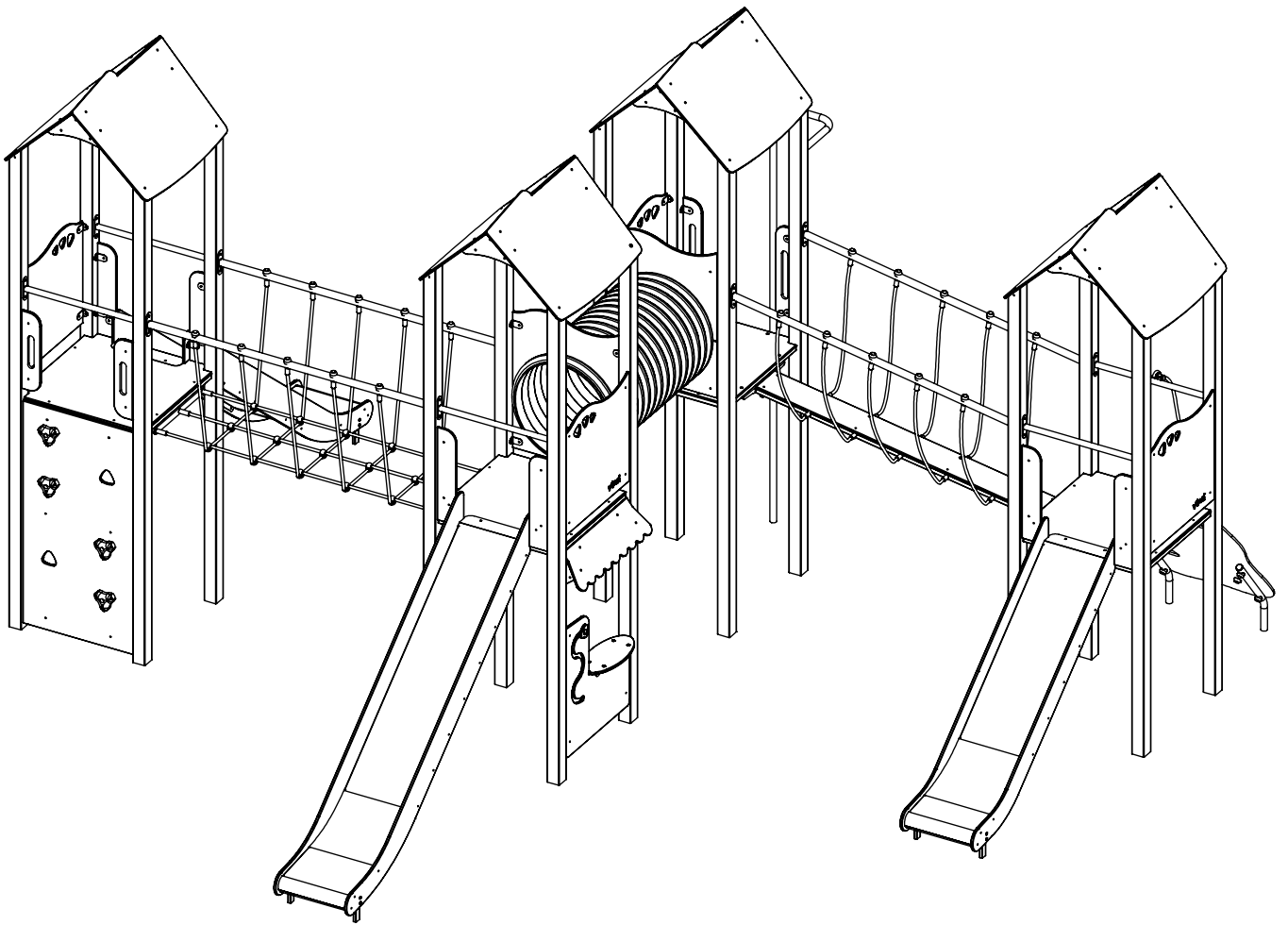
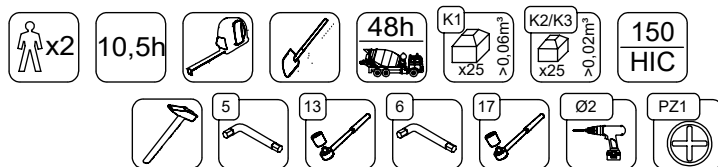


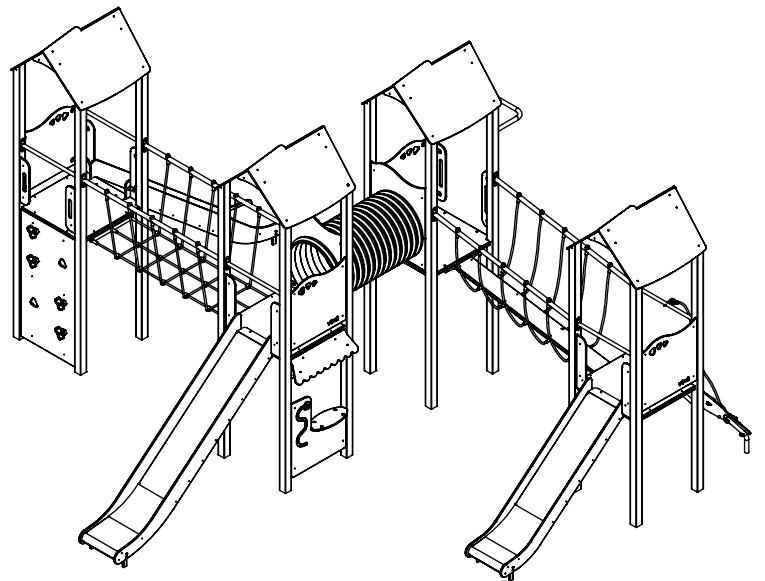
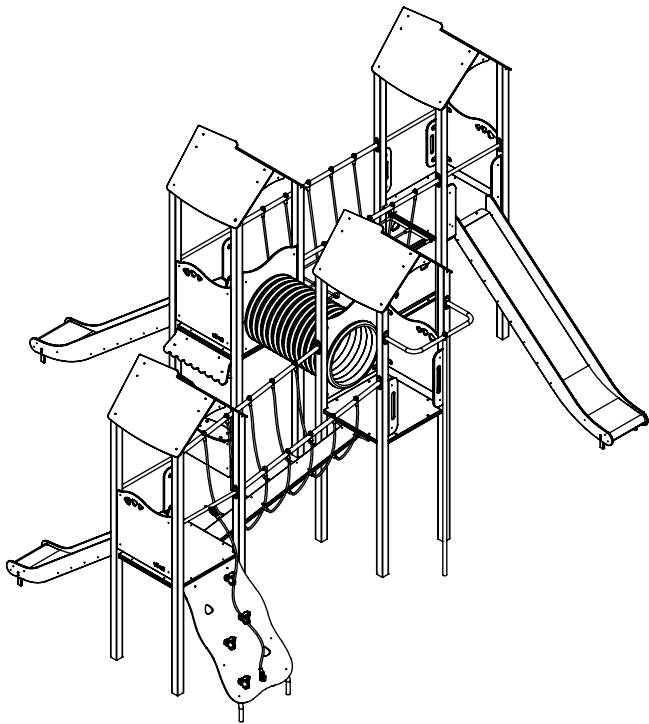
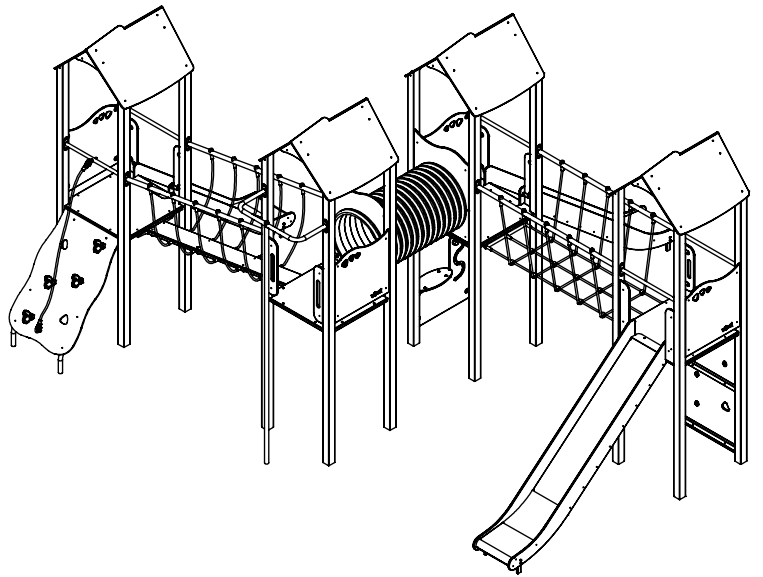
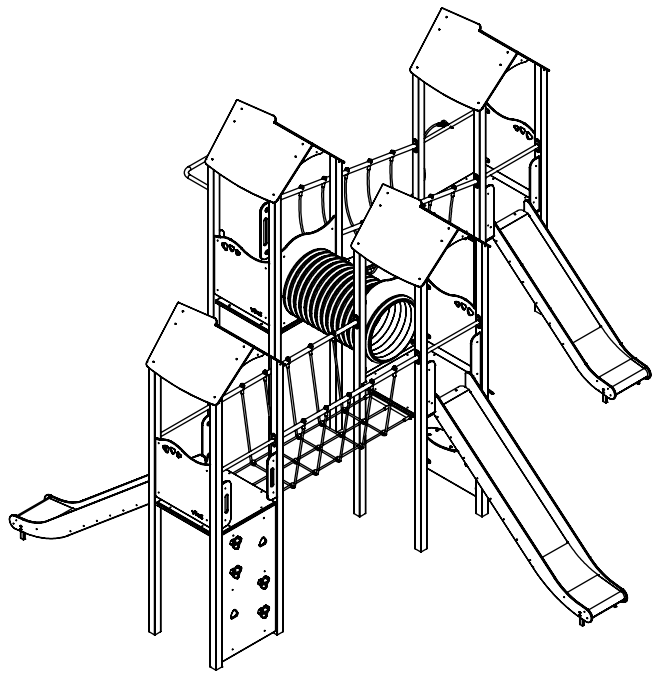
# 0209



v012  
17.05.2021  
A. P.  
[cm]

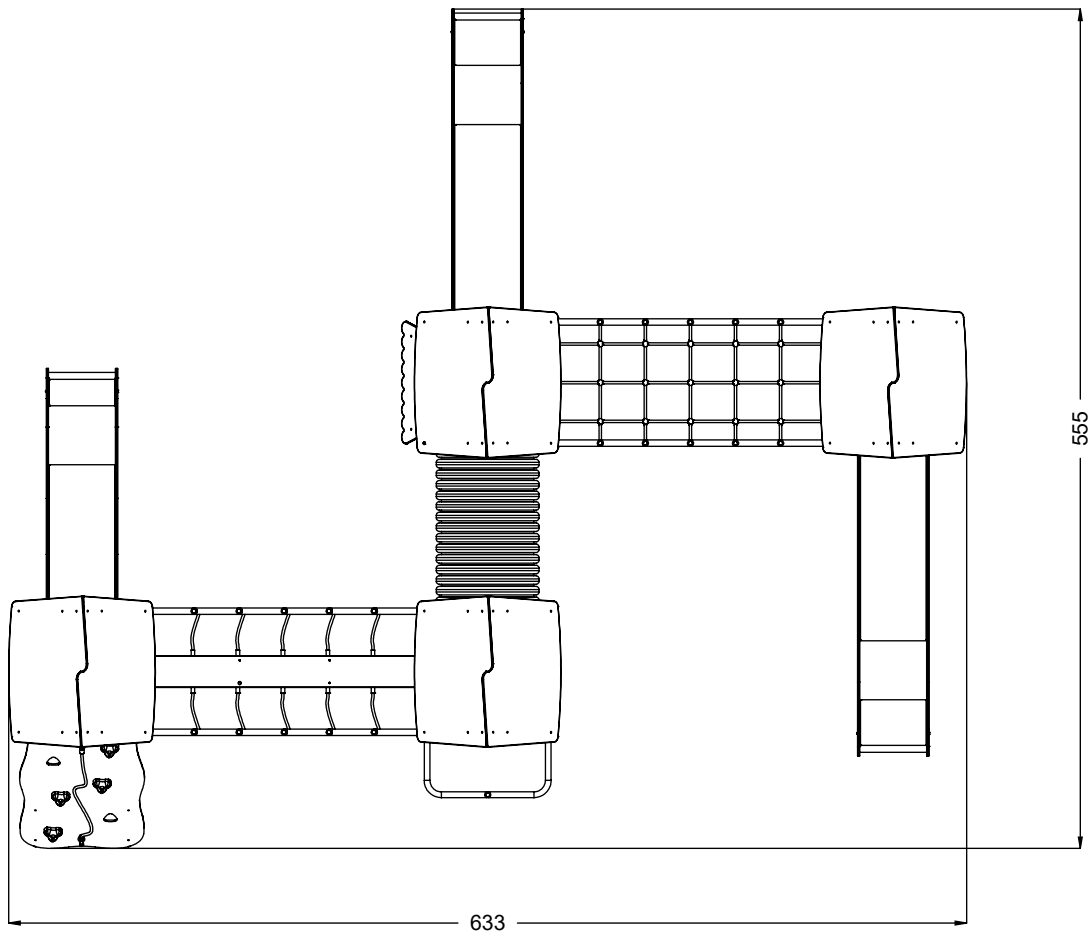
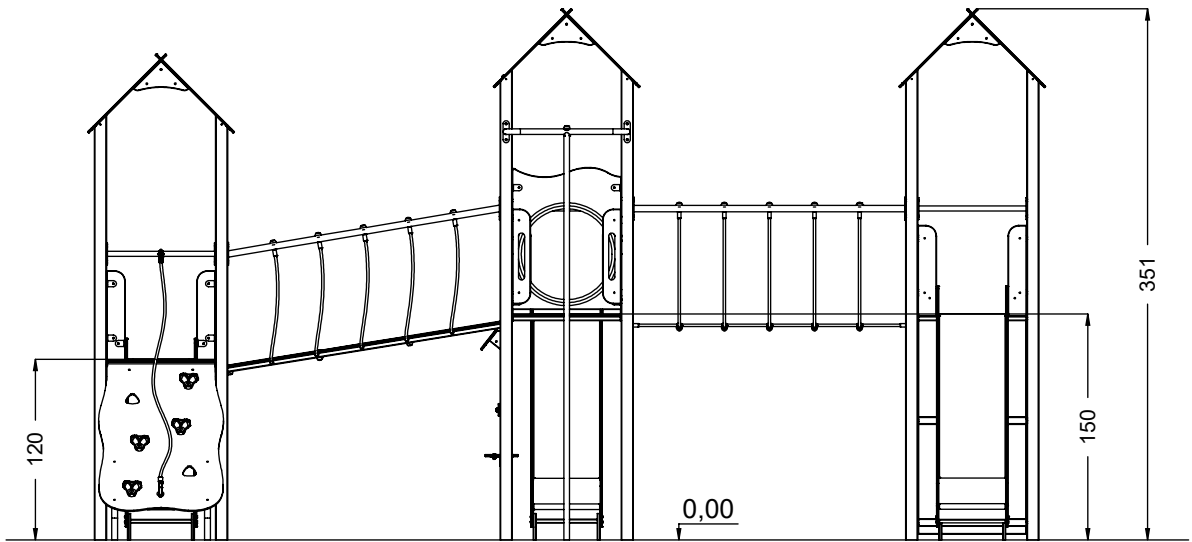


vinci  
play



[cm]

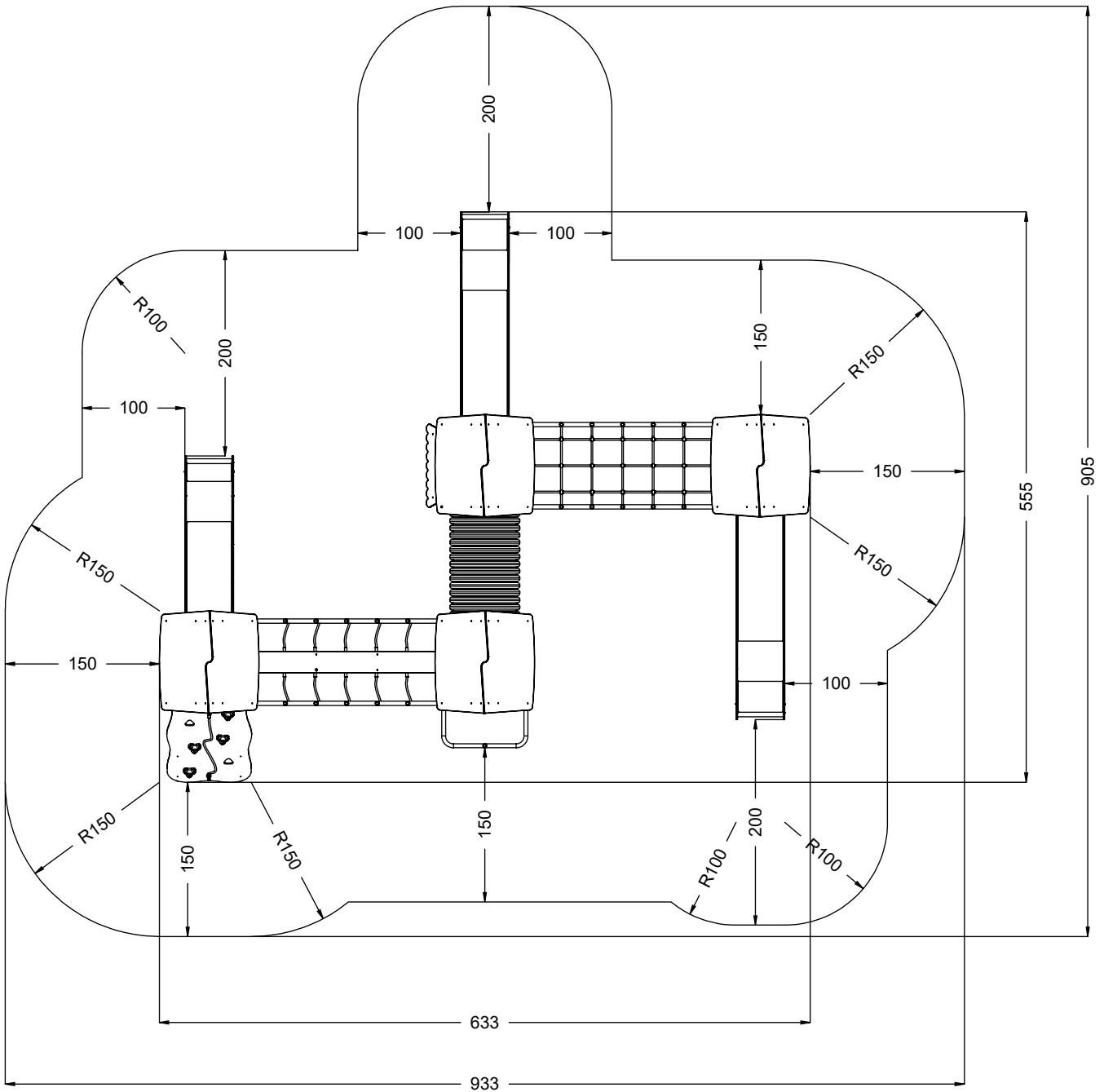
vinci  
play



[cm]



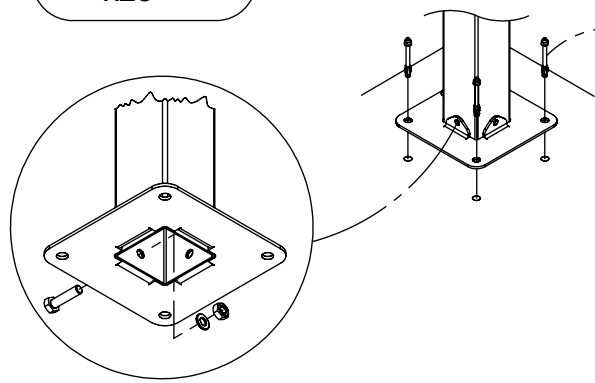
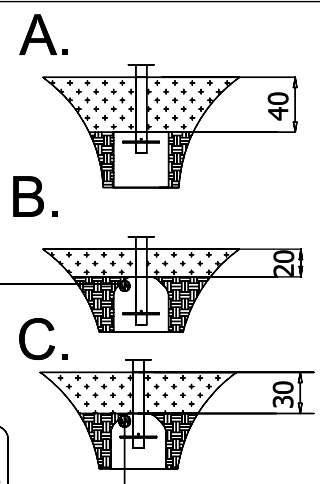
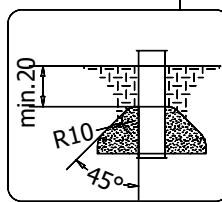
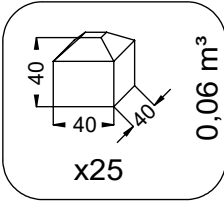
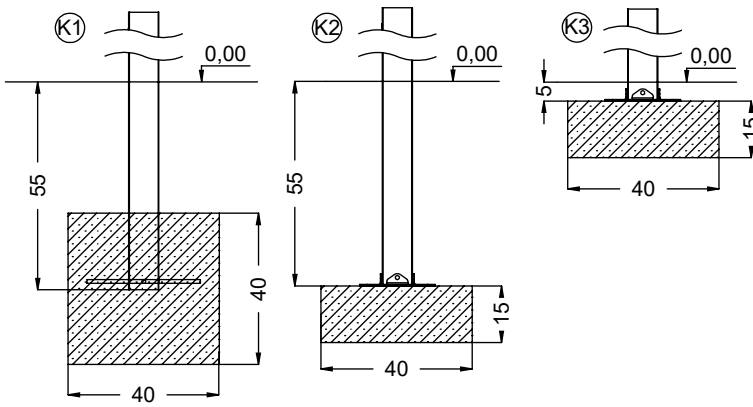
vinci  
play

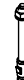







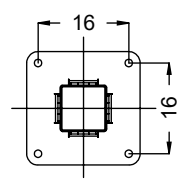
[cm]



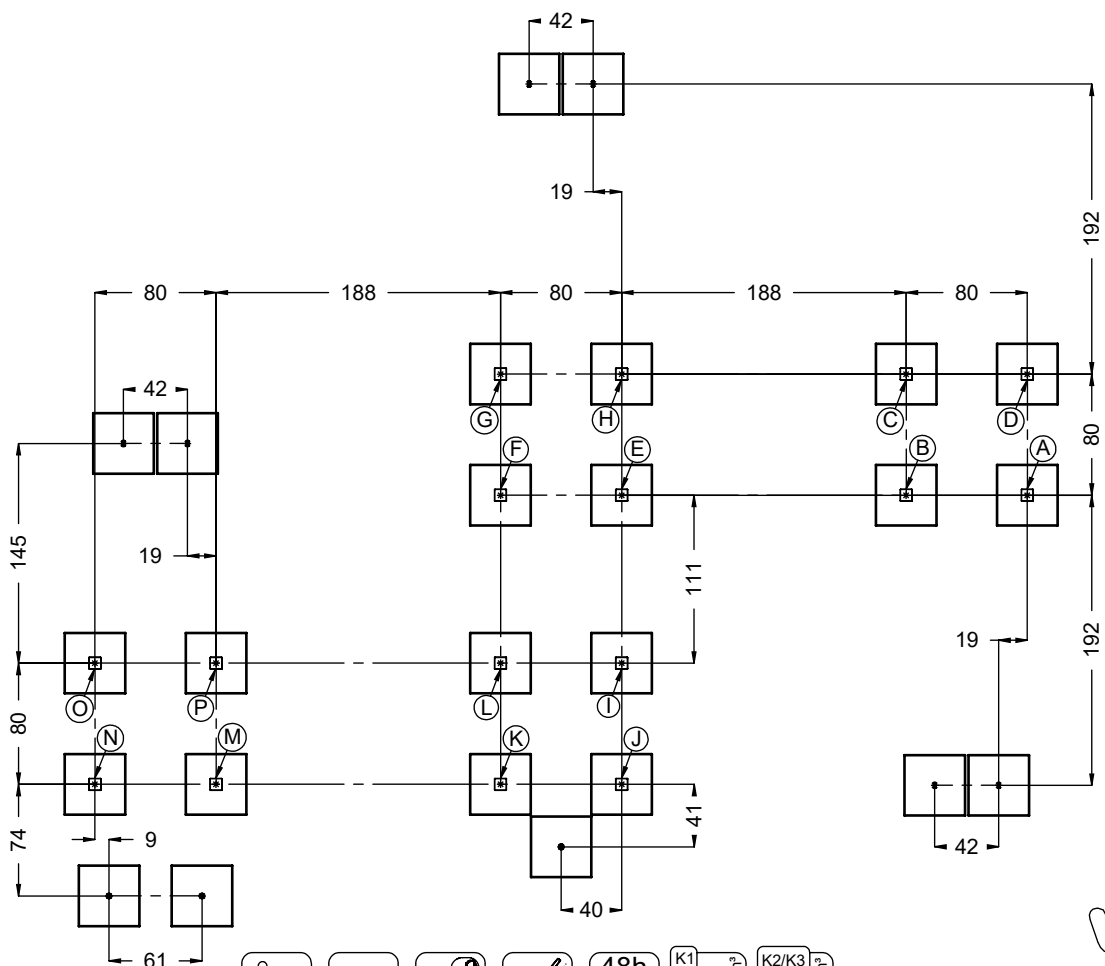
vinci  
play



64x M10x120 (K2)	10x M8x120 (K2)
68x M10x120 (K3)	6x M8x120 (K3)
	
	
<b>NOT INCLUDED</b>	<b>NOT INCLUDED</b>
	



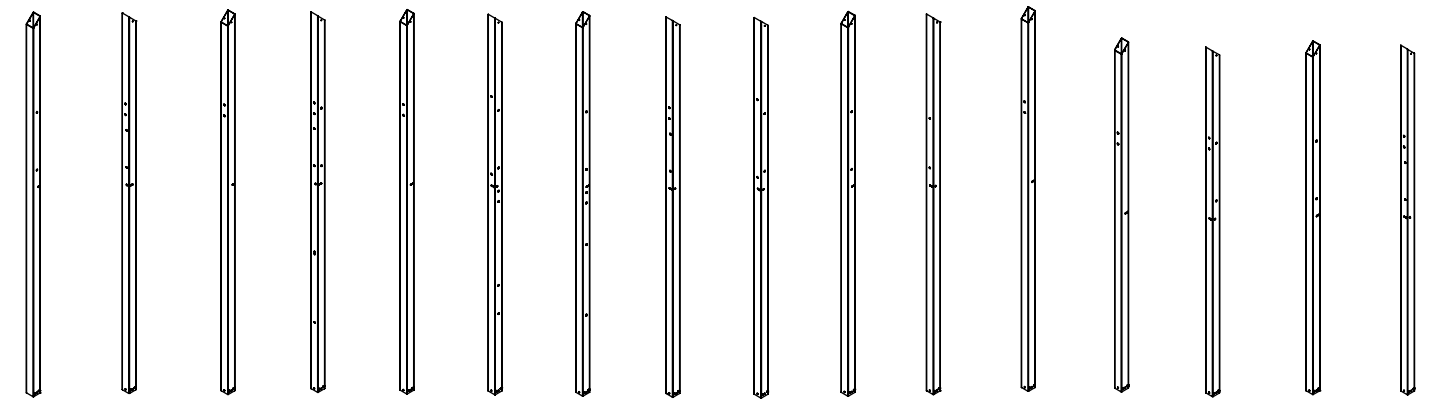
E37



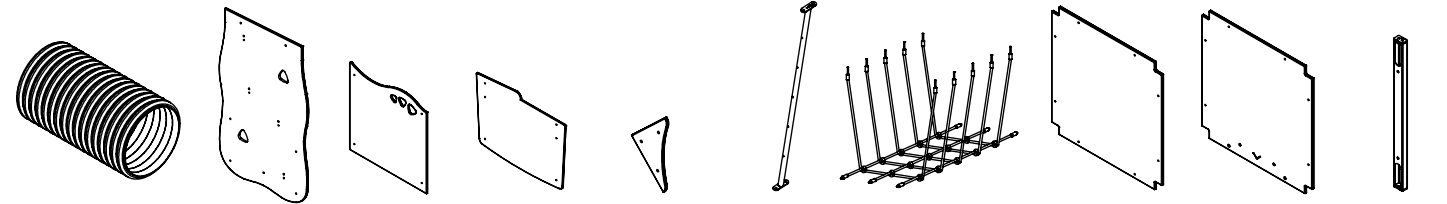
[cm]

	10,5h			48h		
---	-------	---	---	-----	---	--

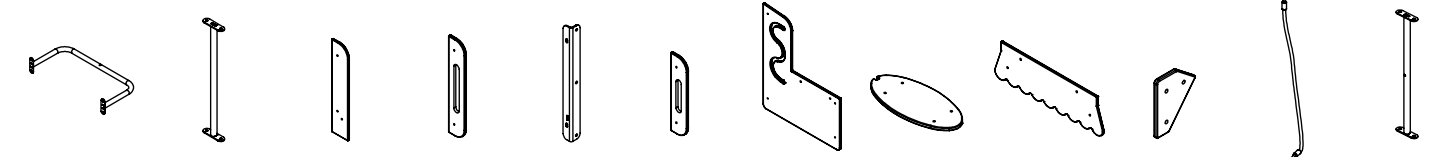
vinci play



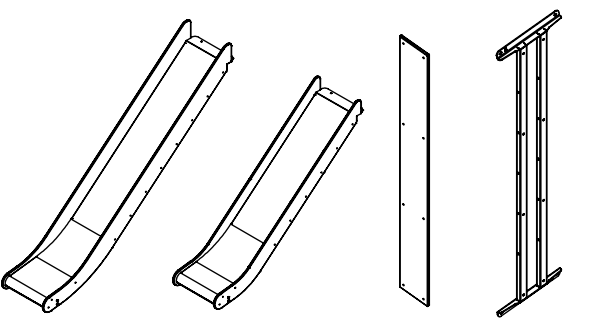
209A x1 209B x1 209C x1 209D x1 209E x1 209F x1 209G x1 209H x1 209I x1 209J x1 209K x1 209L x1 209M x1 209N x1 209O x1 209P x1



996104 x1 021135 x1 021100 x4 021133 x8 021134 x8 022140 x2 025109 x1 021101 x1 021102 x3 022100 x18



022150 x1 022102 x4 021152 x6 021129 x2 b144 x2 021110 x2 021119 x1 021120 x1 021121 x1 021153 x2 025100 x10 022103 x1



994105 x2 994104 x1 021132 x1 022116 x1

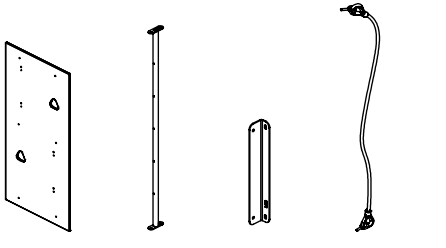
K1, K2  
P78  
x6

K3  
b219-2  
x6

K1, K2  
992100  
x2

K3  
992104  
x2

K2, K3  
B231  
x16



021131 x1 022135 x2 b203 x1 025146 x1

HDPE  
021105 x2 021106 x2

HPL  
021185 x2 021186 x2 021187 x4

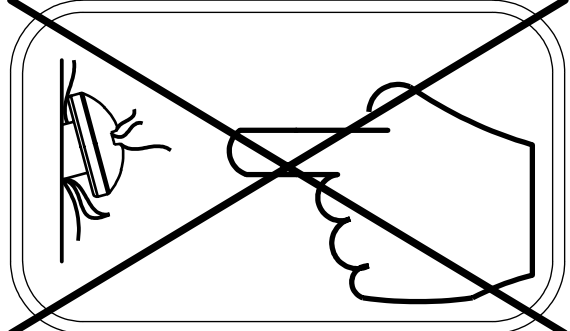
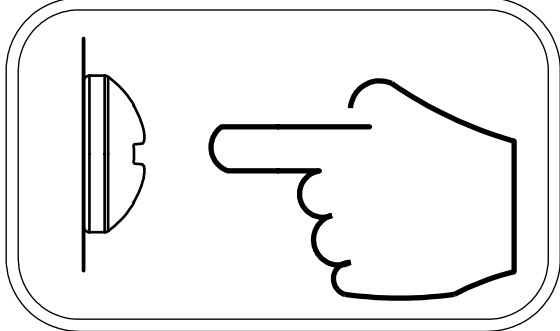
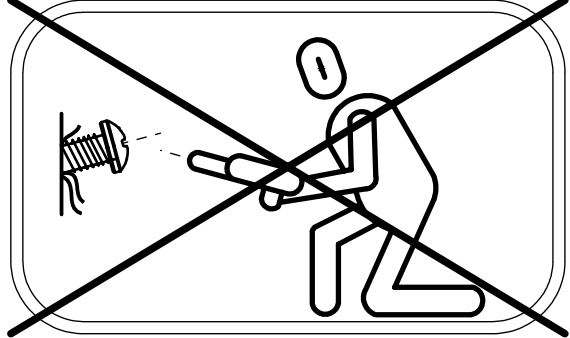
K1, K2  
992124  
x1

K3  
992125  
x1

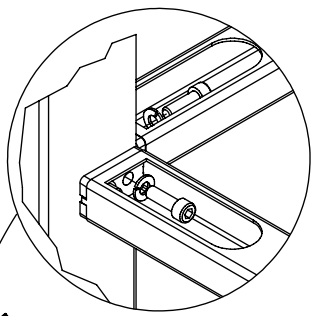
[cm]

vinci play

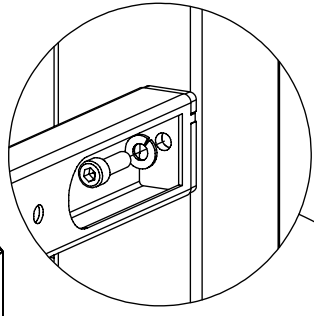
ST/INOX		PLYWOOD / HDPE		HPL	
3x	E34 (K1, K3)	3x	E8 (S1)	3x	E9 (S1)
2x	E35 (K2)	3x	E152 (S6)	3x	E153 (S6)
1x	E88 (K2, K3)	2x	PS31	2x	PH31
1x	E38 (K2, K3)	4x	CE2	4x	CL2
	E37 (K2, K3)	7x	CE1	7x	CL1
2x	E28	5x	CE4	5x	CL4
10x	E1	1x	PS22	1x	PH22
1x	E51	1x	CE6	1x	CL6
4x	E3	3x	PS1	3x	PH1
1x	E42	1x	PS3	1x	PH3
1x	E78	3x	CE31	3x	CL31
1x	E39	1x	PS21	1x	PH21
1x	V001	4x	CE111	4x	CL111
		1x	CE5	1x	CL5
		1x	PS93	1x	PH93
		1x	CE40	1x	CL40
		1x	PS26	1x	PH26
				2x	E130



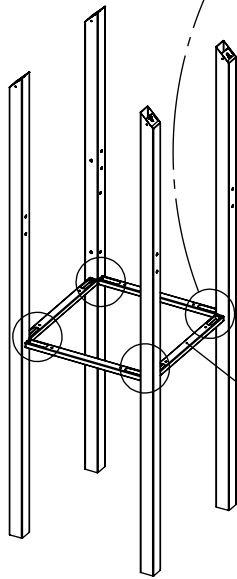




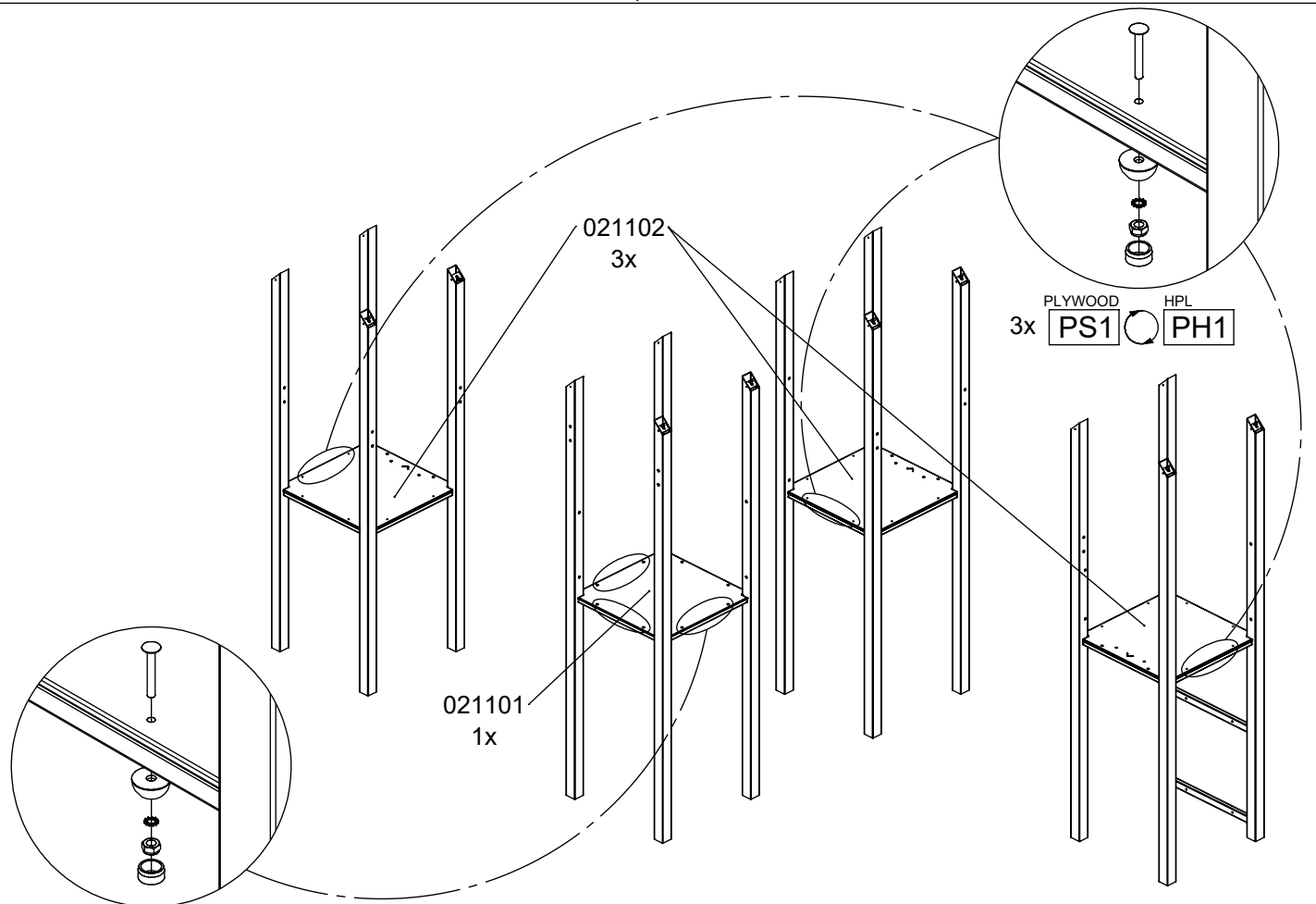
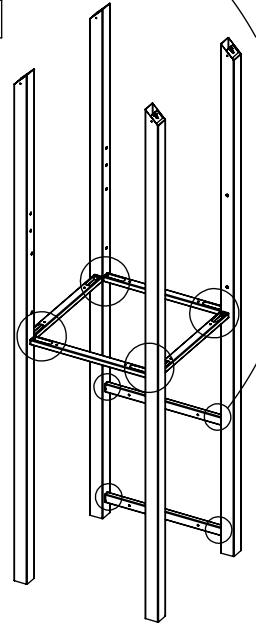
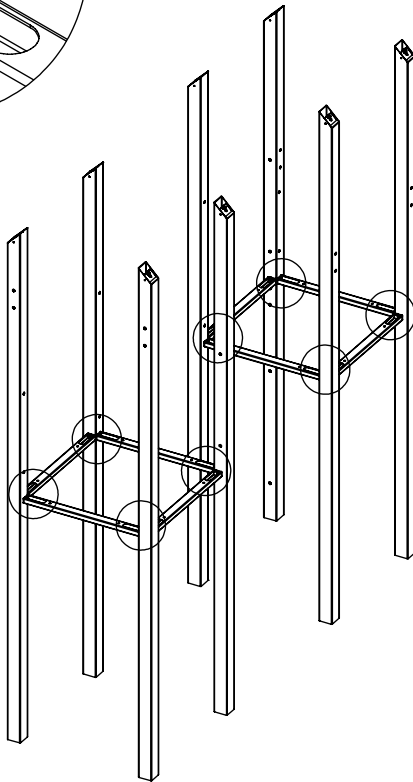
4x **E3**



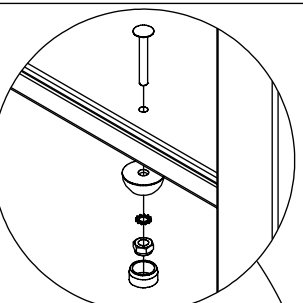
1x **E42**



022100  
18x

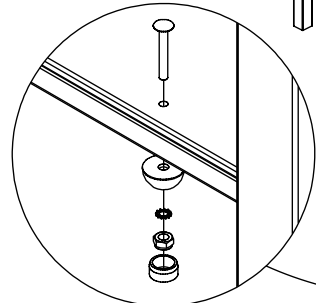


021102  
3x

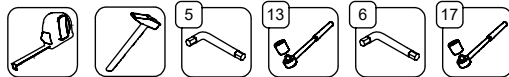


PLYWOOD HPL  
3x **PS1** **PH1**

021101  
1x

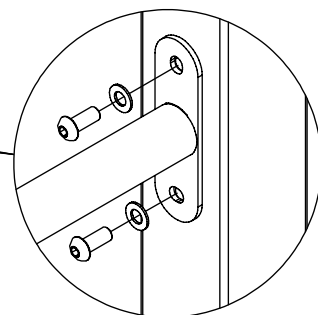


PLYWOOD HPL  
1x **PS3** **PH3**

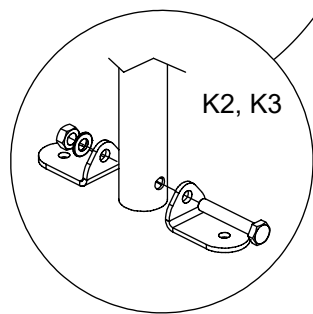
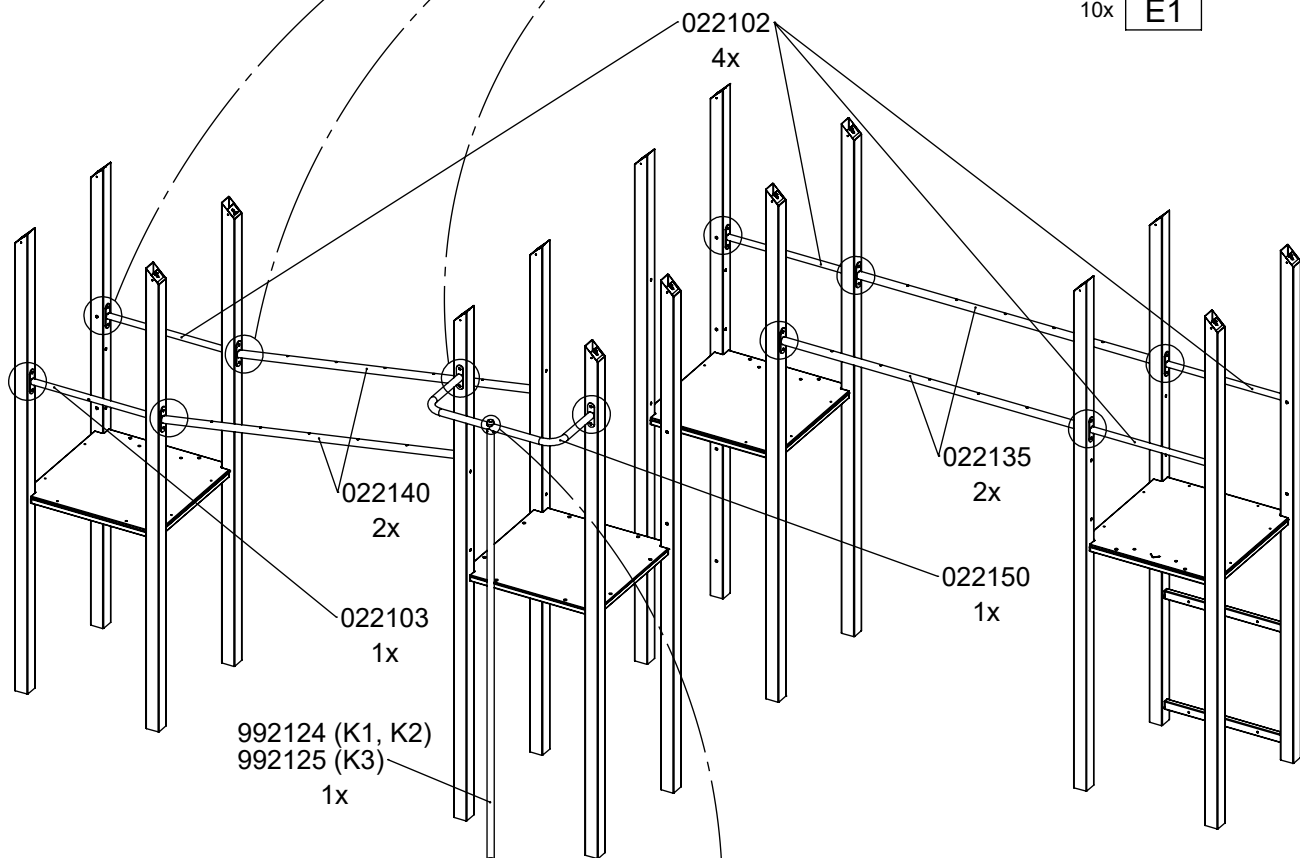


[cm]

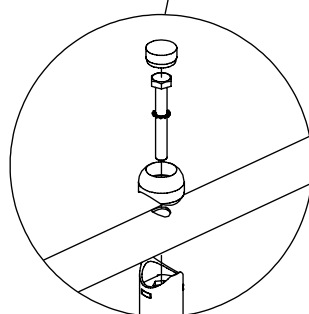
vinci  
play



10x **E1**



1x **E38**

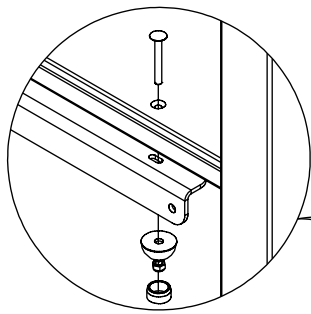


1x **E39**

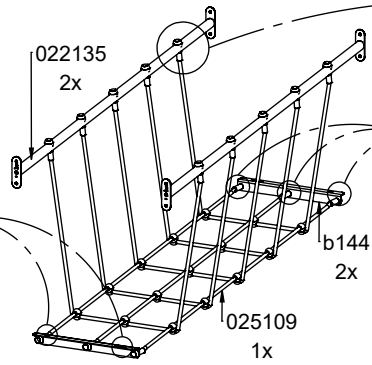
[cm]



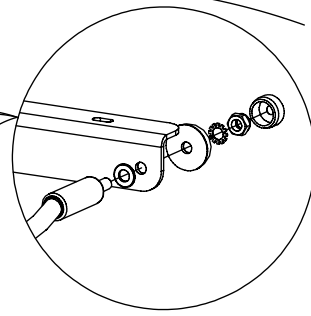
vinci  
play



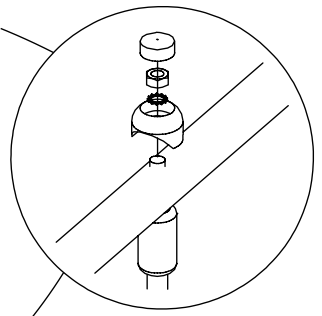
PLYWOOD PS31 HPL PH31  
1x



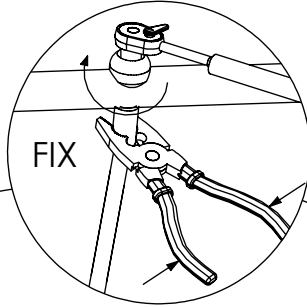
022135 2x  
b144 2x  
025109 1x



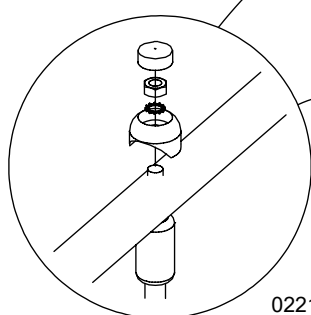
1x E51



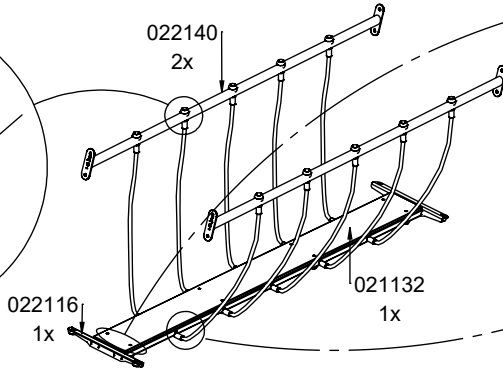
1x E28



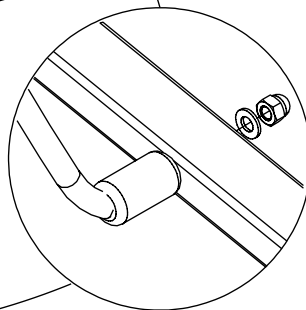
FIX



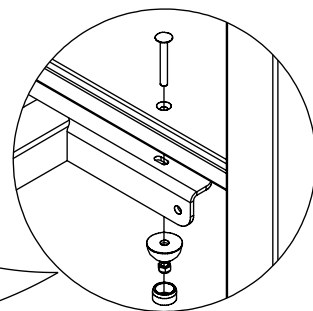
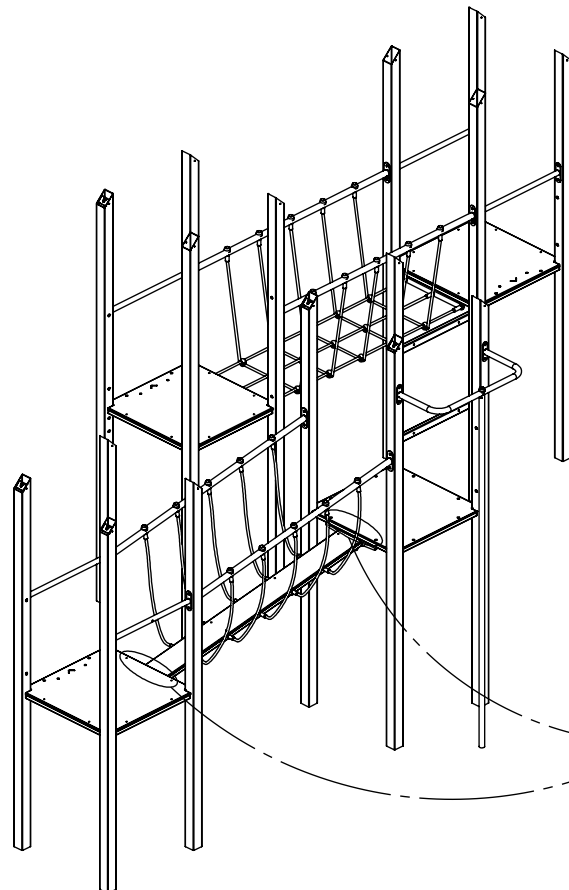
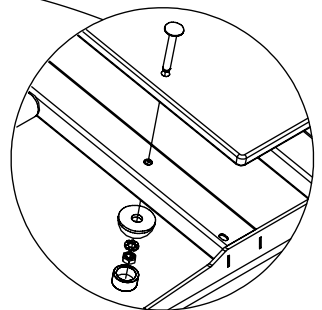
1x E28



022140 2x  
022116 1x  
021132 1x



PLYWOOD PS22 HPL PH22  
1x

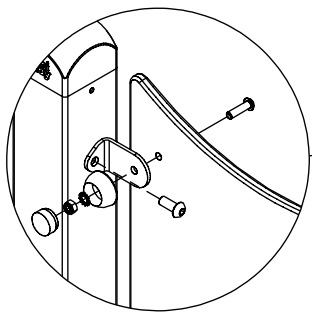


PLYWOOD PS31 HPL PH31  
1x

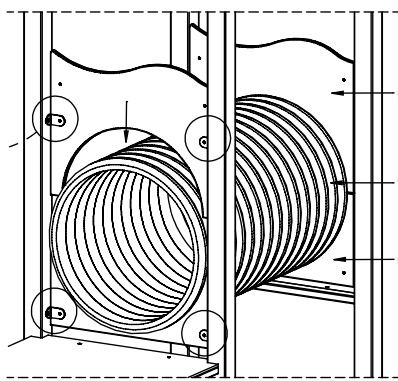
[cm]



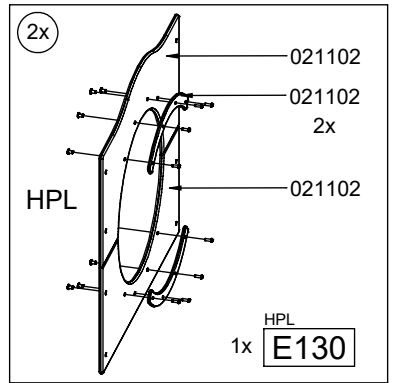
vinci play



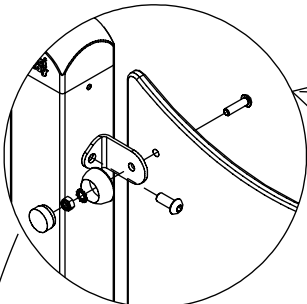
2x HDPE CE4 HPL CL4



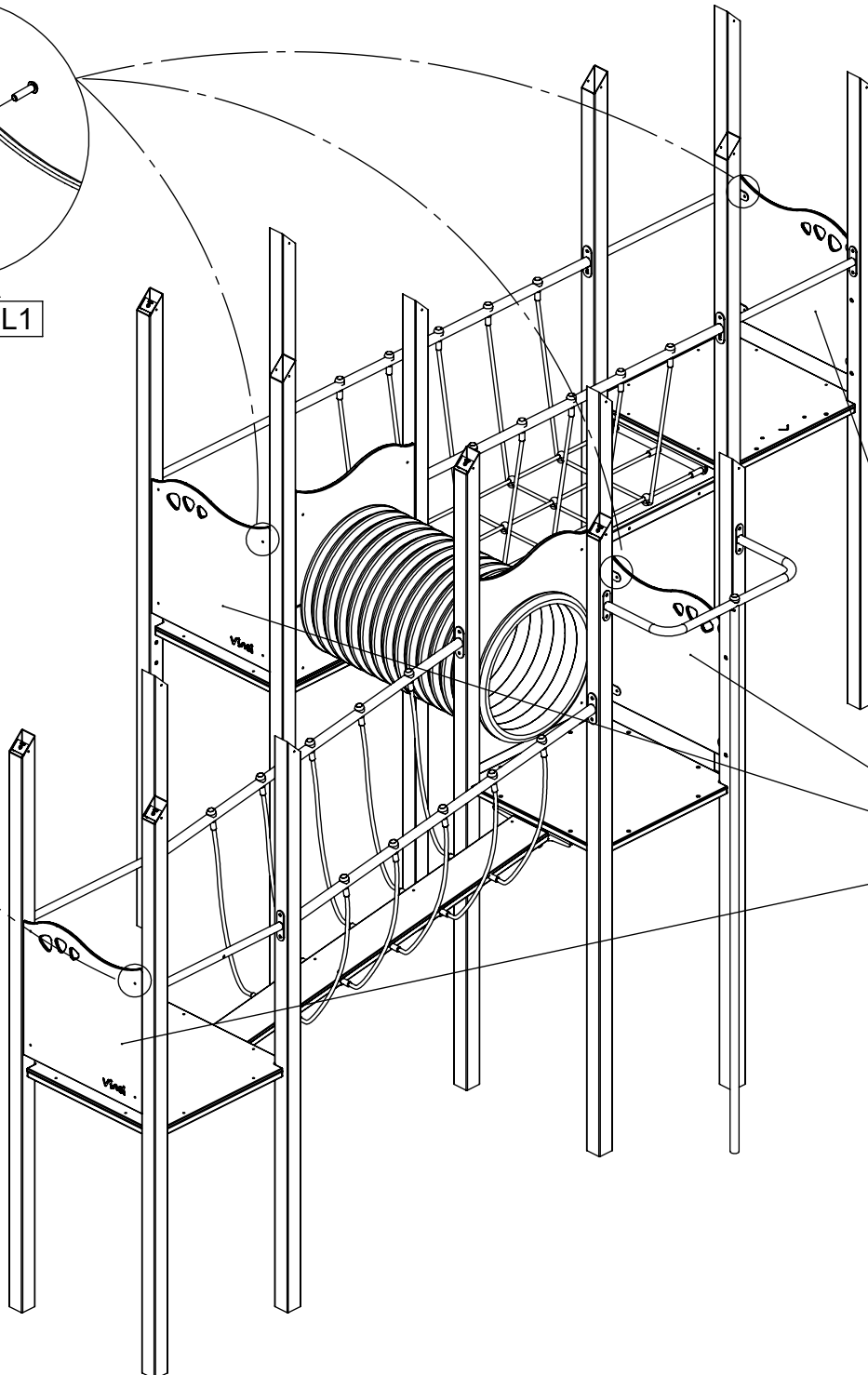
021105  
2x  
996104  
1x  
021106  
2x



2x  
021102  
021102  
2x  
021102  
HPL  
1x E130



4x HDPE CE1 HPL CL1

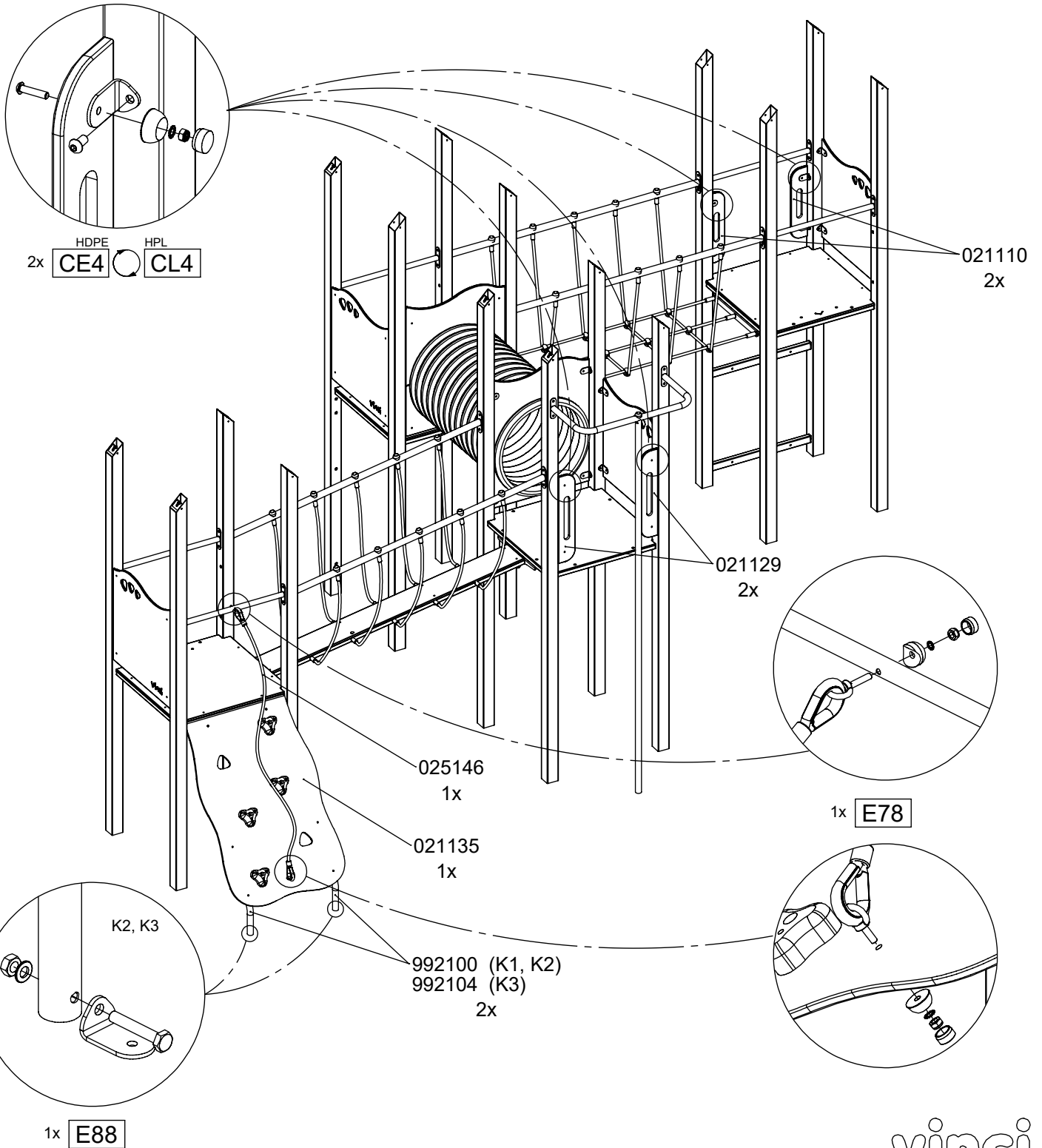
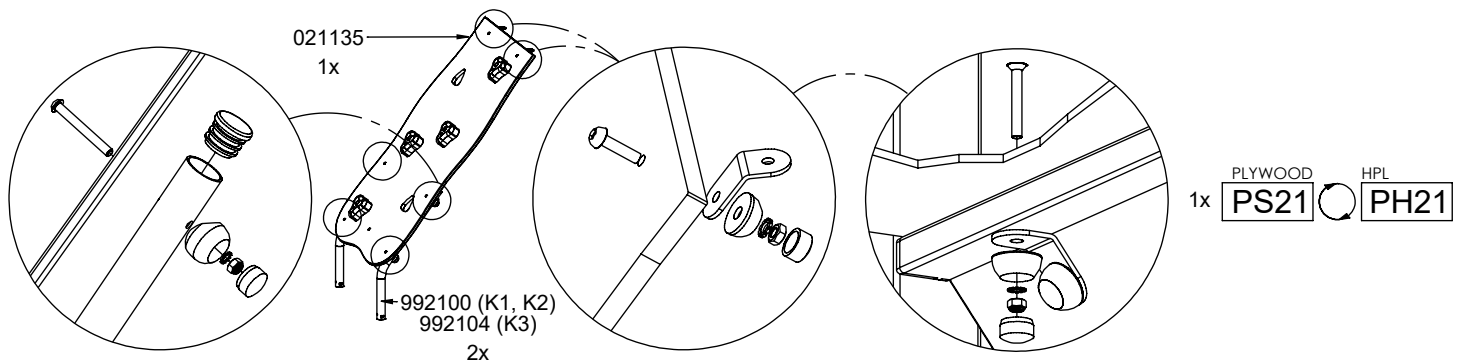


021100  
4x

[cm]



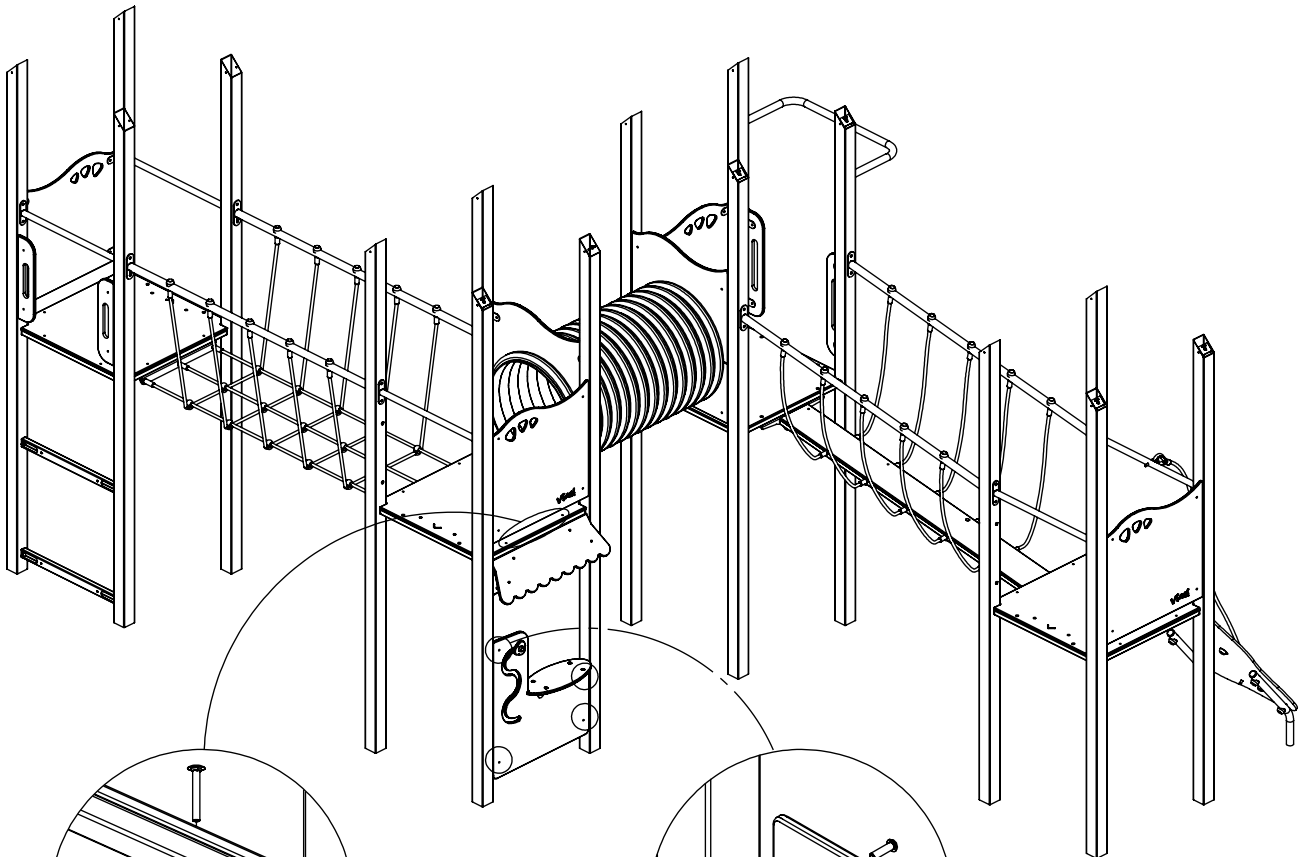
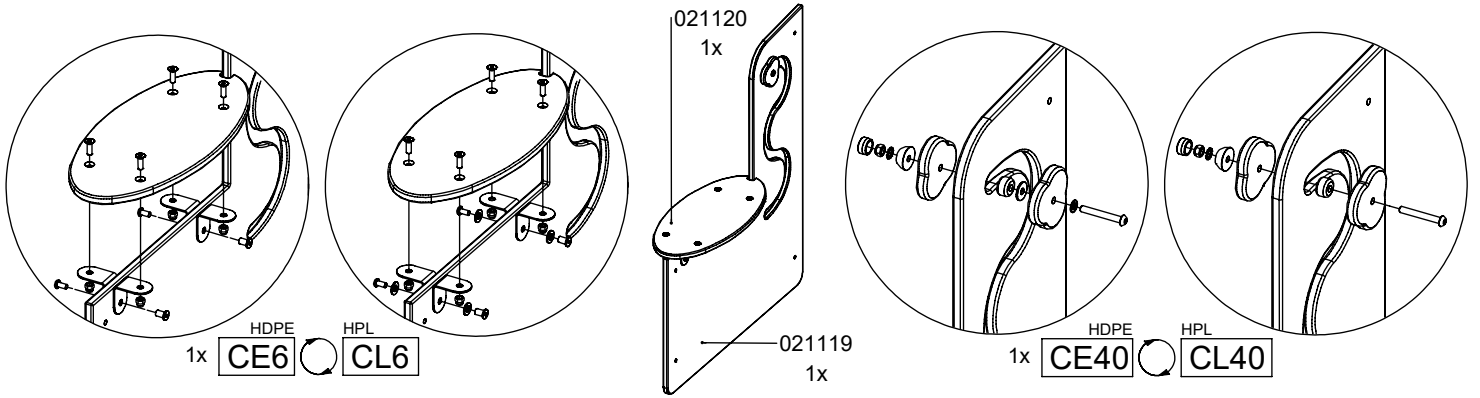
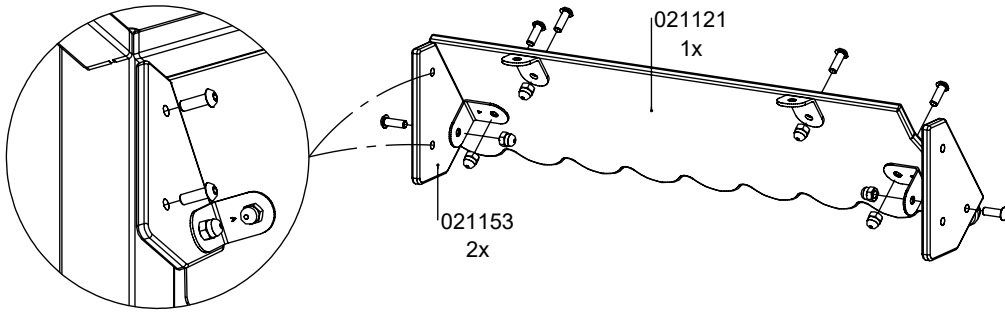
vinci  
play



[cm]



vinci  
play



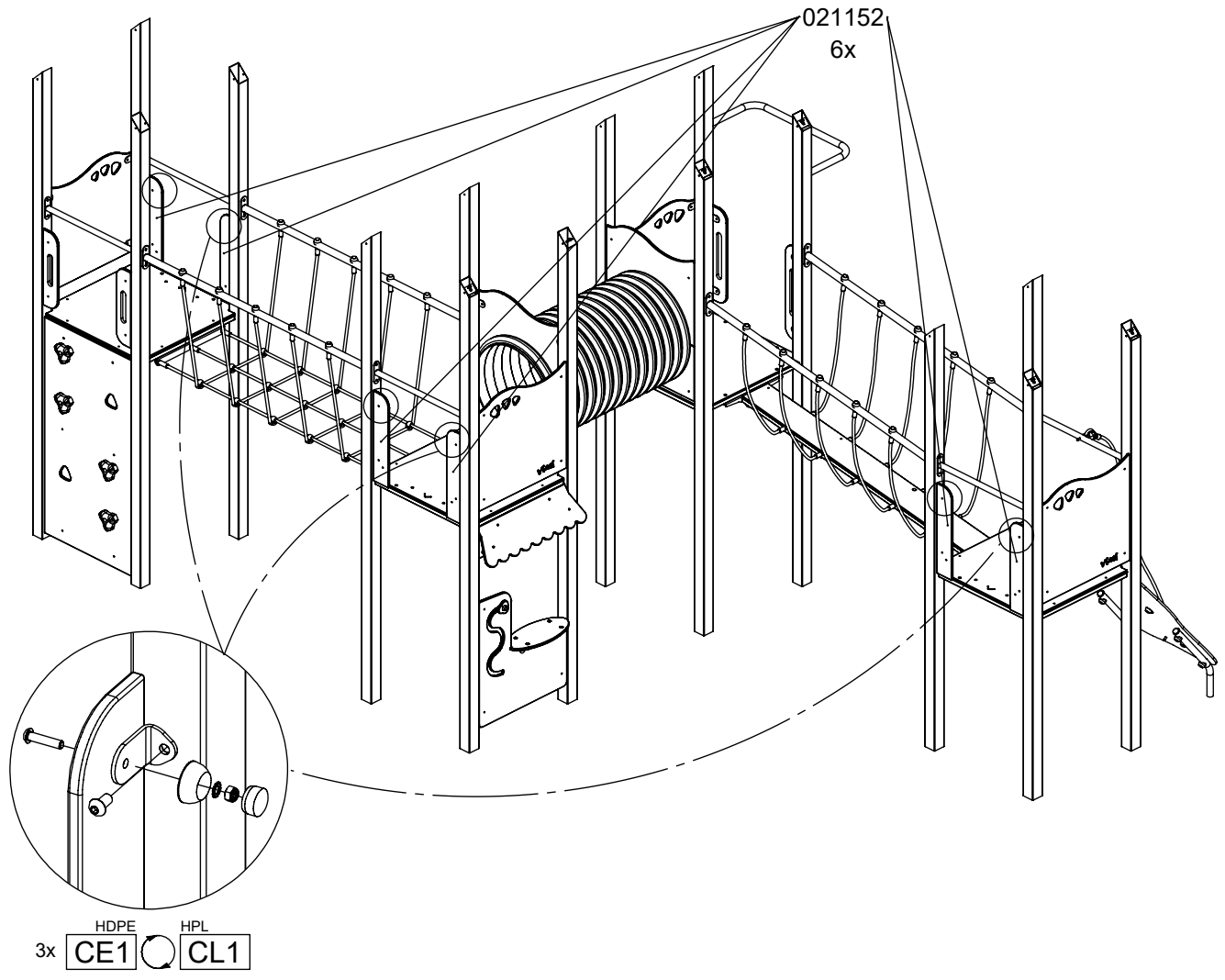
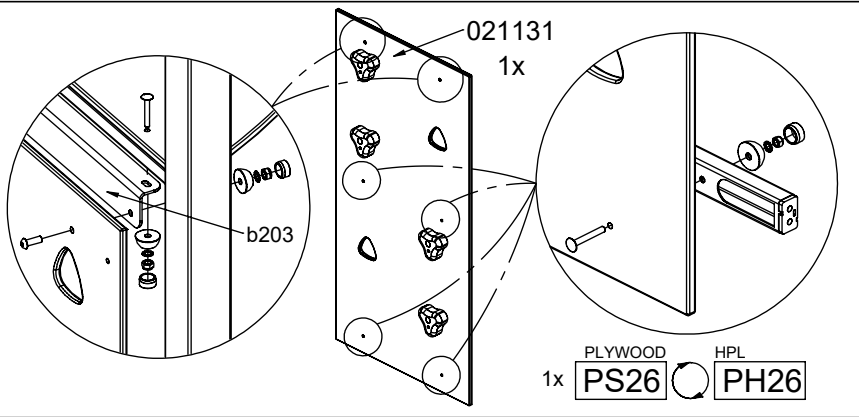
1x PLYWOOD **PS93** HPL **PH93**

1x HDPE **CE4** HPL **CL4**

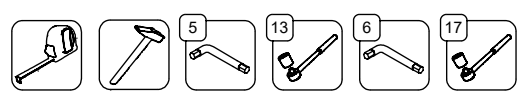


[cm]

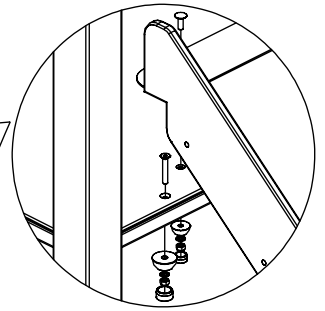
vinci  
play



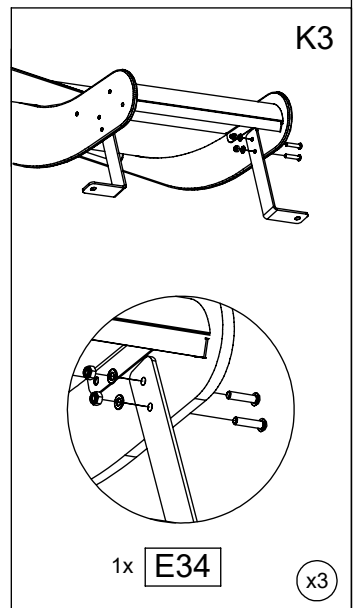
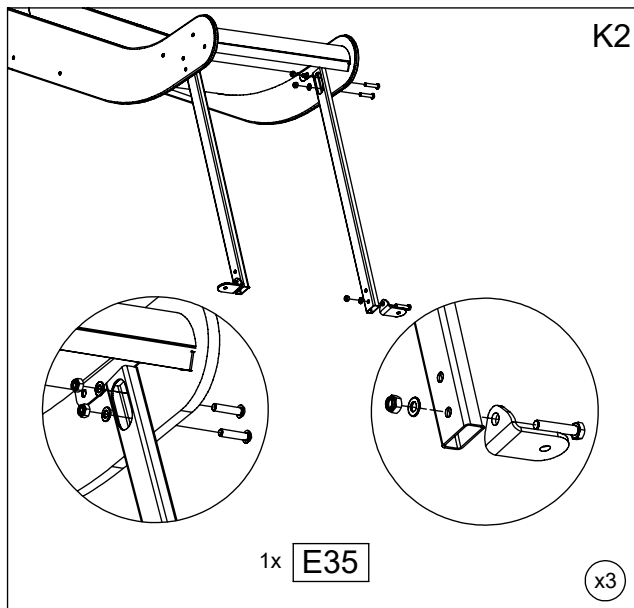
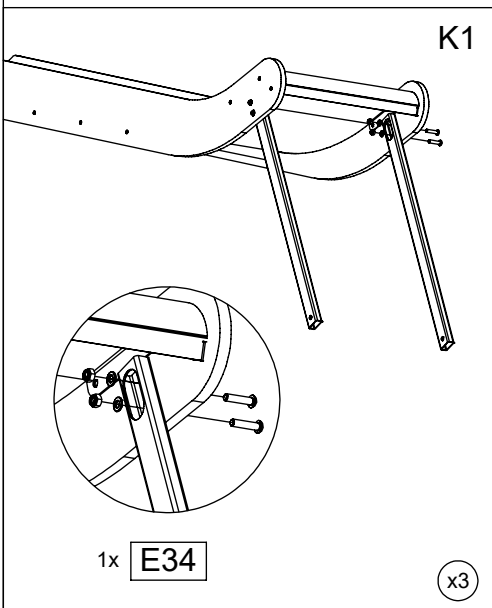
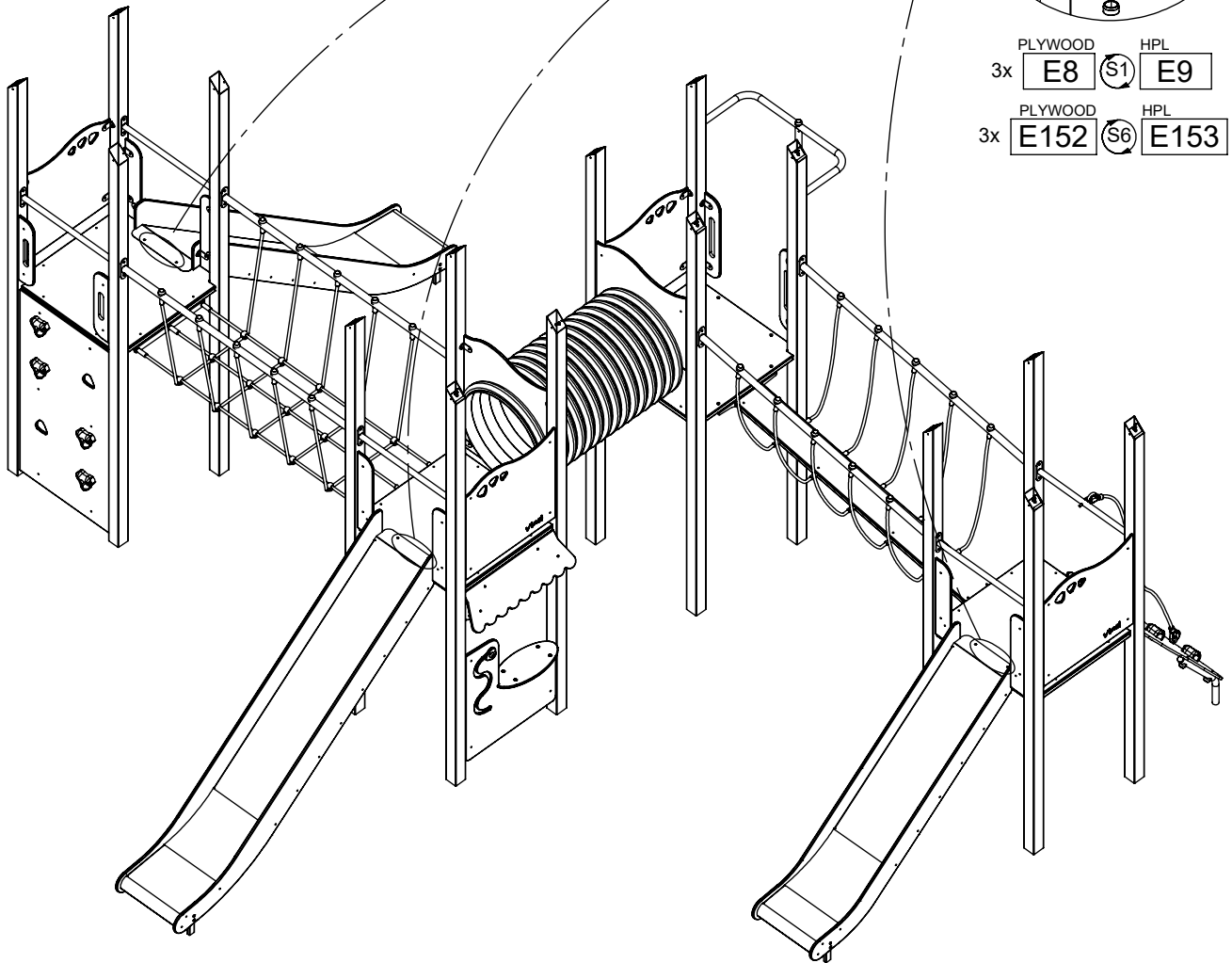
[cm]



vinci  
play



PLYWOOD HPL  
 3x E8 (S1) E9  
 PLYWOOD HPL  
 3x E152 (S6) E153



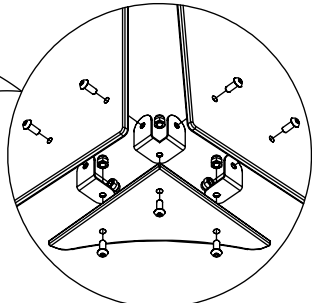
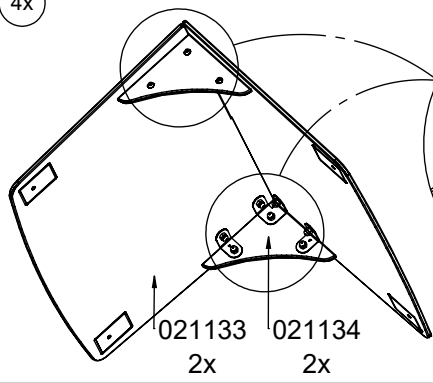
[cm]



vinci  
 play

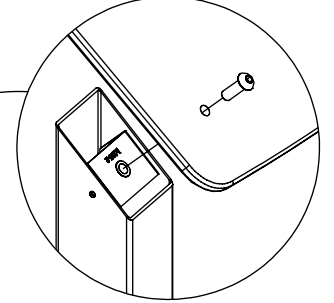
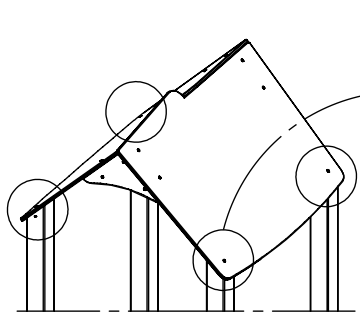


4x



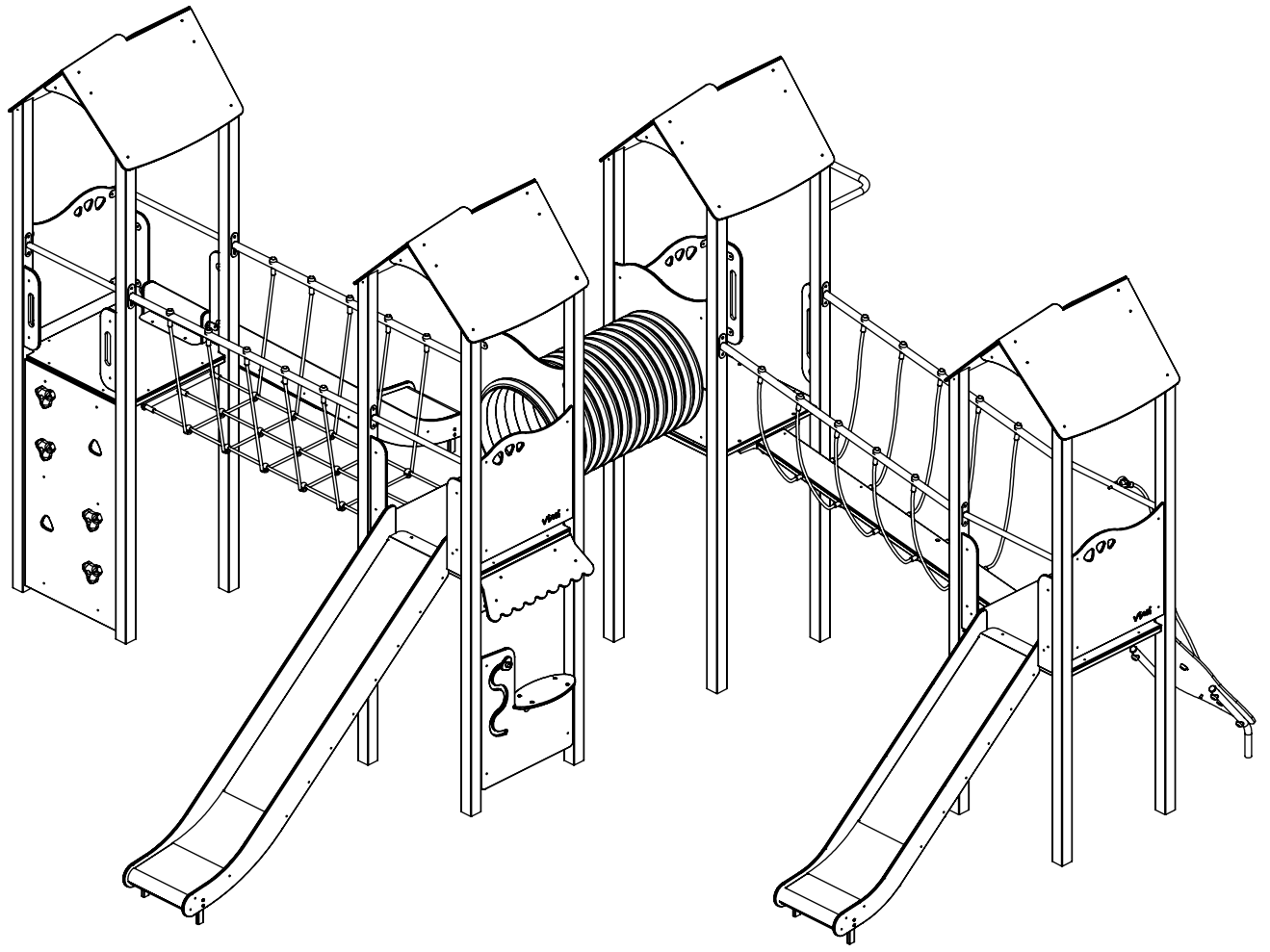
1x 

HDPE	HPL
CE2	CL2

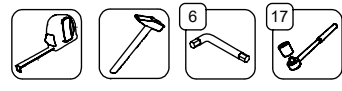


1x 

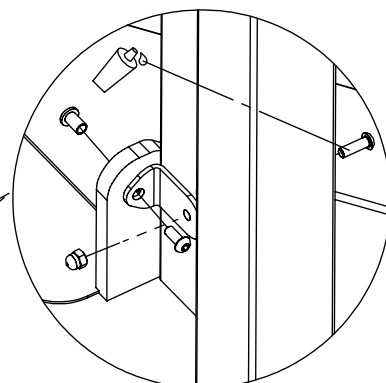
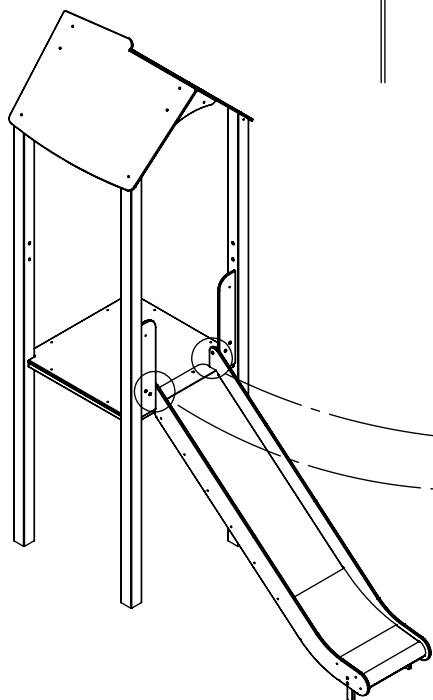
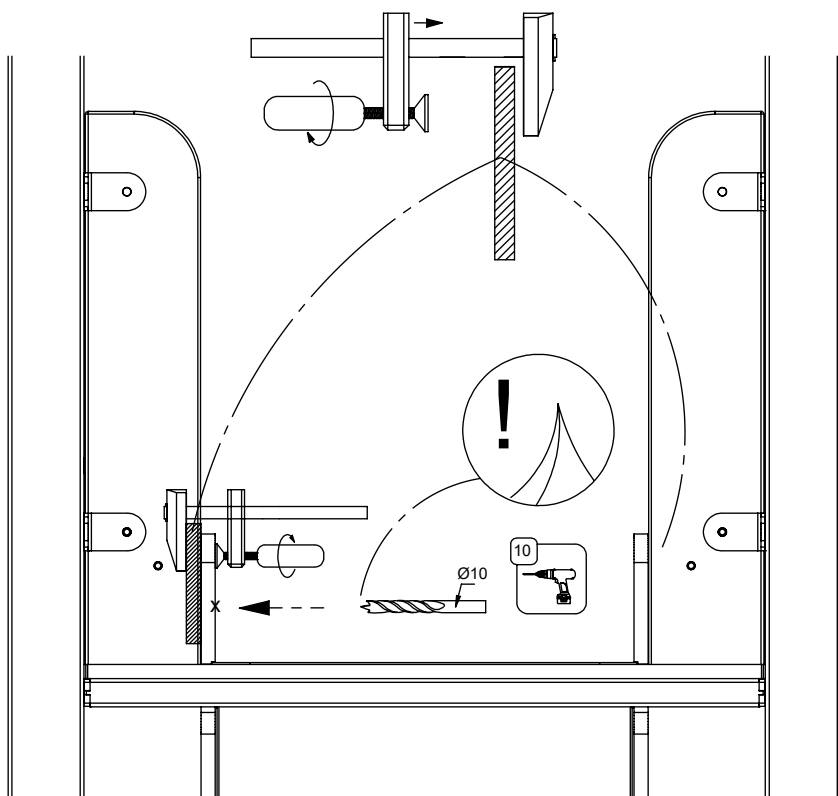
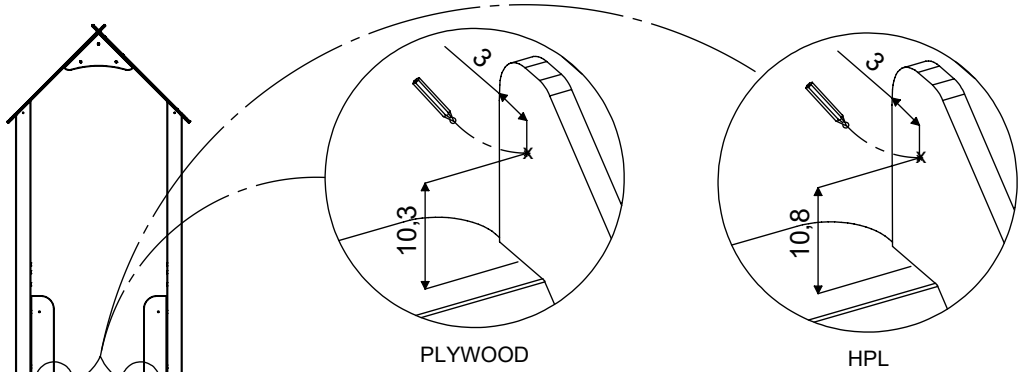
HDPE	HPL
CE111	CL111



[cm]



vinci  
play

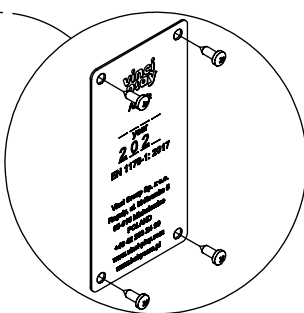
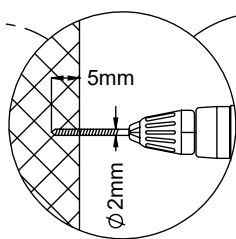
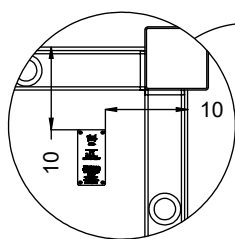
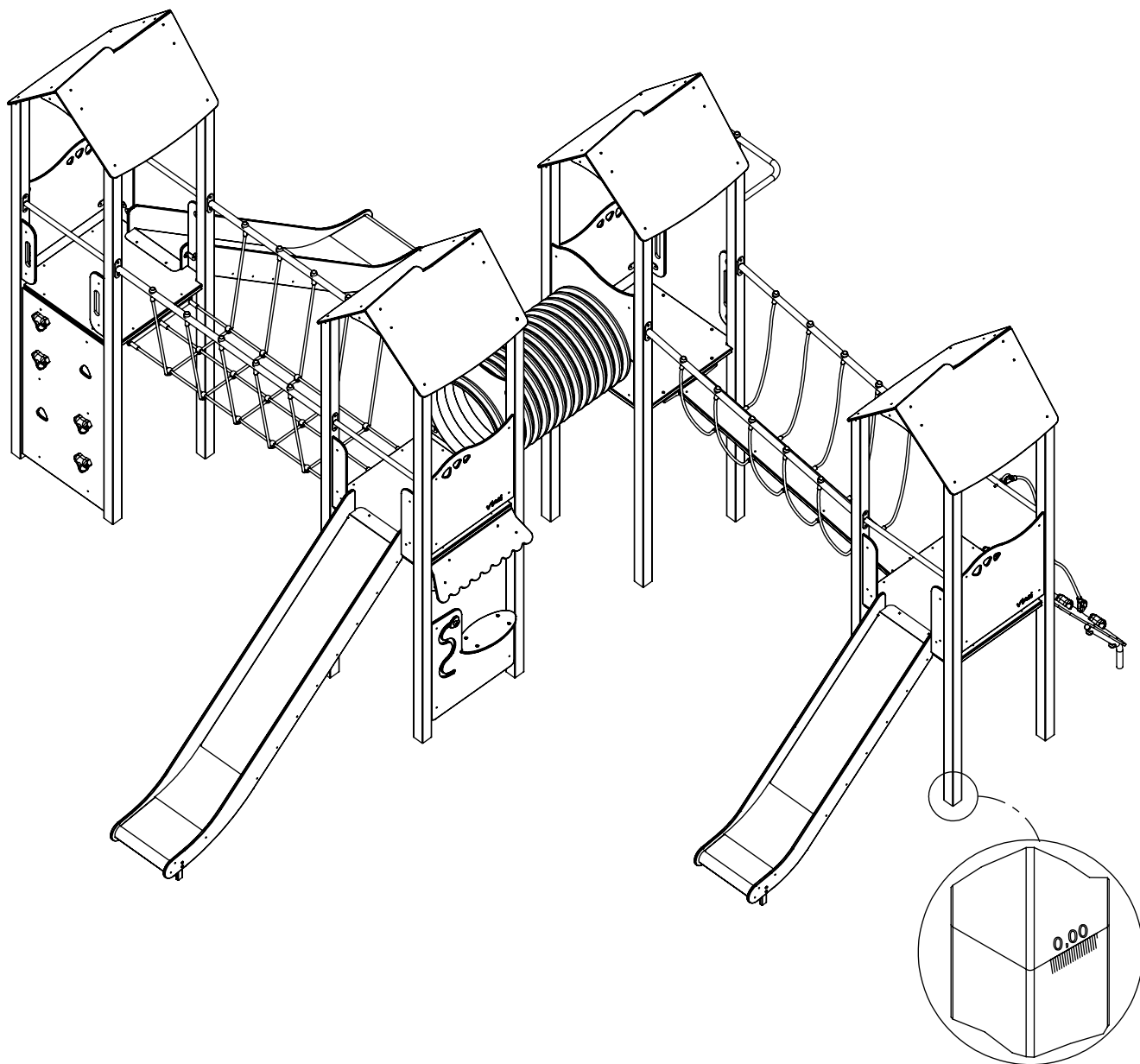


1x 

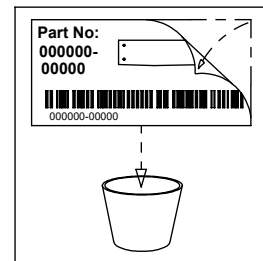
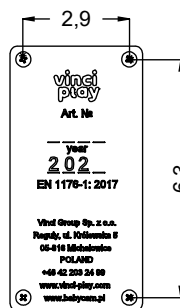
HDPE	HPL
CE31	CL31



[cm]



V001



[cm]



vinci  
play