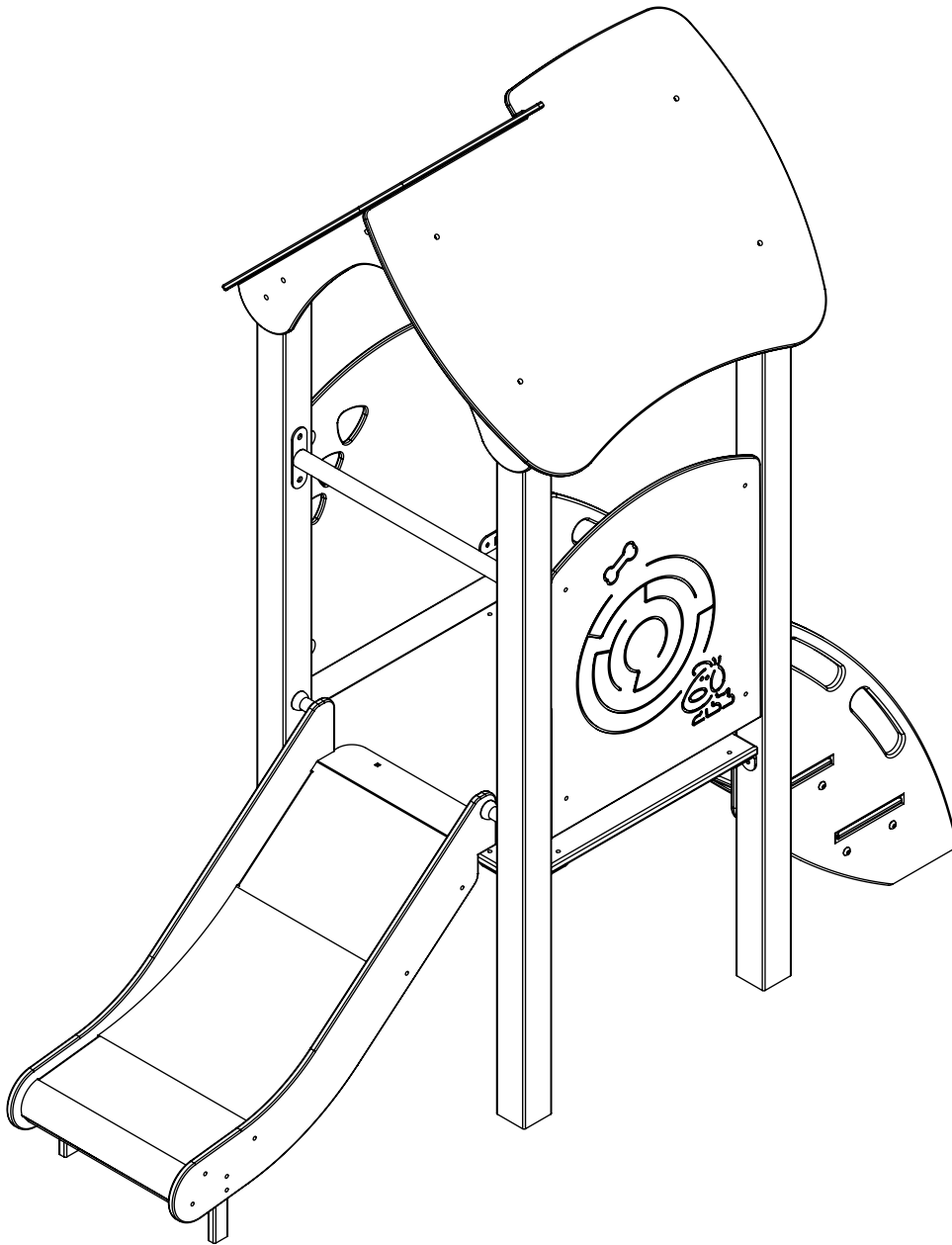
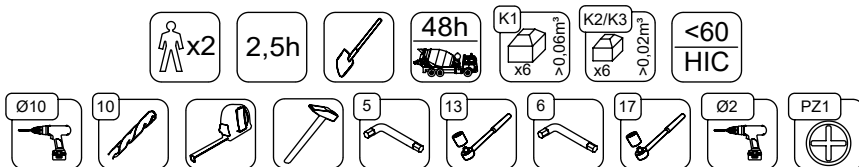


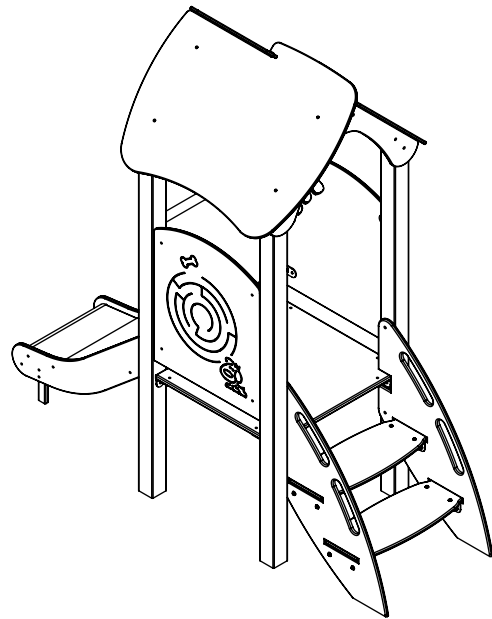
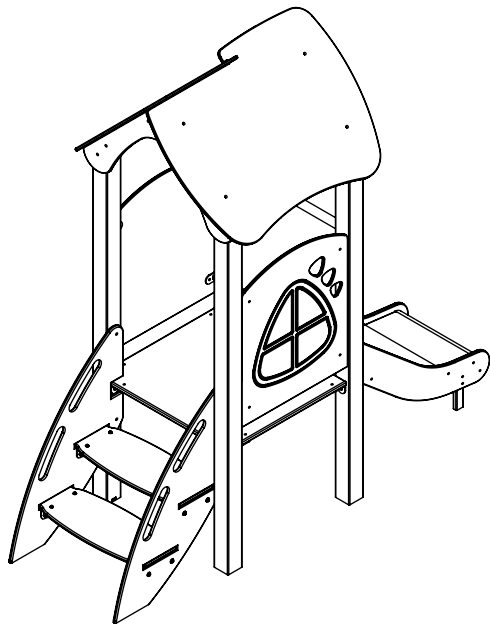
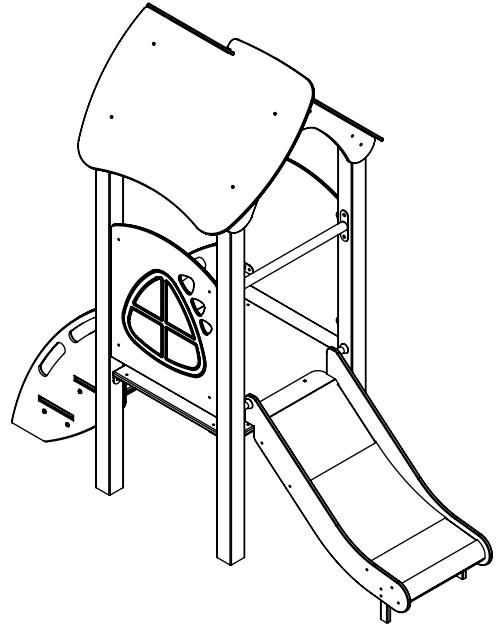
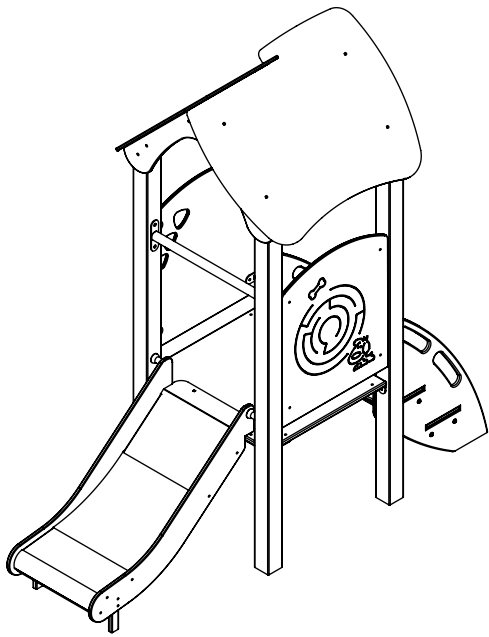
0104



v012
04.02.2021
A. P.
[cm]

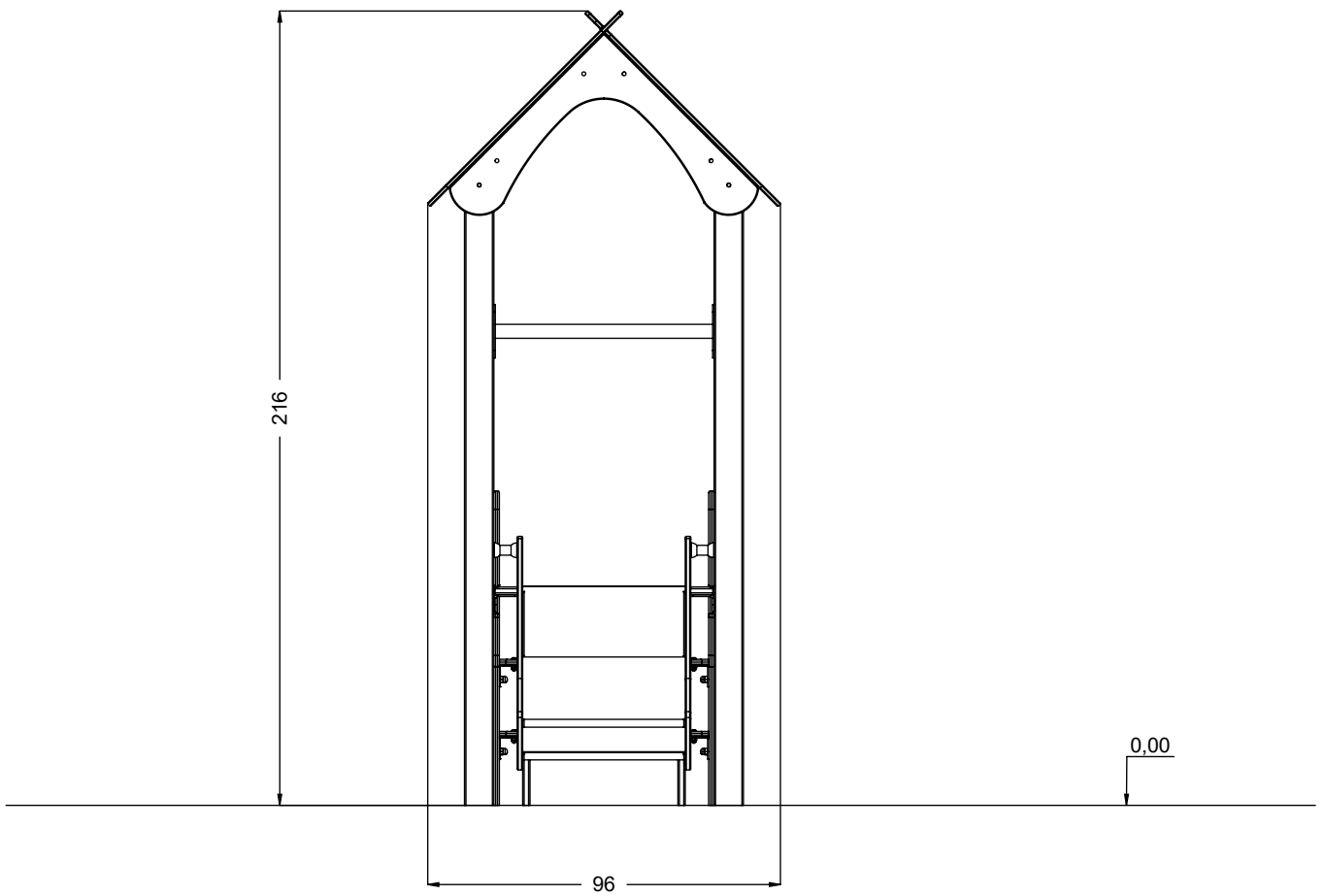
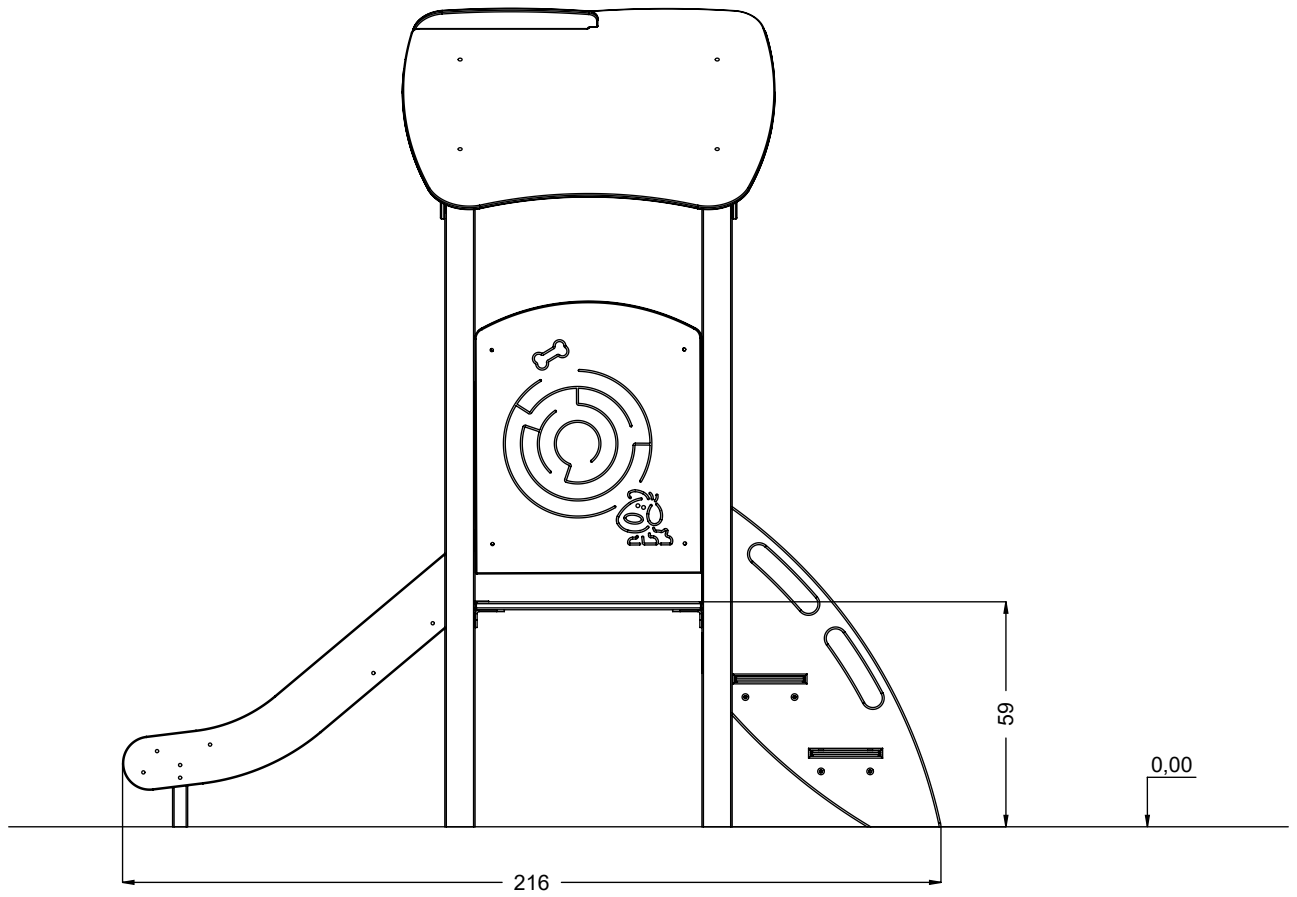


vinci
play



[cm]

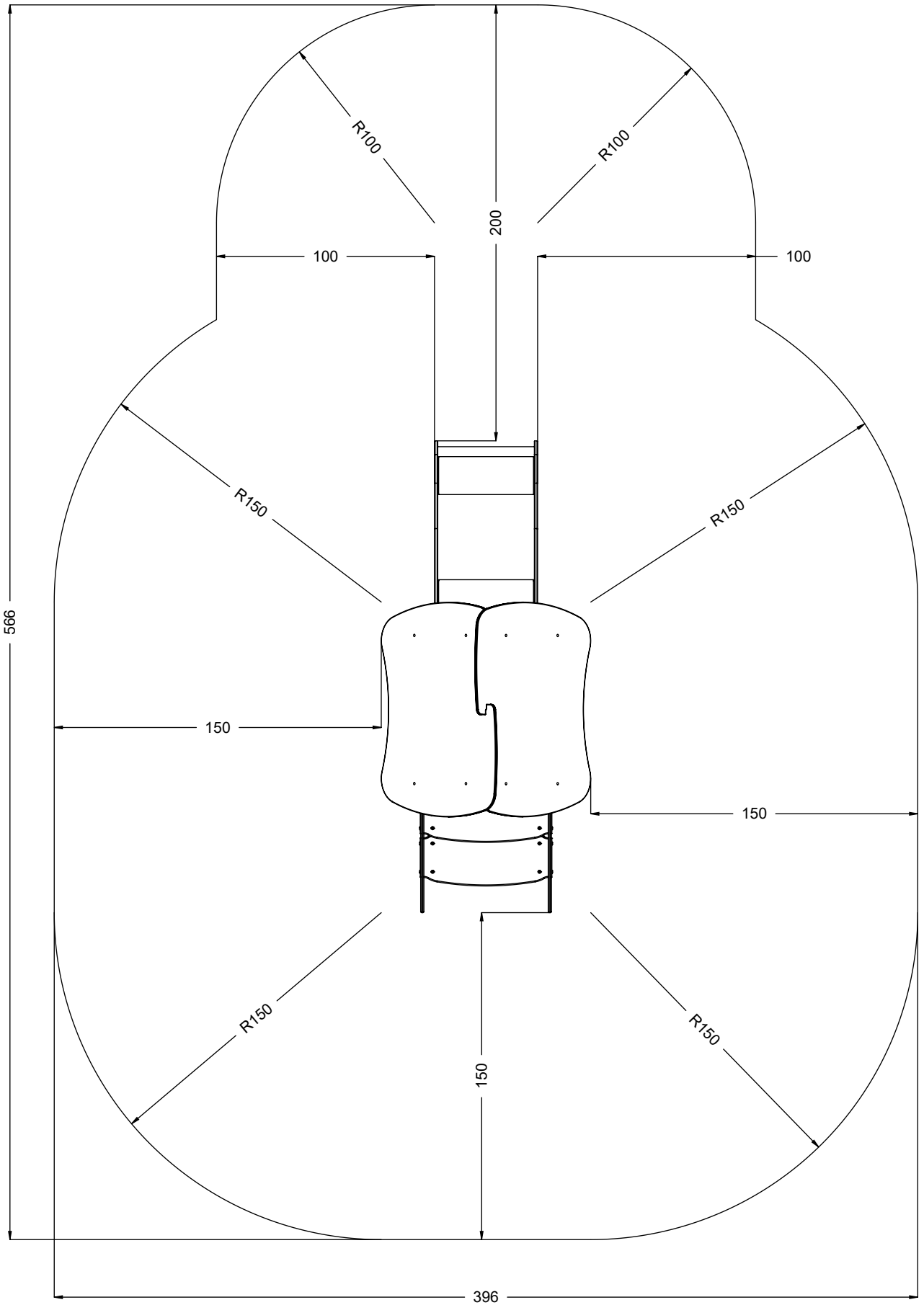
vinci
play



[cm]



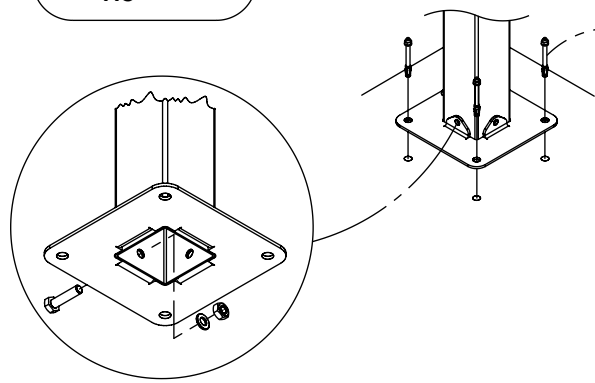
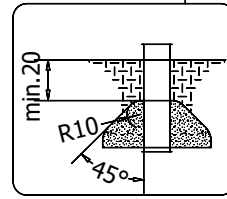
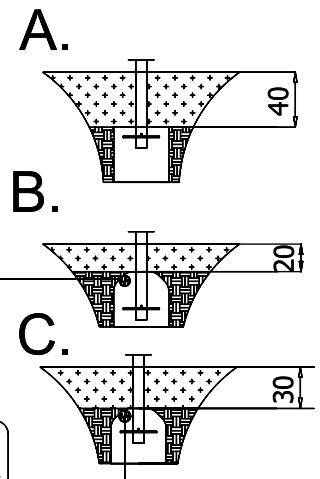
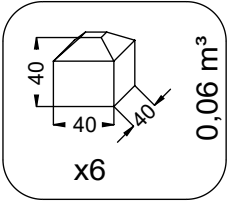
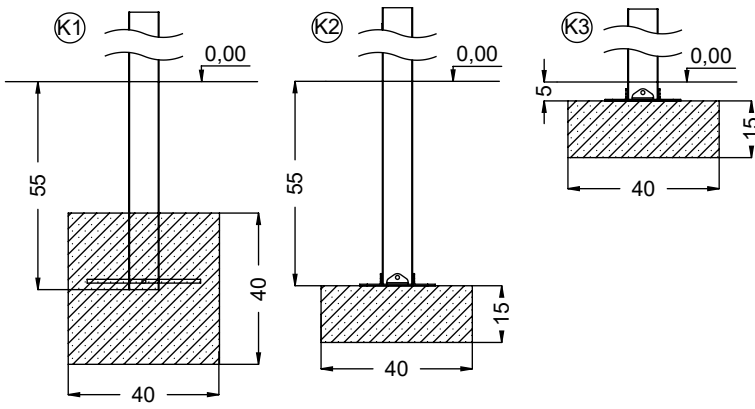
vinci
play



[cm]



vinci
play



E37

16x M10x120 (K2)
18x M10x120 (K3)

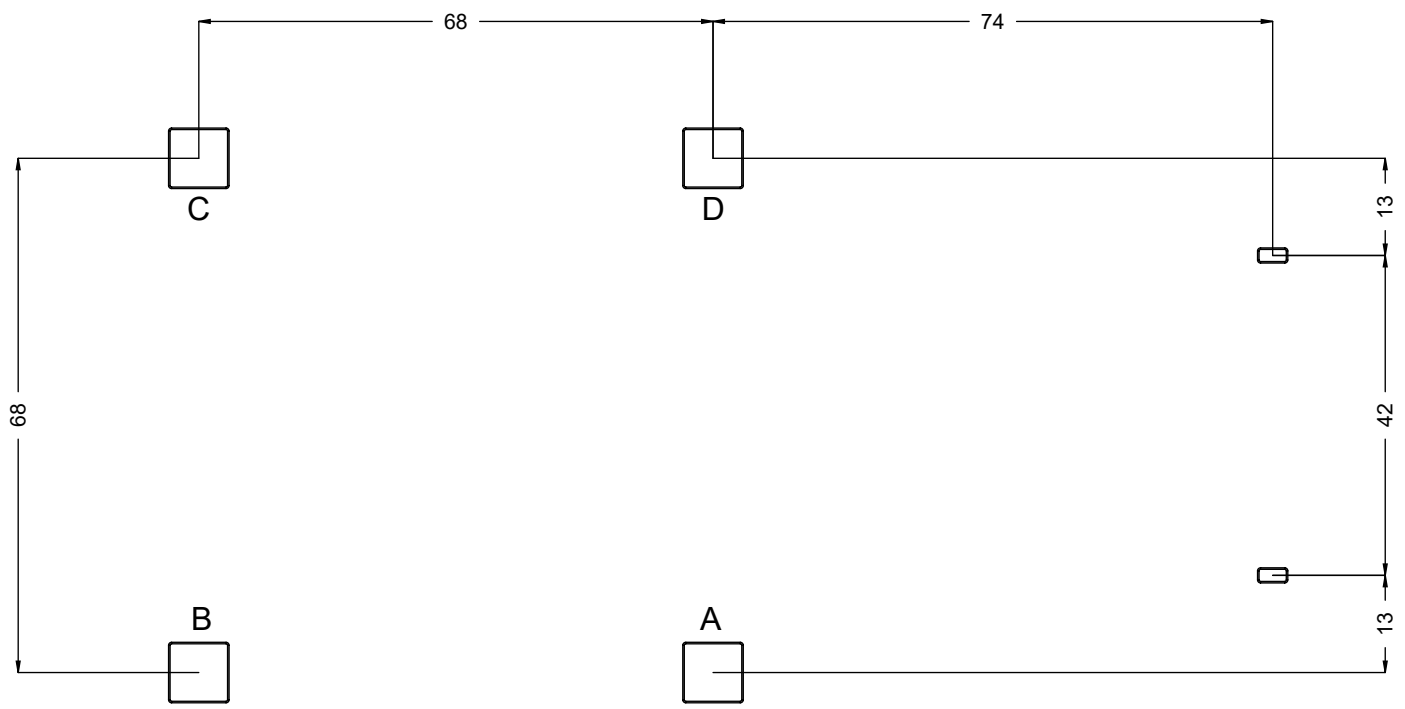
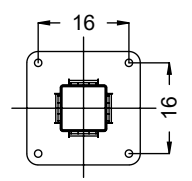
Ø10

NOT INCLUDED

2x M8x120 (K2)

Ø8

NOT INCLUDED

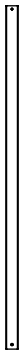


[cm]

x2
 2,5h

 48h
 K1 x6 >0,06m³
 K2/K3 x6 >0,02m³

vinci play



0104A
x1



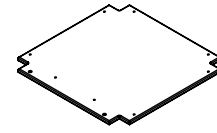
0104B
x1



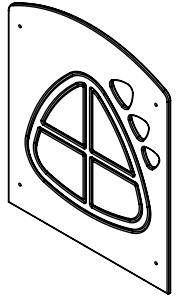
0104C
x1



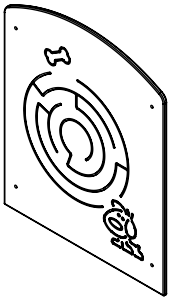
0104D
x1



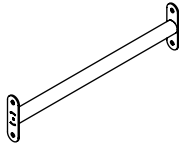
011226
x1



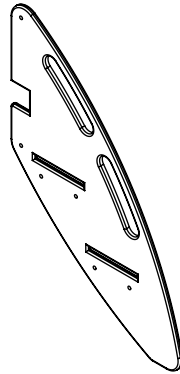
011105
x1



011102
x1



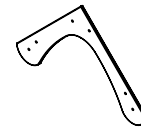
012101
x1



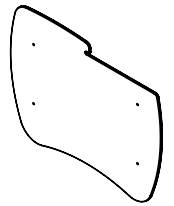
011129
x2



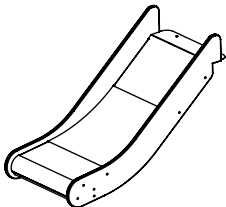
011126
x2



011119
2x



011143
2x

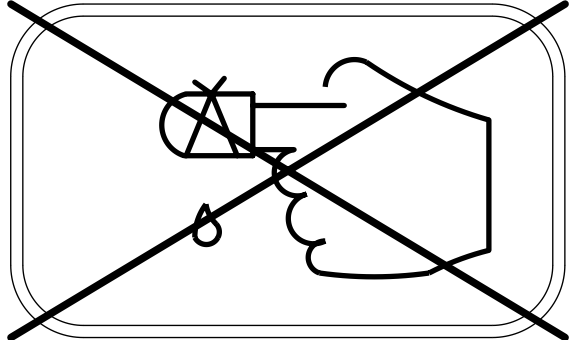
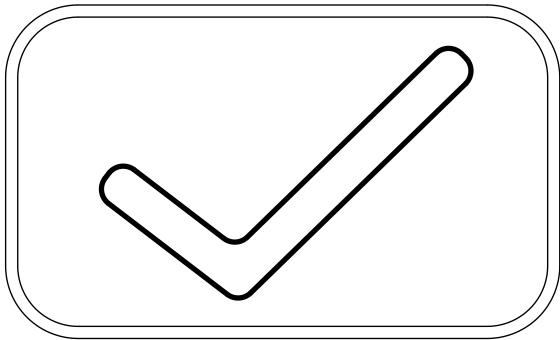
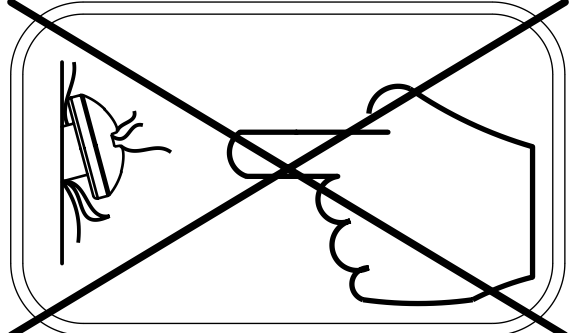
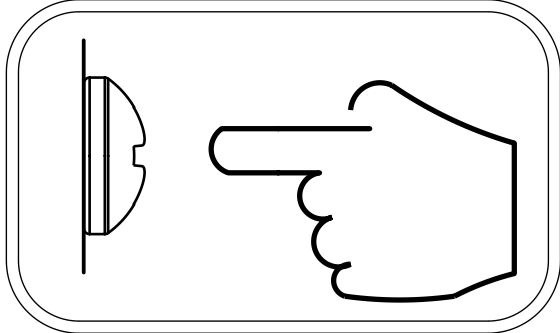
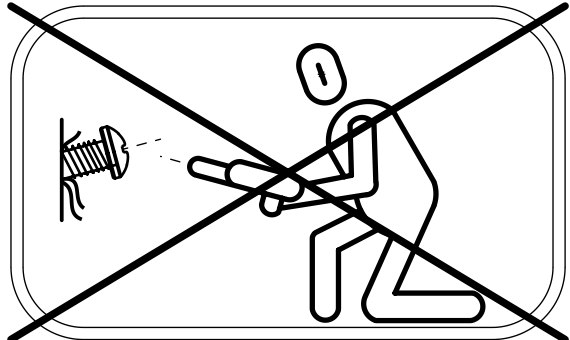
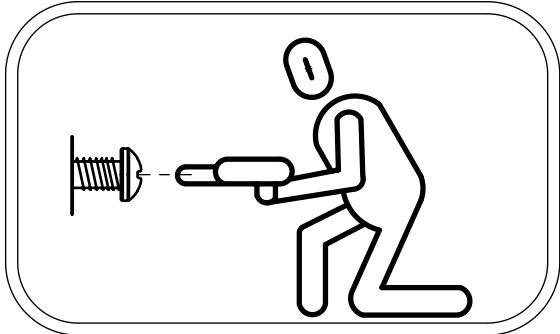


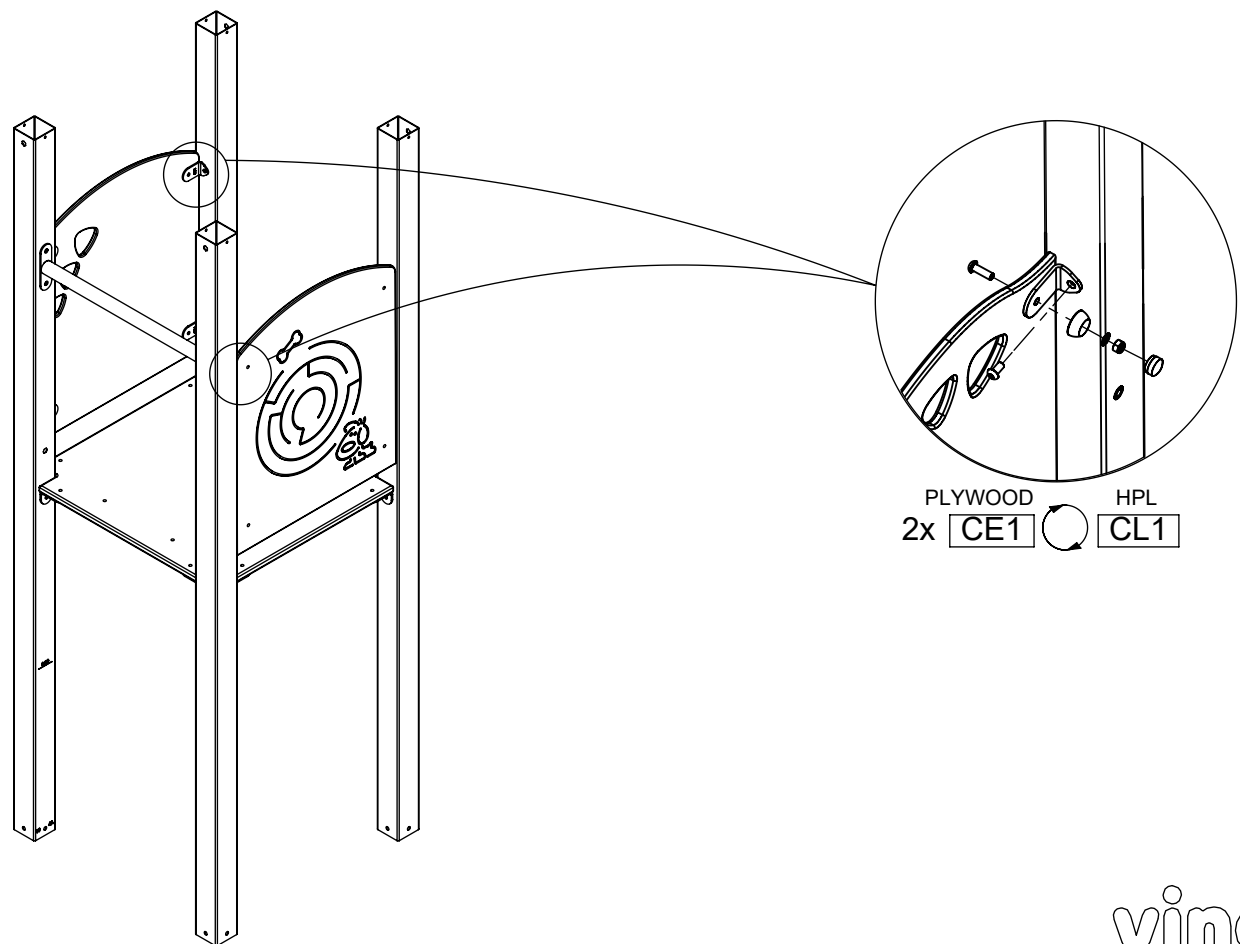
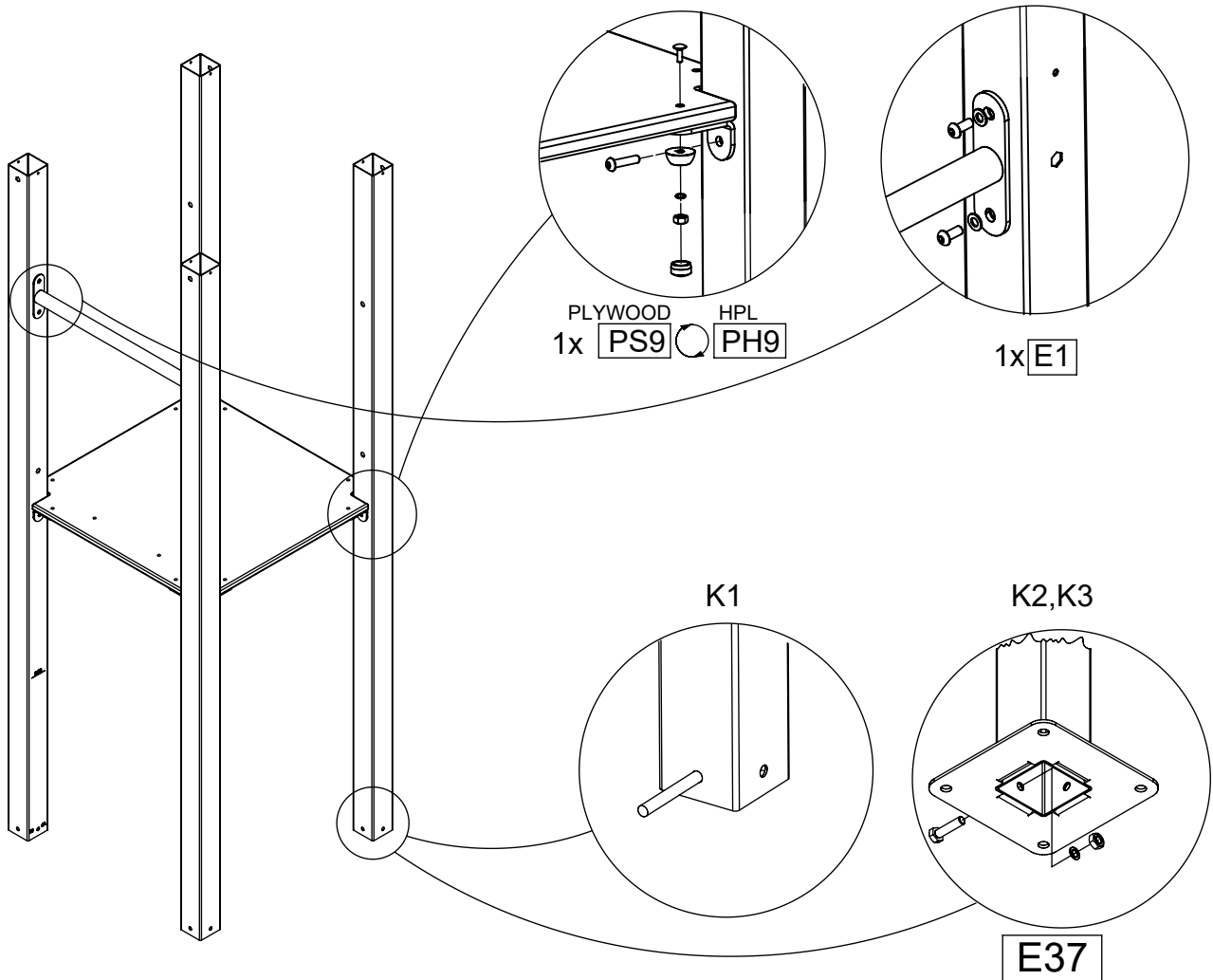
994146
x1

K1,K2	K3	K2,K3
p78 x2	b219-2 x2	b231 x4

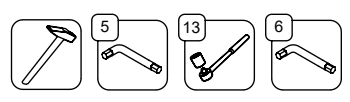
	HDPE	HPL	ST/INOX
2x	CE1	CL1	
1x	CE3	CL3	
1x	CE7	CL7	
1x	CE111	CL111	
1x	CE112	CL112	
1x			E1
1x			E34 ^{K1,K3}
1x			E35 ^{K2}
			E37 ^{K2,K3}
1x			V001

	PLYWOOD	HPL
1x	PS9	PH9
1x	PS19 ^{S1}	PH19 ^{S1}
1x	PS41 ^{S6}	PH41 ^{S6}

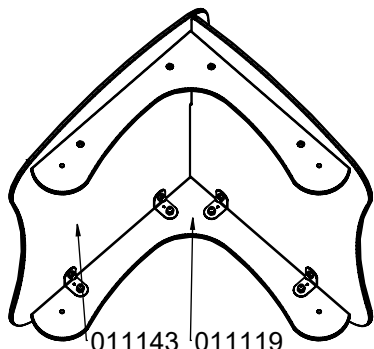




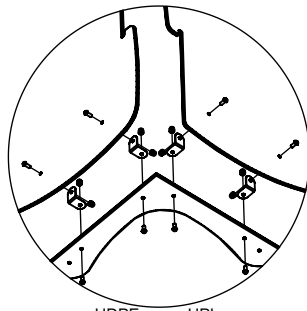
[cm]



vinci
play

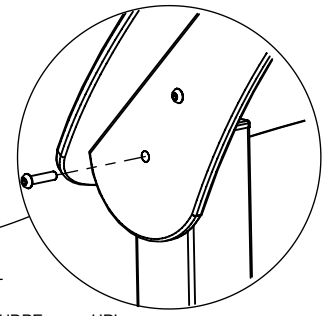
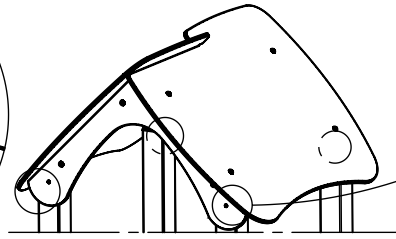


011143 011119
2x 2x



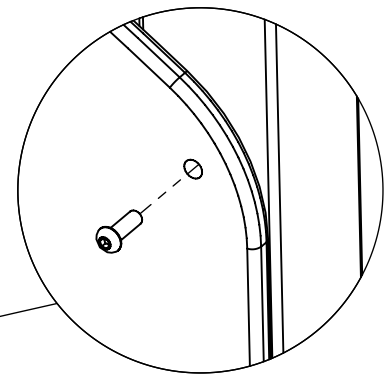
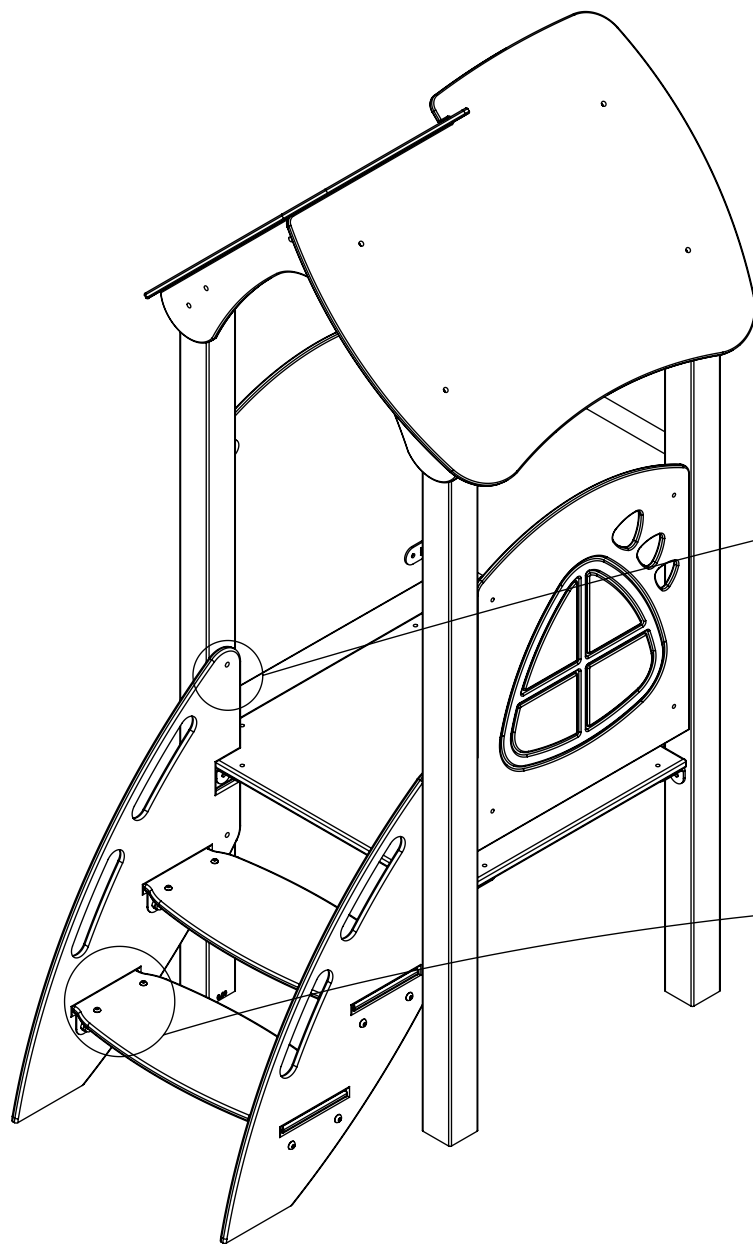
1x

HDPE	HPL
CE3	CL3



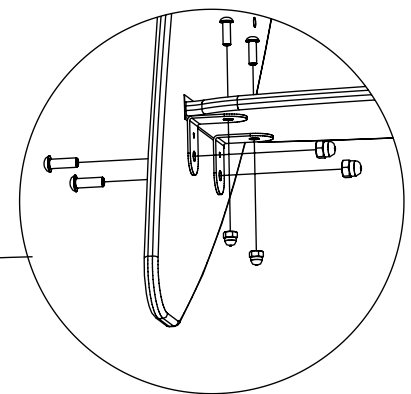
1x

HDPE	HPL
CE111	CL111



1x

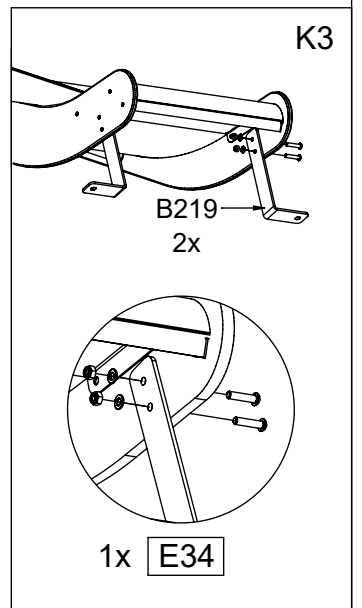
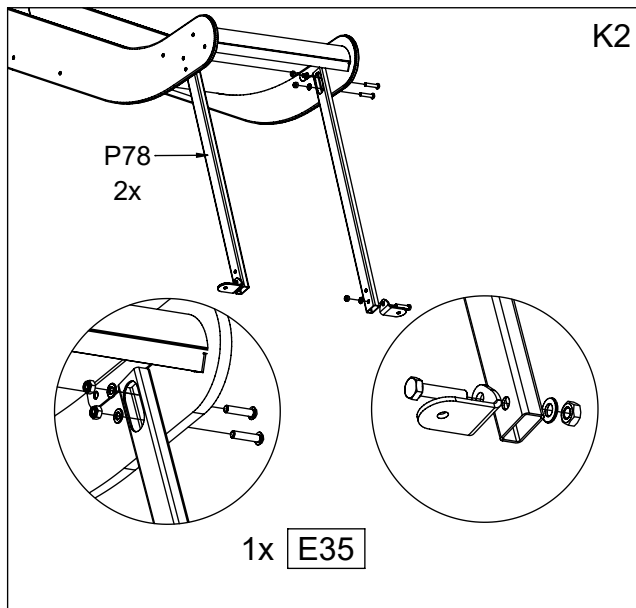
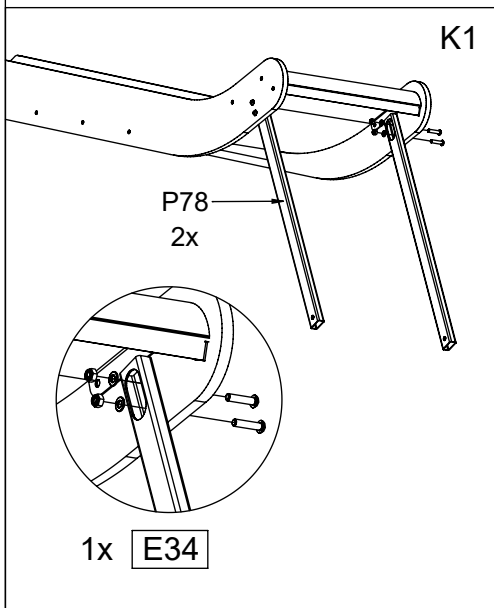
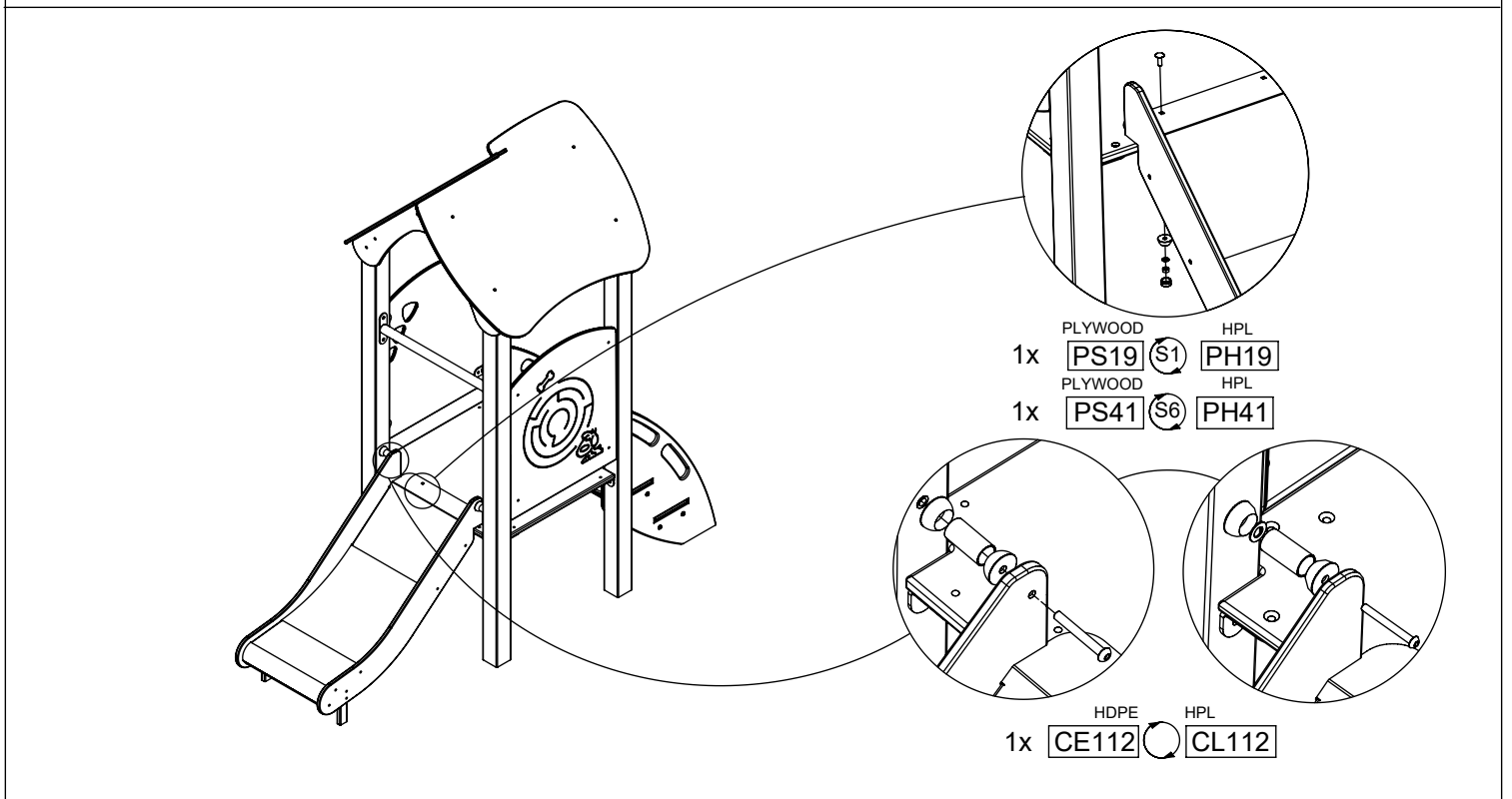
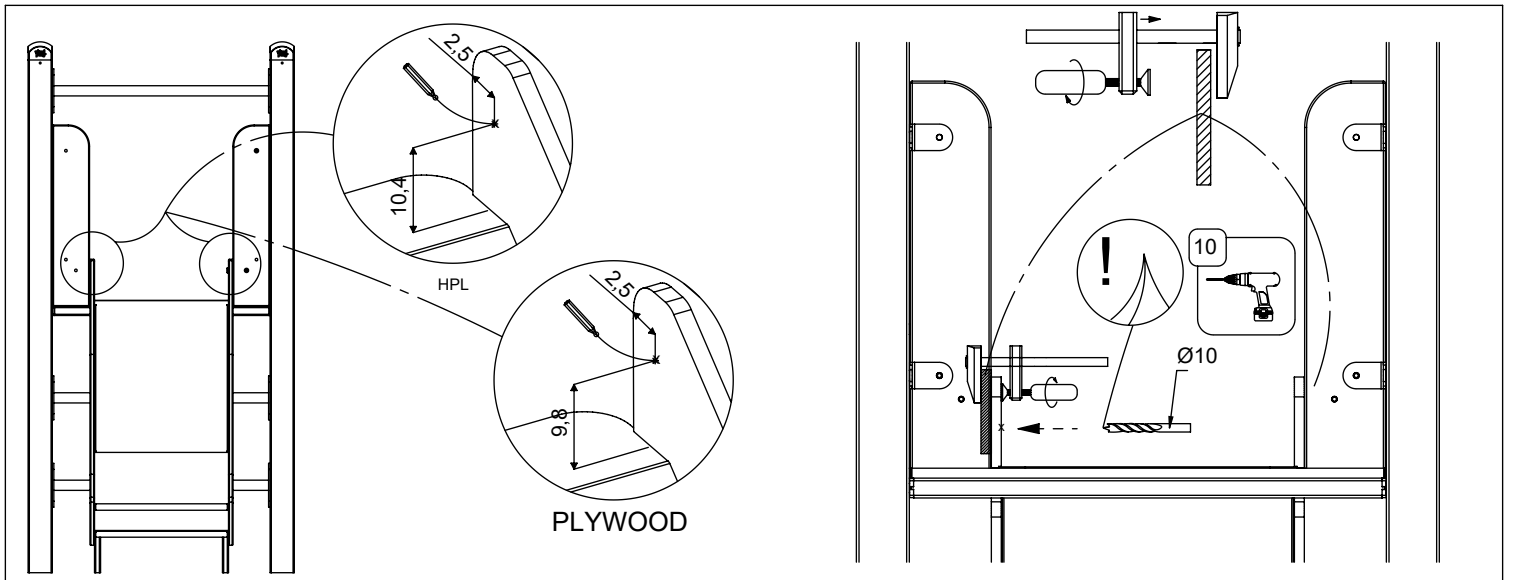
PLYWOOD	HPL
CE7	CL7



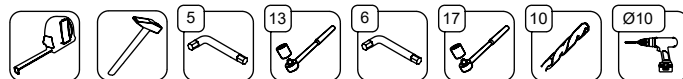
[cm]



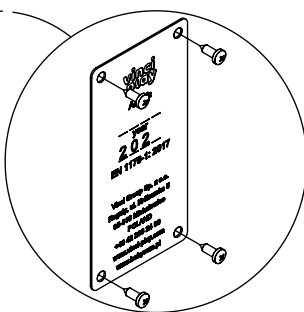
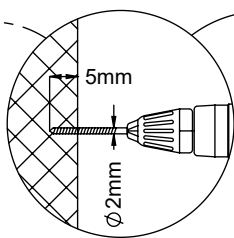
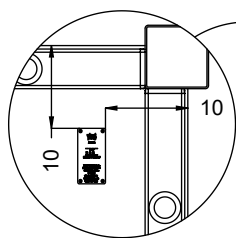
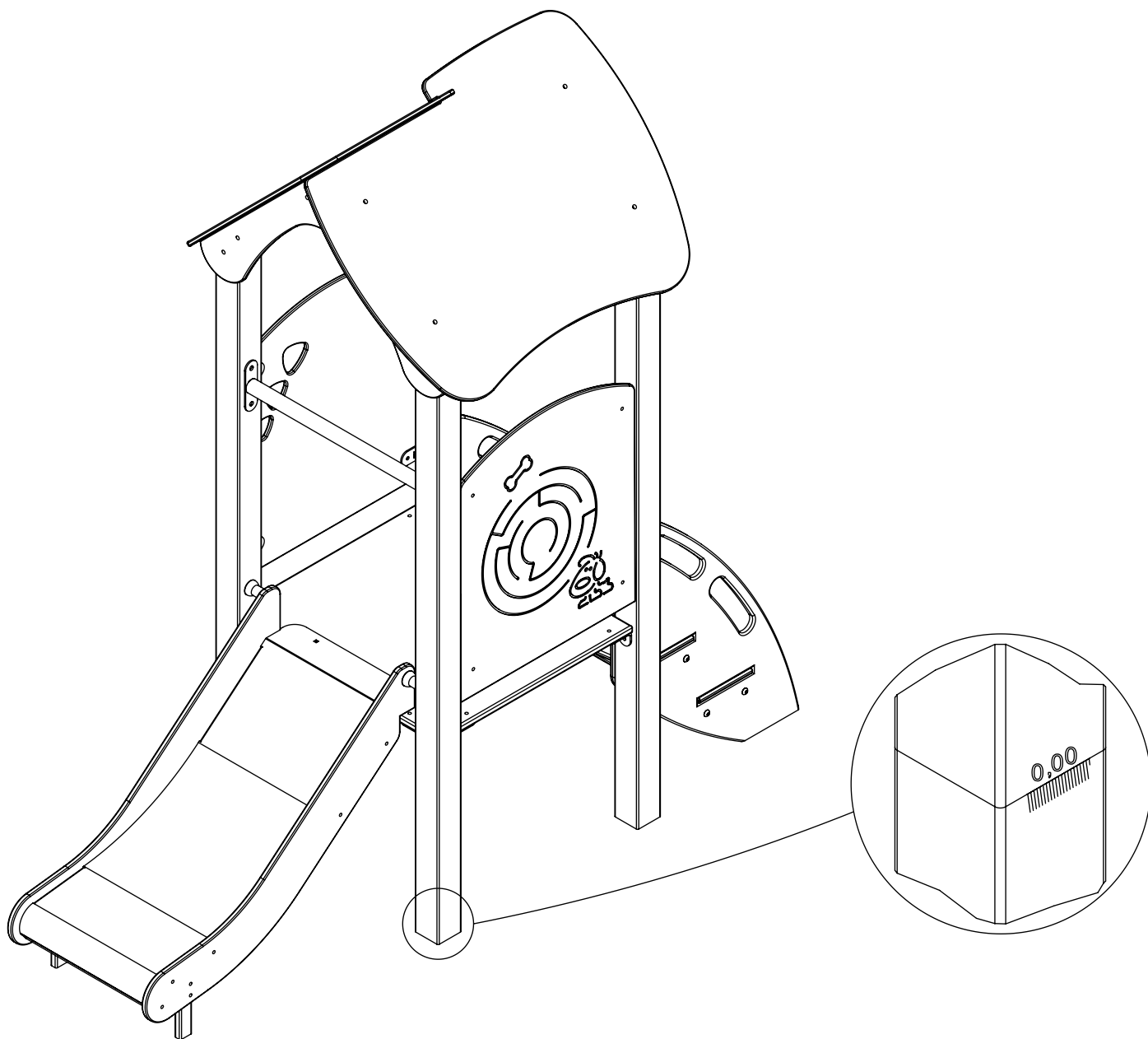
vinci
play



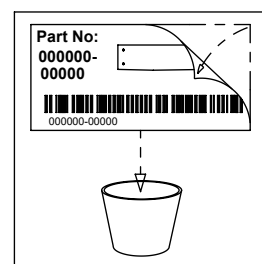
[cm]



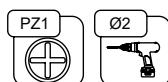
vinci
play



V001



[cm]



vinci
play