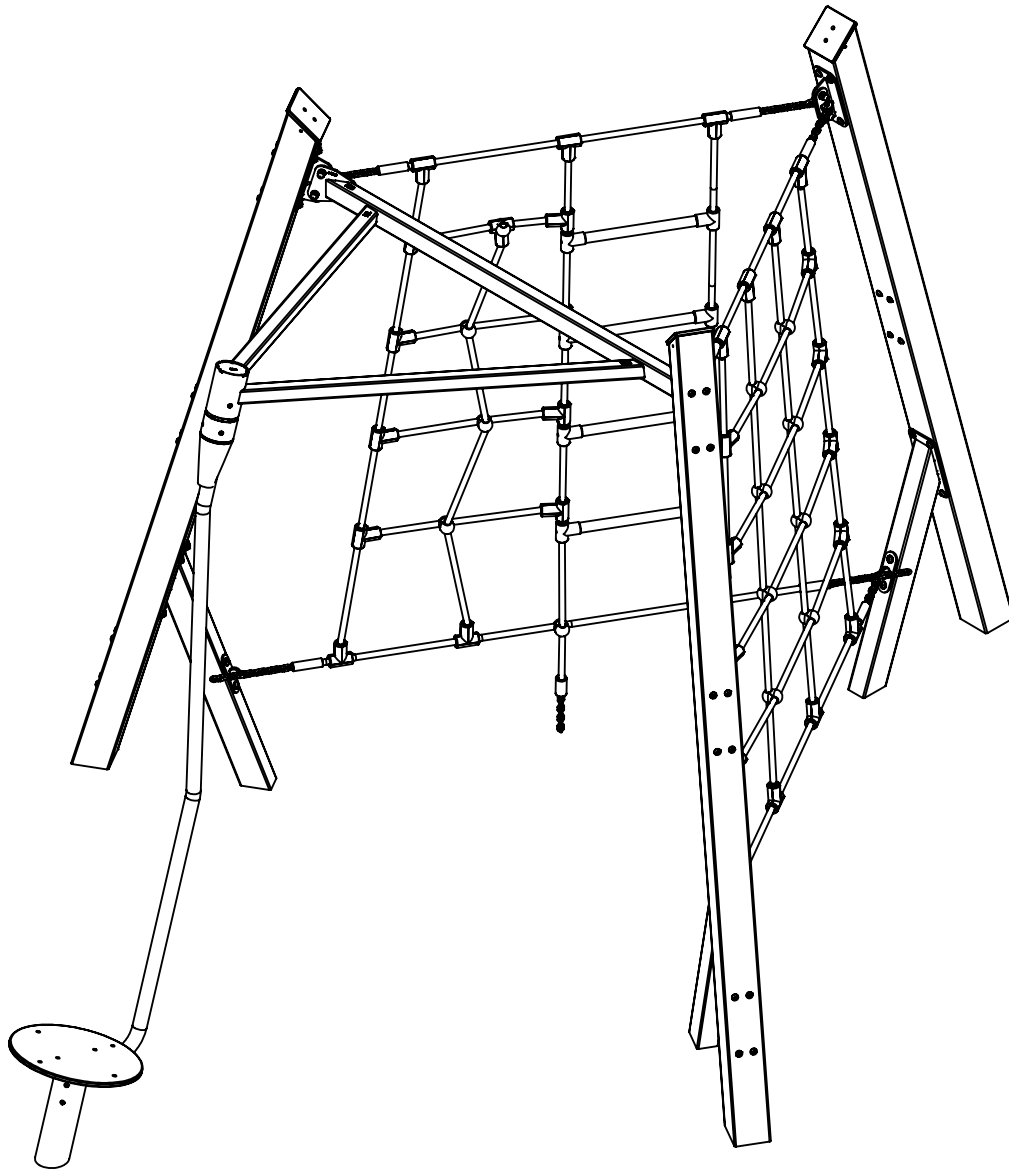
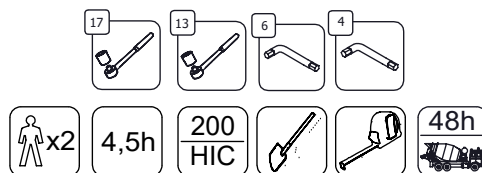


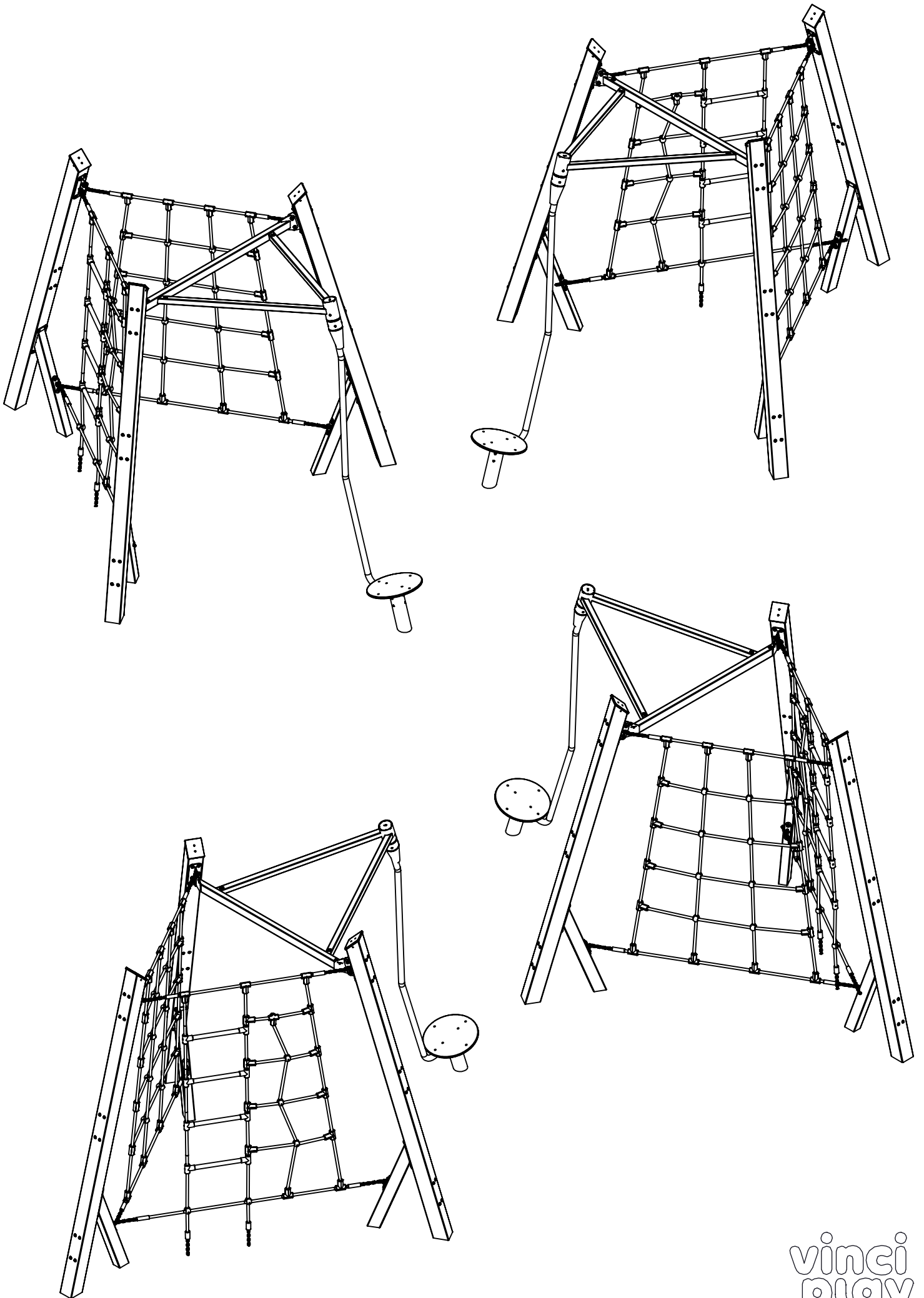
# 1632



v011  
20.10.2021  
A. D.  
[cm]

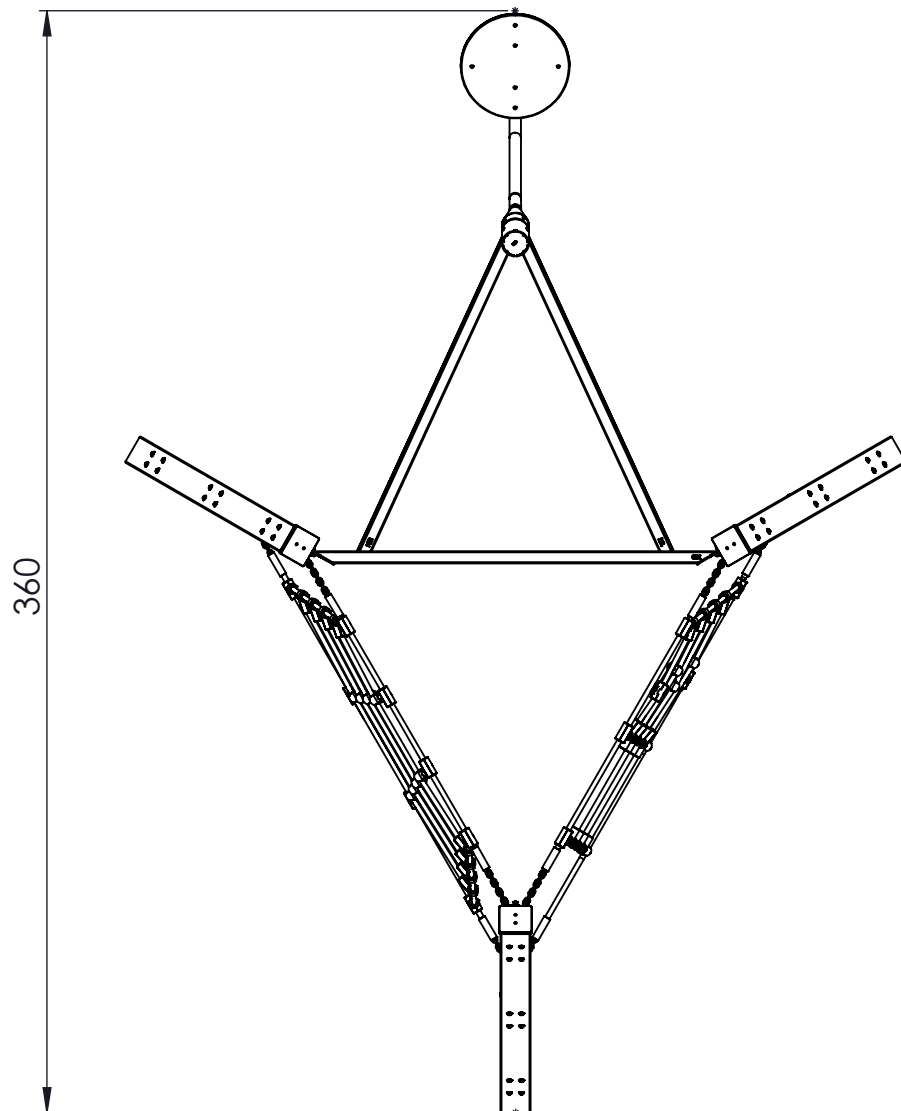
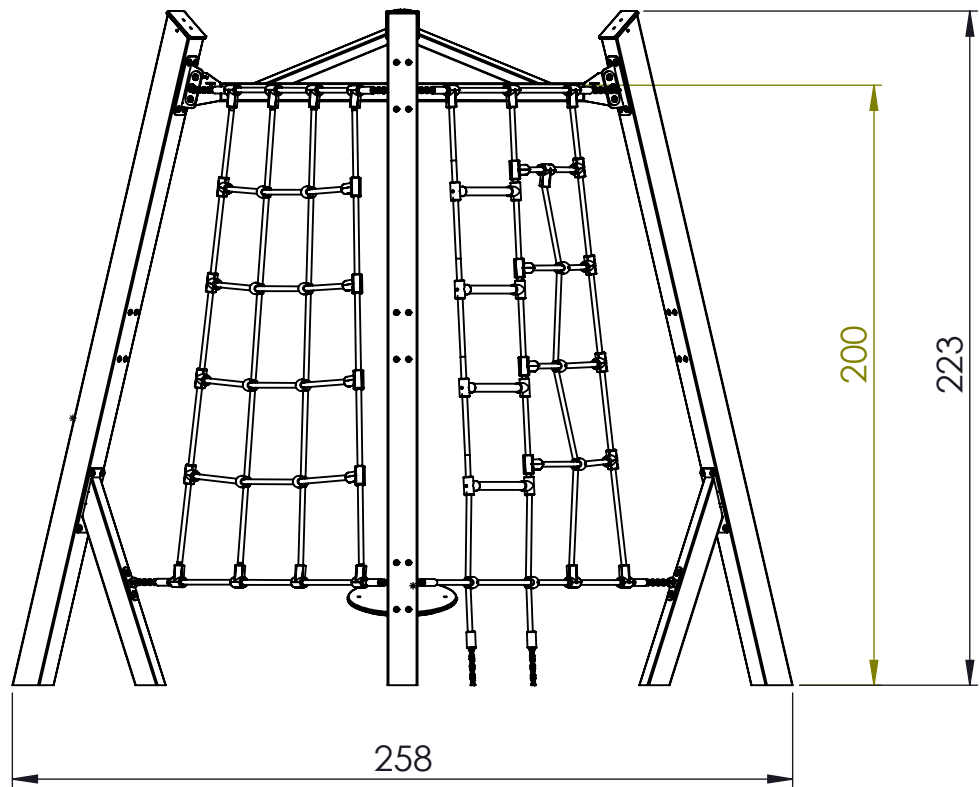


vinci  
play



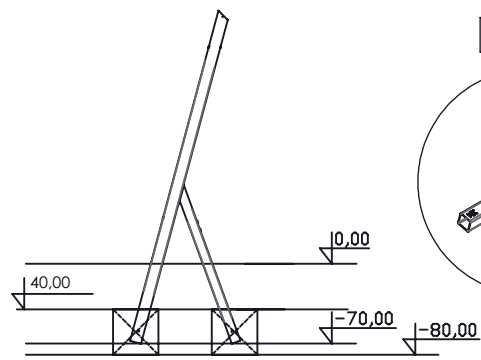
[cm]

vinci  
play

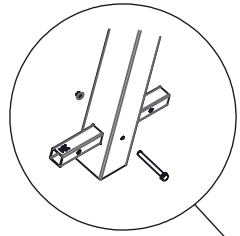


[cm]

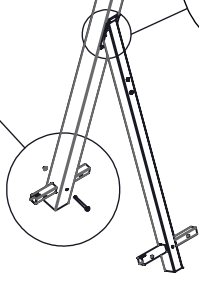
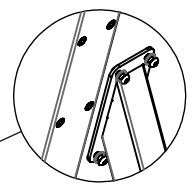
vinci  
play



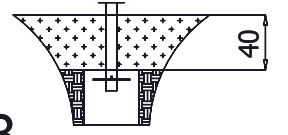
E90



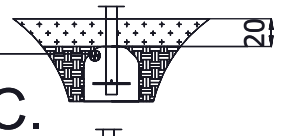
E1



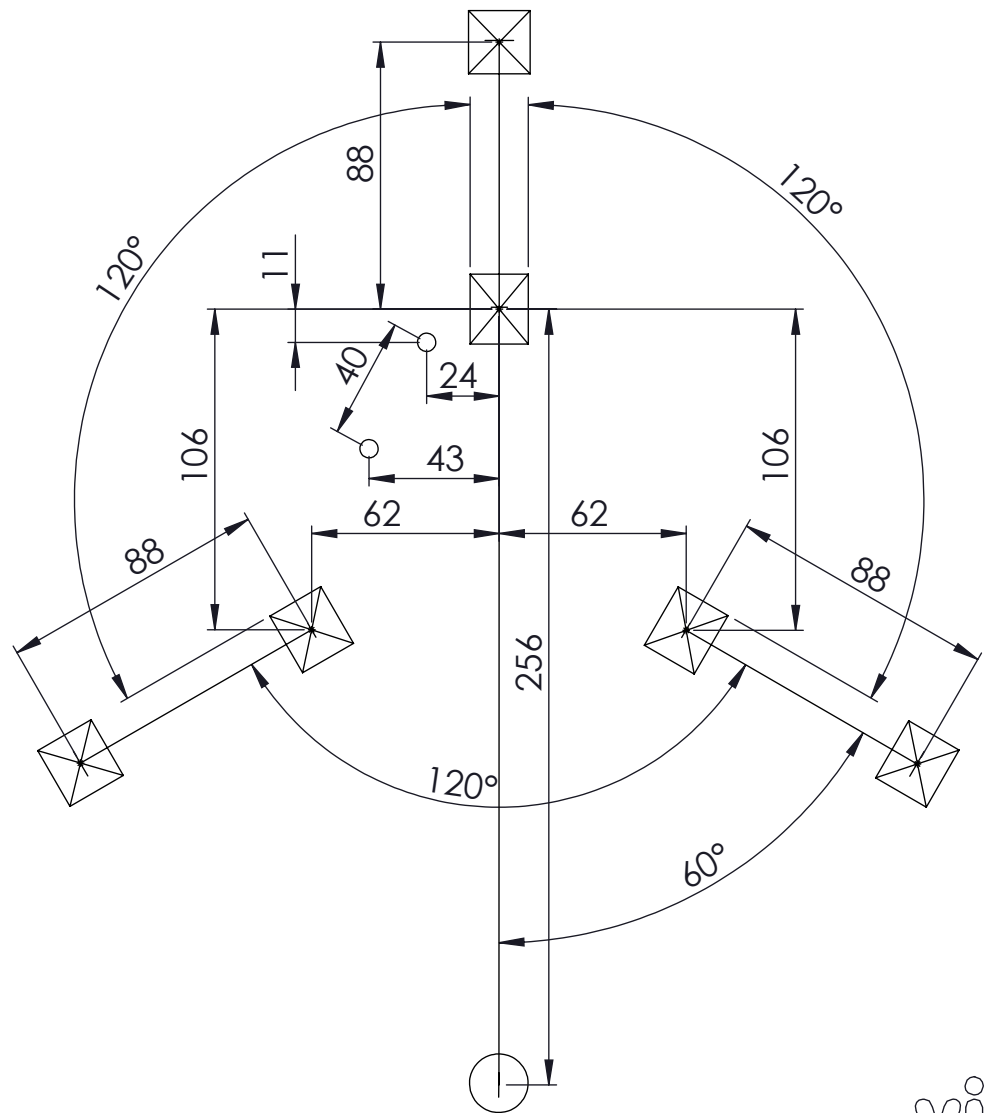
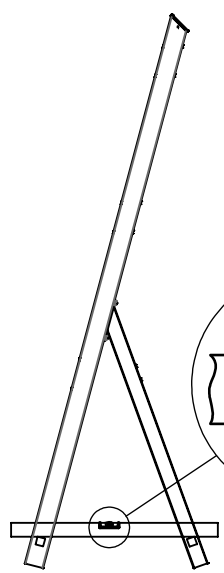
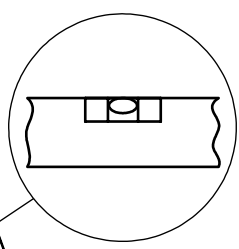
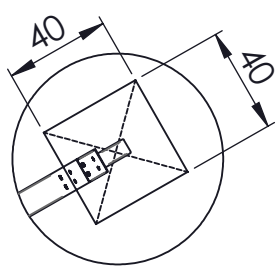
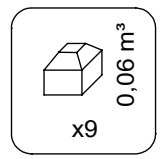
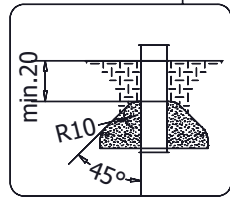
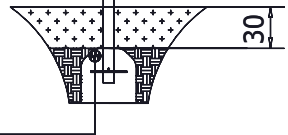
A.



B.

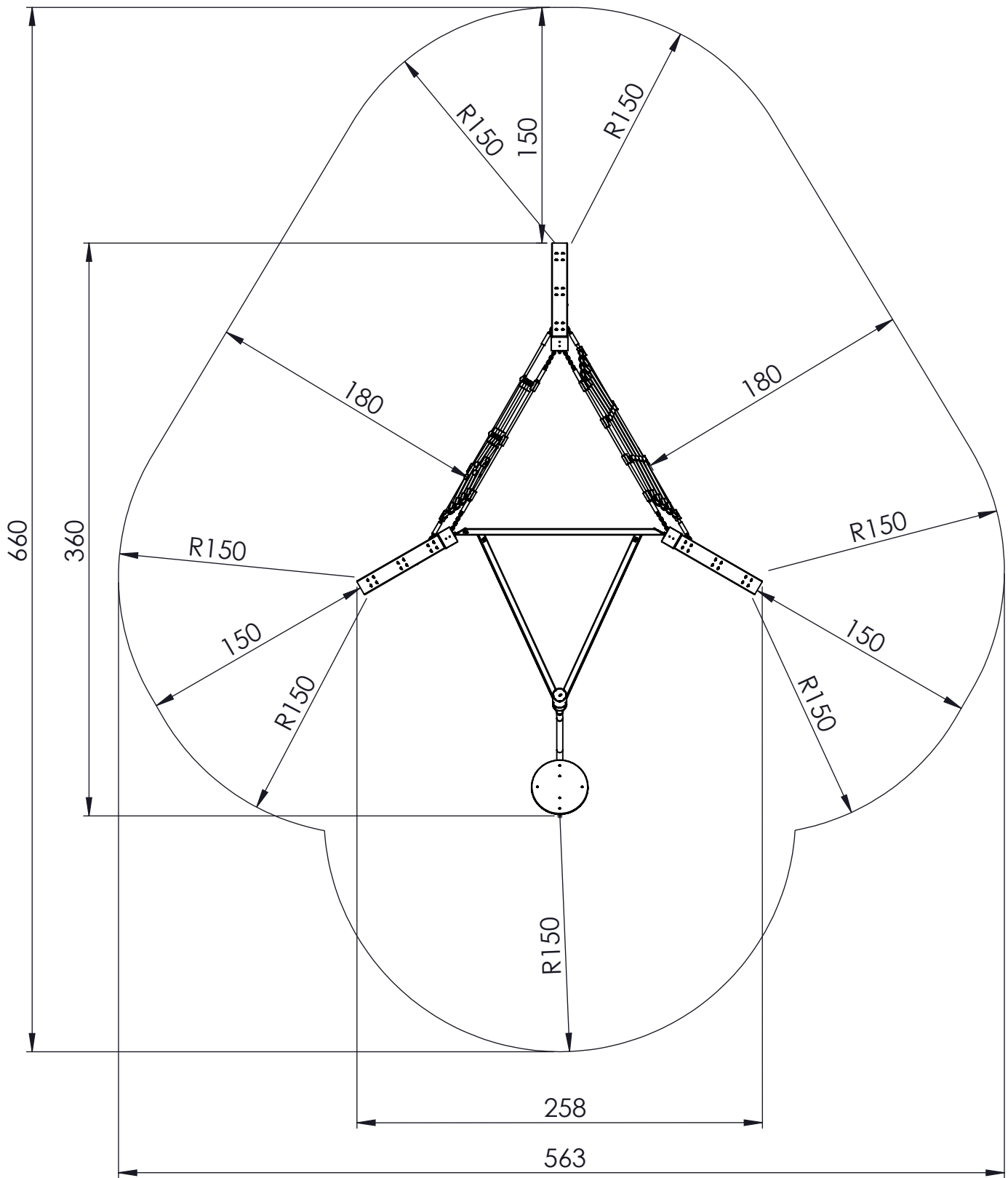


C.



[cm]

vinci play

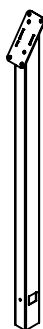


[cm]

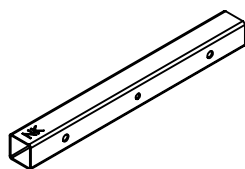
vinci  
play



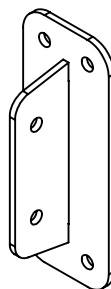
**164104**  
x3



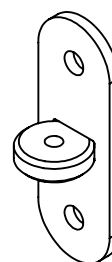
**162100**  
x3



**NK\_kotw\_1**  
x6



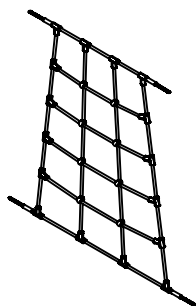
**162101**  
x3



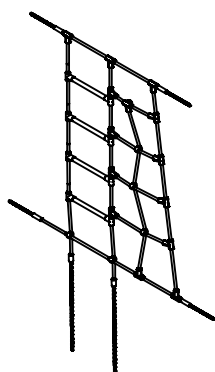
**162102**  
x4



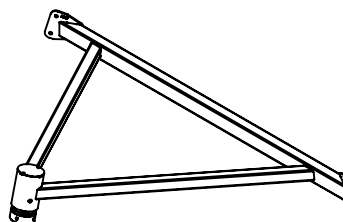
**162103**  
x3



**165111**  
x1



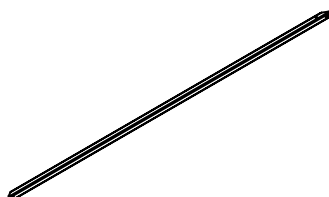
**165112**  
x1



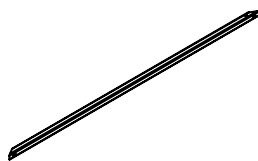
**164100**  
x1



**164102**  
x1

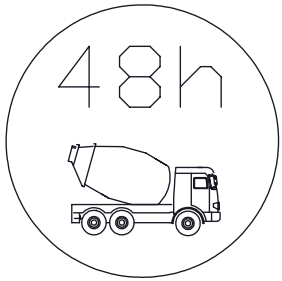


**163103**  
x2



**163104**  
x3

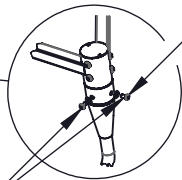
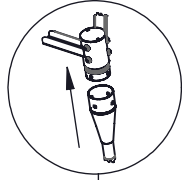
6x	E1
1x	E66
1x	E74
3x	E90
12x	E93
3x	E96
1x	E98
1x	E99
2x	WD52
1x	V002



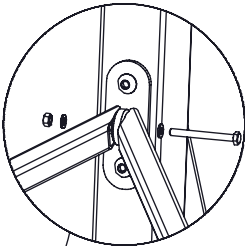
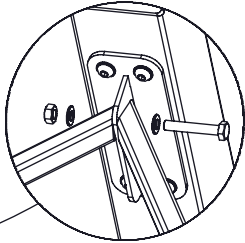
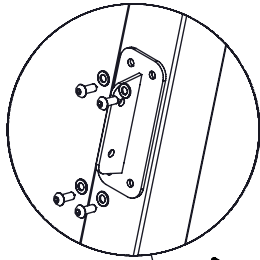
E74

E1

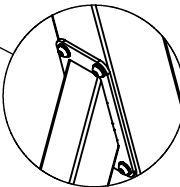
E98



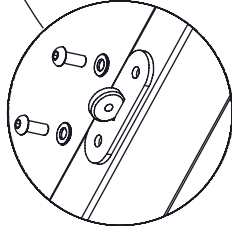
m10x20



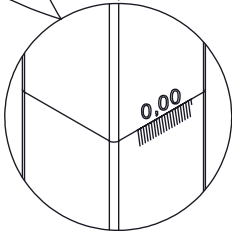
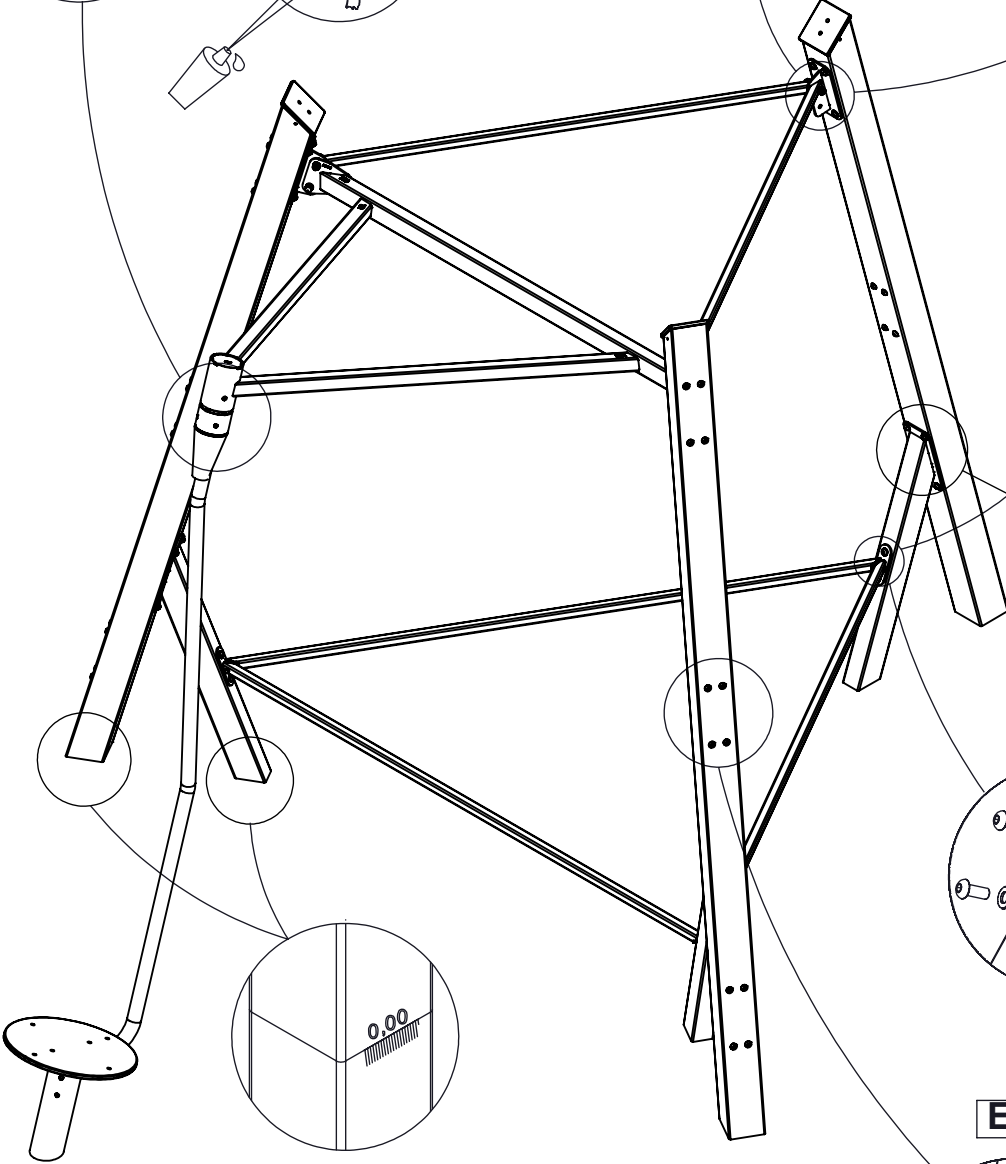
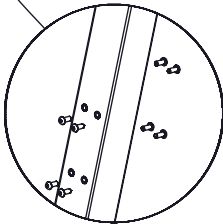
E1



E96

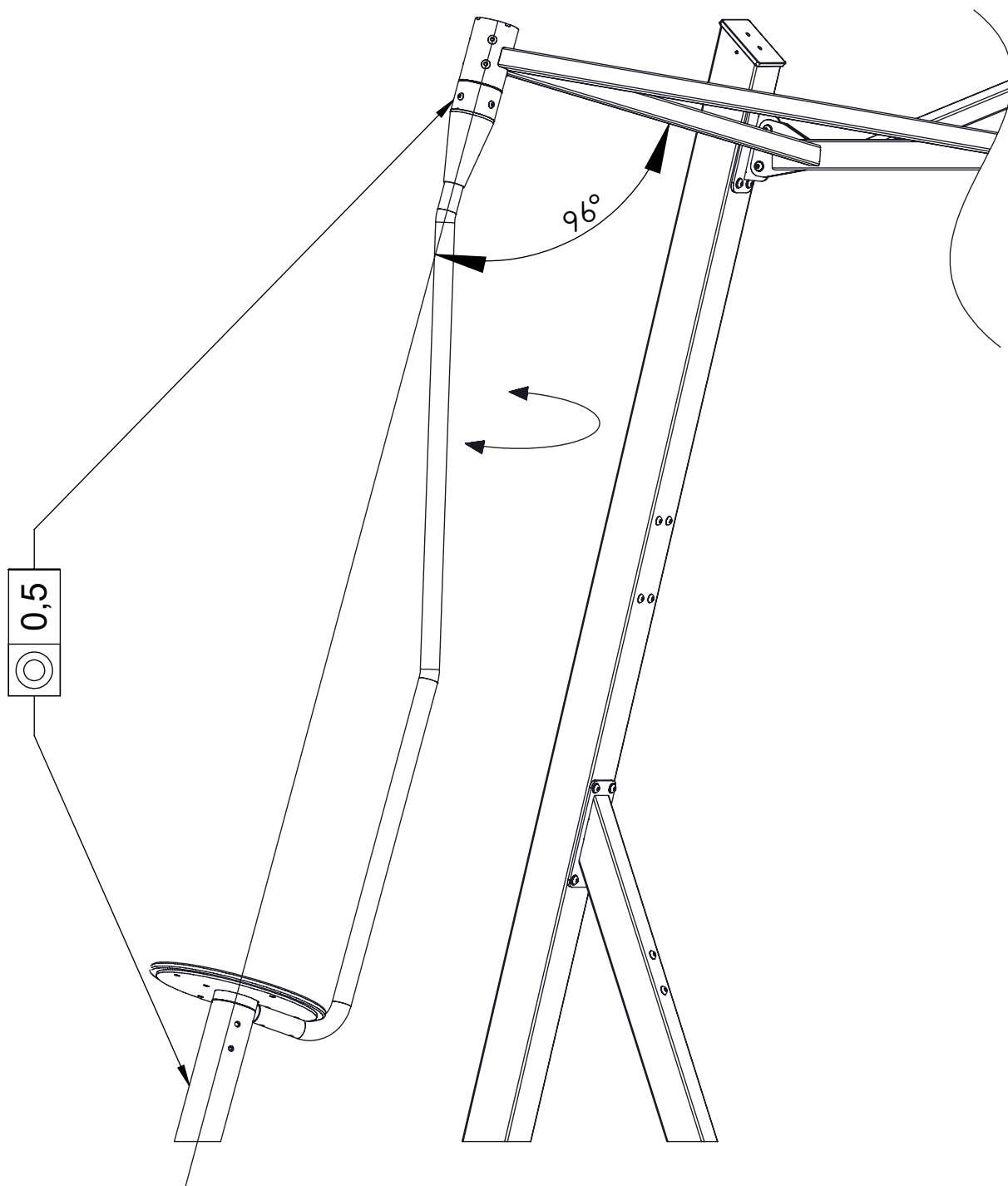


E93



[cm]

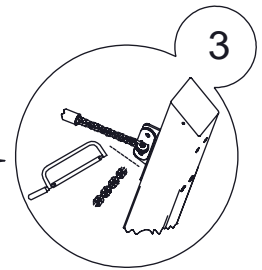
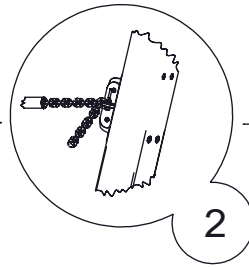
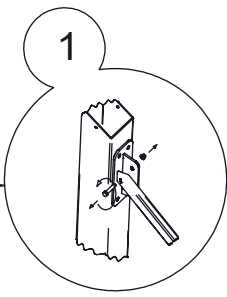
vinci  
play



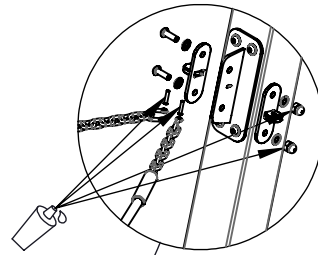
[cm]

vinci  
play

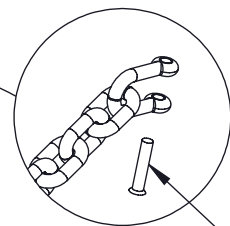




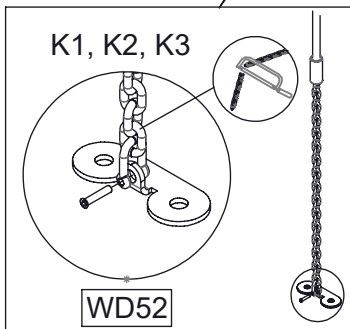
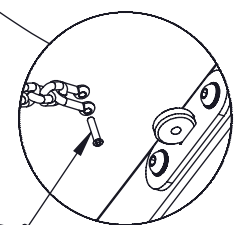
E99



E66

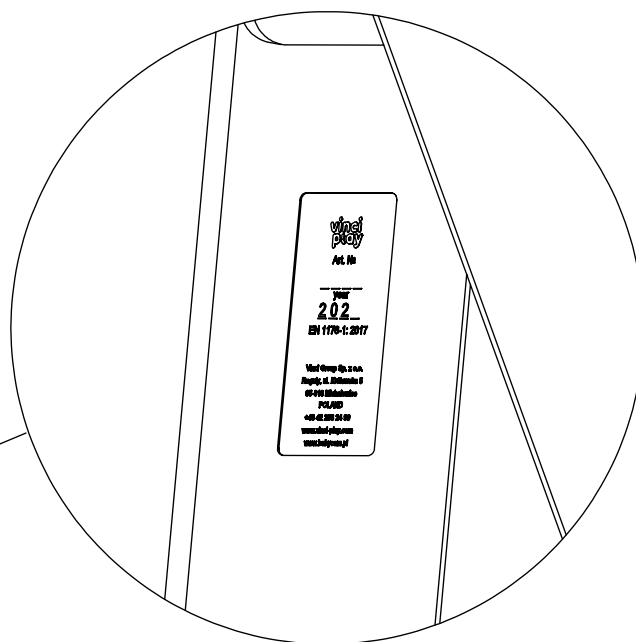
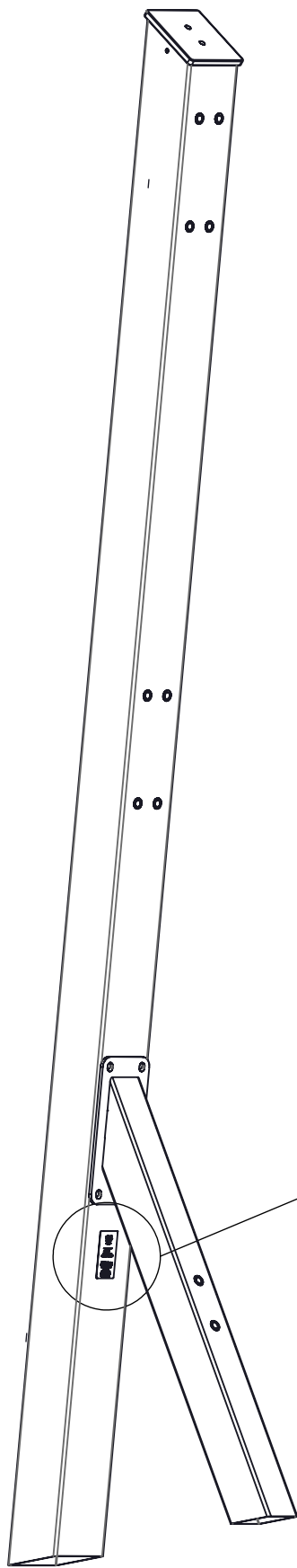


E96



[cm]

vinci  
play



1x V002

[cm]

vinci  
play