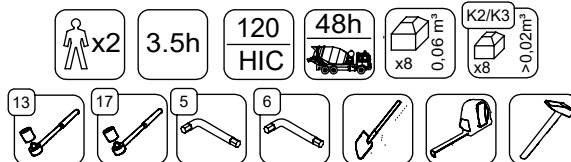
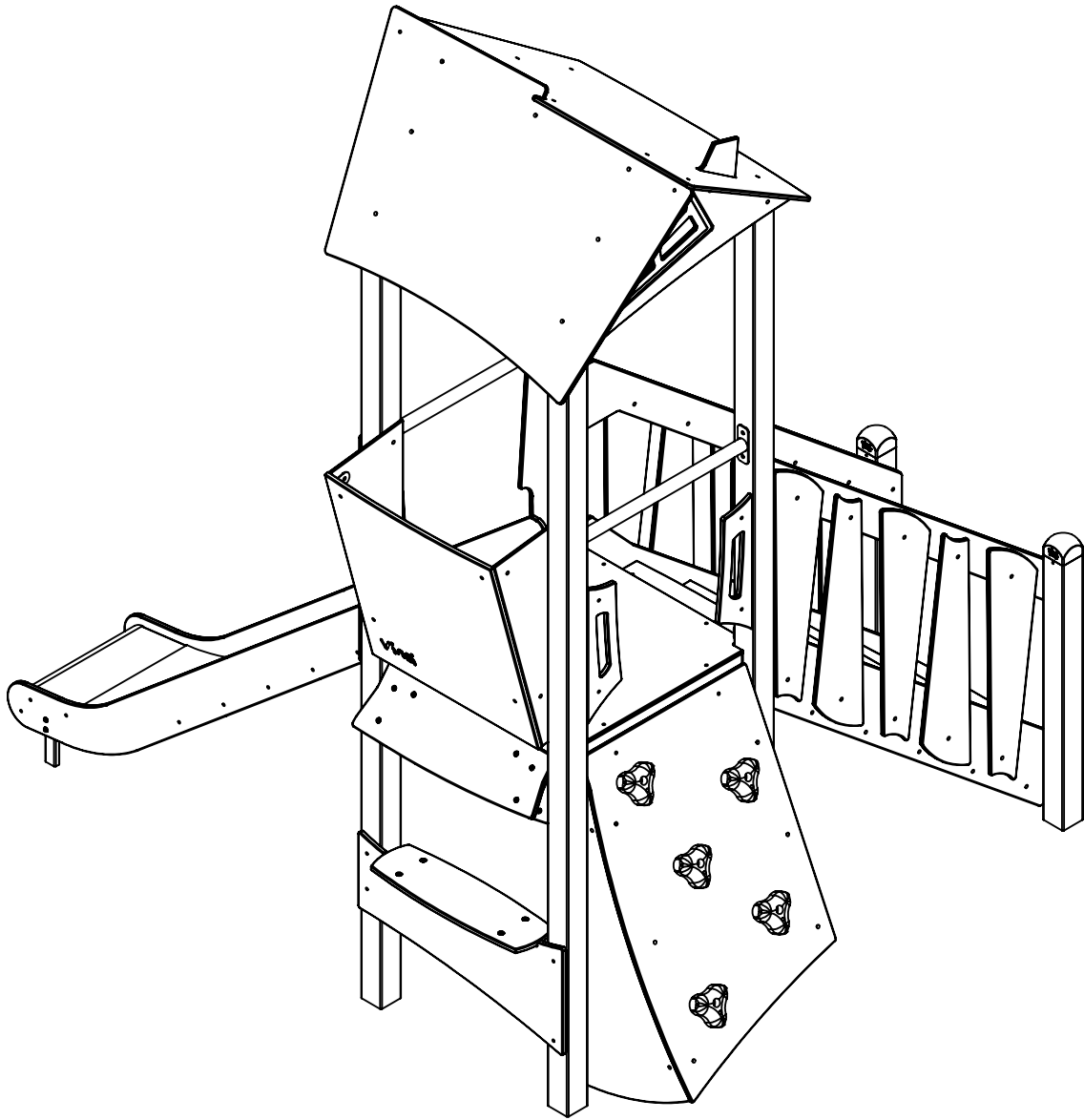


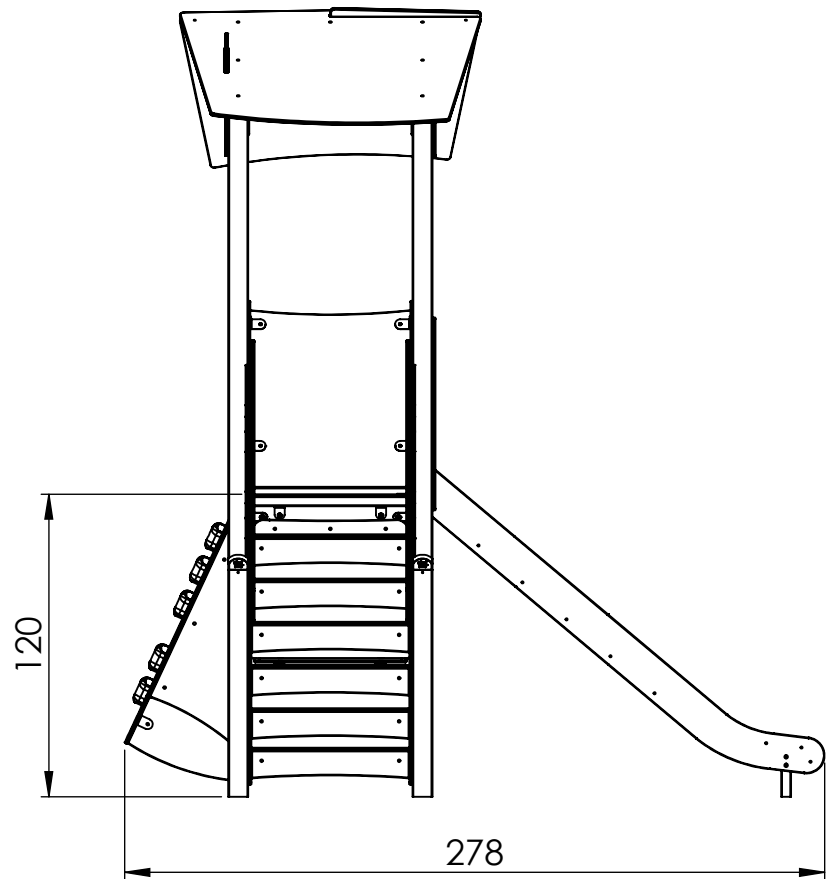
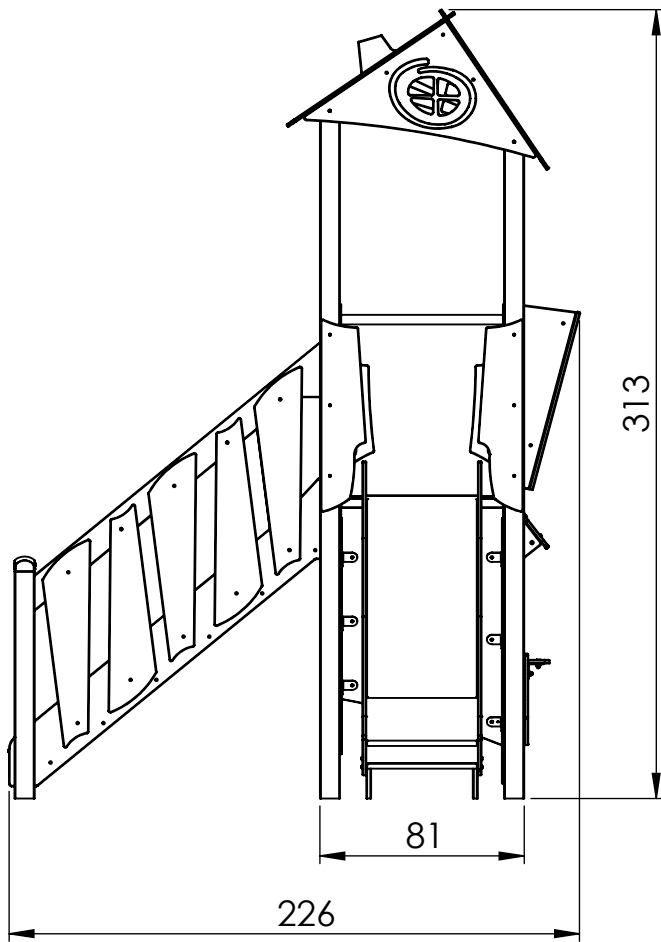
1702



[cm]

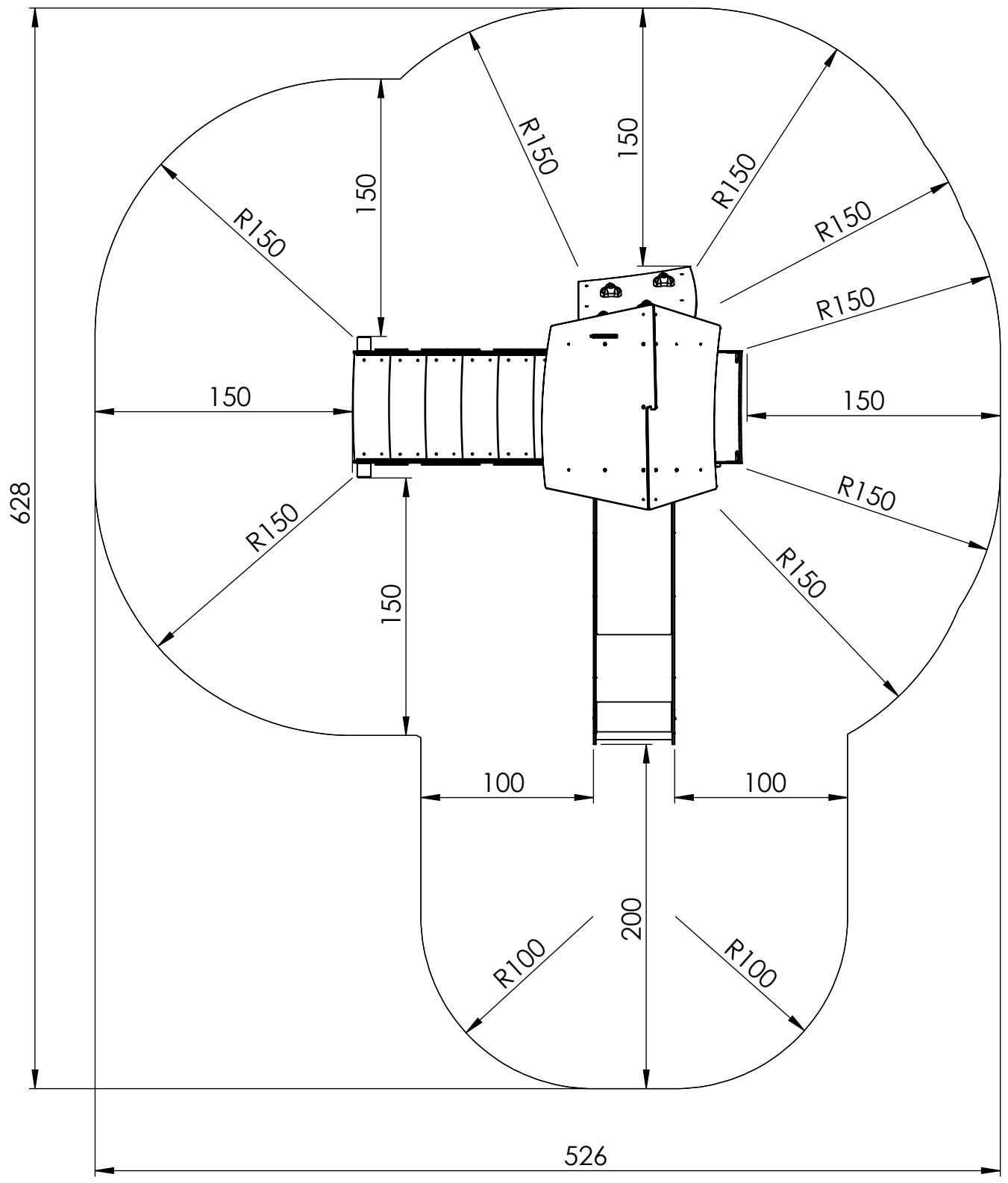
v013 / 17.02.2021
D.P.

vinci
play

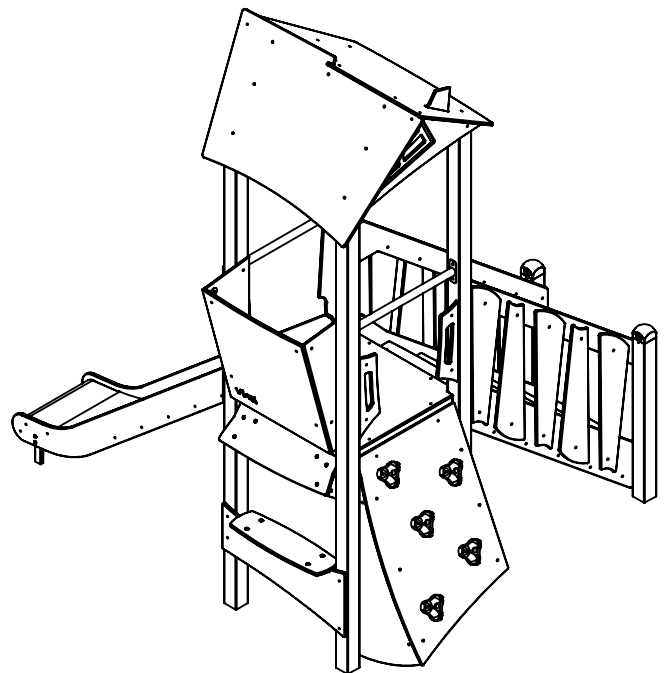
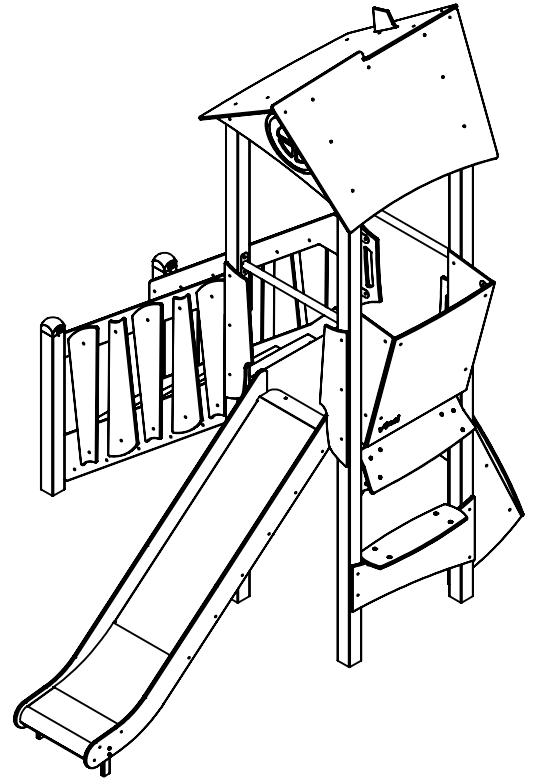
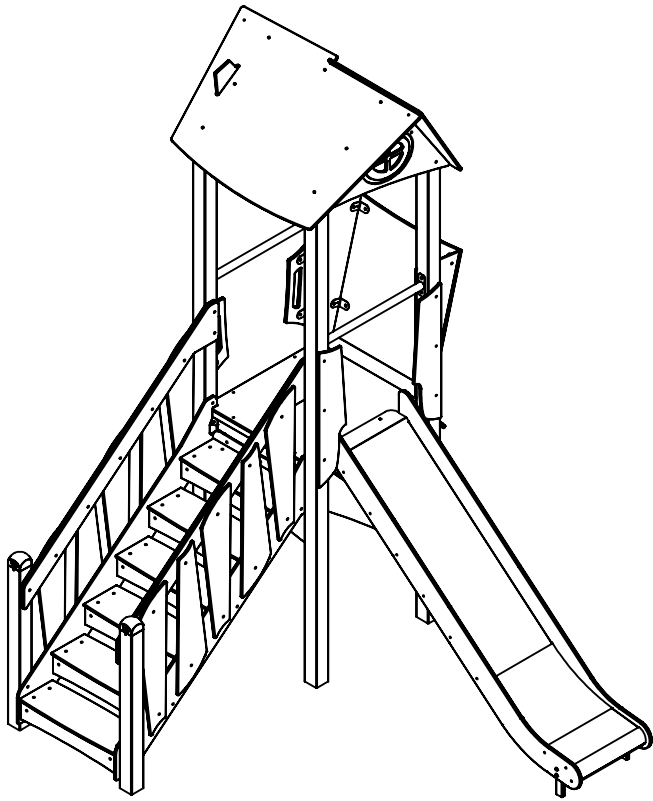


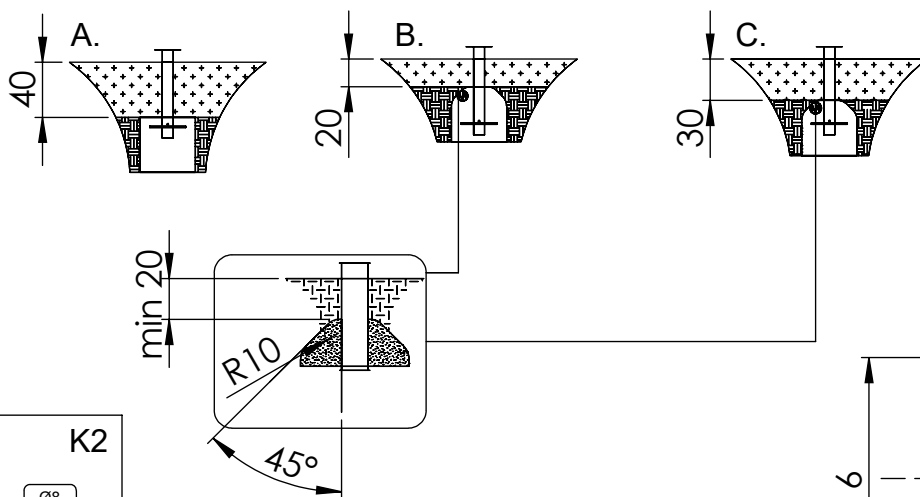
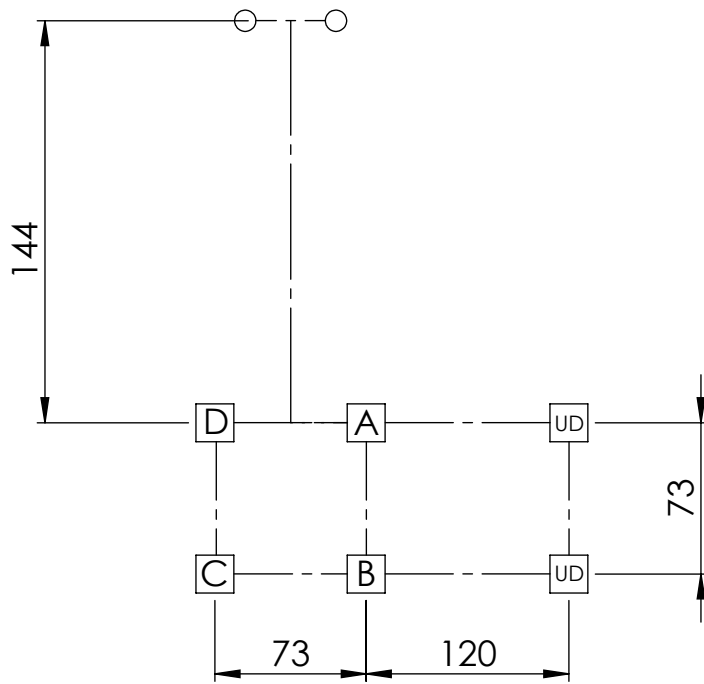
[cm]

vinci
play



[cm]





K2

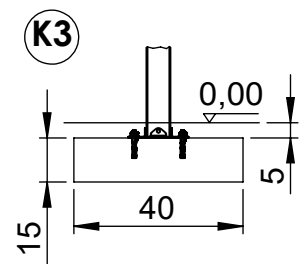
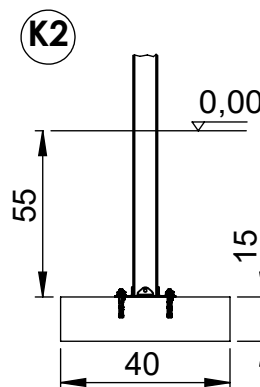
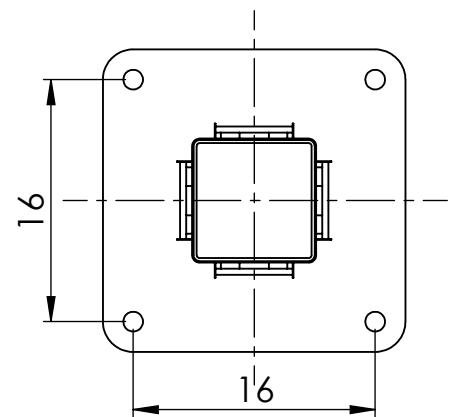
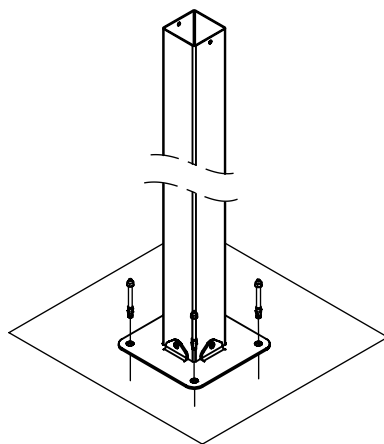
M8x120 x2
M10x120 x24

NOT INCLUDED

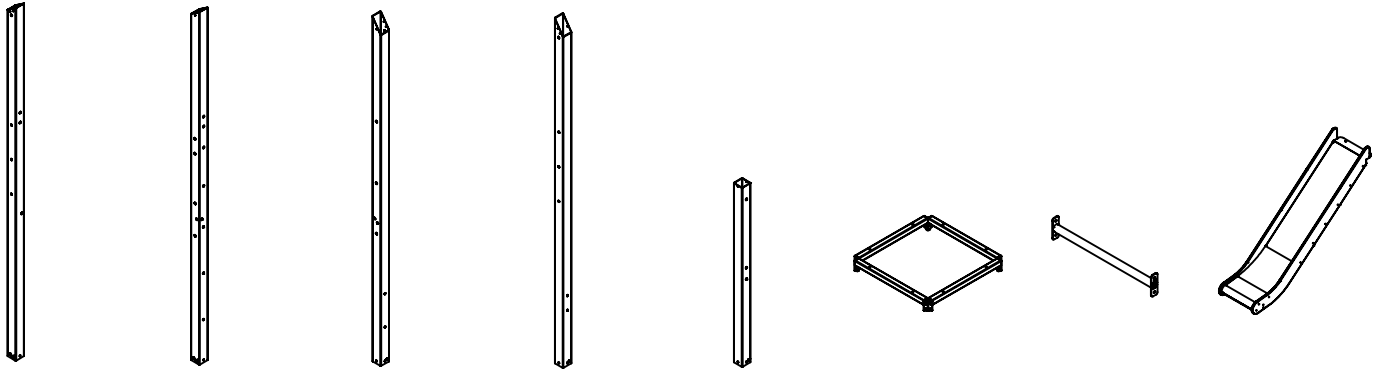
K3

M10x120 x28

NOT INCLUDED



[cm]



1702A
x1

17022B
x1

1702C
x1


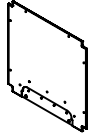

1702D
x1

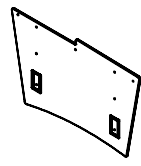
17UD
x2

172100
x1

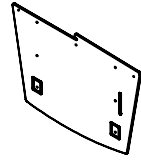
142117
x2

994104
x1

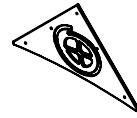
<p>S1</p>  <p>171122 x1</p>	<p>S6</p>  <p>171234 x1</p>  <p>171233 x1</p>
---	---



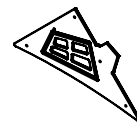
171100
x1



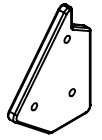
171101
x1



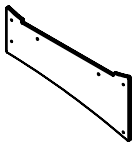
171102
x1



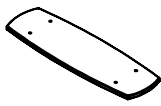
171103
x1



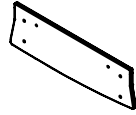
171106
x2



171107
x1



171108
x1



171105
x1



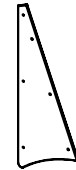
171104
x1



141137
x2



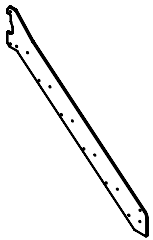
171109
x1



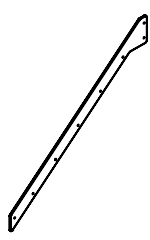
171110
x1



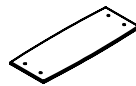
171137
x2



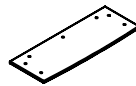
141342
x2



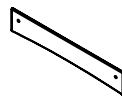
171129
x4



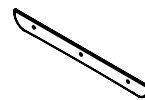
171131
x5



171134
x1



171132
x6




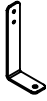

141345
x1



171130
x10



171112
x2

<p>K2, K3</p>  <p>b231 x6</p>	<p>K3</p>  <p>b219-2 x2</p>	<p>K1, K2</p>  <p>P78 x2</p>
---	---	--



171111
x1

Qty.	ST/INOX
24	10 pp**
24	10 nh**
24	10x20 m**
20	10x25 ikl
14	10x30 ikl
8	10 pp
12	8x25 ikl
4	8x30 ikl
10	10x40 ikl
1	17e034***
1	17e035*
1	V001

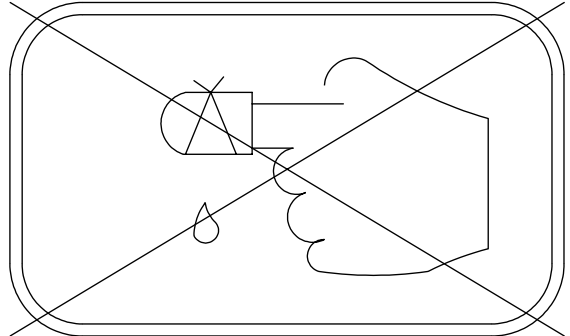
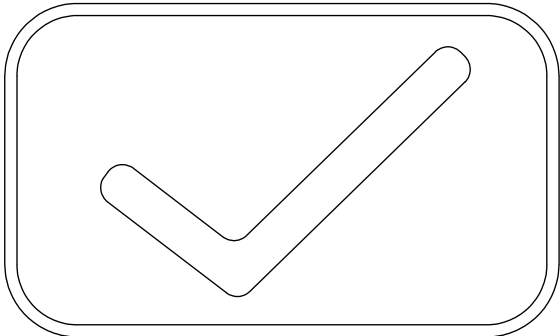
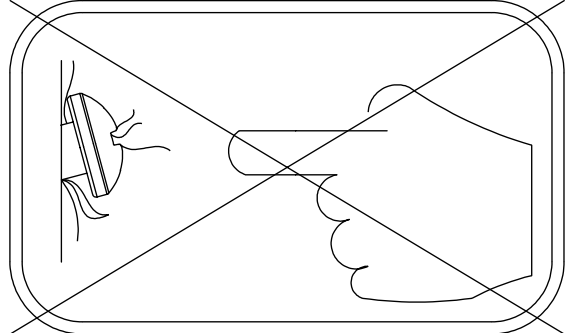
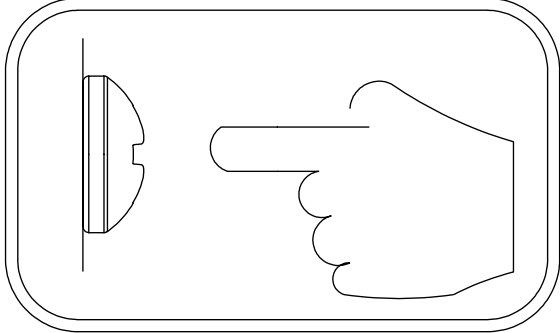
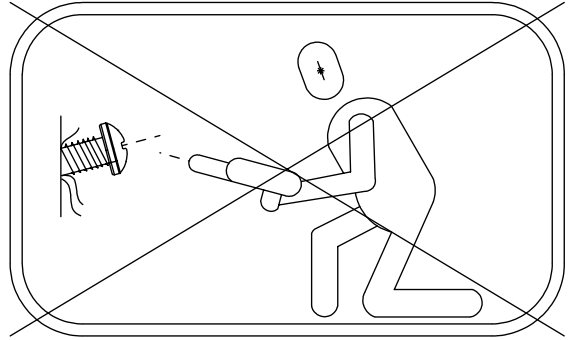
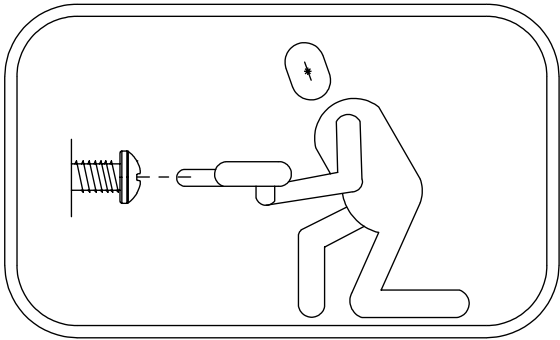
Qty.	HDPE
1	17c004
1	17c012
1	17c014
1	17c016
1	17c020
1	17c022
2	17c024
1	17c028

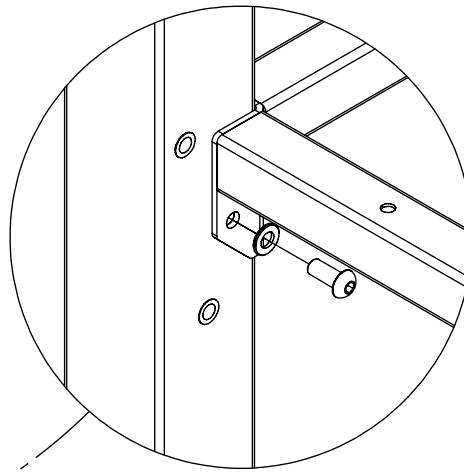
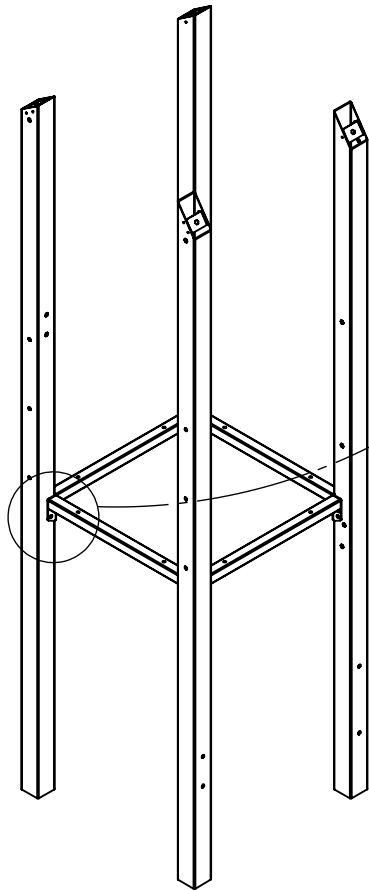
Qty.	HPL
1	17p001
1	17p013
1	17p015
1	17p017(s1)
1	17p019(s6)
2	17p021
6	17p025
1	17p027
1	17p061(s6)

*K2

**K2, K3

***K1, K3

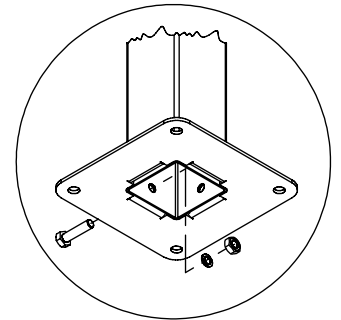




8x 10x25ikl

8x 10pp

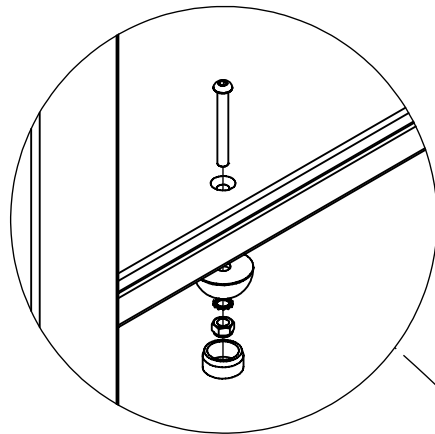
K2, K3



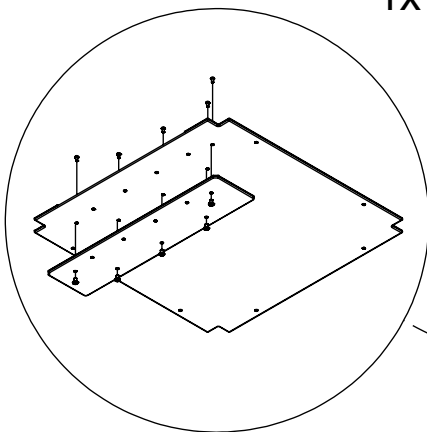
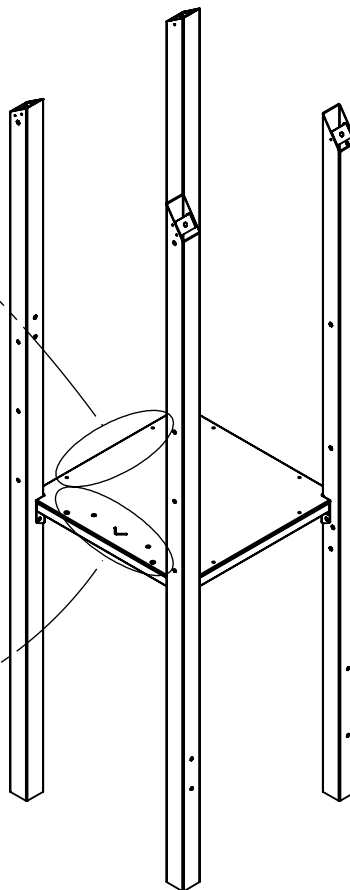
24x 10x20m

24x 10pp

24x 10nh

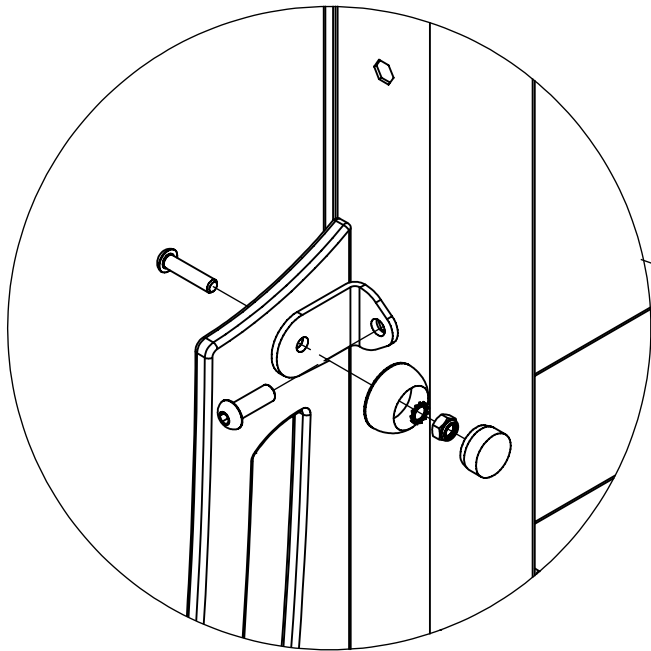


1x 17p001

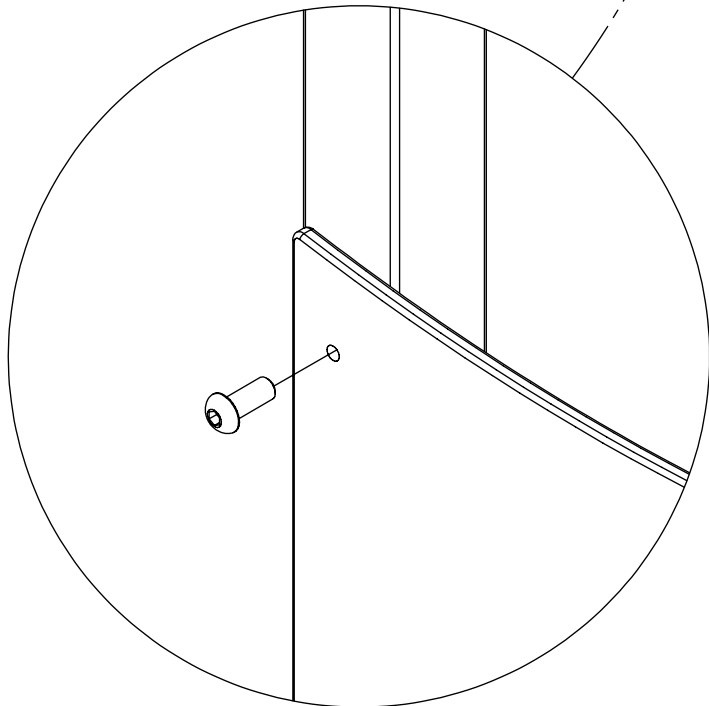
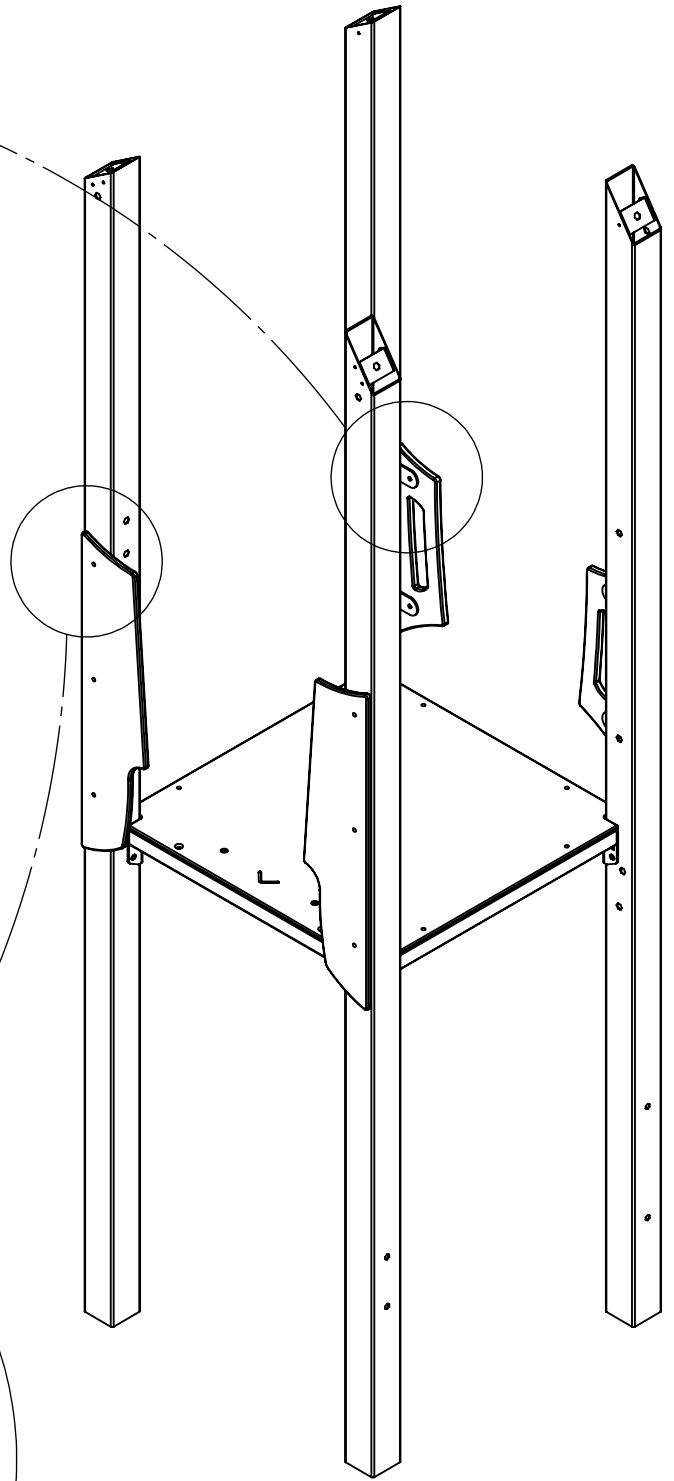


1x 17p061^{S6}

[cm]



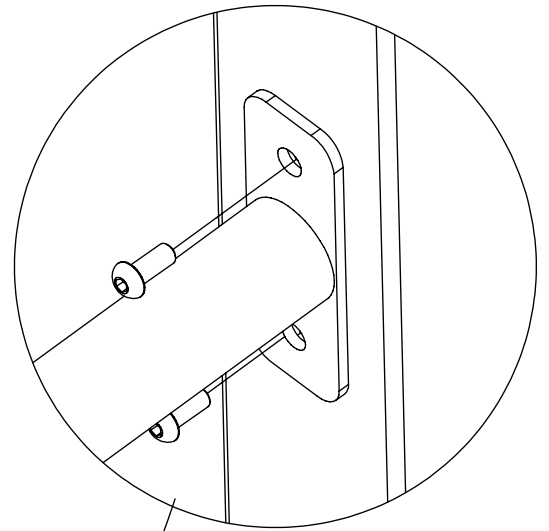
1x 17c004



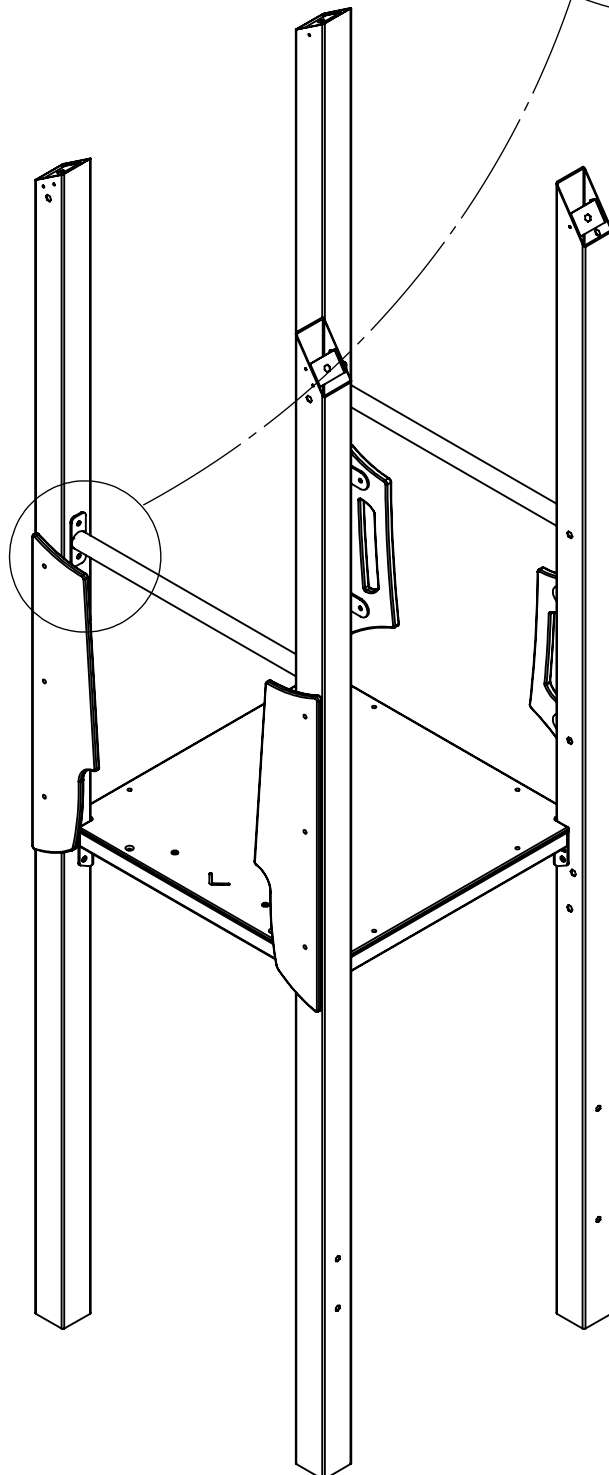
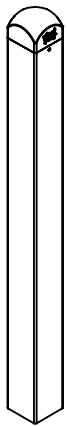
6x 8x25ikl

[cm]

vinci
play

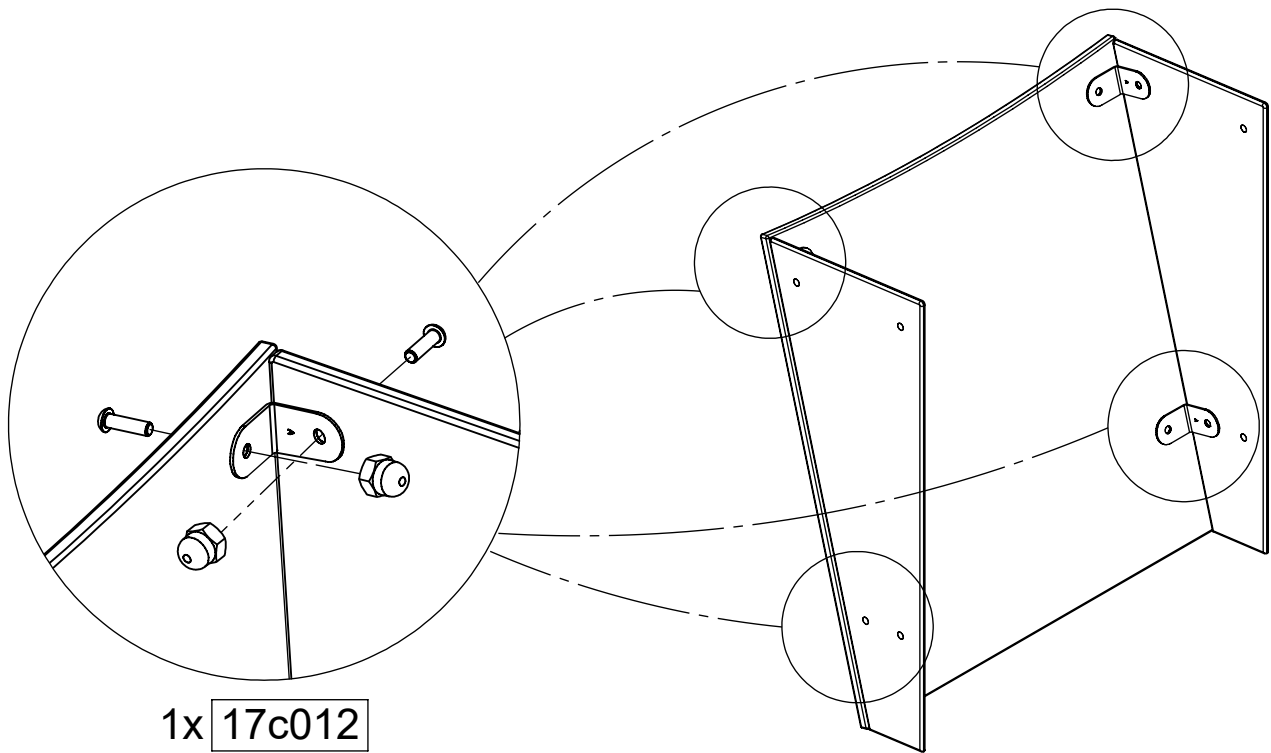


8x 10x25iki

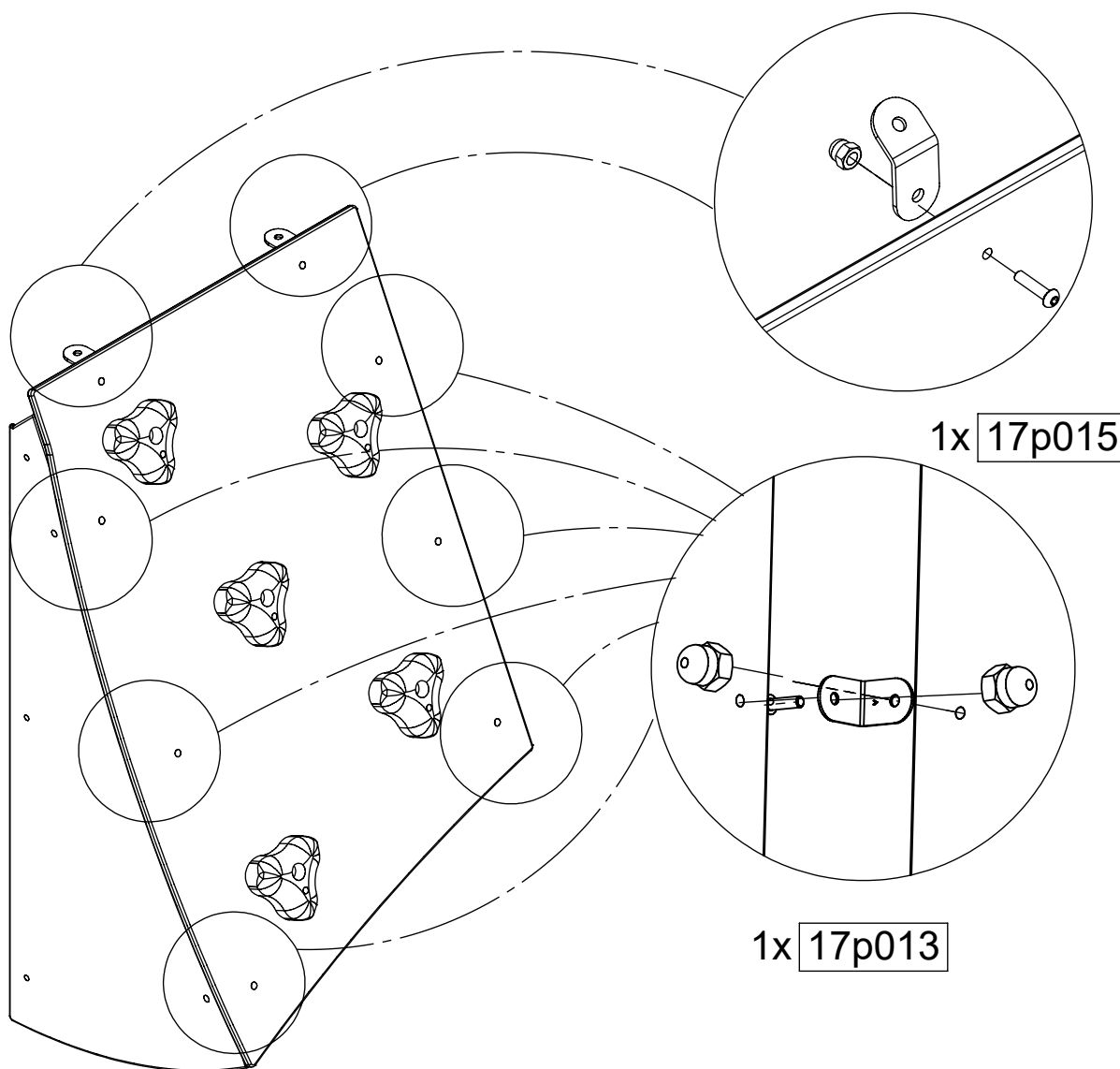


[cm]

vinci
play



1x 17c012

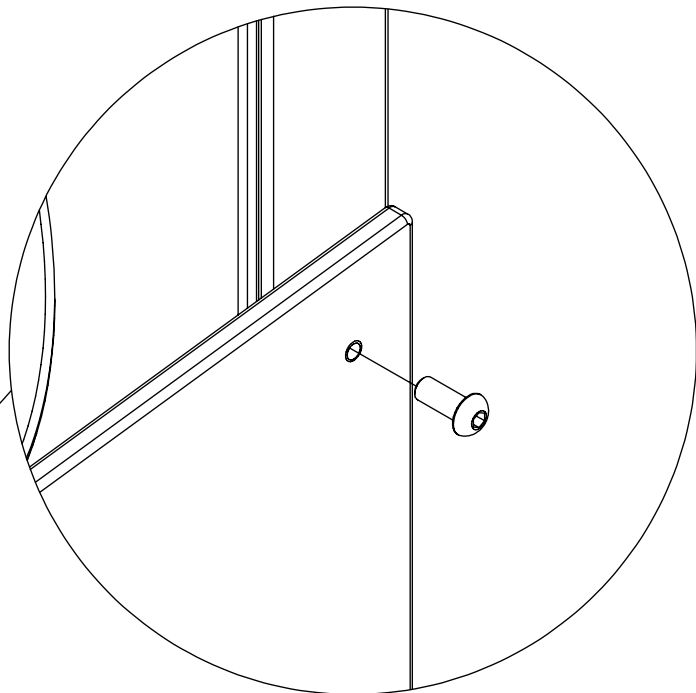
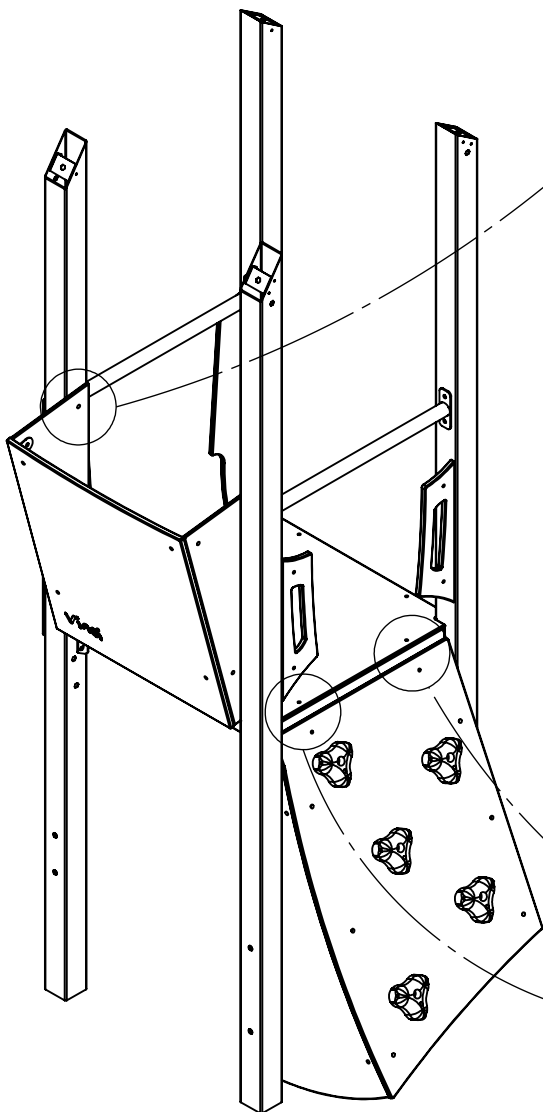


1x 17p015

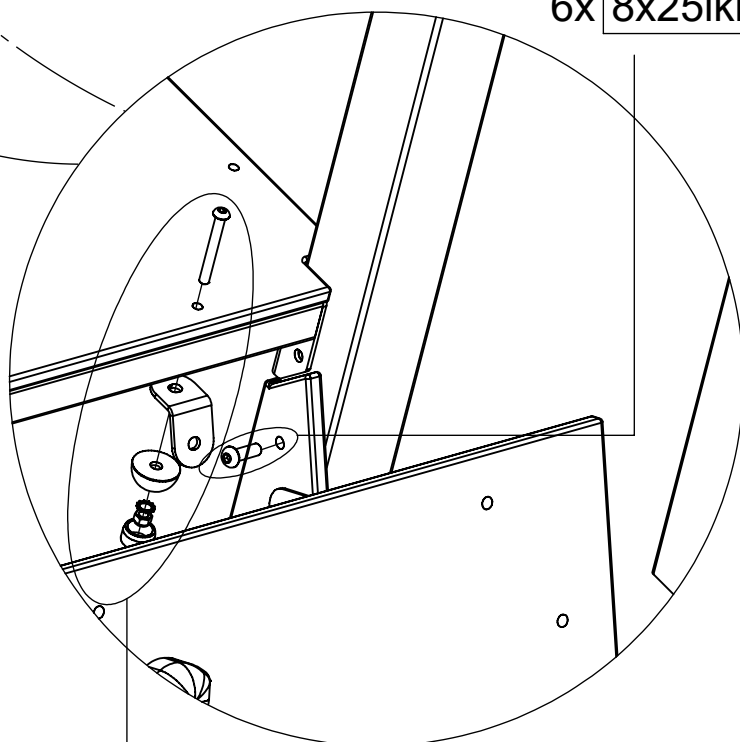
1x 17p013

[cm]

vinci
play



4x 10x25ikl



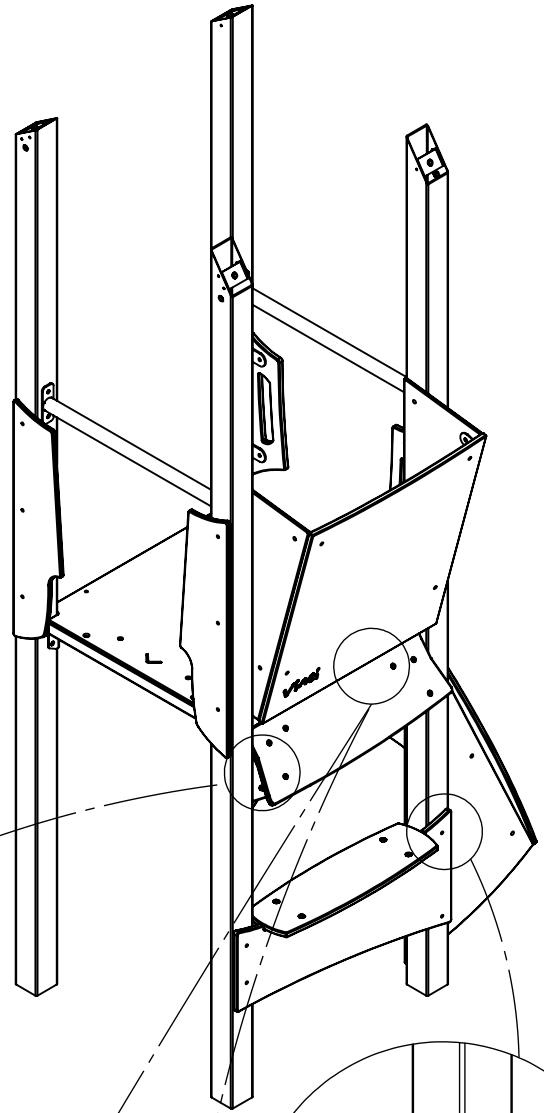
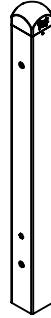
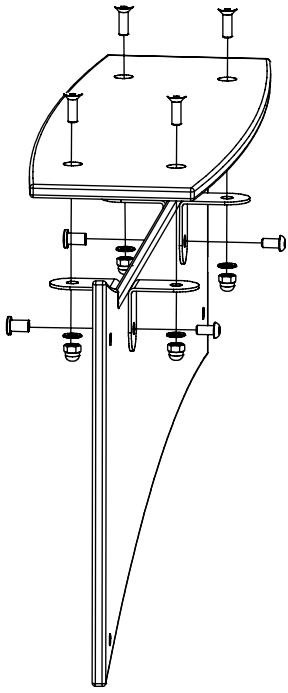
6x 8x25ikl

1x 17p021

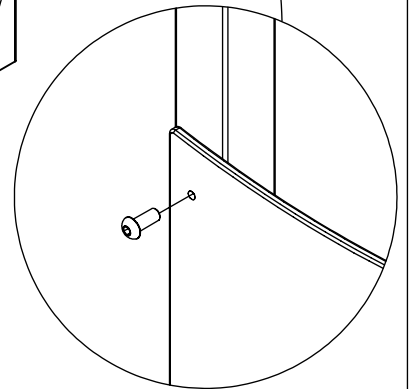
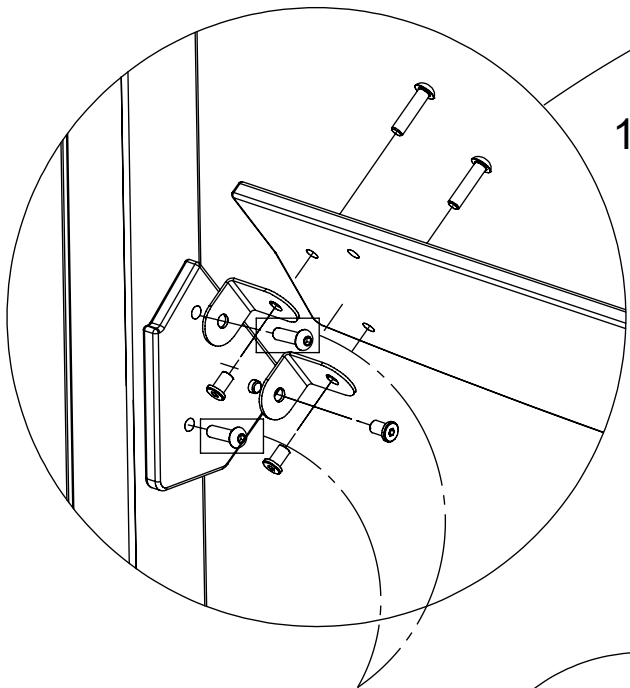
[cm]

vinci
play

1x 17c014

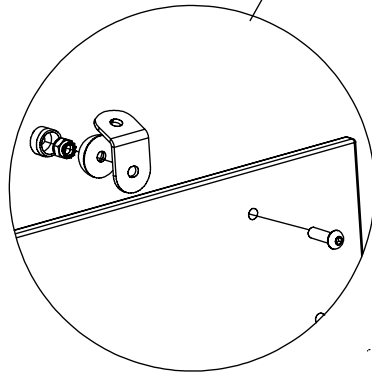


1x 17c016

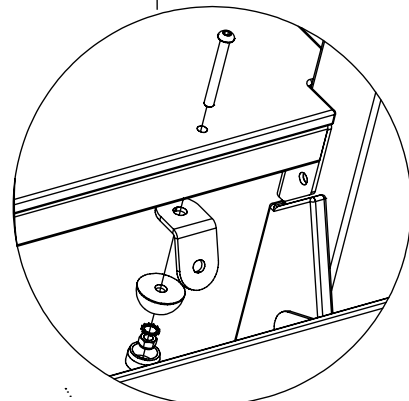


4x 8x30ikl

4x 10x40ikl



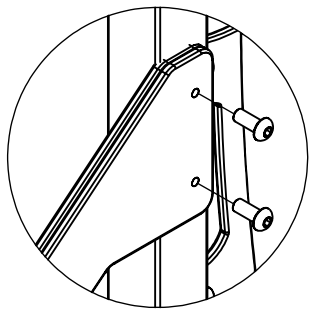
1x 17c028



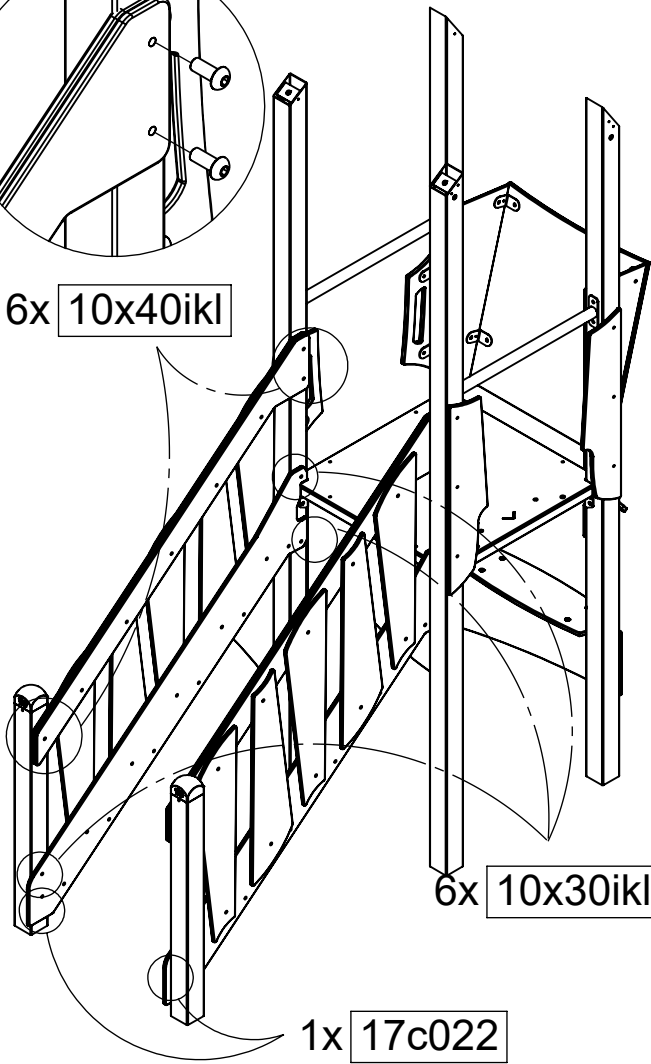
1x 17p021

[cm]

vinci play

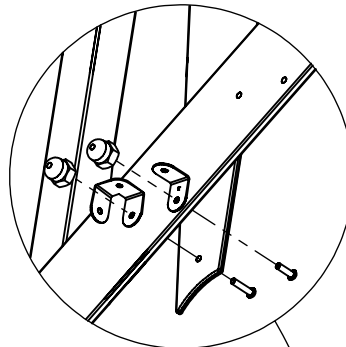


6x 10x40ikl

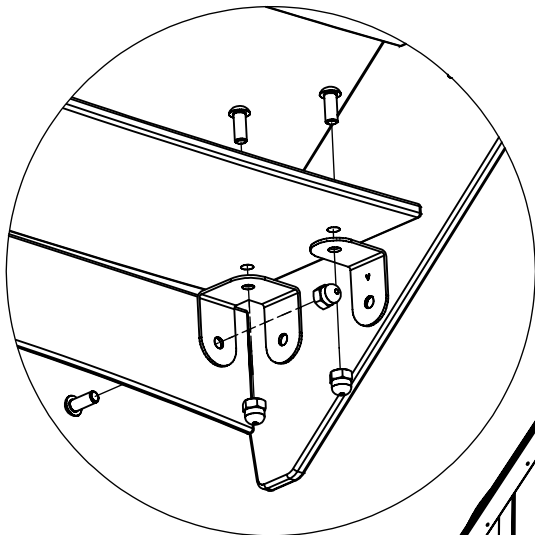
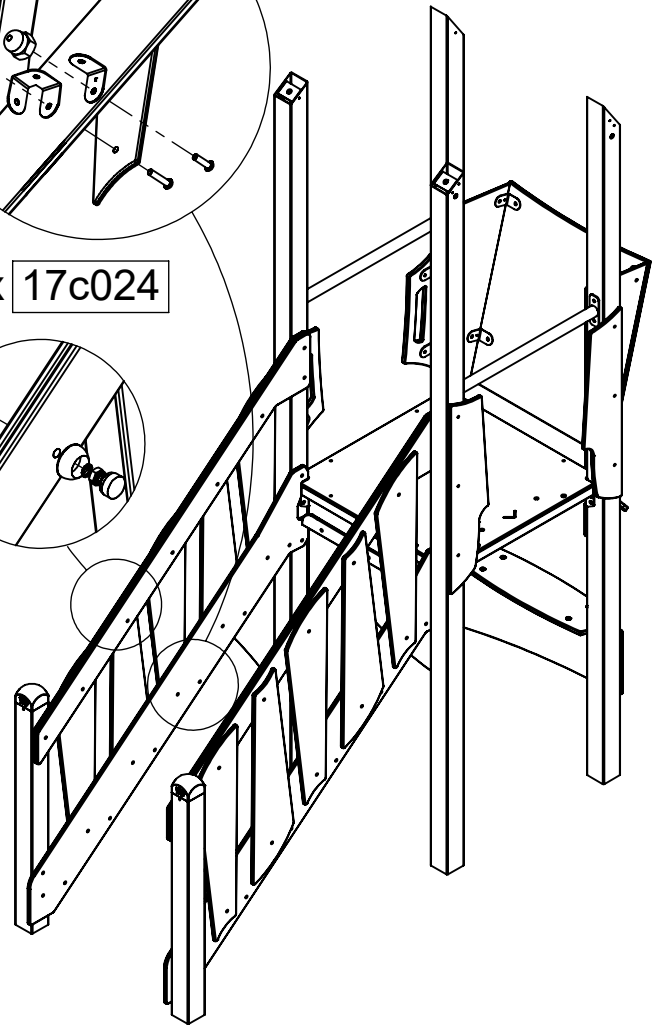
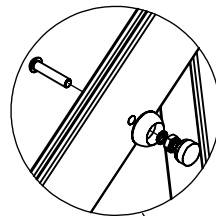


6x 10x30ikl

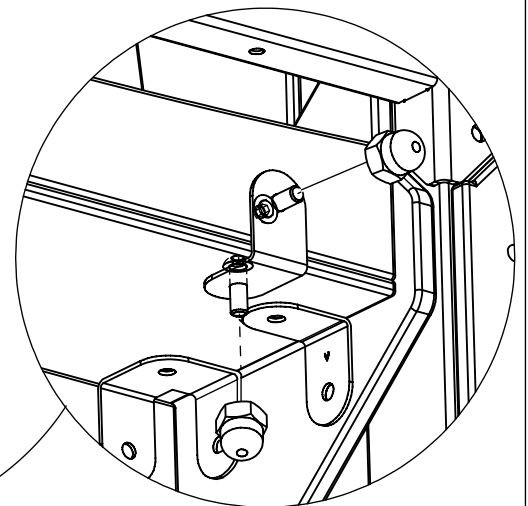
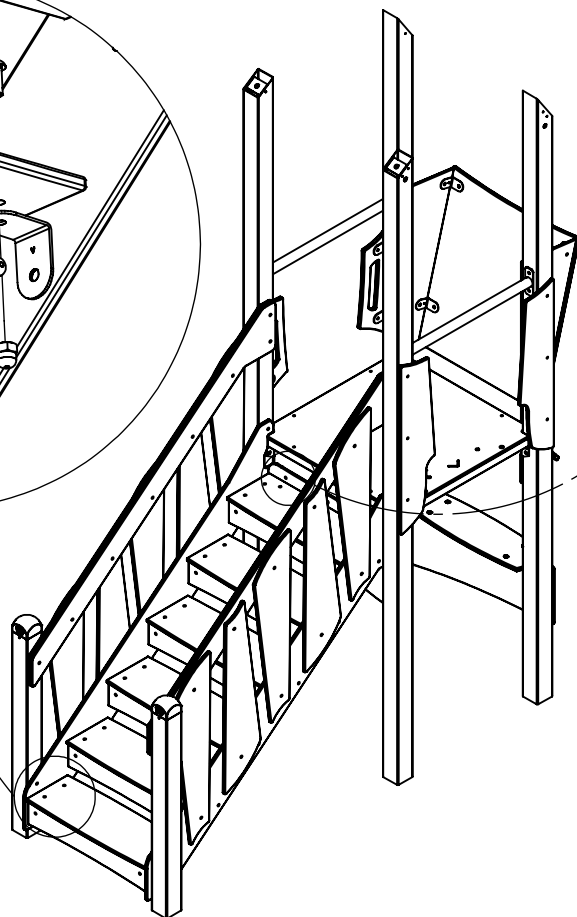
1x 17c022



2x 17c024



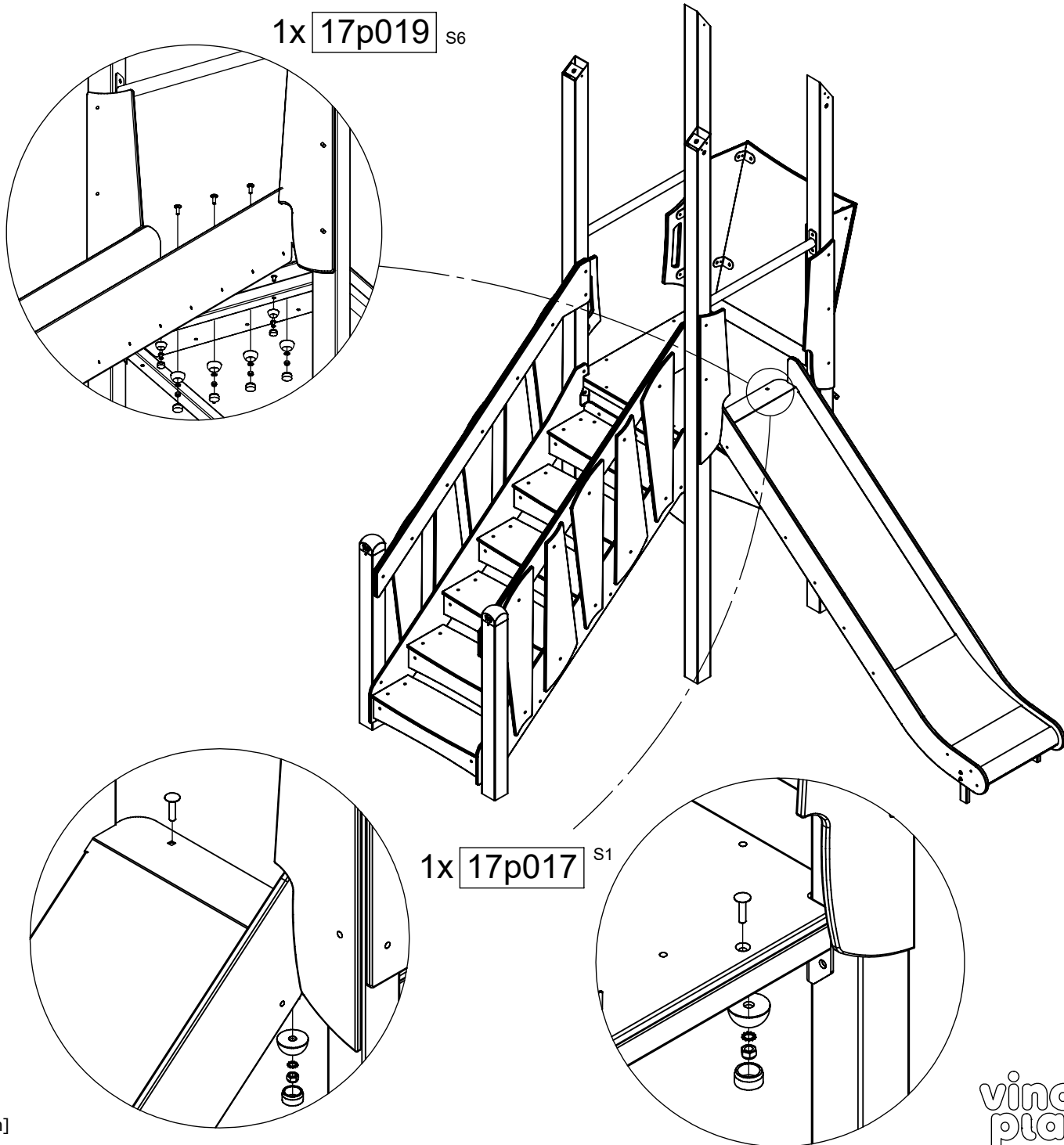
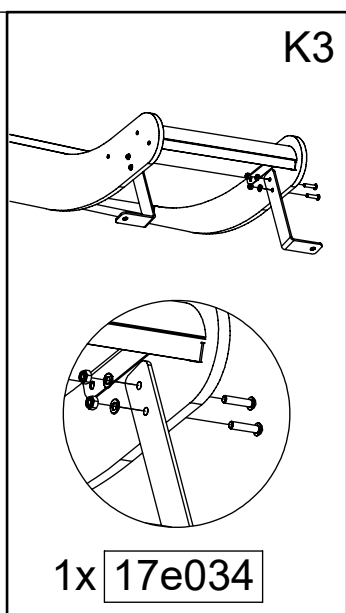
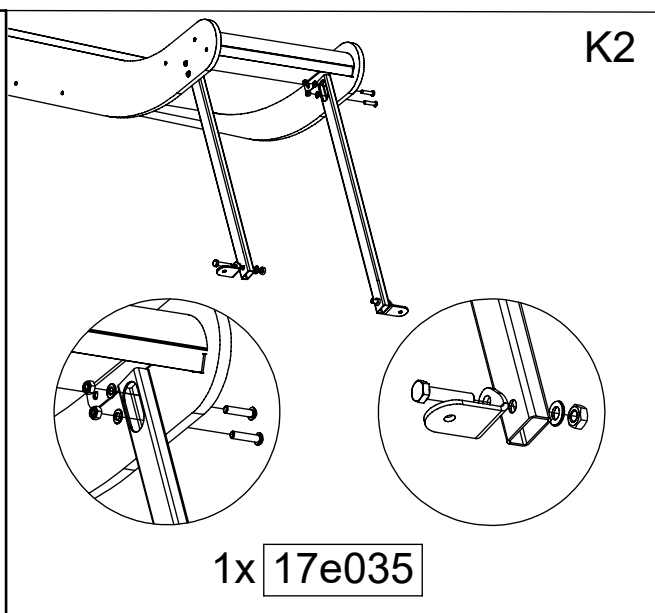
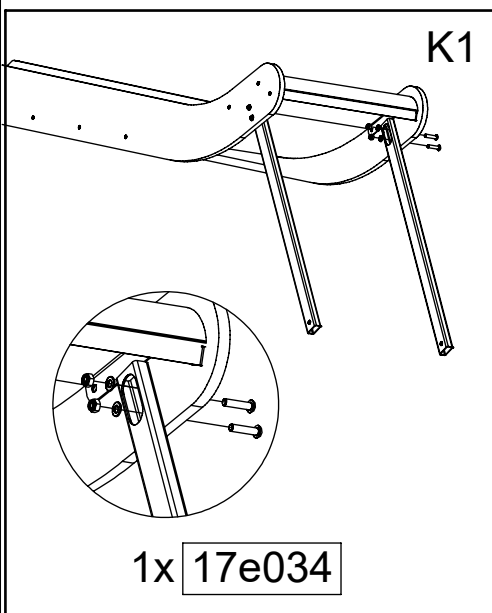
6x 17p025



1x 17p027

[cm]

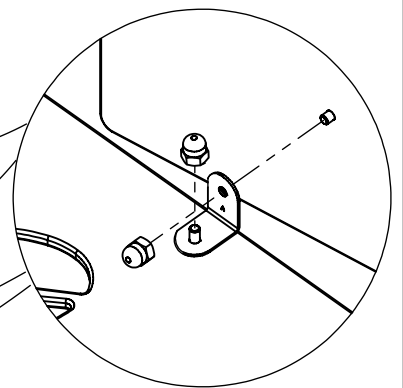
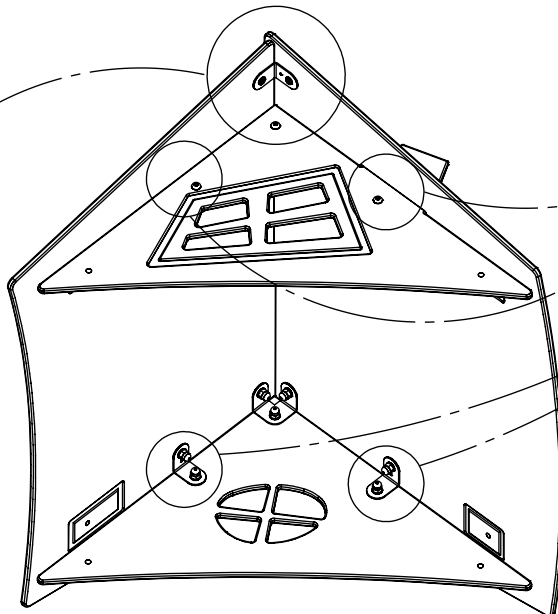
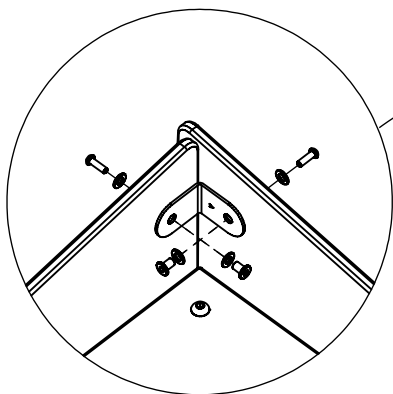
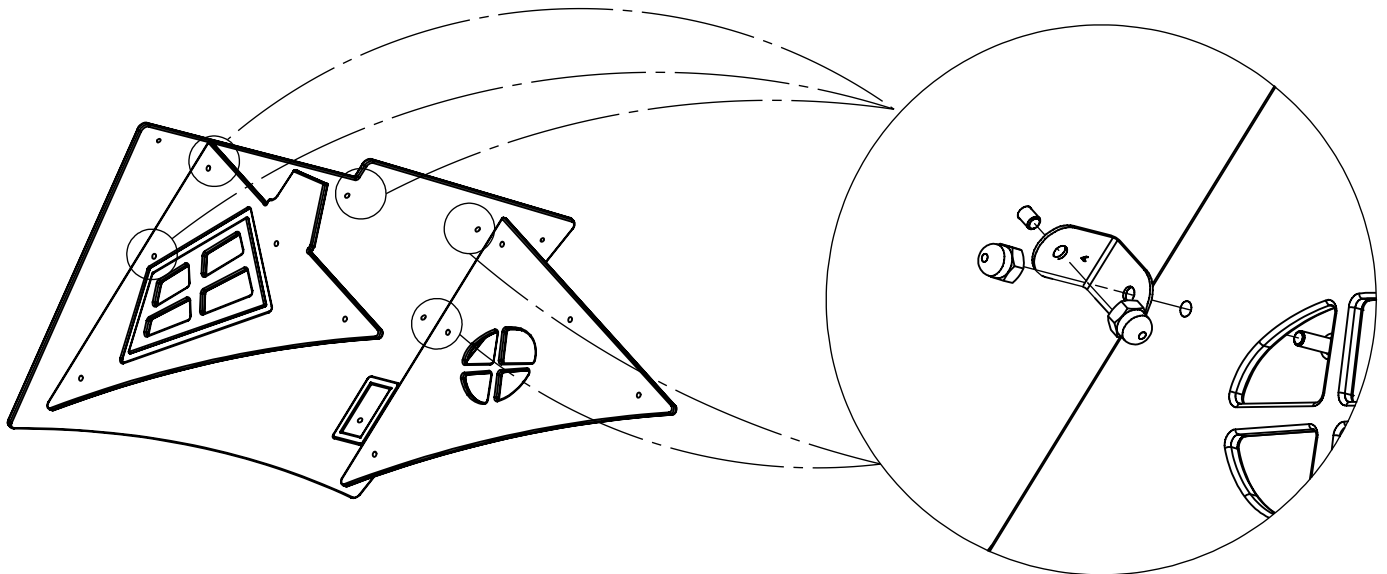
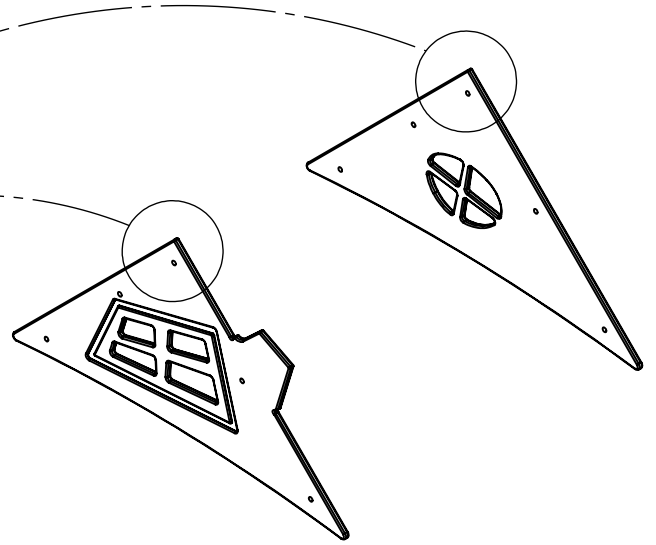
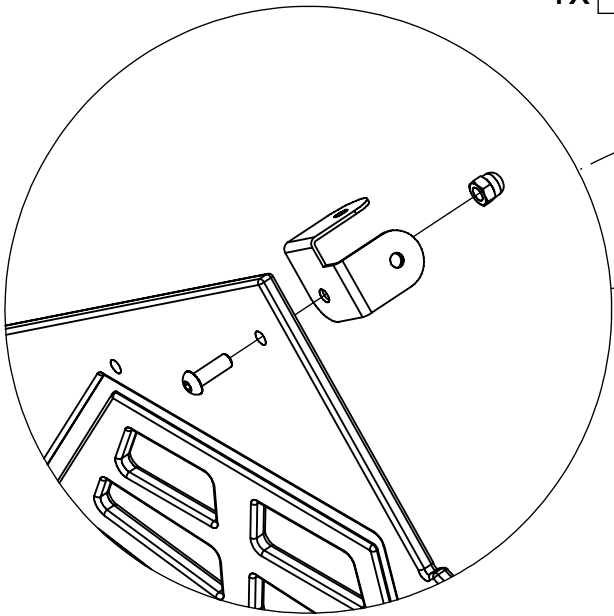
vinci
play



[cm]

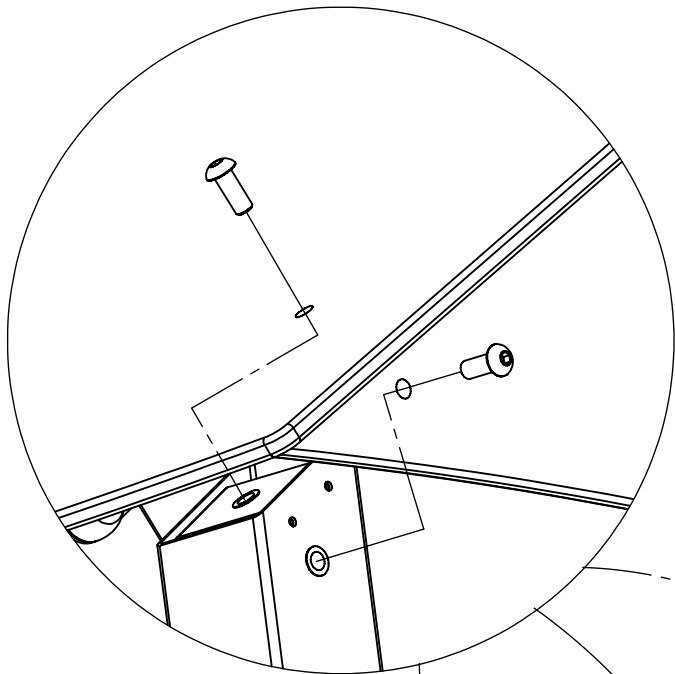
vinci
play

1x 17c020

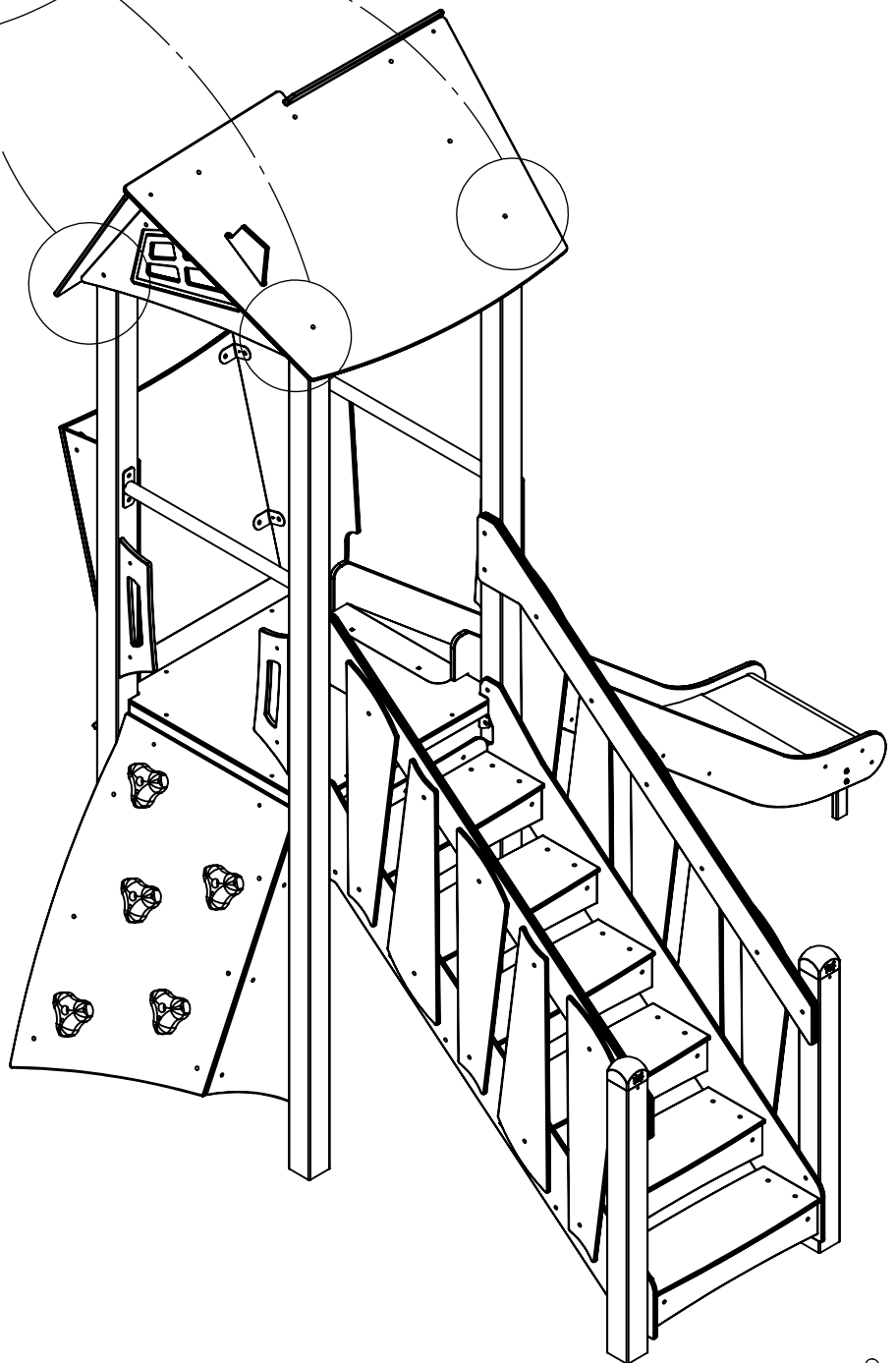


[cm]

vinci
play

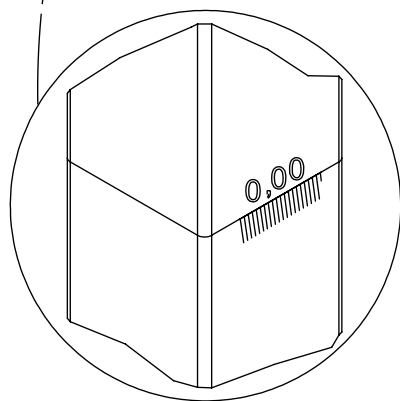
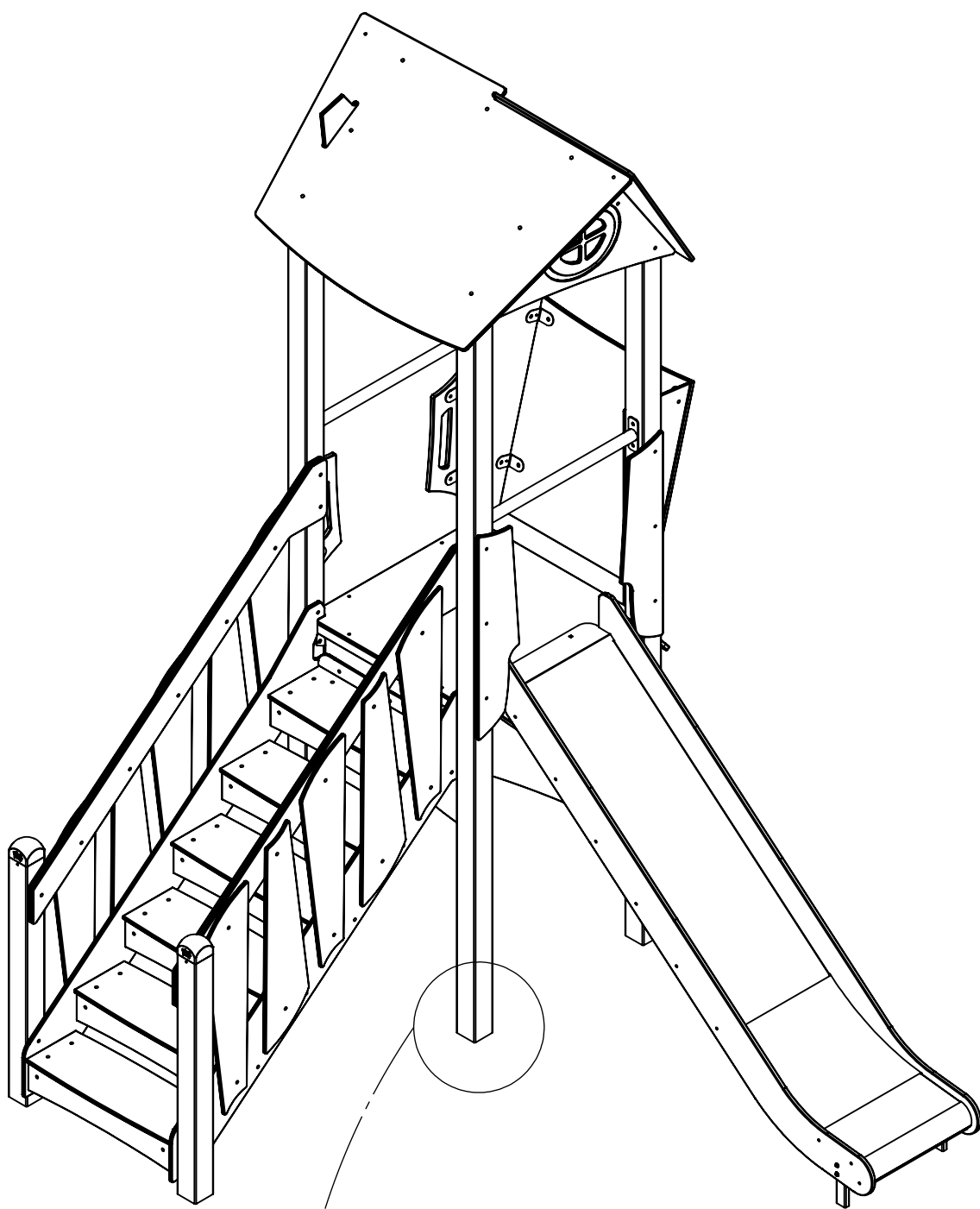


8x 10x30iki



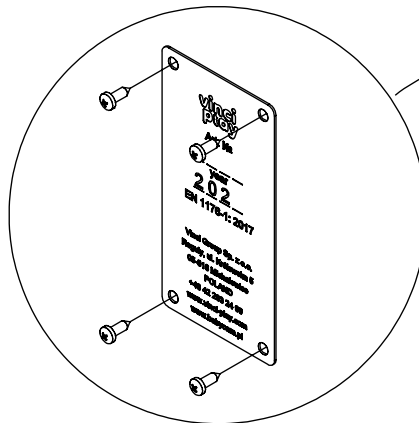
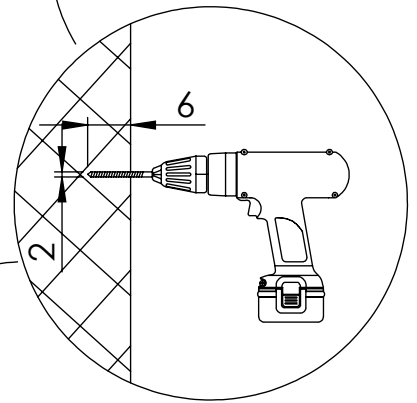
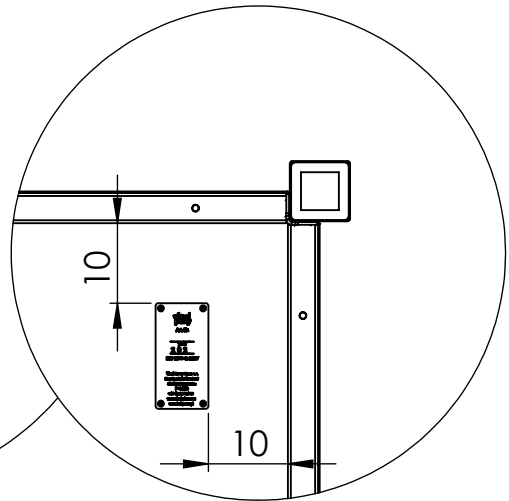
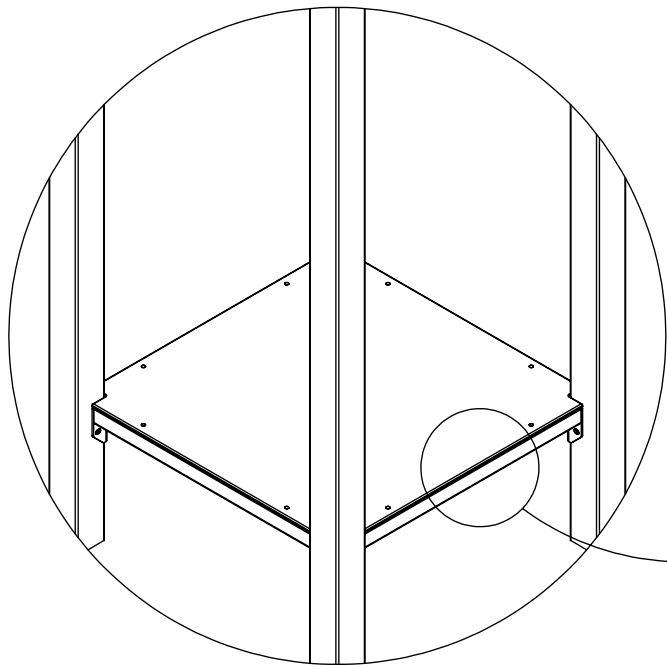
[cm]

vinci
play



[cm]

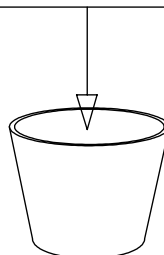
vinci
play



V001

Part No:
000000-
00000

000000-00000



[cm]

vinci
play