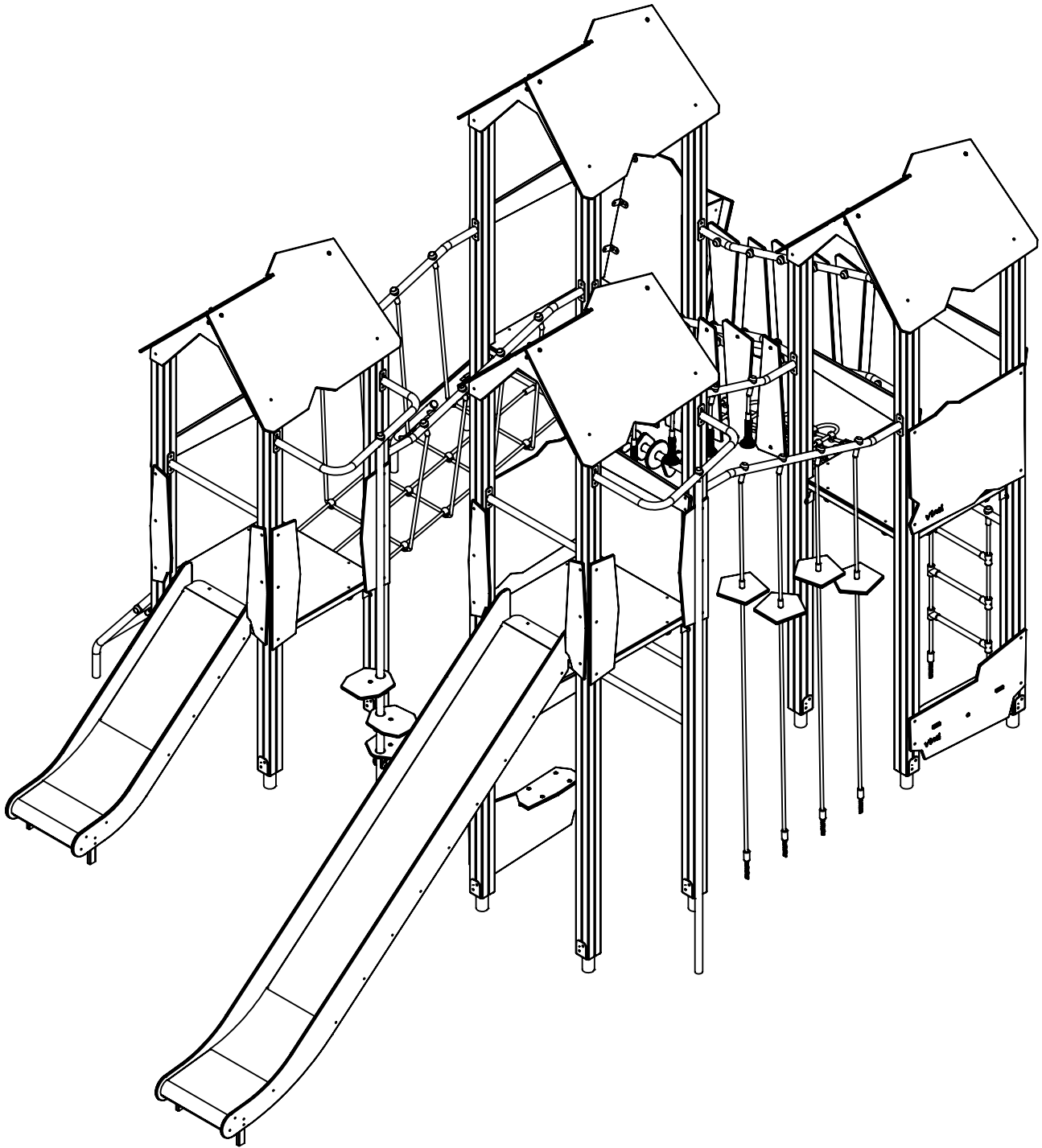


WD1412



12h



48h



>0.06m³

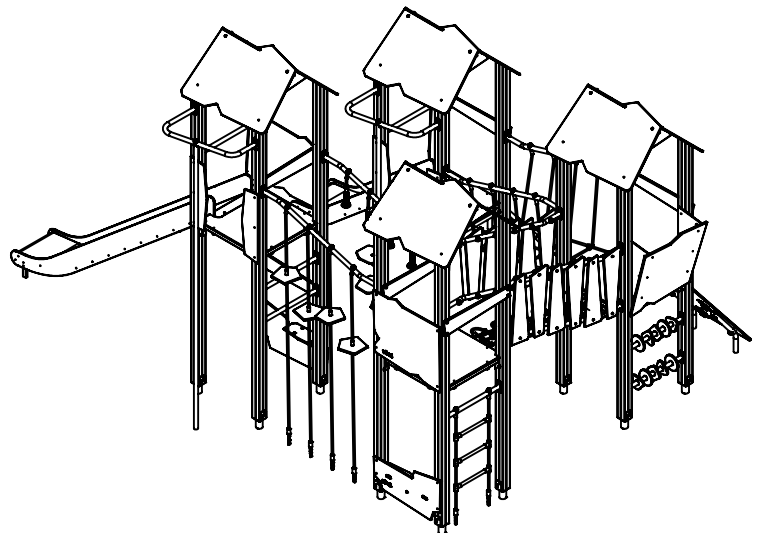
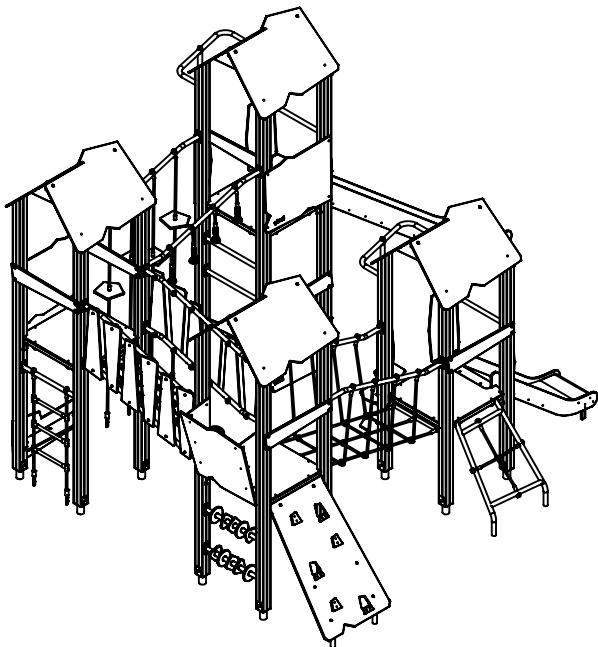
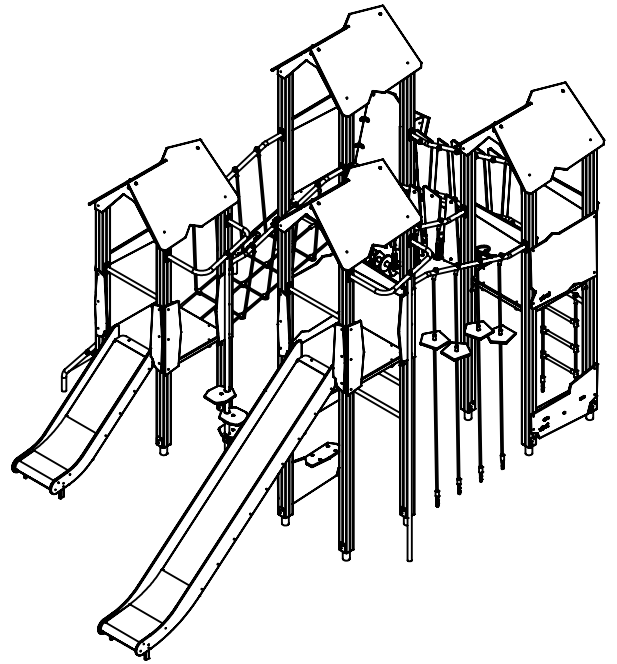
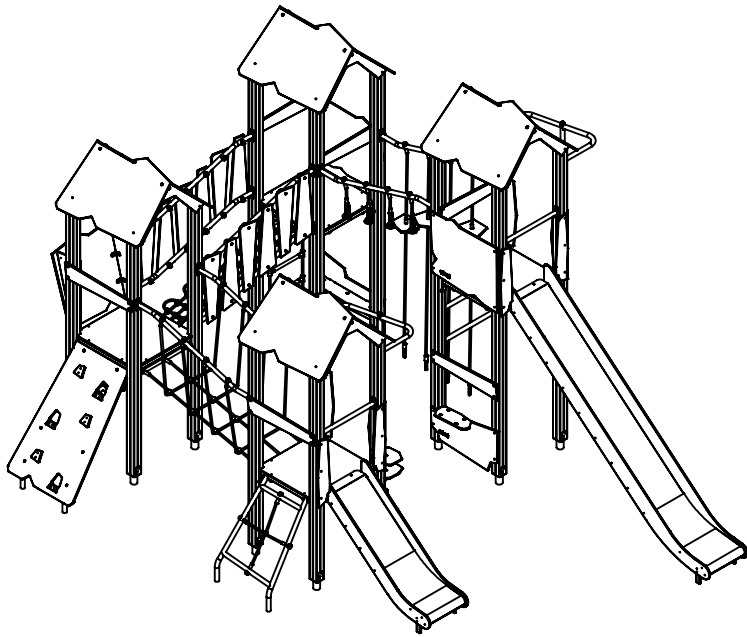


>0.02m³

180 HIC

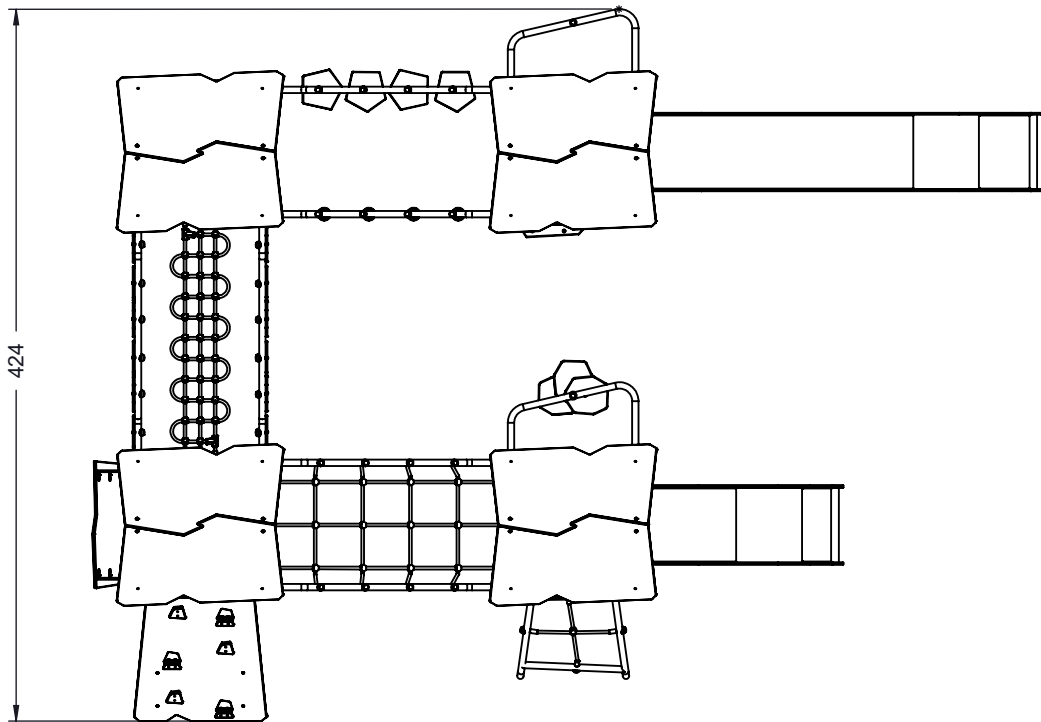
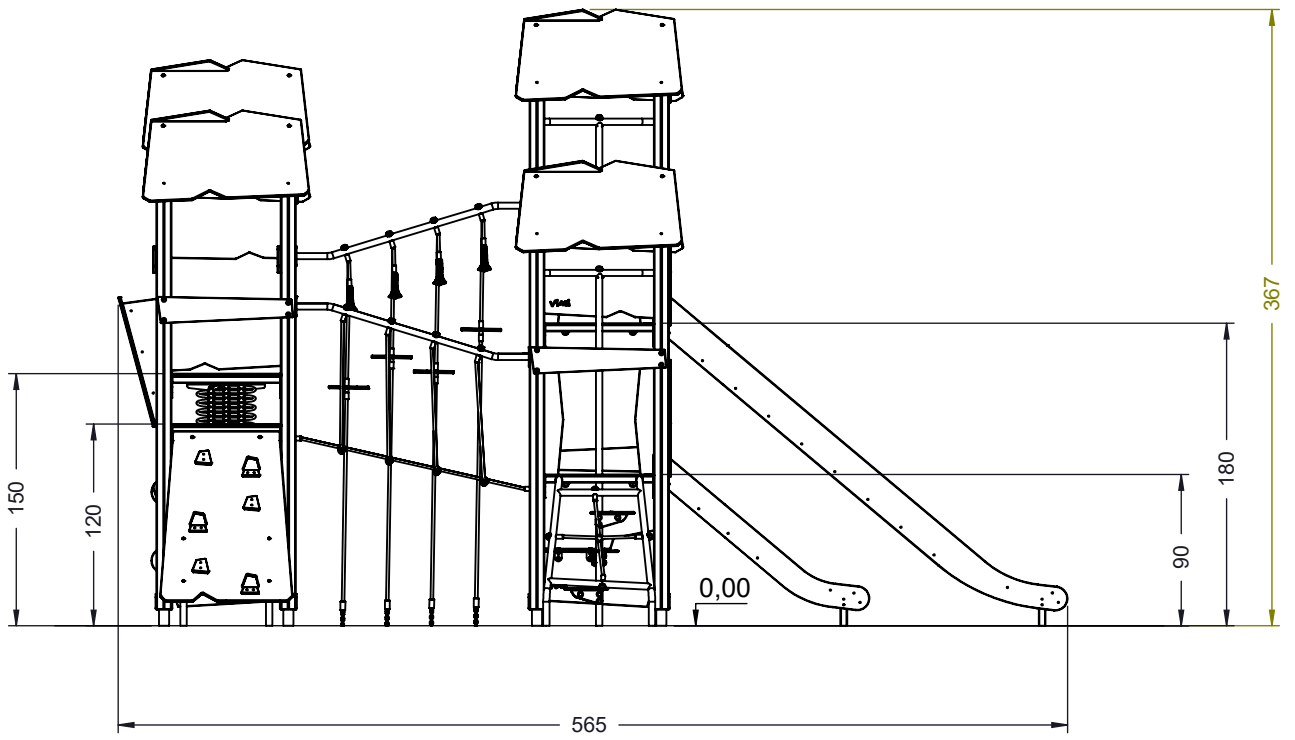
v015
08.10.2021
B. K.
[cm]

vinci
play



[cm]

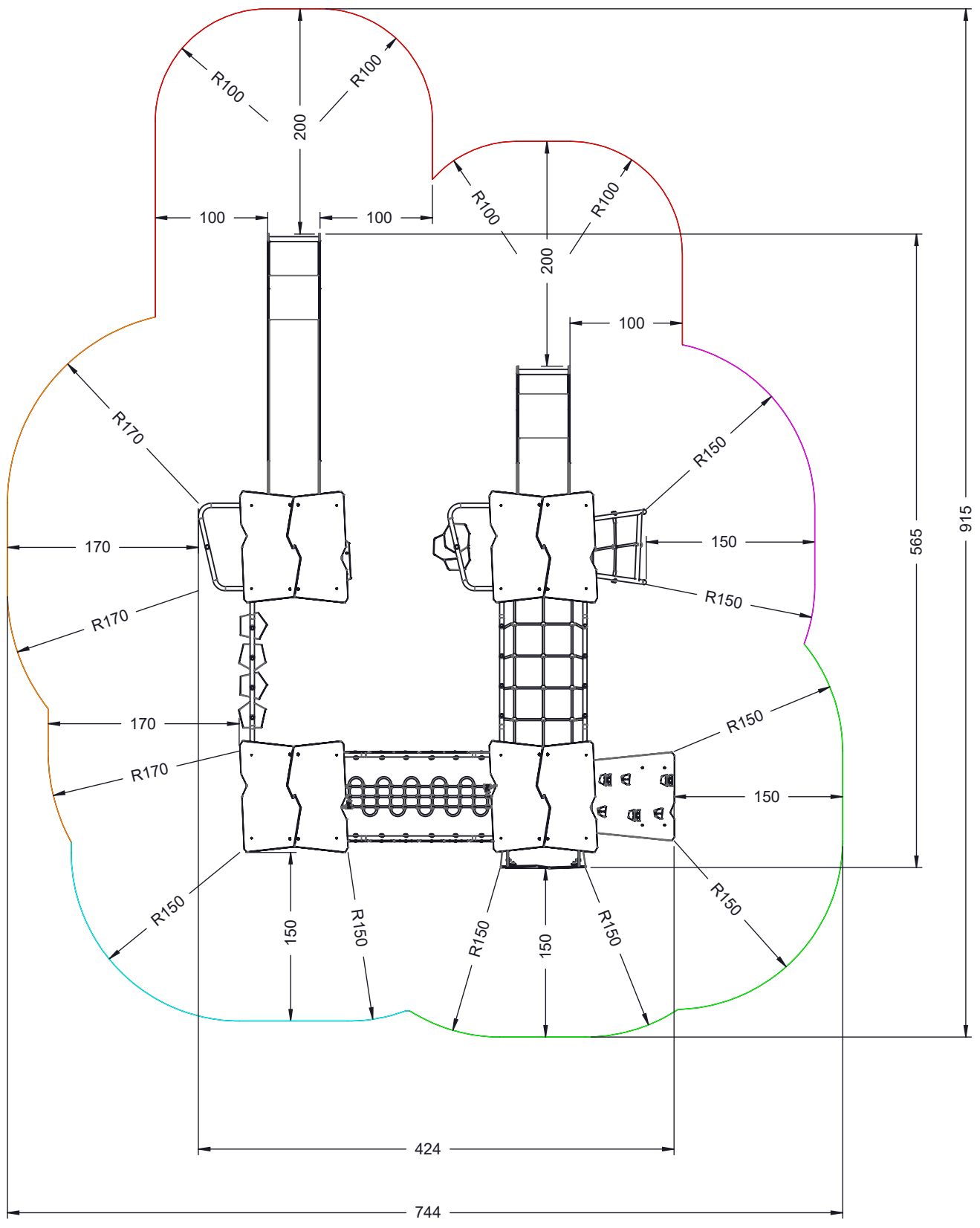
vinci
play



[cm]



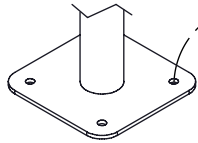
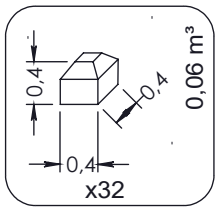
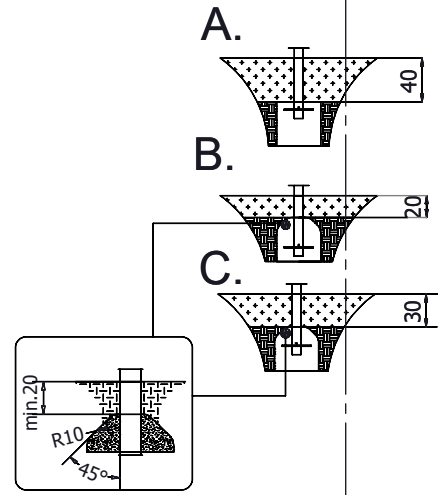
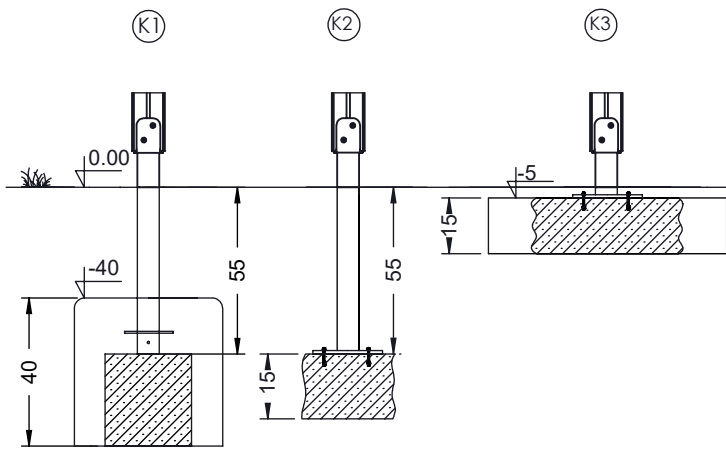
vinci
play



[cm]



vinci
play

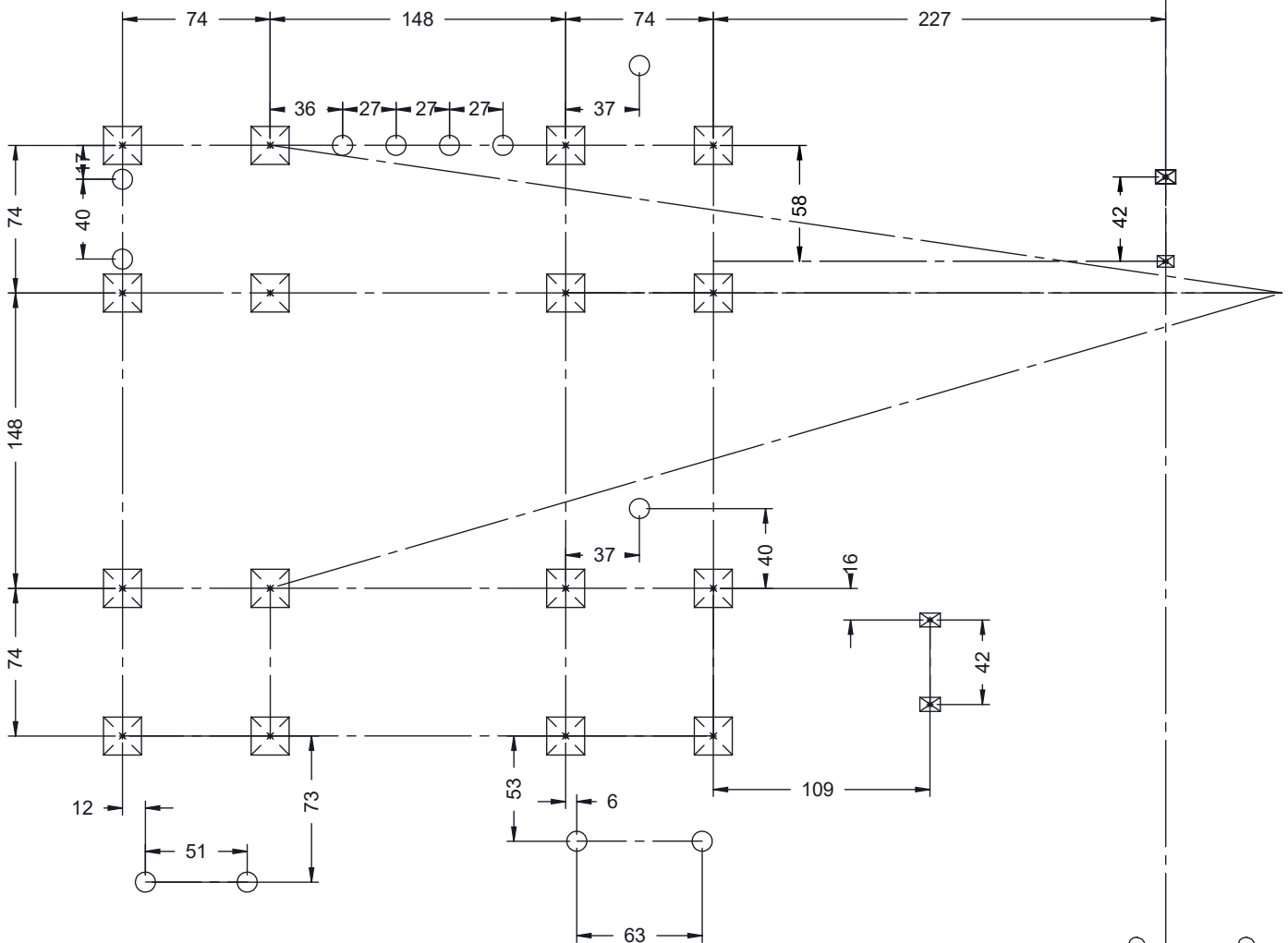


78x M10x120 (K2)
82x M10x120 (K3)

NOT INCLUDED

12x M8x120 (K2)
8x M8x120 (K3)

NOT INCLUDED



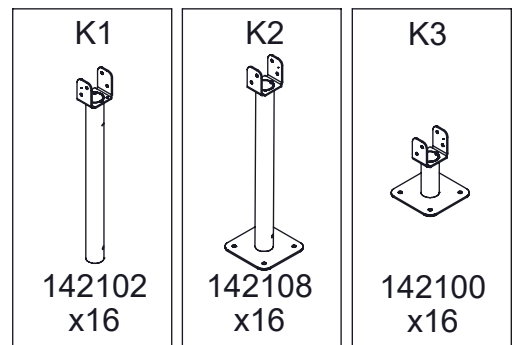
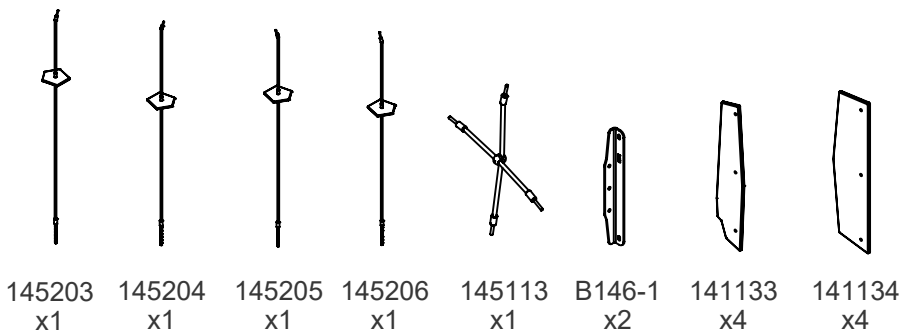
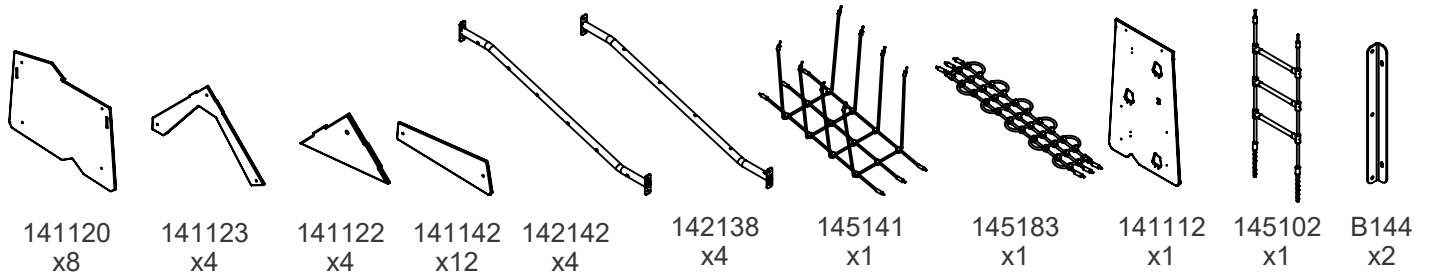
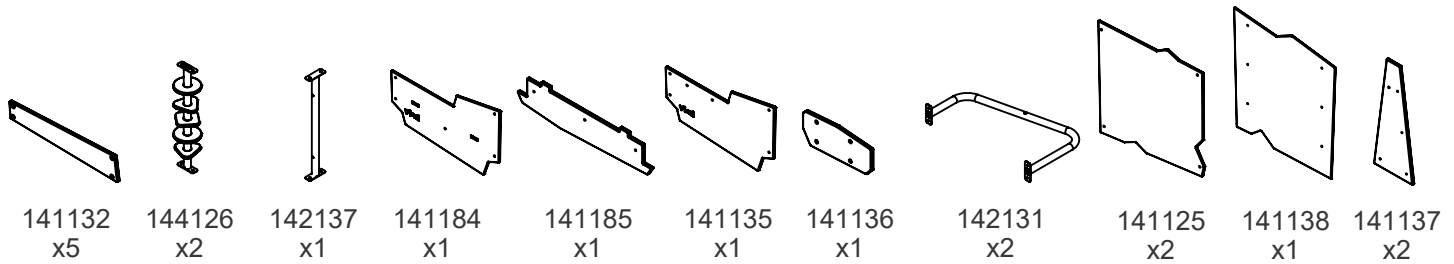
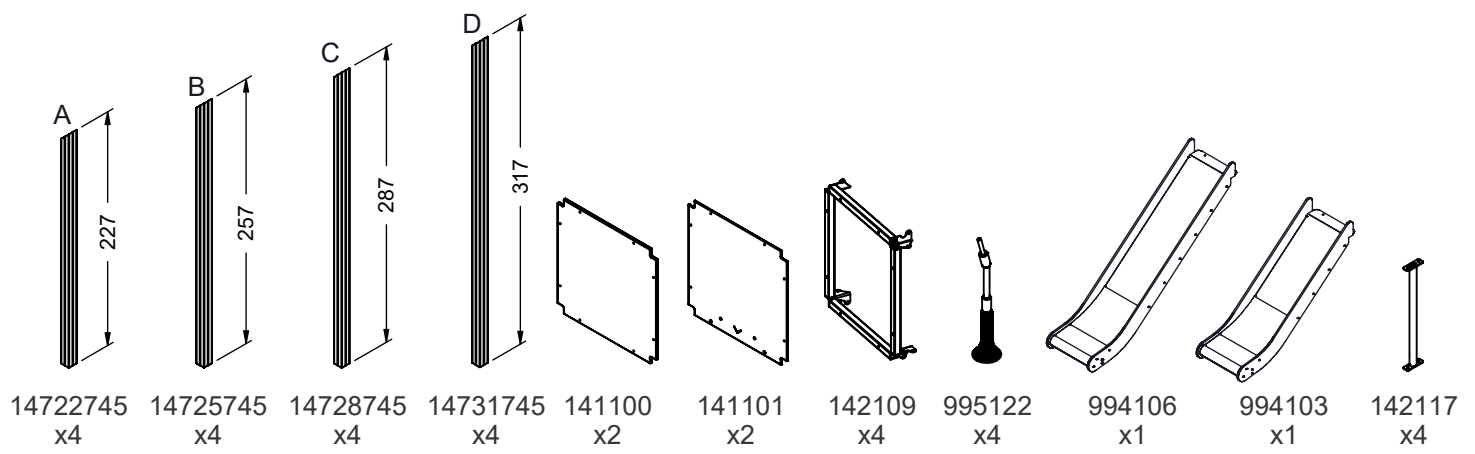
[cm]



12h



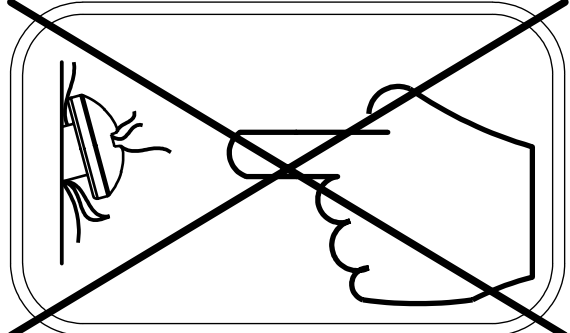
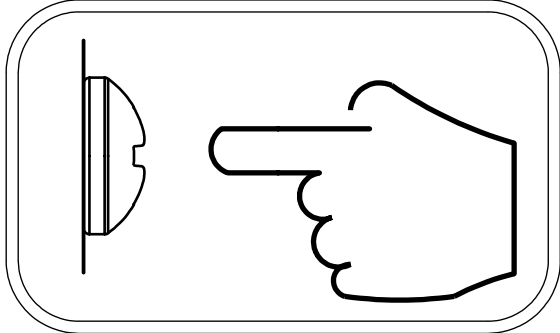
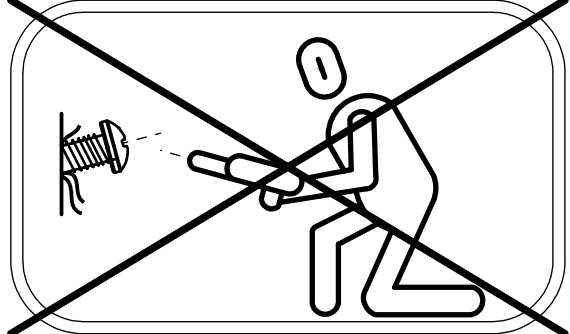
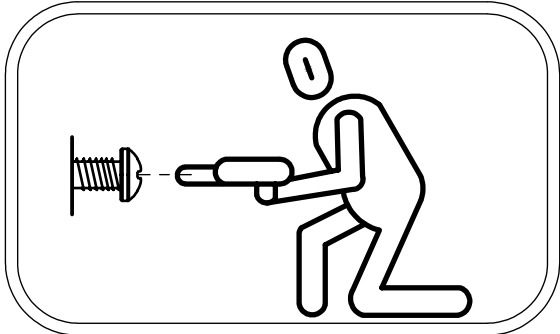
vinci play

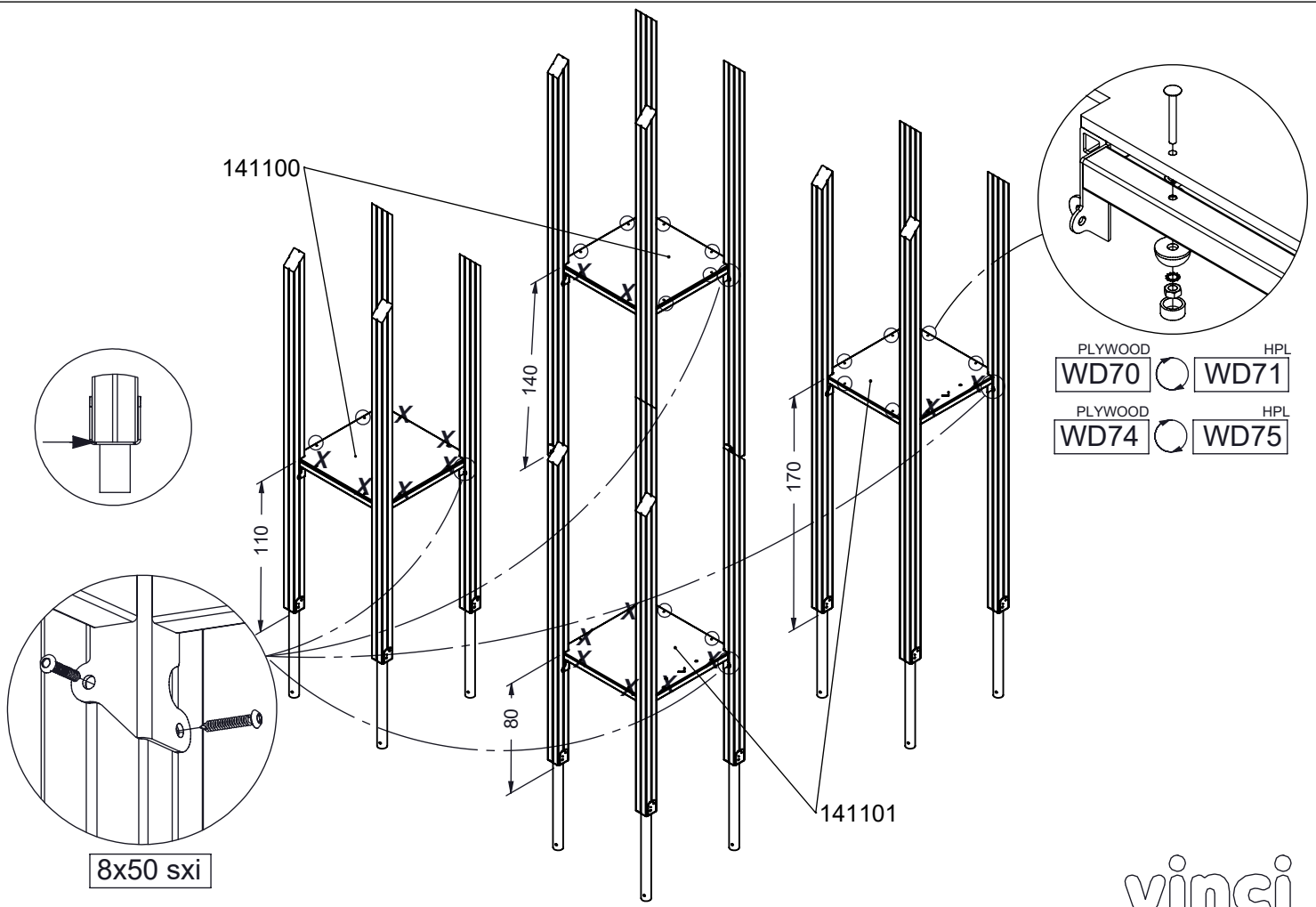
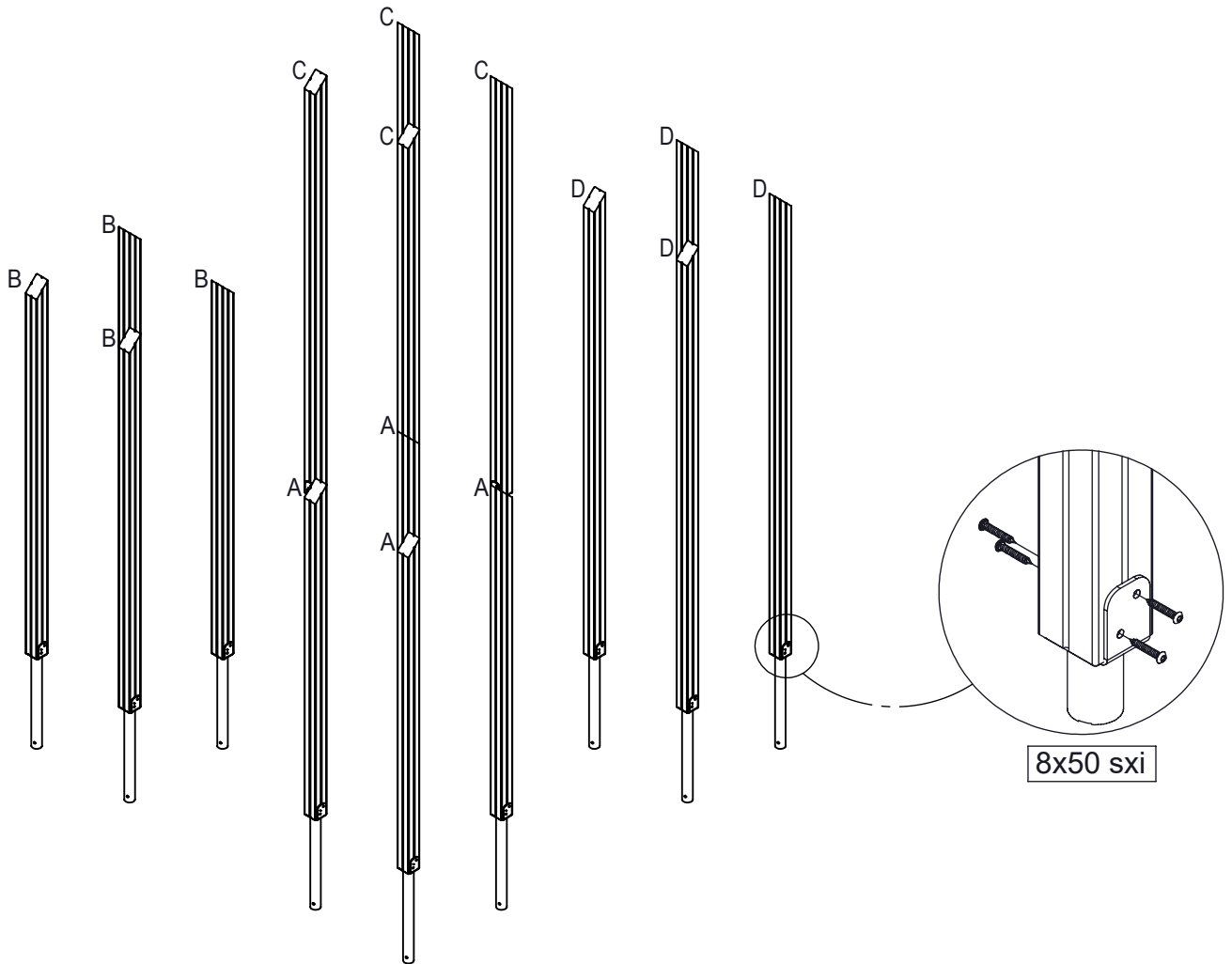


K1, K2 992128 x1	K3 992129 x1	K1, K2 992118 x1	K3 992119 x1	K1, K2 992100 x2
K1, K2 142106 x1	K3 142152 x1	K1, K2 P78 x4	K3 b219-2 x4	K3 992104 x2

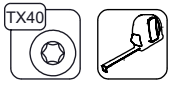
		PLYWOOD / HDPE		HPL	
258x	8x50 sxi	2x	WD74	2x	WD75
2x	E34(K1,K3)	2x	WD70	2x	WD71
2x	E35(K2)	3x	WD35	3x	WD36
2x	E39	2x	WD28(S1)	2x	WD29(S1)
2x	E88(K2,K3)	1x	WD37	1x	WD38
1x	V001	1x	WD40	1x	WD41
5x	WD14-4	4x	WD33	4x	WD34
3x	WD67	2x	WD113(S6)	2x	WD114(S6)
3x	WD68	1x	WD65	1x	WD90
1x	WD14-2	5x	WD63	5x	WD64
2x	WD66	3x	WD15	3x	WD16
6x	WD52	1x	CE6	1x	CL6
1x	GL K2, K3				
1x	SGL				
2x	WD79				

vinci play

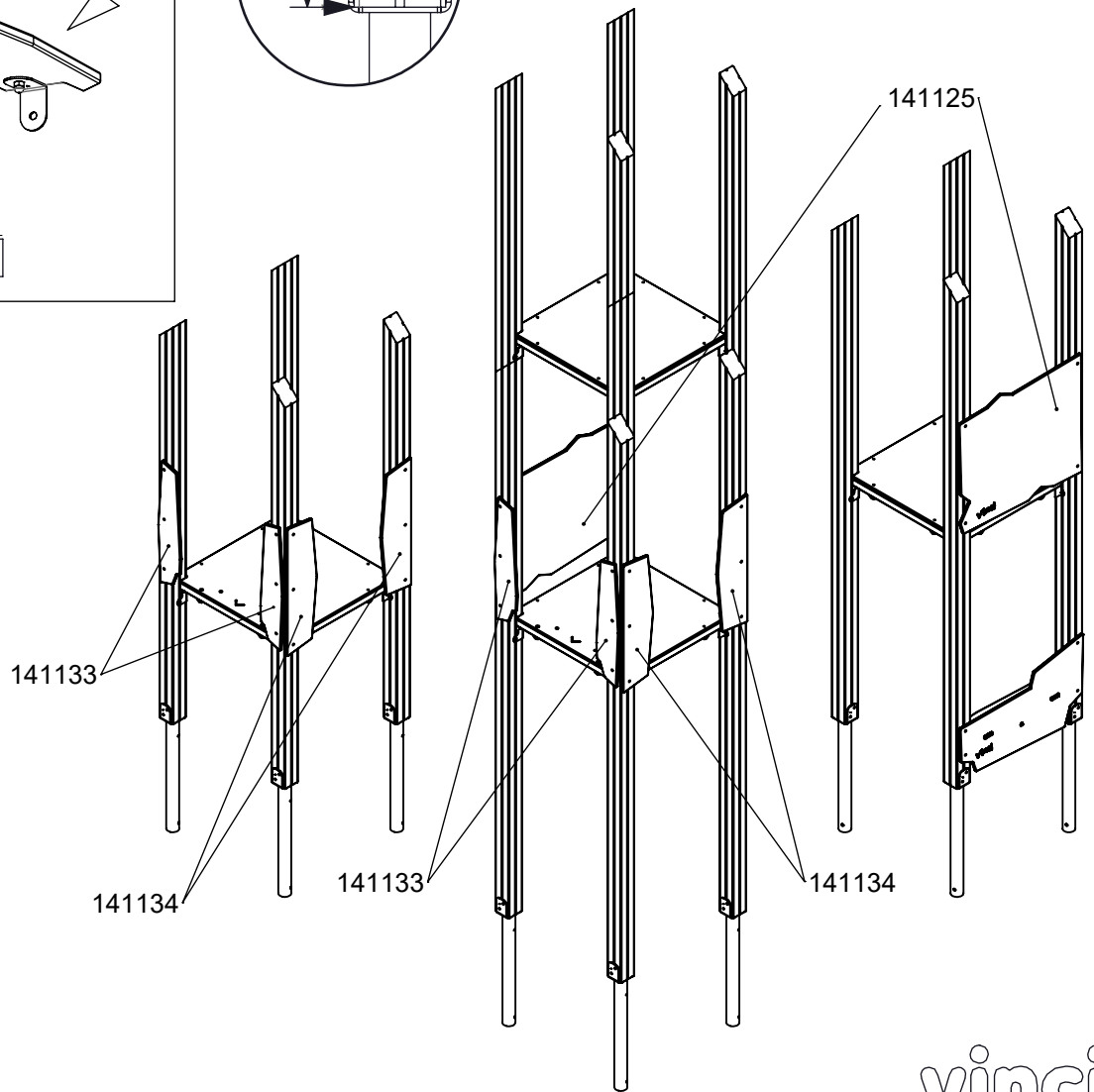
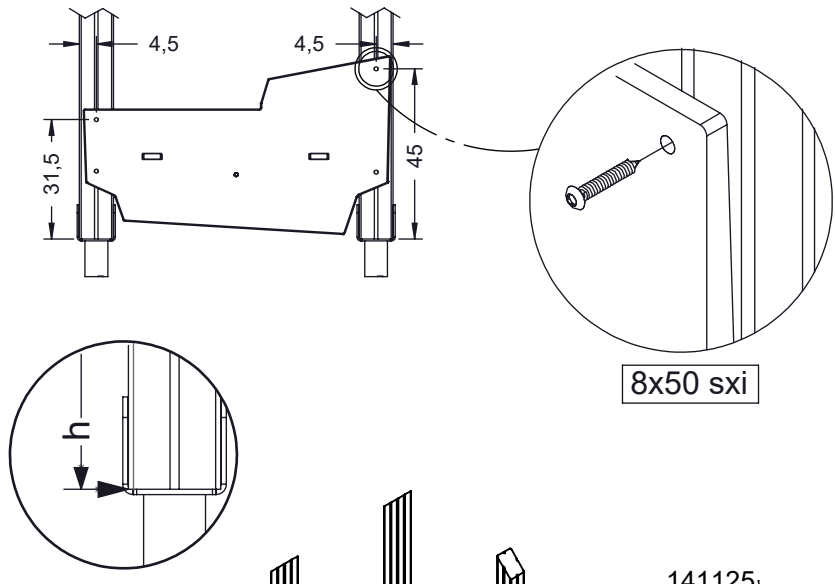
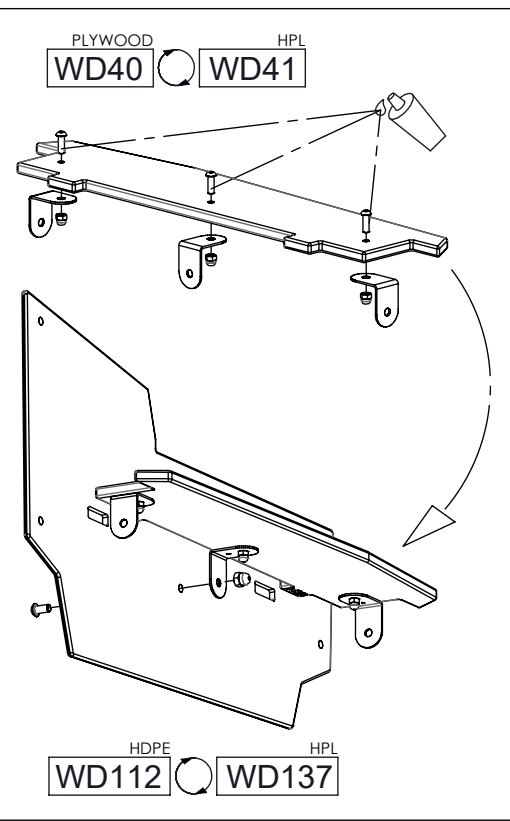
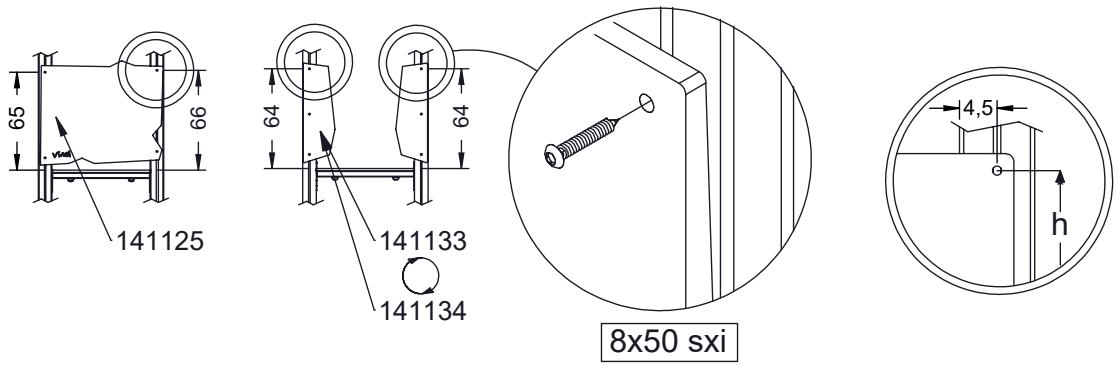




[cm]

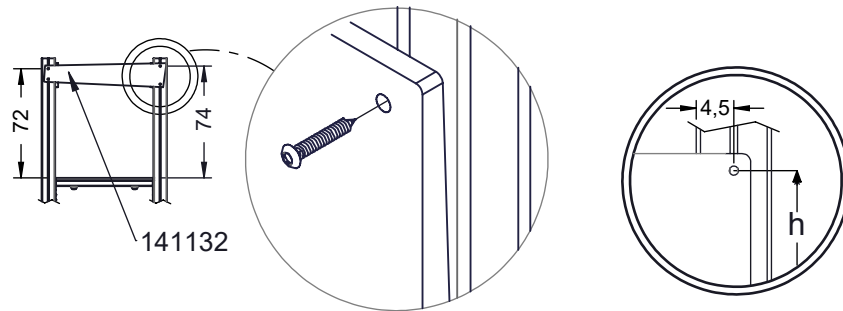


vinci
play



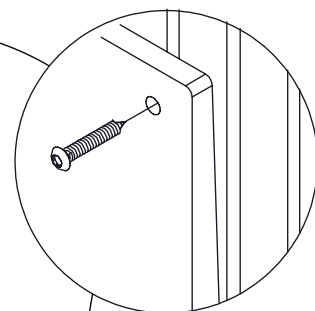
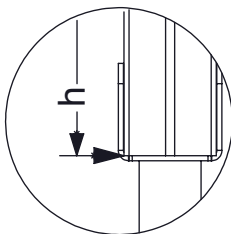
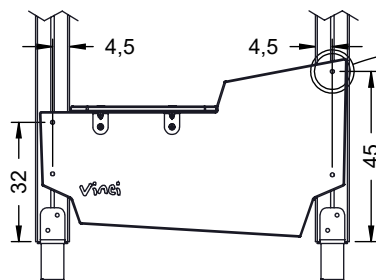
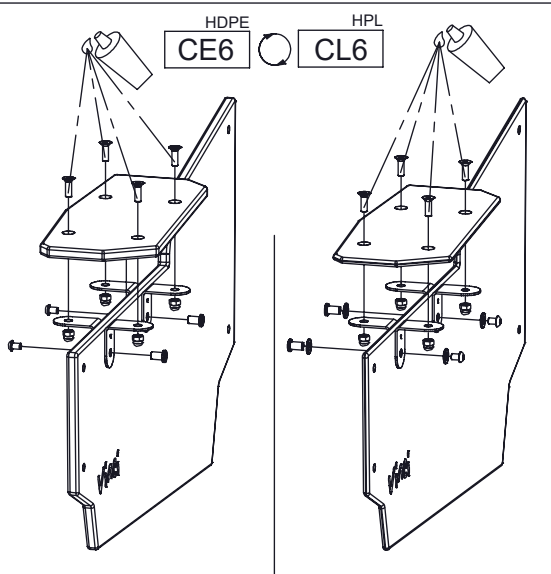
[cm]

vinci
play

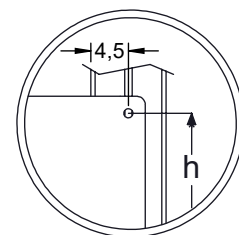
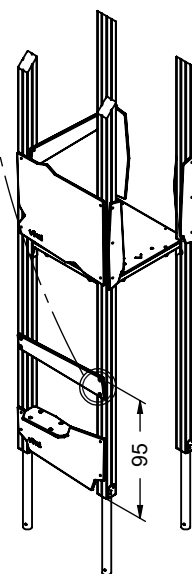
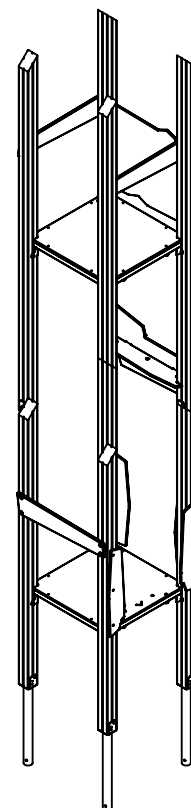
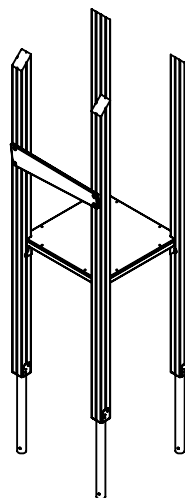
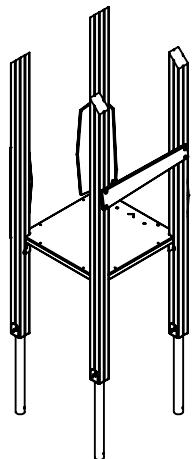
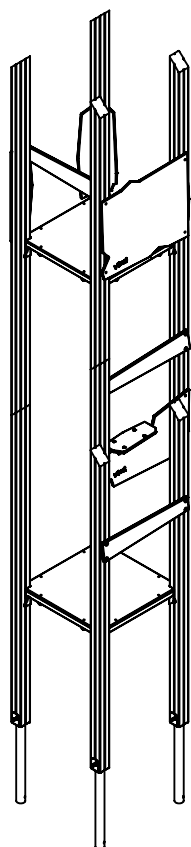
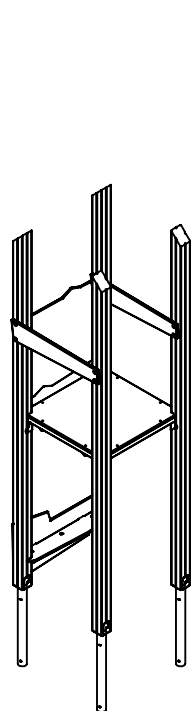


141132

8x50 sxi



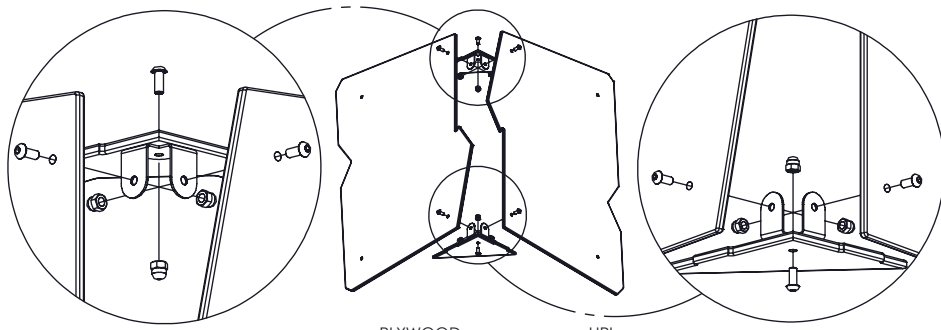
8x50 sxi



[cm]

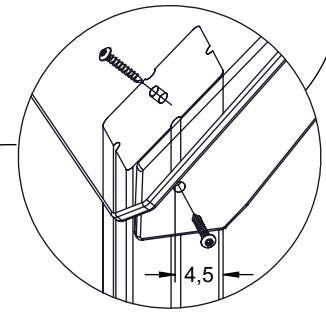
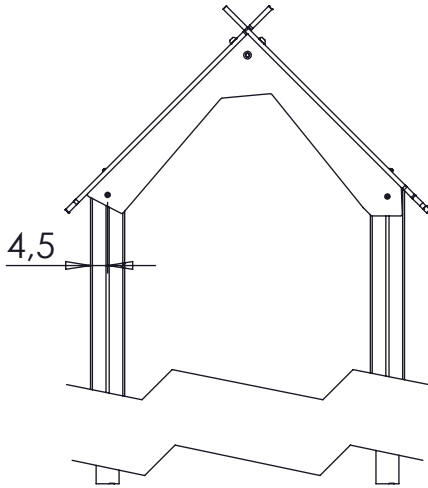
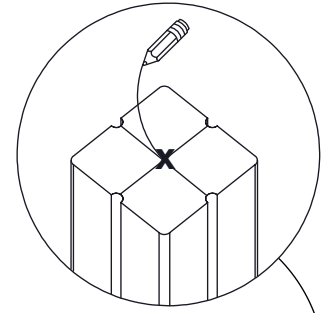


vinci
play

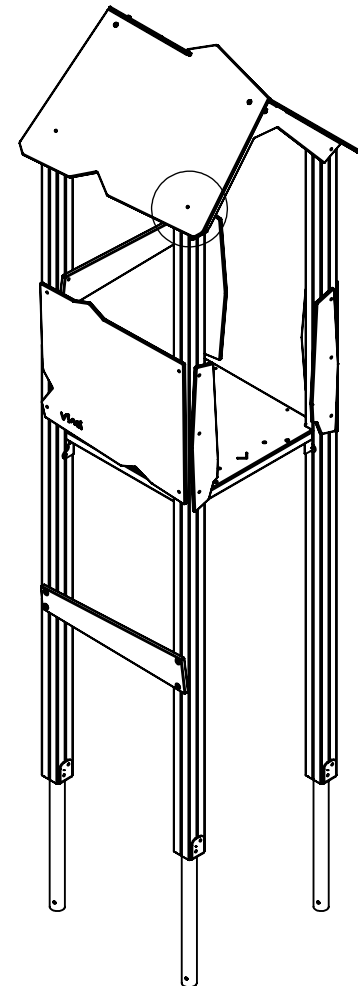
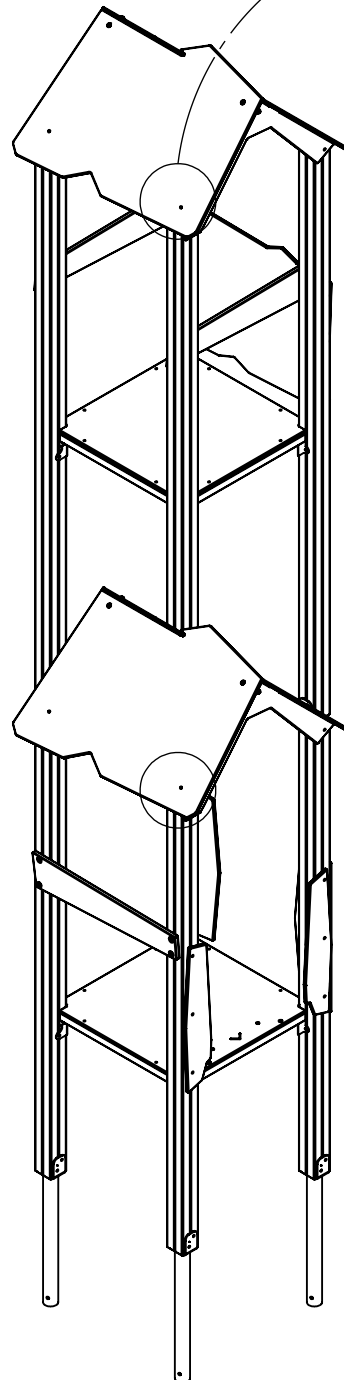
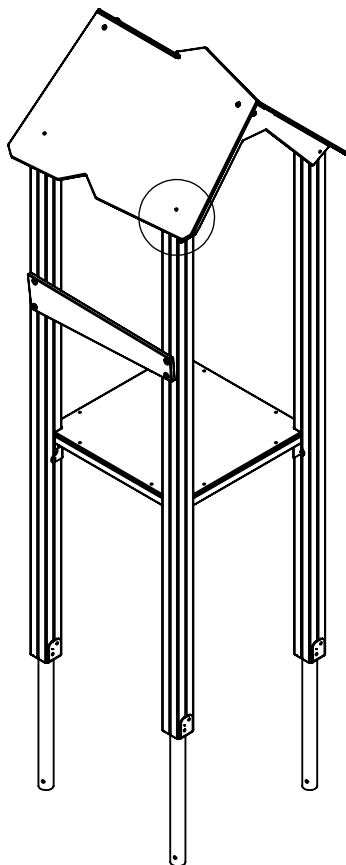


PLYWOOD
WD33

HPL
WD34



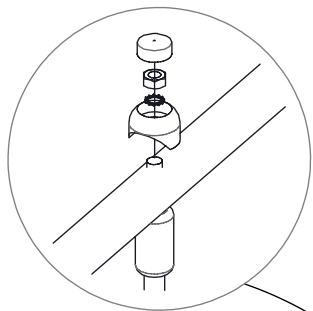
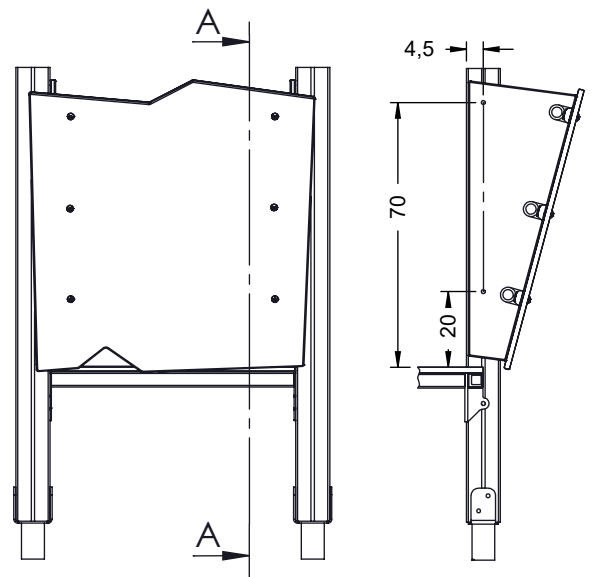
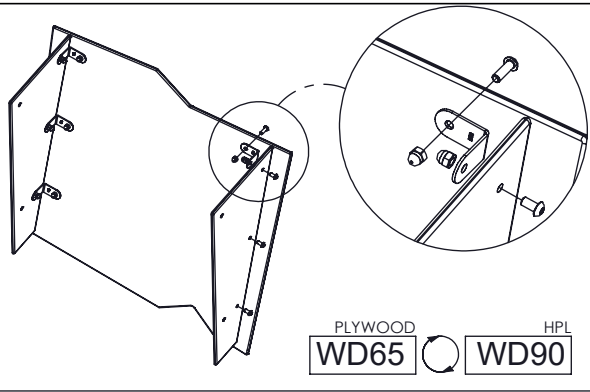
8x50 sxi



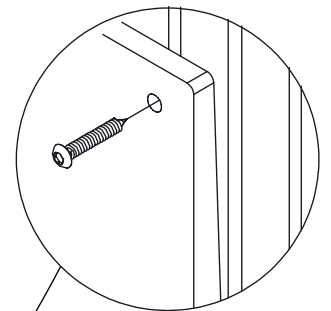
[cm]



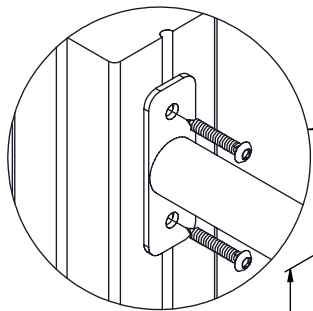
vinci
play



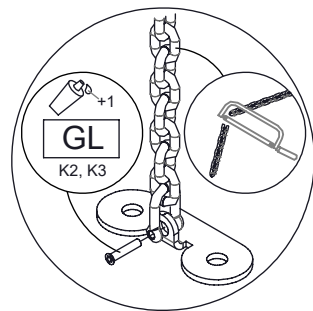
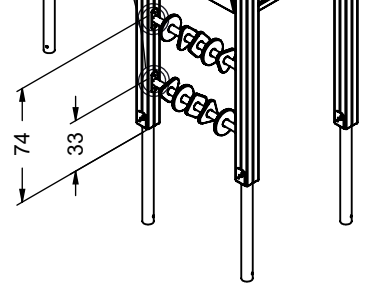
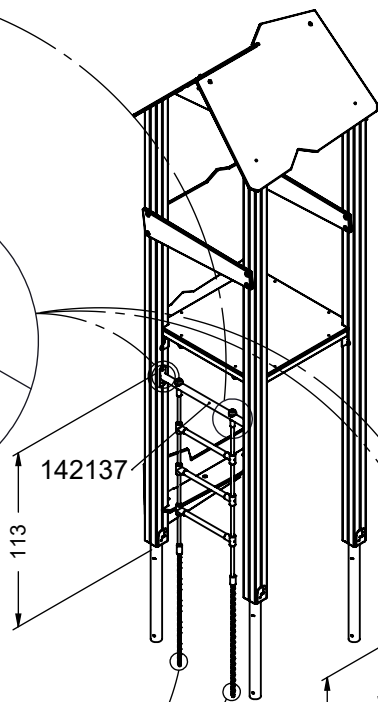
WD14-2



8x50 sxi



8x50 sxi

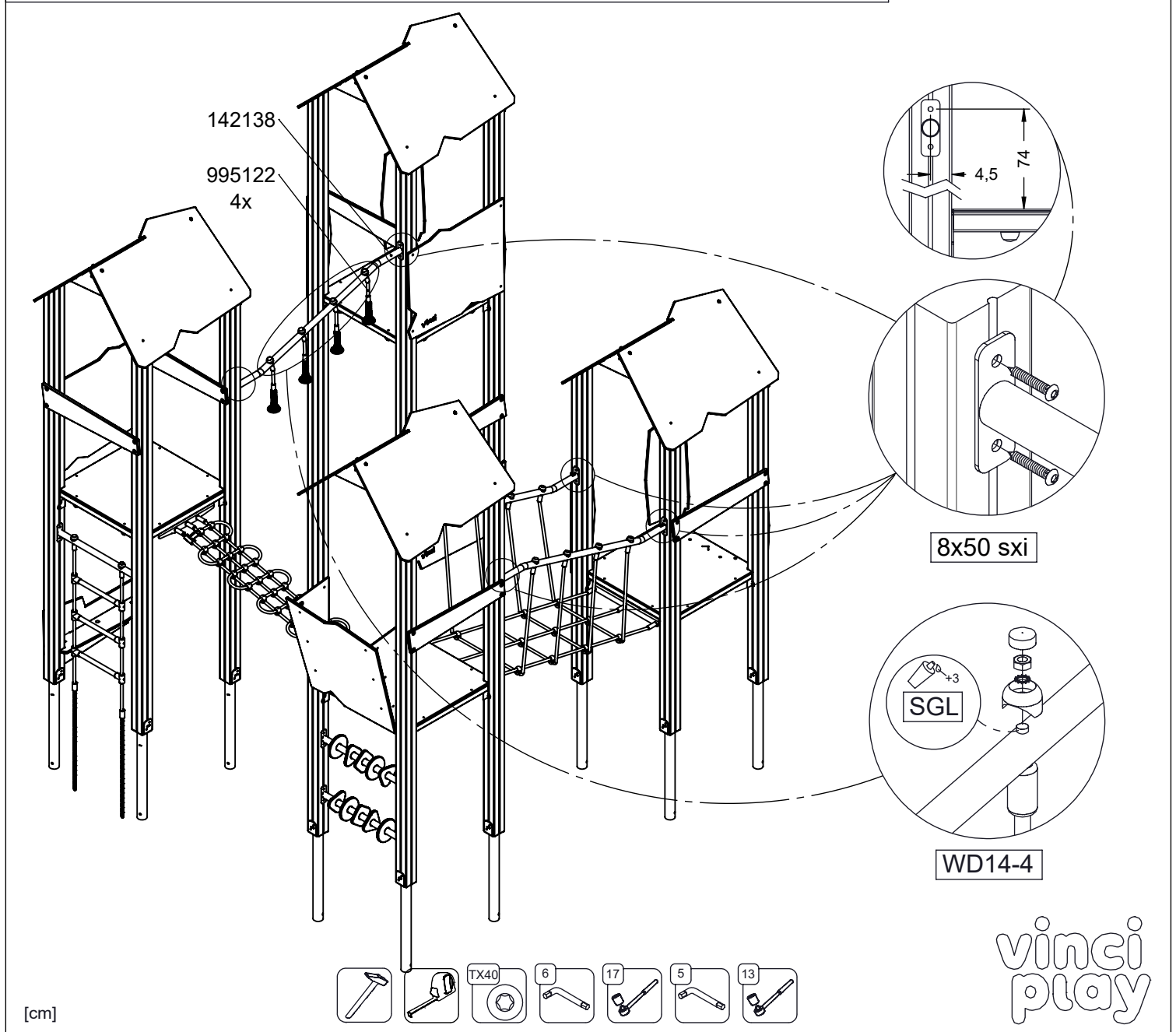
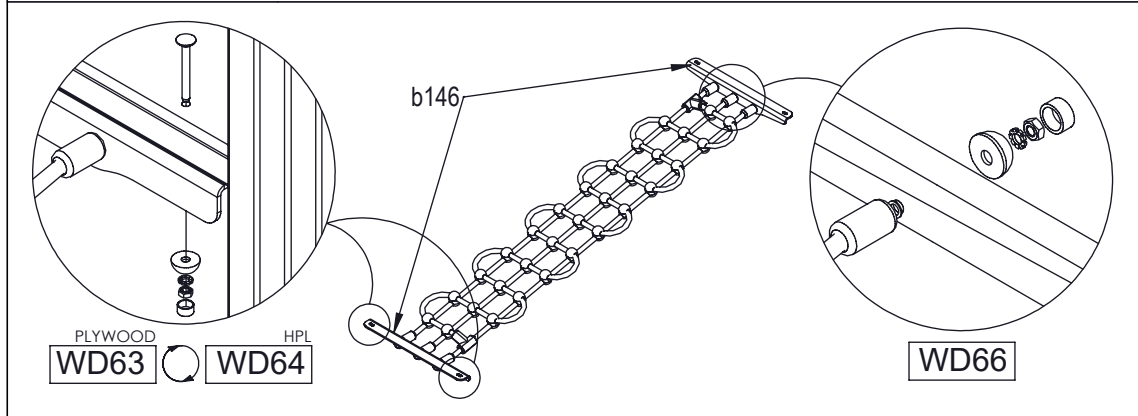
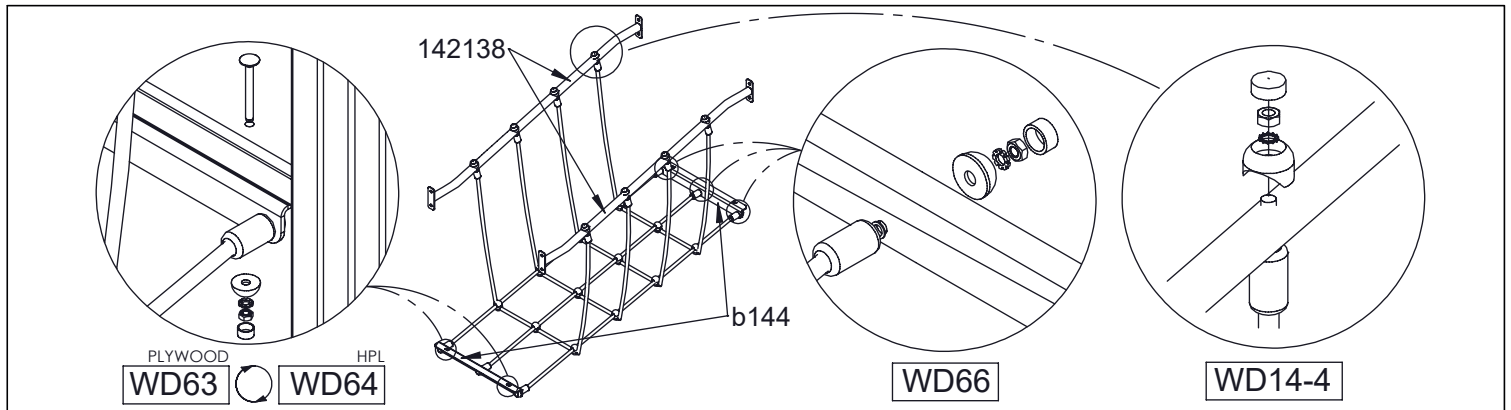


WD52

[cm]

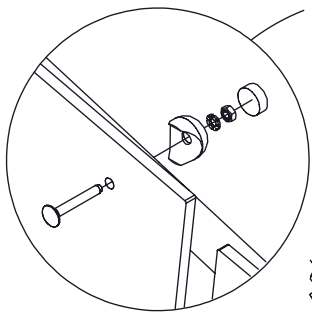


vinci
play

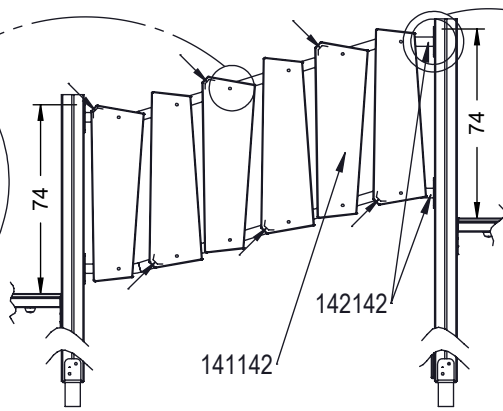


[cm]

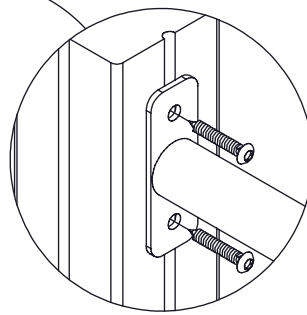
vinci
play



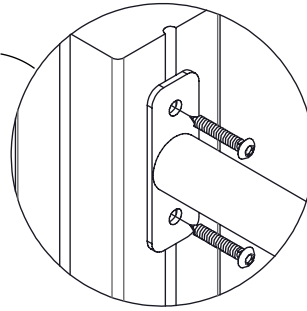
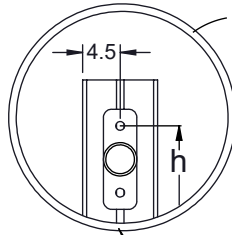
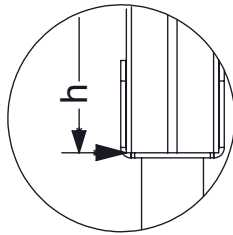
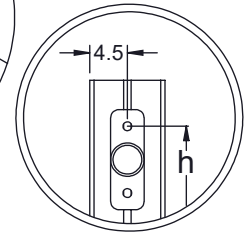
WD79



141142

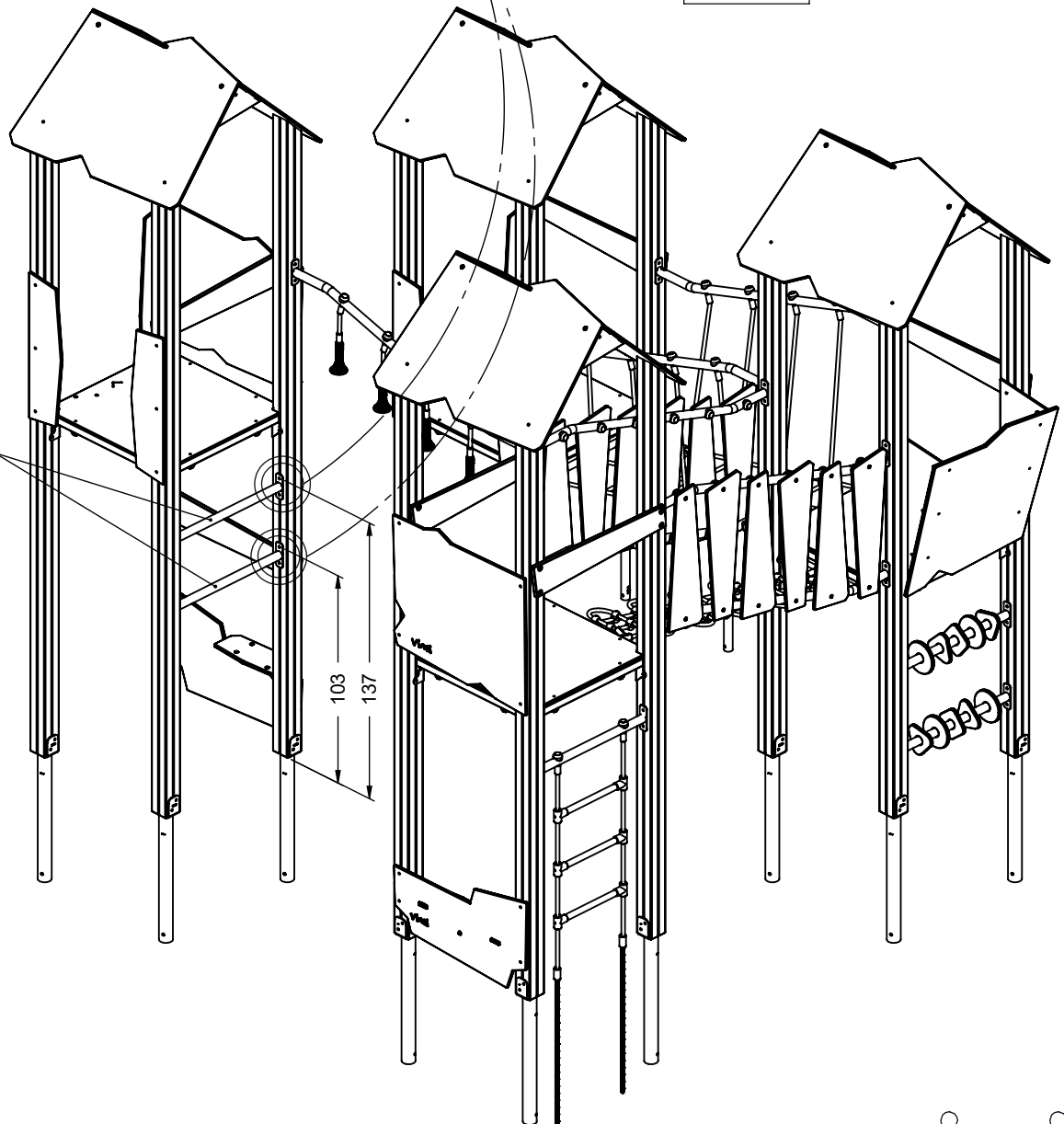


8x50 sxi



8x50 sxi

142117
2x



103

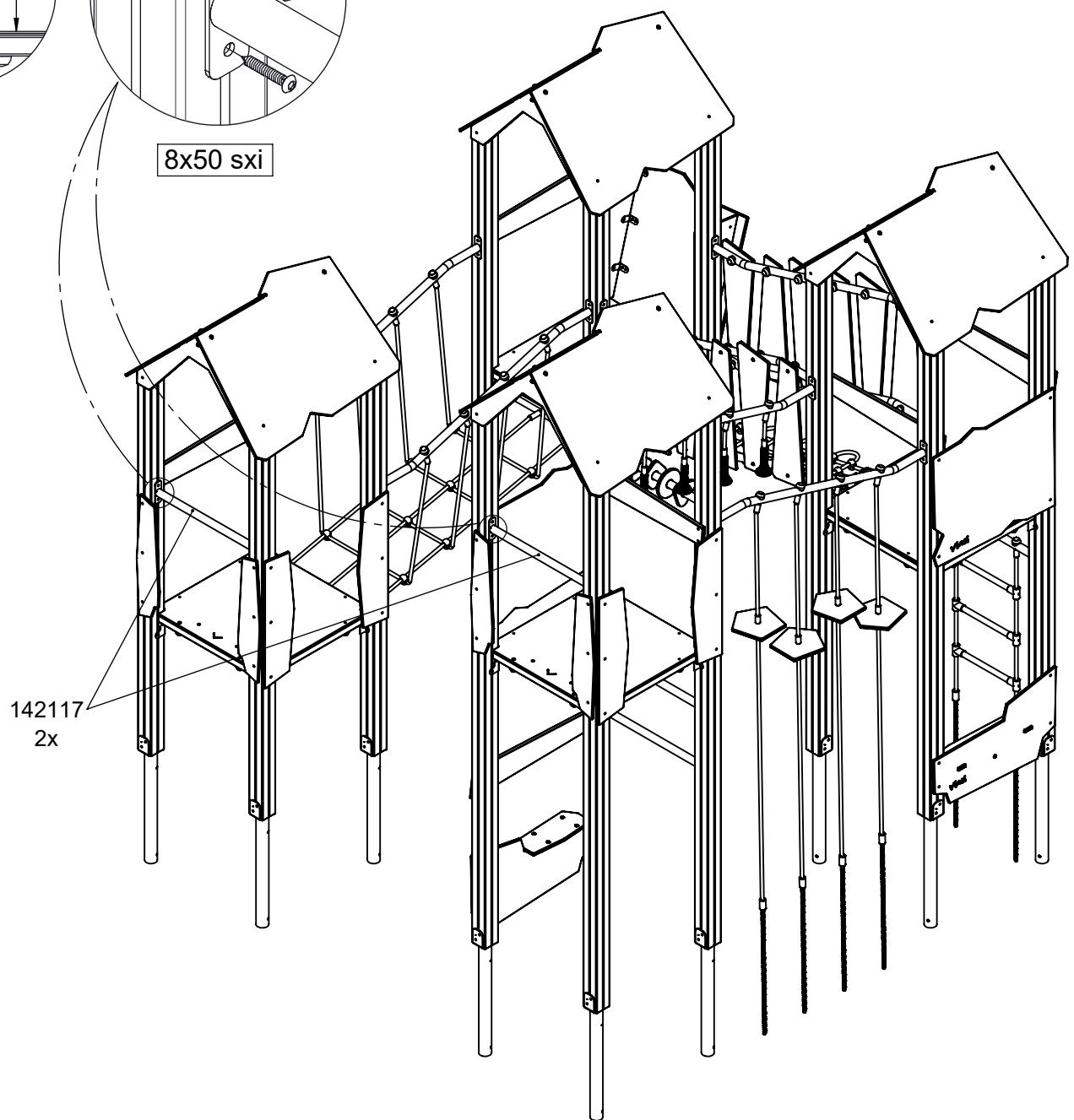
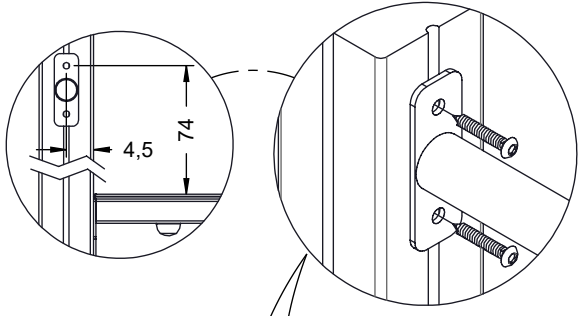
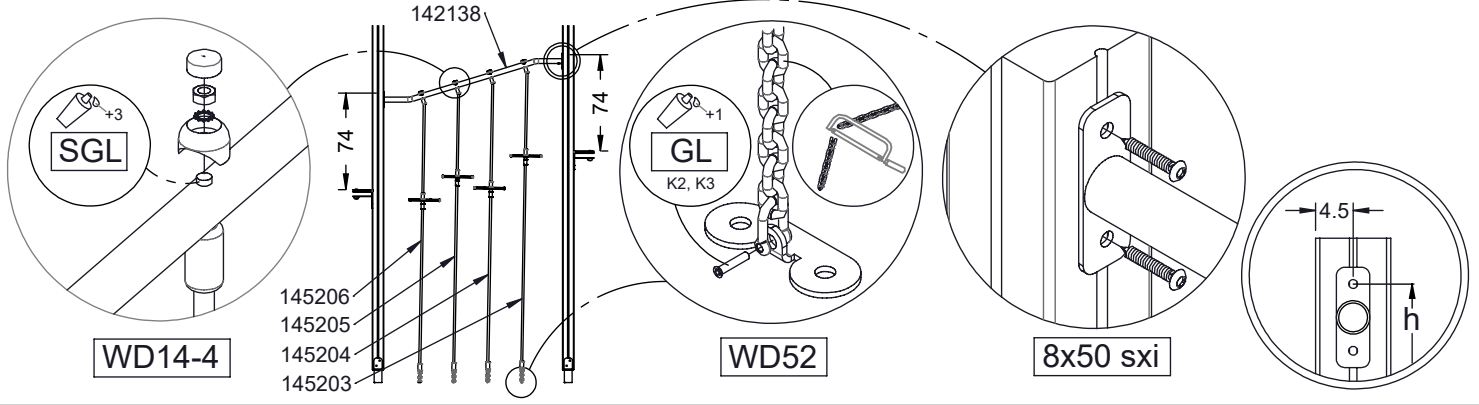
137

vinci
play

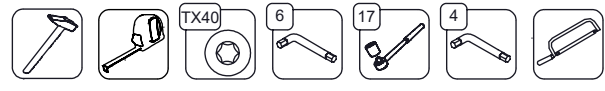


[cm]

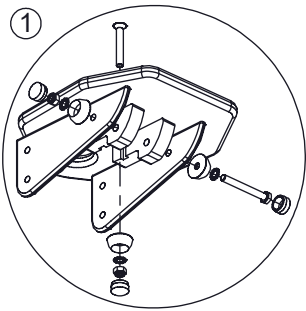
vinci
play



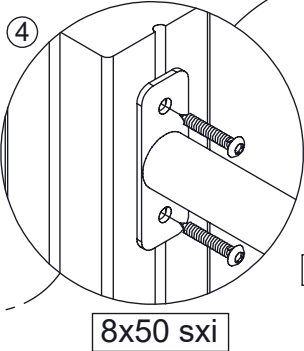
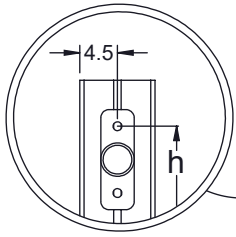
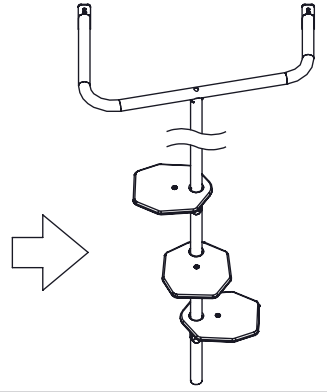
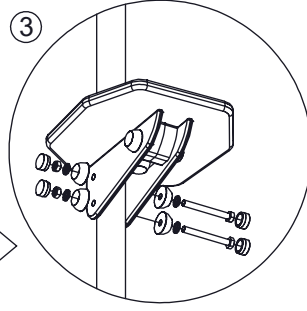
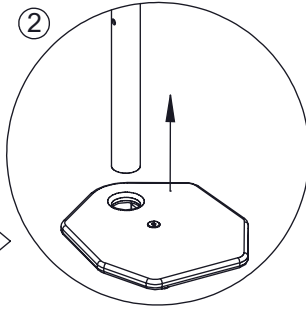
[cm]



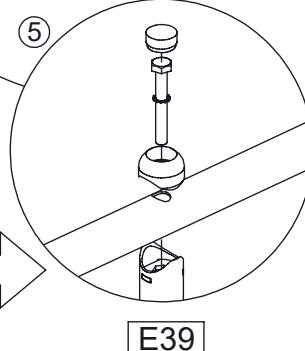
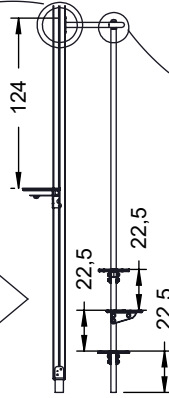
vinci
play



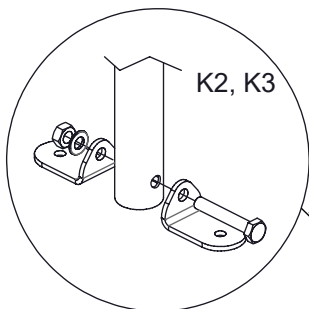
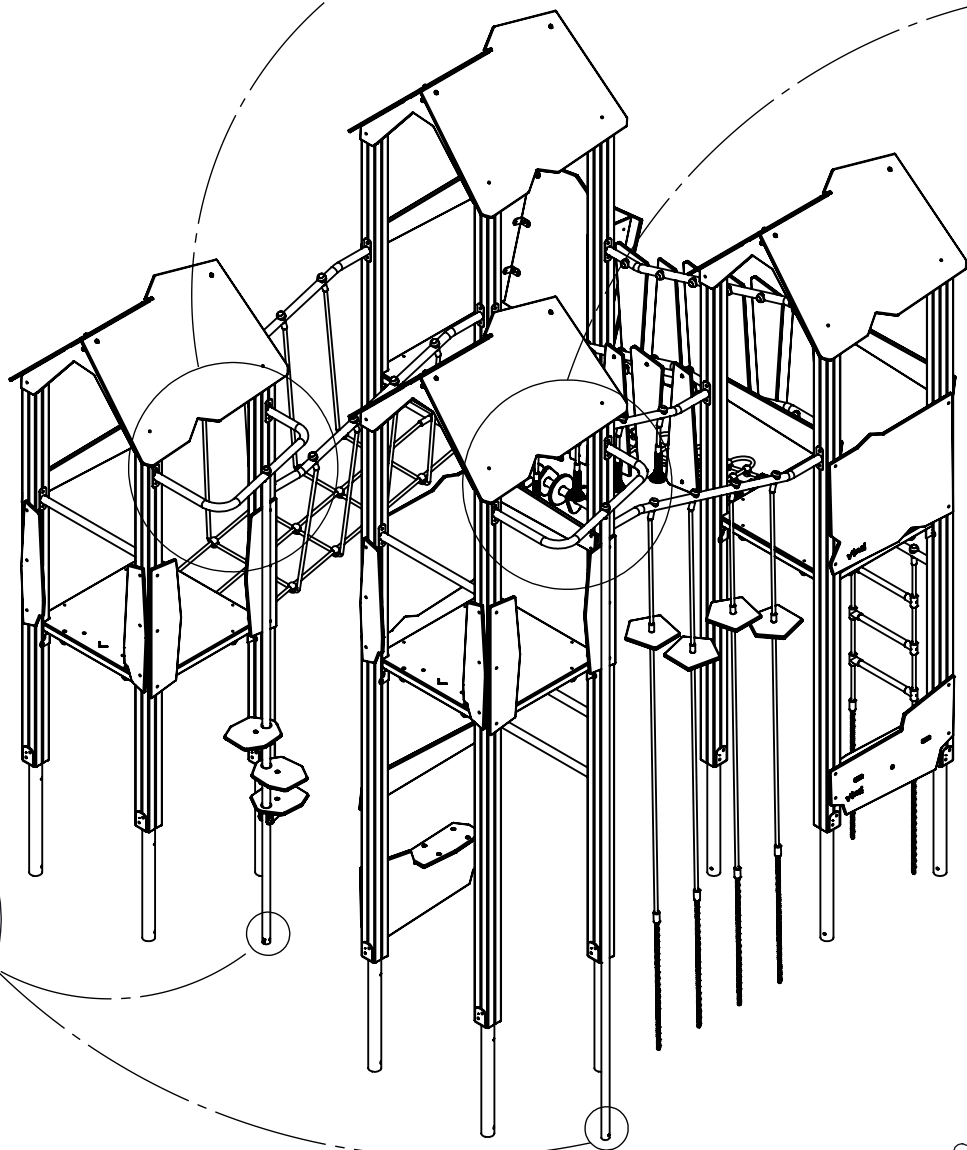
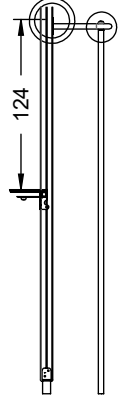
WD67 WD68



8x50 sxi



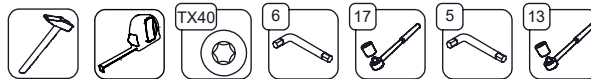
E39



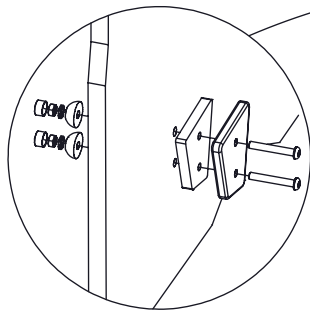
K2, K3

E38

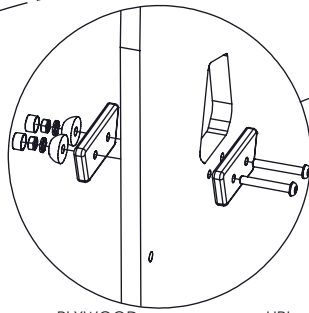
[cm]



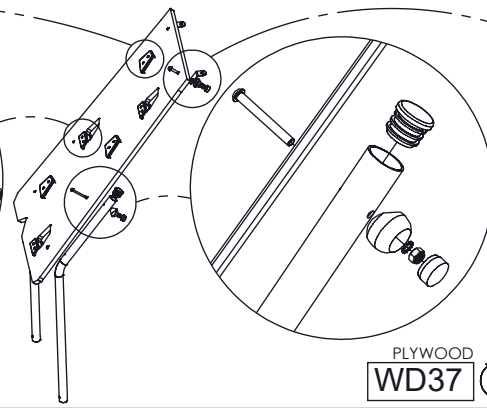
vinci play



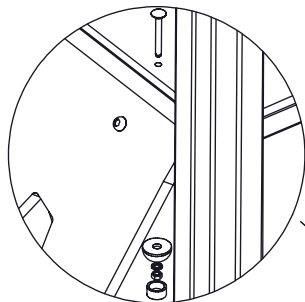
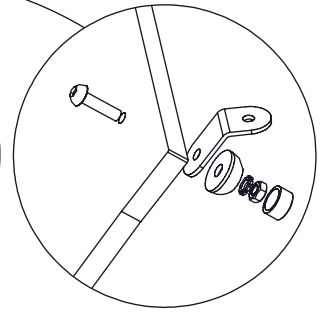
PLYWOOD HPL
WD15 WD16



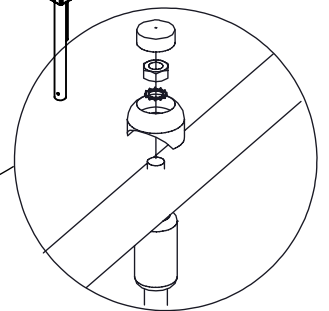
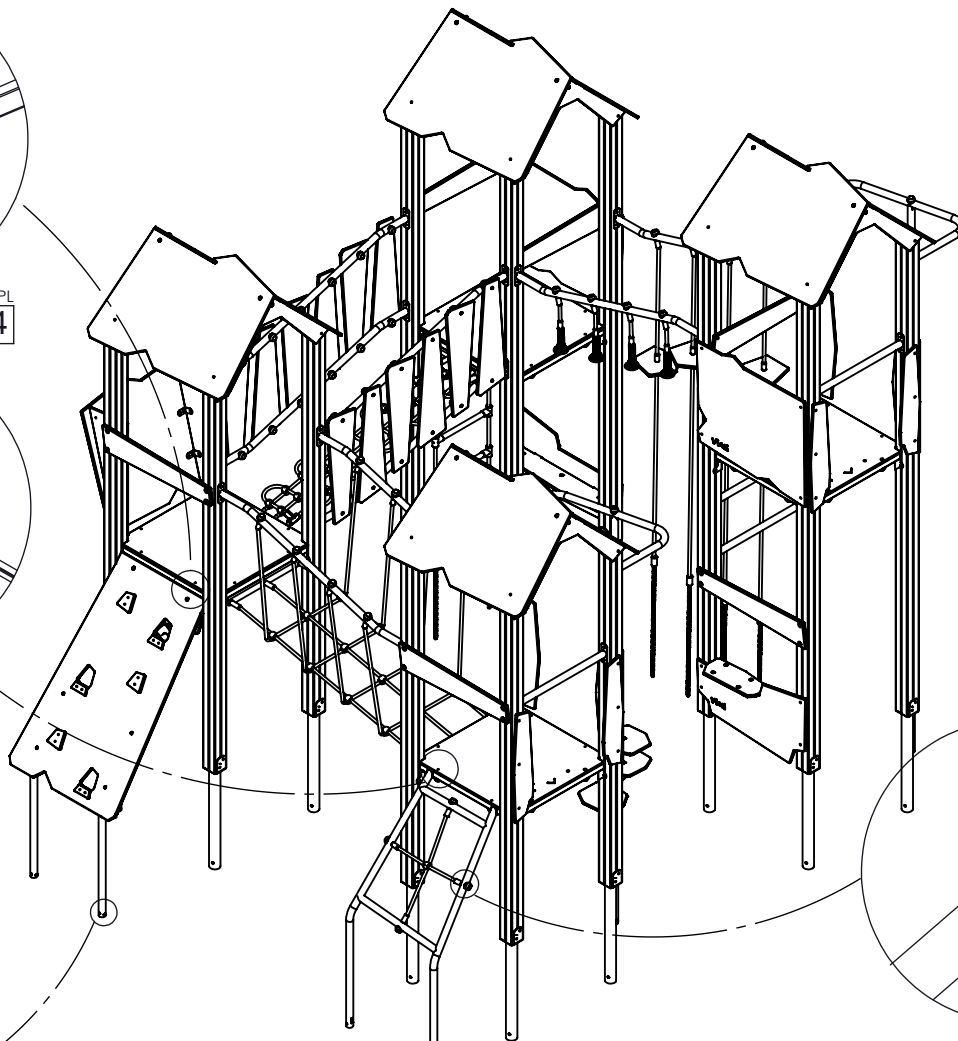
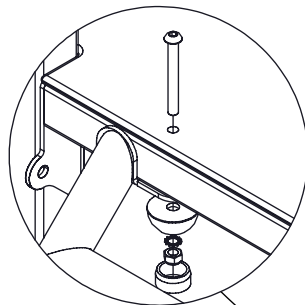
PLYWOOD HPL
WD35 WD36



PLYWOOD HPL
WD37 WD38

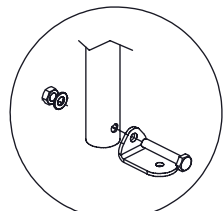


PLYWOOD HPL
WD63 WD64



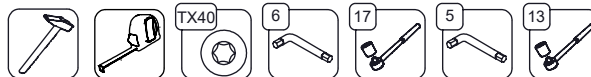
WD14-4

K2, K3

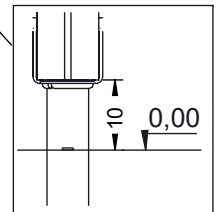
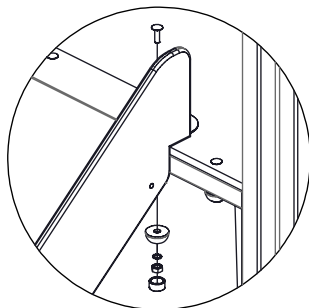
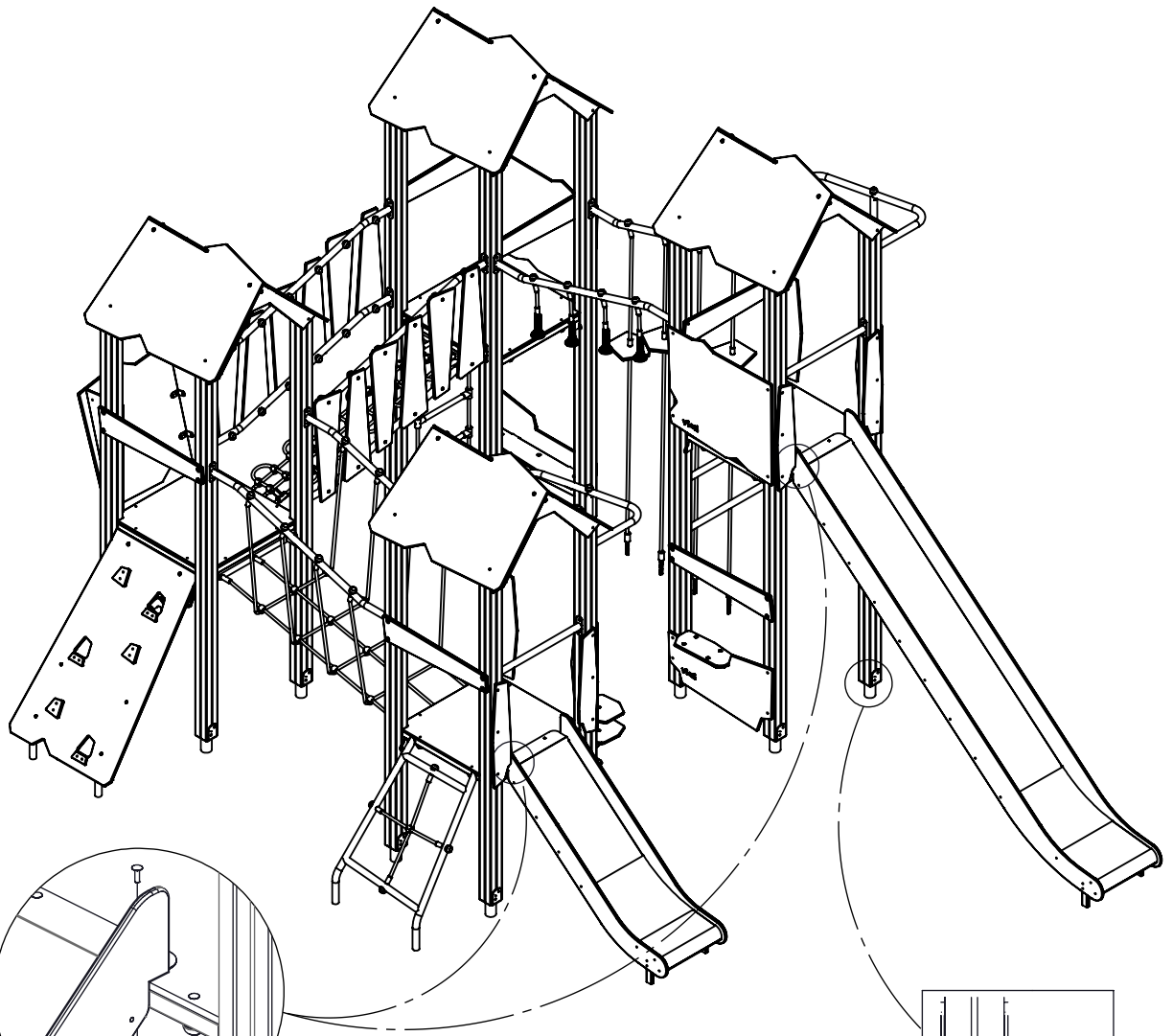


E88

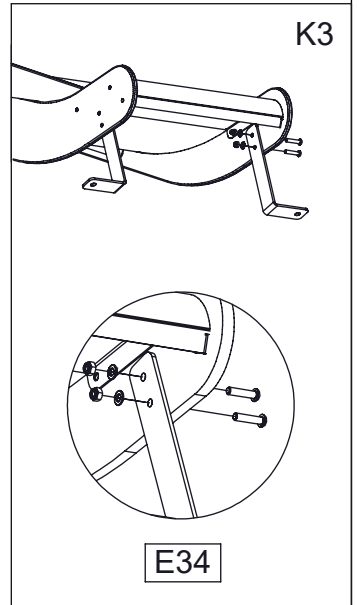
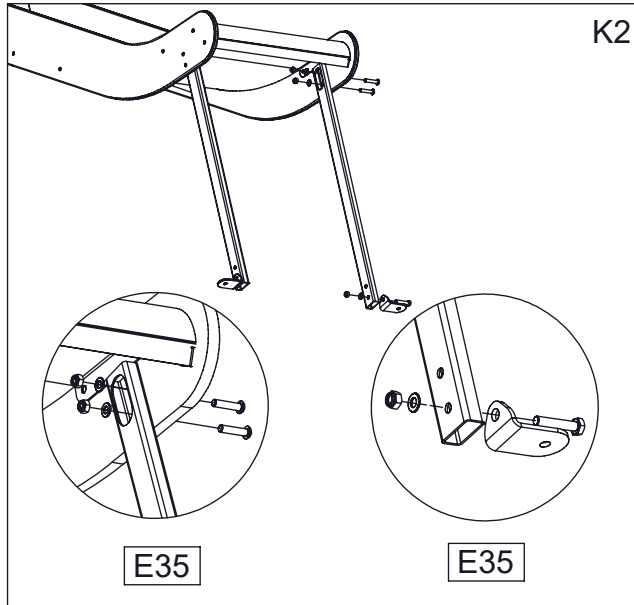
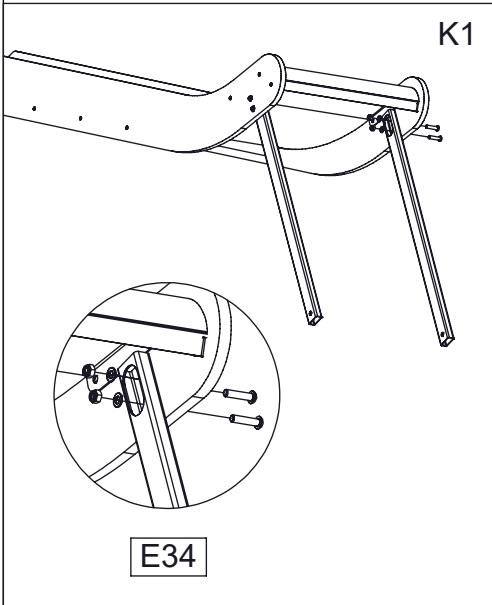
[cm]



vinci
play



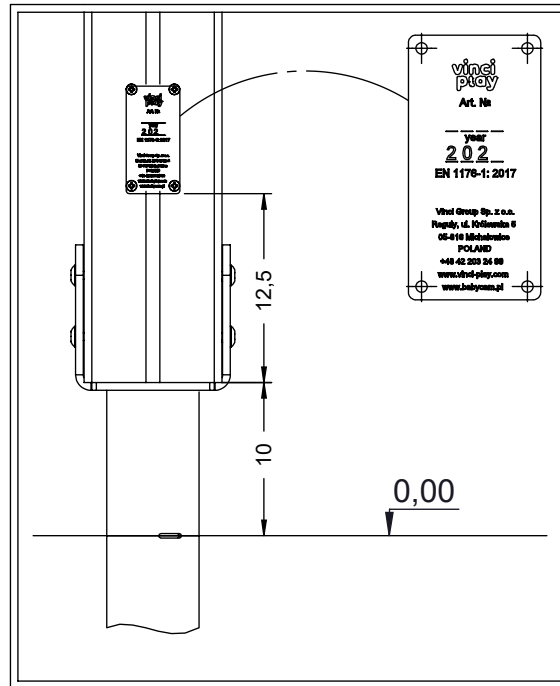
PLYWOOD HPL
 WD28 (S1) WD29
 PLYWOOD HPL
 WD113 (S6) WD114



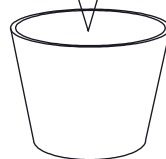
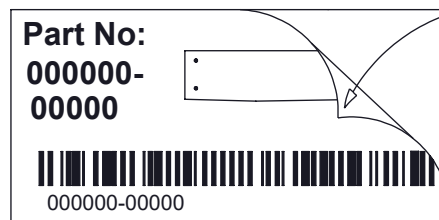
[cm]



vinci
play



V001



[cm]



vinci
play