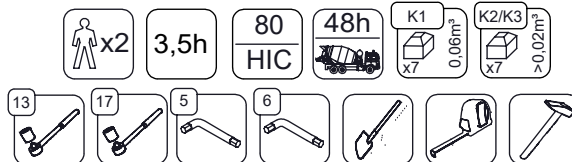
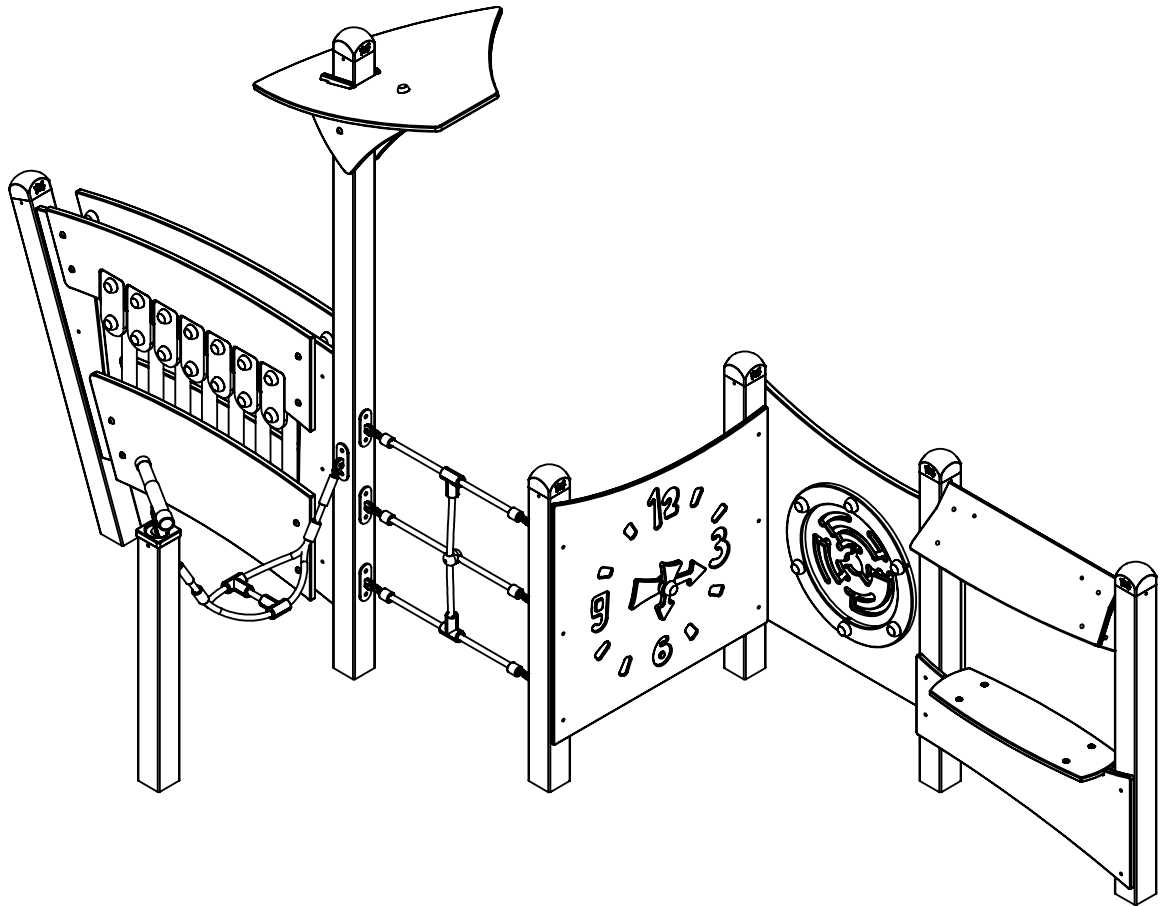


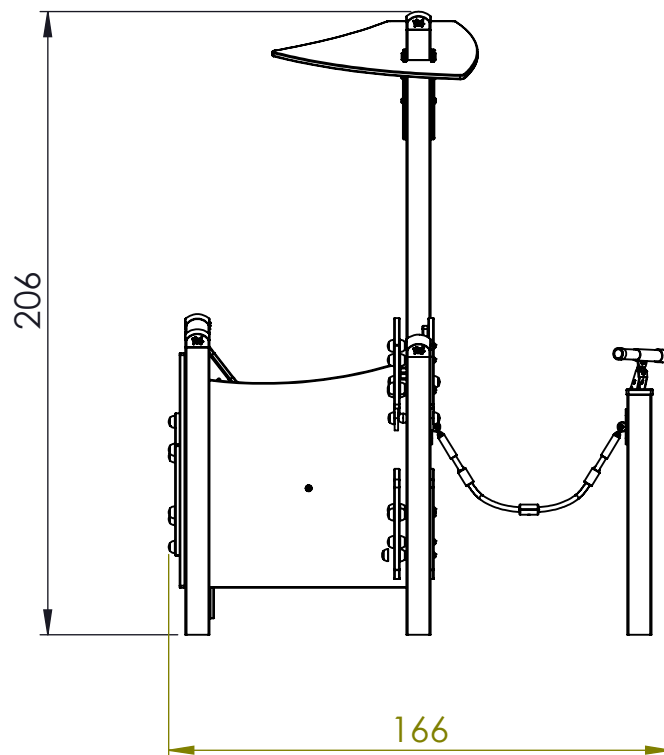
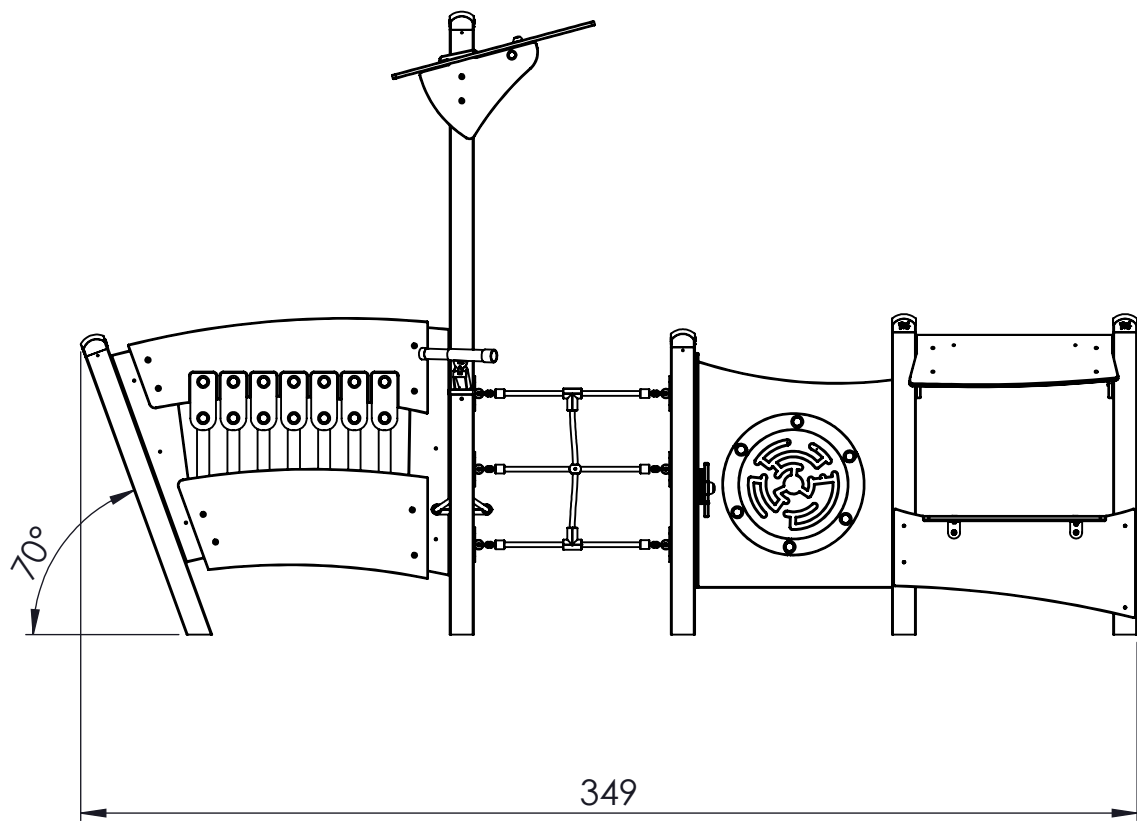
1721



[cm]

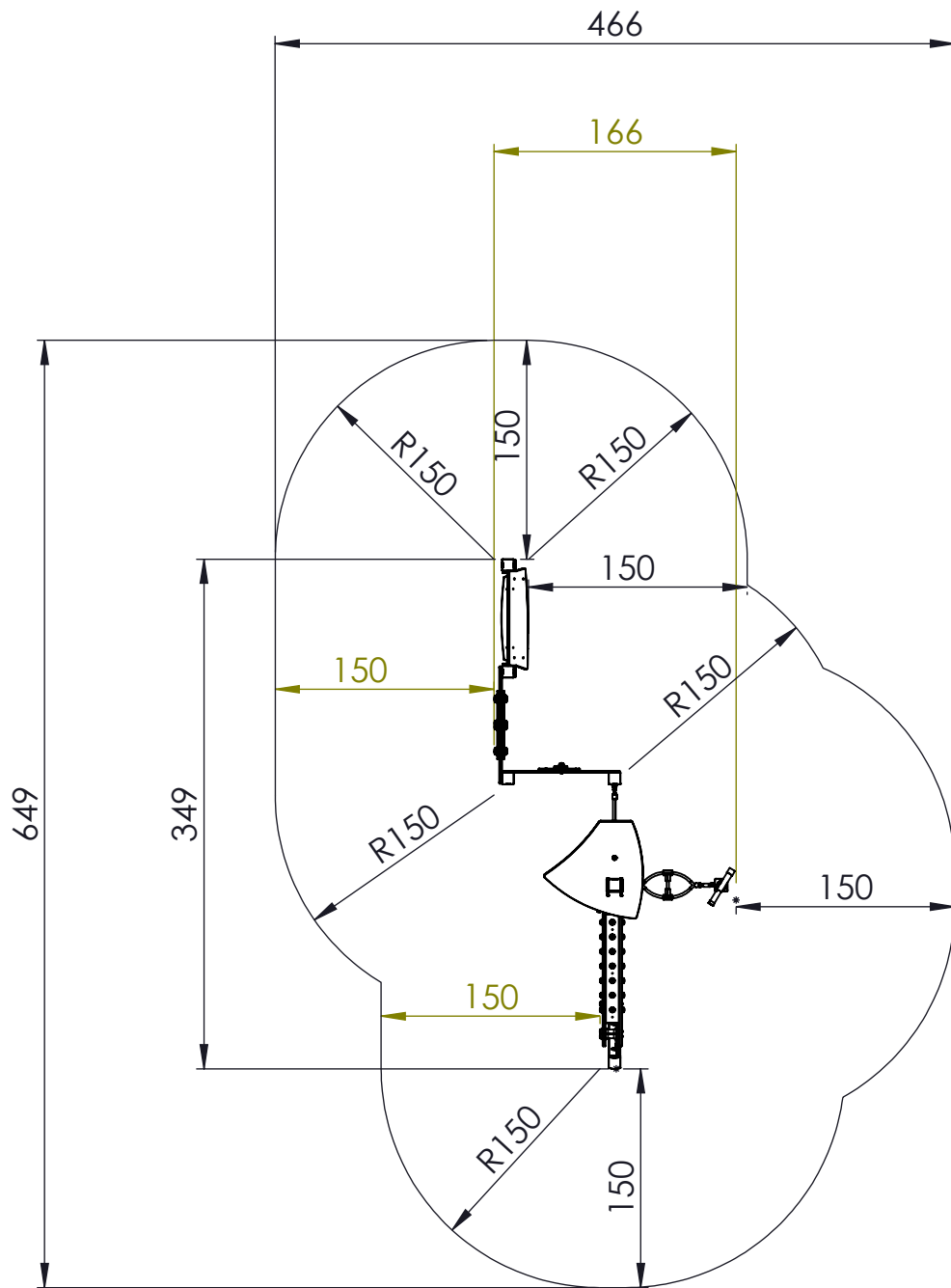
v014 / 22.09.2021
D.P.

vinci
play

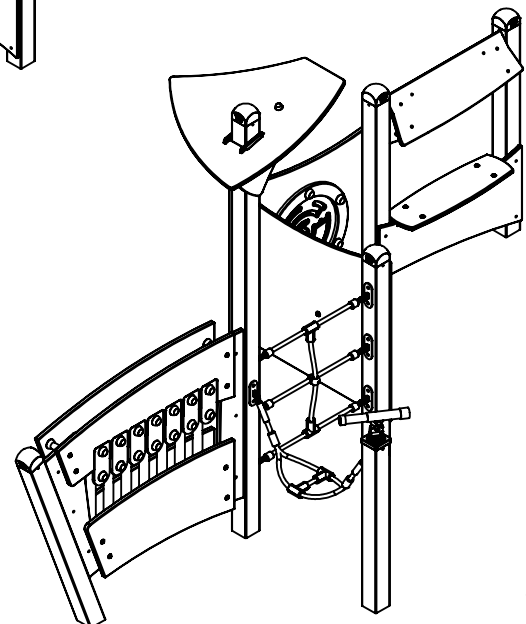
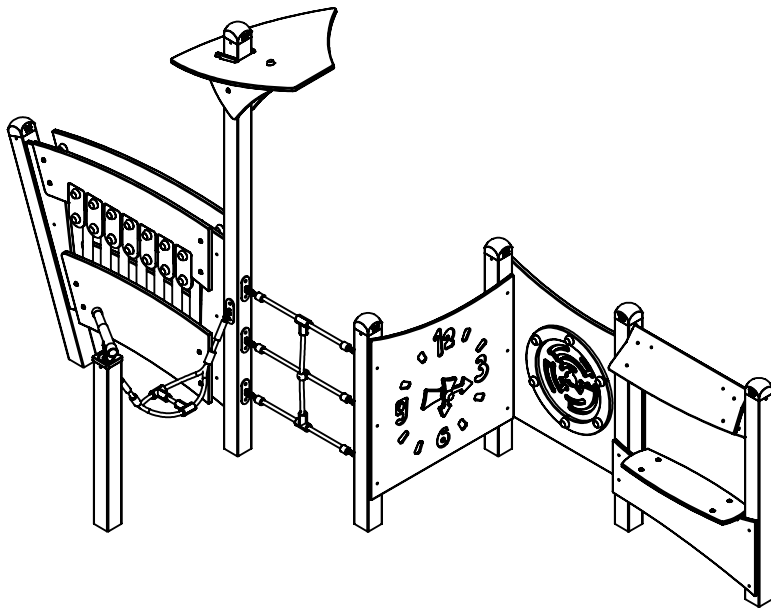
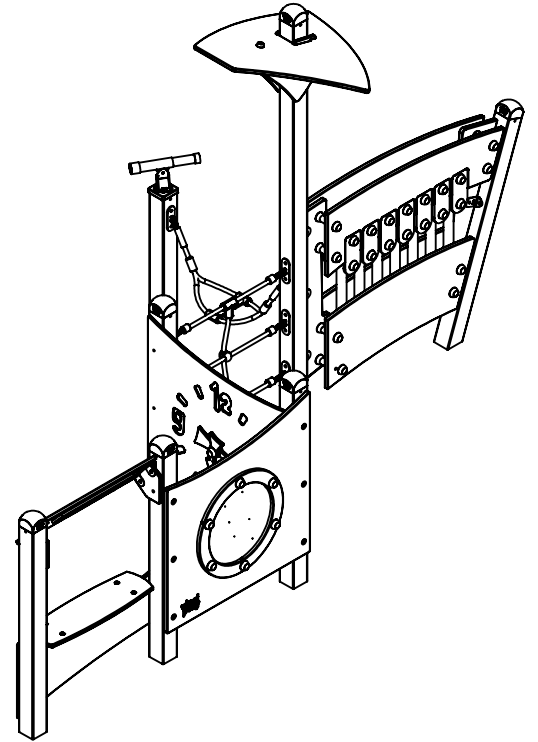
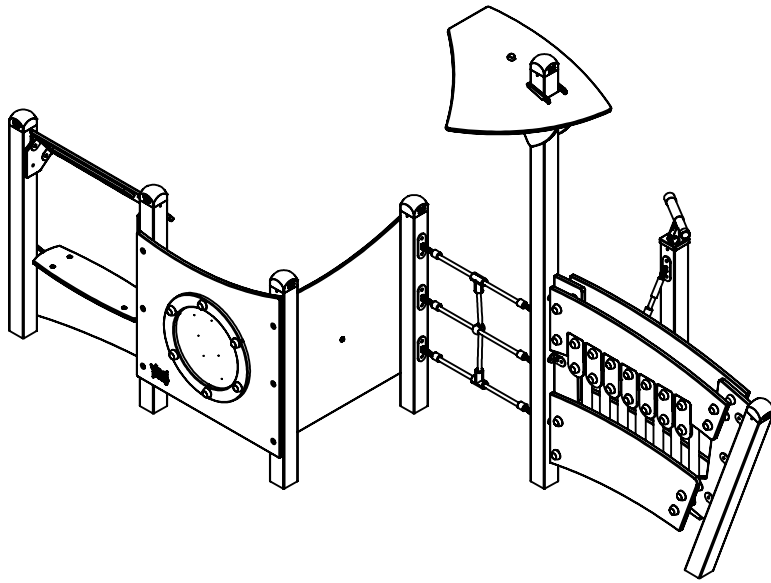


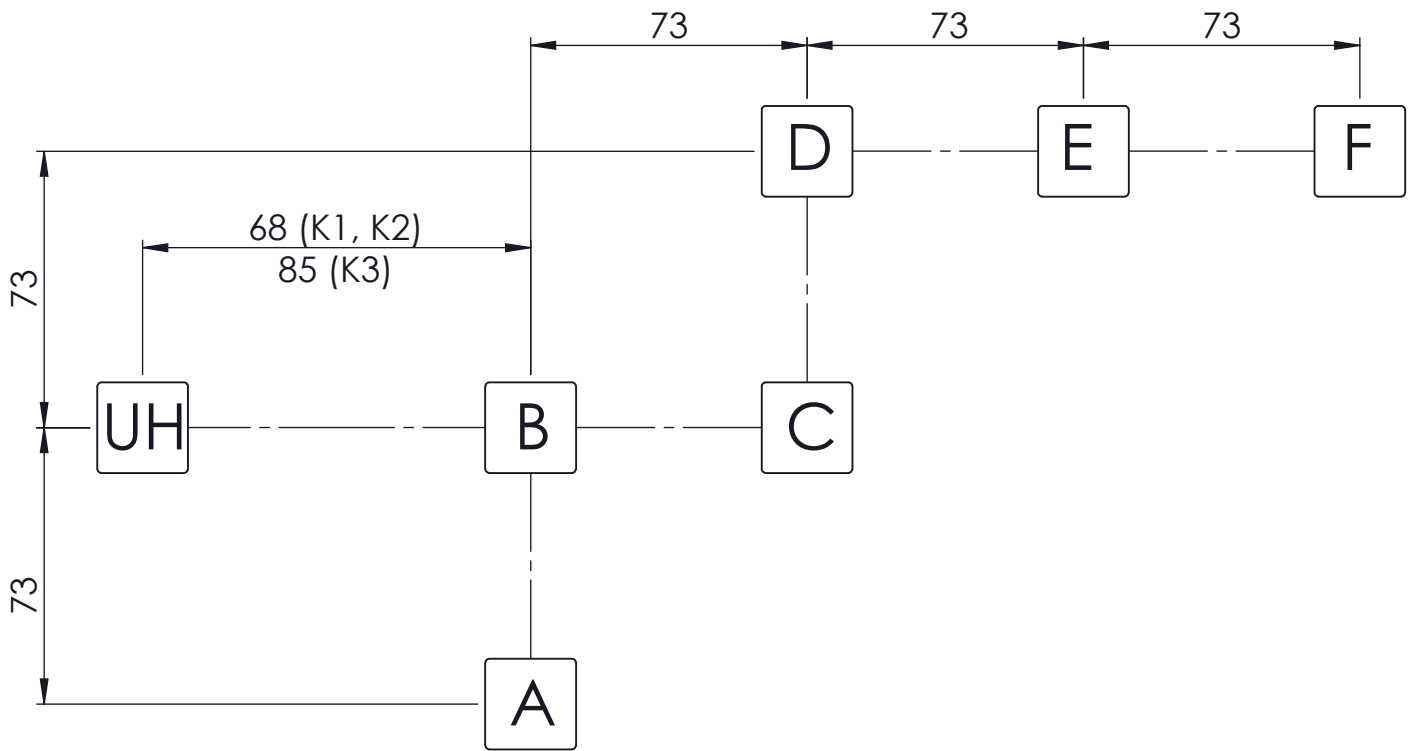
[cm]

vinci
play

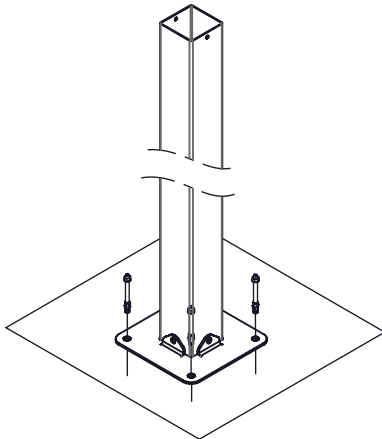
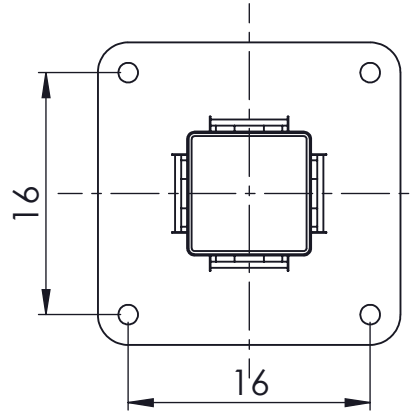
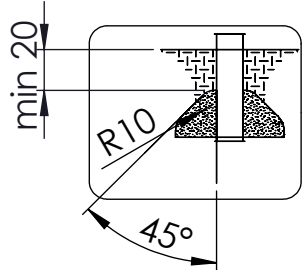
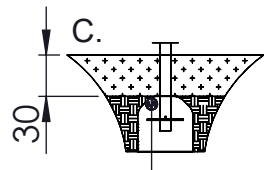
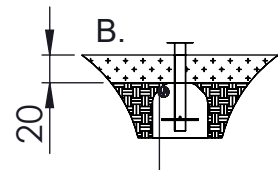
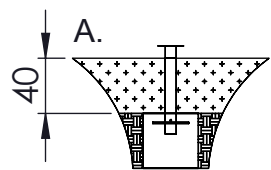


[cm]





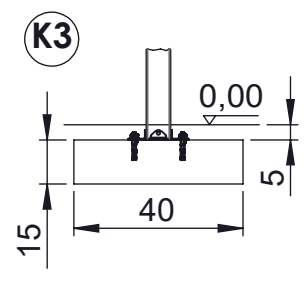
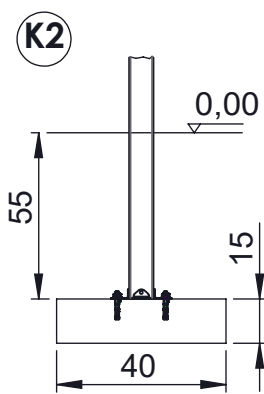
48h



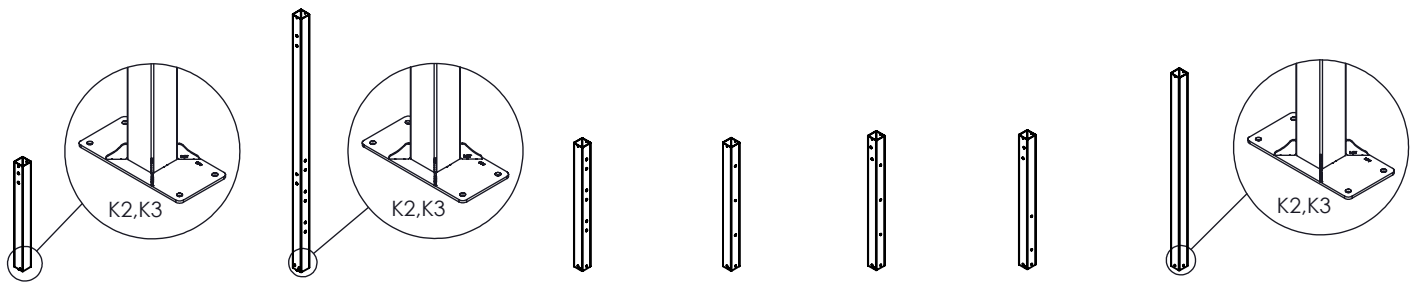
K3

M10x120 x28

NOT INCLUDED



[cm]



1721A
x1

1721B
x1

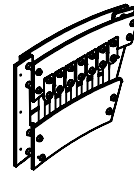
1721C
x1

1721D
x1

1721E
x1

1721F
x1

17UH
x1



171113
x1

171115
x2

021146
x2

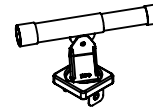
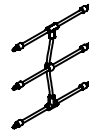
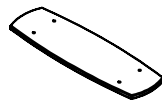
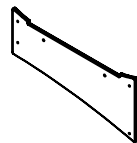
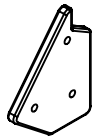
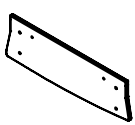
021149
x1

171155
x1

174119
x1

174116
x1

171146
x1



171105
x1

171106
x2

171107
x1

171108
x1

175106
x1

174136
x1

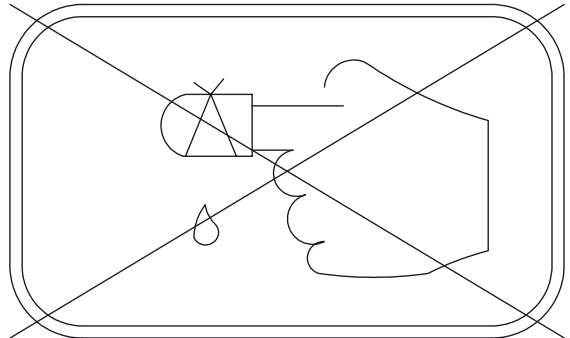
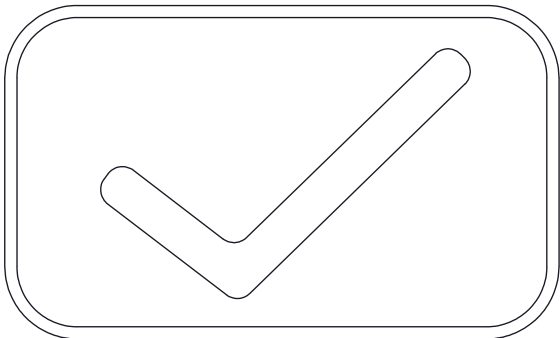
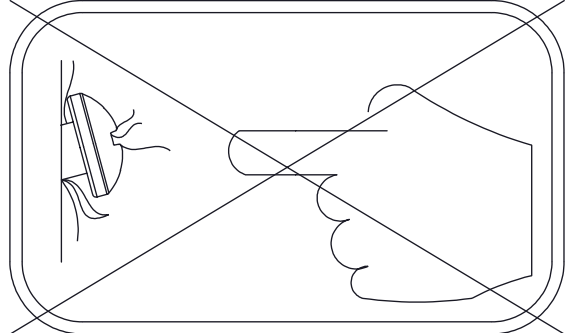
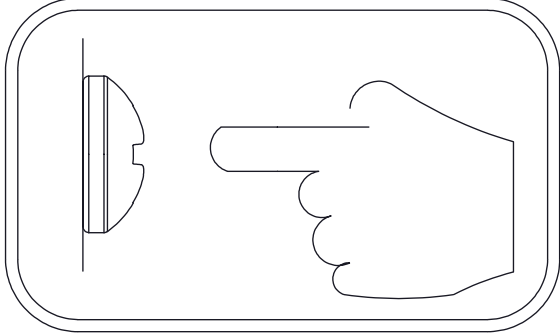
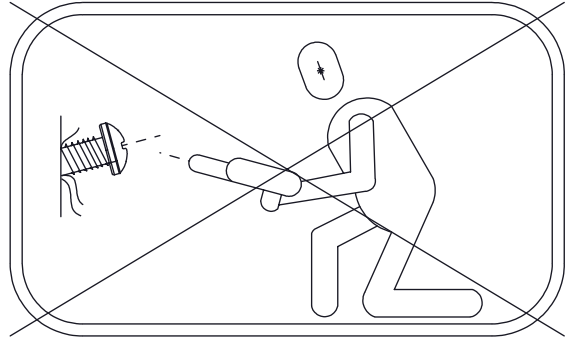
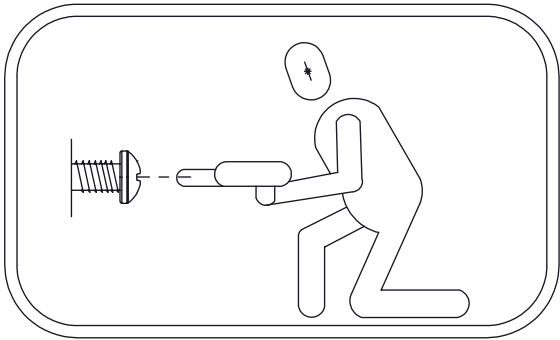
174128
x1

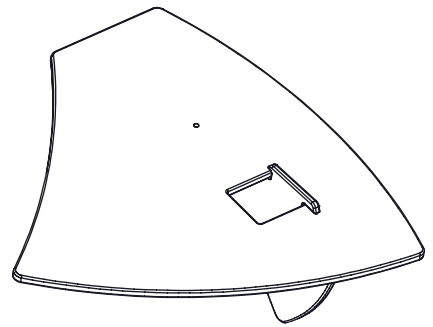
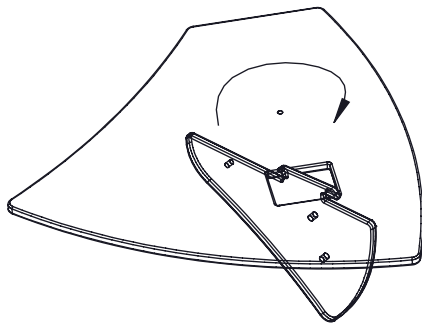
Qty.	ST/INOX
16	10 pp*
16	10 nh*
16	10x20 m*
16	10x25 ikl
4	10x40 ikl
16	10 pp
4	10x30 ikl
10	8x30 ikl
8	8x25 ikl
2	8 pp
1	17e050
3	17e066
1	V001

Qty.	HDPE
1	17c014
1	17c016
1	17c018
1	17c032
1	17c046
1	17c048



* K2, K3



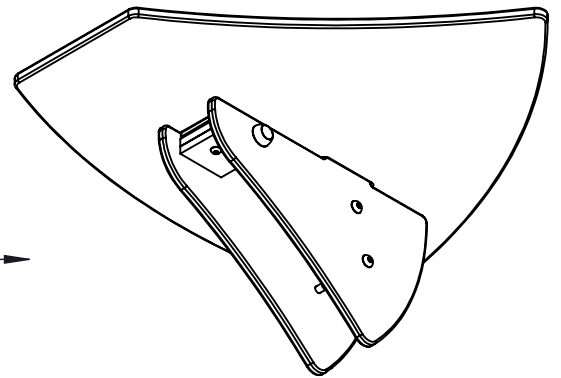
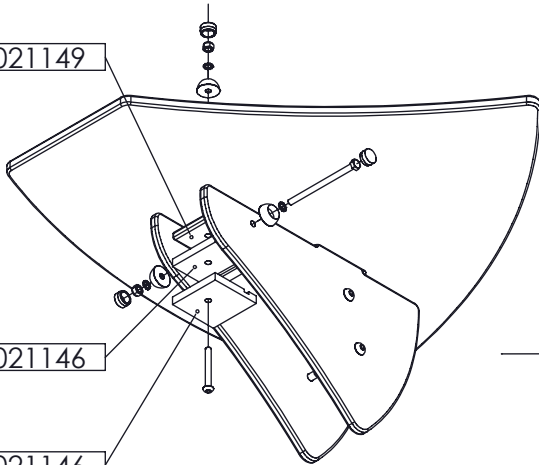


021149

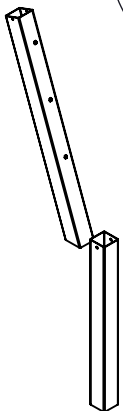
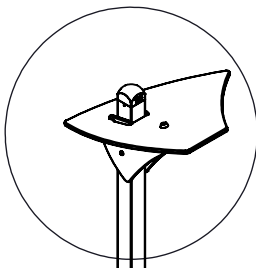
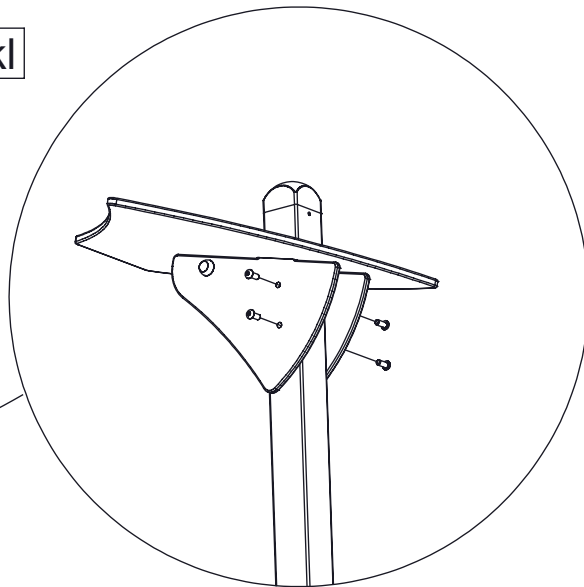
1x 17c032

021146

021146

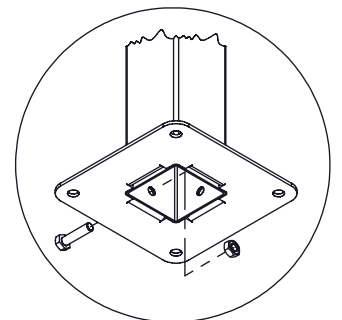


4x 10x30ikl



[cm]

K2, K3

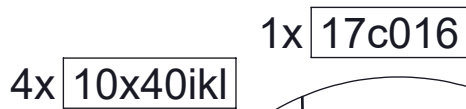
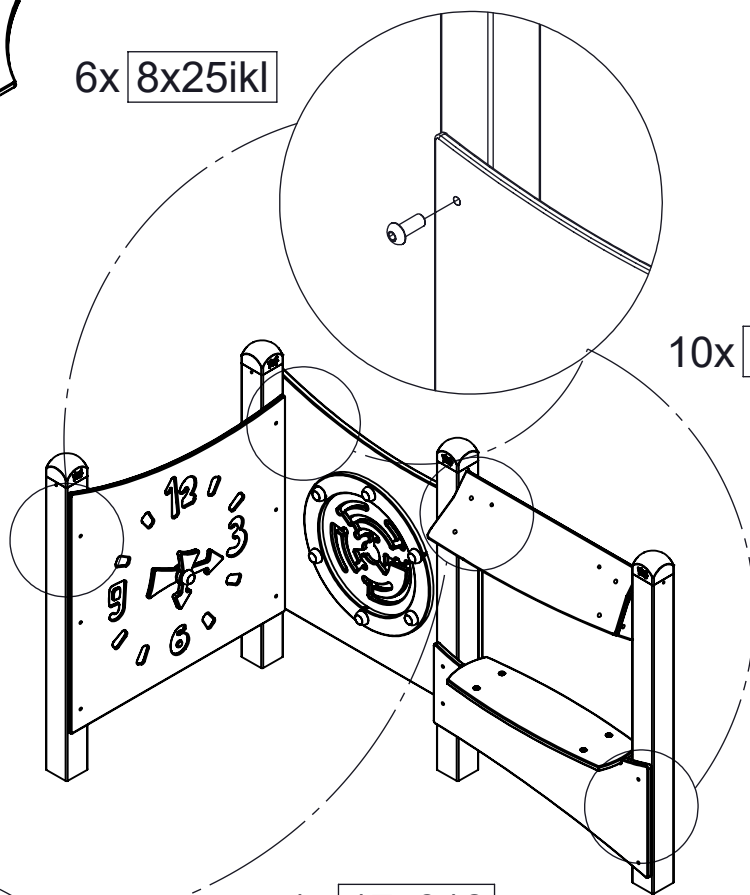
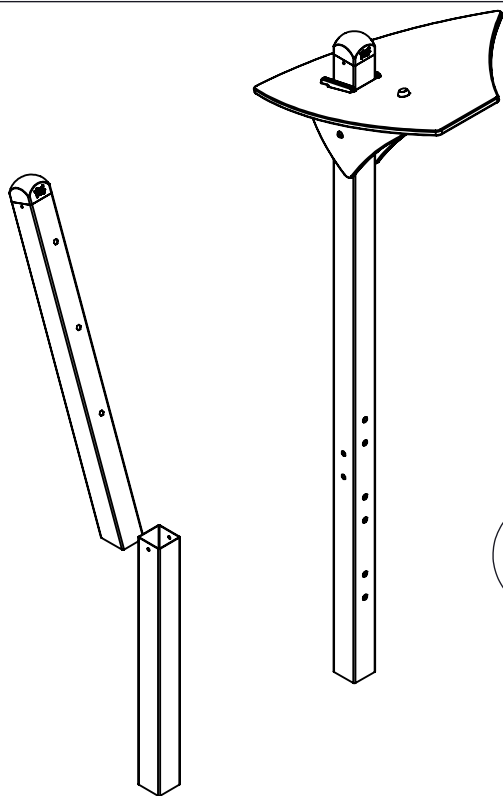
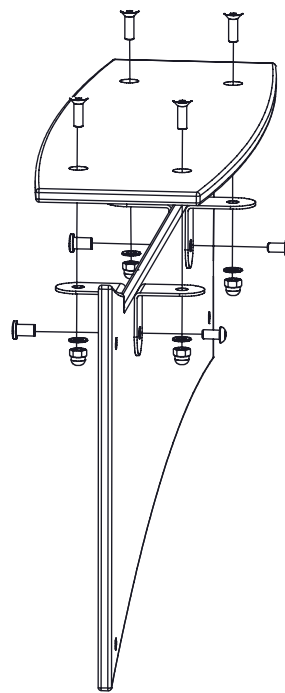
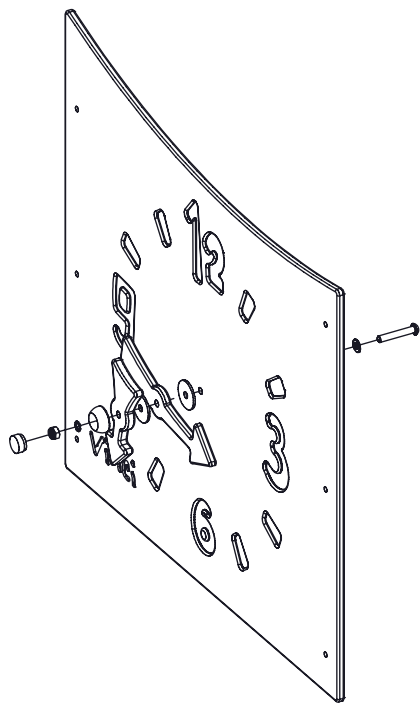


16x 10x20m

16x 10pp

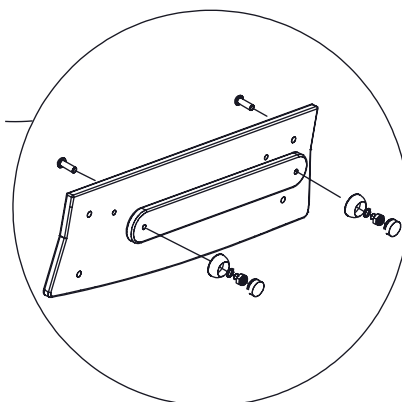
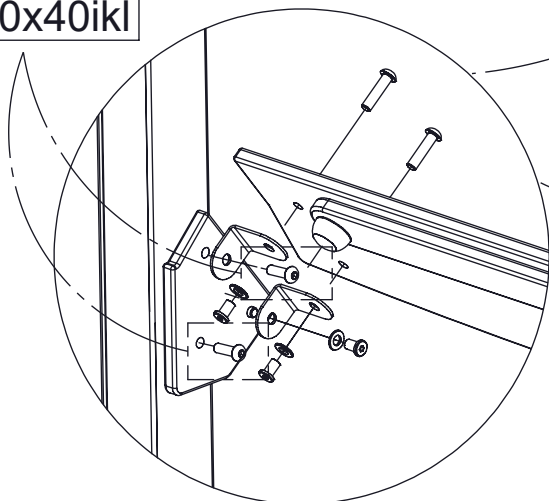
16x 10nh

vinci
play

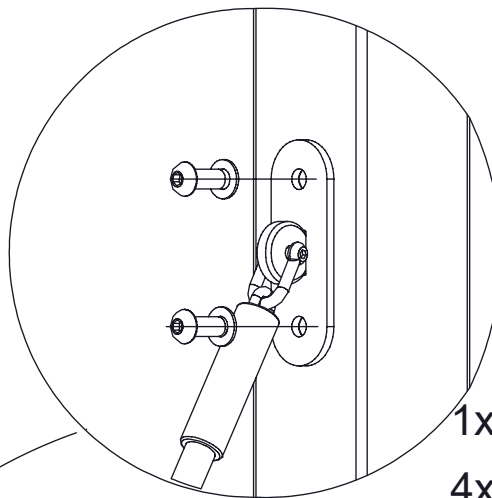
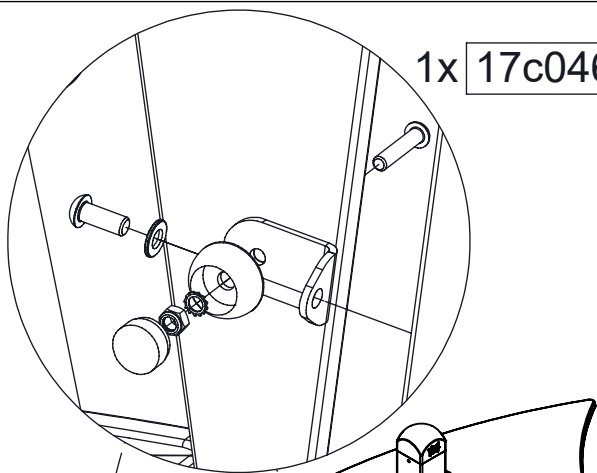


4x 10x40ikl

1x 17c018



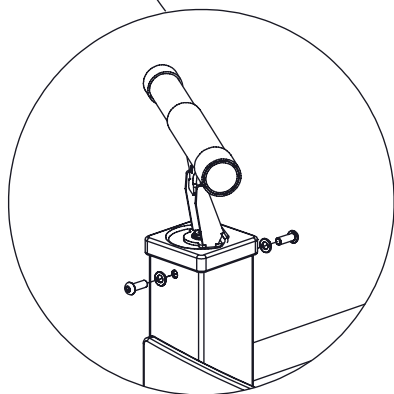
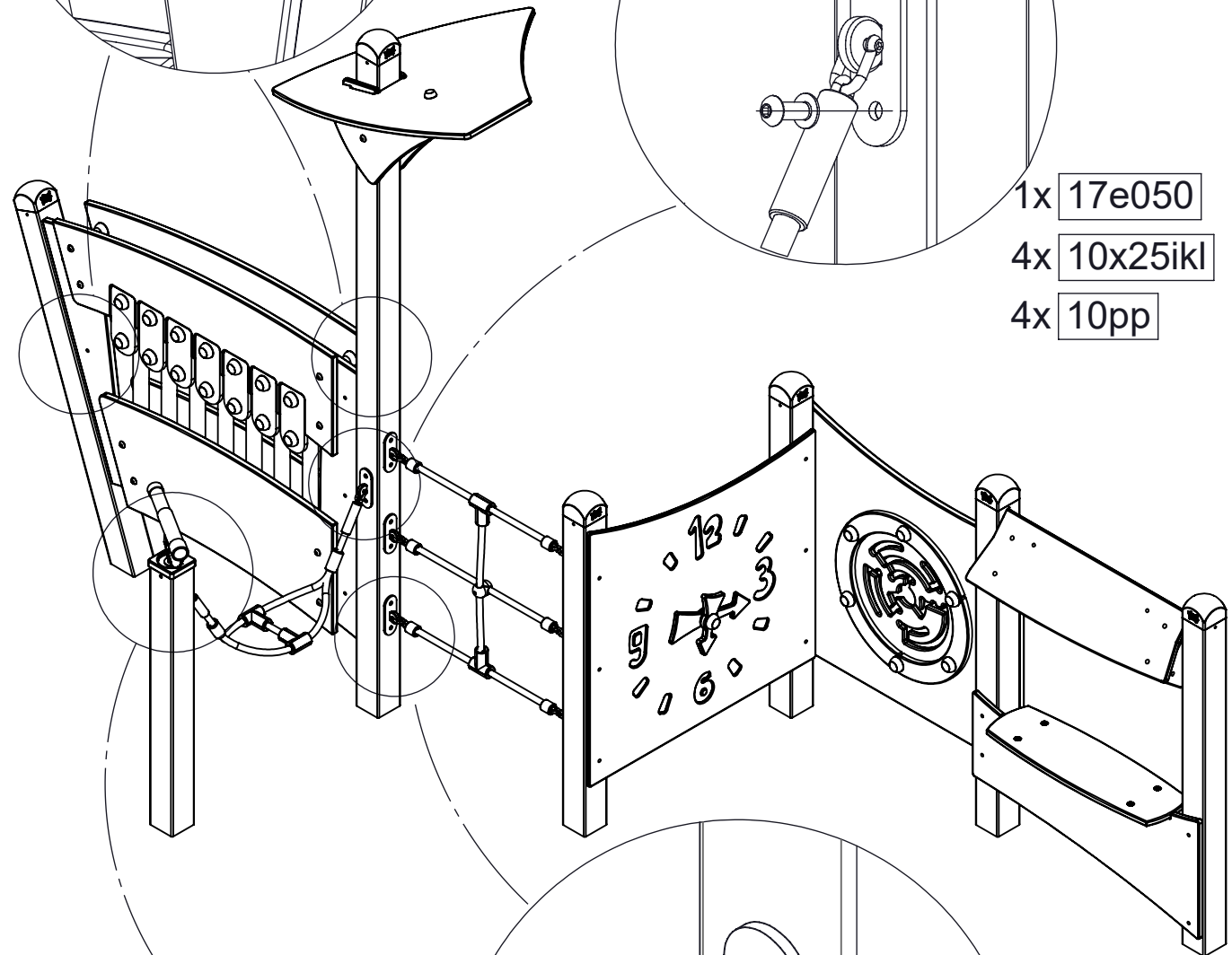
1x 17c046



1x 17e050

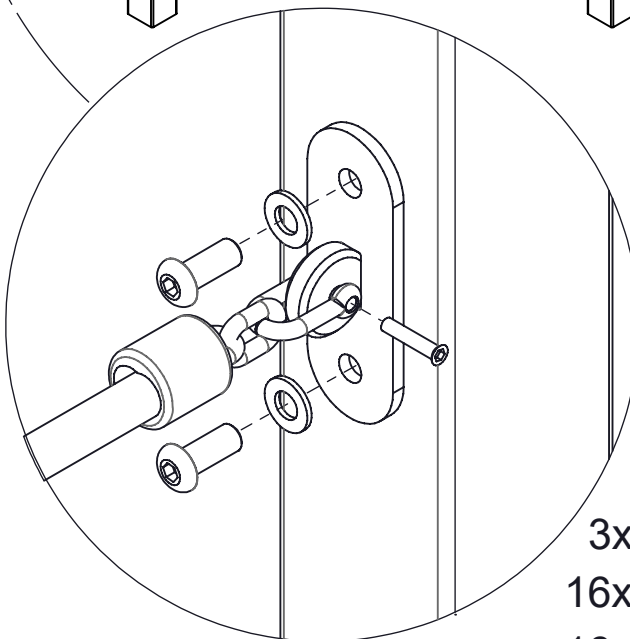
4x 10x25ikl

4x 10pp



2x 8x25ikl

2x 8pp



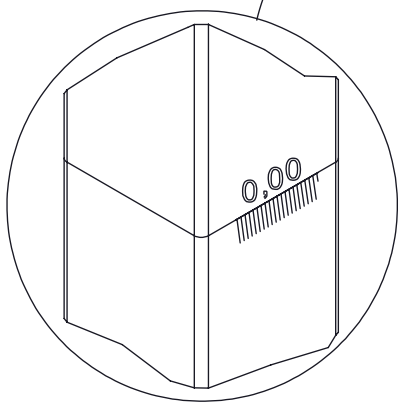
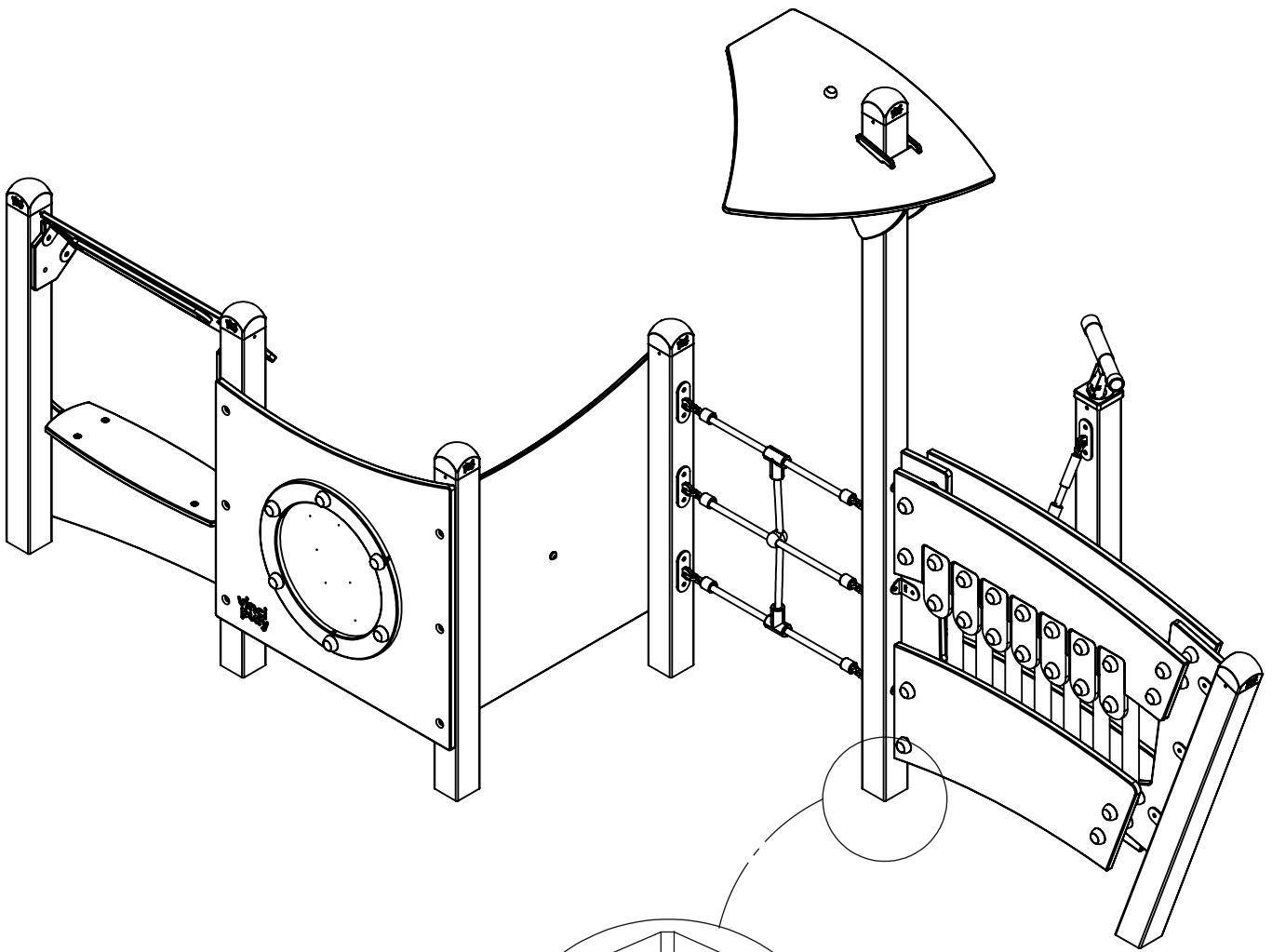
3x 17e066

16x 10x25ikl

16x 10pp

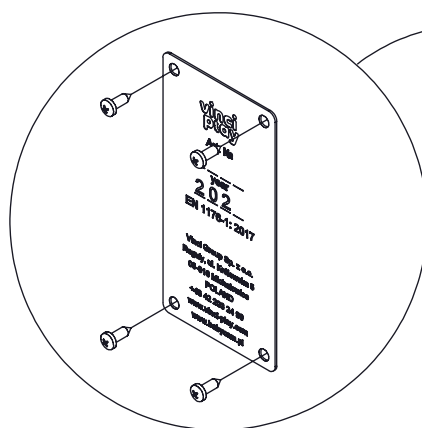
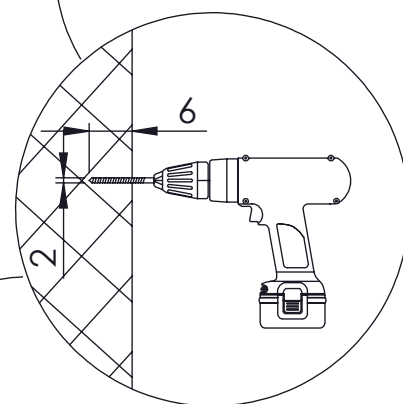
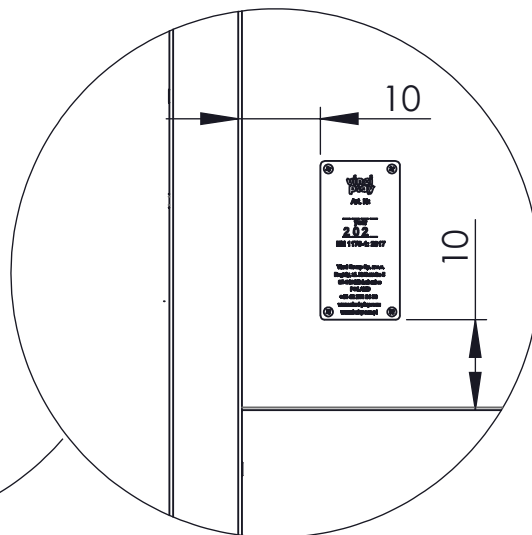
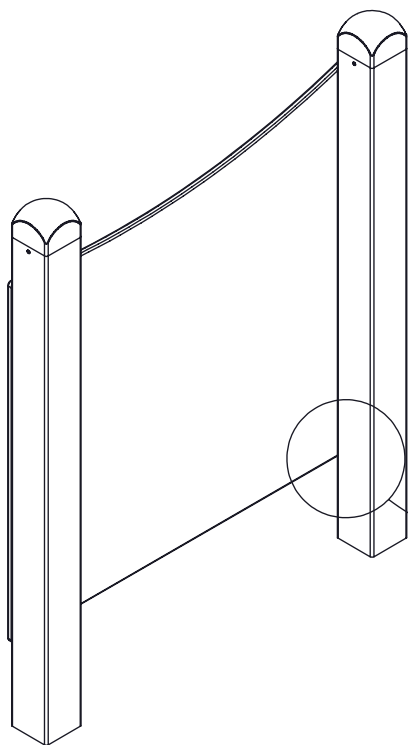
[cm]

48h



[cm]

vinci
play

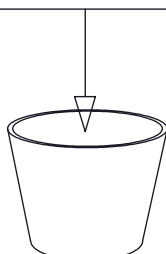


V001

Part No:
000000-
00000



000000-00000



[cm]

vinci
play