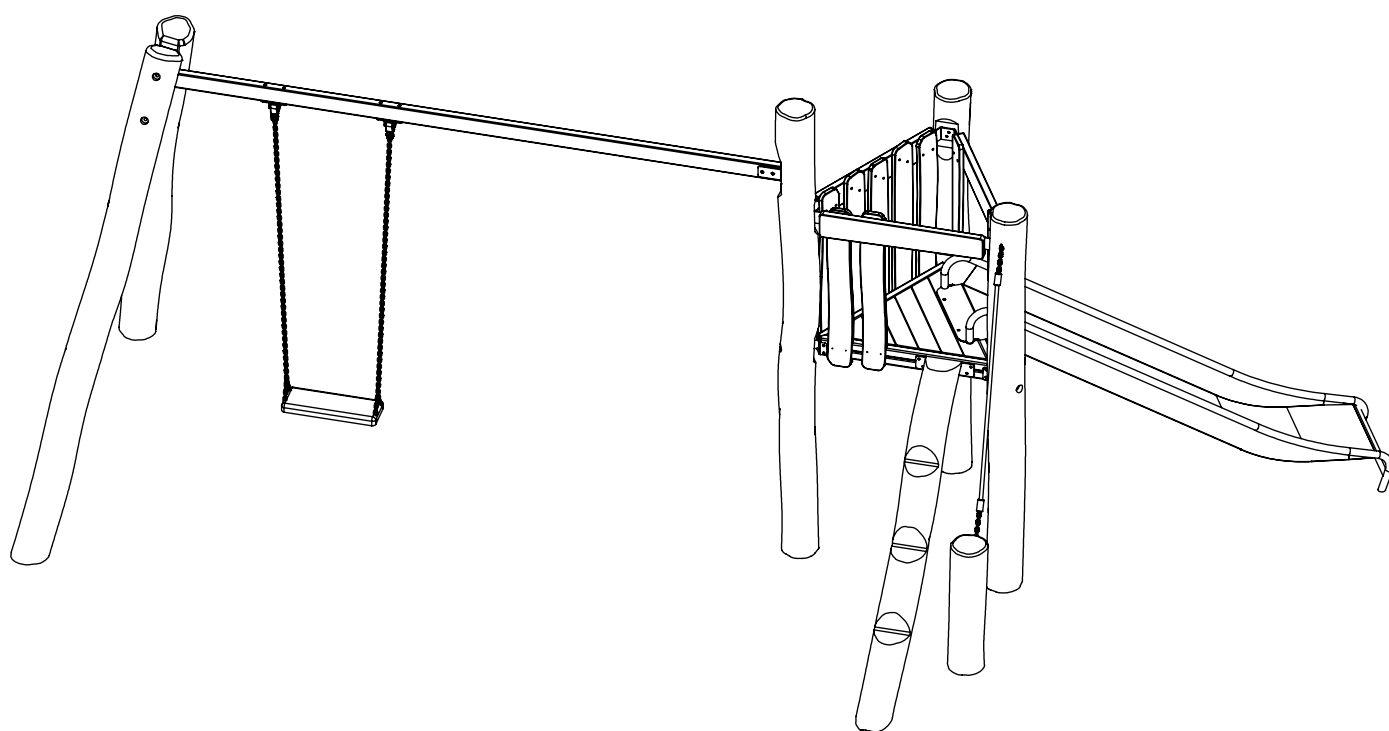
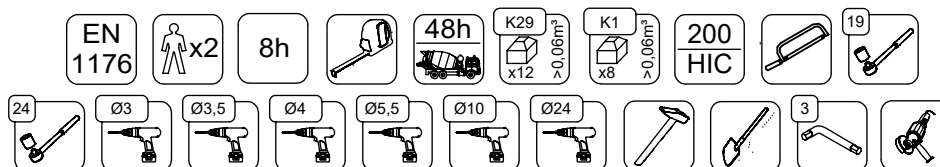


RB1305



v011
12.10.2021
D. P.
[cm]

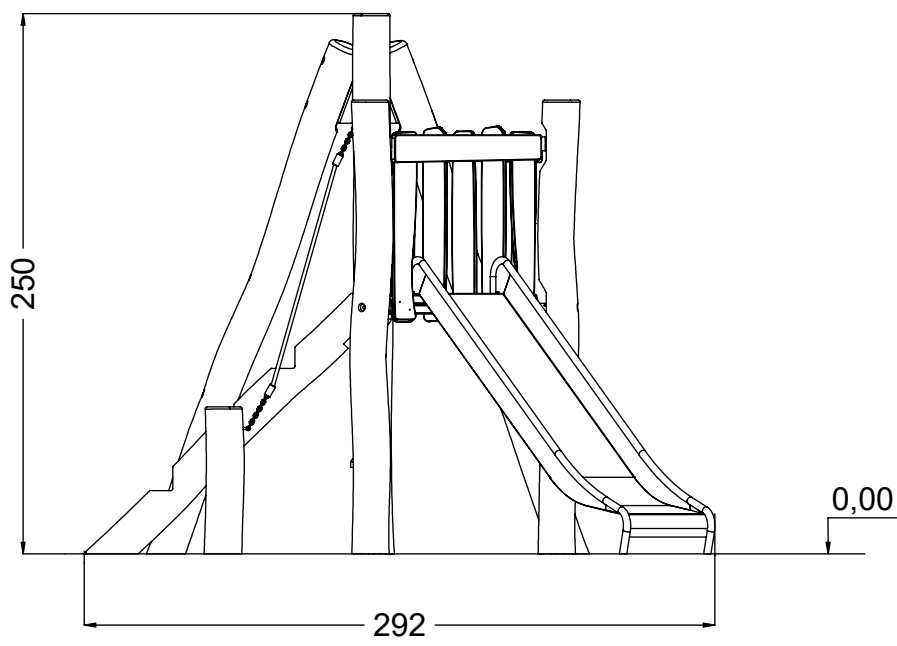
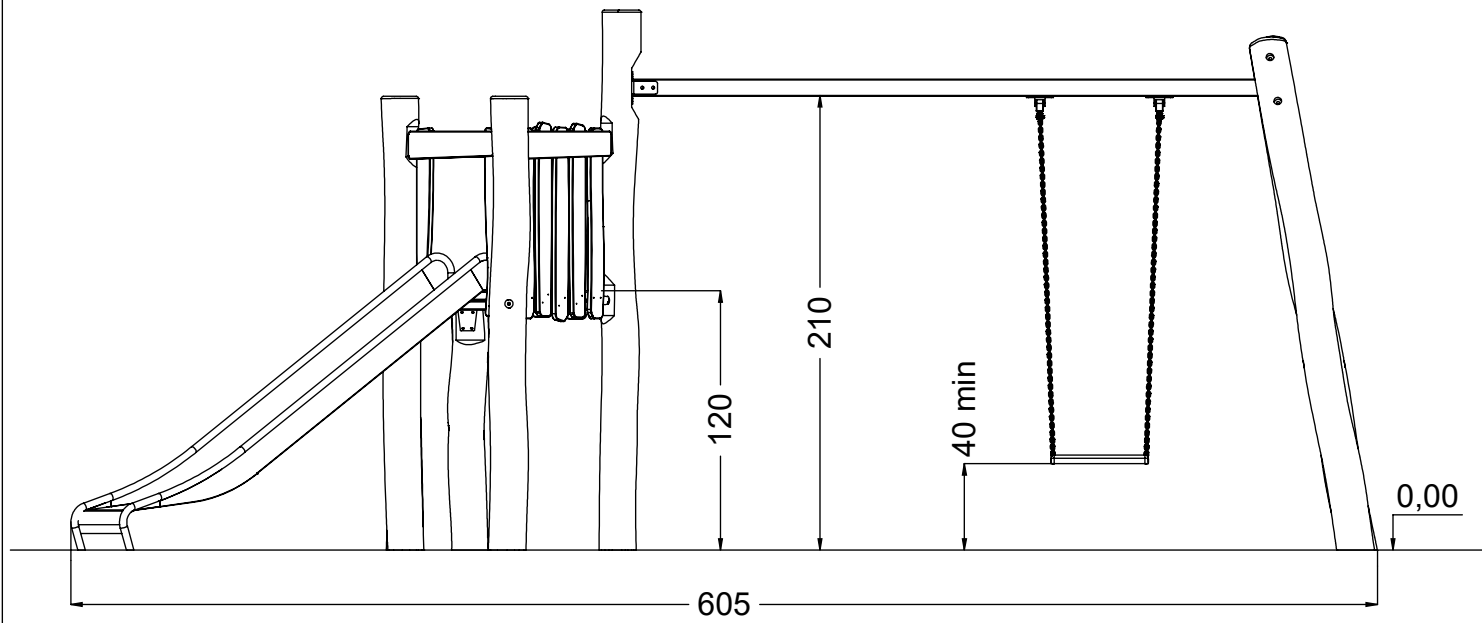


vinci
play



[cm]

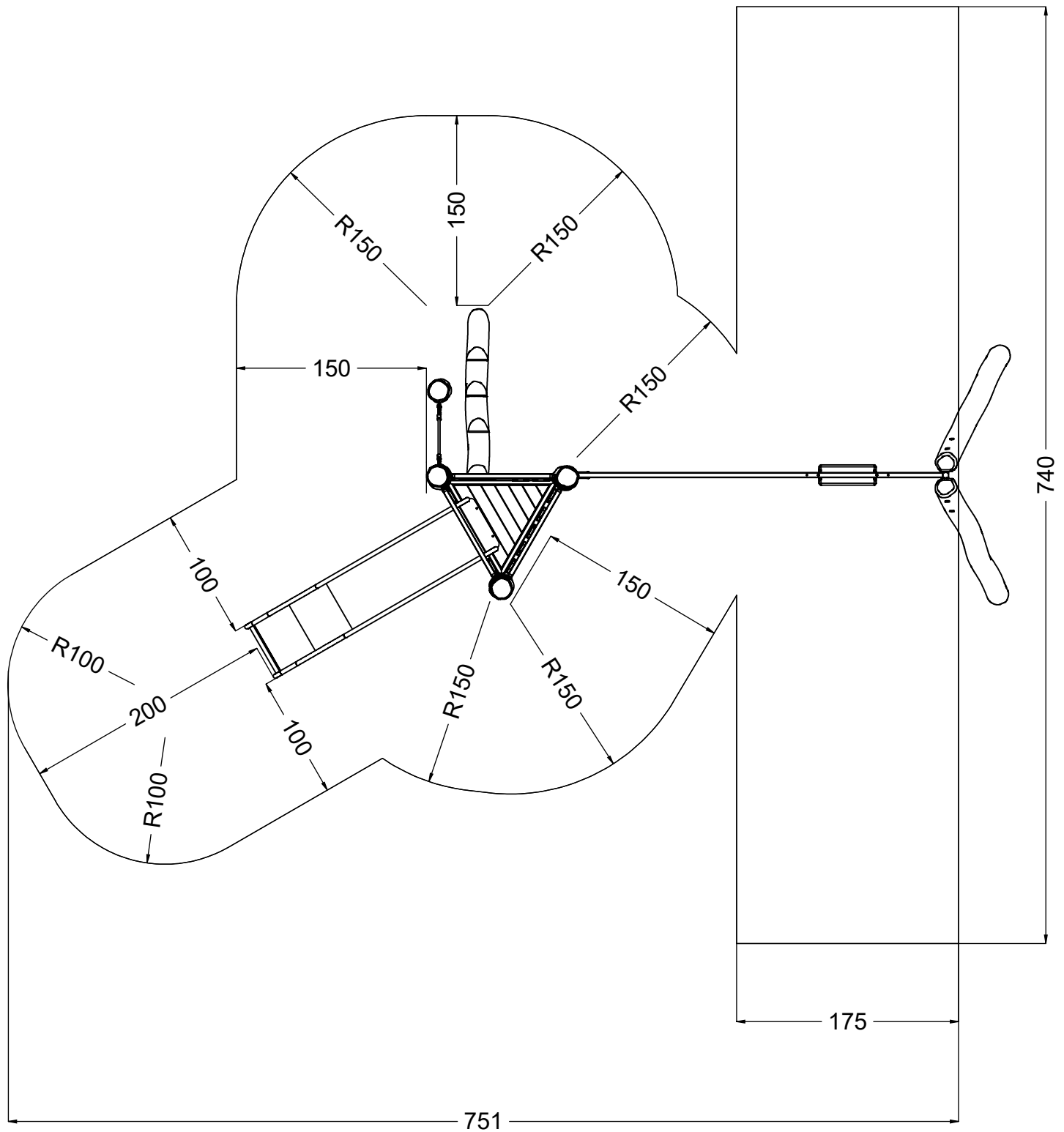
vinci
play



[cm]



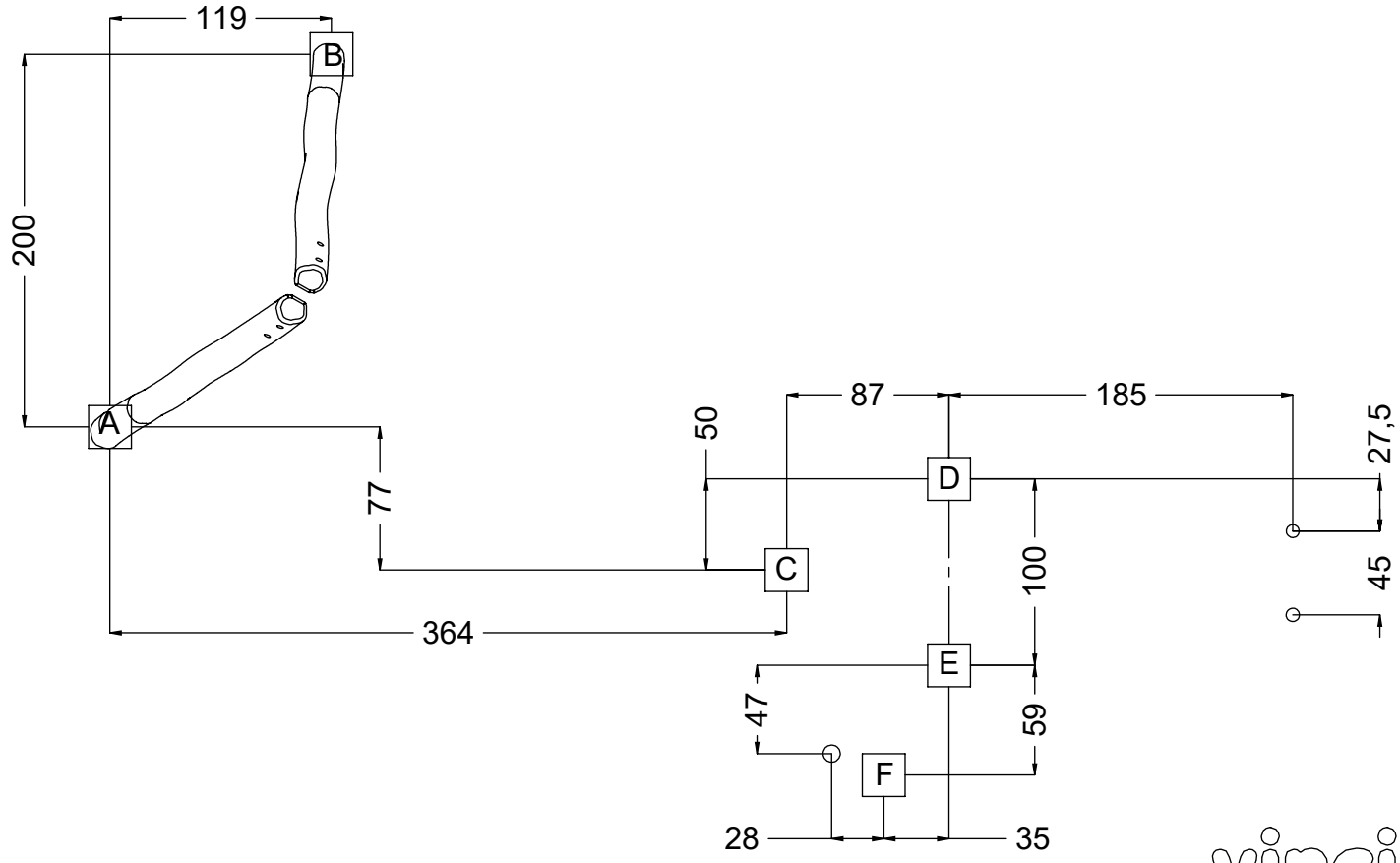
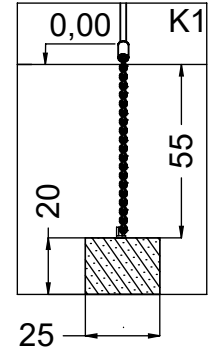
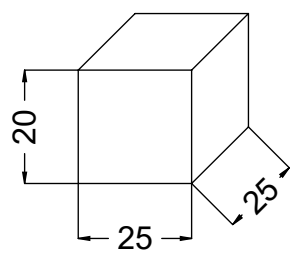
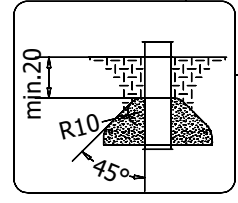
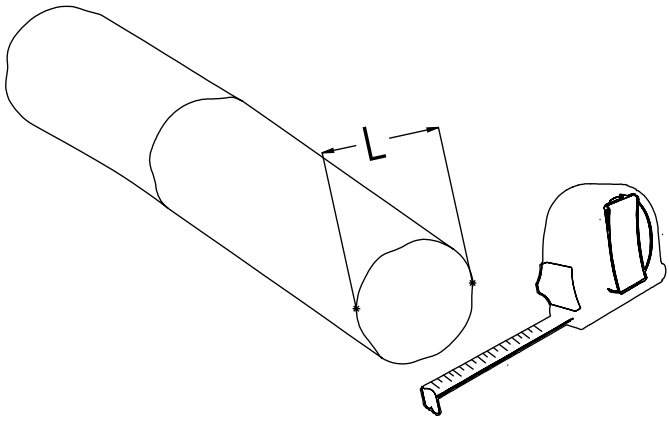
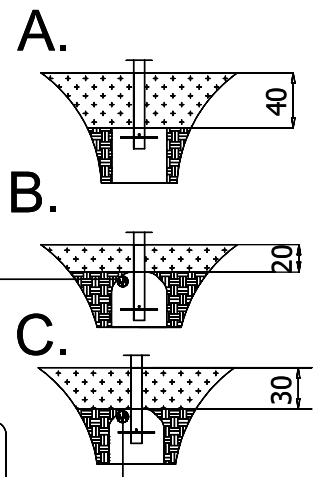
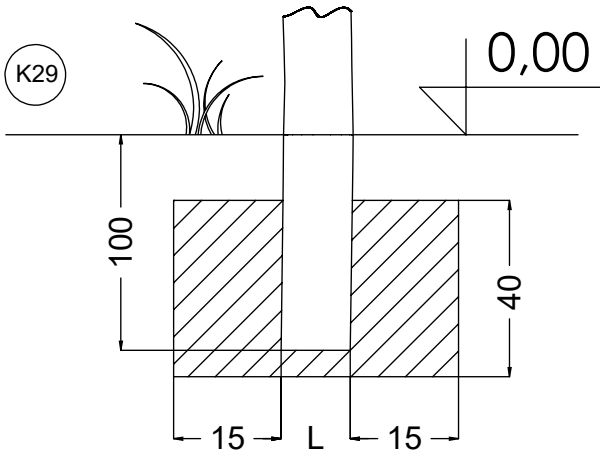
vinci
play



[cm]



vinci
play



[cm]



vinci
play



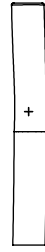
127116 (A,B)
x2



127502 (C)
x1



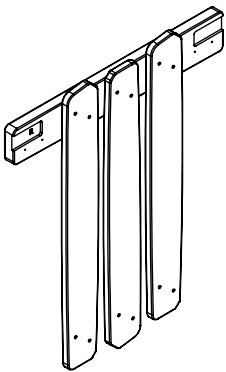
127503 (D,E)
x2



127504 (F)
x1



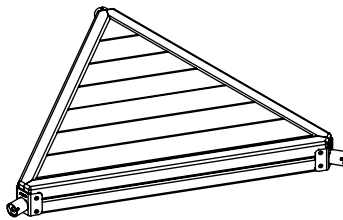
127505
x1



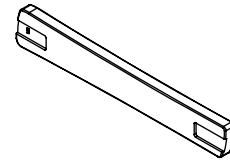
124104
x1



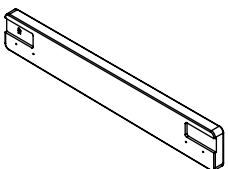
128181
x4



124108
x1



128168
x1



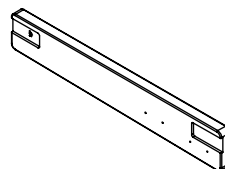
128107
x1



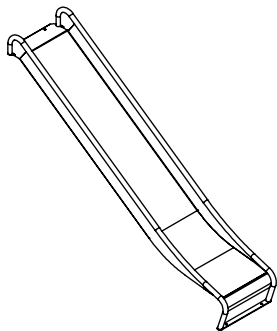
128103
x1



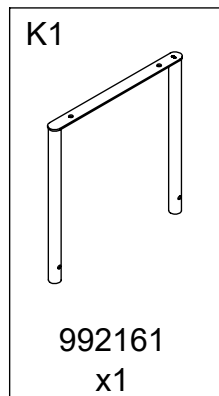
128178
x1



128197
x1



994171
x1

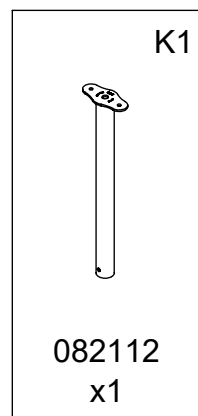


K1

992161
x1

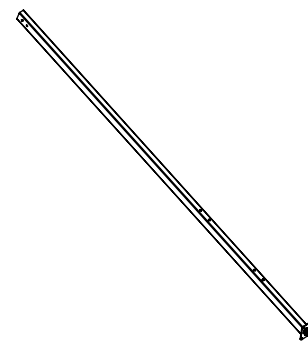


125131
x1

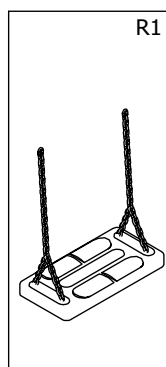


K1

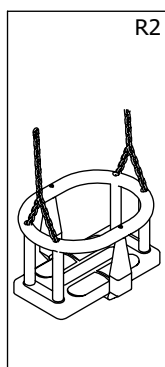
082112
x1



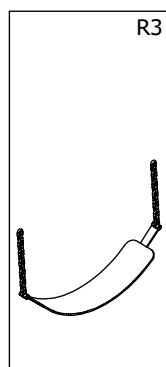
142140
x1



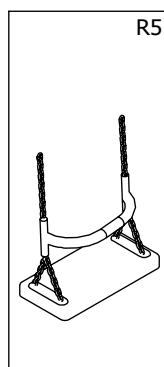
R1



R2



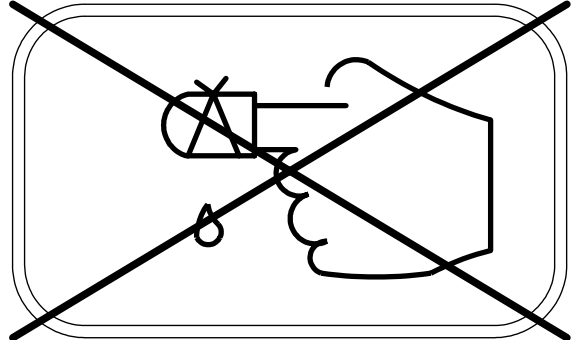
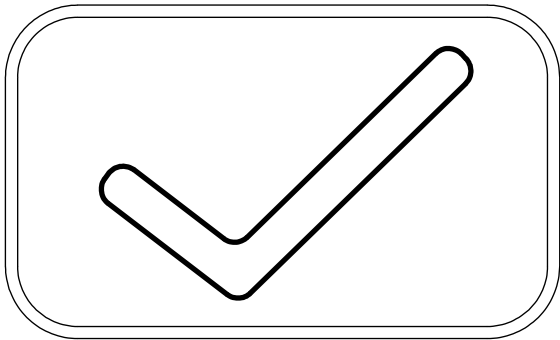
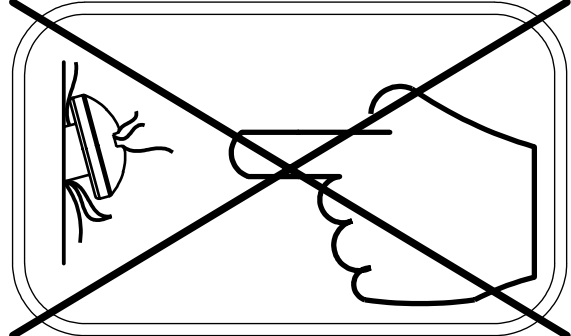
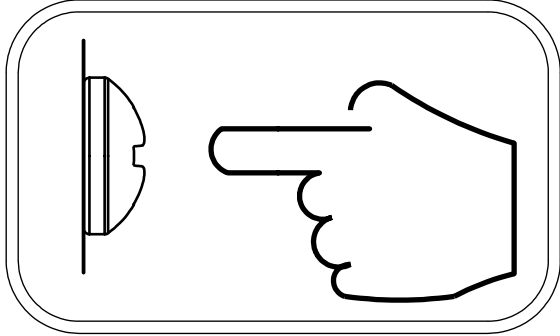
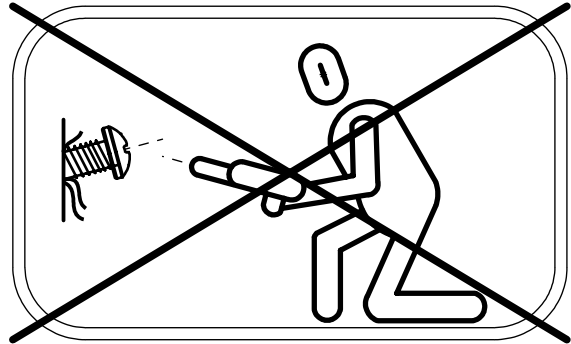
R3

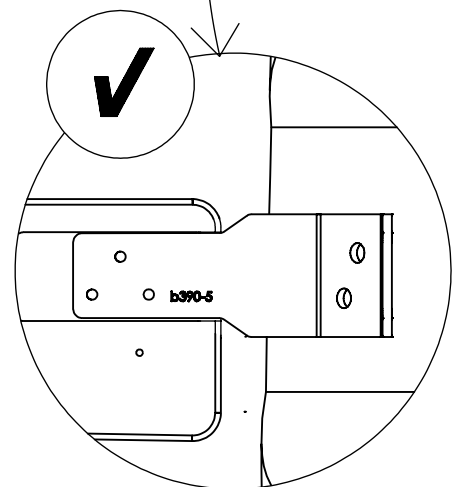
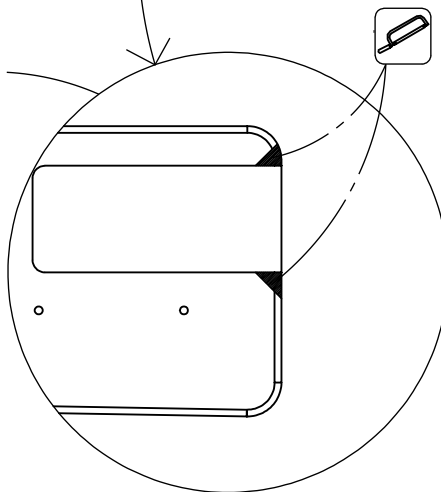
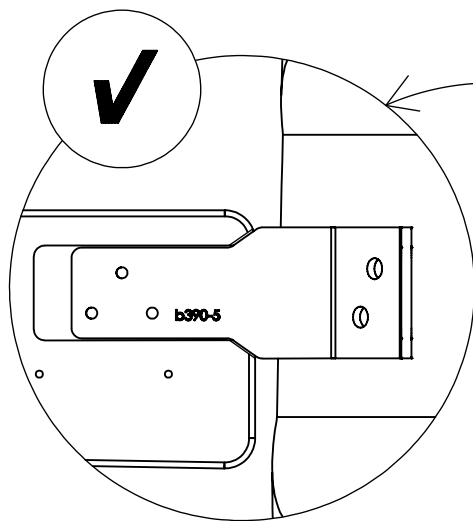
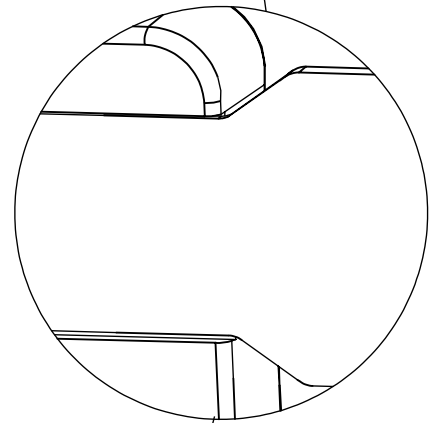
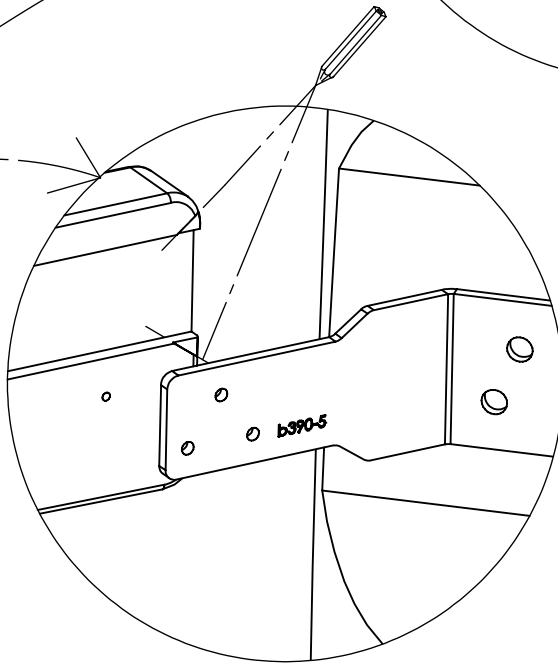
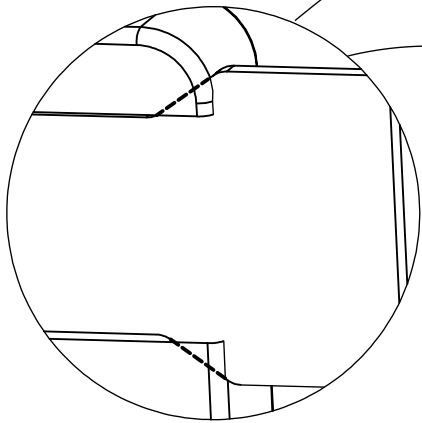
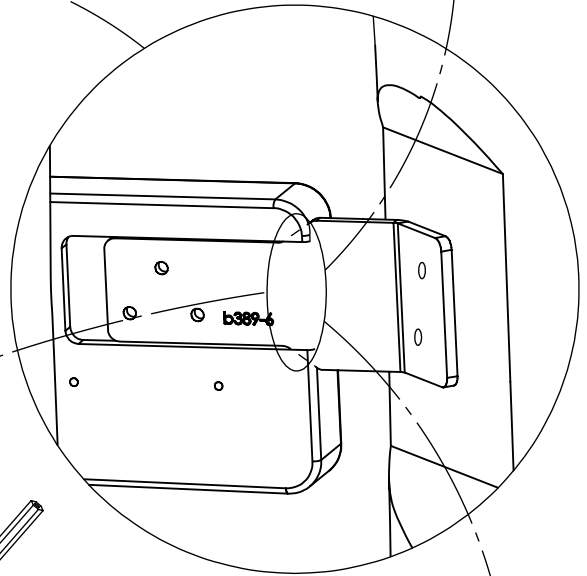
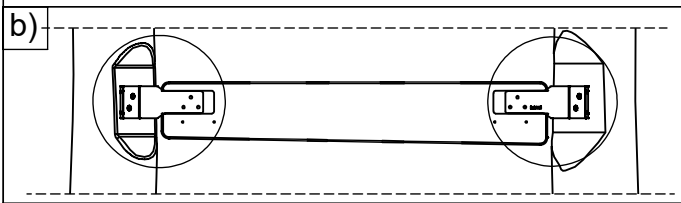
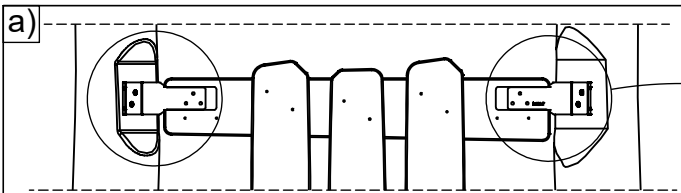


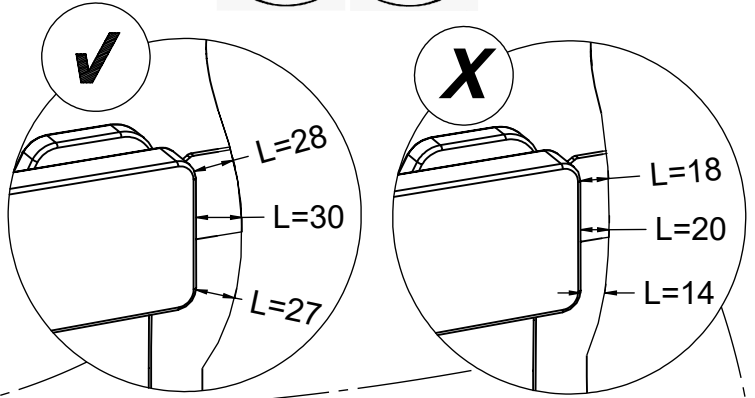
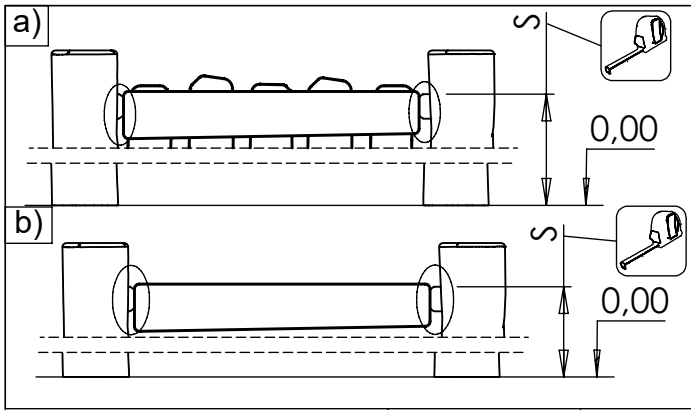
R5

1x	12e003
1x	12e007
1x	12e017
1x	12e019
1x	12e030
1x	12e090
1x	b403
3x	b405
1x	b529
1x	E62
1x	E220
1x	E164 R1,R5
1x	E165 R2
1x	E168 R3
1x	V001

18x	5x30sxs
30x	5x50sxs
2x	7x35sxi
19x	8x50sxi



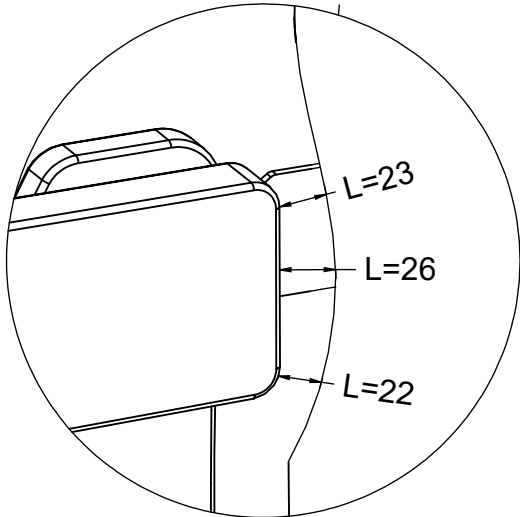




S<97

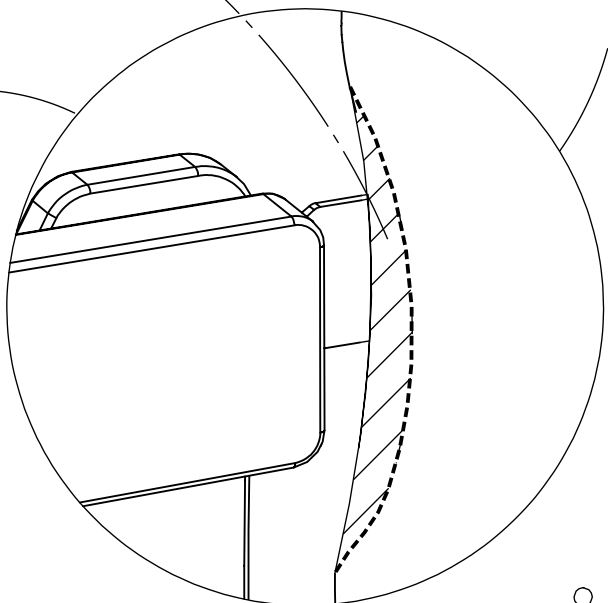
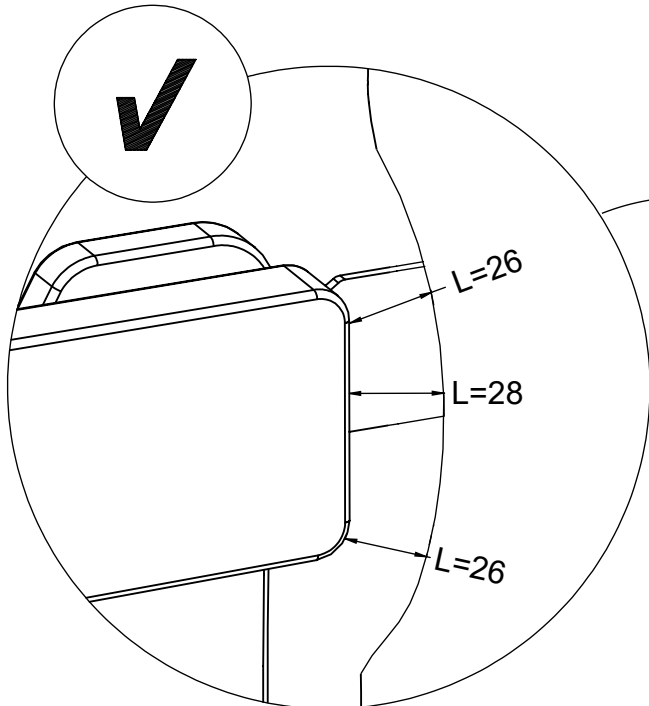
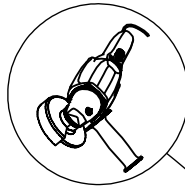
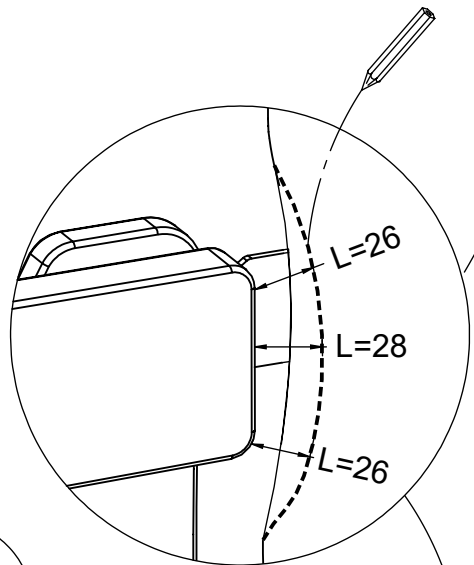
S>97


L>25mm **✓** L<30mm **X**



L>25mm **✓**

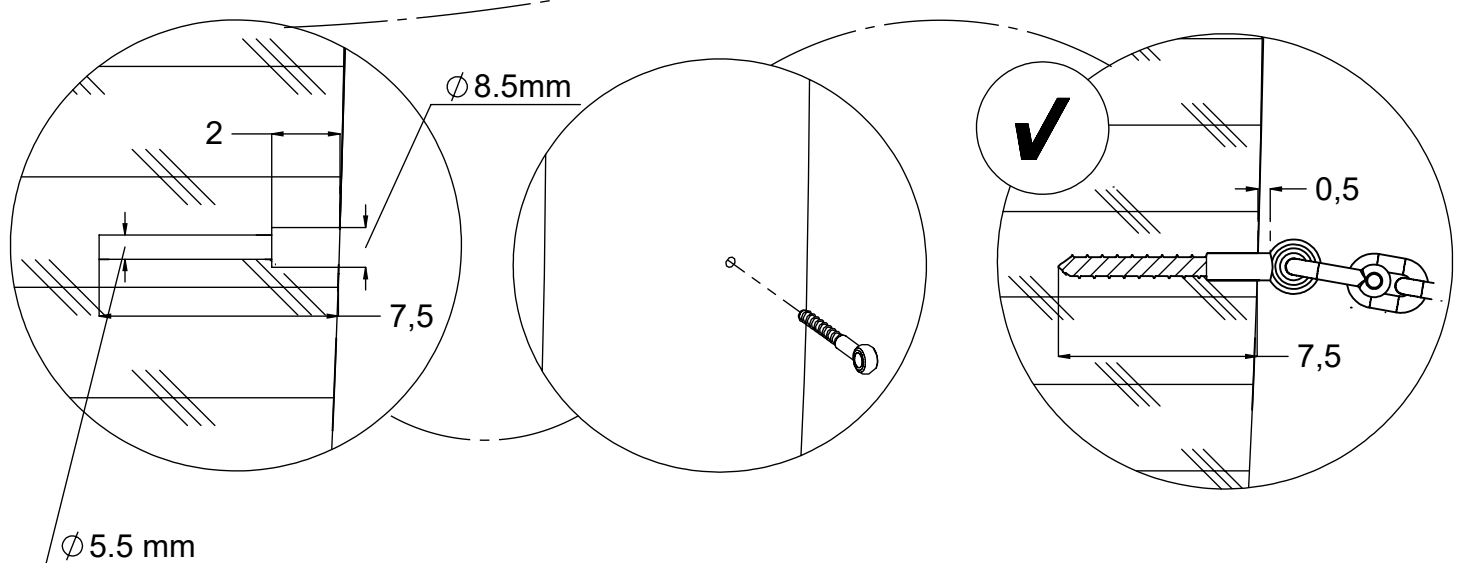
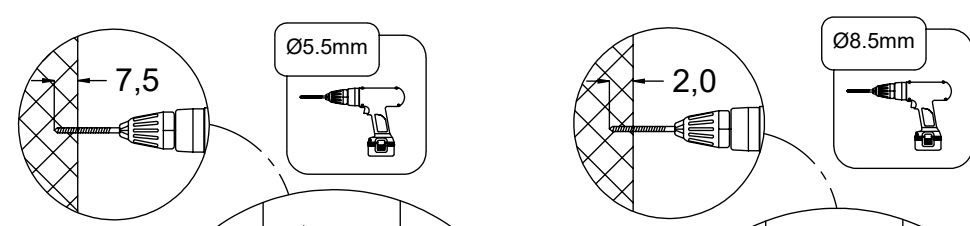
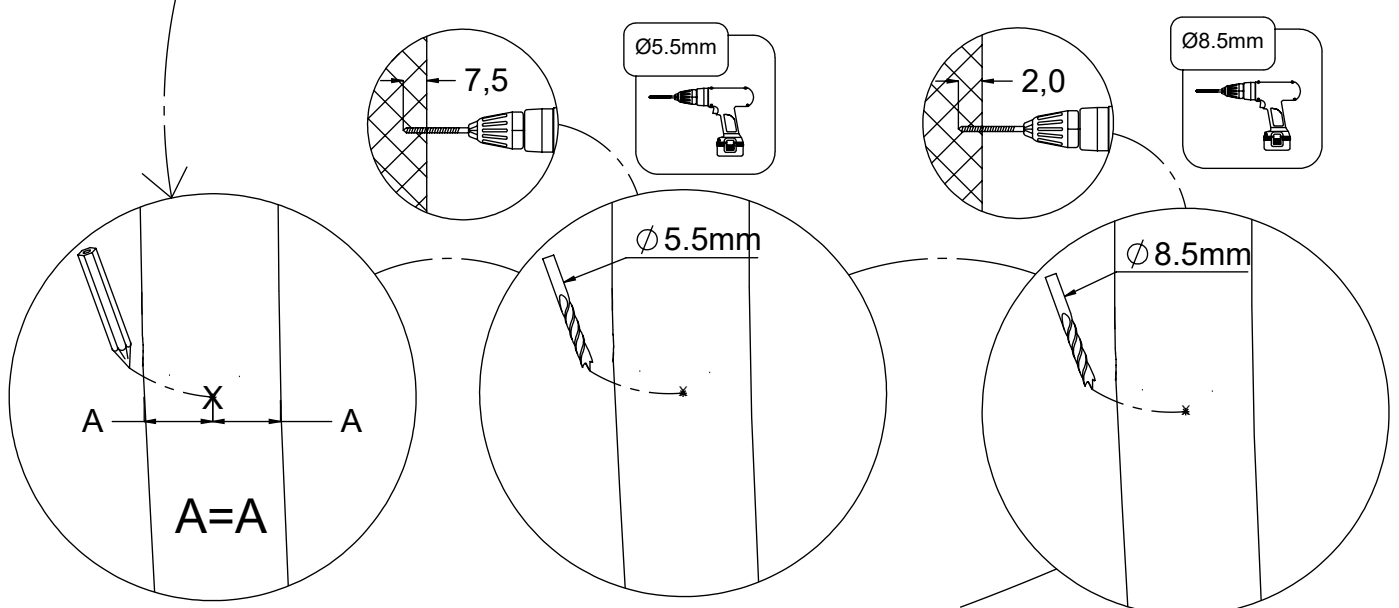
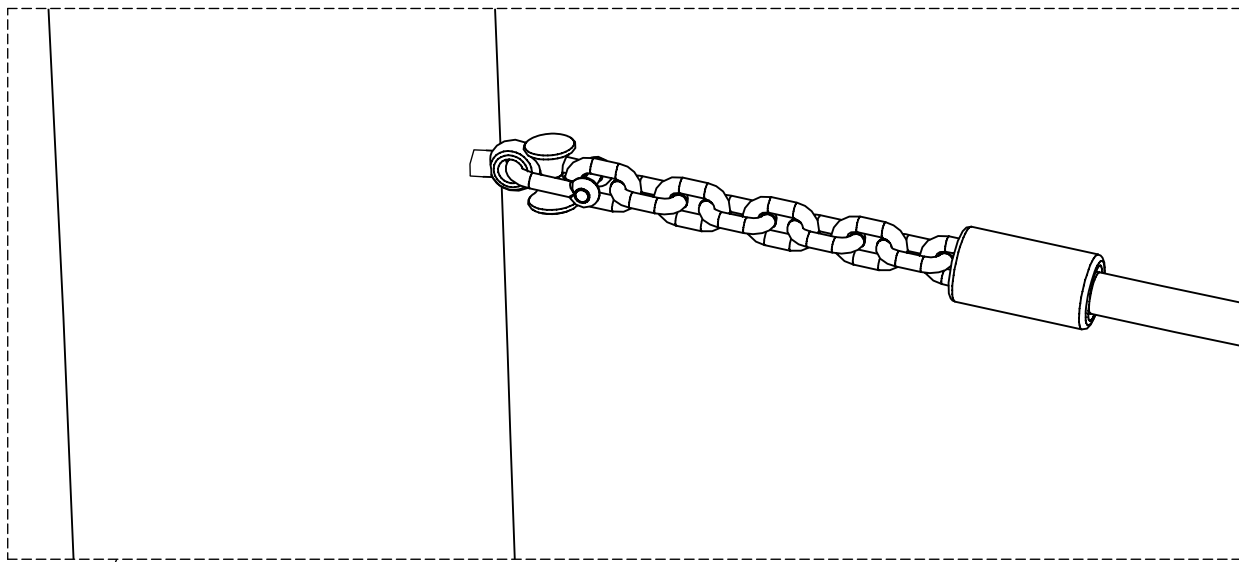
L≤25mm **✓**



L>30mm **✓** 

[cm]

vinci
play



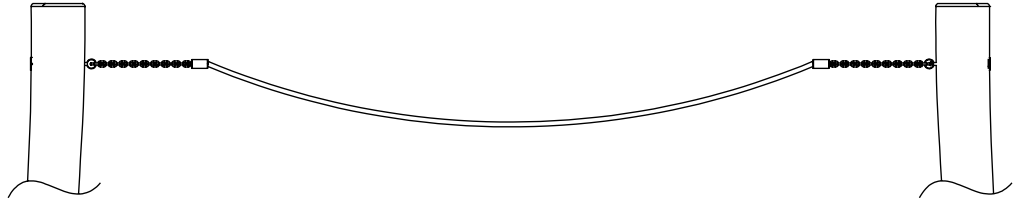
[cm]

vinci play

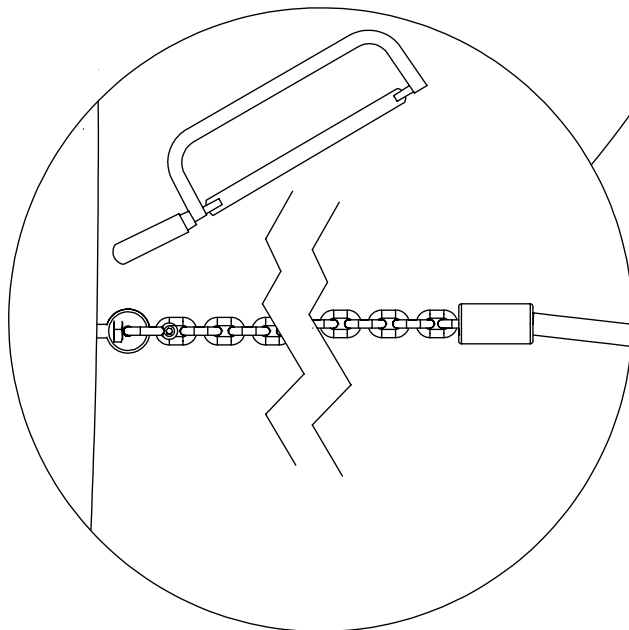
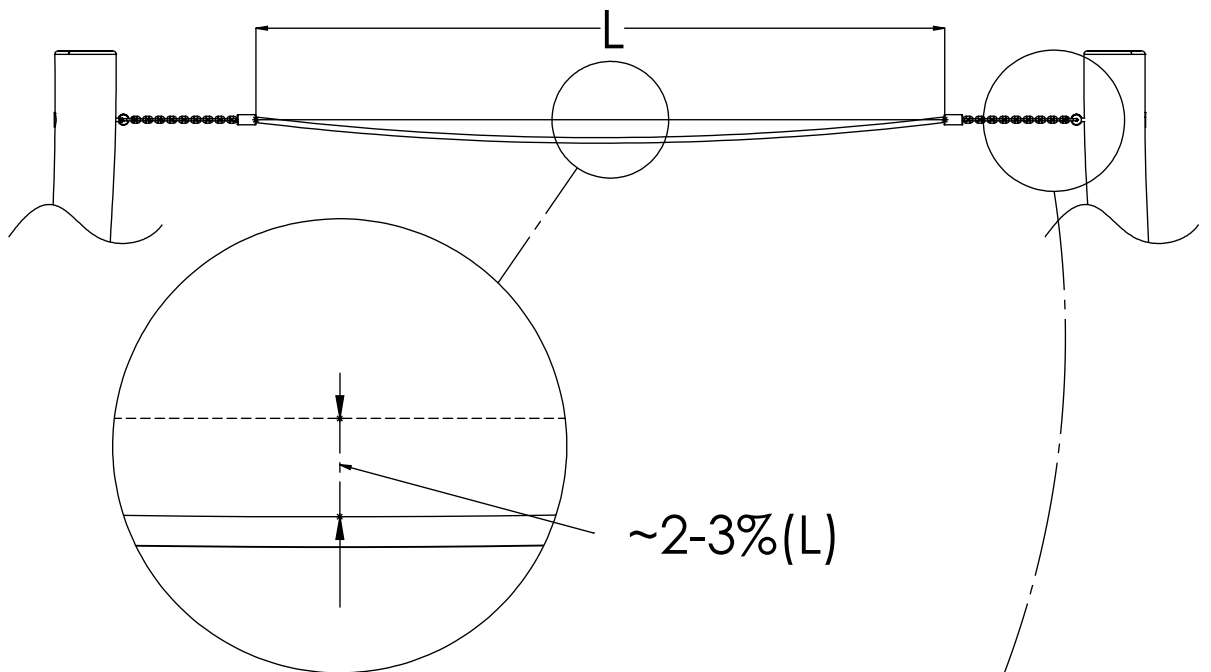
X

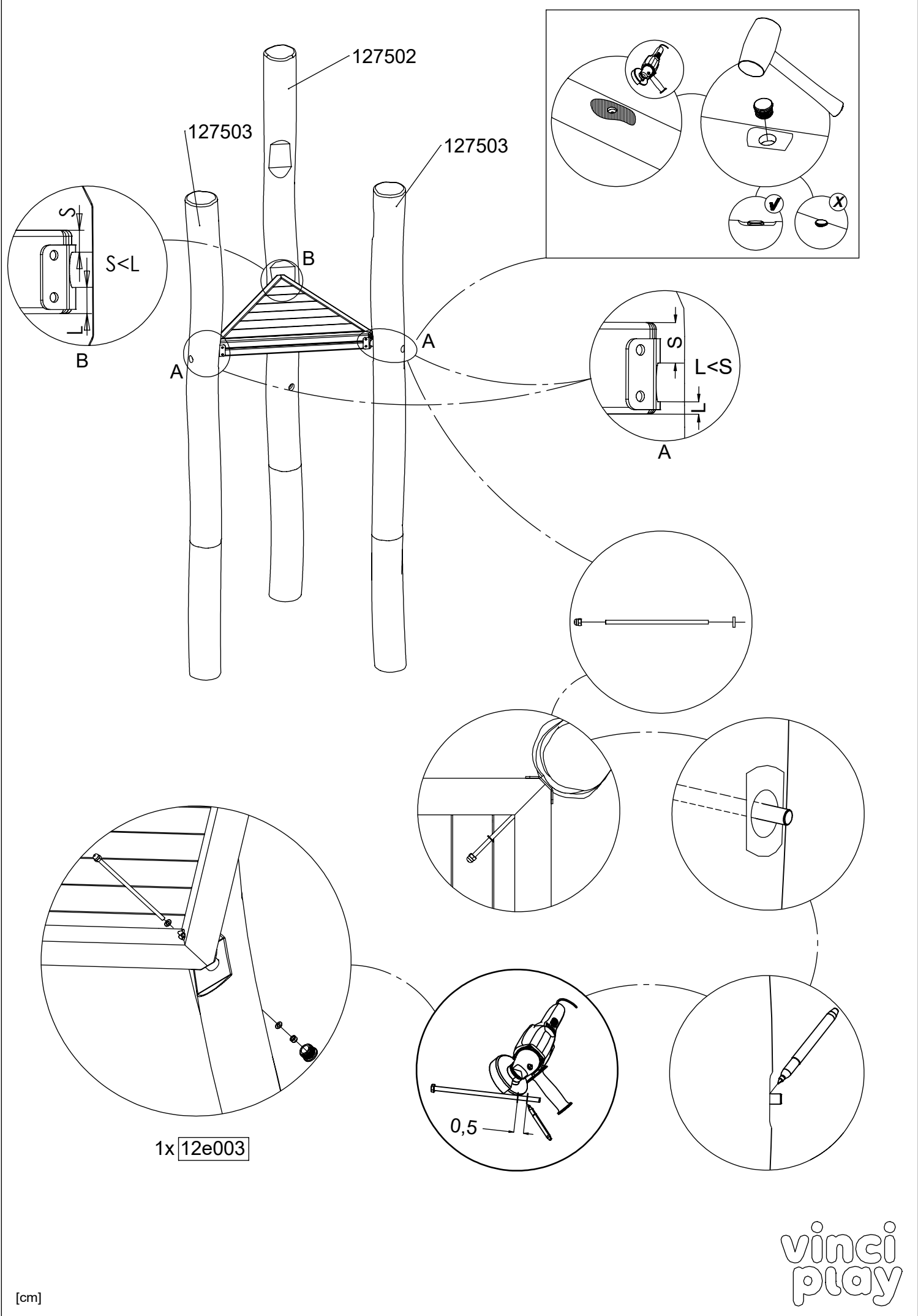


X



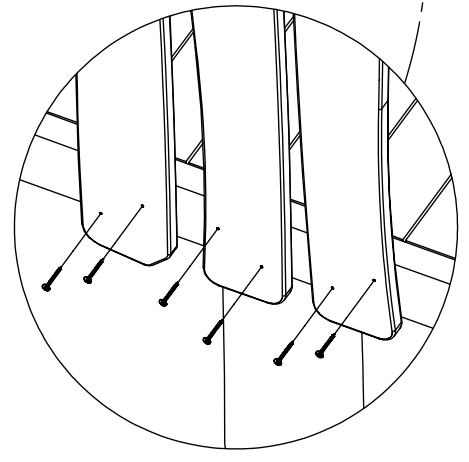
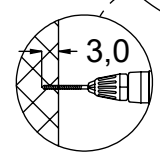
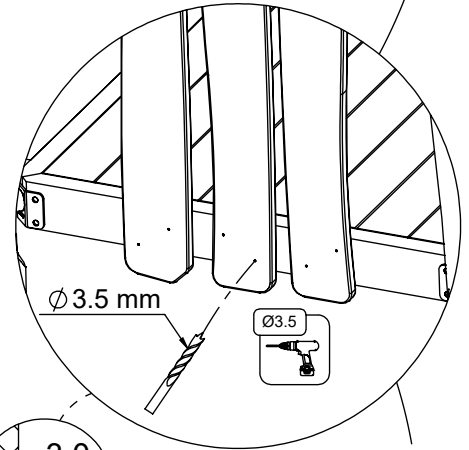
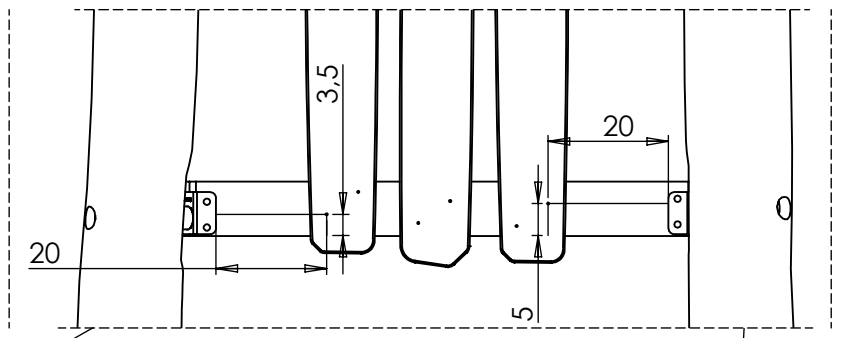
V





127503

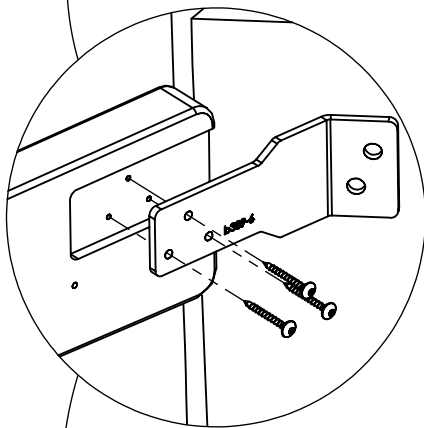
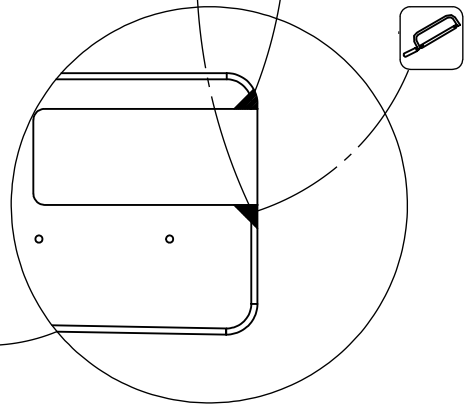
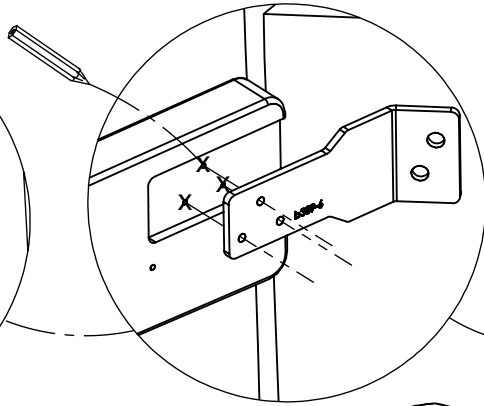
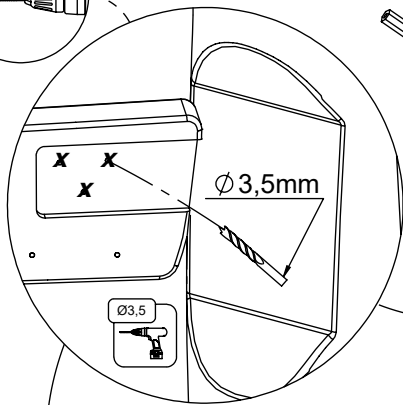
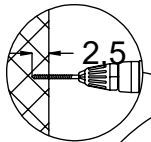
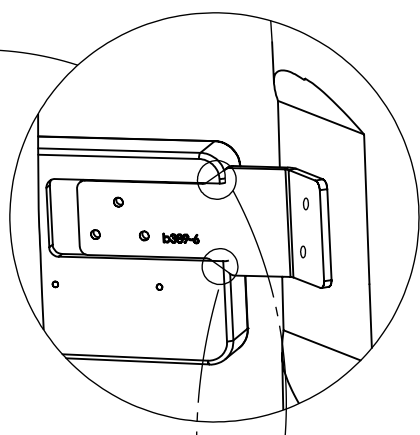
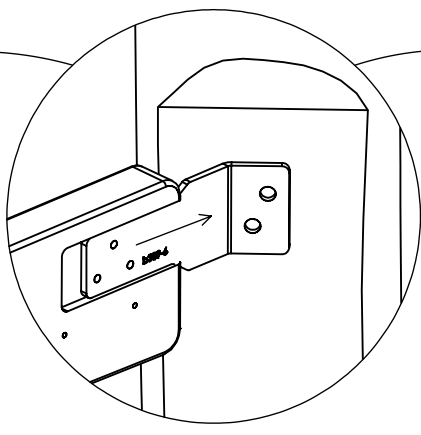
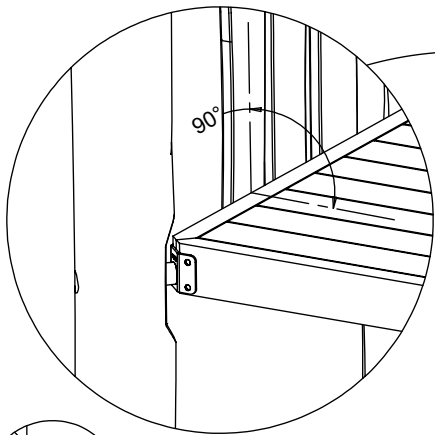
127502



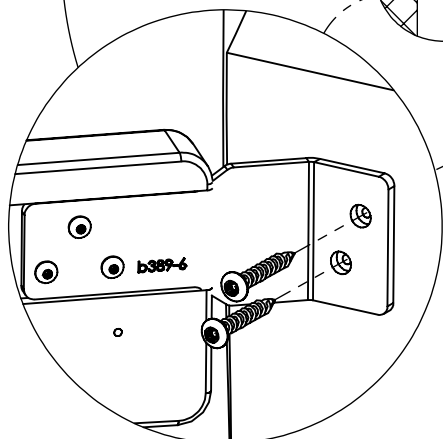
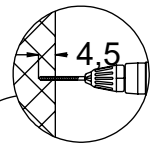
6x 5x50sxs

[cm]

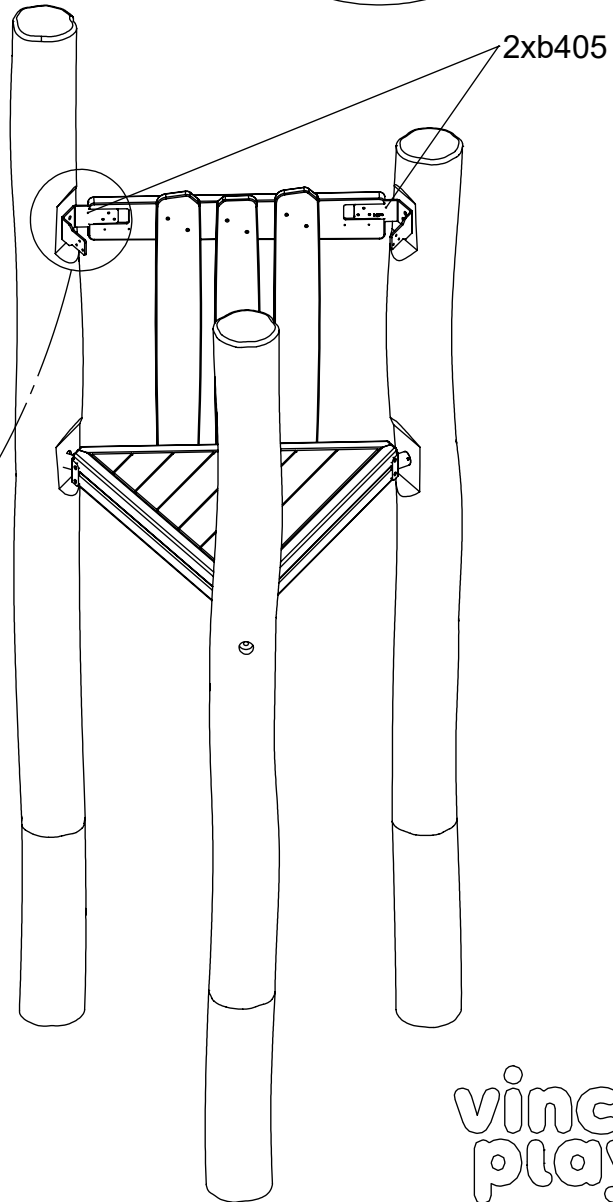
vinci
play



6x 5x30sxs



4x 8x50sxi



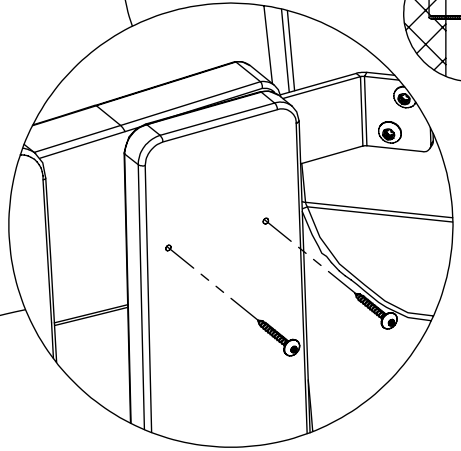
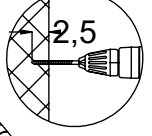
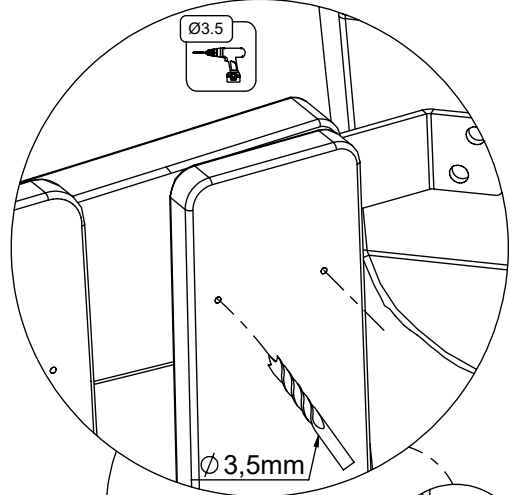
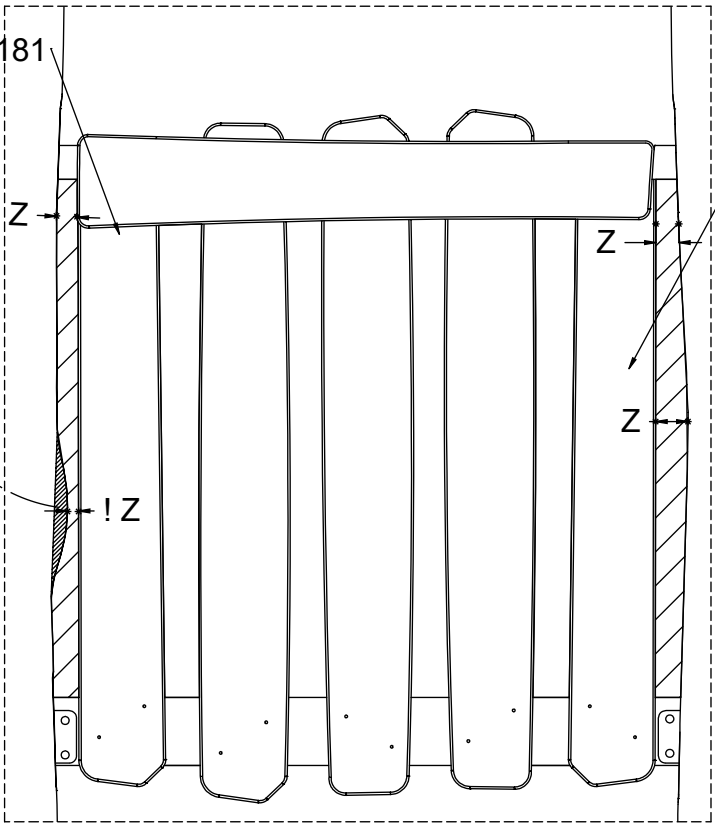
2x405

[cm]

vinci play

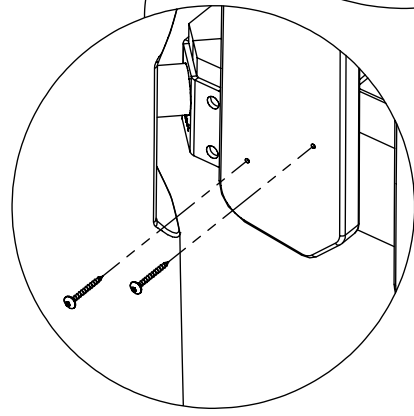
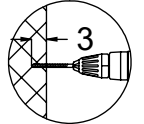
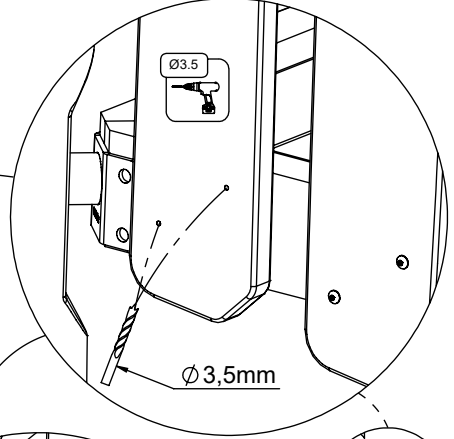
1x 128181

1x 128181

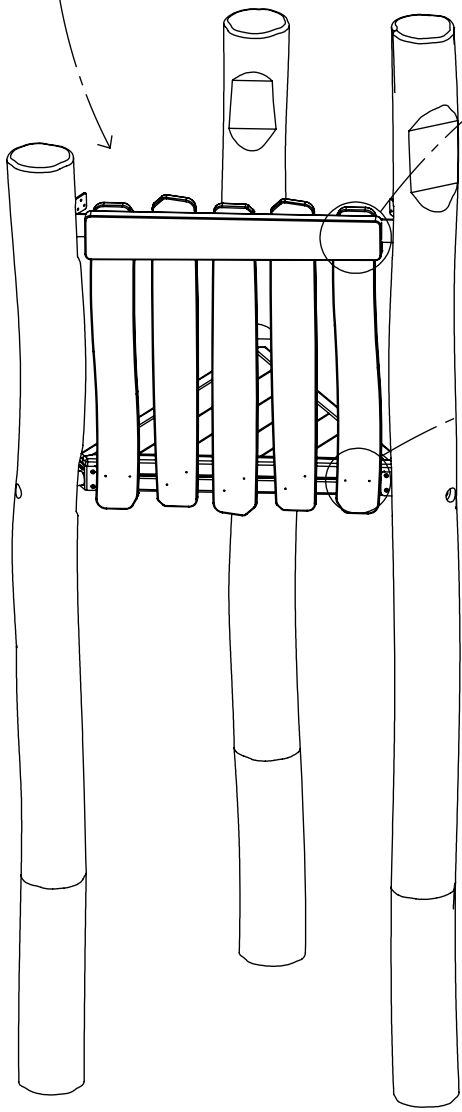


! 30mm < Z < 85mm

4x 5x50sxs

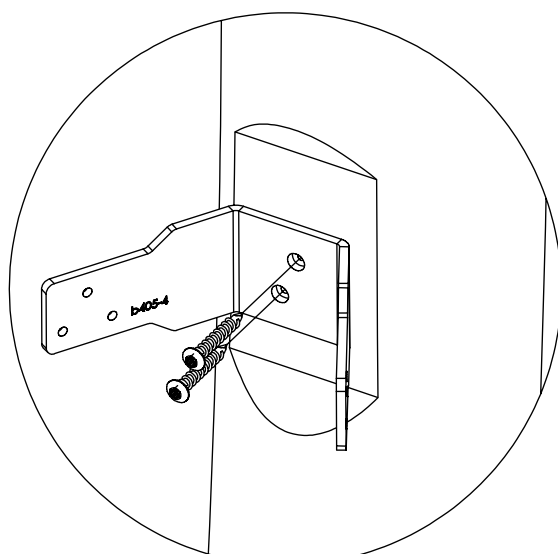
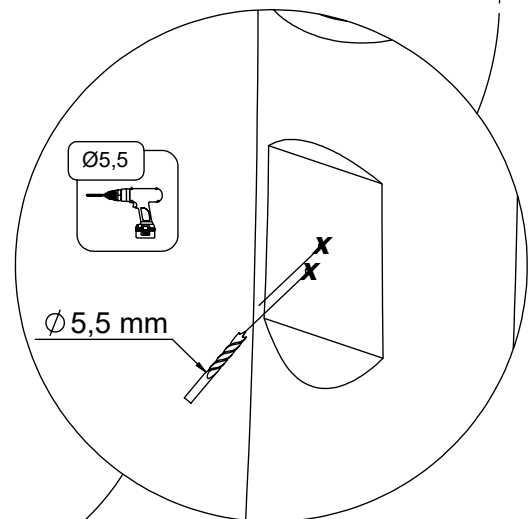
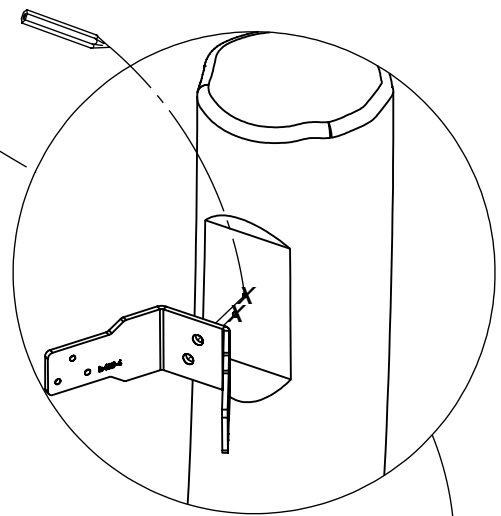
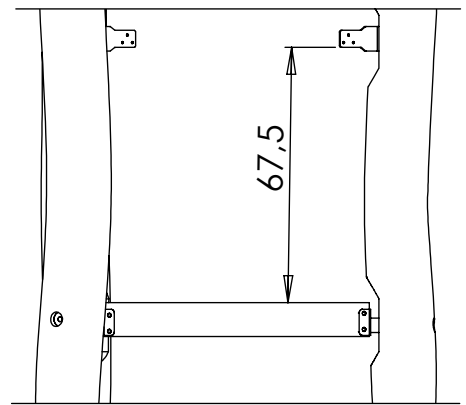
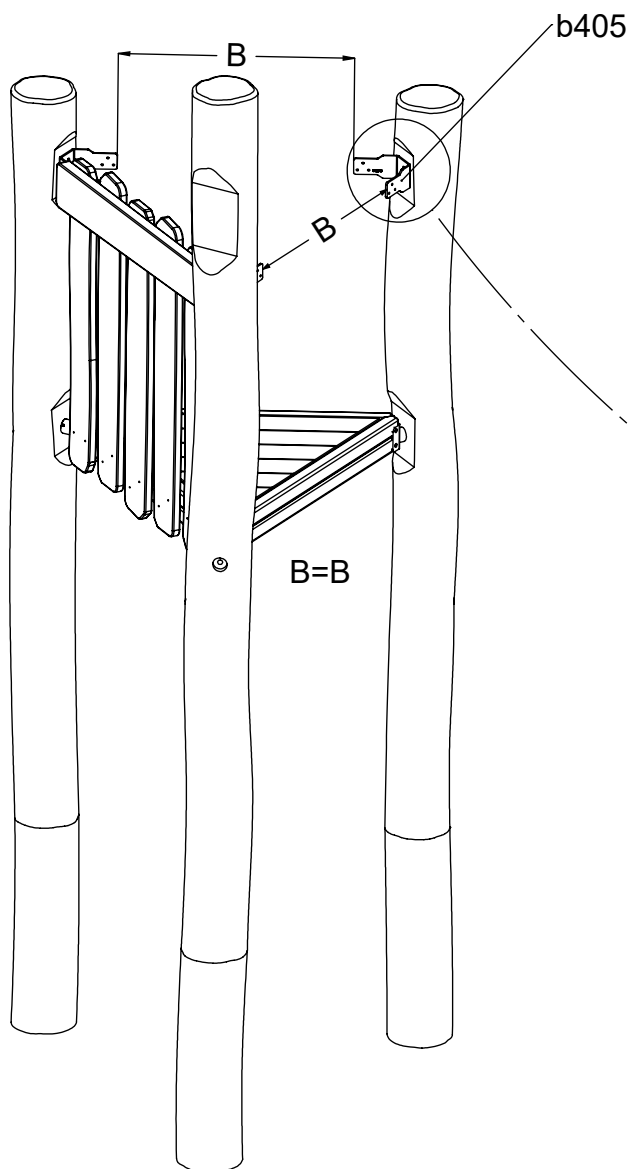


4x 5x50sxs



[cm]

vinci play

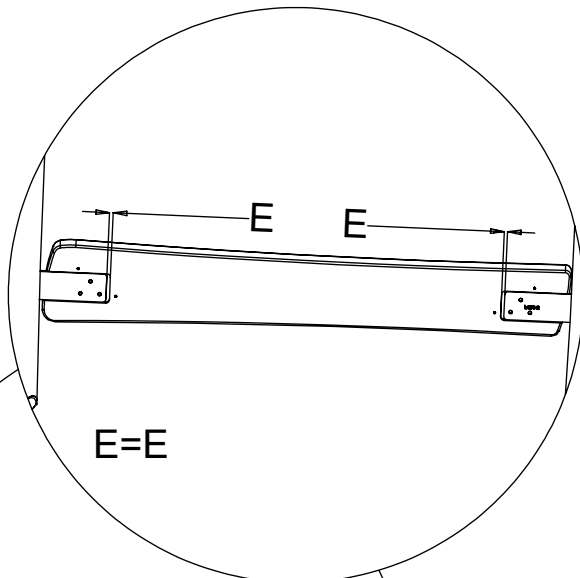
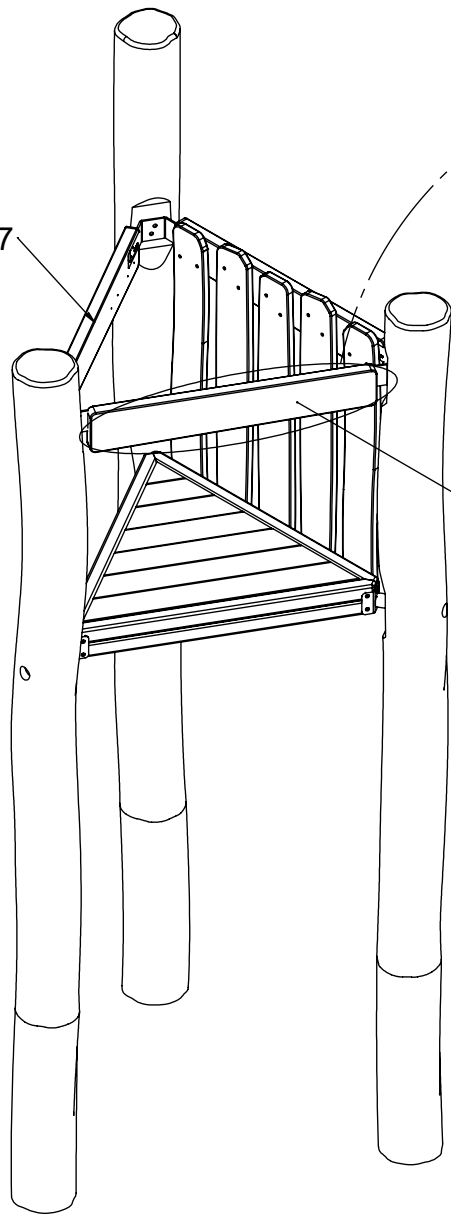


2x 8x50sxi

[cm]

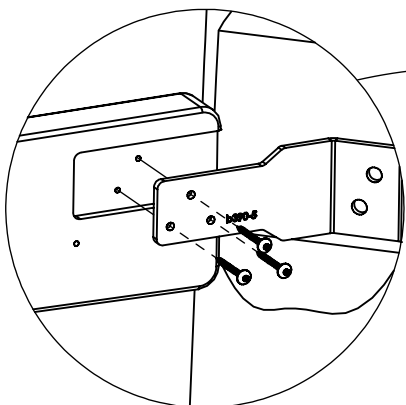
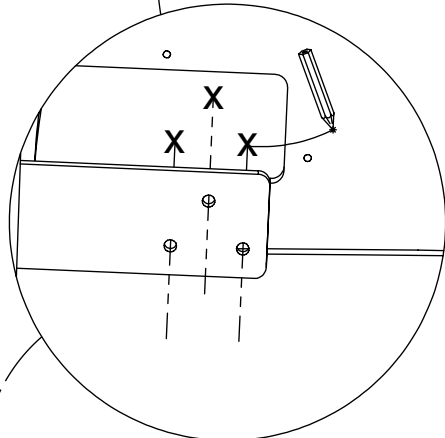
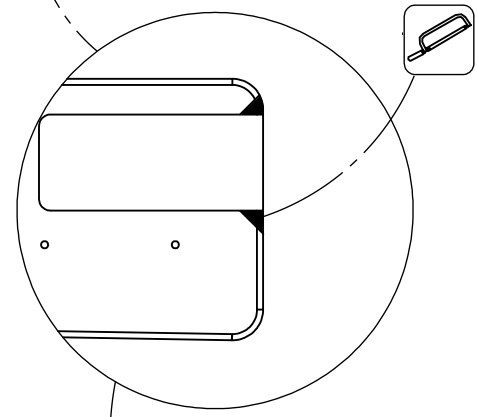
vinci
play

128197

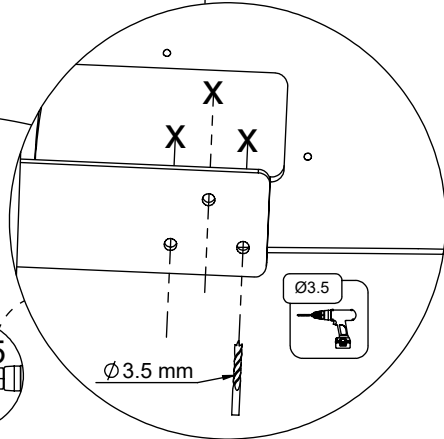
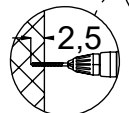


E=E

128107



12x 5x30sxs

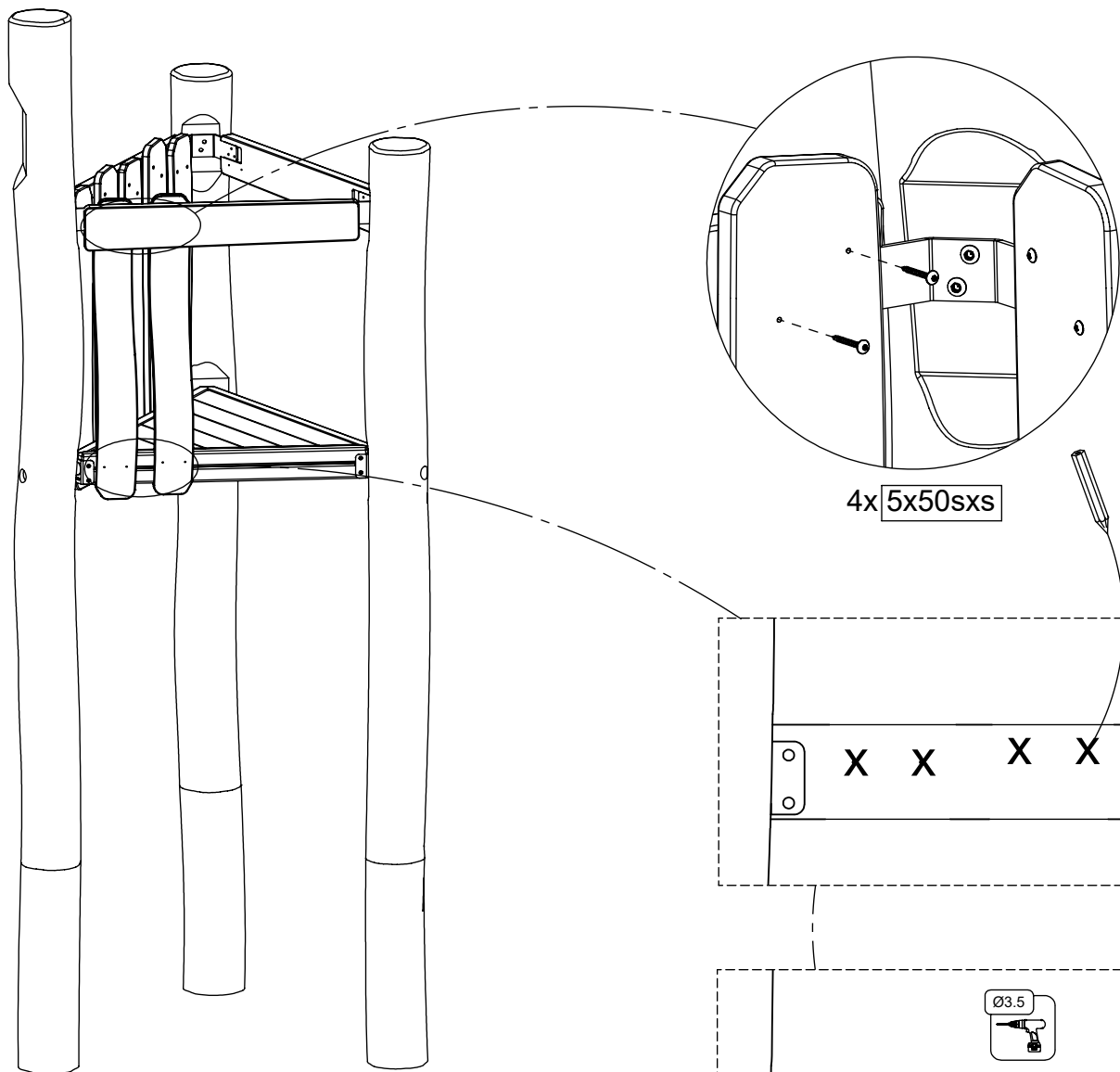


Ø 3.5

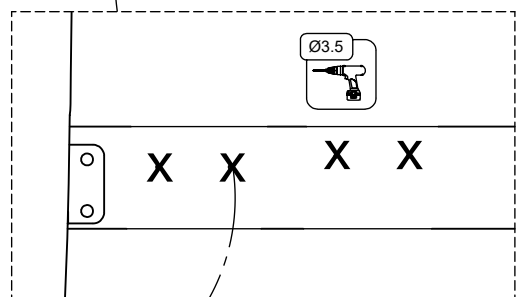
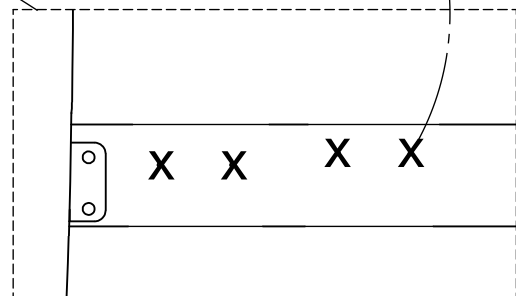
Ø 3.5 mm

[cm]

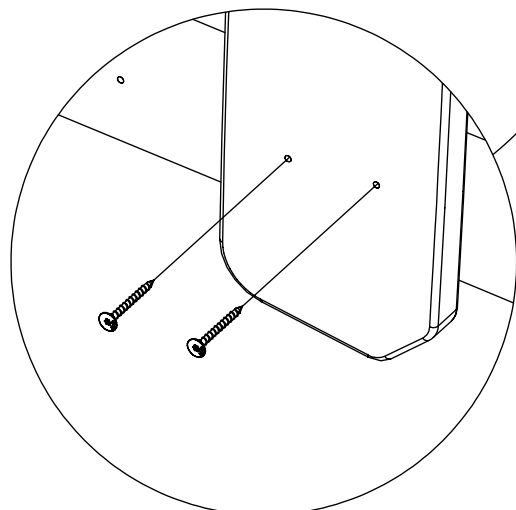
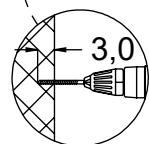
vinci
play



4x 5x50sxs



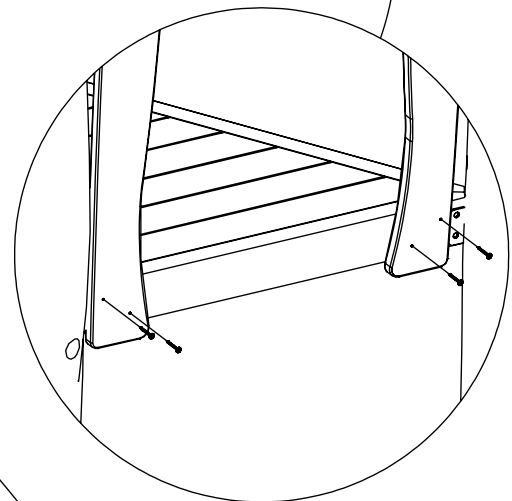
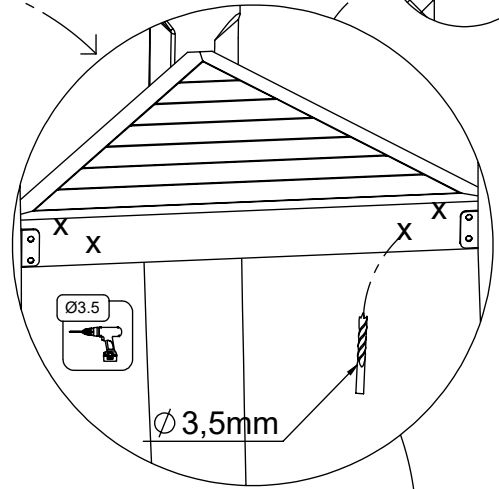
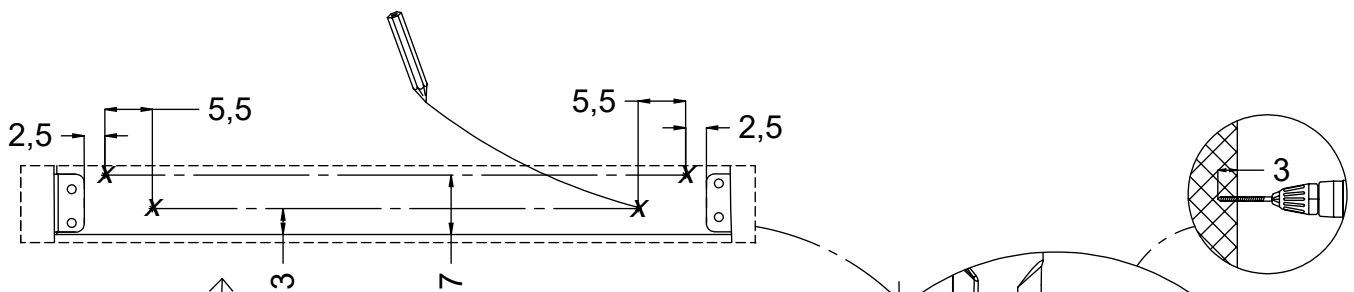
Ø 3,5mm



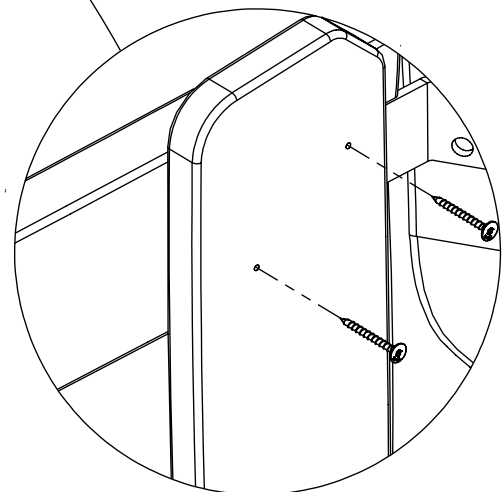
4x 5x50sxs

[cm]

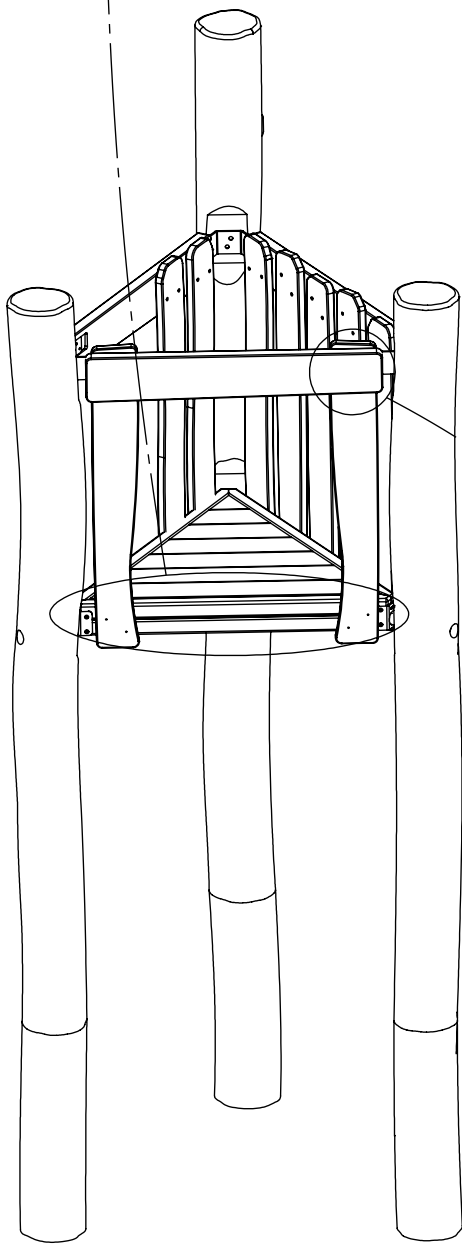
vinci
play

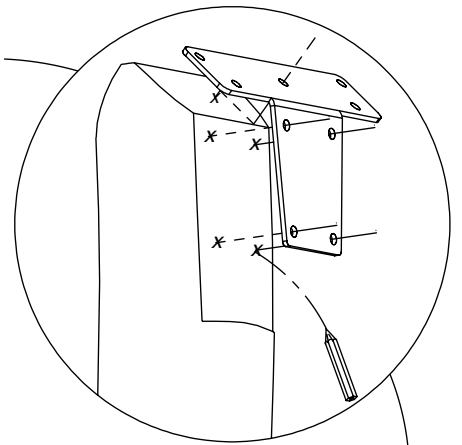
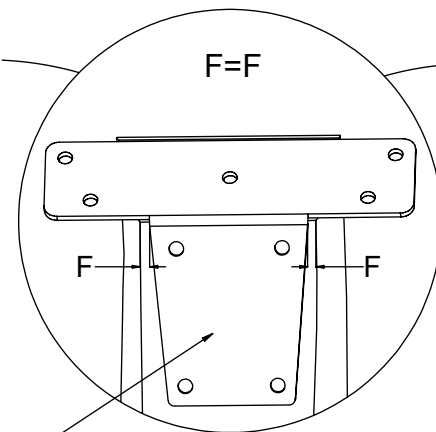
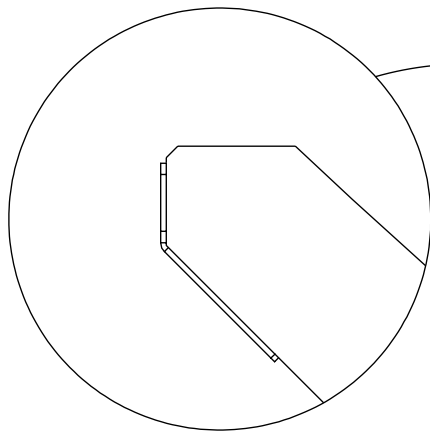


4x 5x50sxs

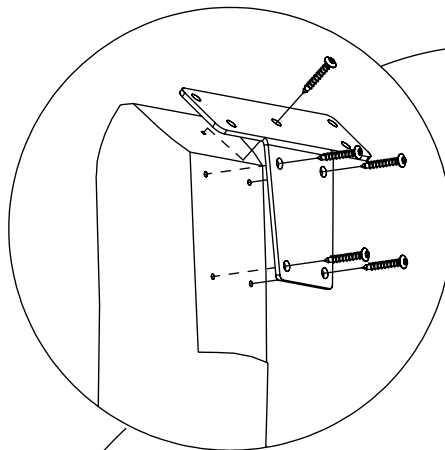


4x 5x50sxs

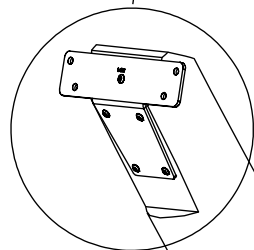
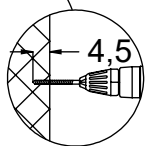
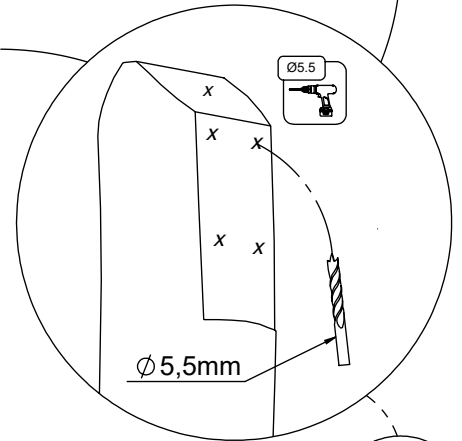




1x b403



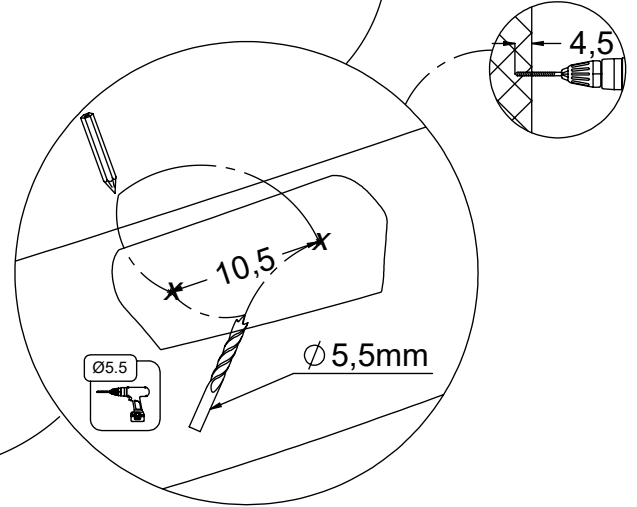
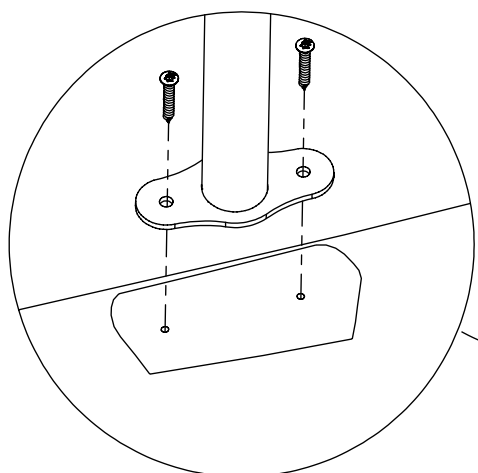
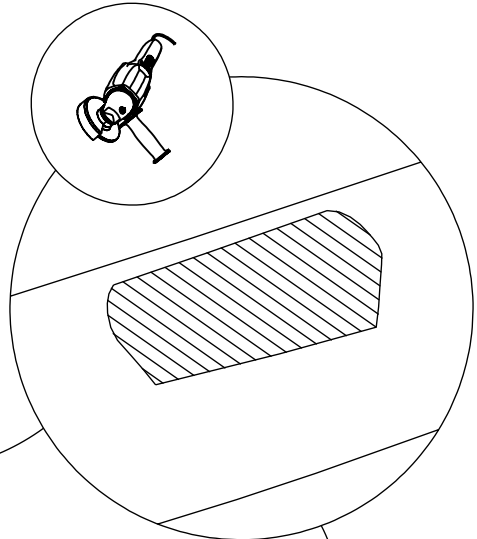
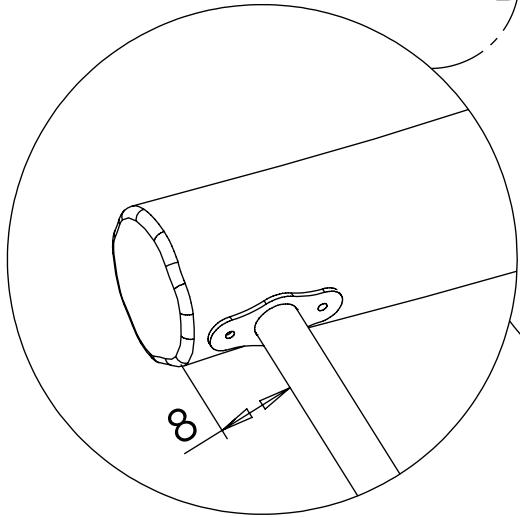
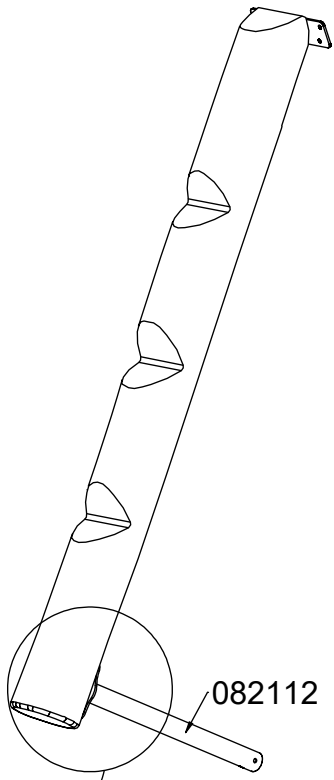
5x 8x50sxi



127505

[cm]

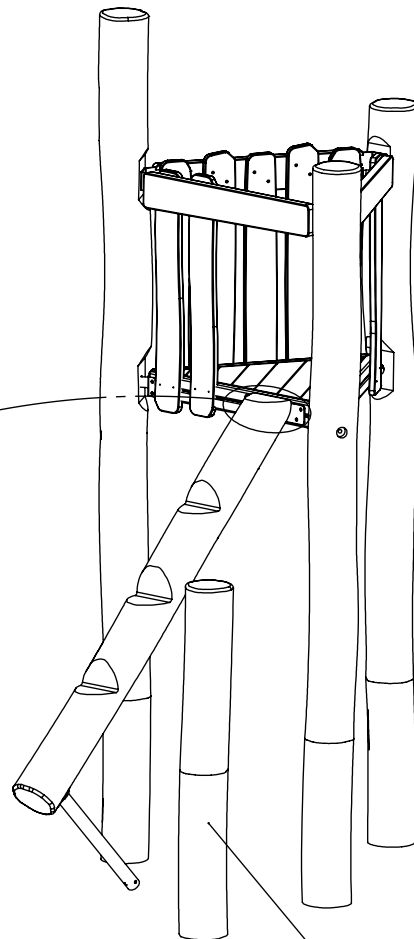
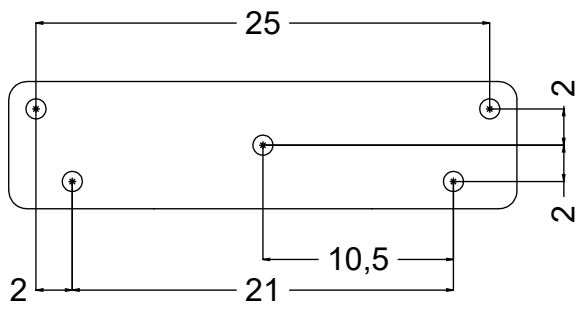
vinci
play



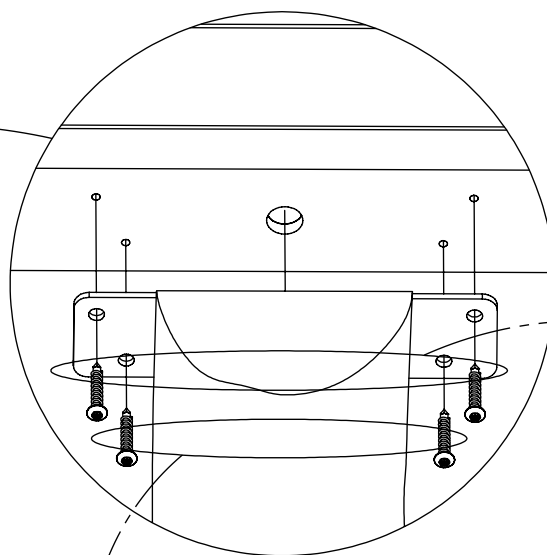
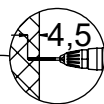
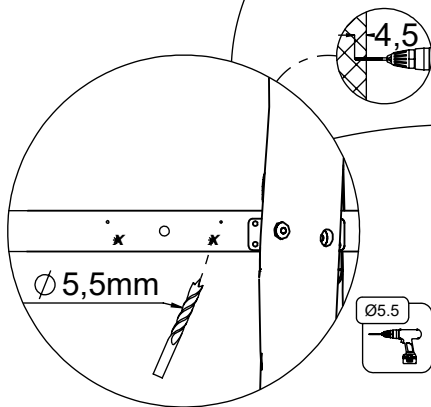
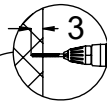
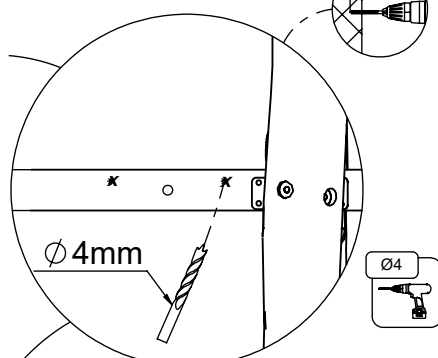
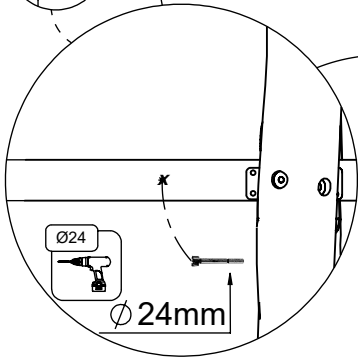
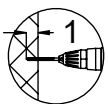
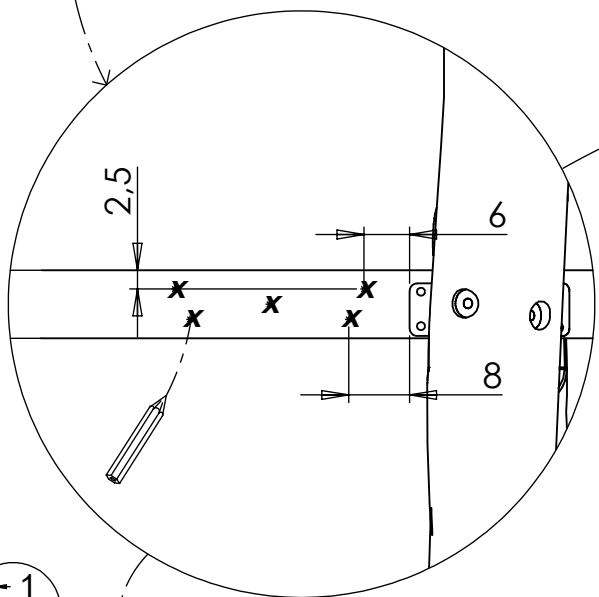
2x 8x50sxi

[cm]

vinci
play



127504

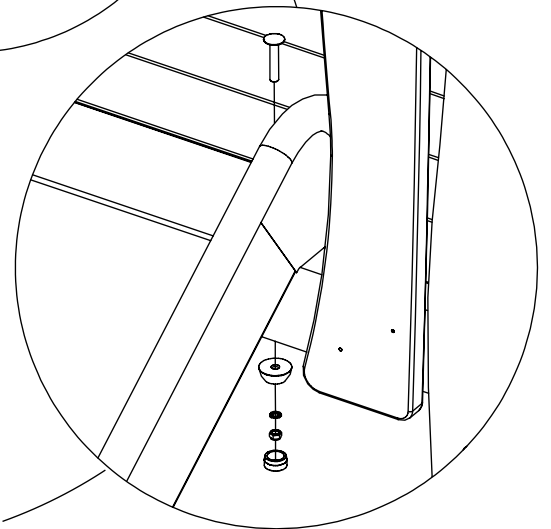
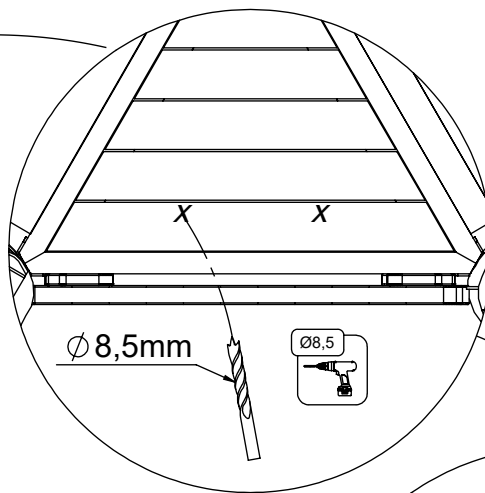
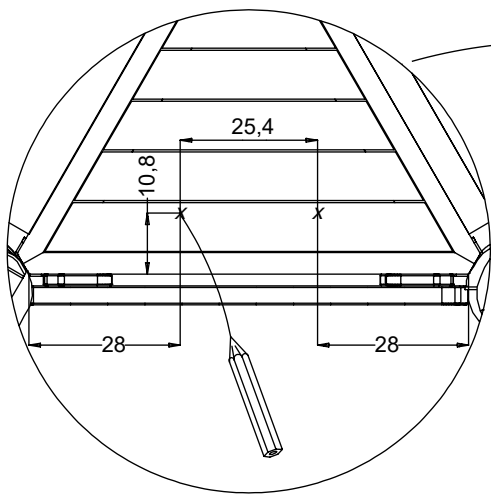


2x 7x35sxi

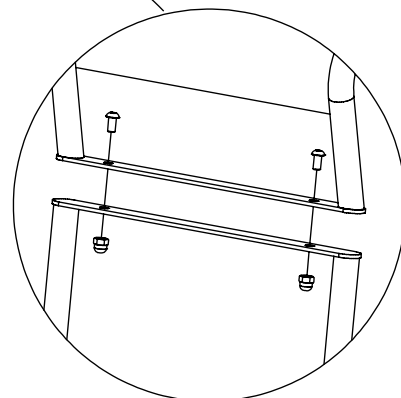
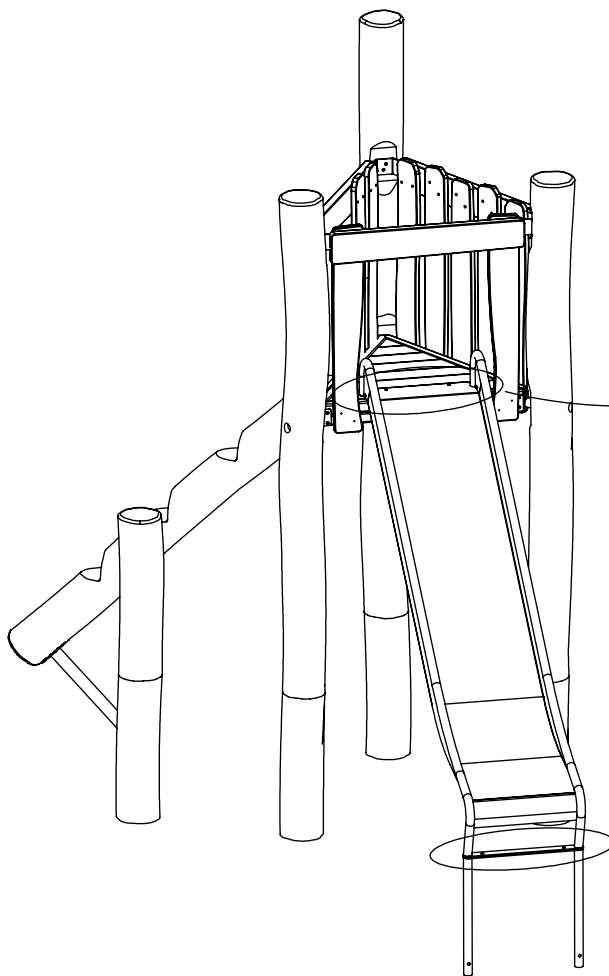
2x 8x50sxi

[cm]

vinci
play



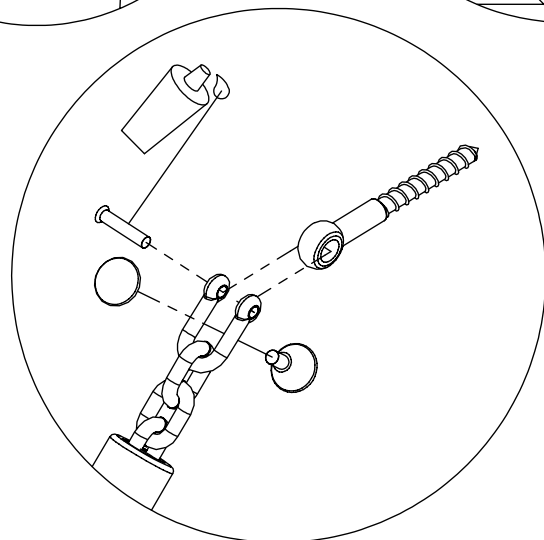
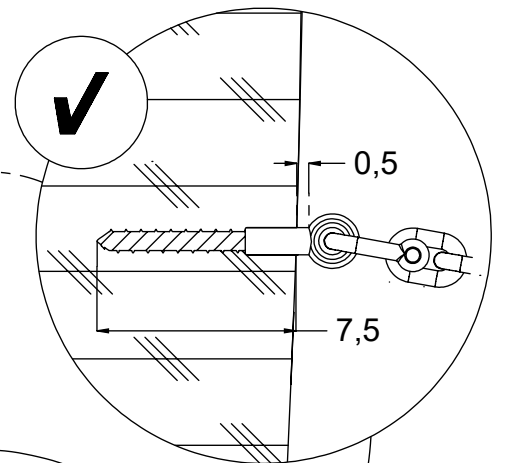
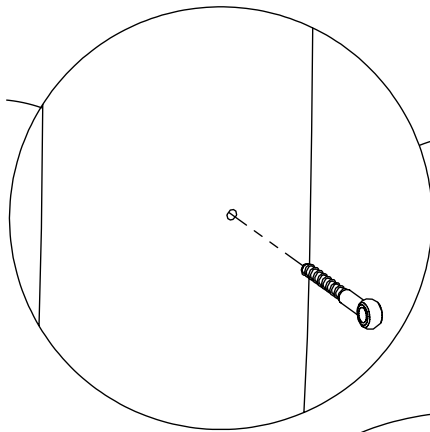
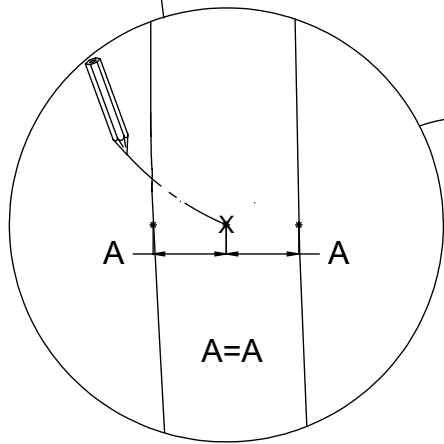
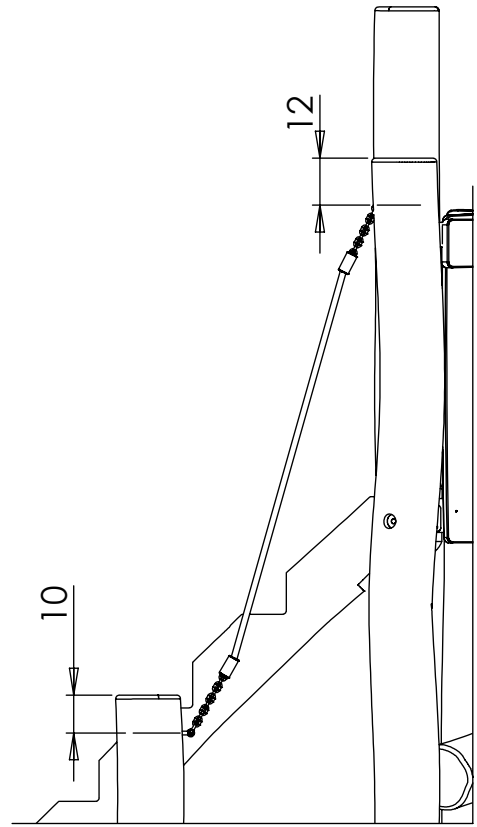
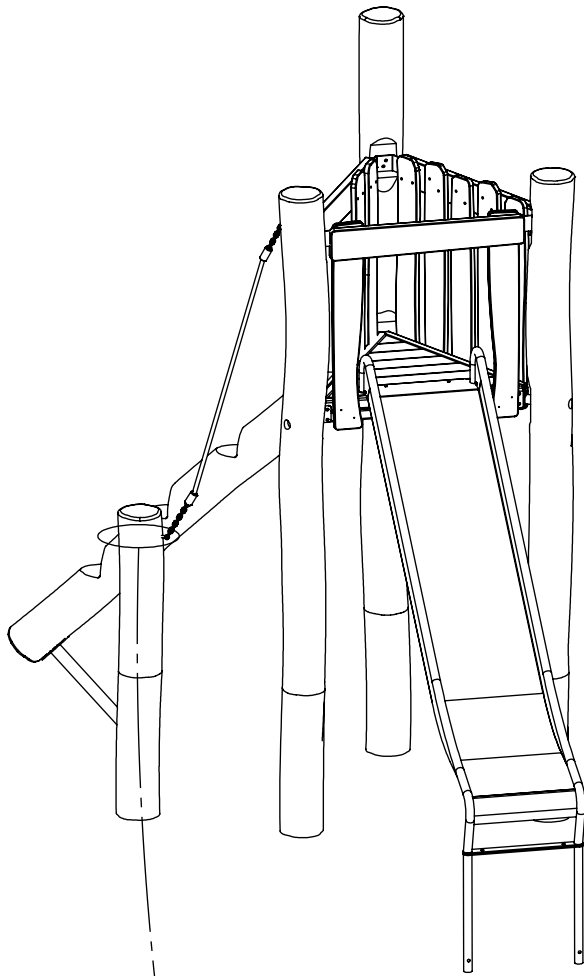
1x 12e019



1x 12e030

[cm]

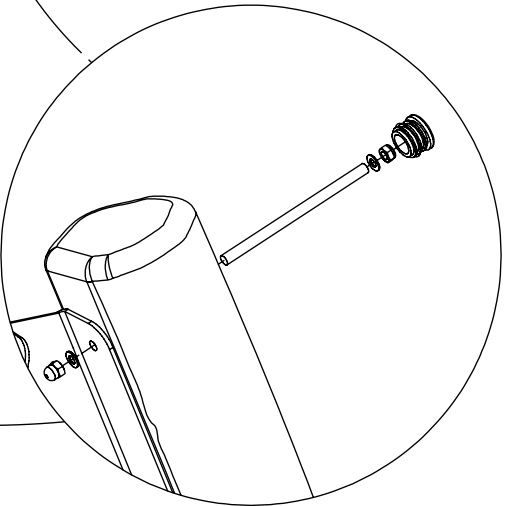
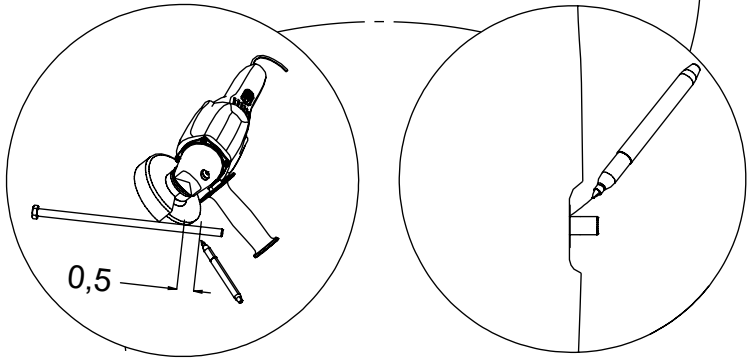
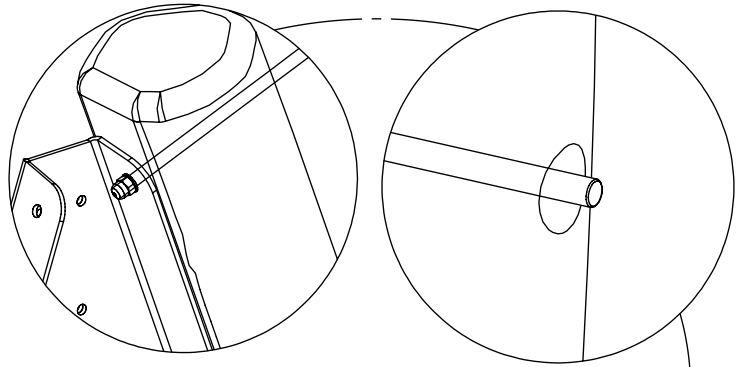
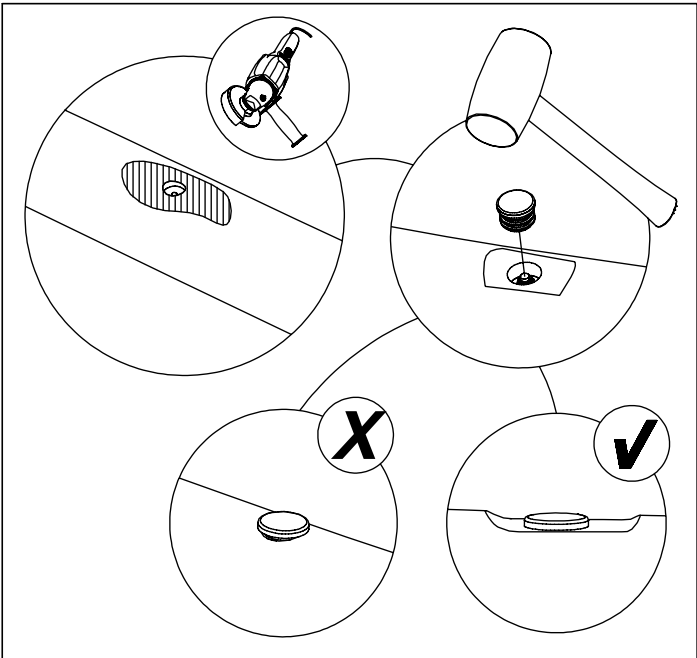
vinci
play



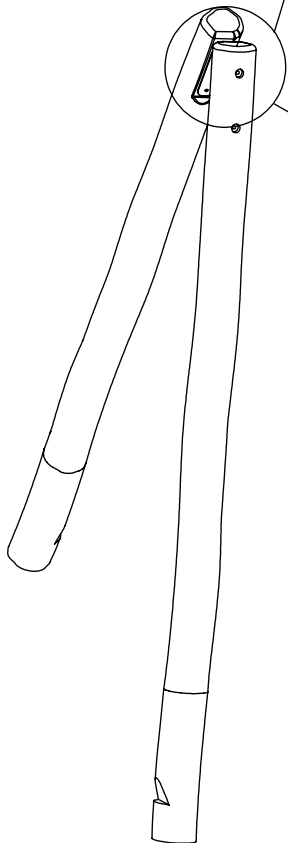
[cm]

1x 12e007

vinci
play

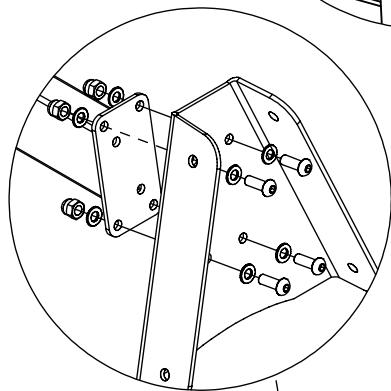
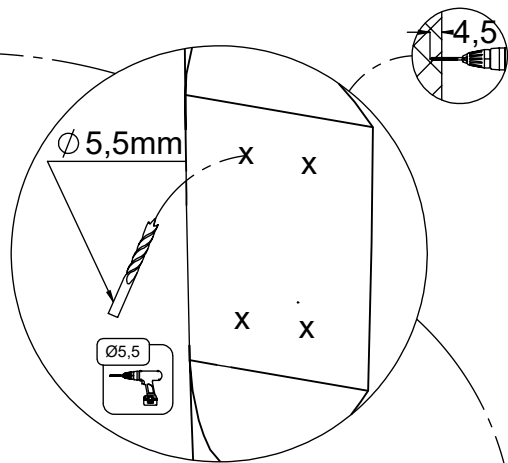
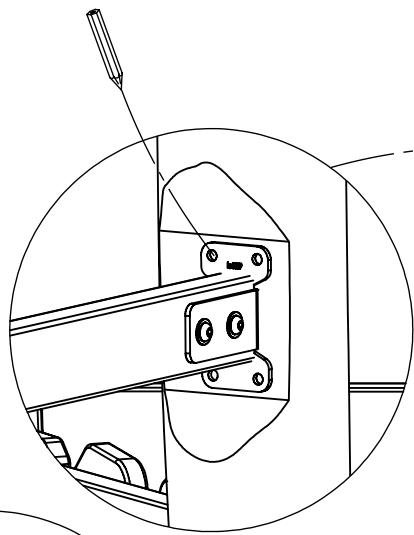


1x 12e017

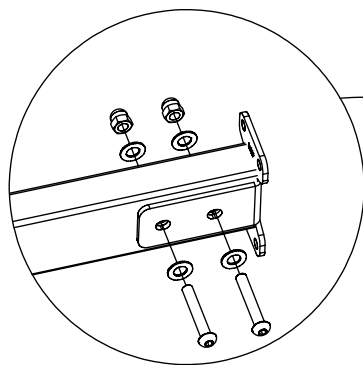


[cm]

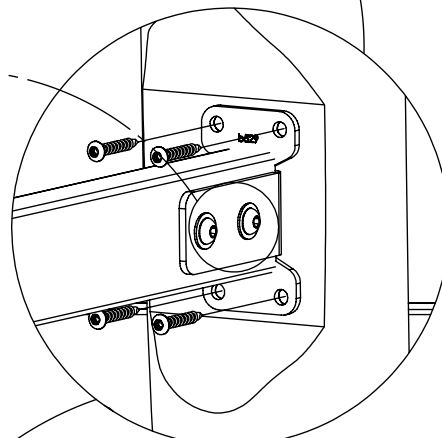
vinci
play



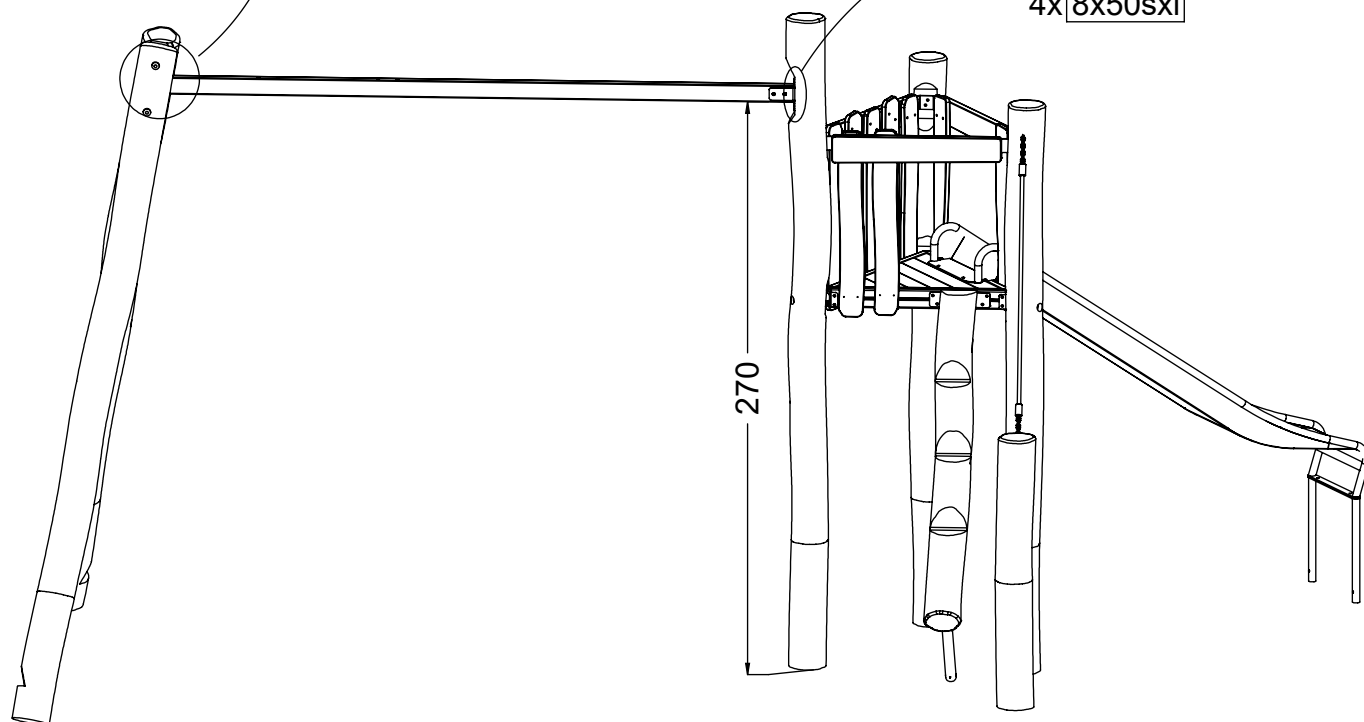
1x E220



1x 12e090

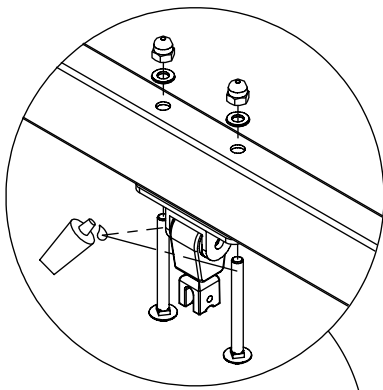


4x 8x50sxi

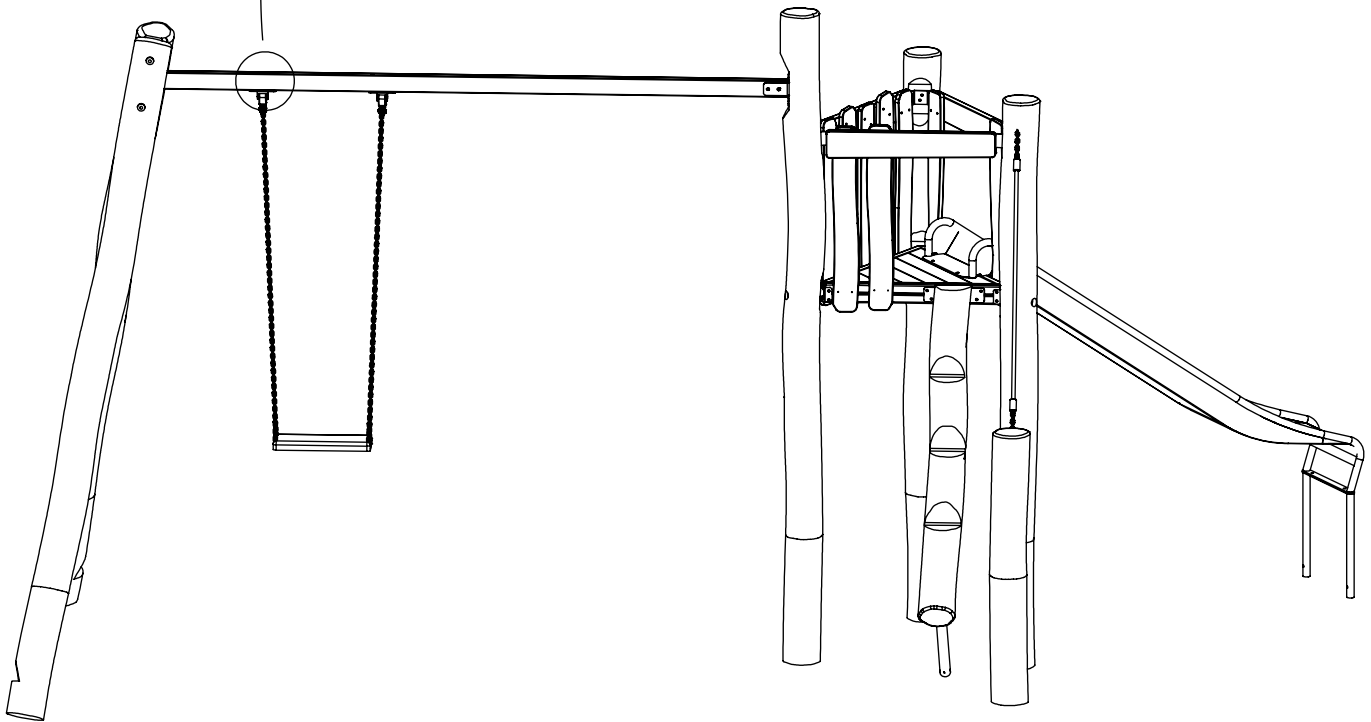
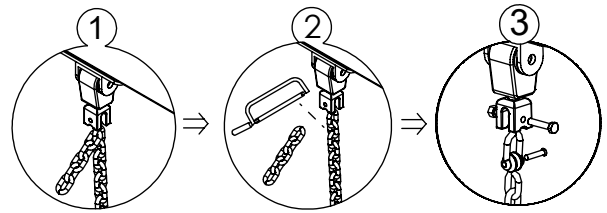
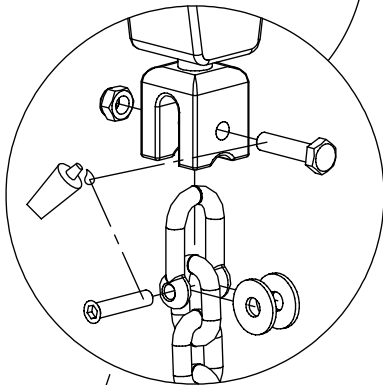


[cm]

vinci
play

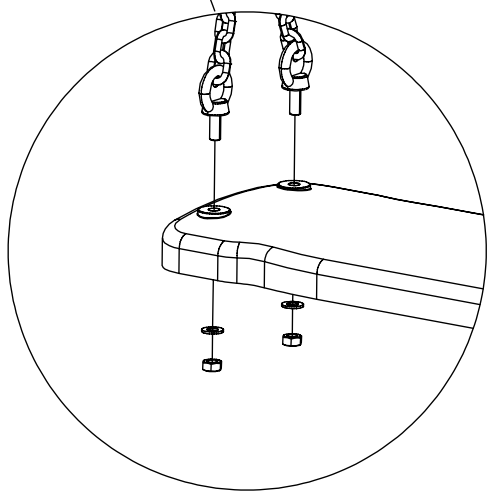
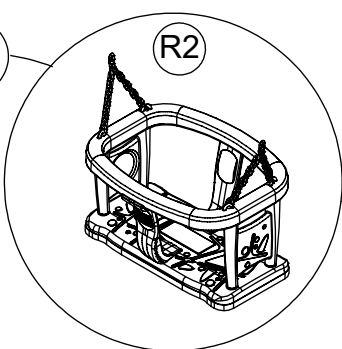
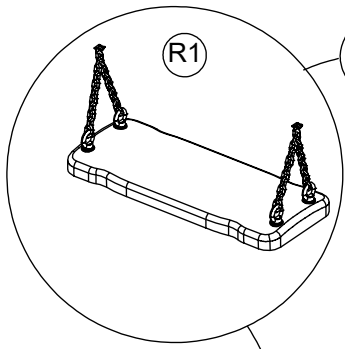


1x E62

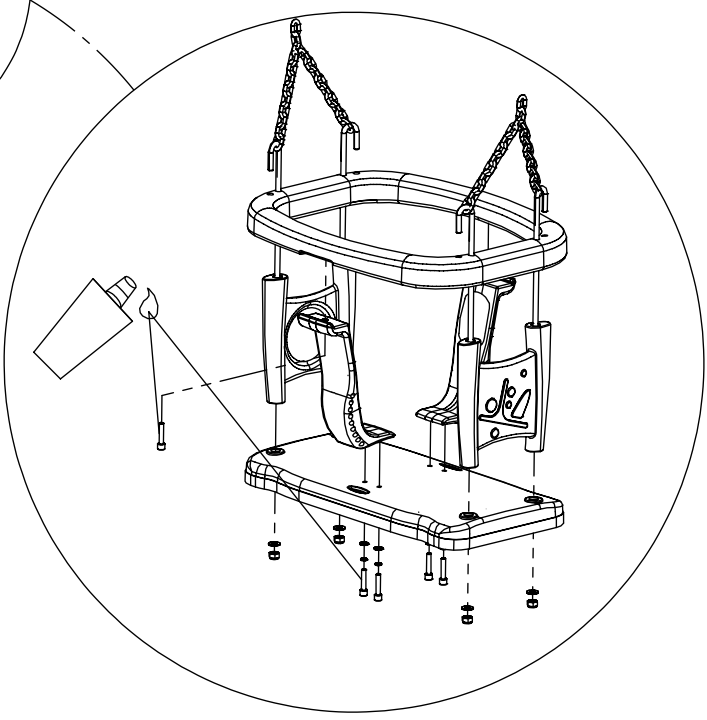


[cm]

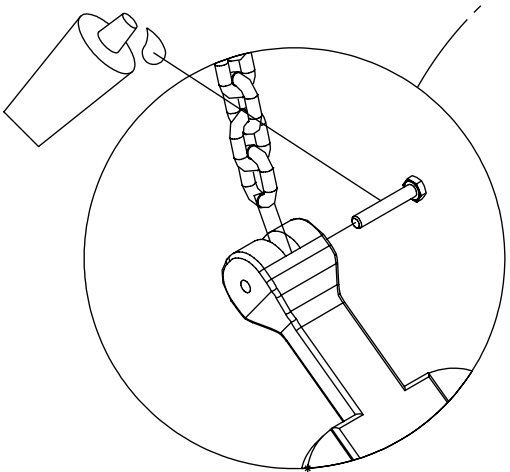
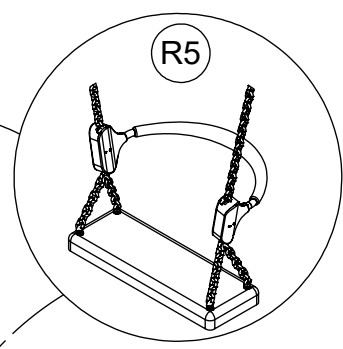
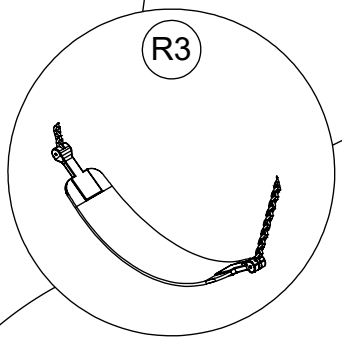
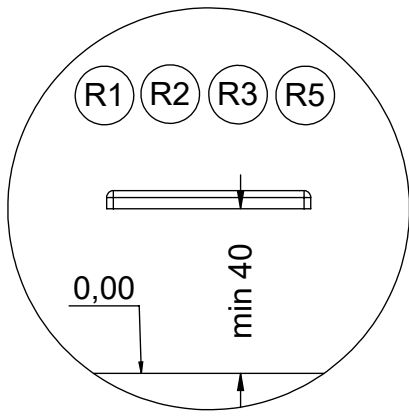
vinci
play



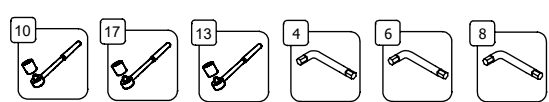
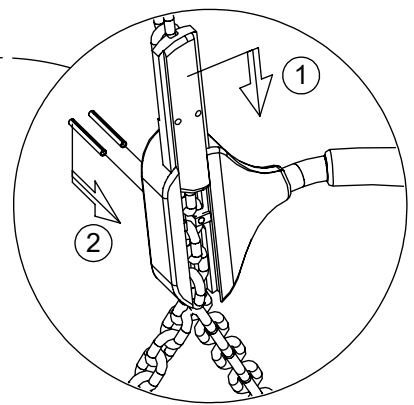
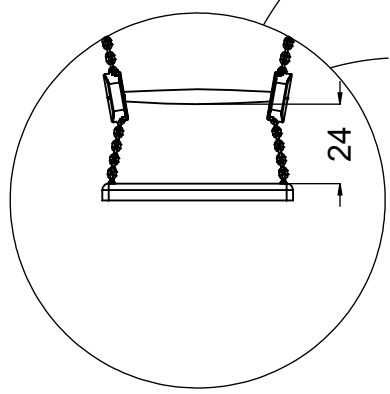
1x E164



1x E165

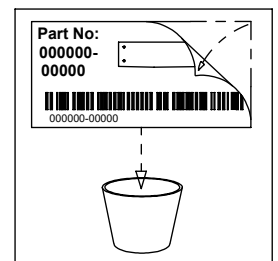
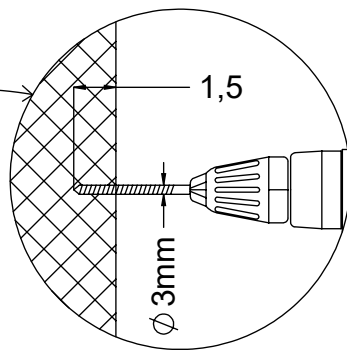
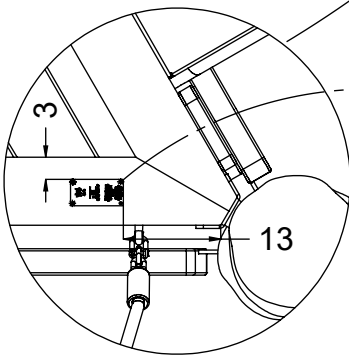
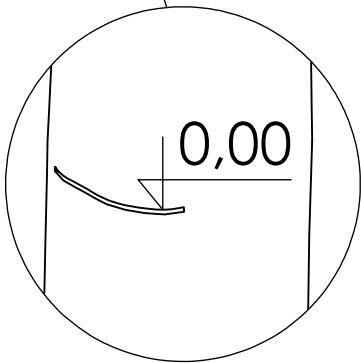
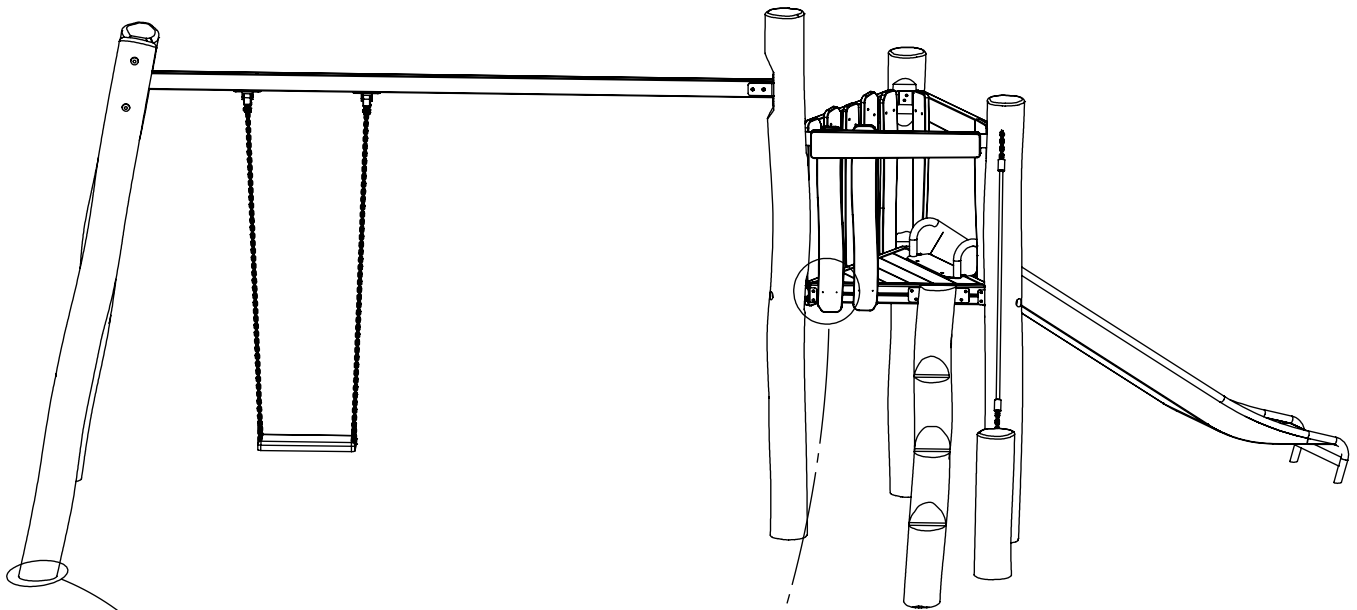


1x E168



[cm]

vinci play



[cm]

vinci
play