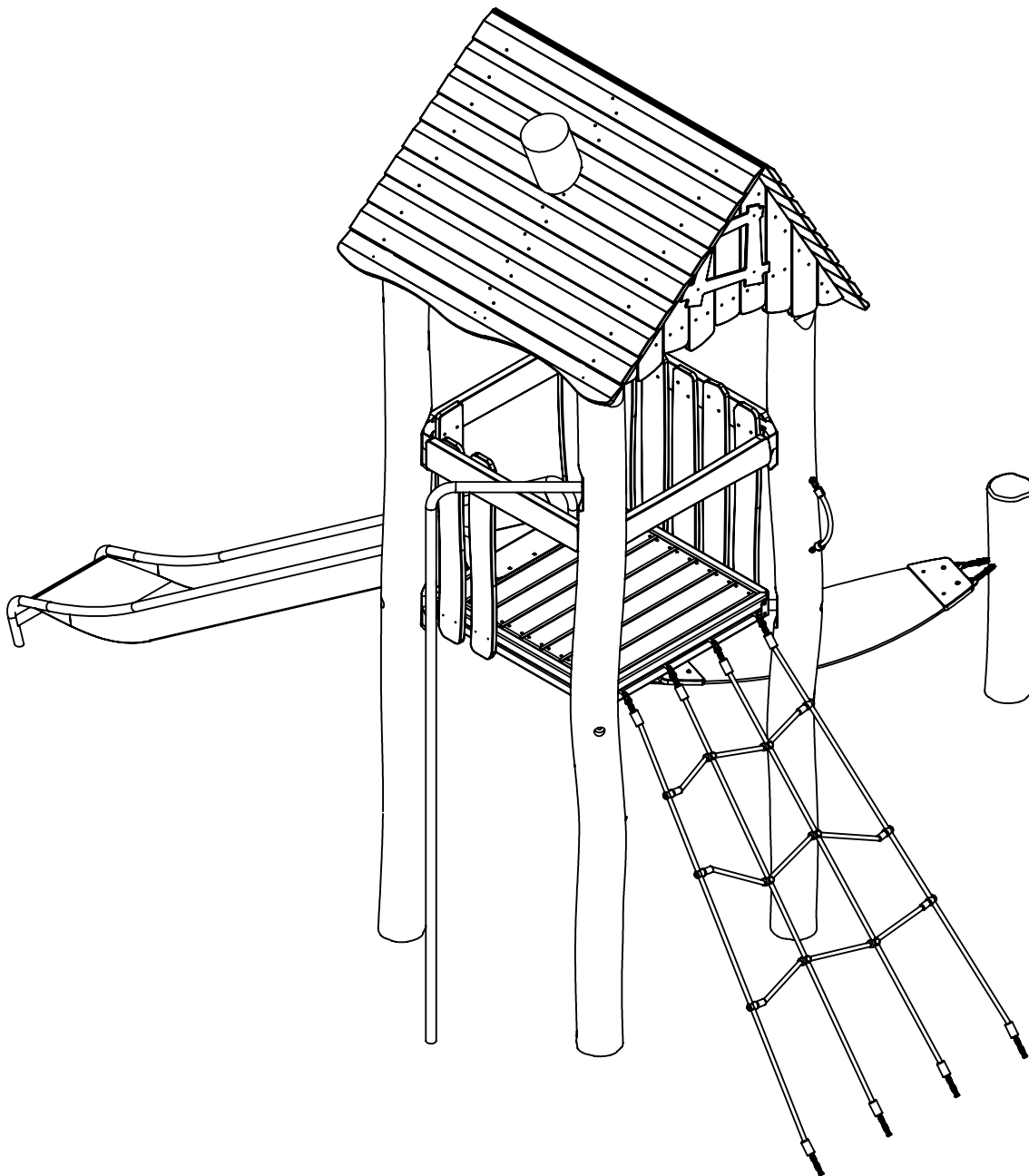
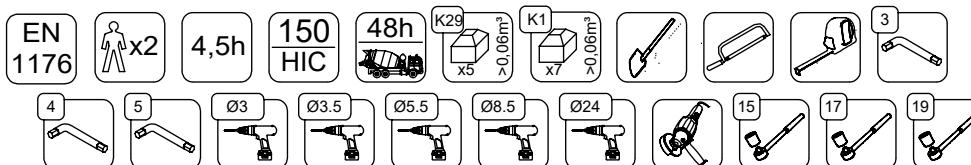


RB1211

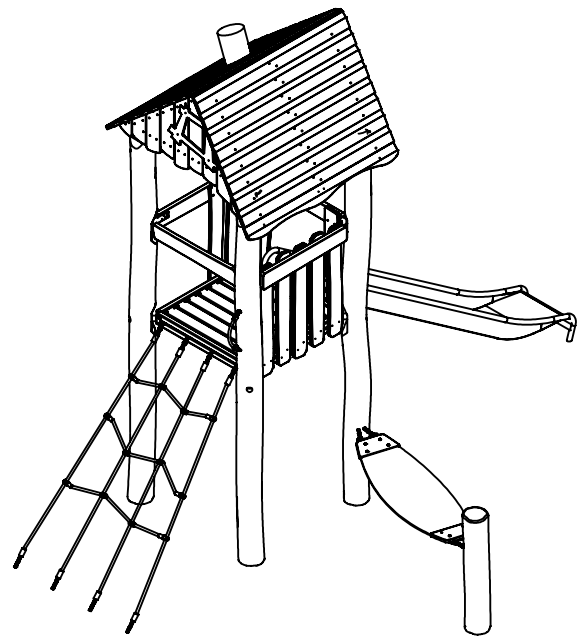
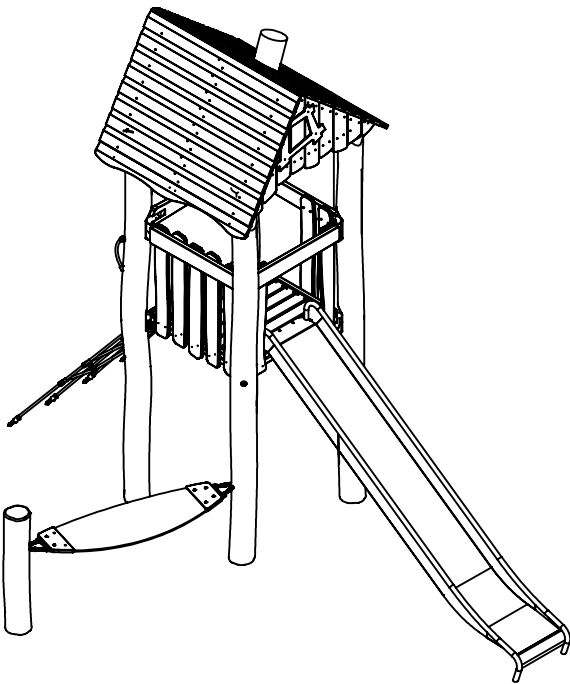
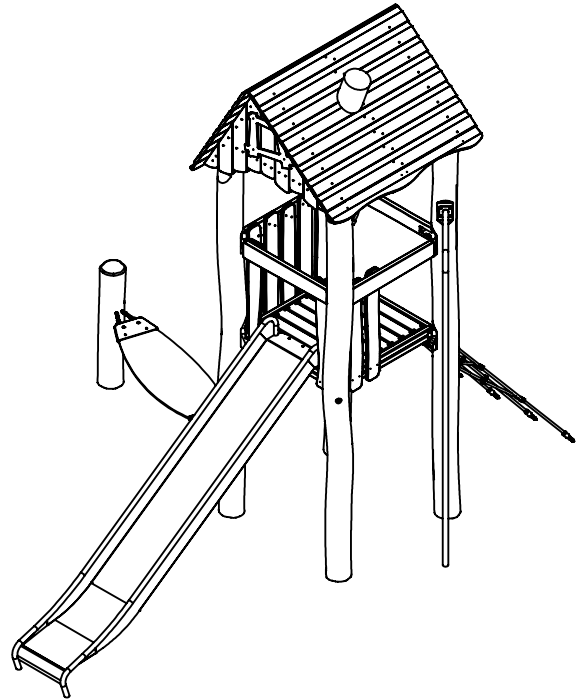
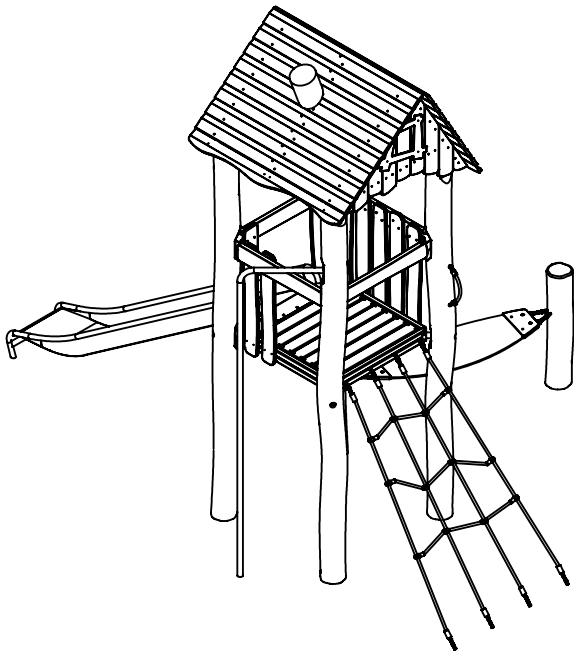


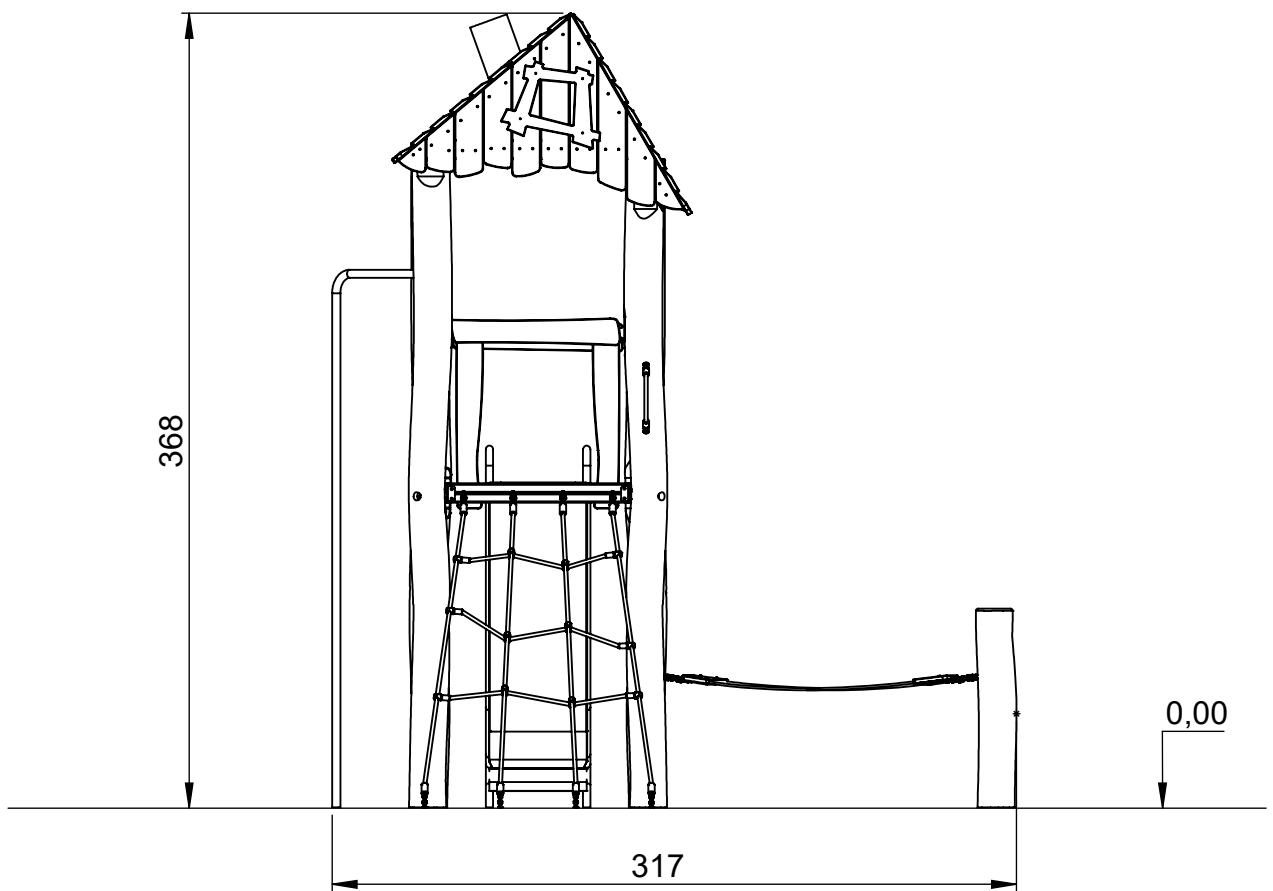
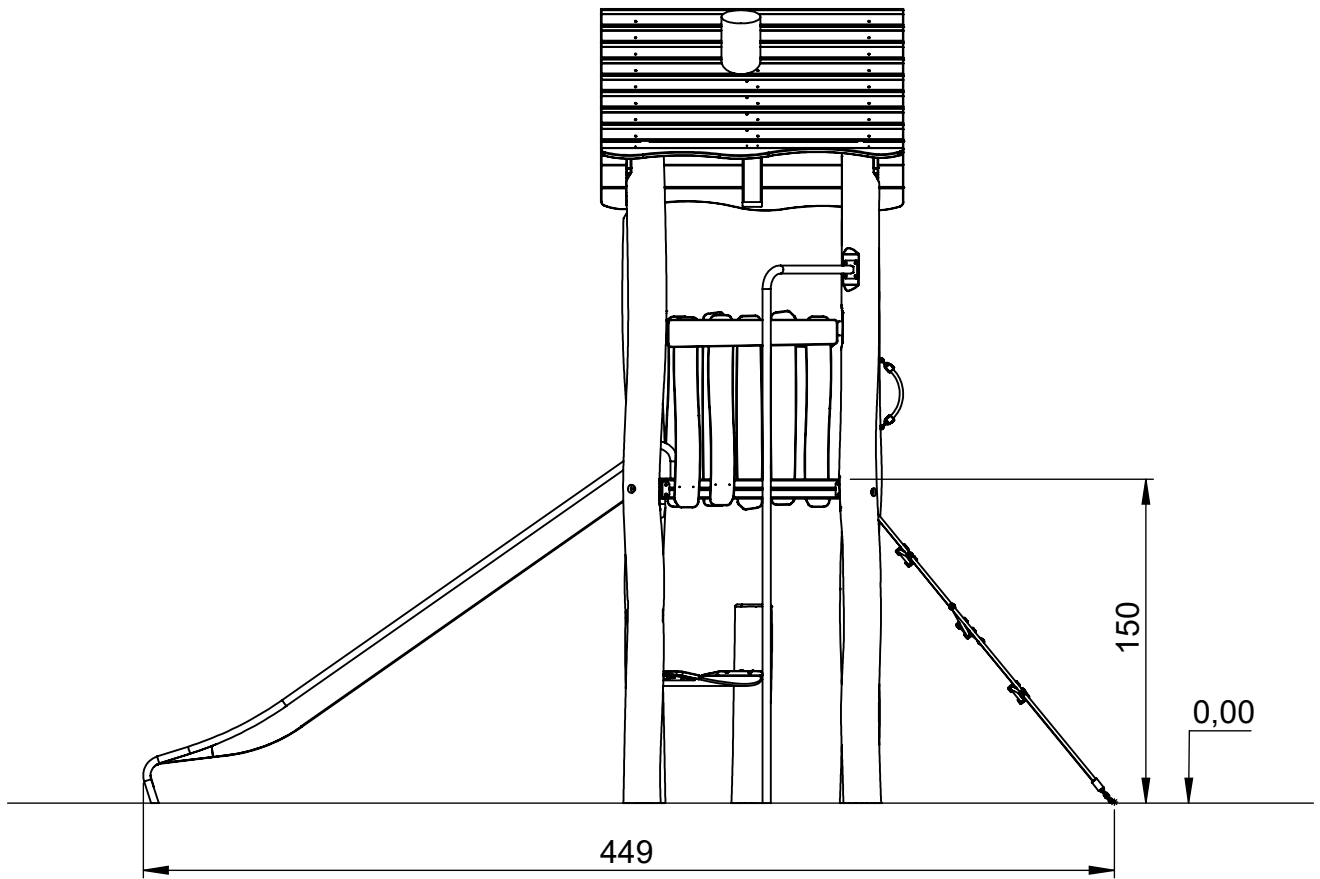
v014
16.11.2021
D.P.

[cm]



vinci
play

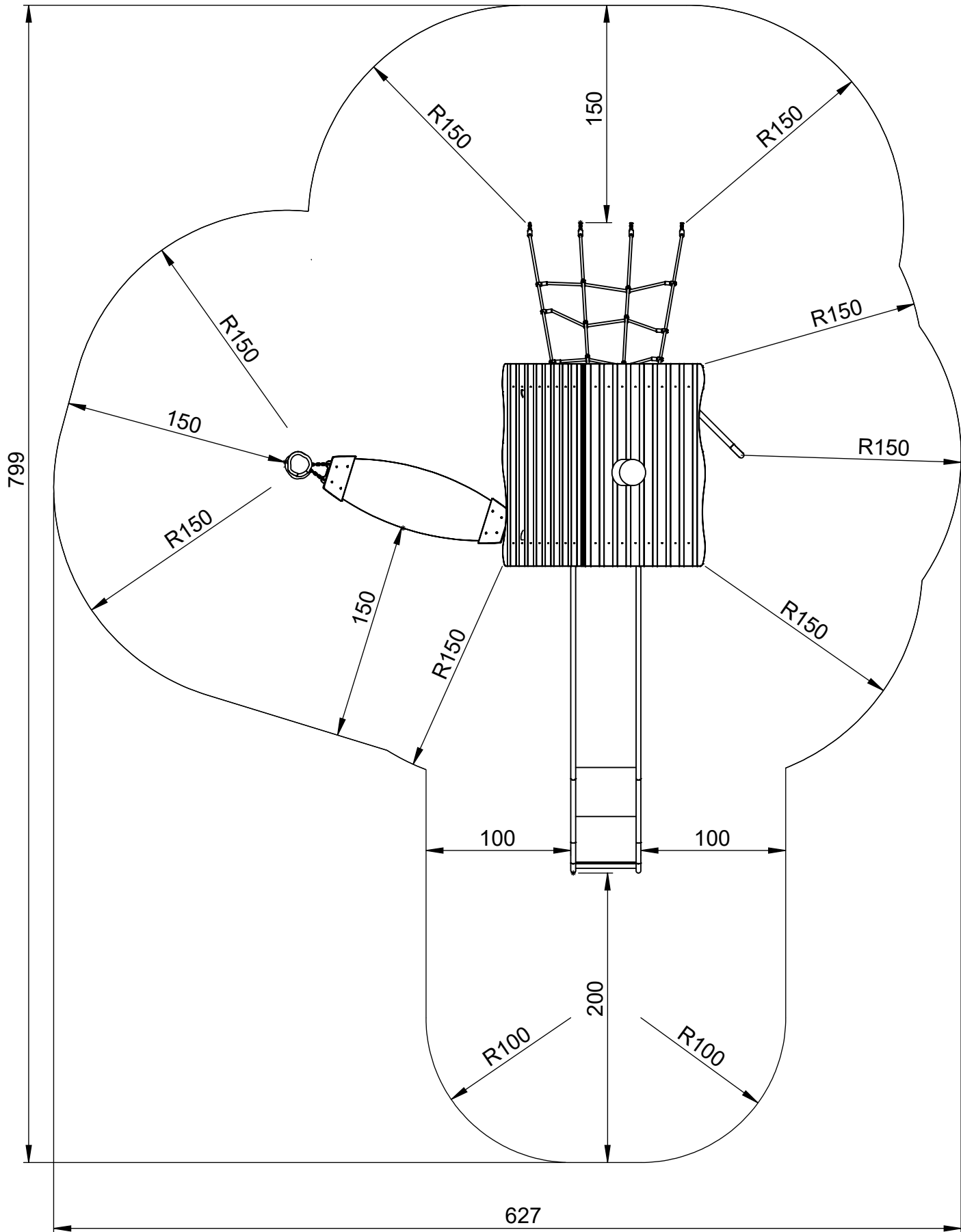




[cm]



vinci
play



[cm]



vinci
play

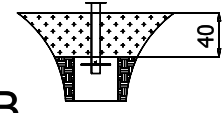
K29

0,00

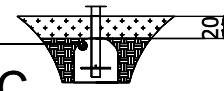
48h



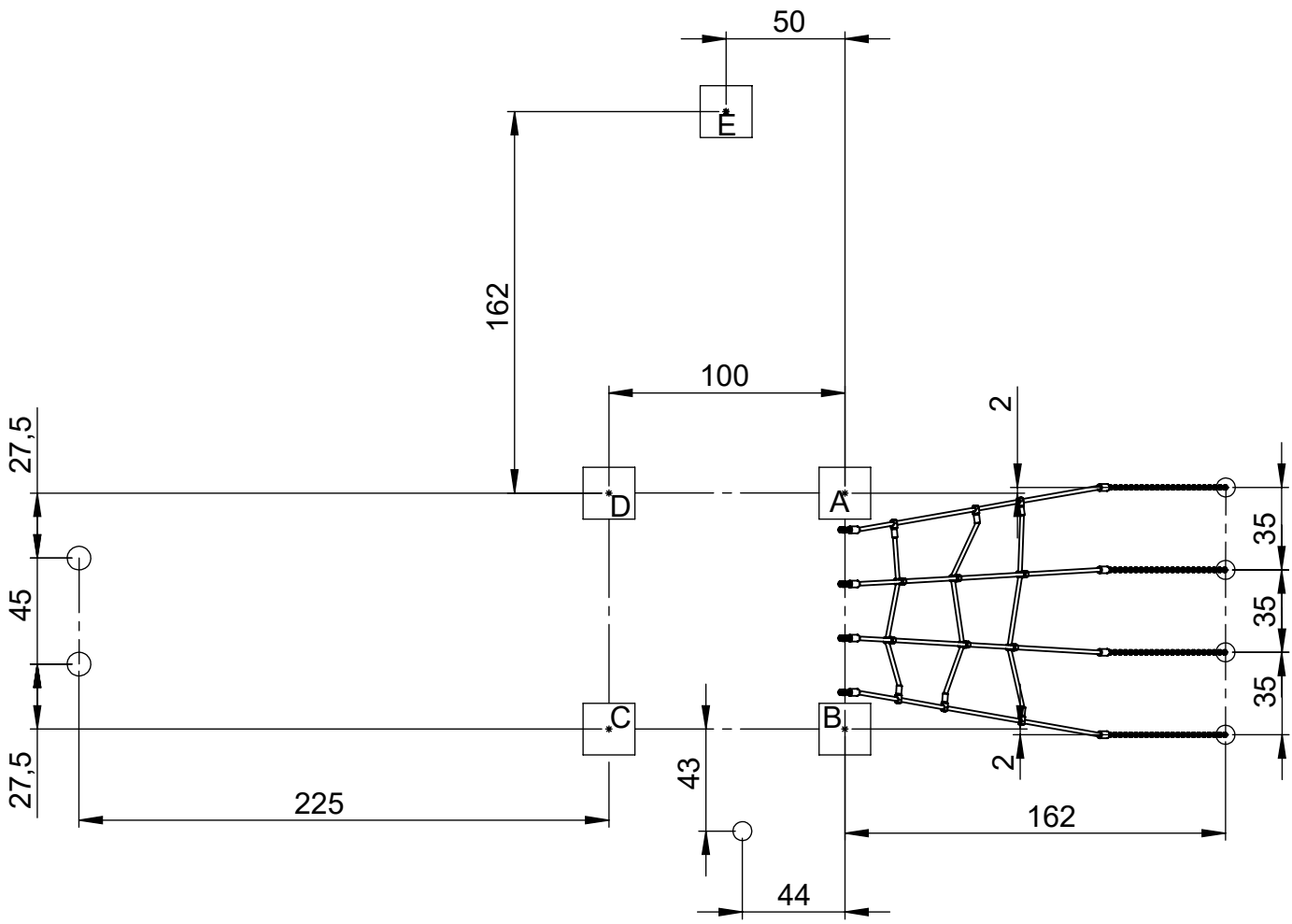
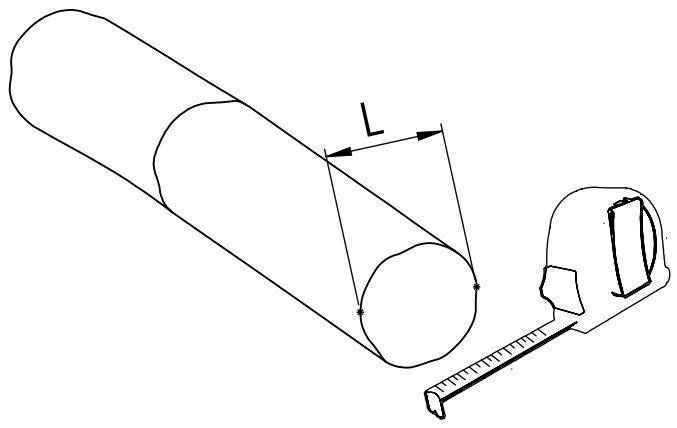
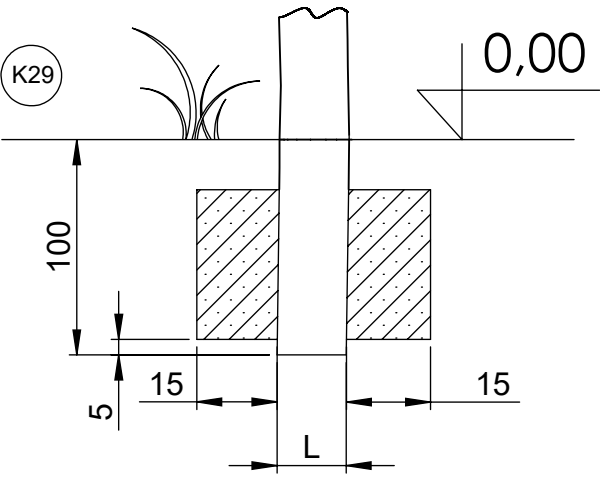
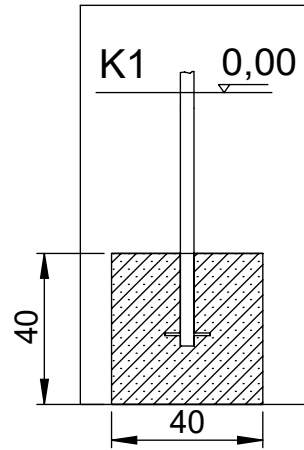
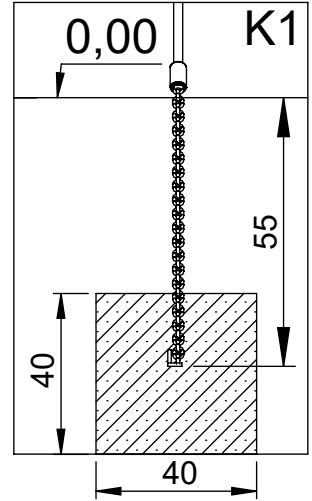
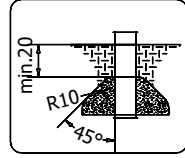
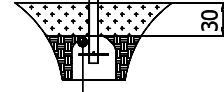
A.



B.



C.



[cm]



4,5h

150 HIC

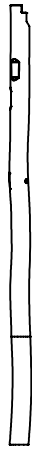
48h



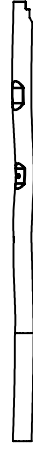
vinci play



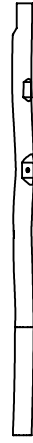
127289 (A)
x1



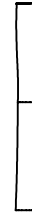
127290 (B)
x1



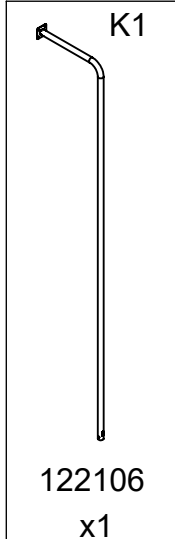
127291 (C)
x1



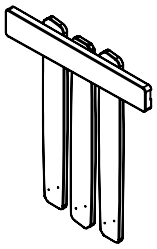
127292 (D)
x1



127293 (E)
x1



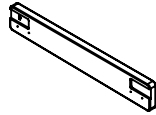
122106
x1



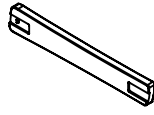
124104
x1



128181
x4



128107
x1



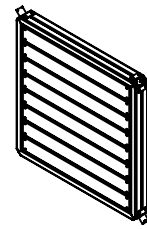
128168
x1



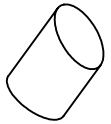
128103
x1



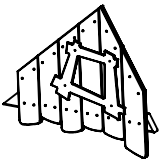
128178
x1



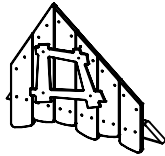
124100
x1



128172
x1



124135
x1



124132
x1



128229
128117
x1



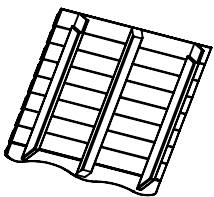
128230
128118
x1



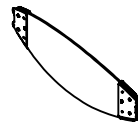
128237
128125
x1



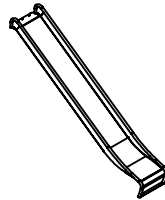
128238
128126
x1



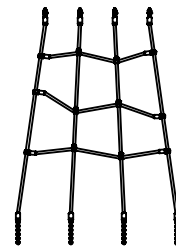
124133
x2



124128
x1



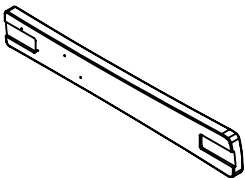
994170
x1



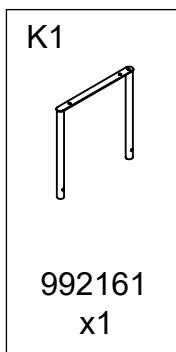
125108
x1



125119
x1



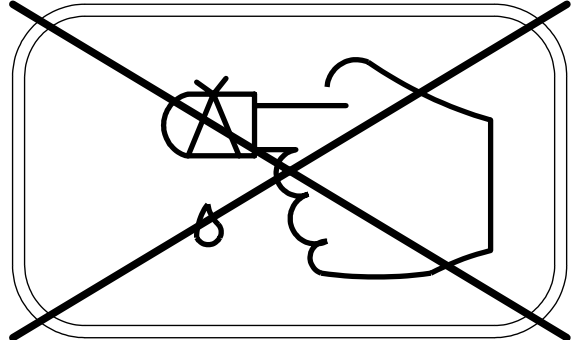
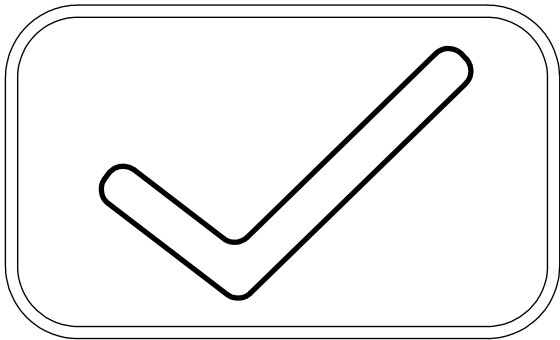
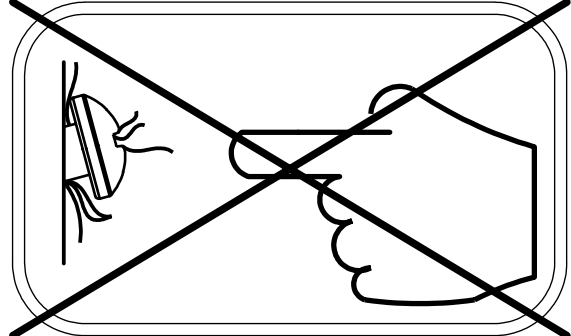
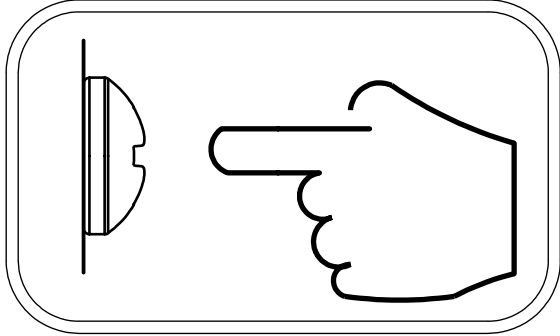
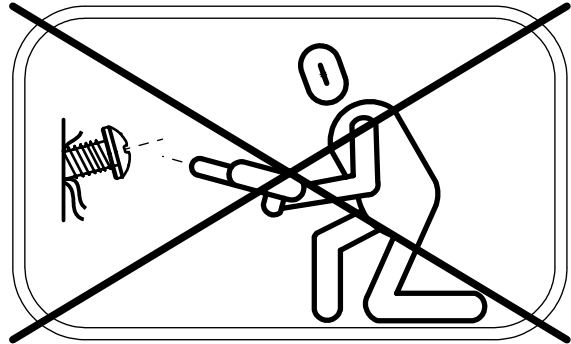
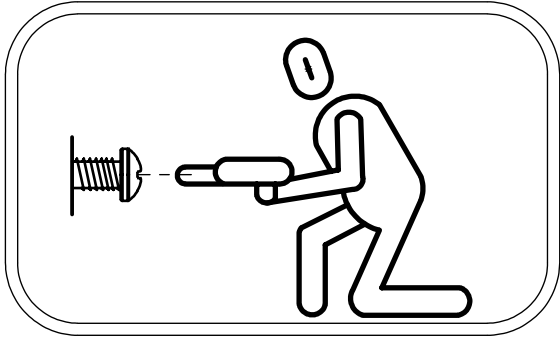
128197
x1

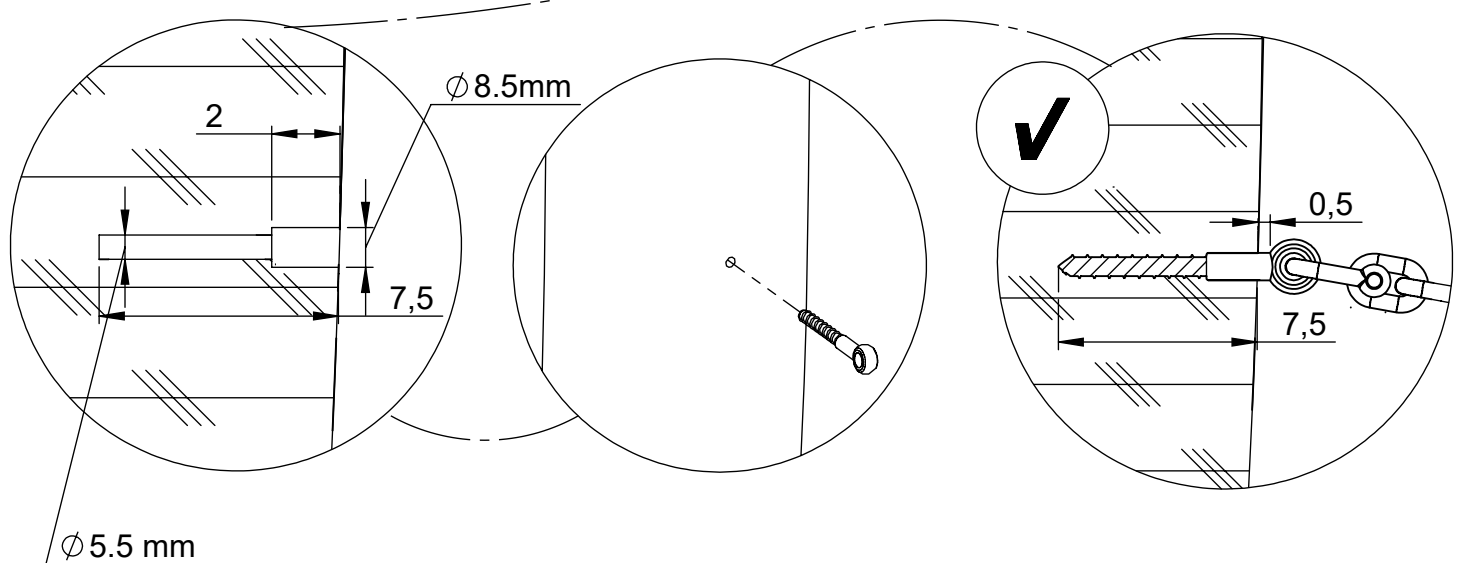
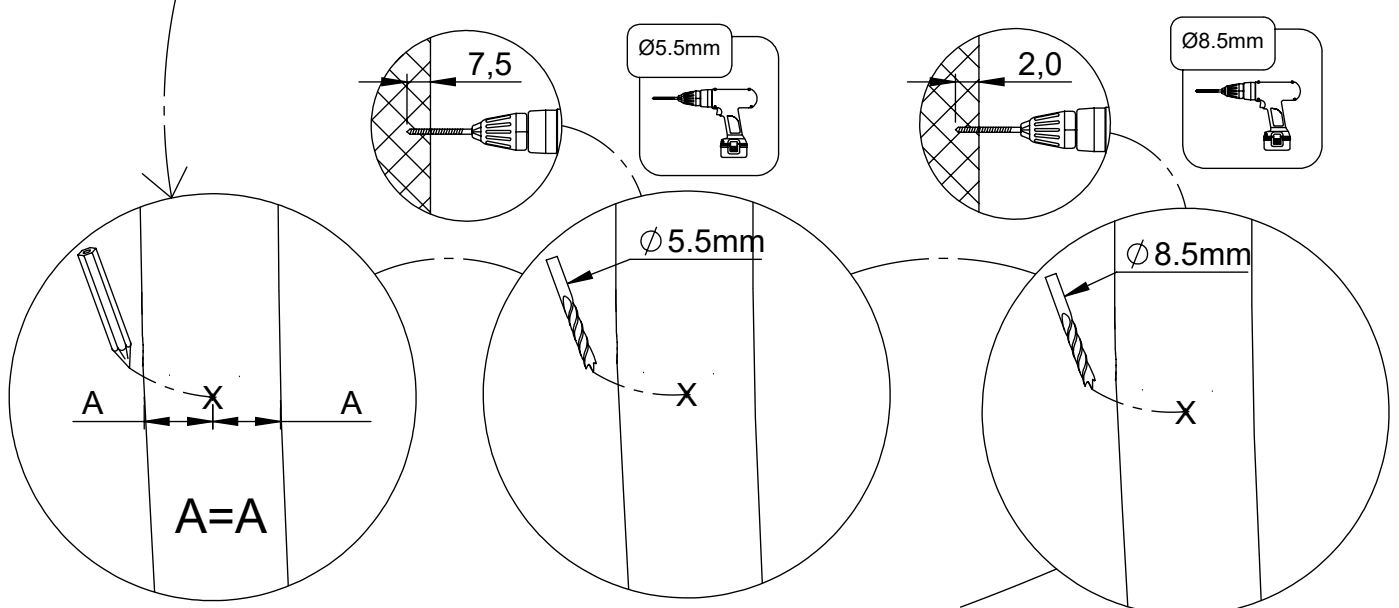
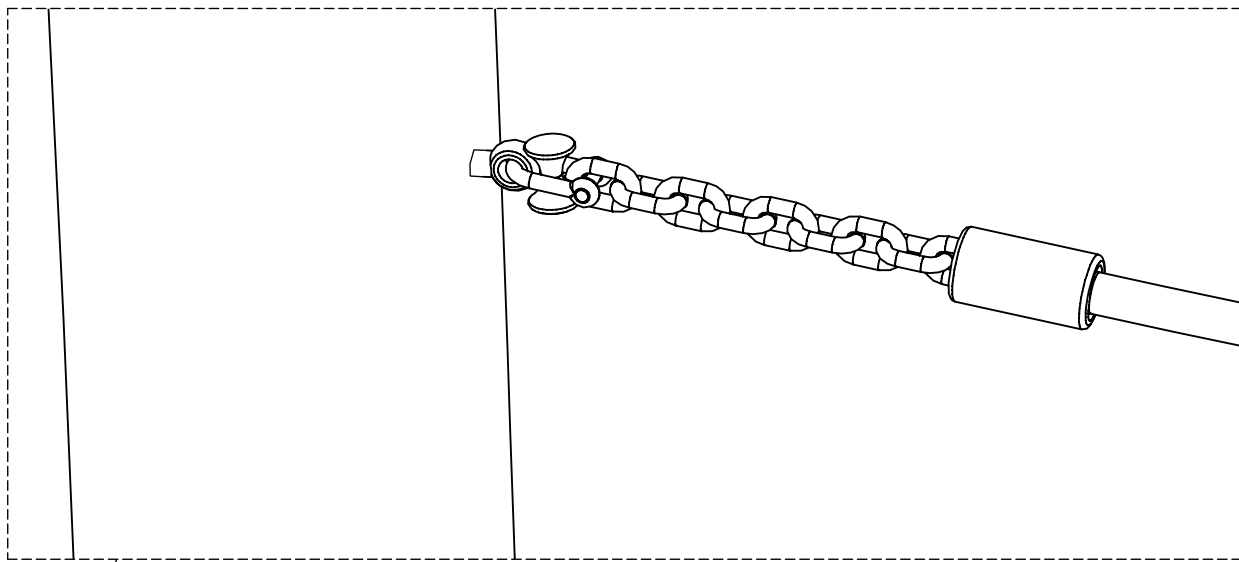


992161
x1

24x	5x30sxs
72x	5x50sxs
7x	5x80sxs
6x	7x35sxi
12x	8x50sxi
4x	8x80sxt

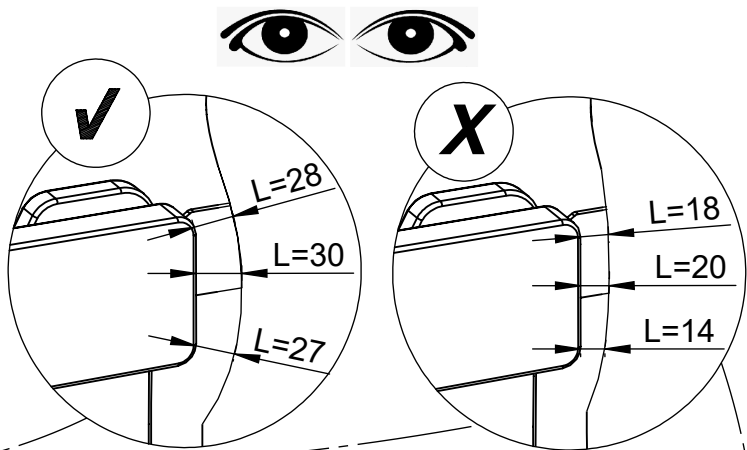
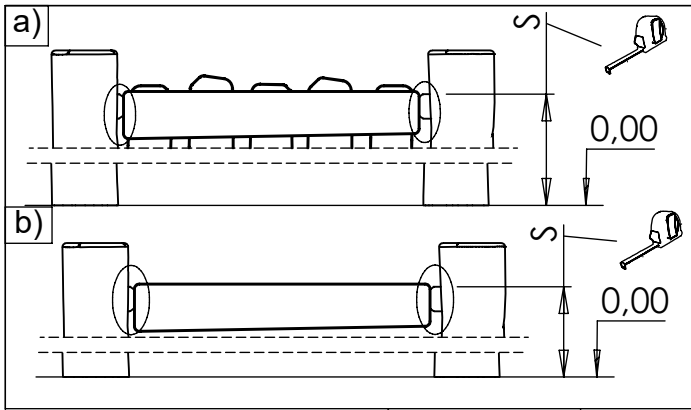
1x	12e004
5x	12e007
1x	12e024
1x	12e030
4x	12e052
1x	12e089
4x	b390
1x	GL
1x	V001





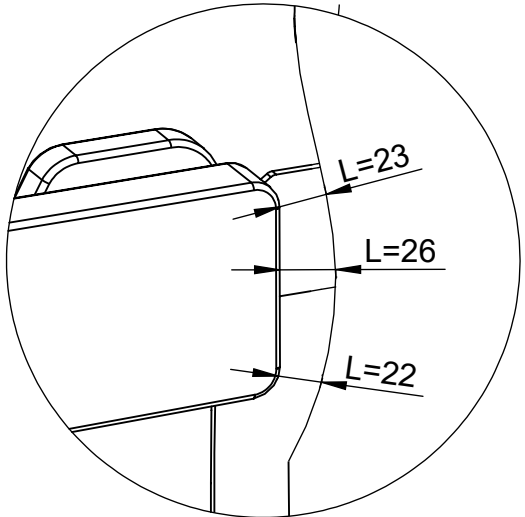
[cm]

vinci play



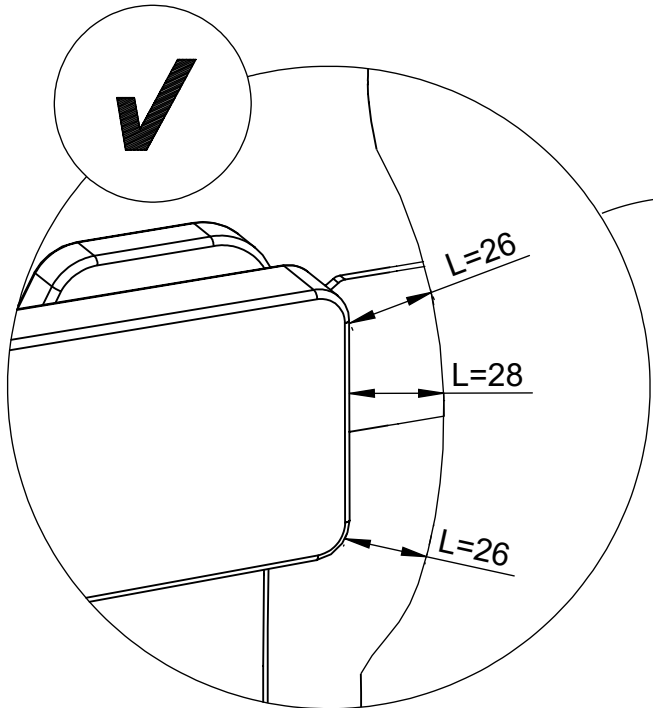
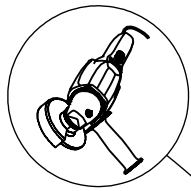
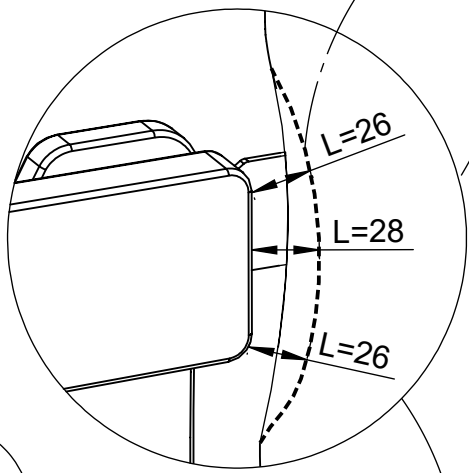
$S < 97$ $S > 97$

$L > 25\text{mm}$ ✓ $L \leq 25\text{mm}$ ✗



$L > 25\text{mm}$ ✓

$L \leq 25\text{mm}$ ✓

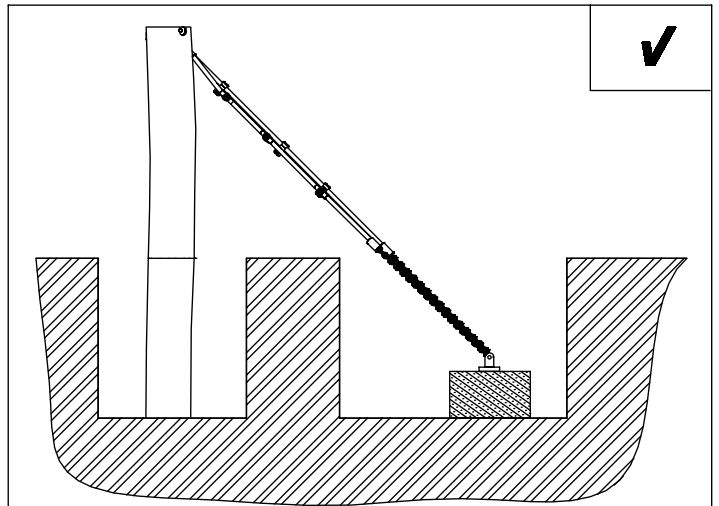
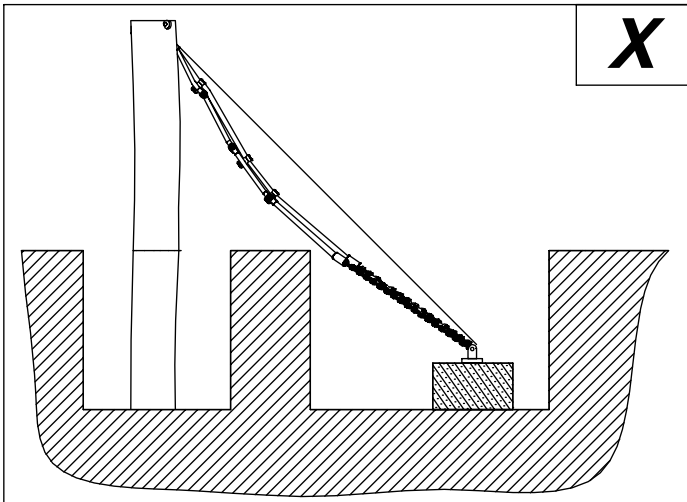
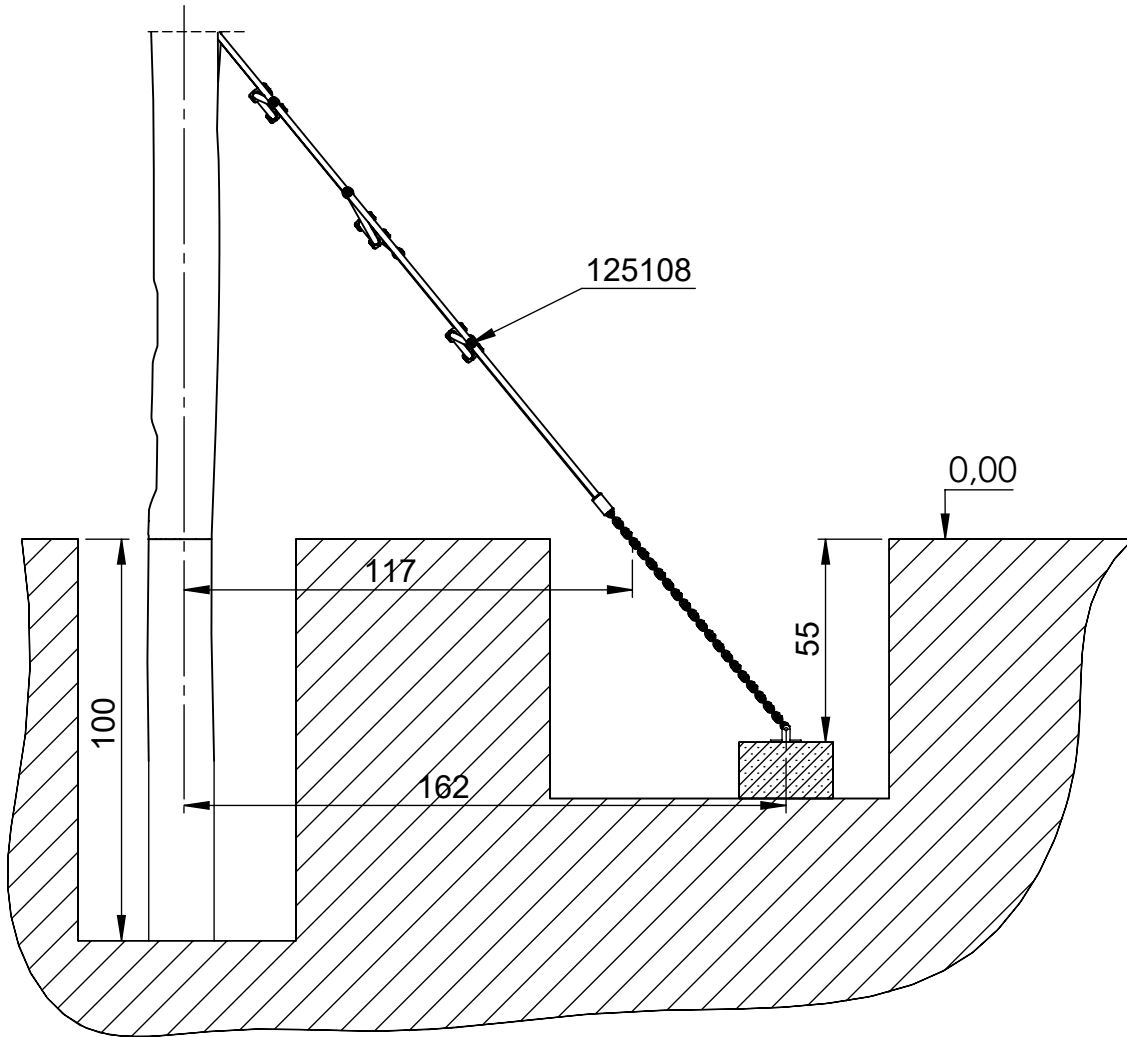


$L > 25\text{mm}$ ✓



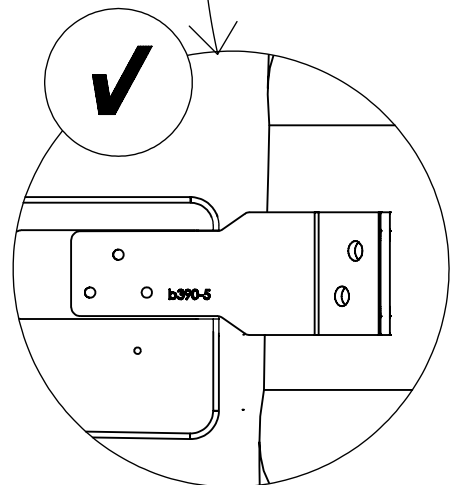
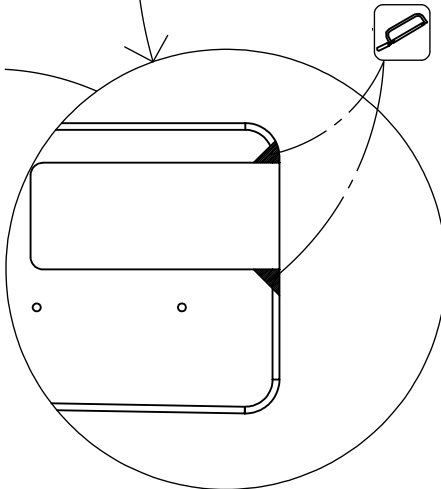
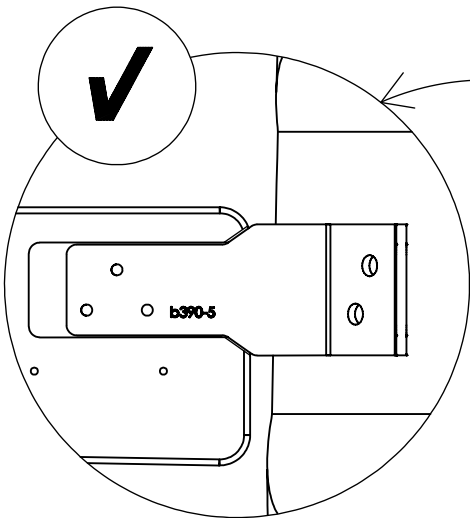
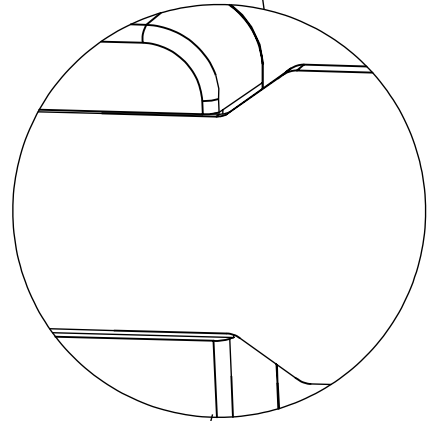
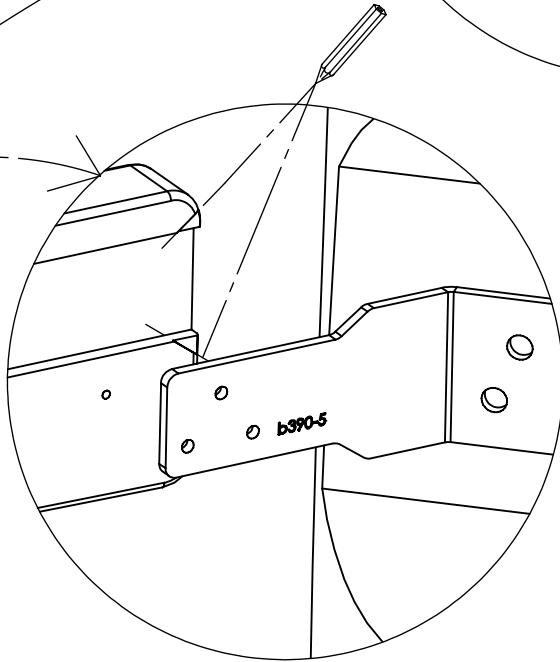
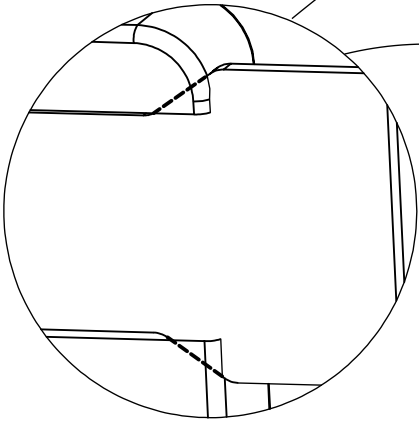
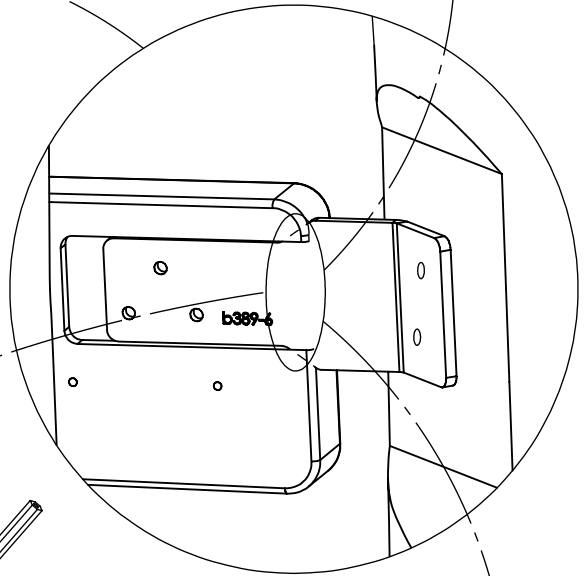
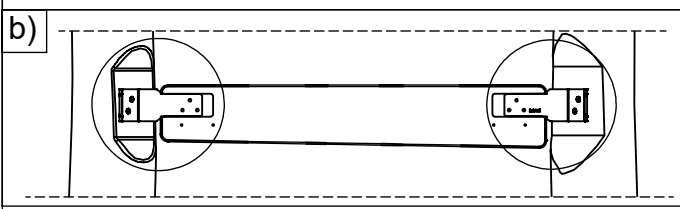
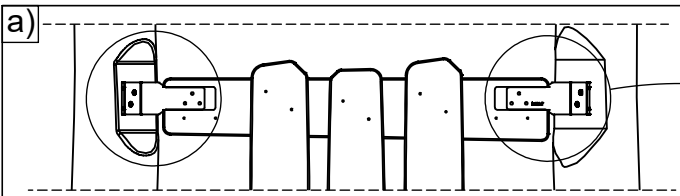
[cm]

vinci play



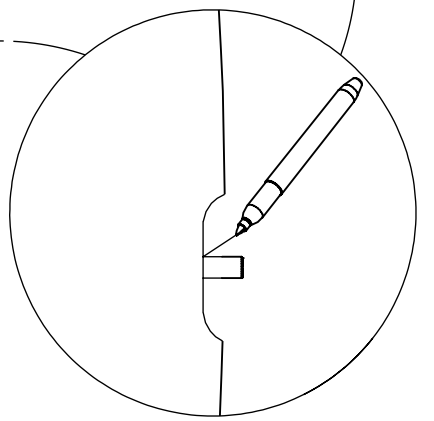
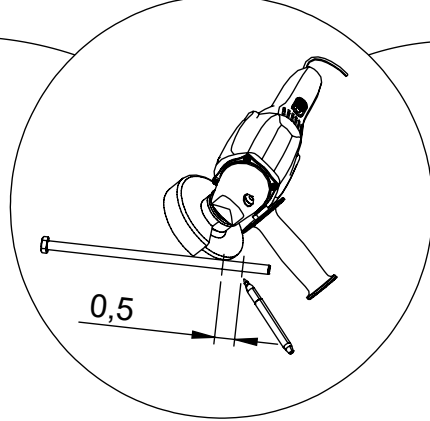
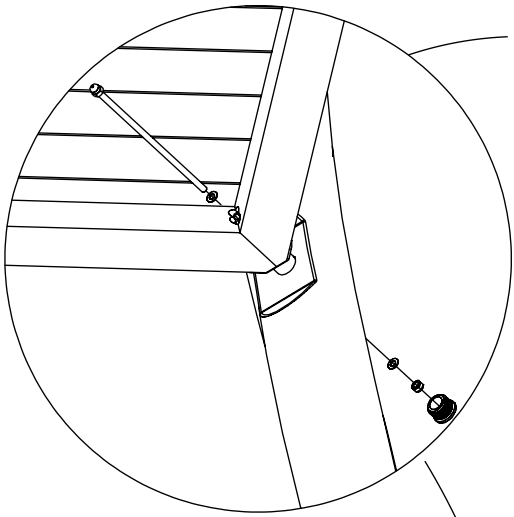
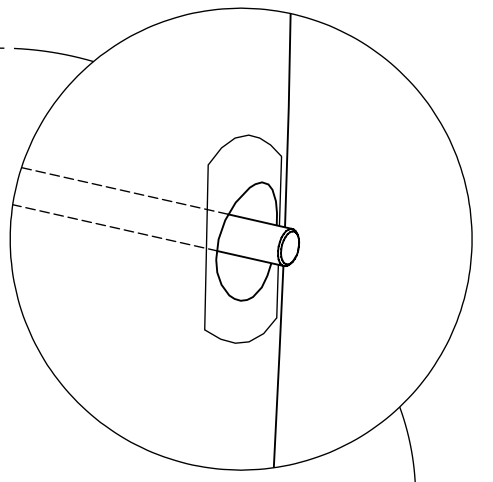
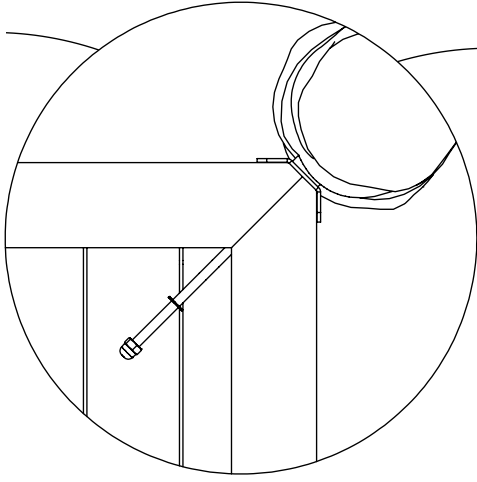
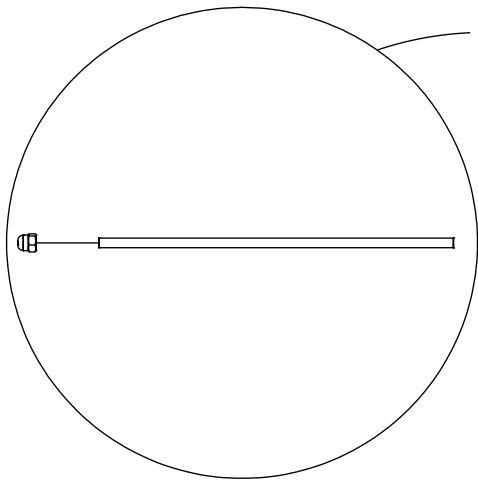
[cm]

vinci
play

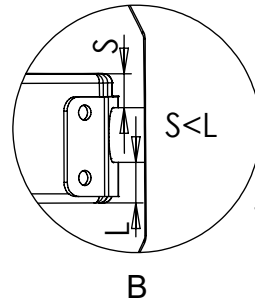
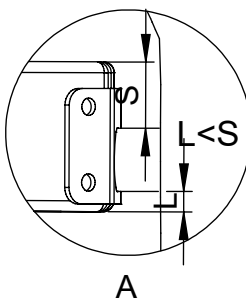
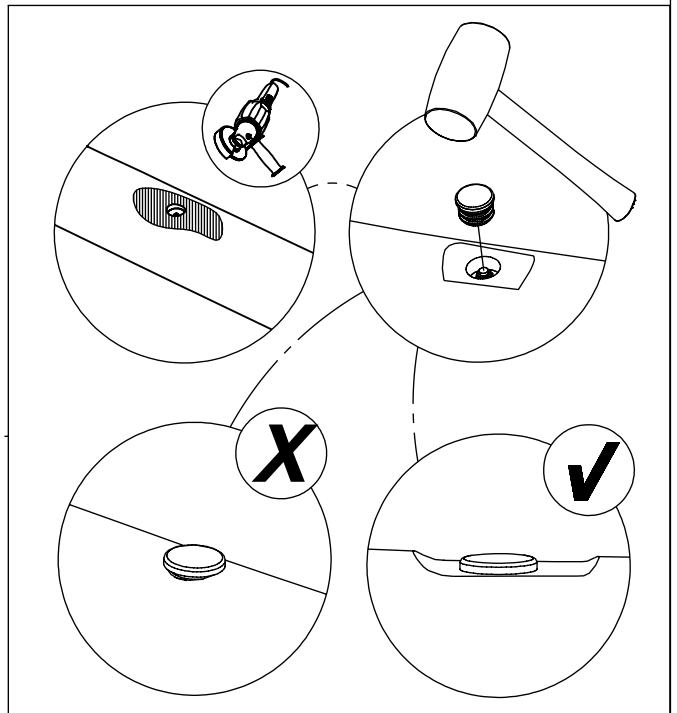
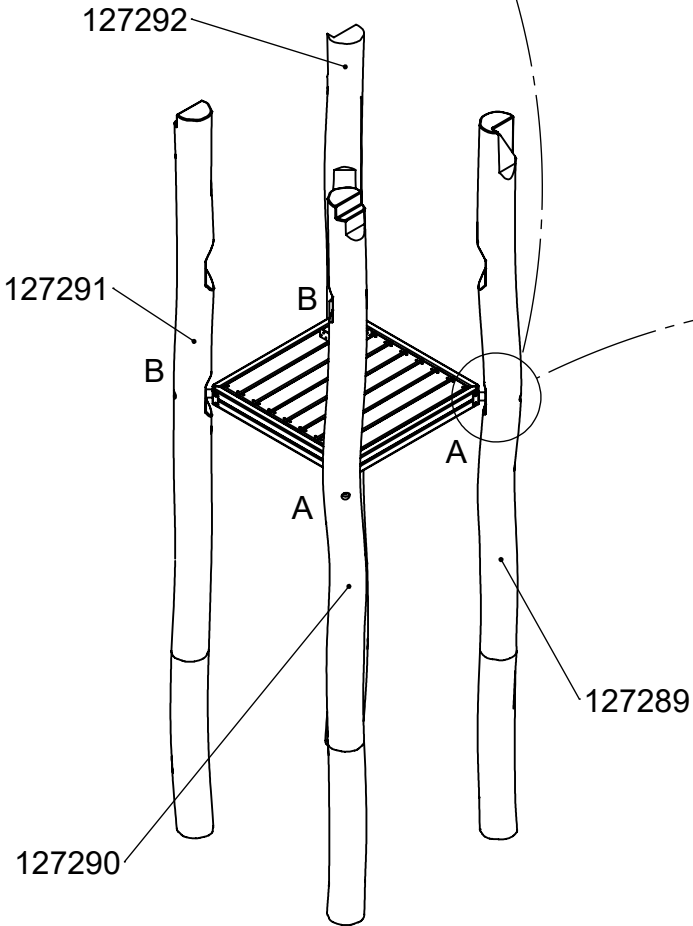


[cm]

vinci
play

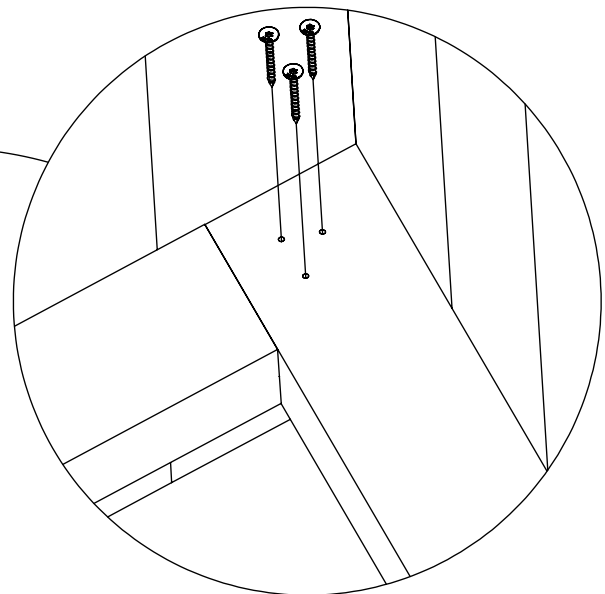
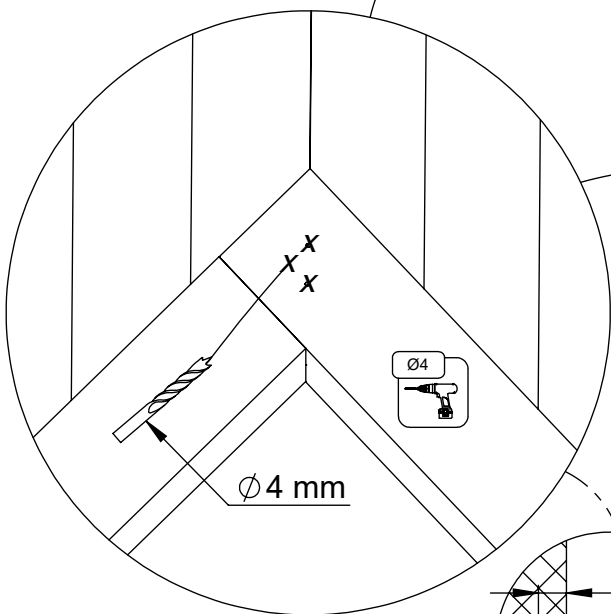
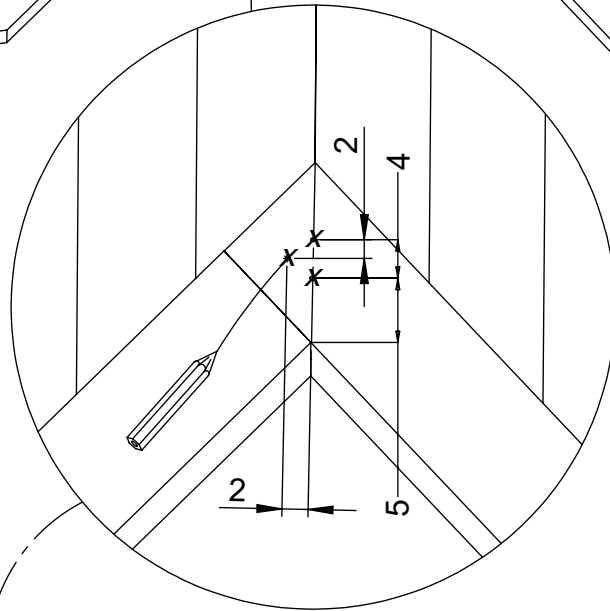
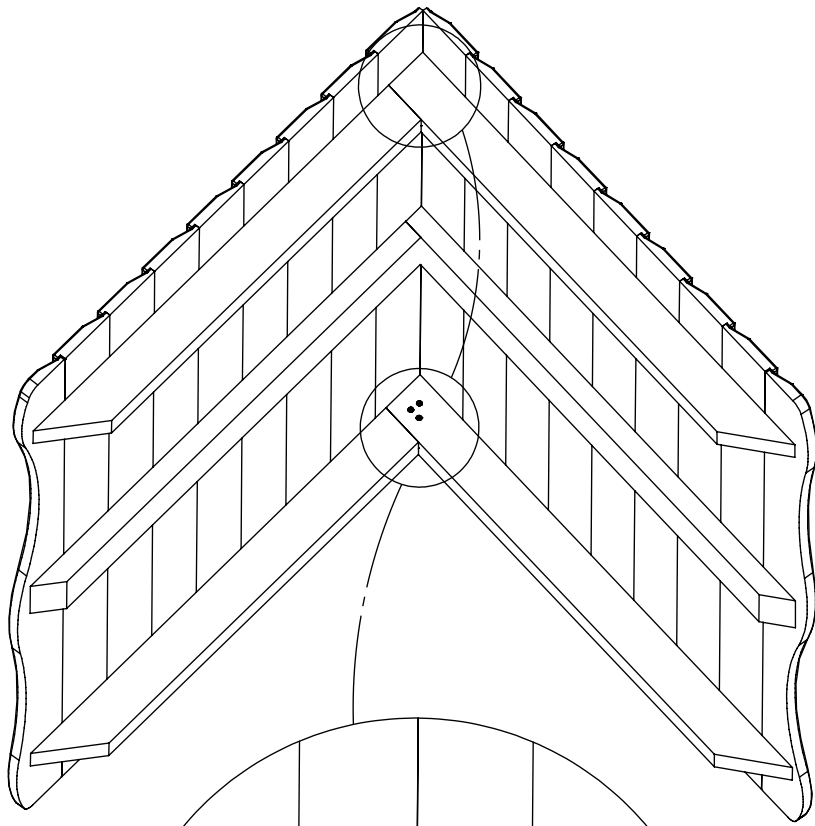


1x 12e004

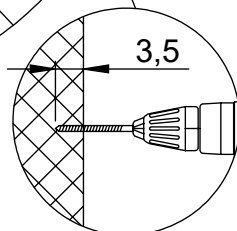


[cm]

vinci play



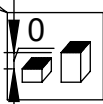
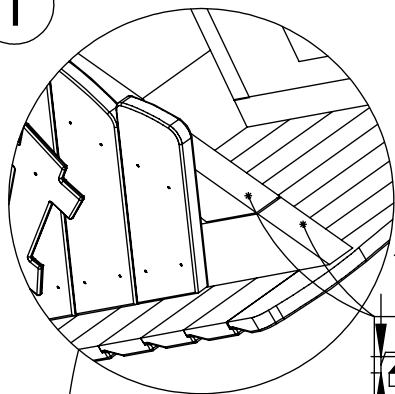
6x 7x35 sxi



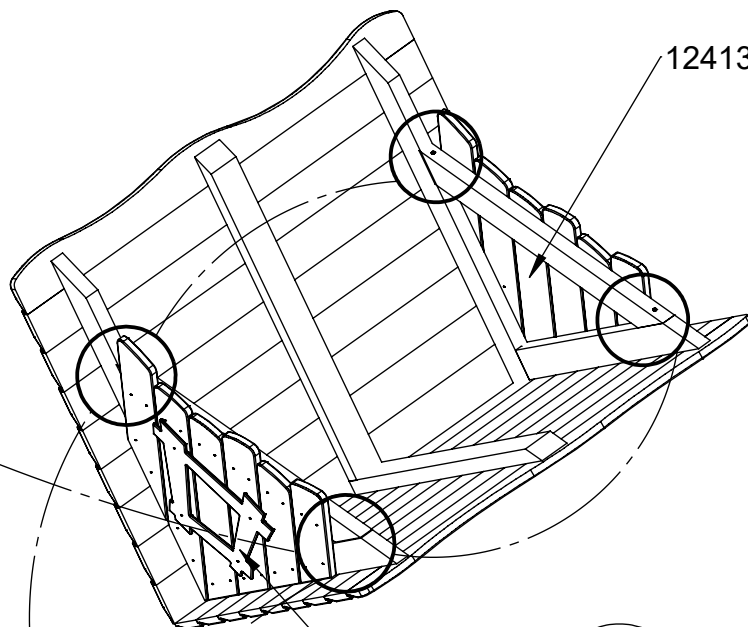
[cm]

vinci
play

1

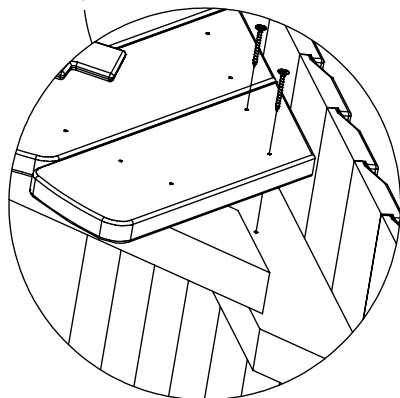
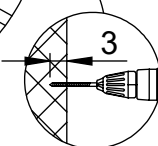
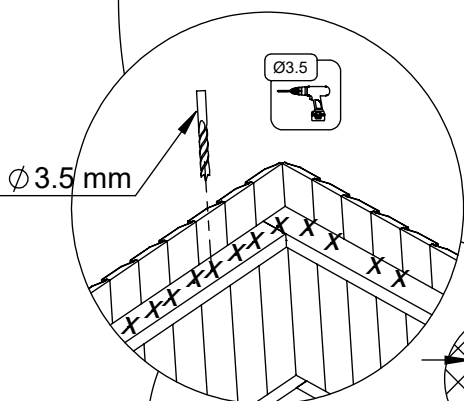
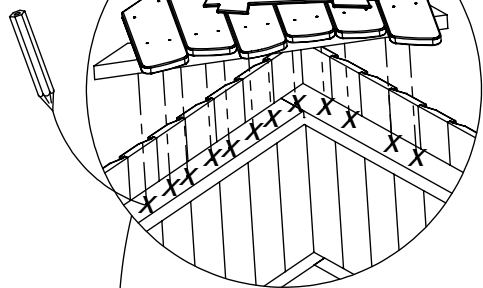
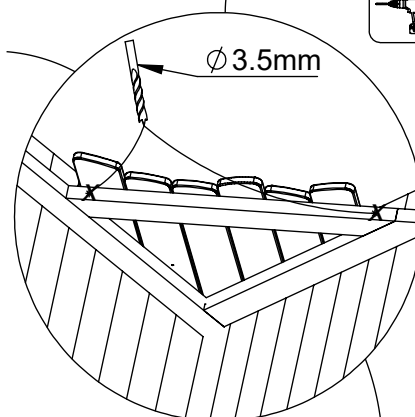
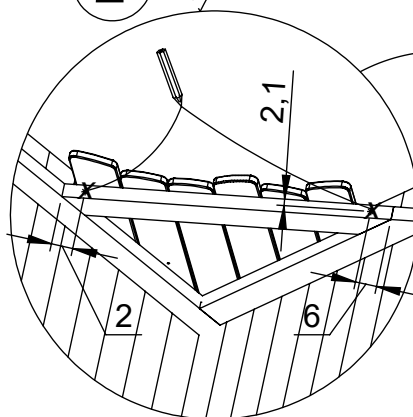
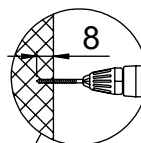


124132

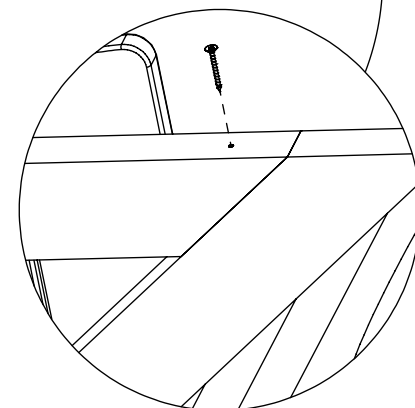


124135

2



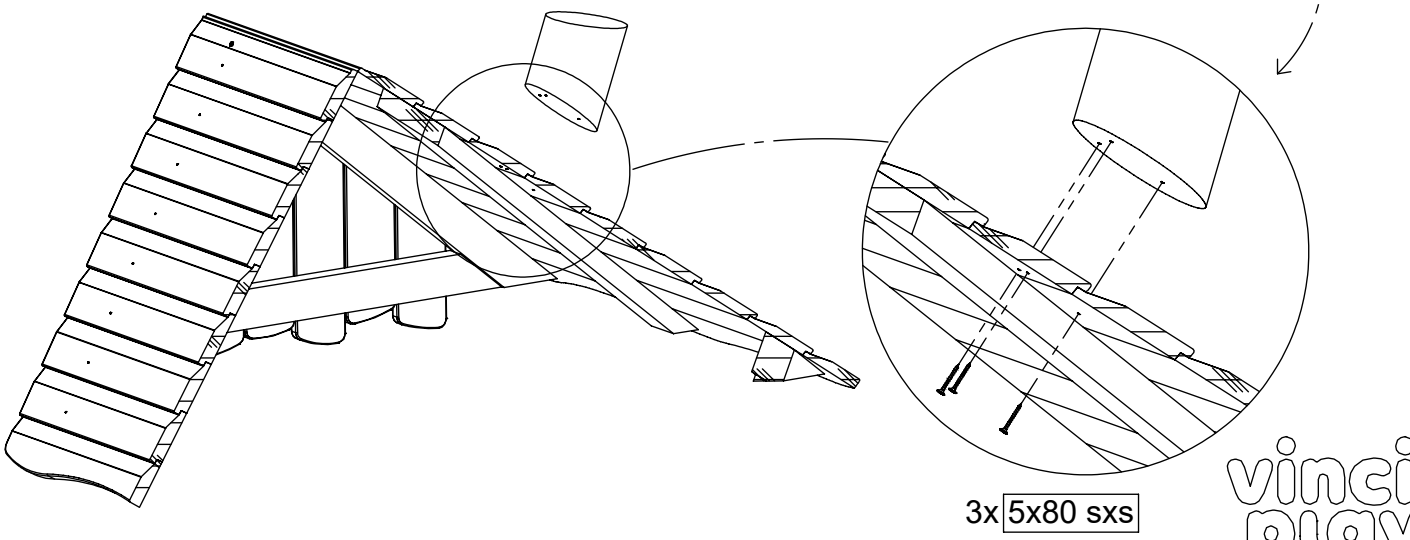
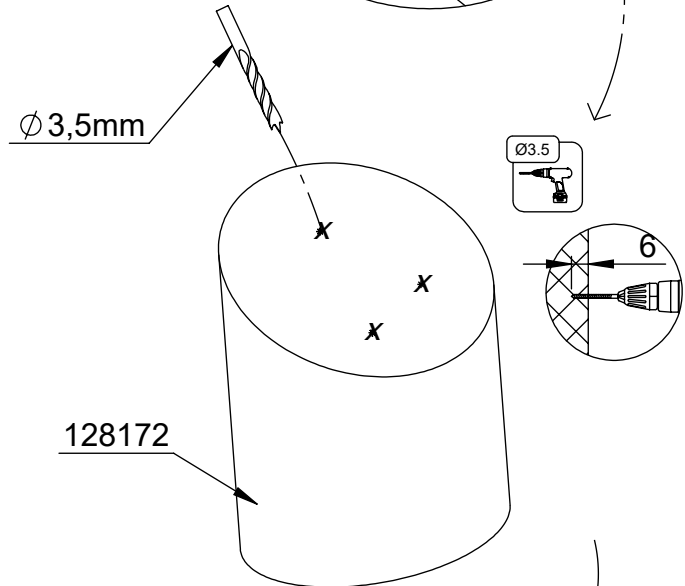
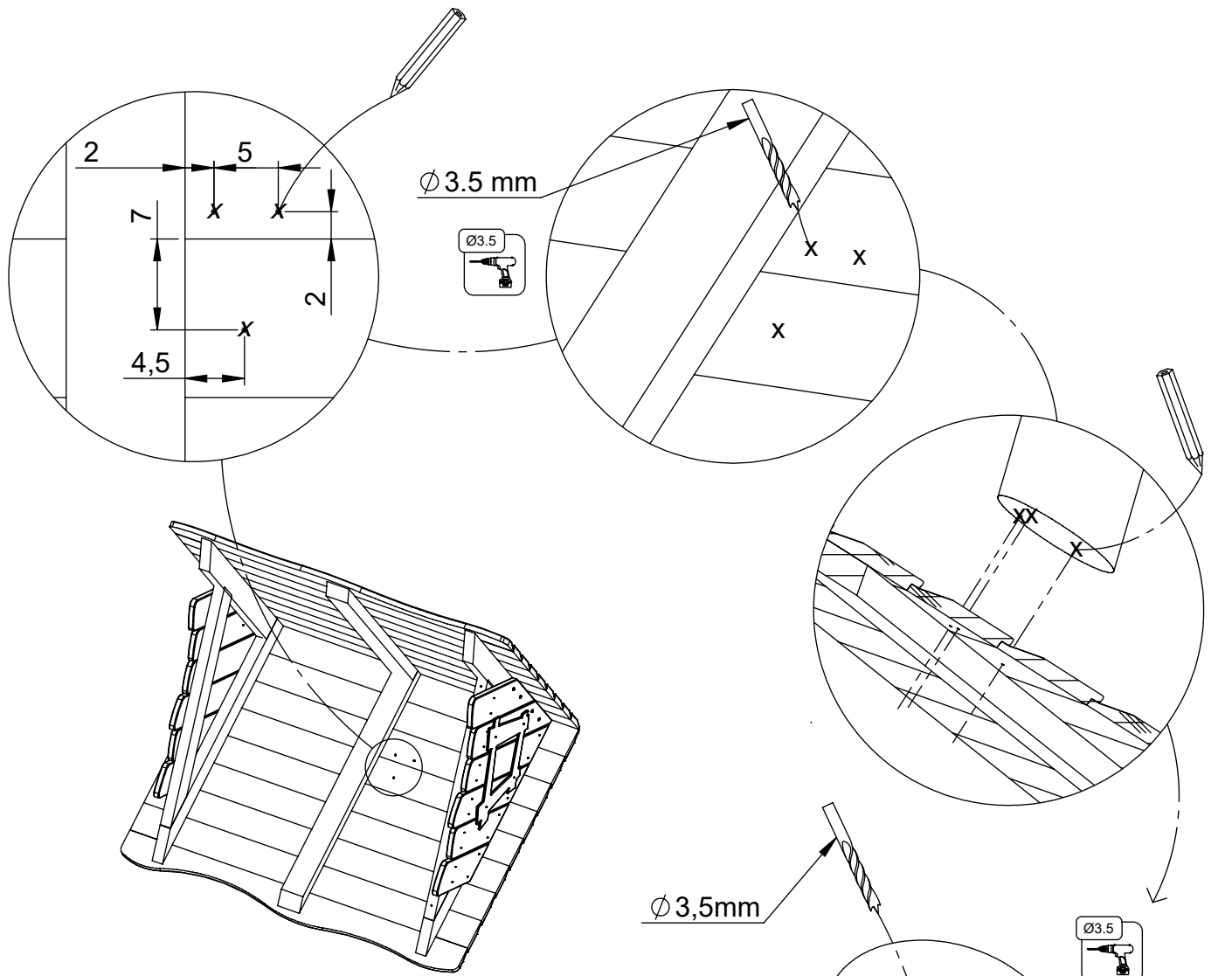
24x 5x50sxs



4x 5x80sxs

[cm]

vinci play

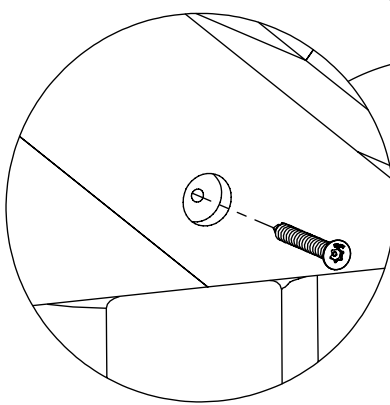
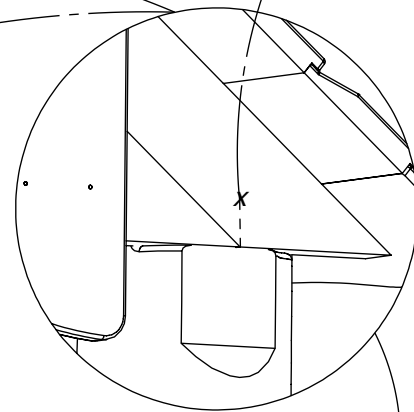
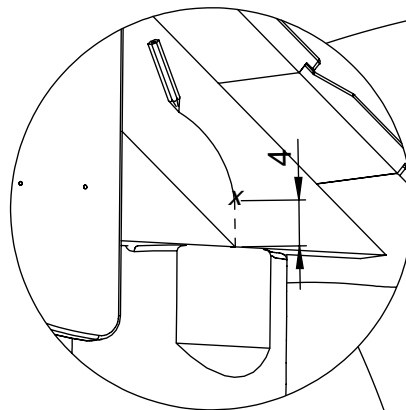
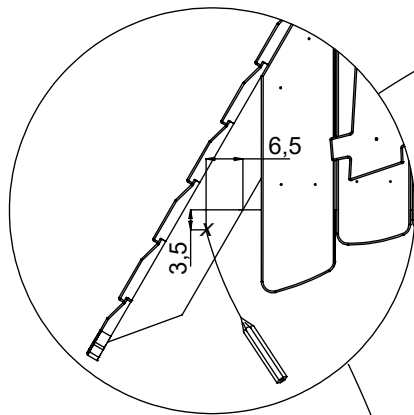


[cm]

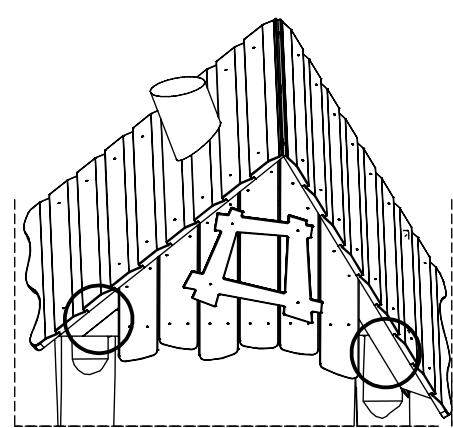
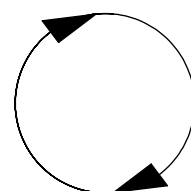
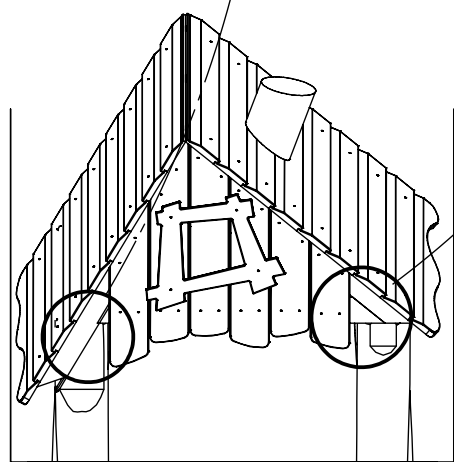
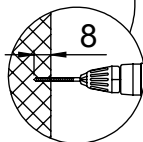
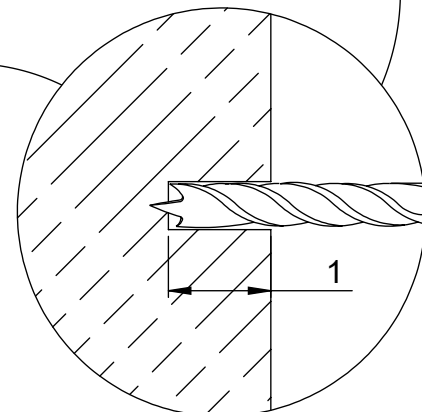
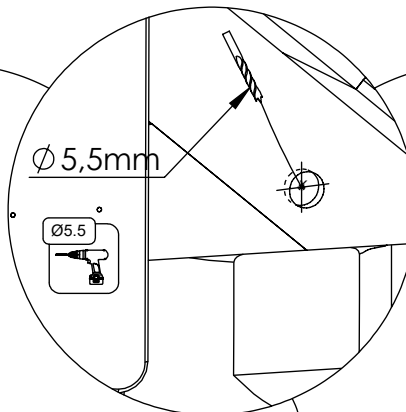
vinci play



Ø 24 mm

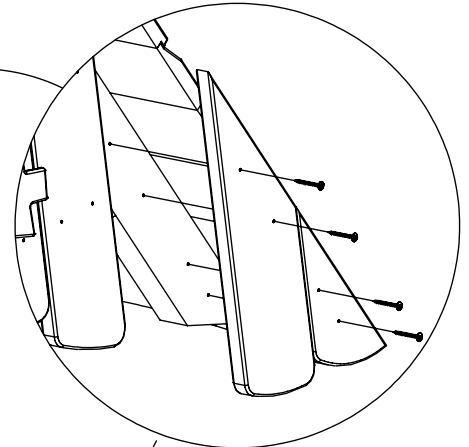
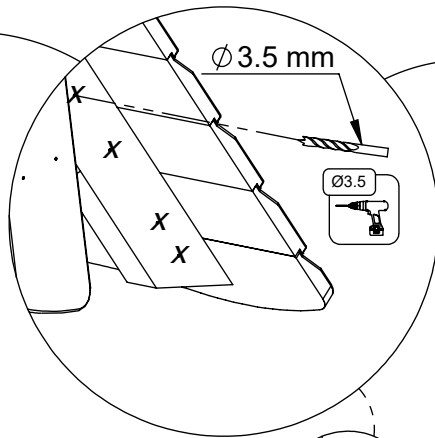
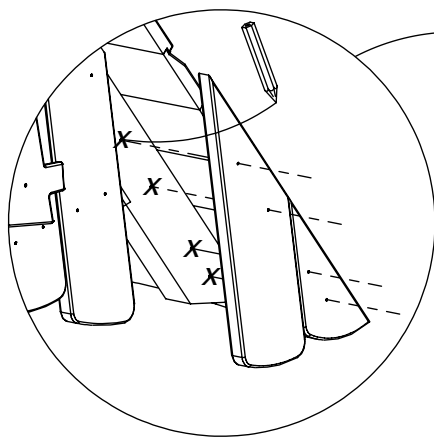


4x 8x80sxt

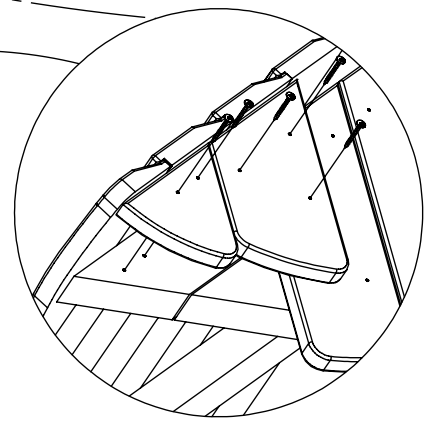
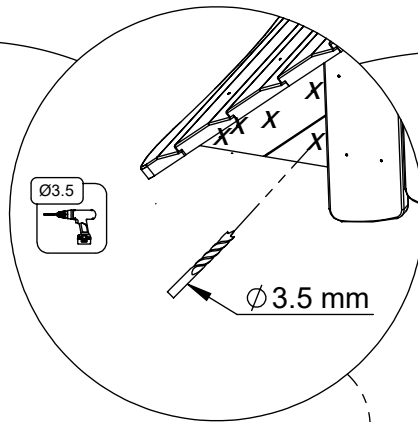
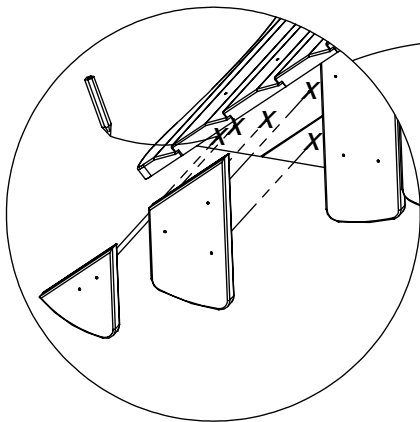
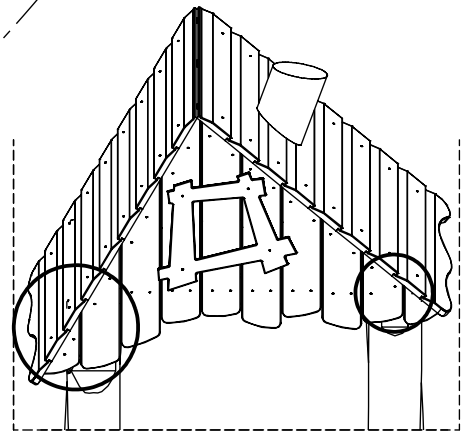
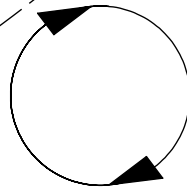
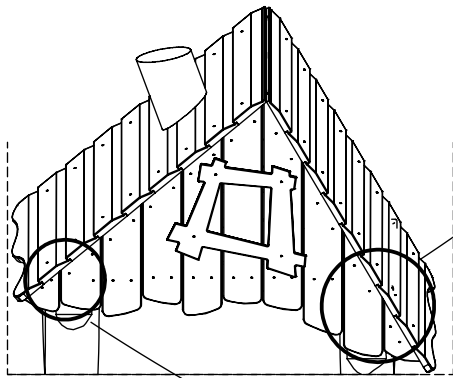
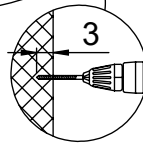


[cm]

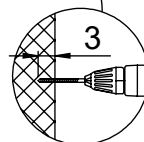
vinci play



8x 5x50sxs

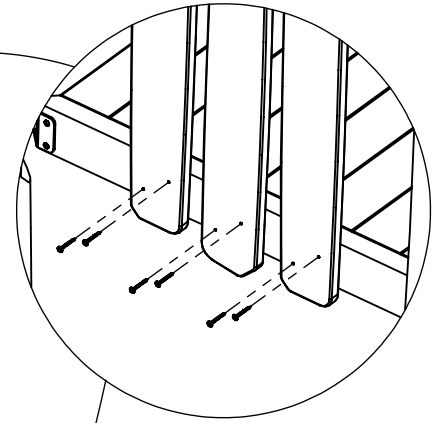
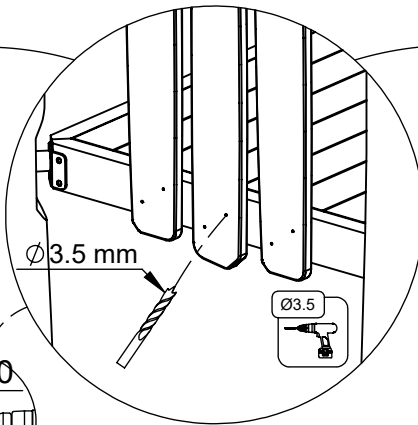
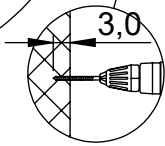
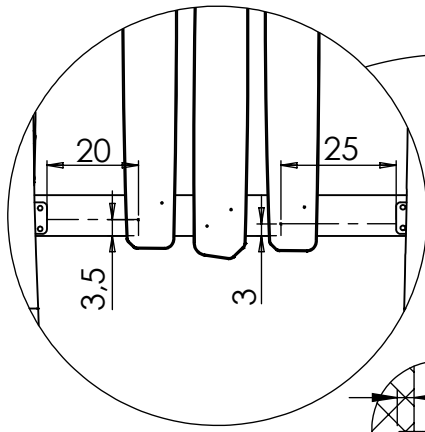


10x 5x50sxs

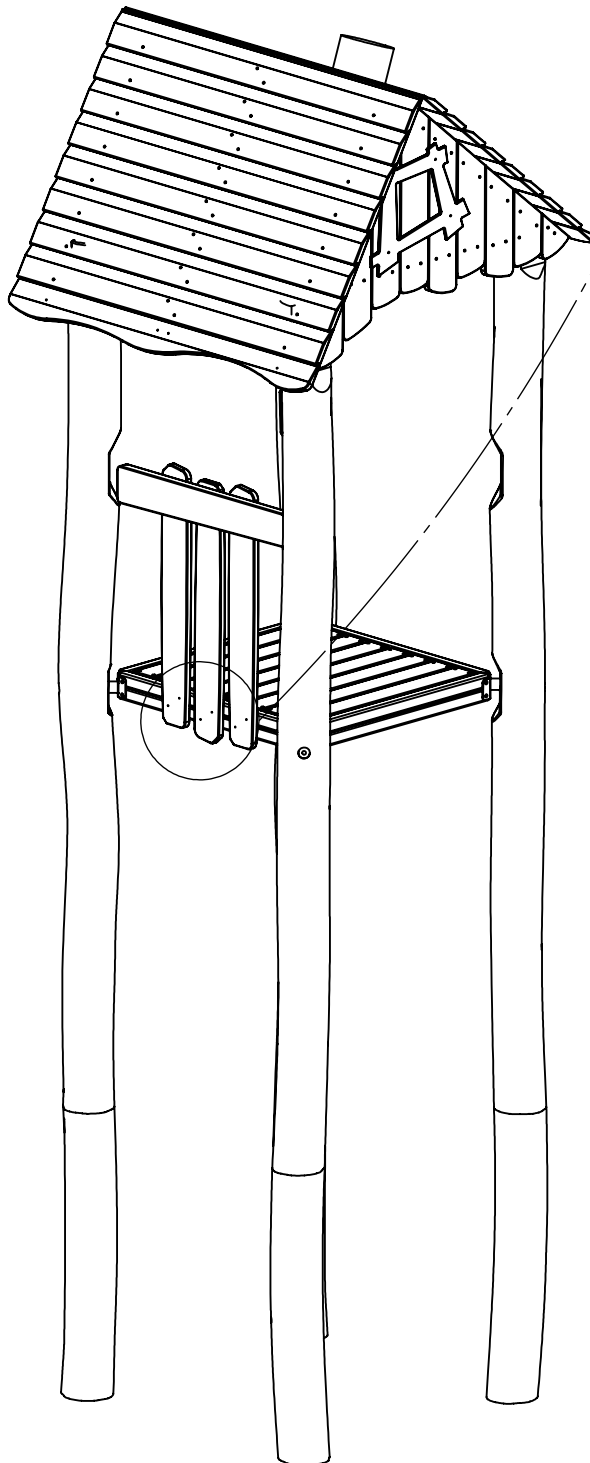


[cm]

vinci
play

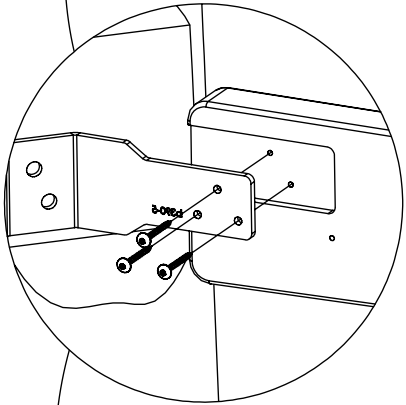
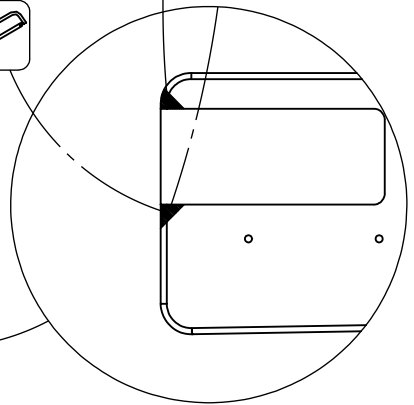
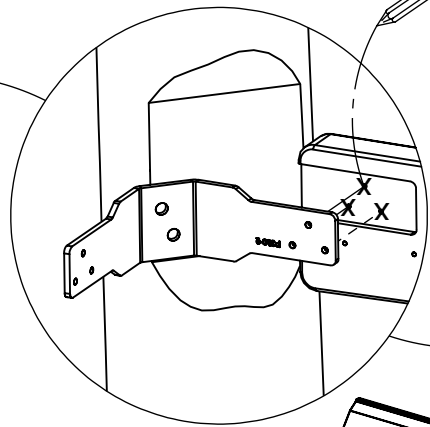
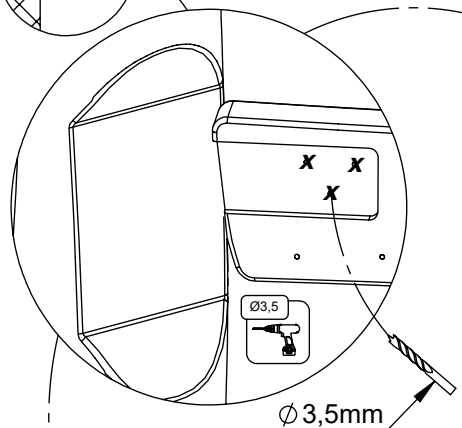
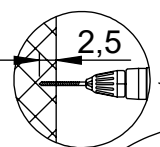
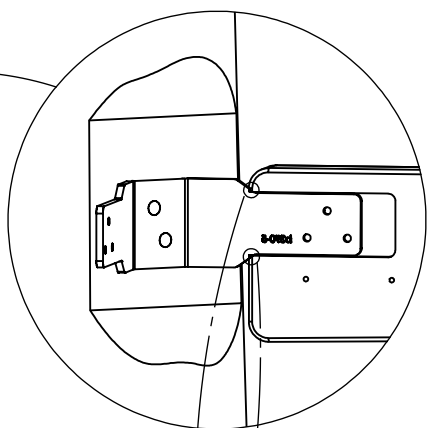
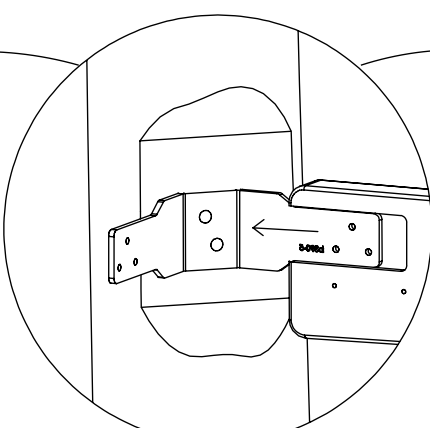
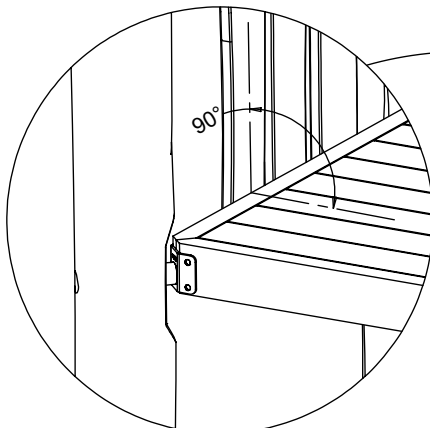


6x 5x50sxs

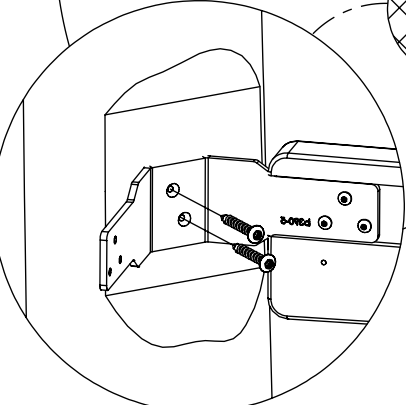
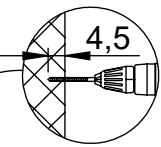


[cm]

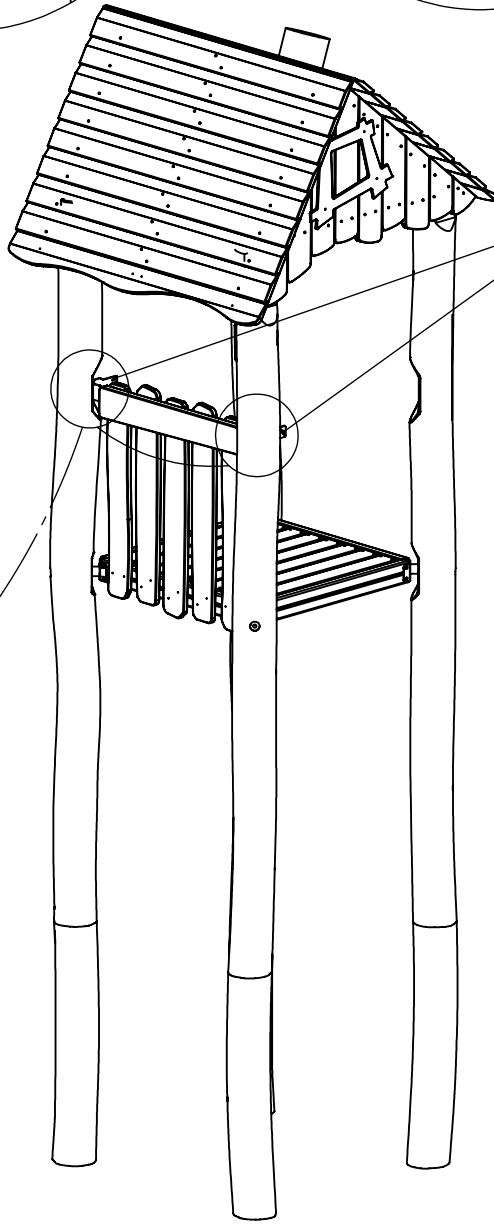
vinci
play



6x 5x30sxs



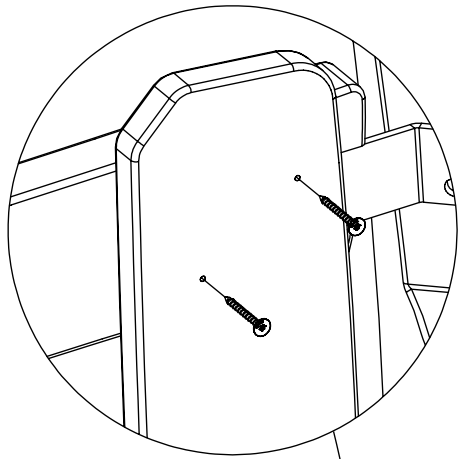
4x 8x50sxi



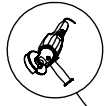
b390

[cm]

vinci play

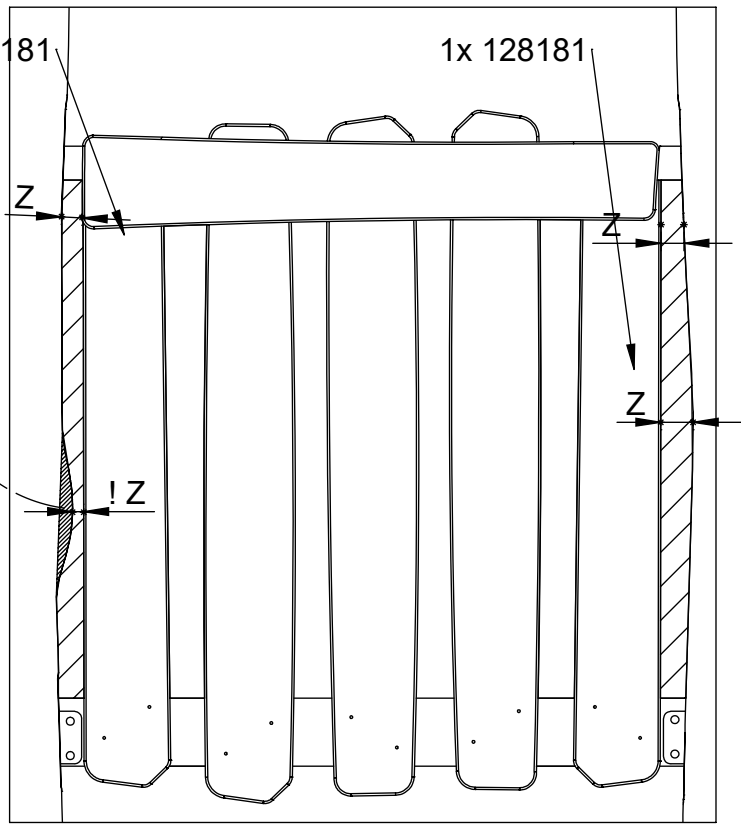


4x 5x50sxs

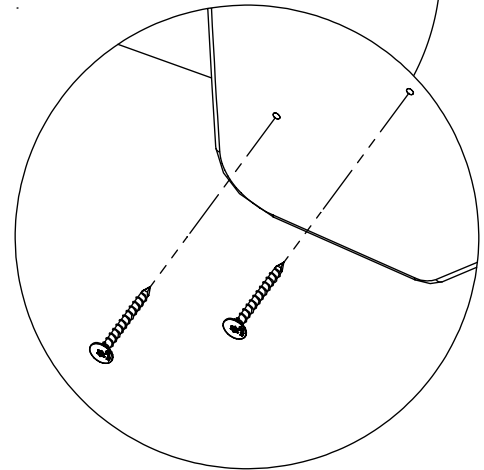
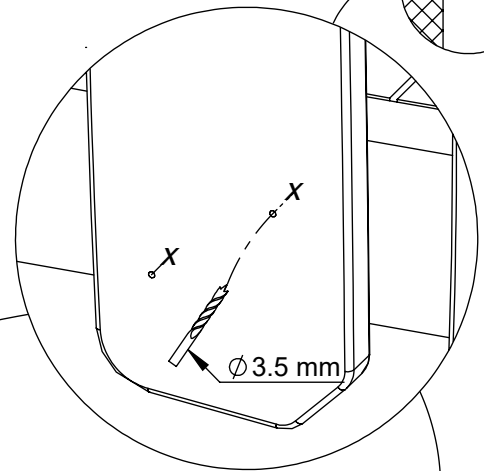
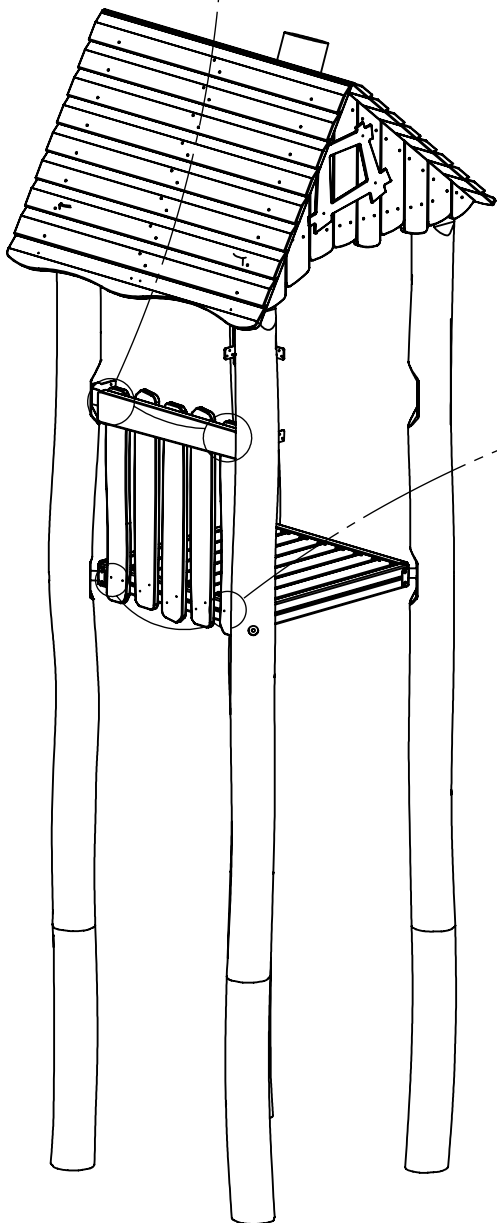
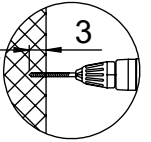


1x 128181

1x 128181



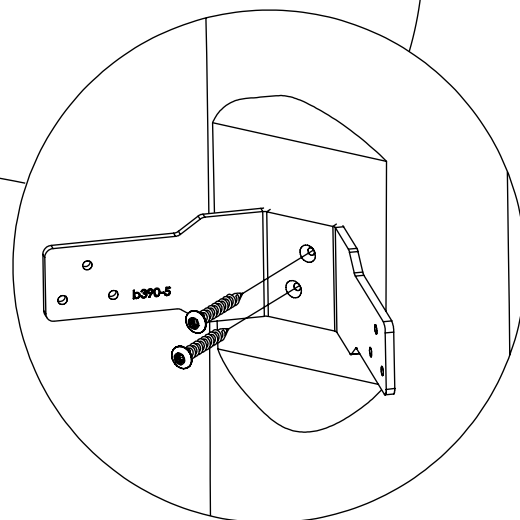
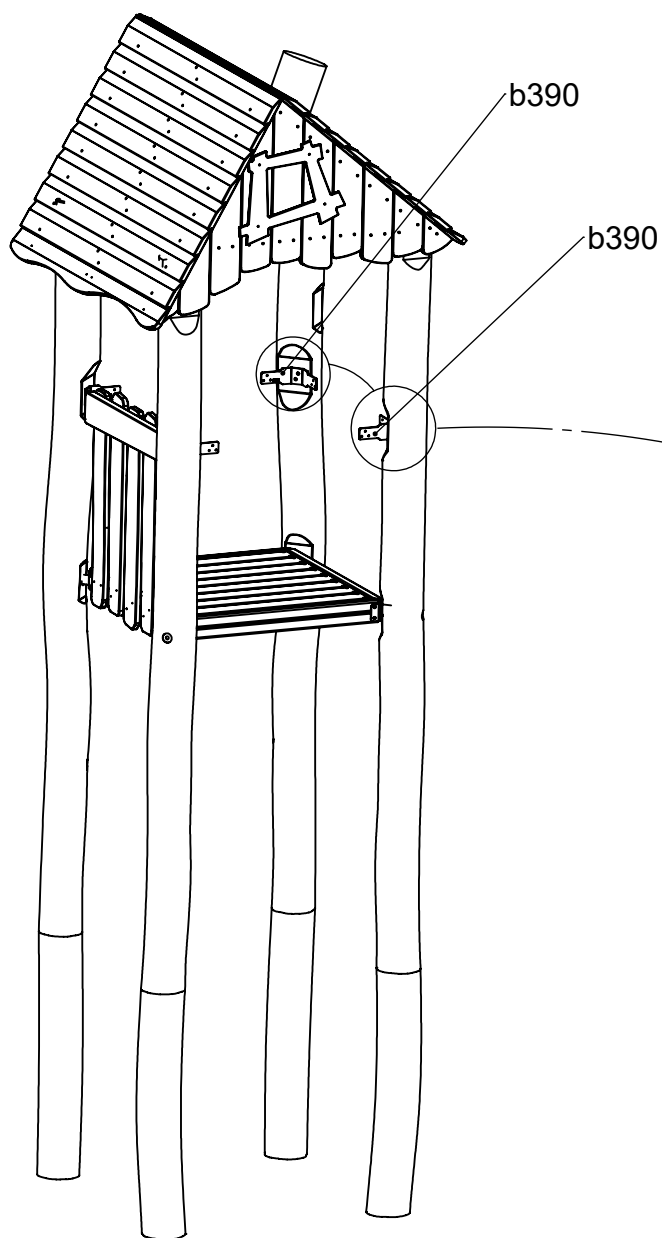
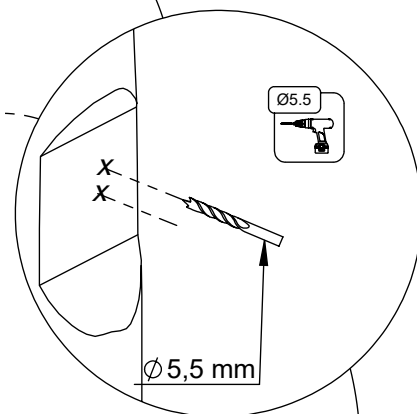
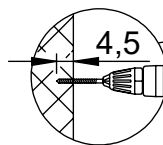
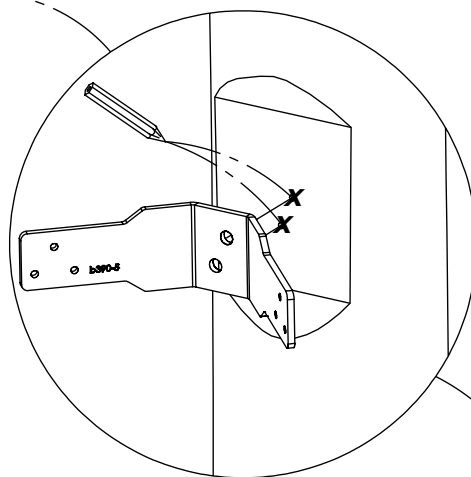
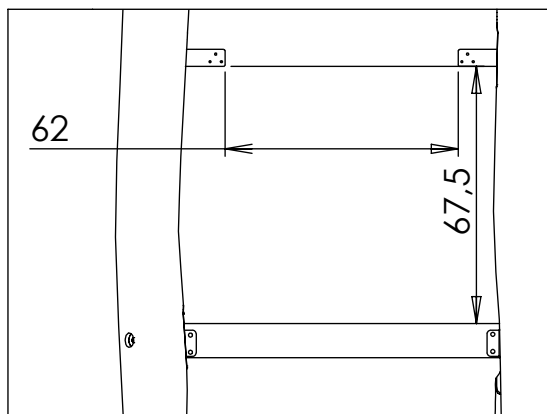
! 30mm < Z < 85mm



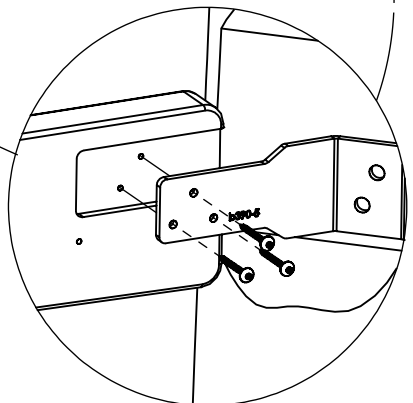
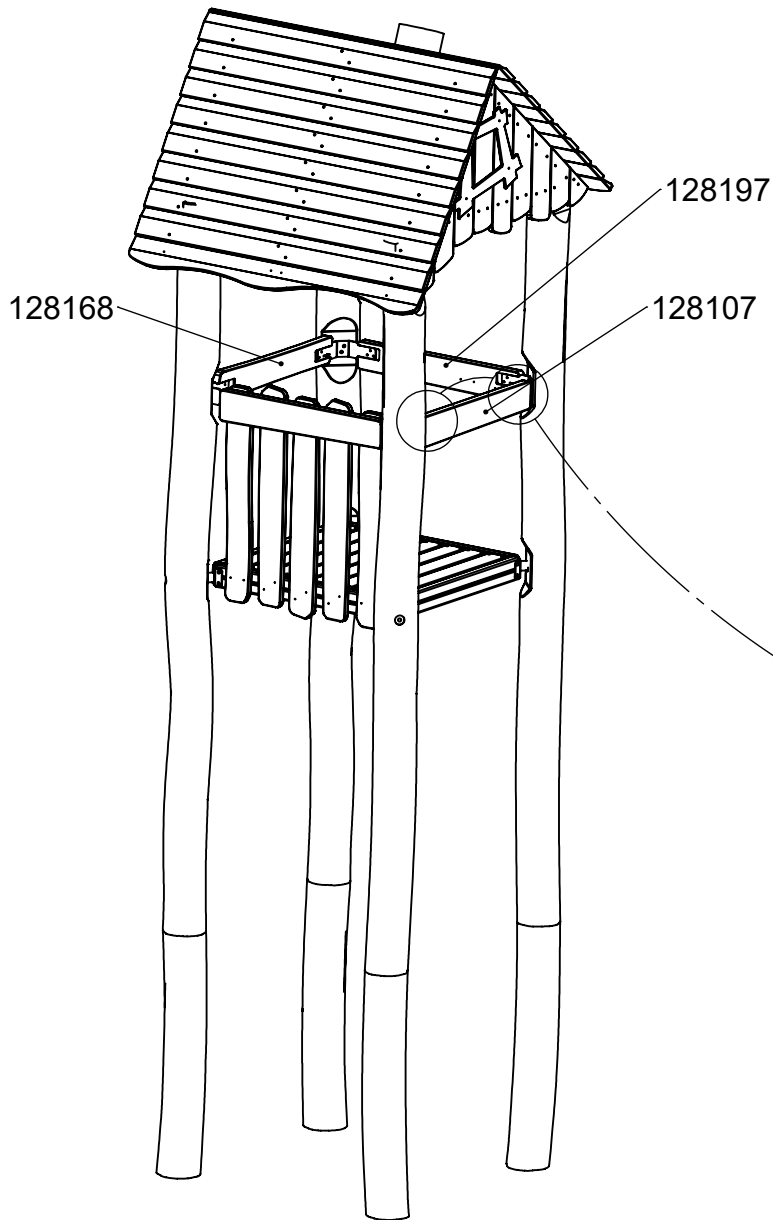
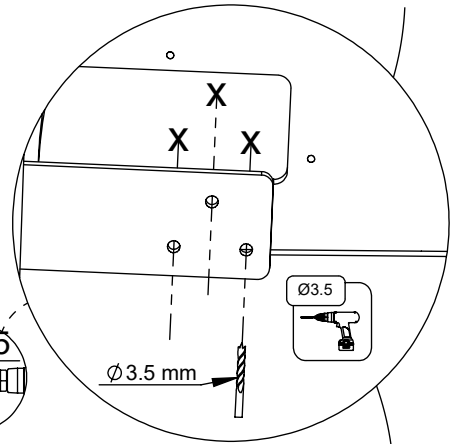
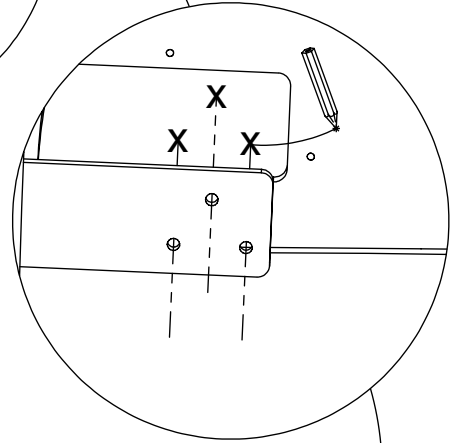
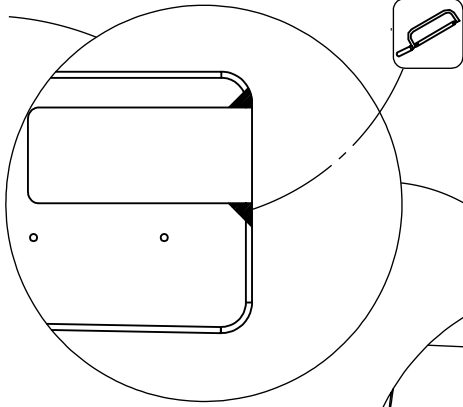
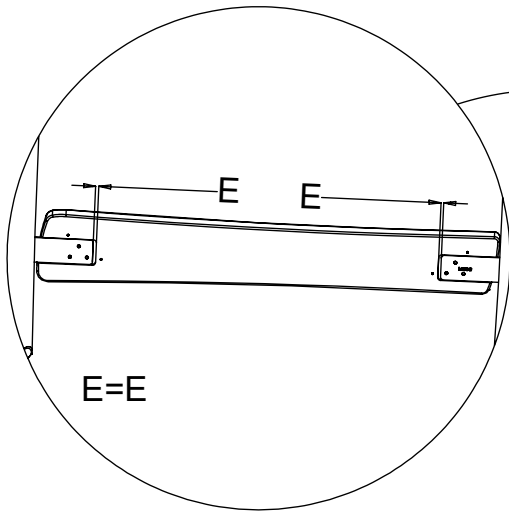
4x 5x50sxs

vinci play

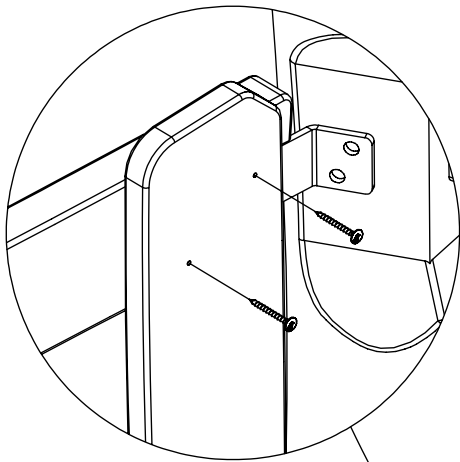
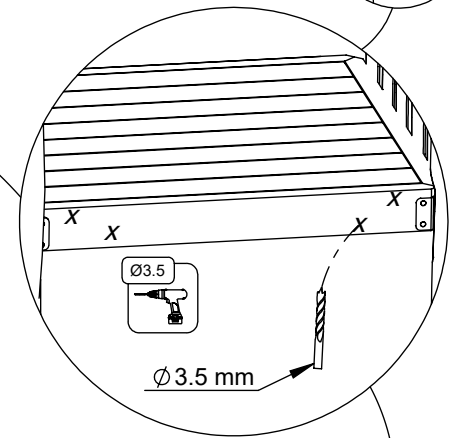
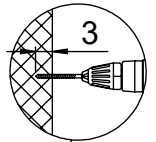
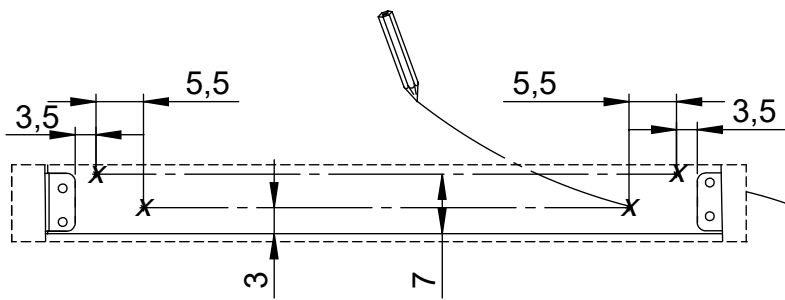
[cm]



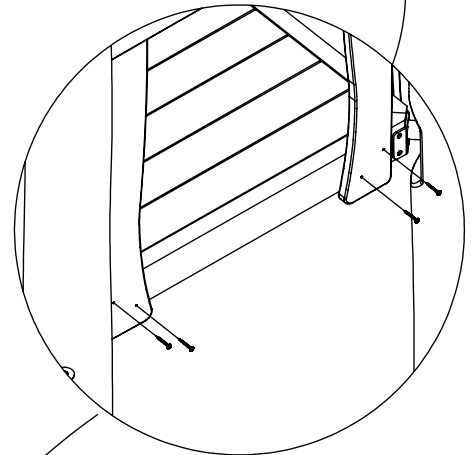
4x 8x50sxi



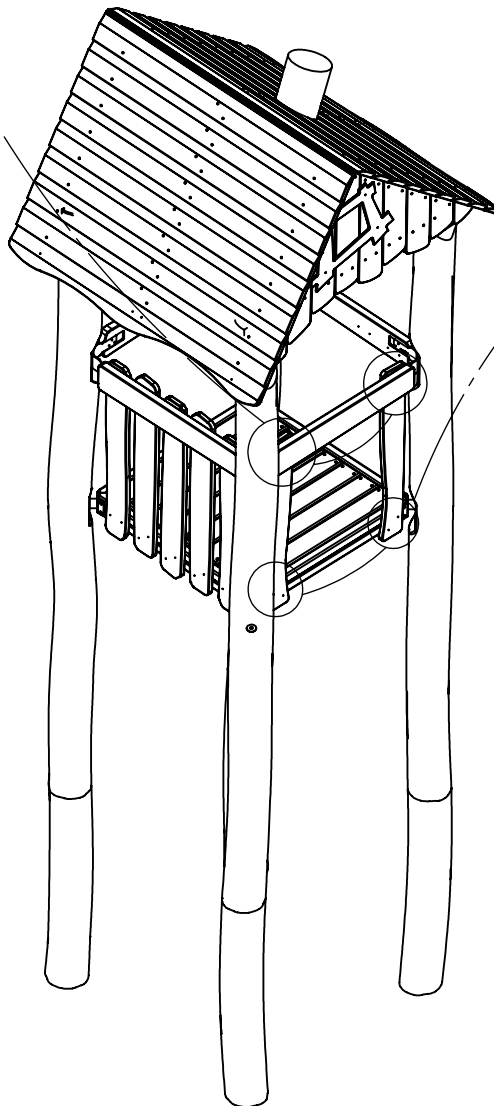
18x5x30sxs



4x 5x50sxs

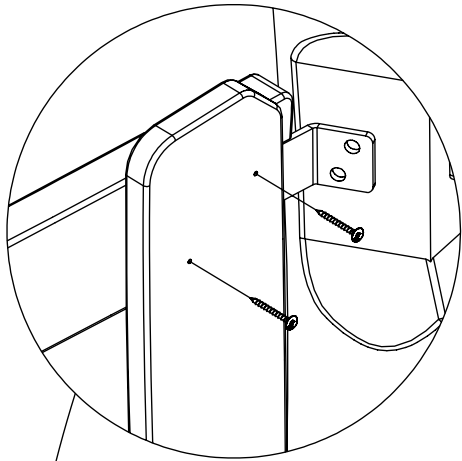


4x 5x50sxs

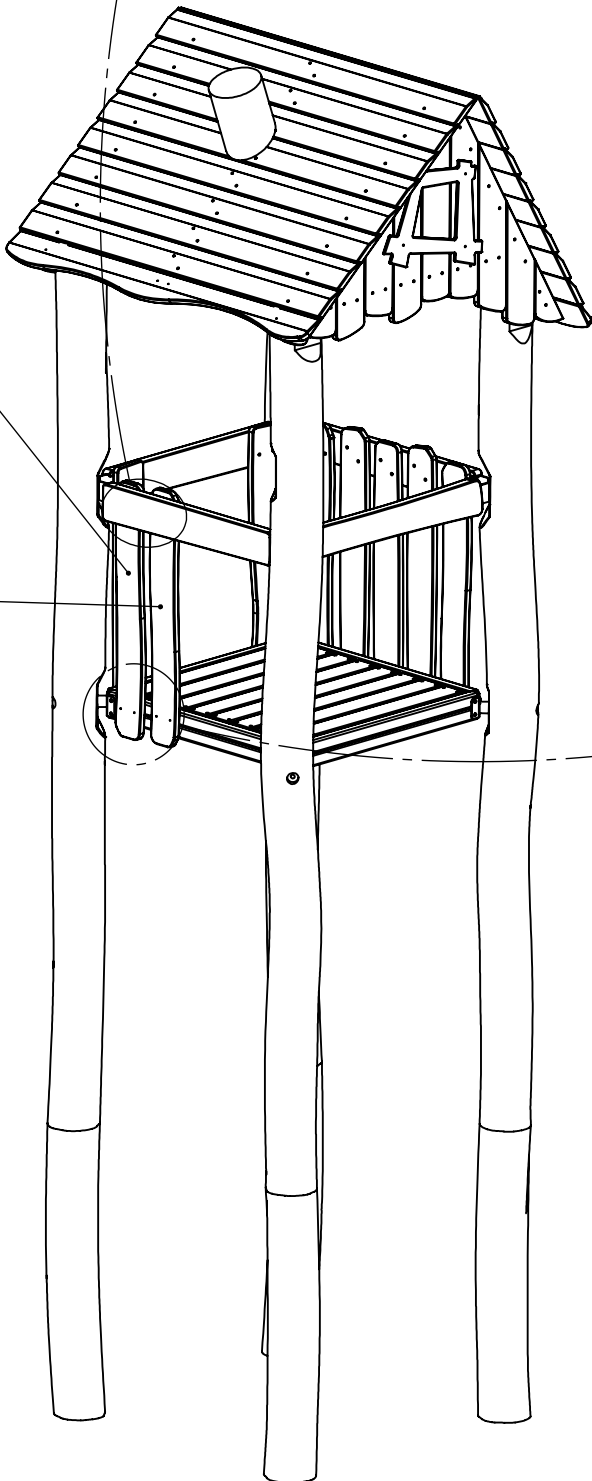
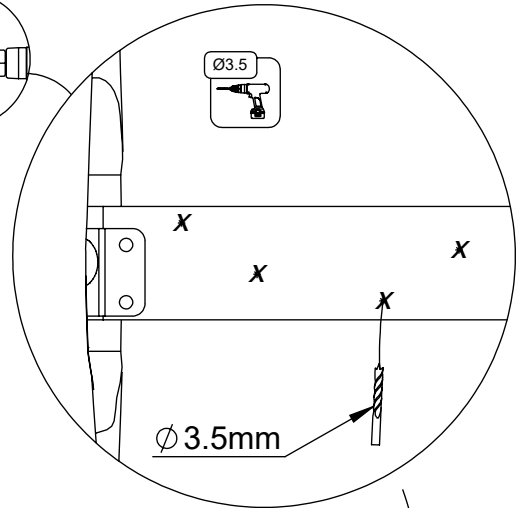
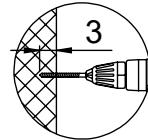


[cm]

vinci
play

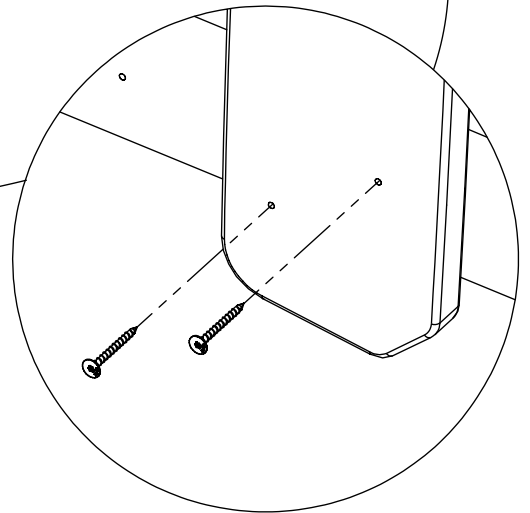


4x 5x50sxs



128181

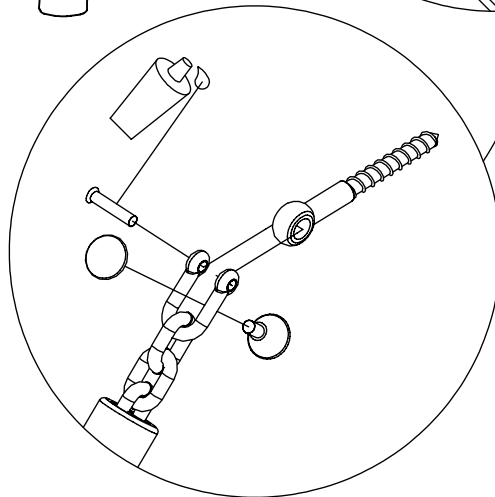
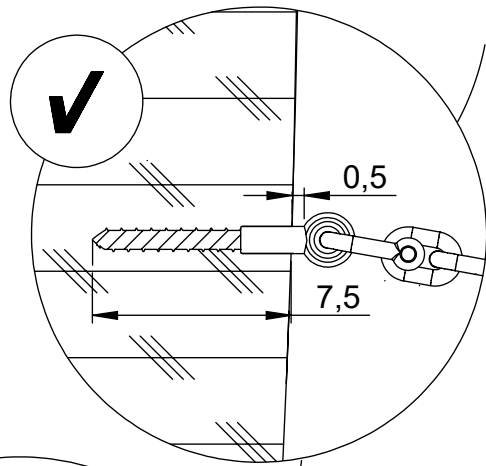
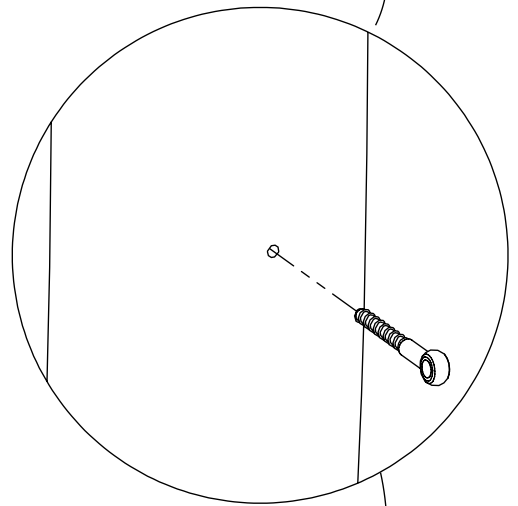
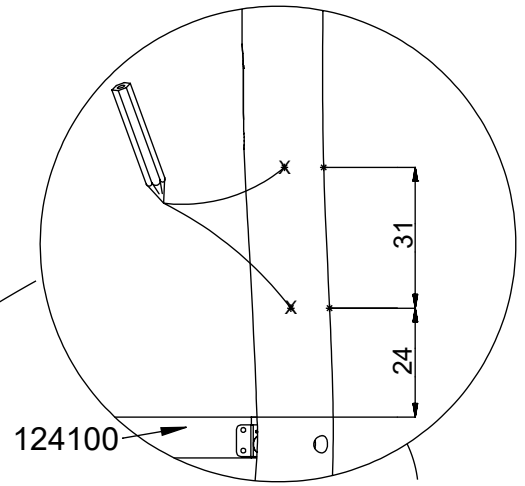
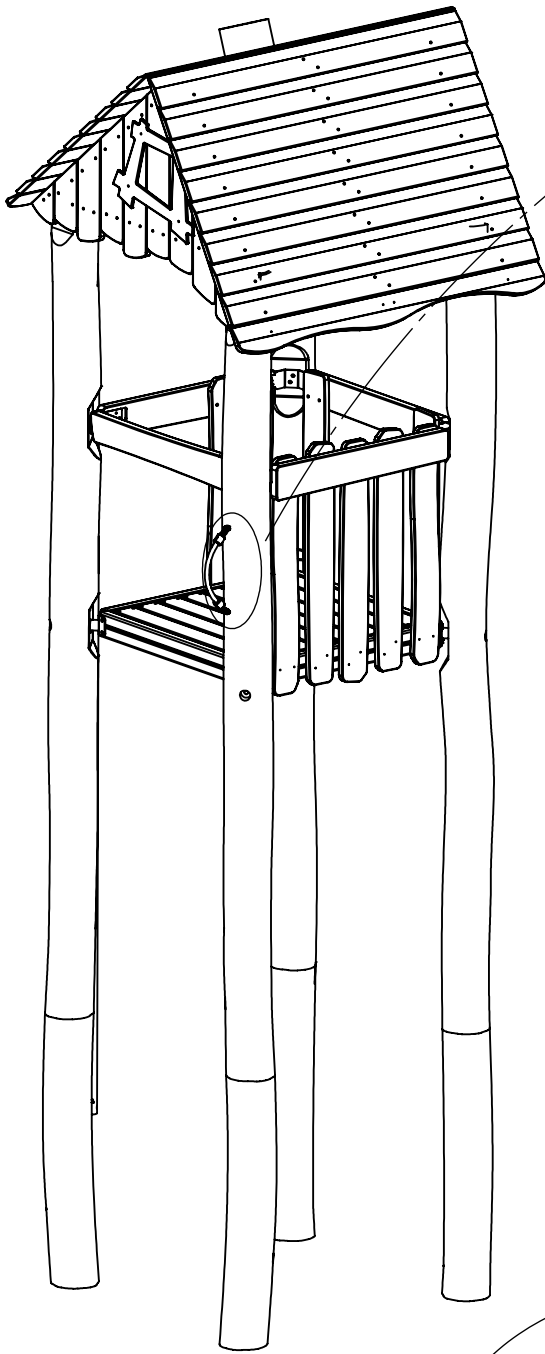
128181



4x 5x50sxs

[cm]

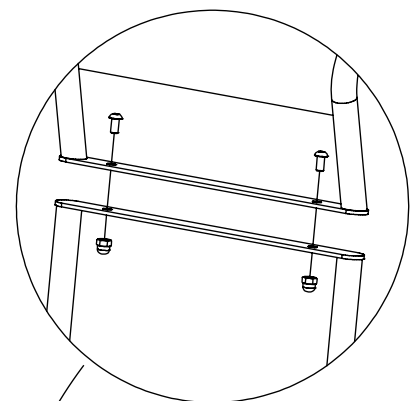
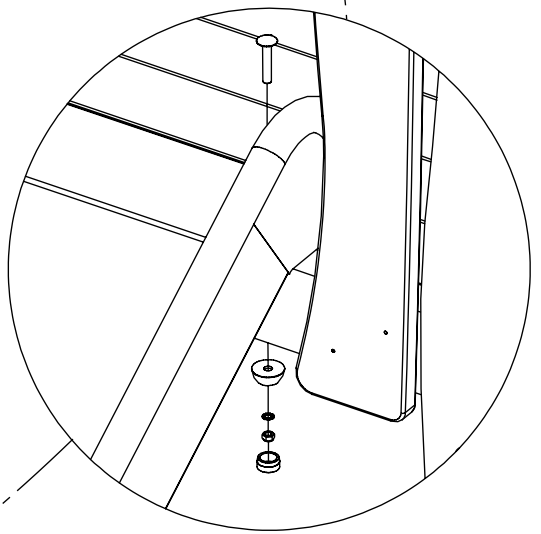
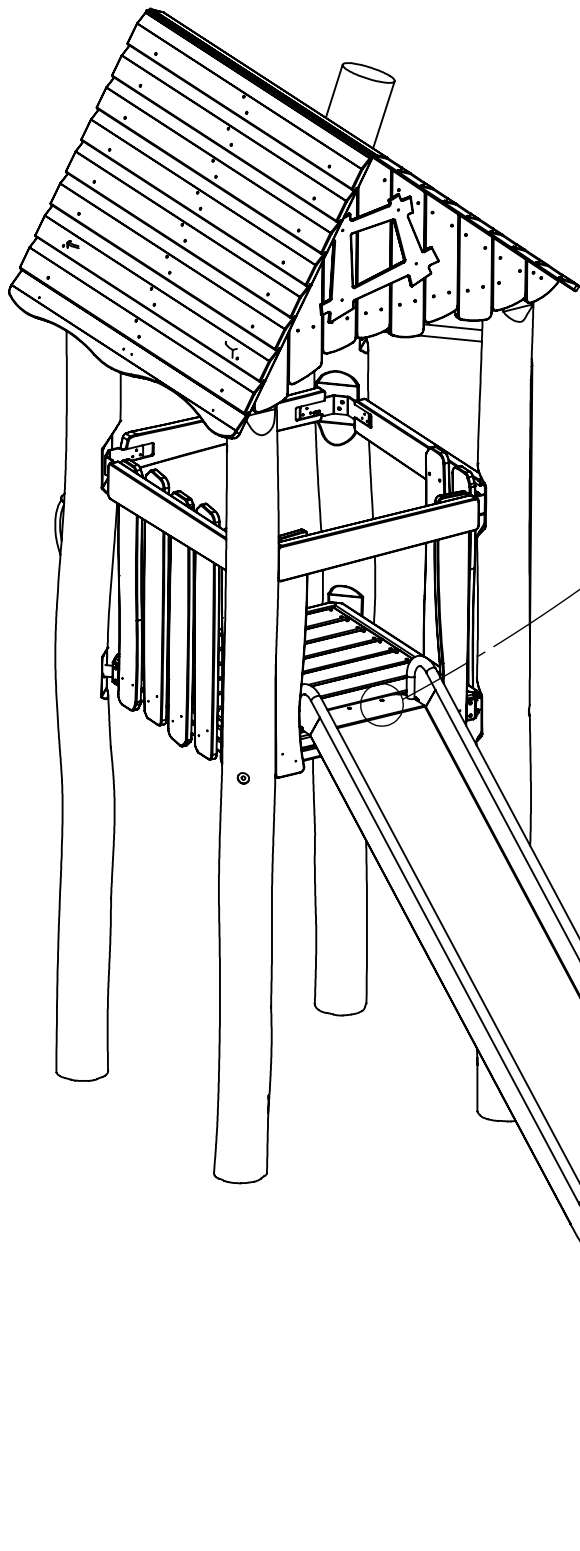
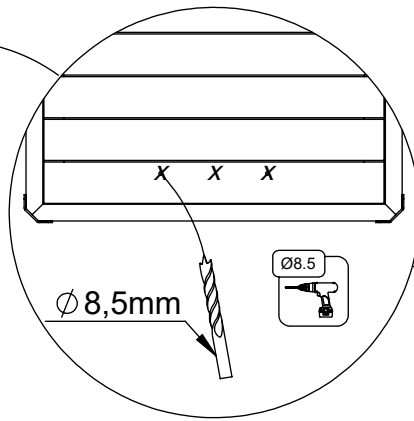
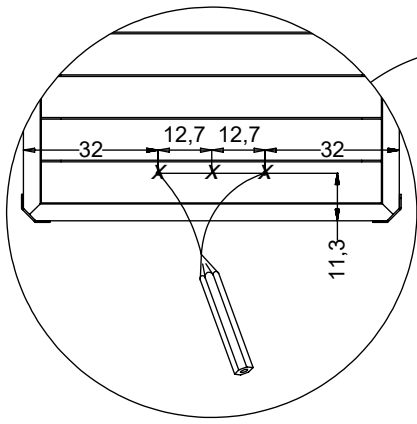
vinci
play

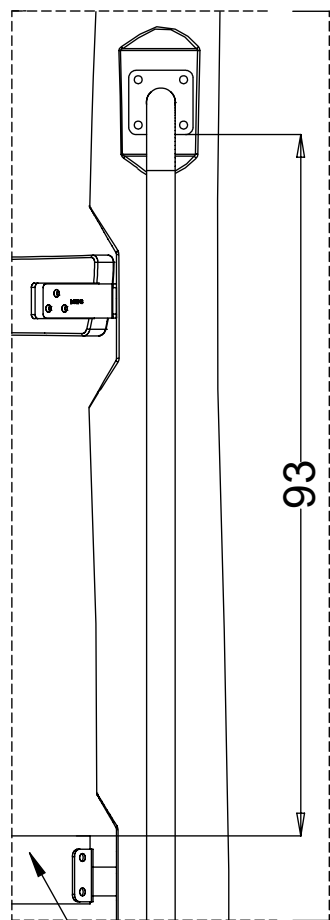


1x **12e007**

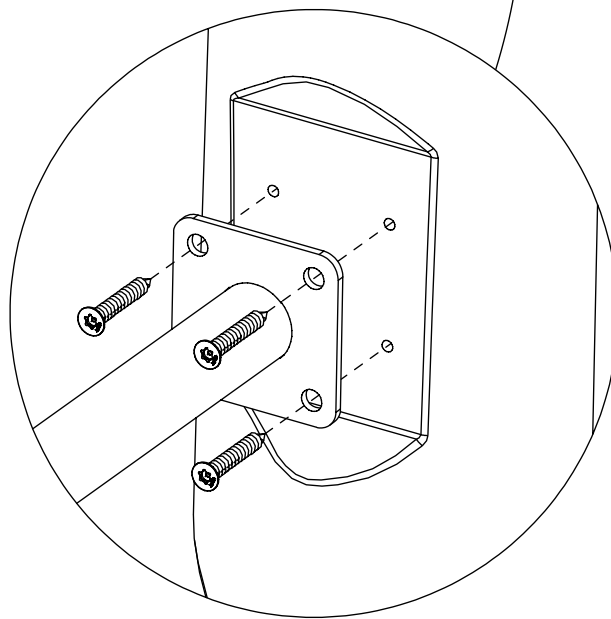
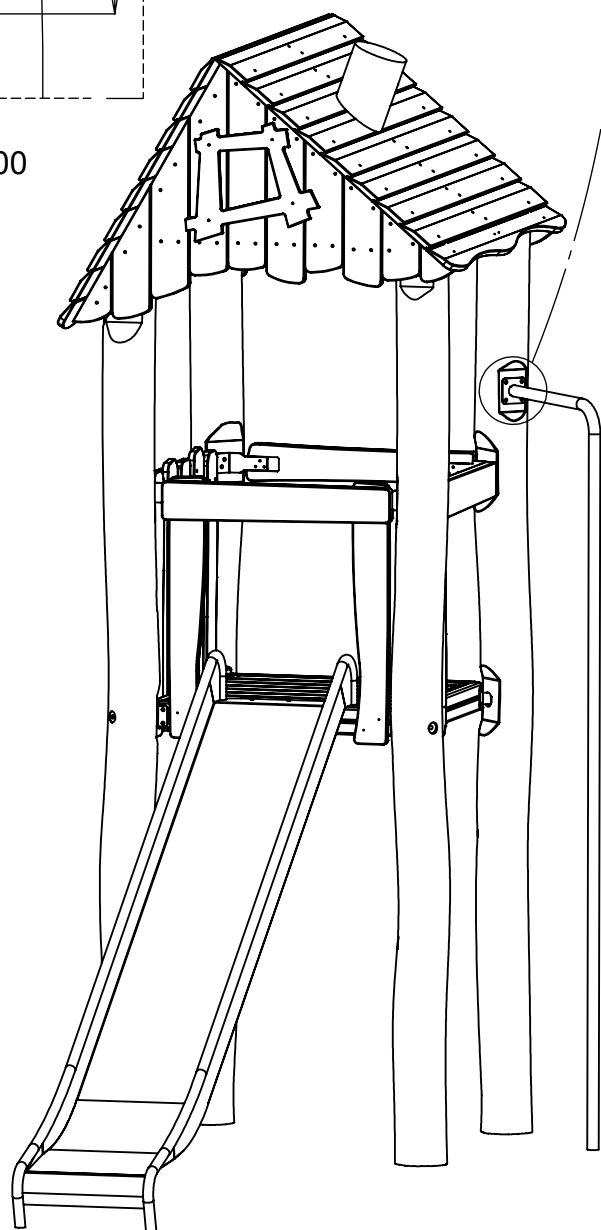
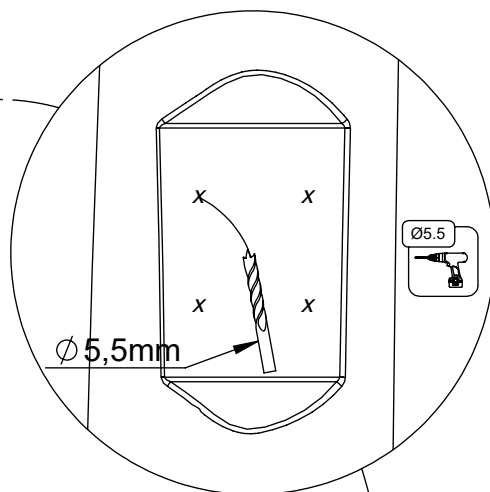
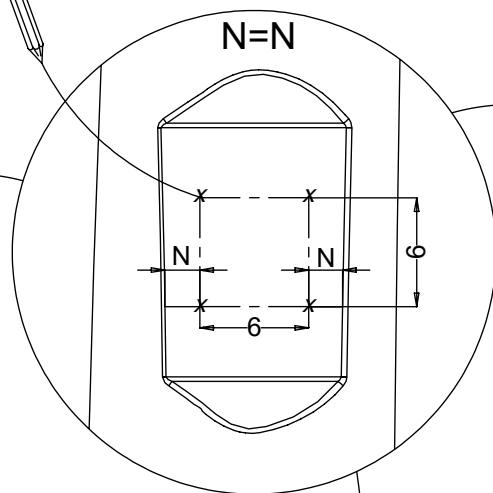
[cm]

vinci
play





124100

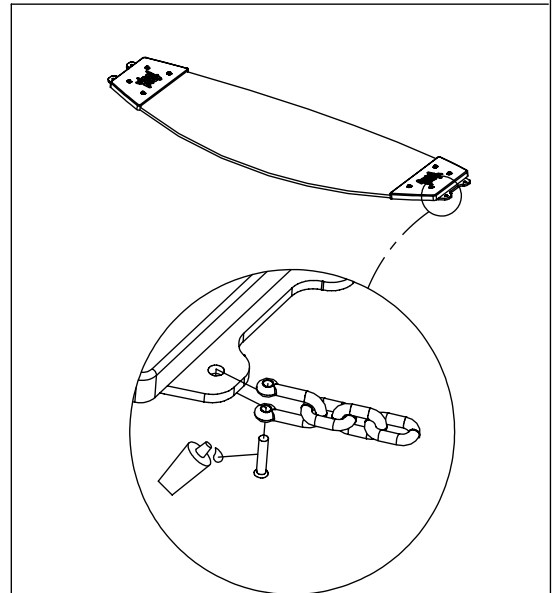
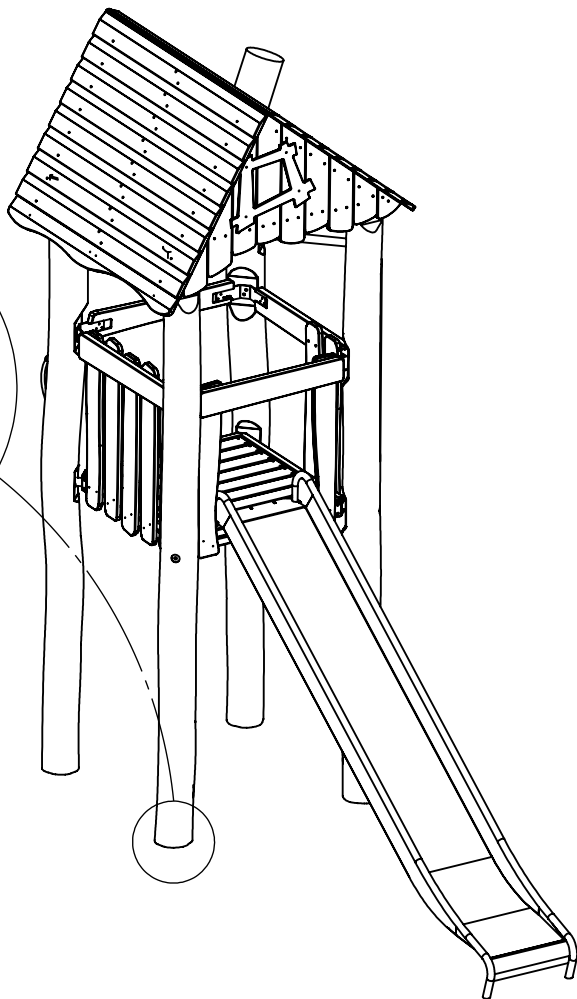
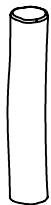
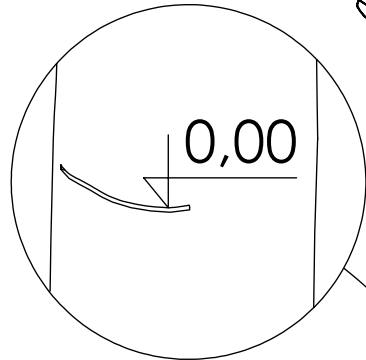


4x 8x50sxi

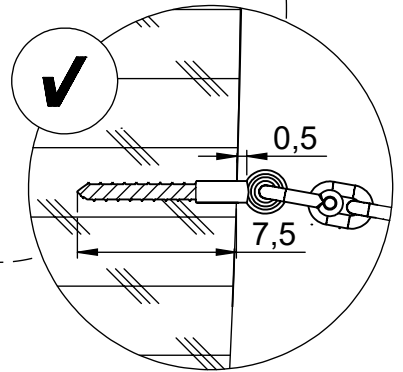
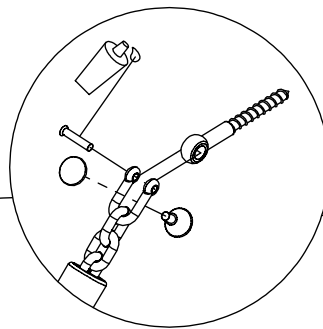
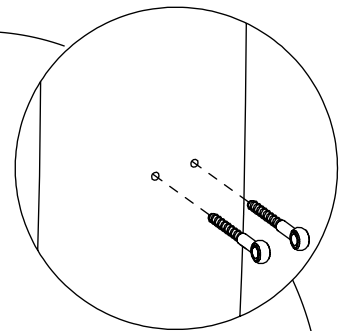
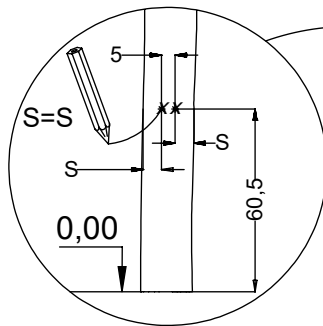
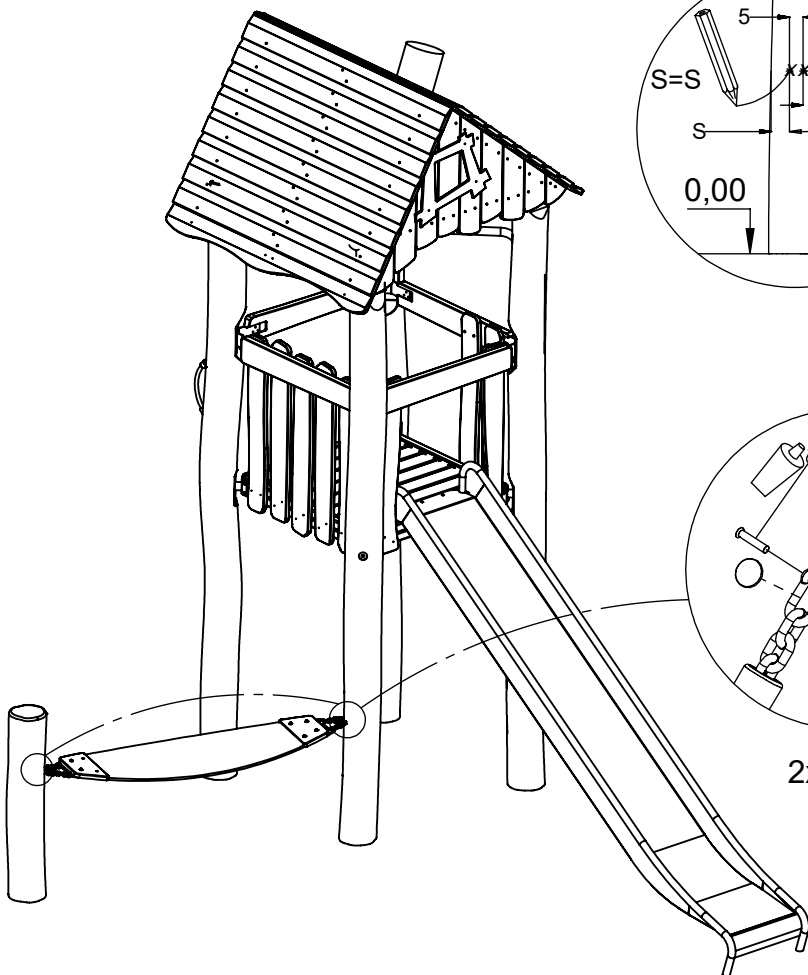
[cm]

vinci
play

48h



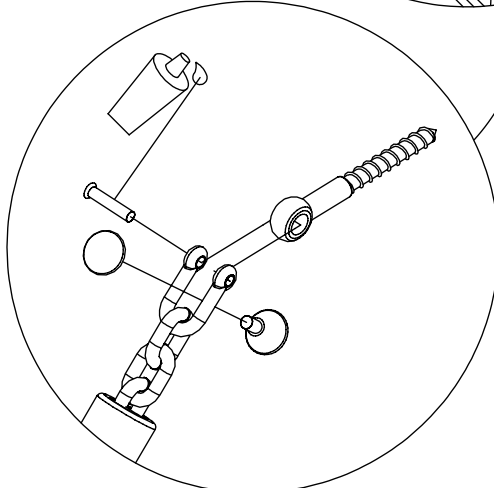
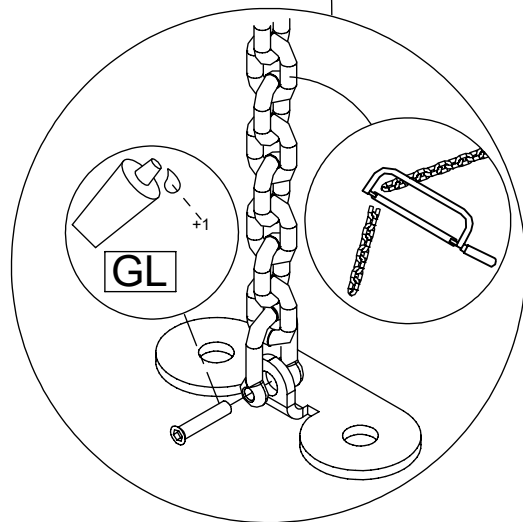
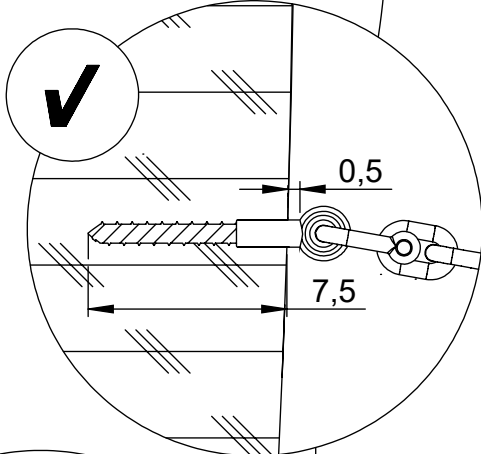
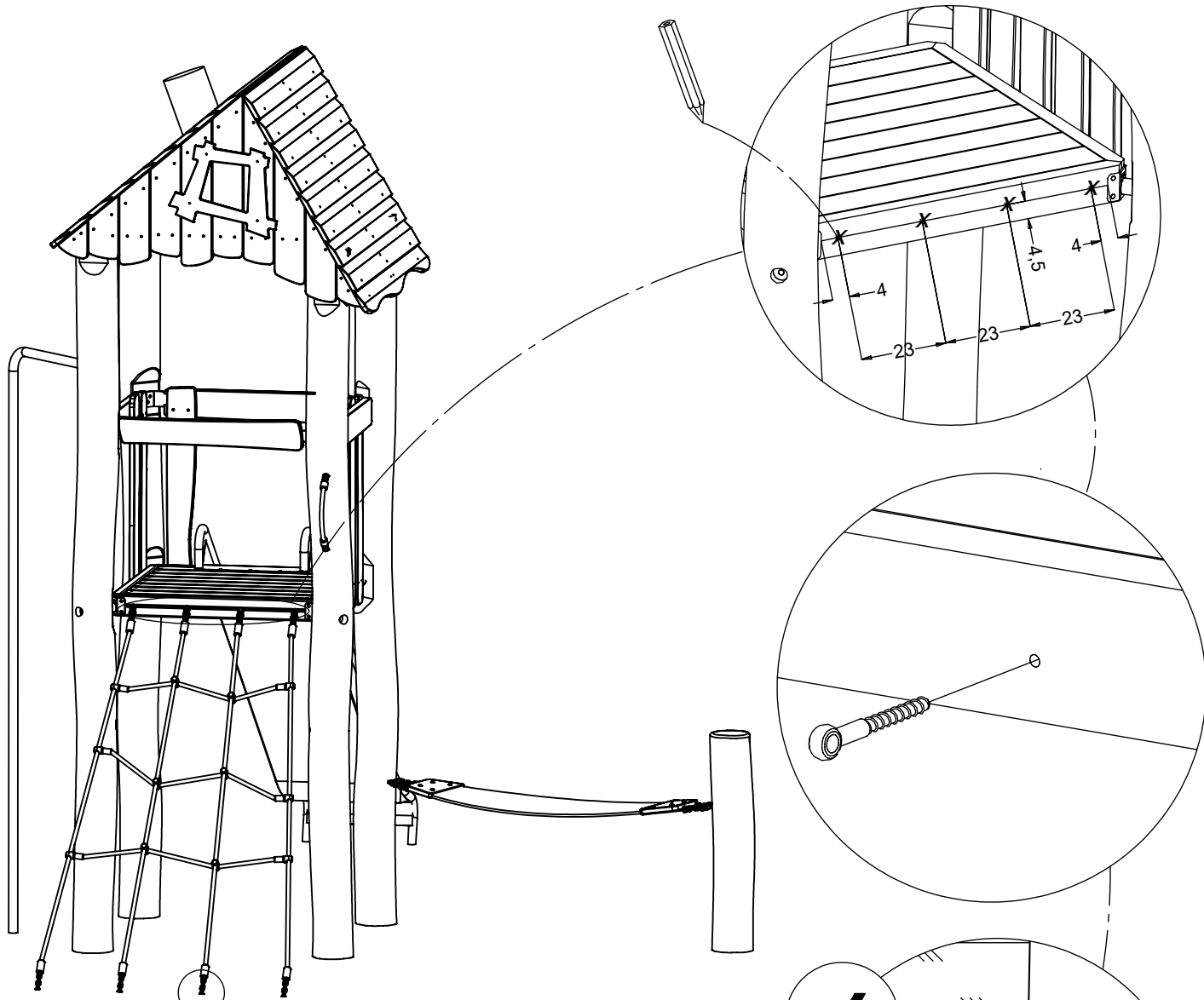
1x 12e024



2x 12e007

[cm]

vinci
play

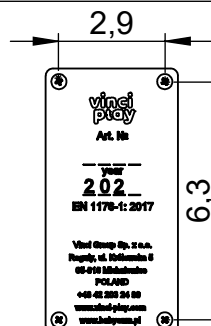
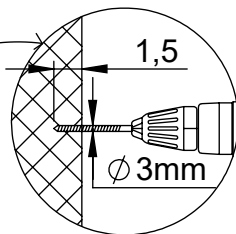
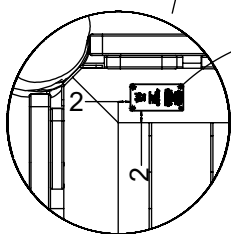
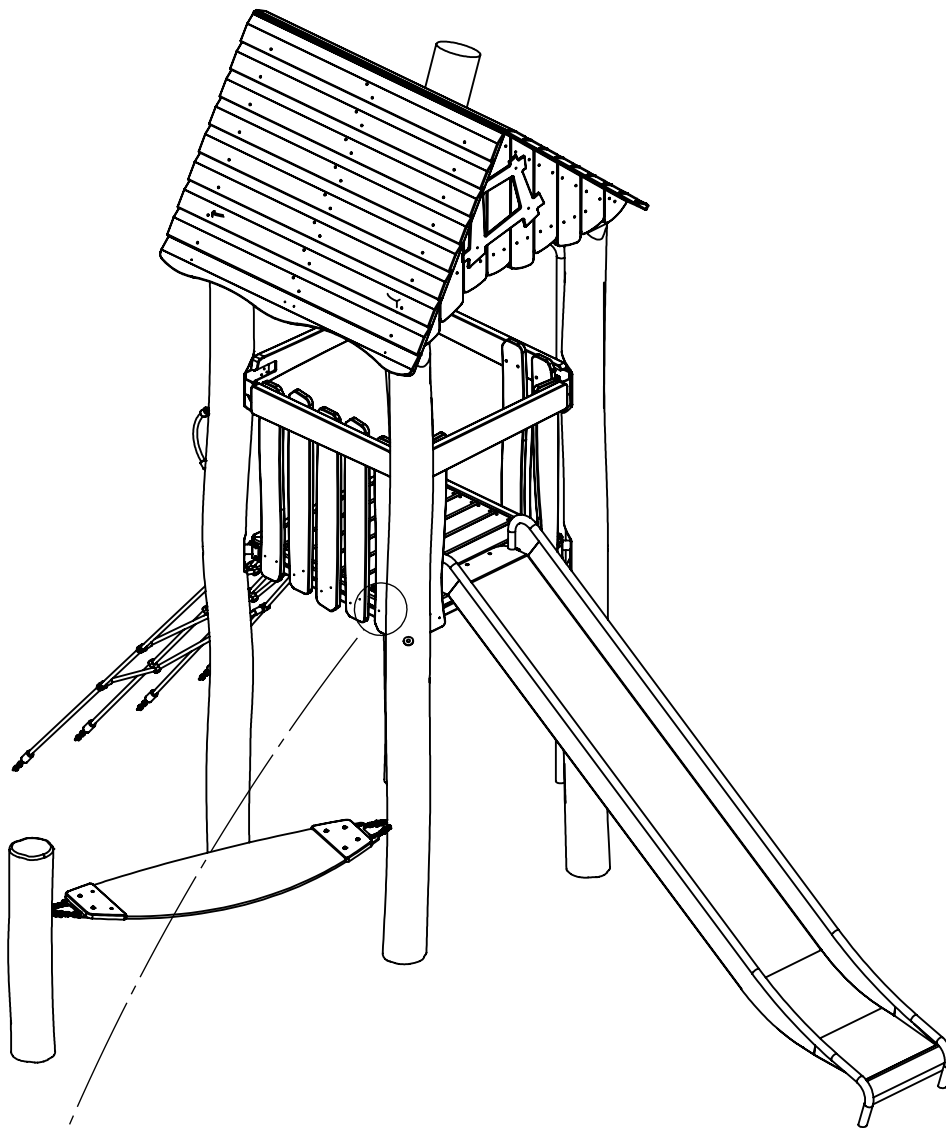


4x 12e052

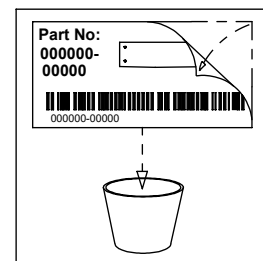
2x 12e007

[cm]

vinci
play



V001



[cm]

vinci
play