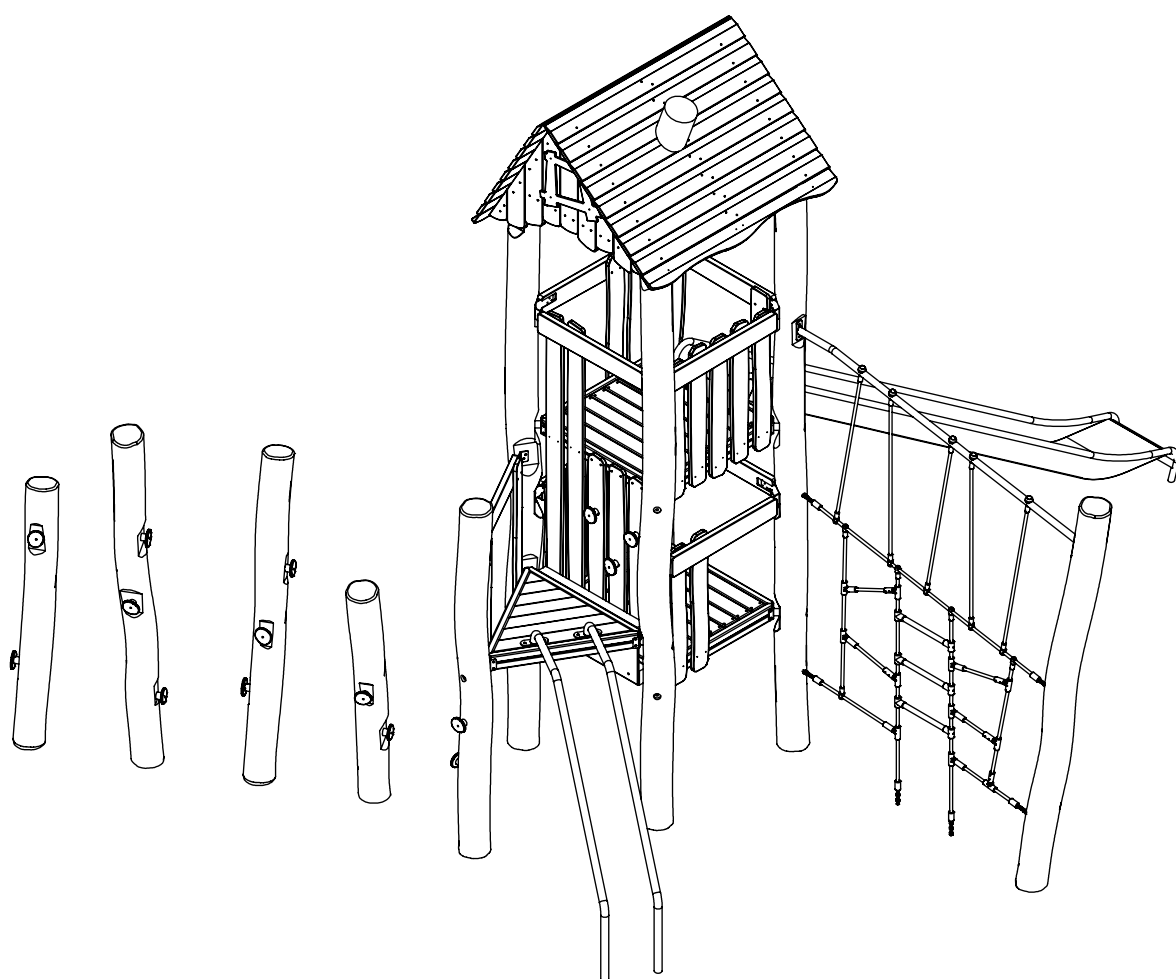
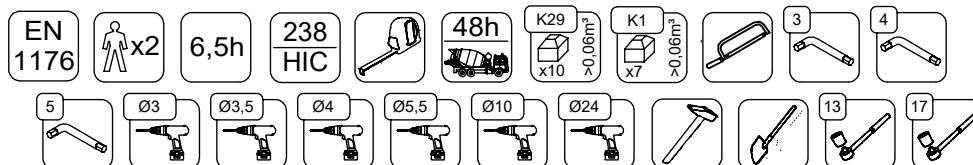


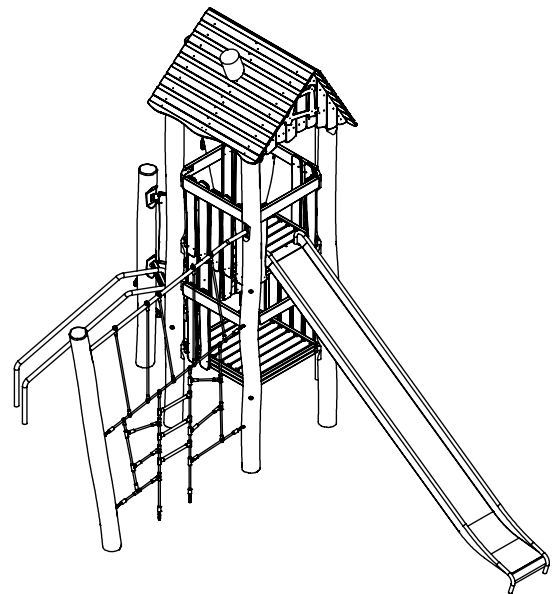
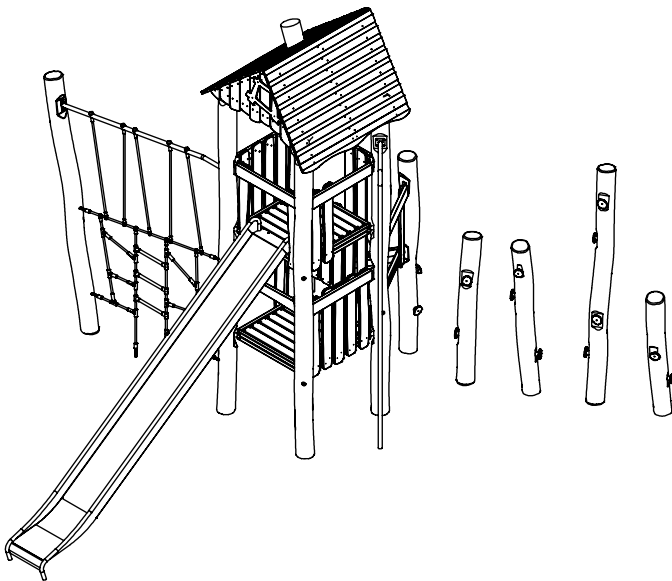
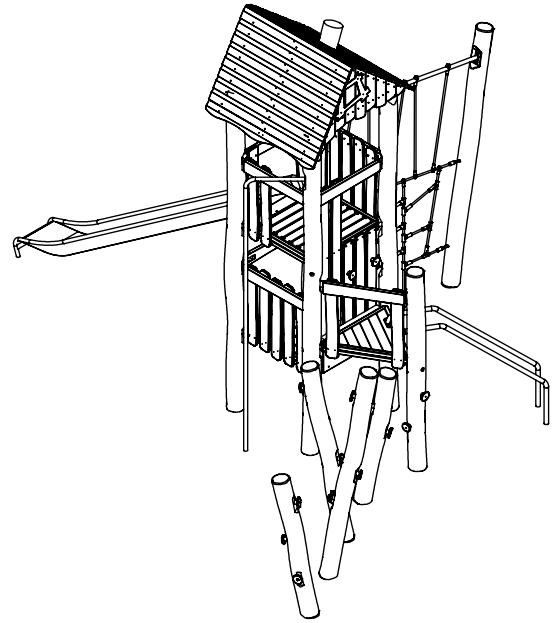
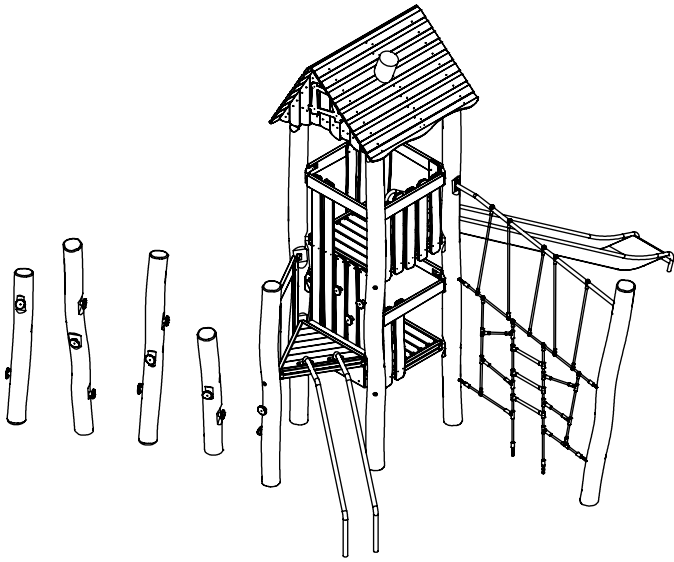
RB1215



v010
15.09.2021
D. P.
[cm]

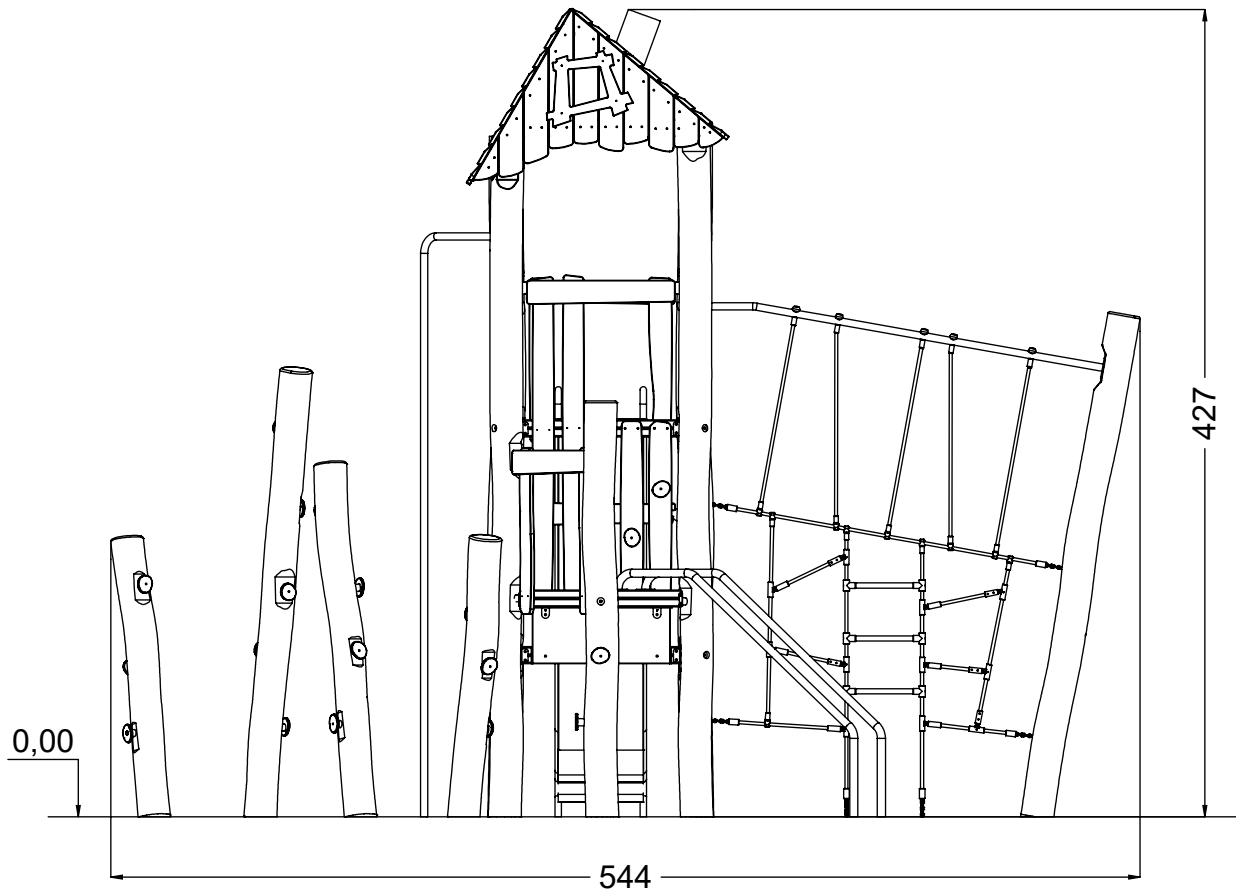
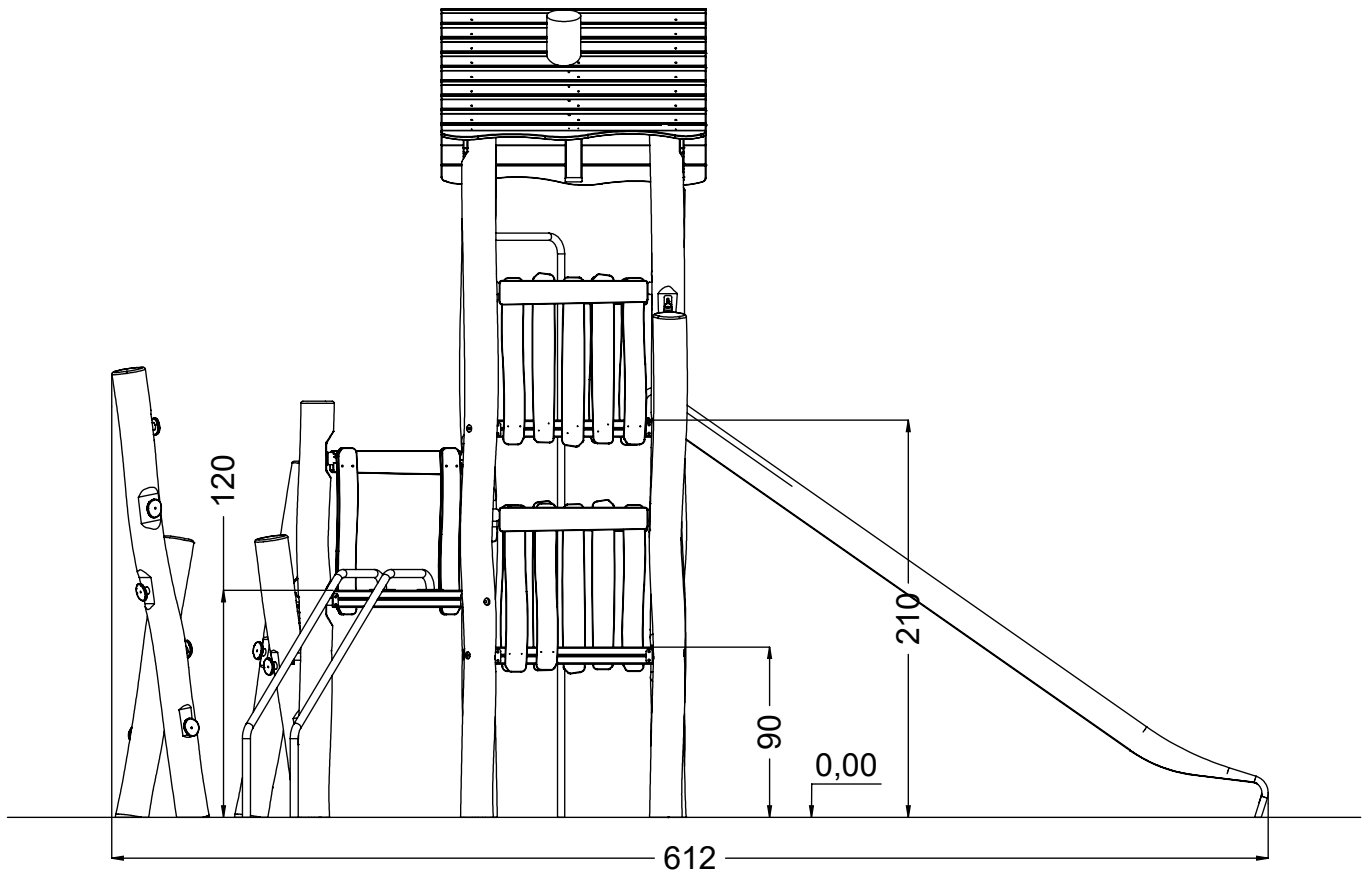


vinci
play



[cm]

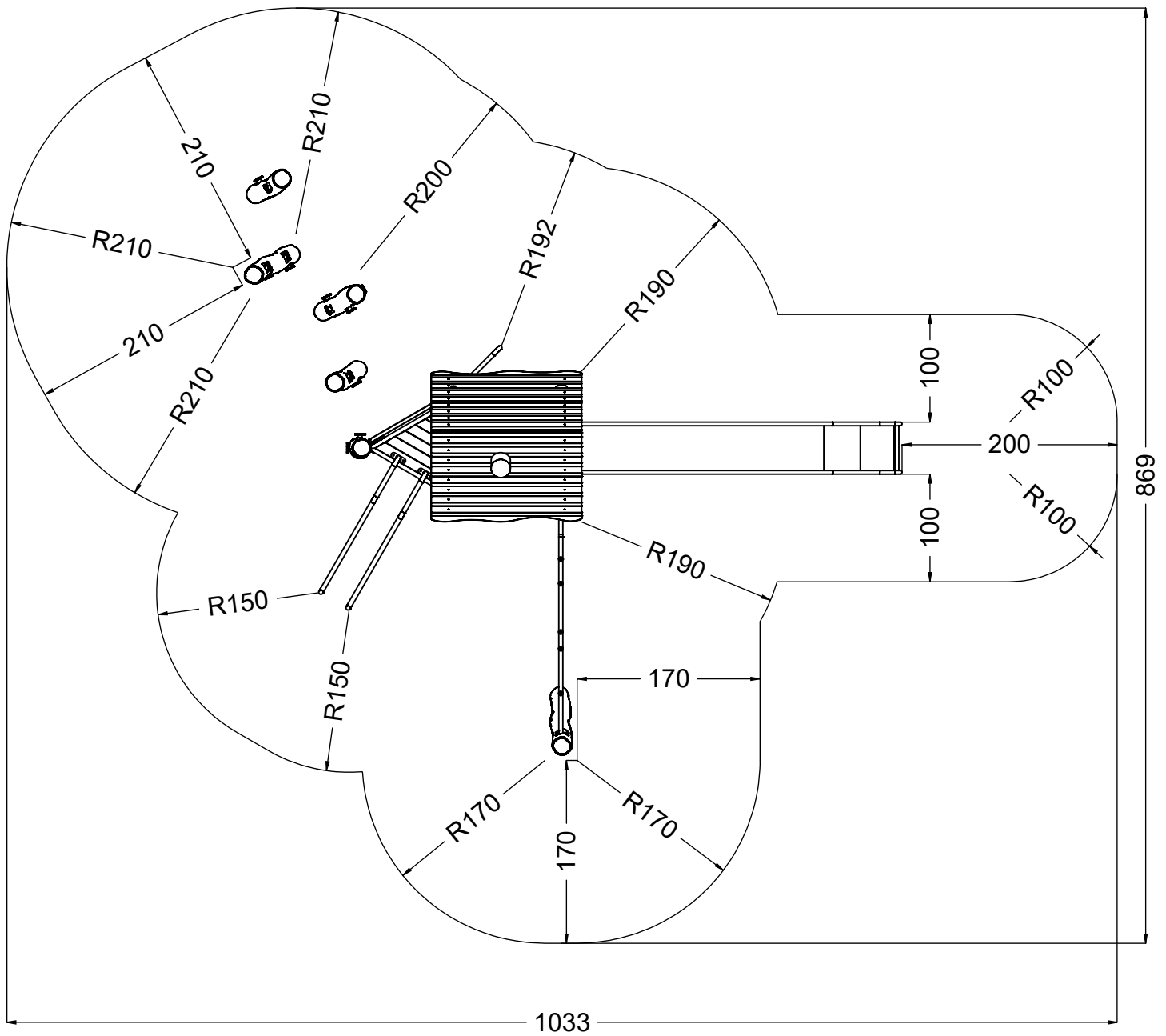
vinci
play



[cm]



vinci
play



[cm]

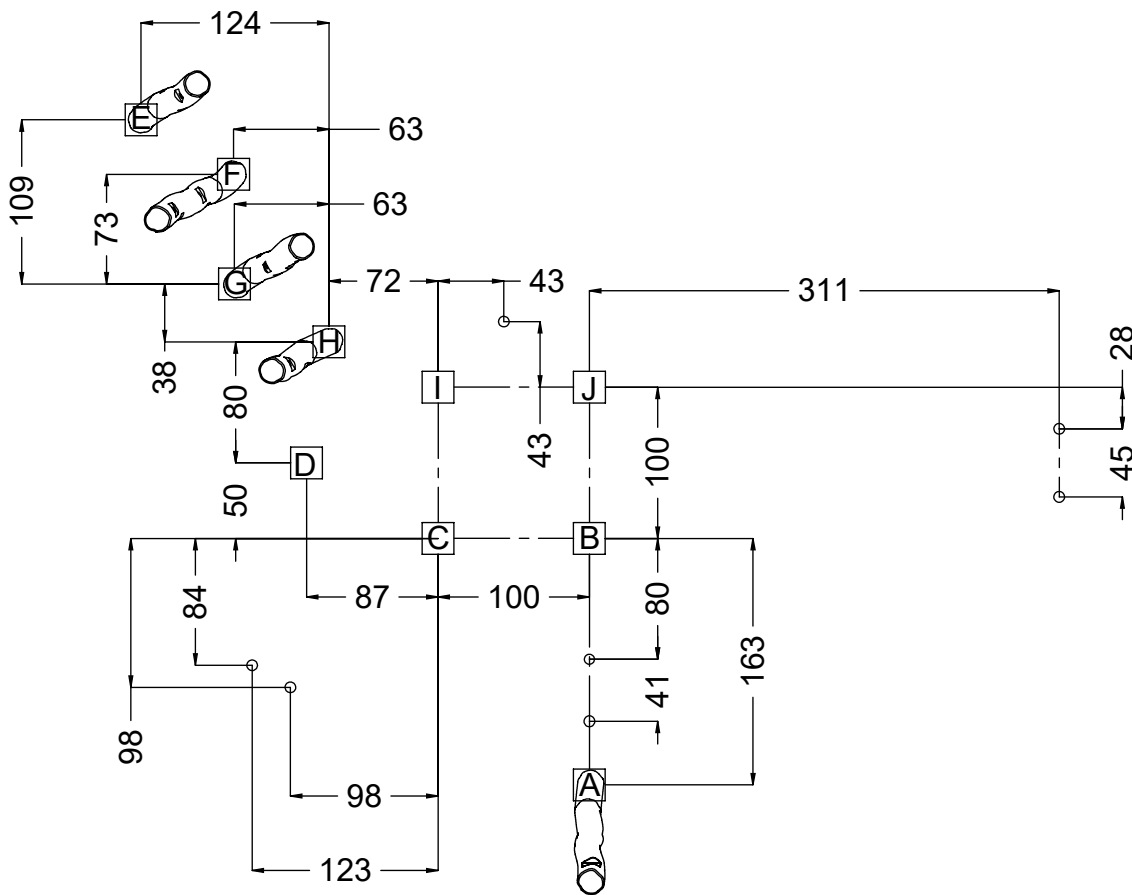
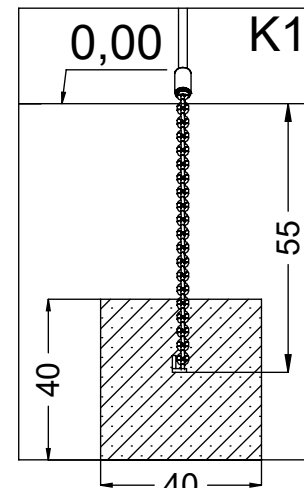
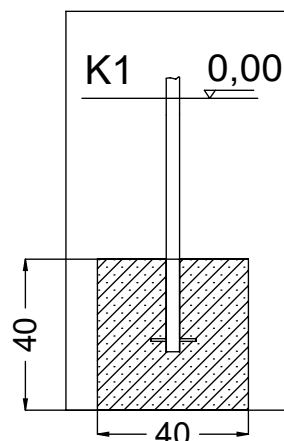
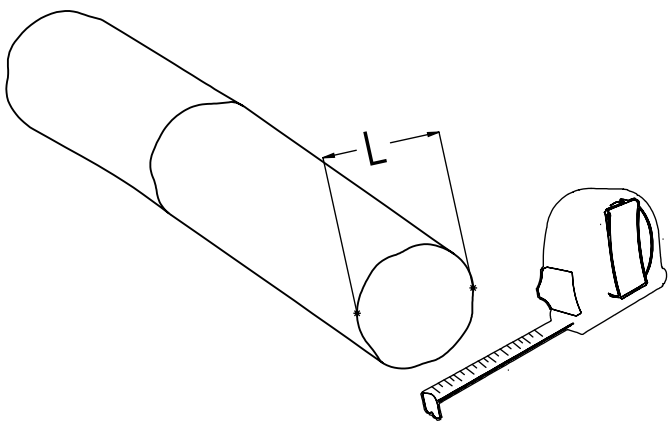
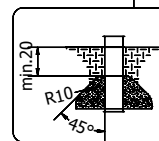
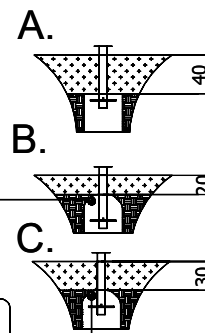
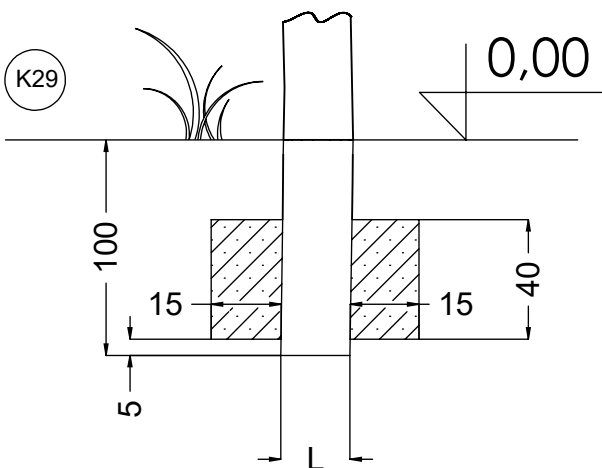


vinci
play

K29

0,00

48h



[cm]



6,5h



vinci play



127476 (A)
x1



127475 (B)
x1



127477 (C)
x1



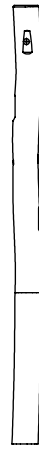
127472 (D)
x1



127468 (E)
x1



127469 (F)
x1



127470 (G)
x1



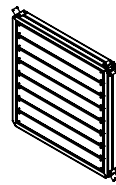
127471 (H)
x1



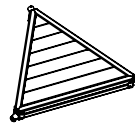
127473 (I)
x1



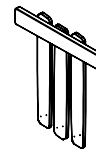
127474 (J)
x1



124100
x2



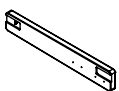
124108
x1



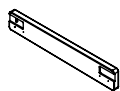
124104
x2



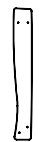
128181
x10



128197
x3



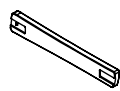
128107
x2



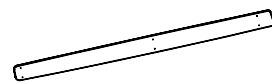
128103
x1



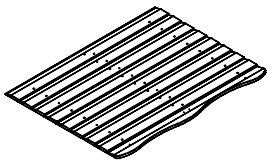
128178
x1



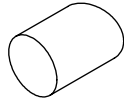
128168
x1



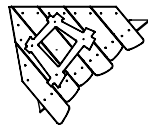
128199
x2



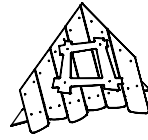
124133
x2



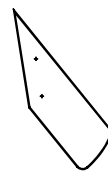
128172
x1



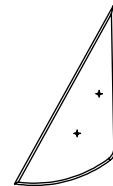
124132
x1



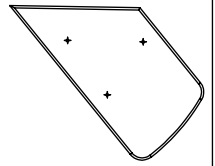
124135
x1



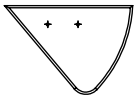
128230
128118
x1



128229
128117
x1



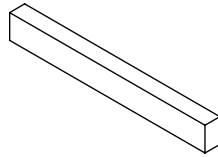
128237
128125
x1



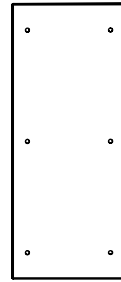
128238
128126
x1



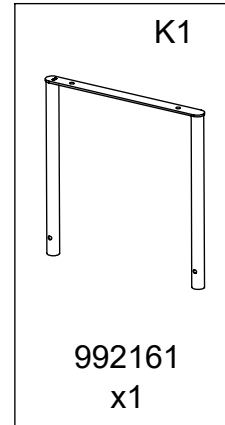
128198
x3



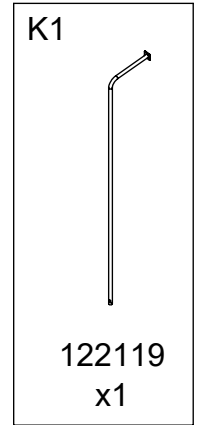
128169
x2



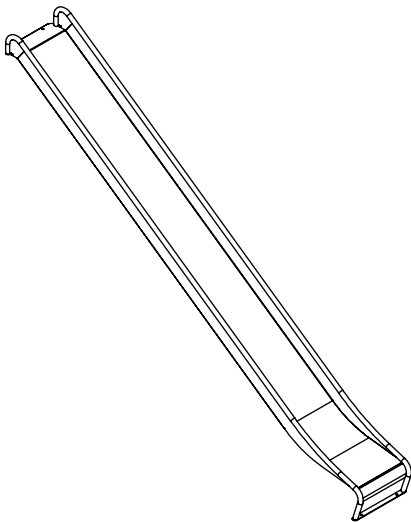
121129
x1



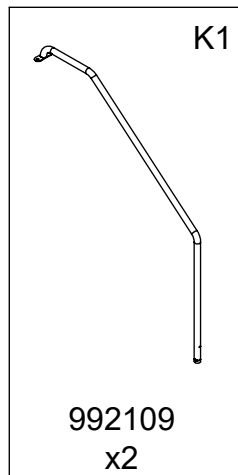
992161
x1



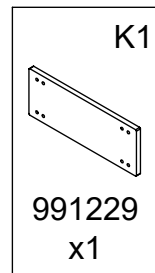
122119
x1



994174
x1



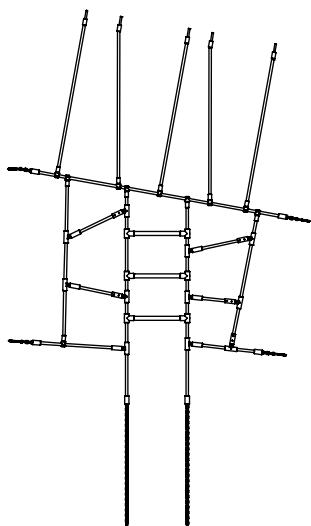
992109
x2



991229
x1



122111
x1



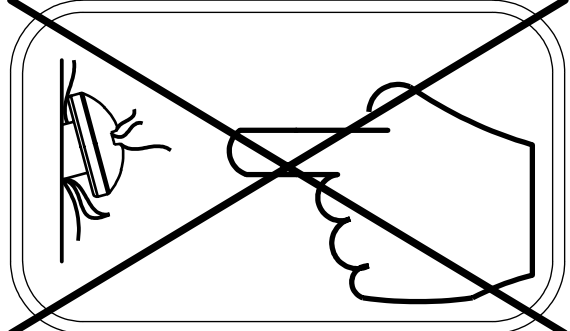
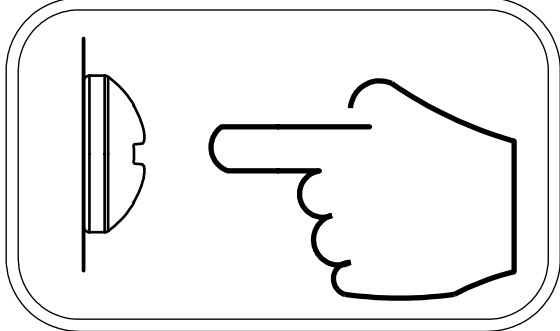
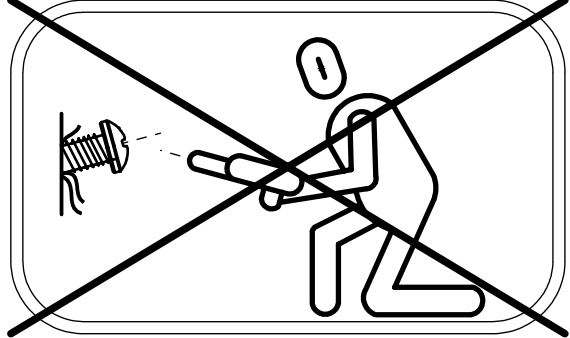
125124
x1

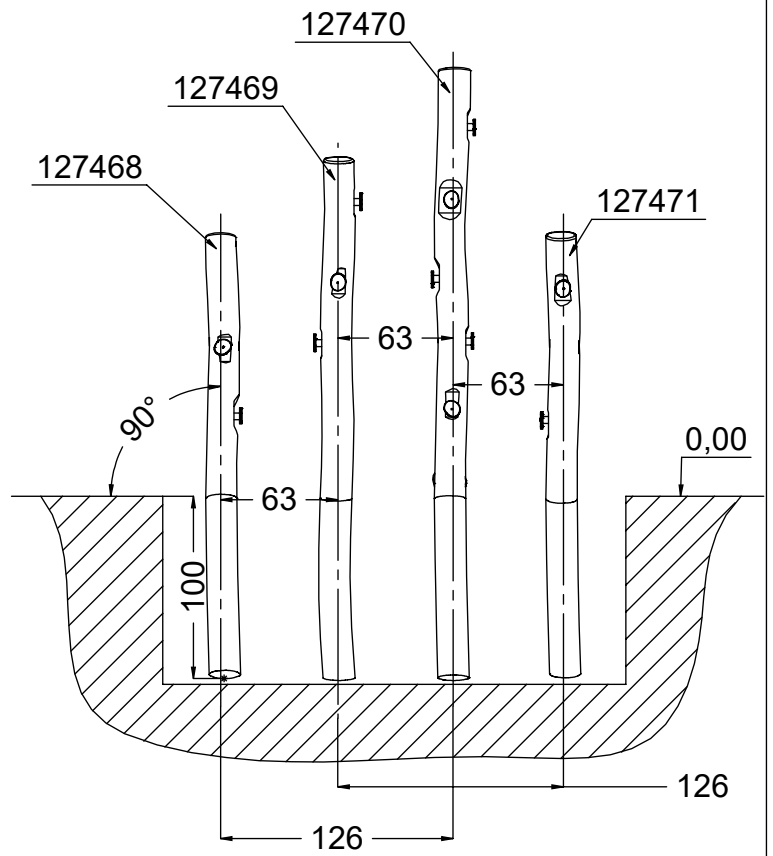
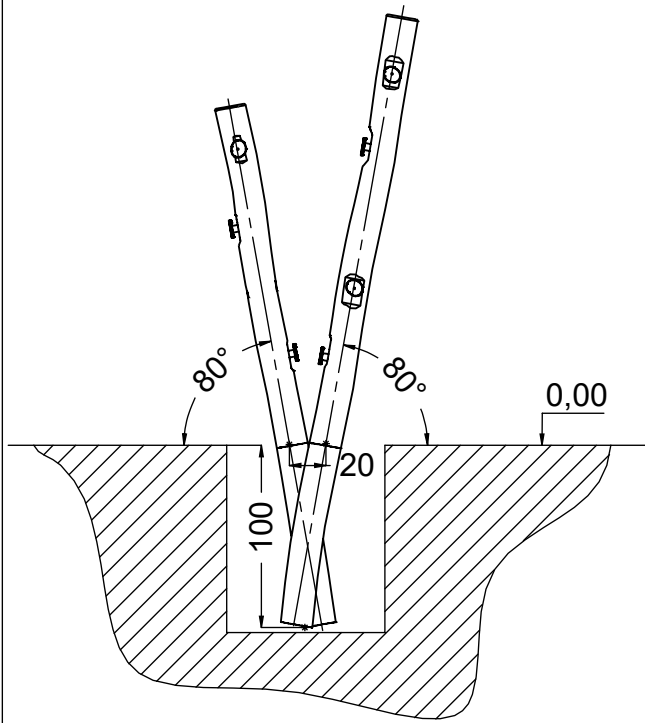
| | |
|------|----------|
| 48x | 5x30sxs |
| 126x | 5x50sxs |
| 7x | 5x80sxs |
| 6x | 7x35sxi |
| 42x | 8x50sxi |
| 9x | 8x80sxt |
| 17x | 8x160sxt |

| | |
|-----|--------|
| 1x | 12e003 |
| 2x | 12e004 |
| 2x | 12e007 |
| 1x | 12e019 |
| 1x | 12e030 |
| 1x | 12e035 |
| 2x | 12e052 |
| 1x | 12e064 |
| 1x | 12e065 |
| 1x | E44 |
| 20x | 121110 |
| 20x | 123103 |
| 6x | b390 |
| 2x | b389 |
| 2x | b399 |
| 1x | GL |
| 1x | V001 |

[cm]

vinci
play





[cm]

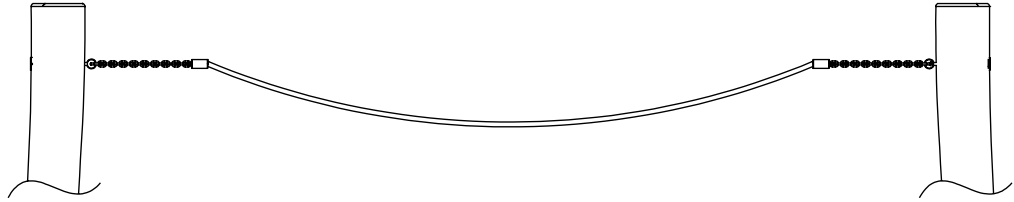


vinci
play

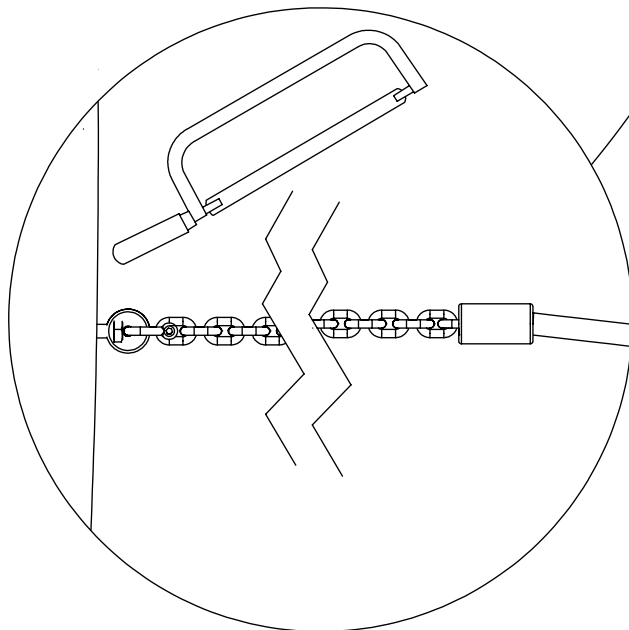
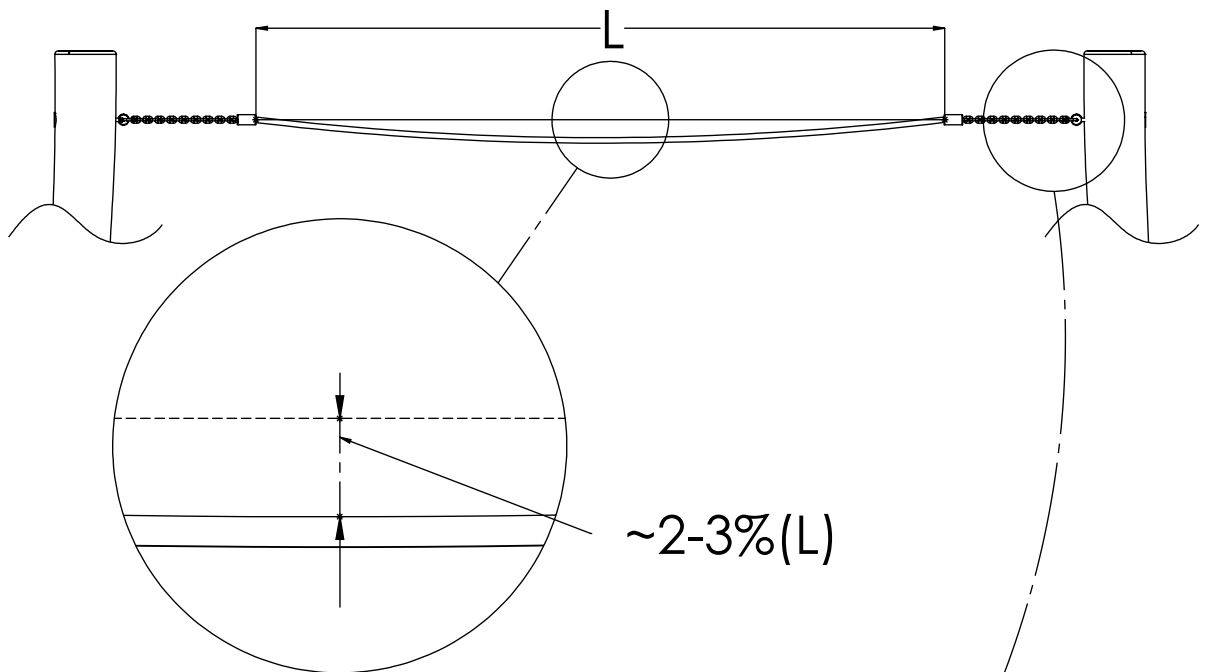
X

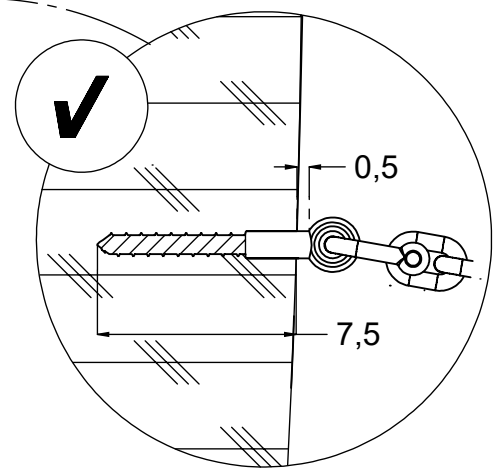
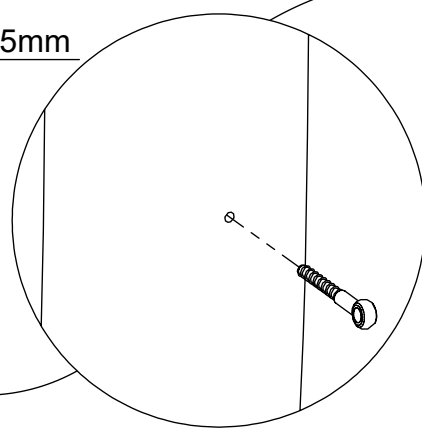
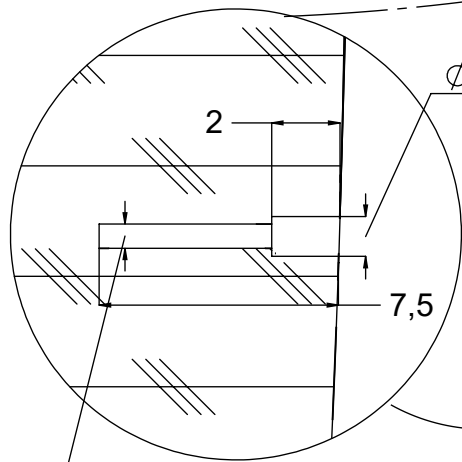
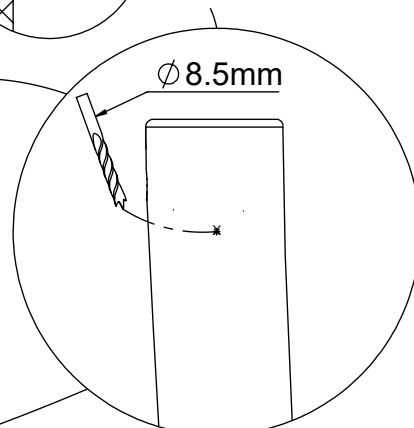
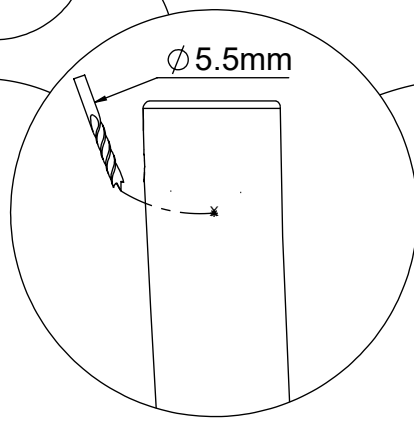
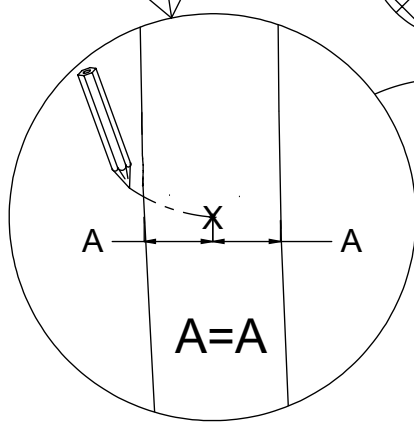
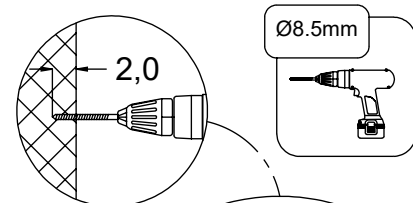
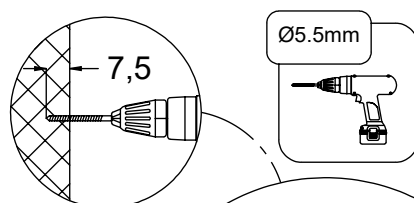
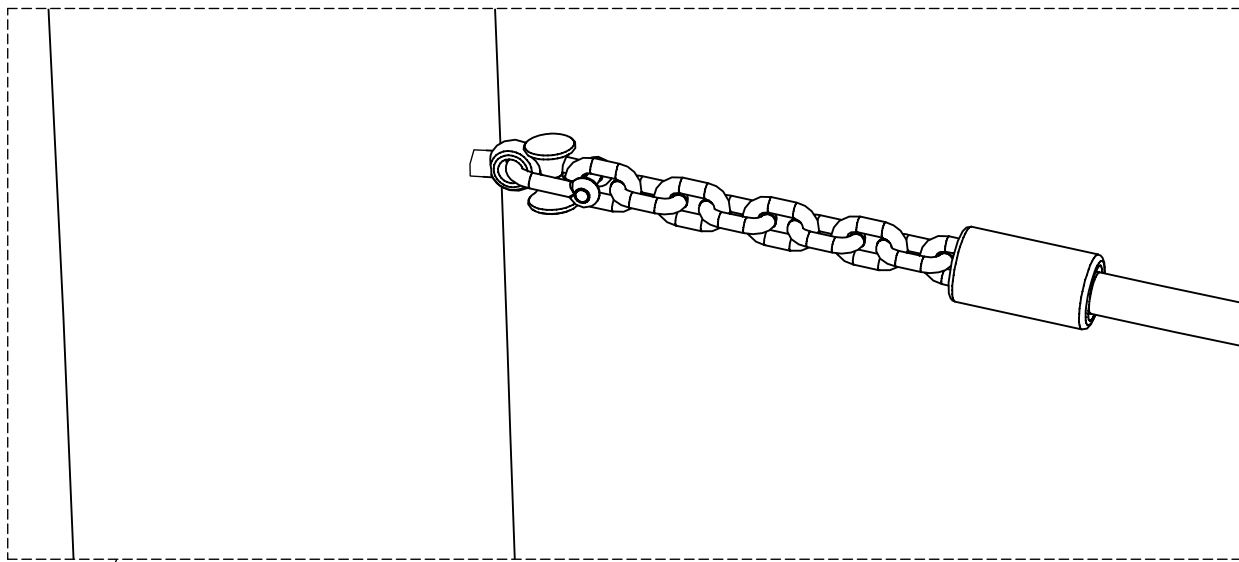


X



V



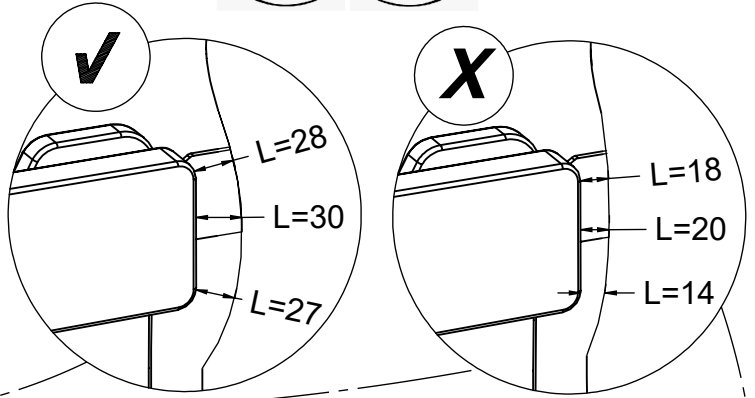
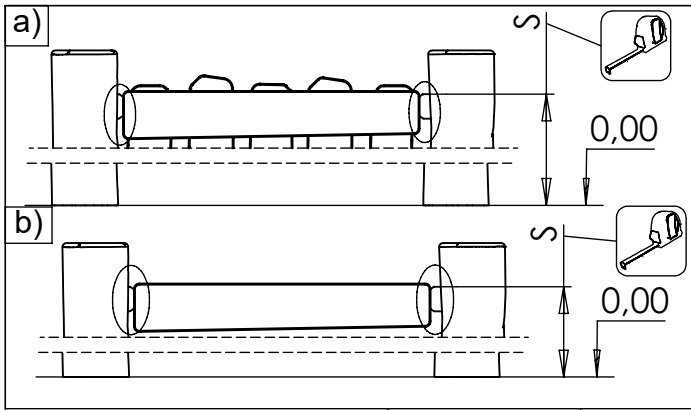


$\text{\O}5.5\text{ mm}$

$\text{\O}8.5\text{mm}$

[cm]

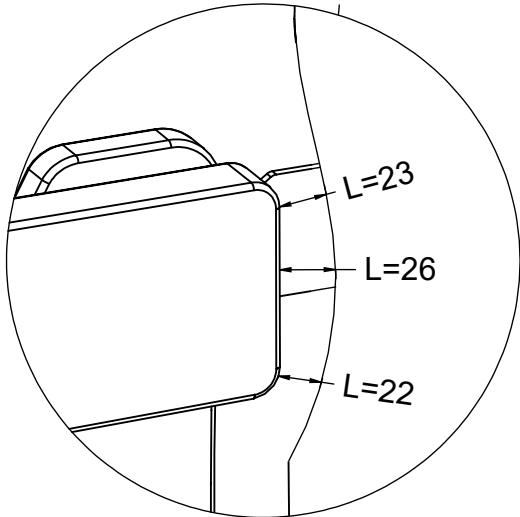
vinci
play



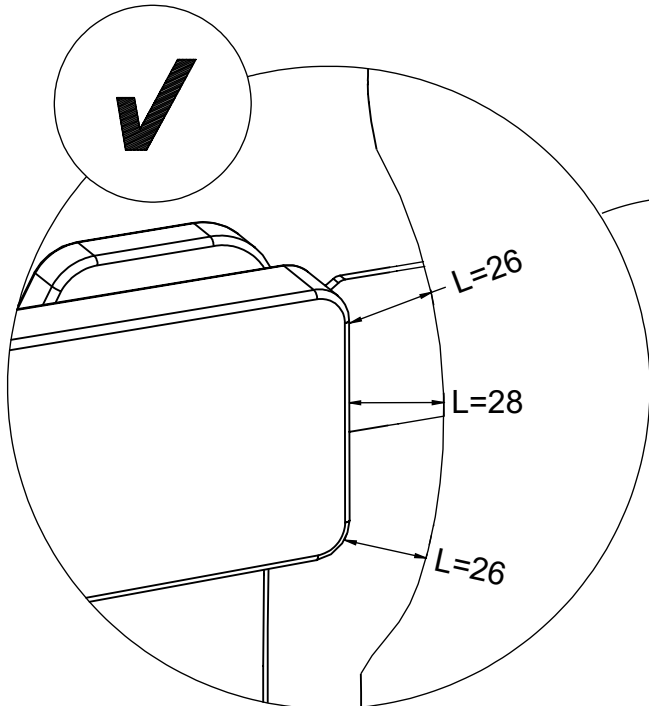
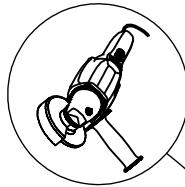
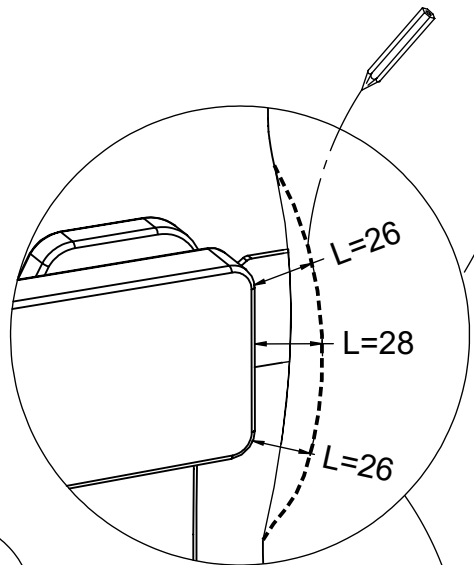
S<97

S>97

| | | | |
|--------|---|--------|---|
| L>25mm | ✓ | L≤25mm | X |
|--------|---|--------|---|



| | |
|--------|---|
| L>25mm | ✓ |
| L≤25mm | ✓ |

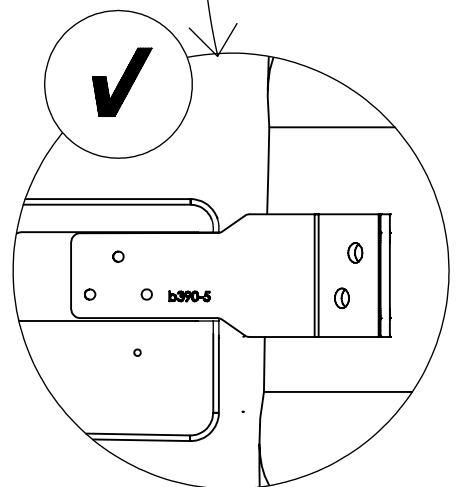
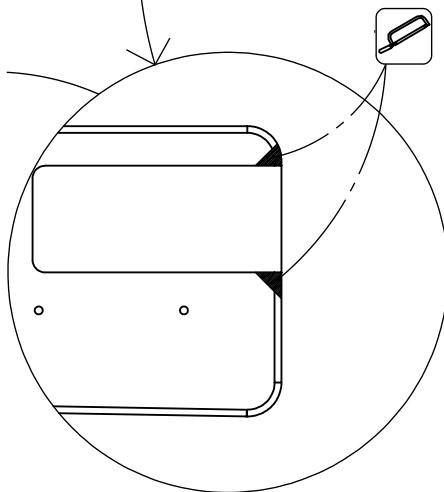
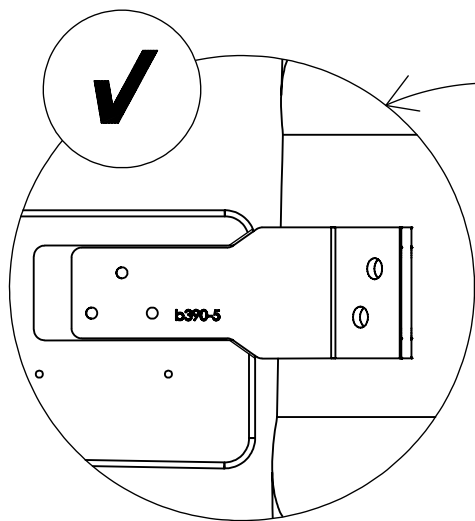
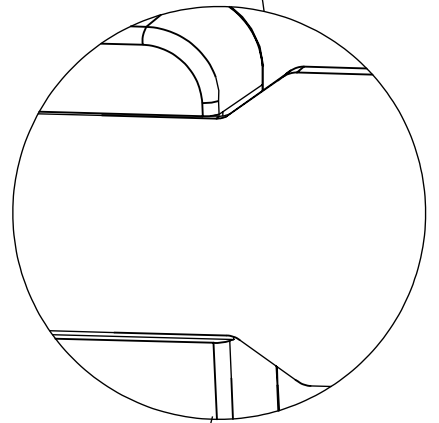
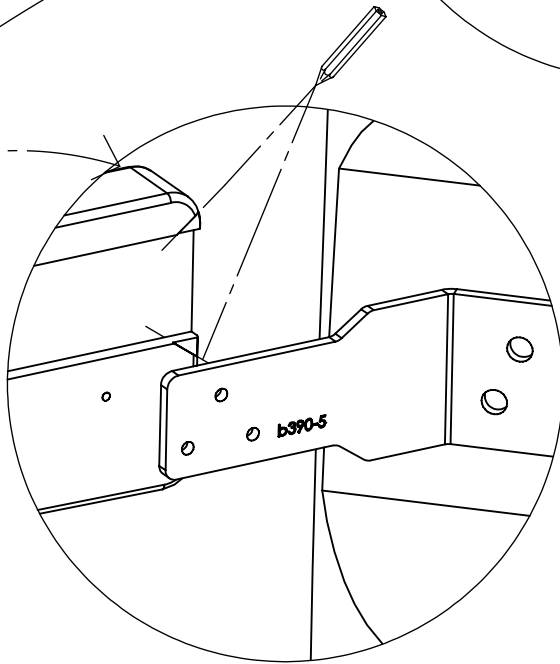
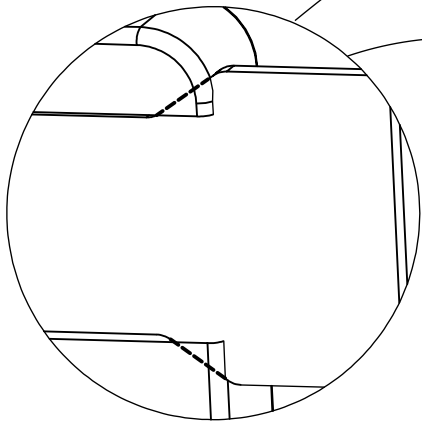
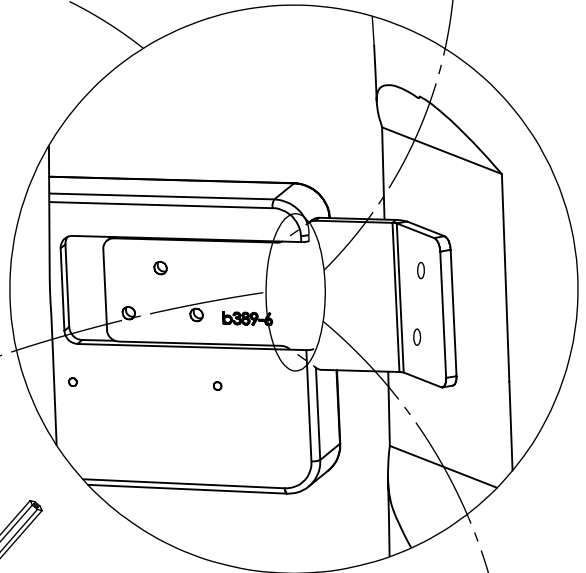
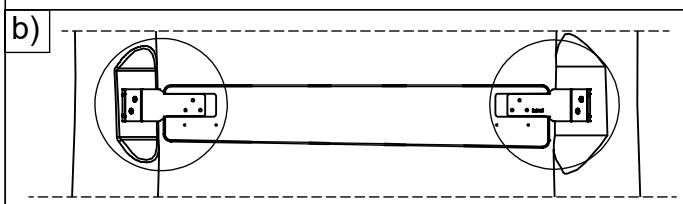
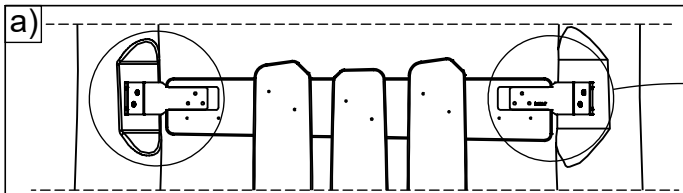


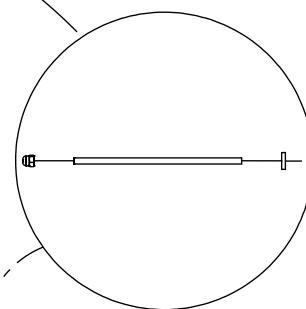
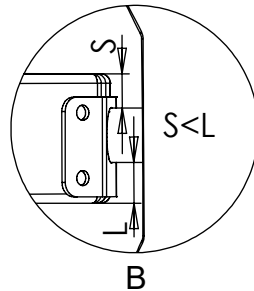
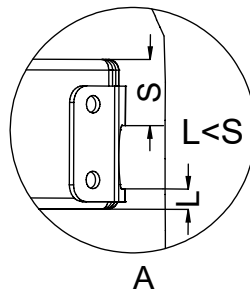
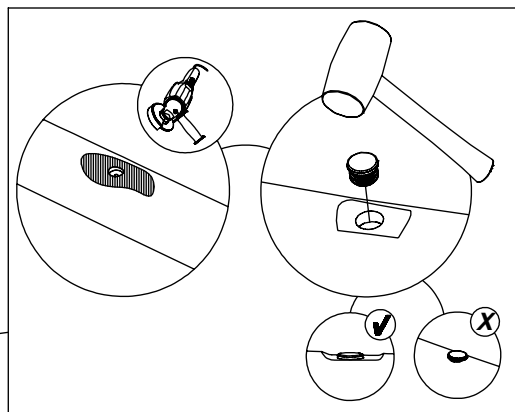
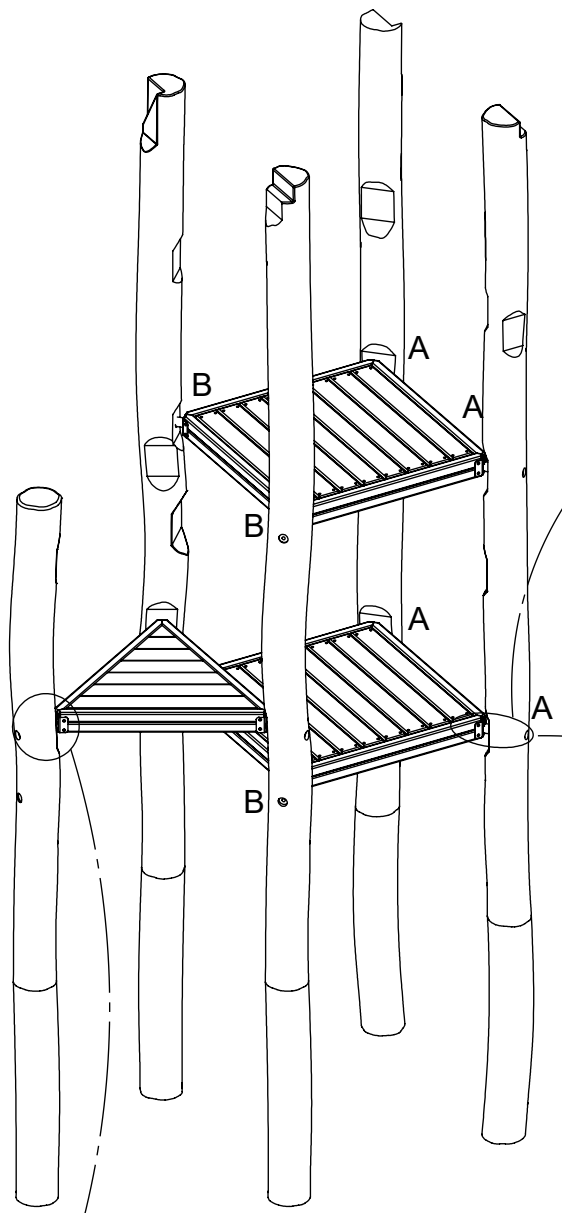
| | |
|--------|---|
| L>25mm | ✓ |
|--------|---|



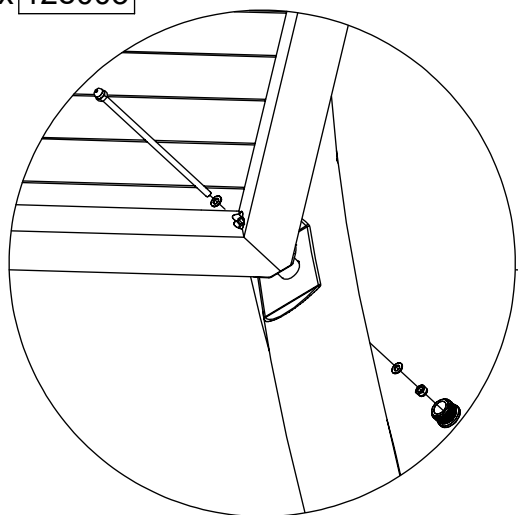
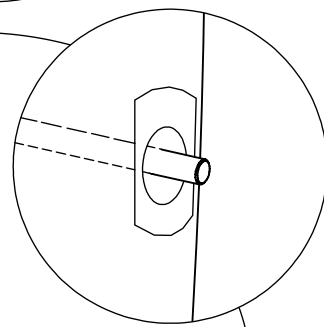
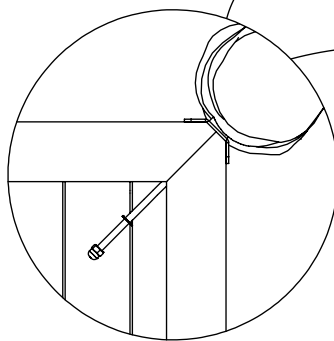
[cm]

vinci
play

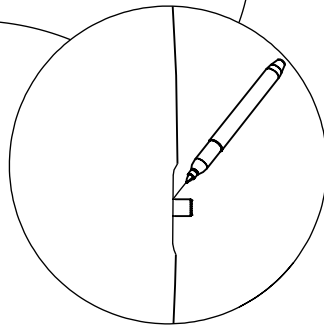
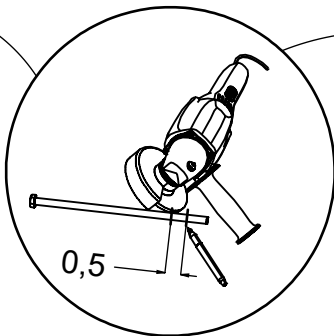




1x 12e003

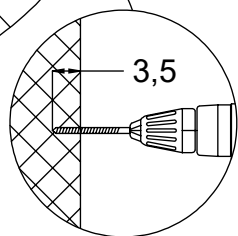
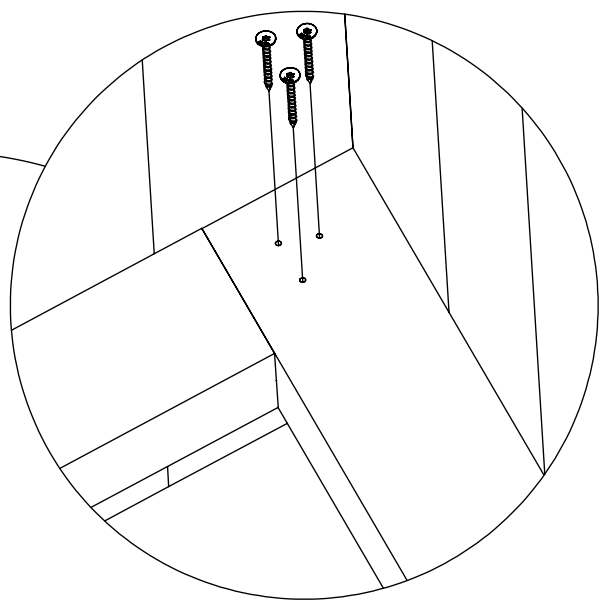
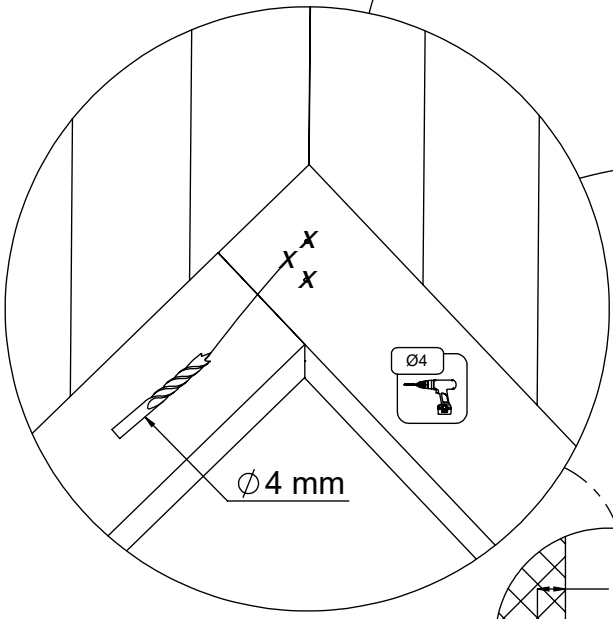
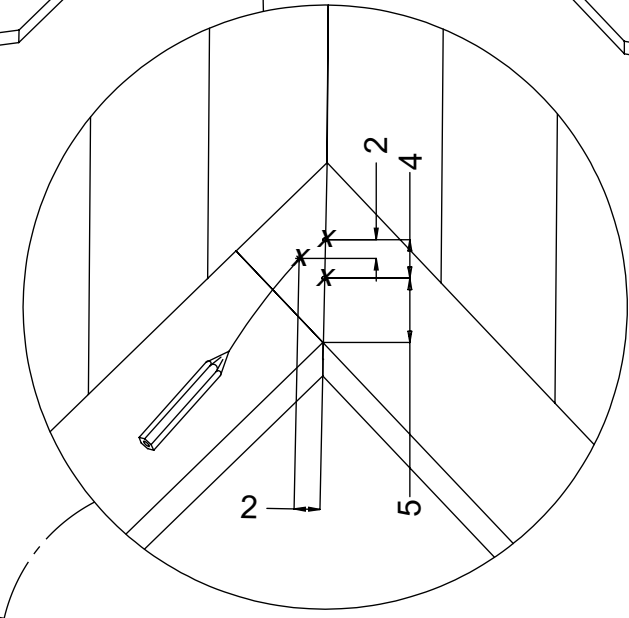
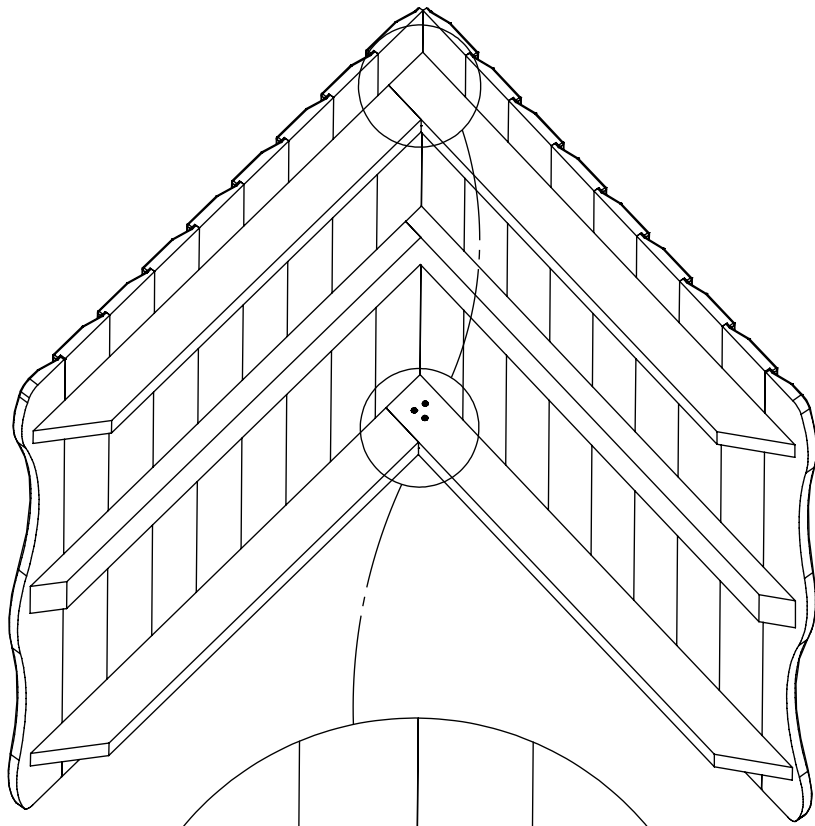


2x 12e004



[cm]

vinci
play

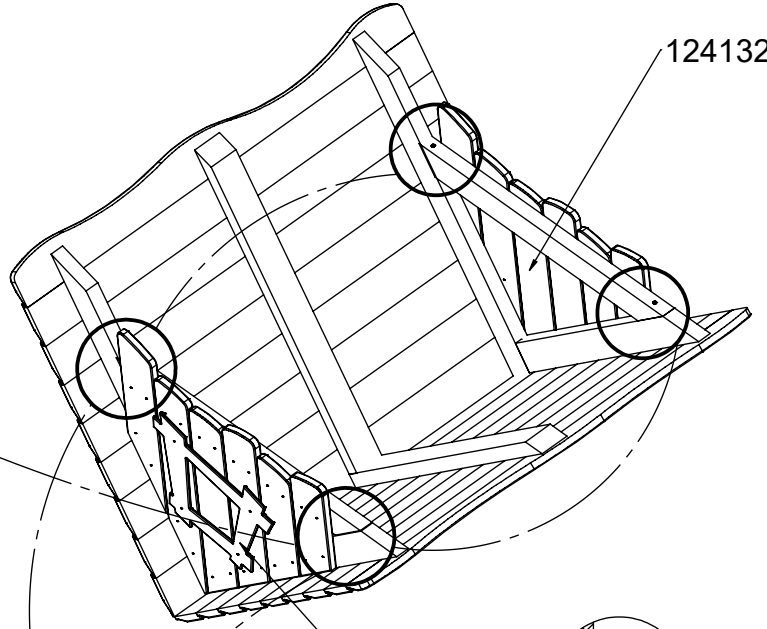
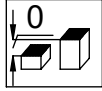
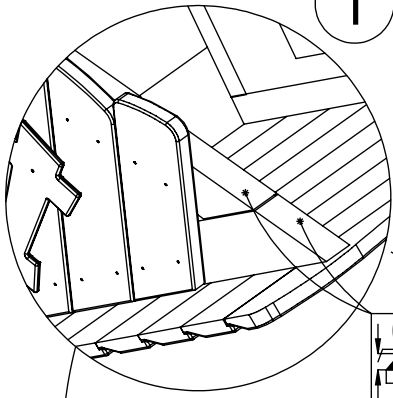


[cm]

vinci
play

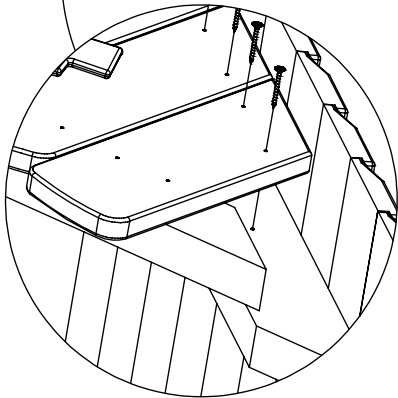
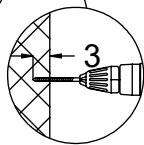
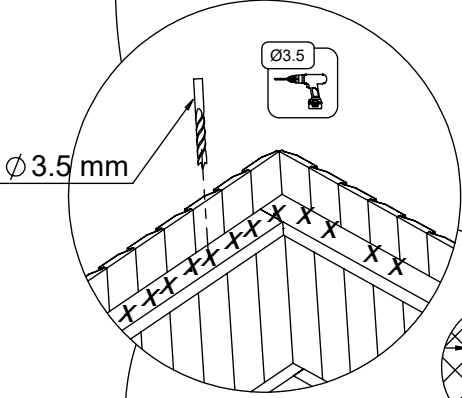
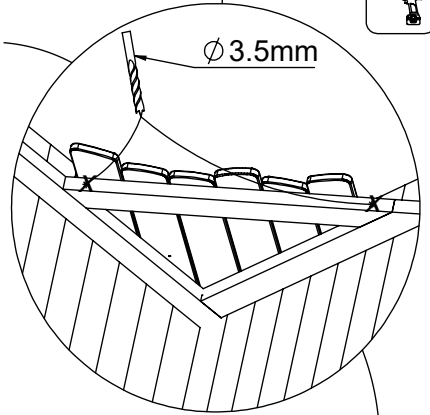
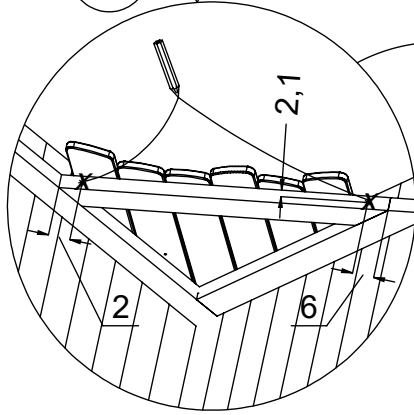
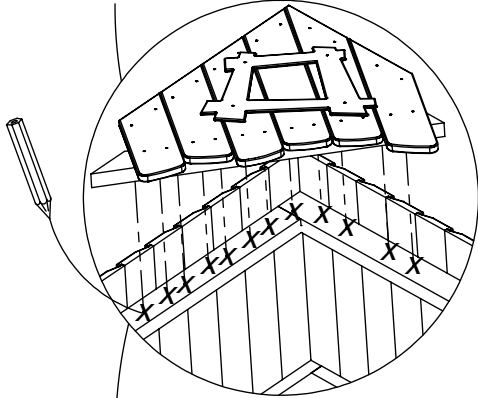
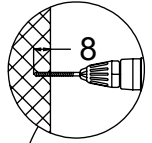
124132

1

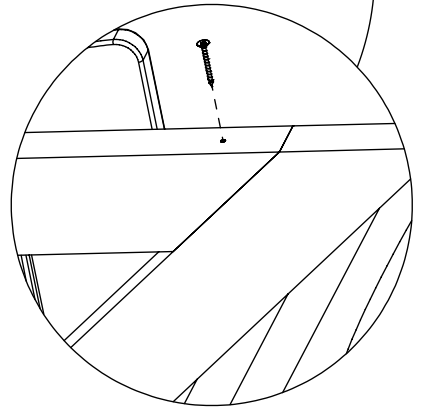


124135

2



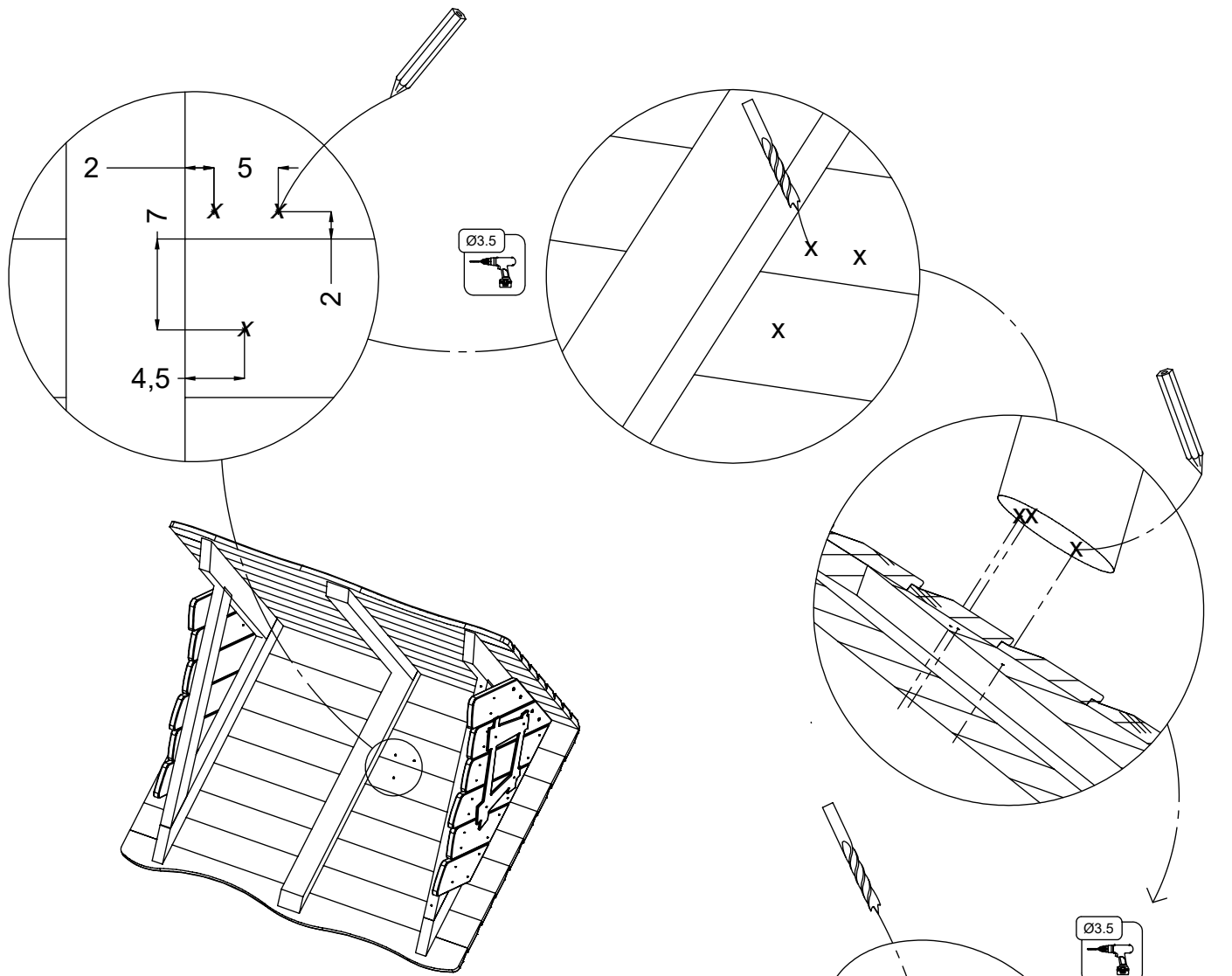
24x 5x50sxs



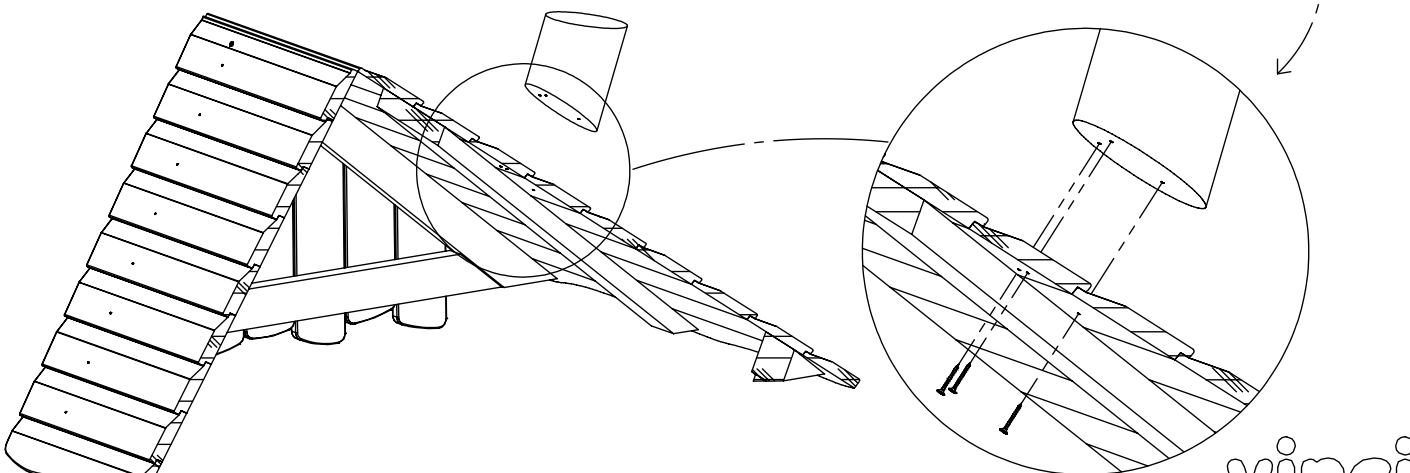
4x 5x80sxs

[cm]

vinci play



128172

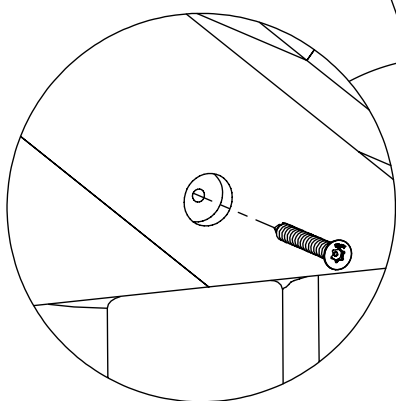
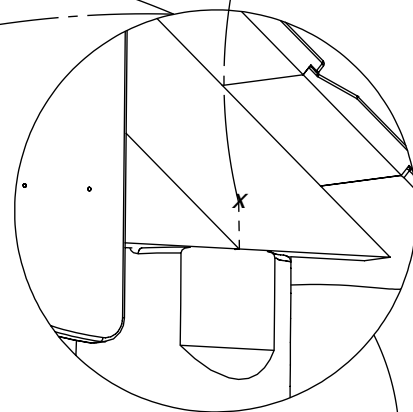
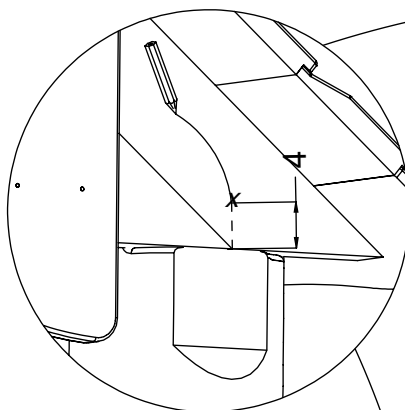
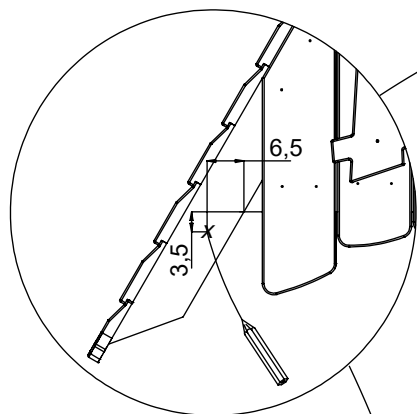


3x 5x80 sxs

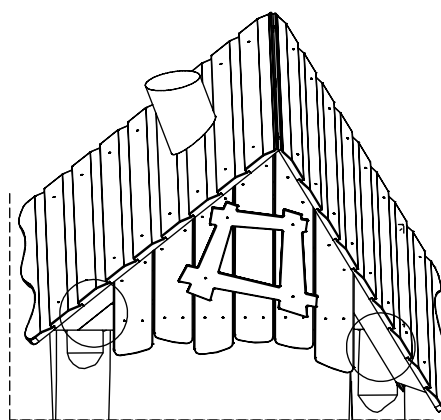
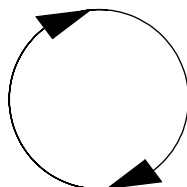
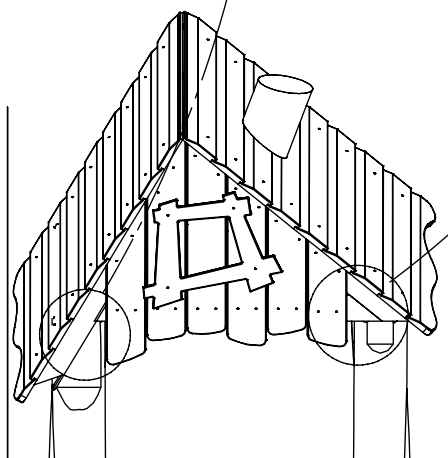
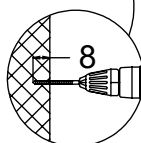
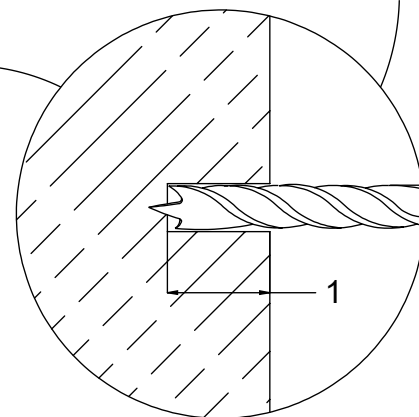
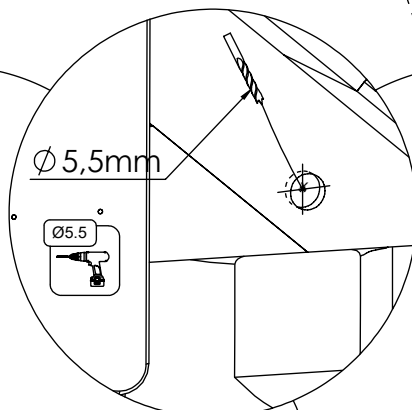
vinci play

[cm]

Ø24 mm

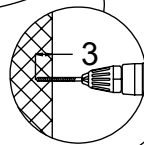
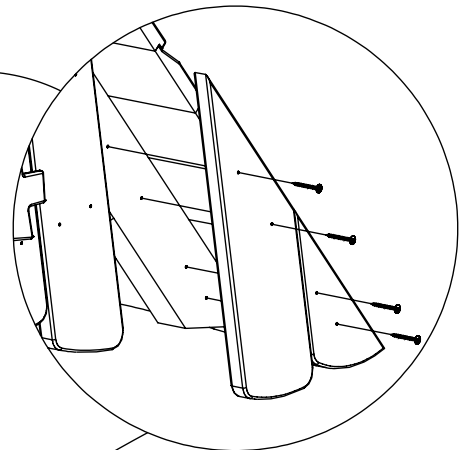
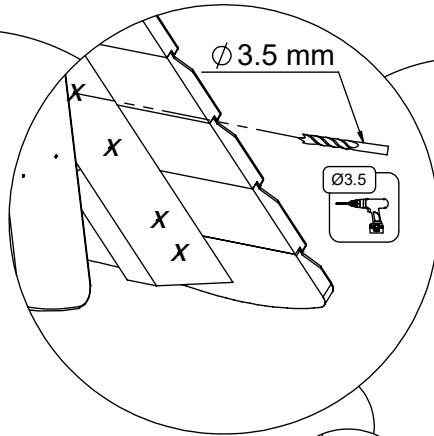
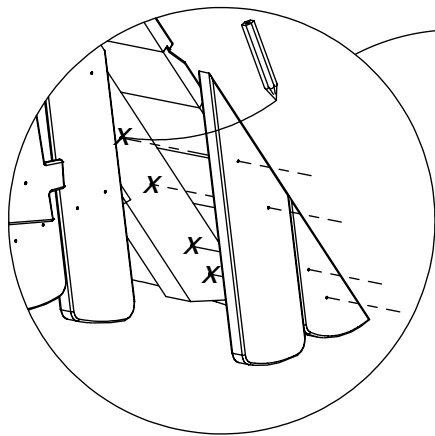


4x 8x80sxt

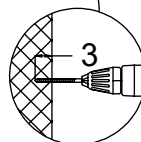
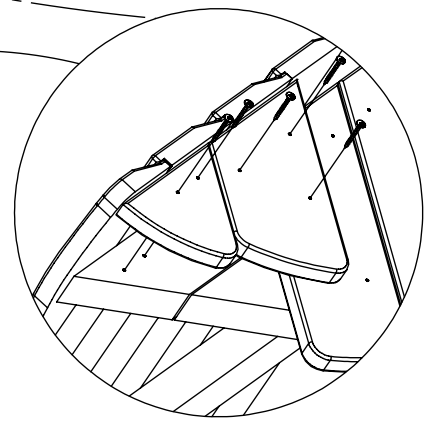
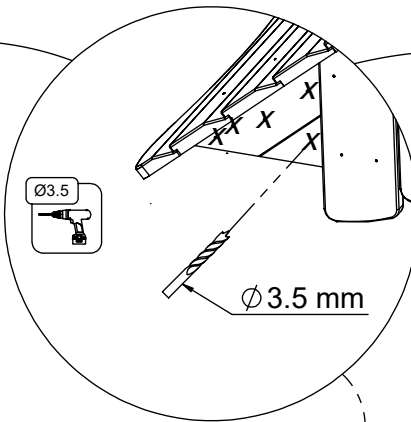
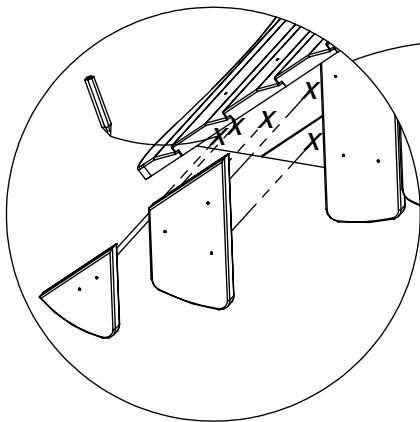
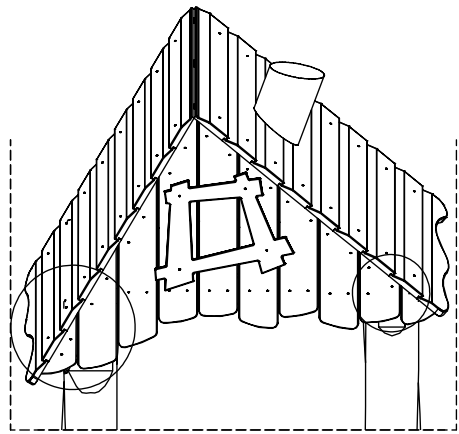
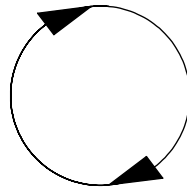
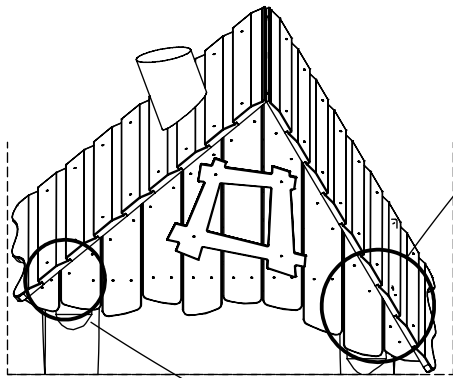


[cm]

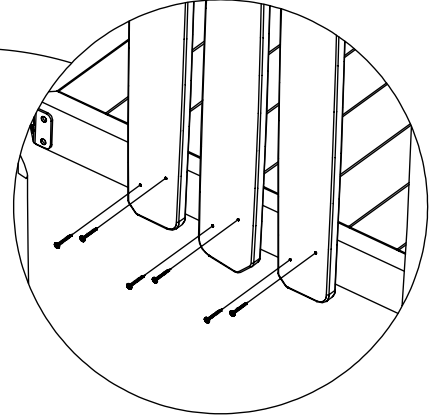
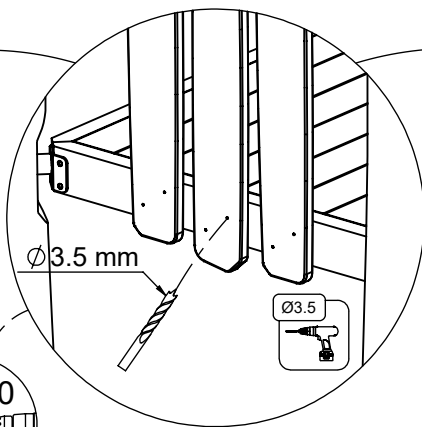
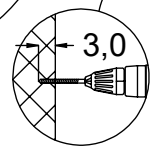
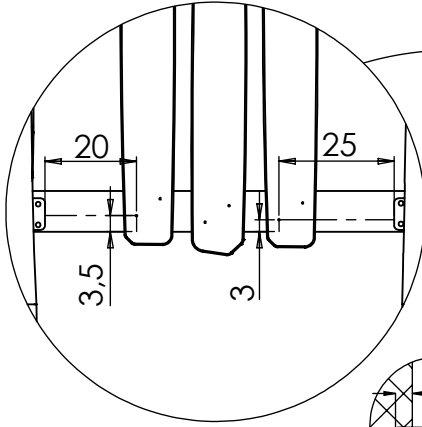
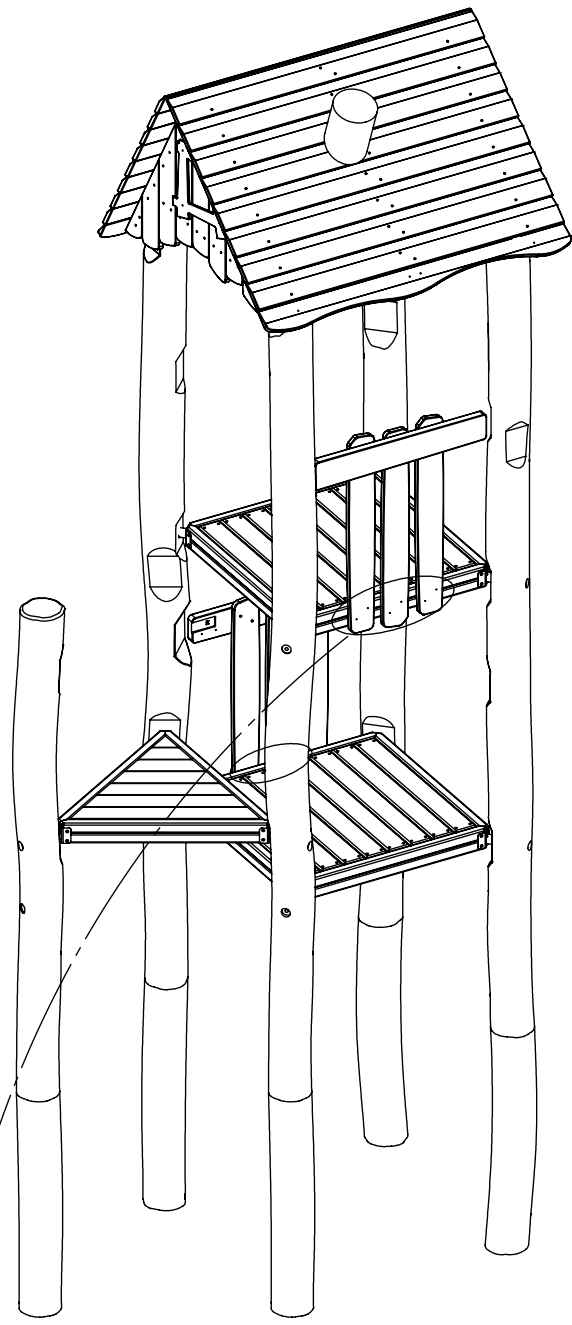
vinci
play



8x 5x50sxs



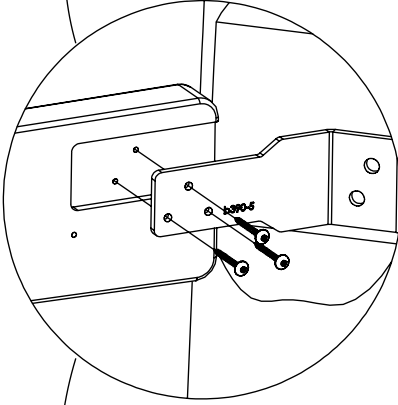
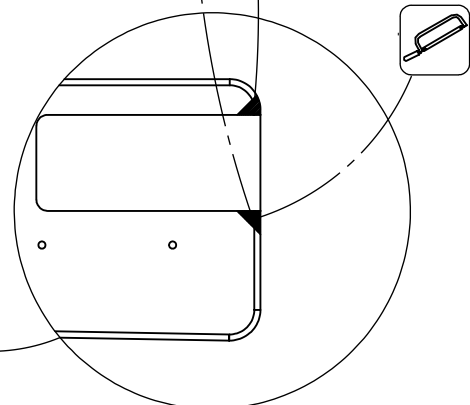
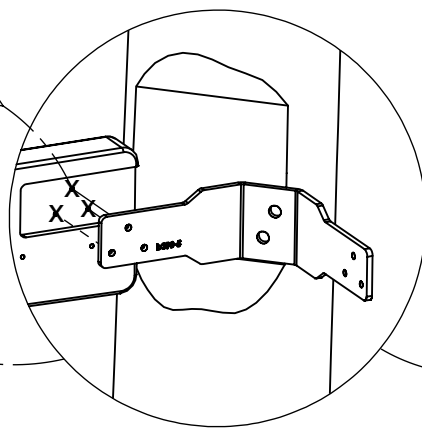
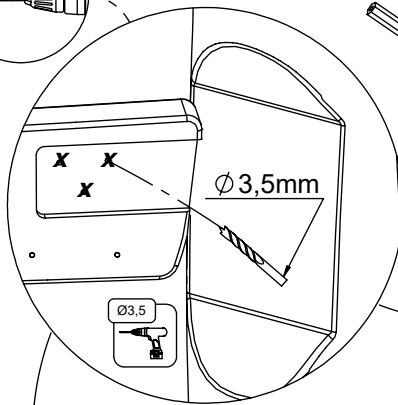
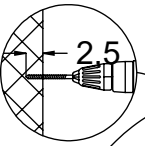
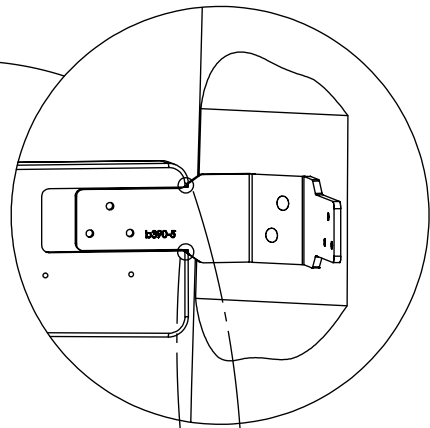
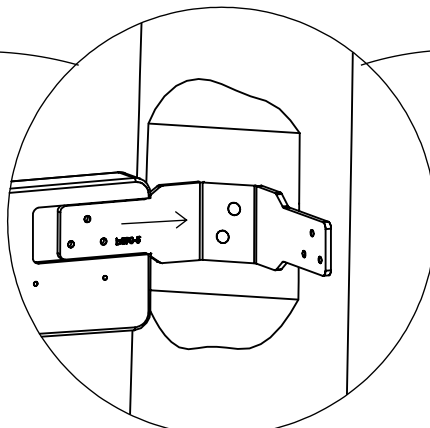
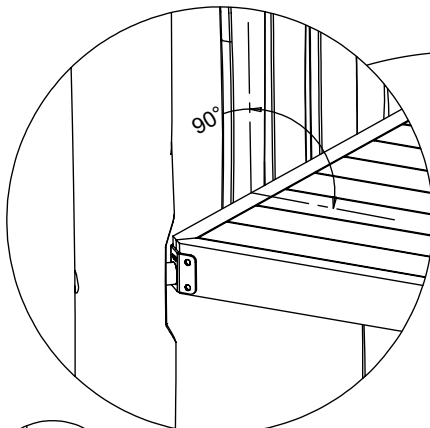
10x 5x50sxs



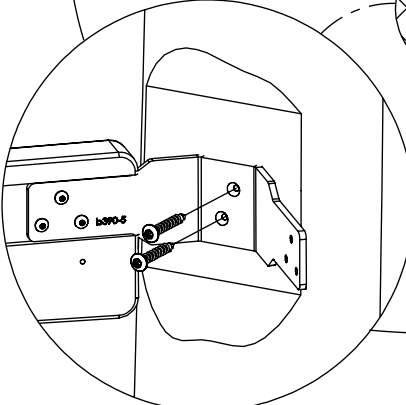
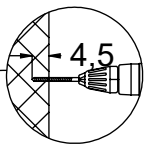
12x 5x50sxs

[cm]

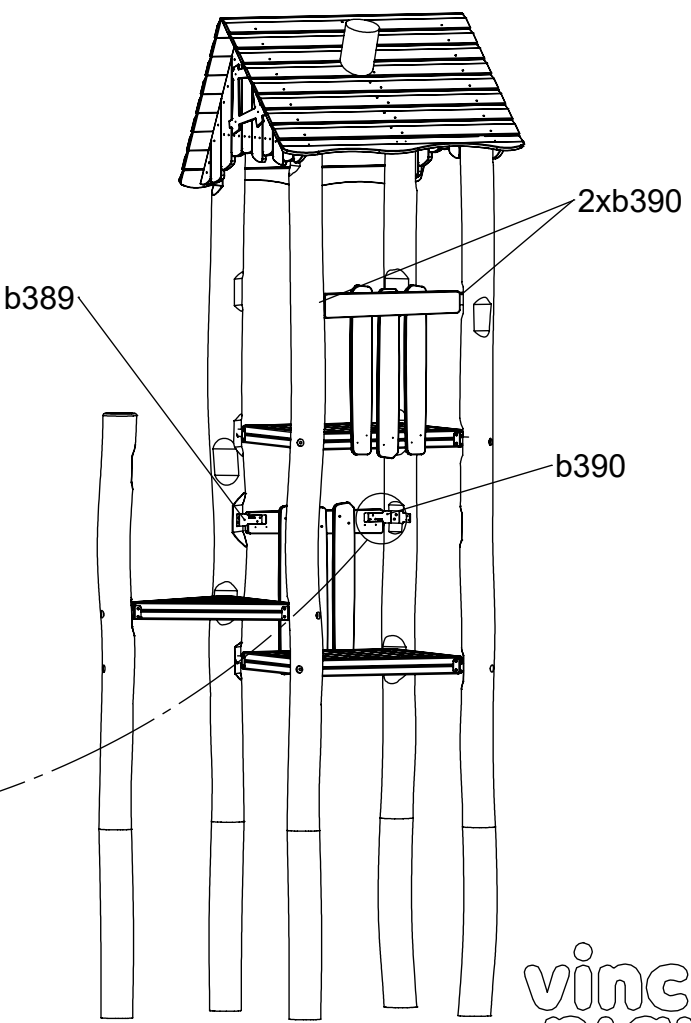
vinci
play



12x 5x30sxs

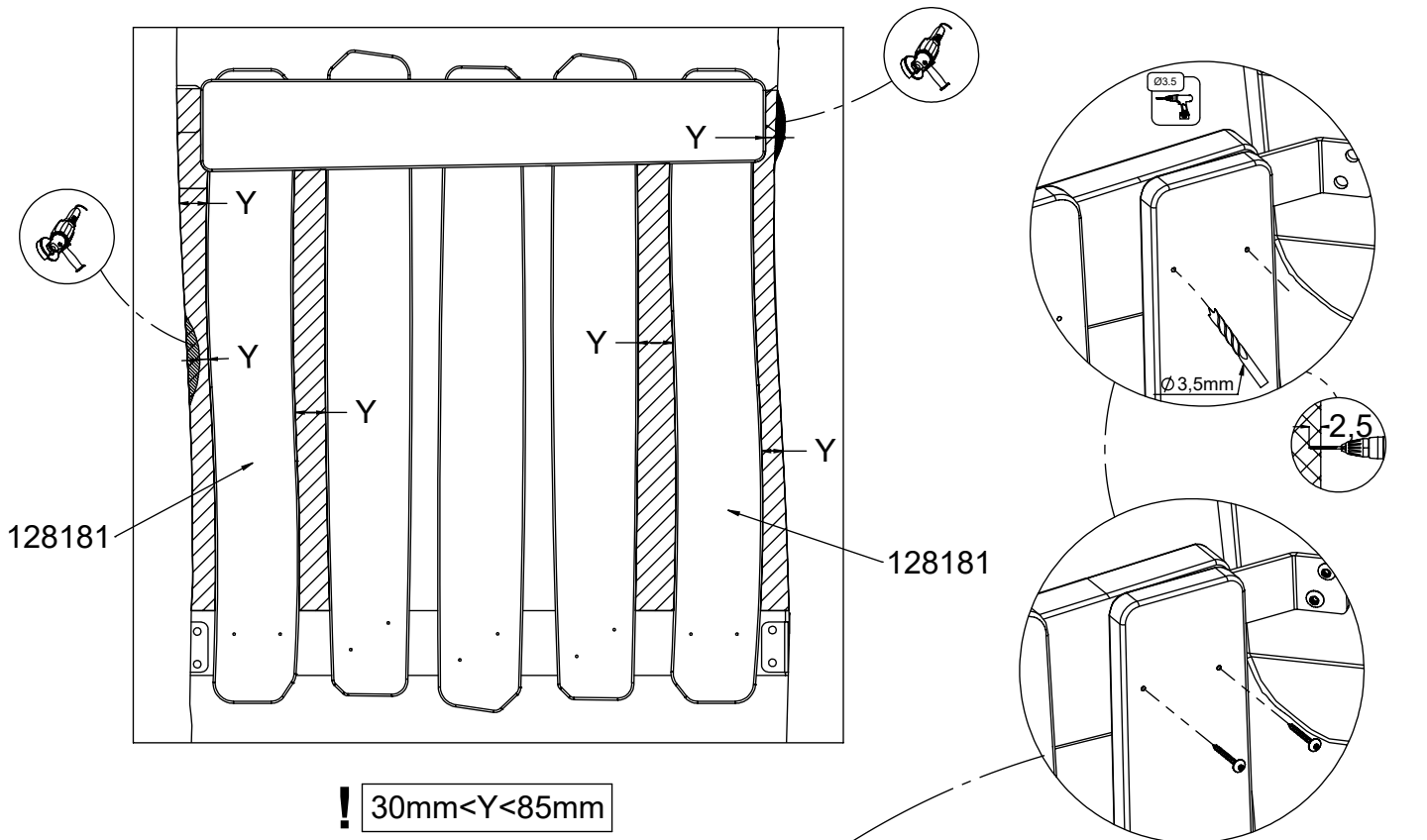


8x 8x50sxi



[cm]

vinci play

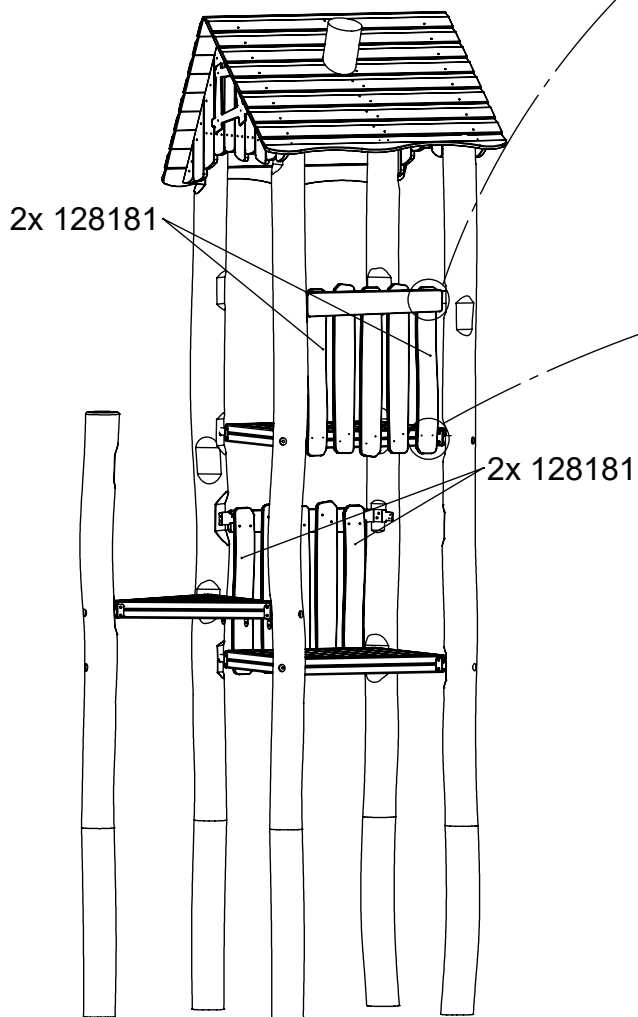


! $30\text{mm} < Y < 85\text{mm}$

128181

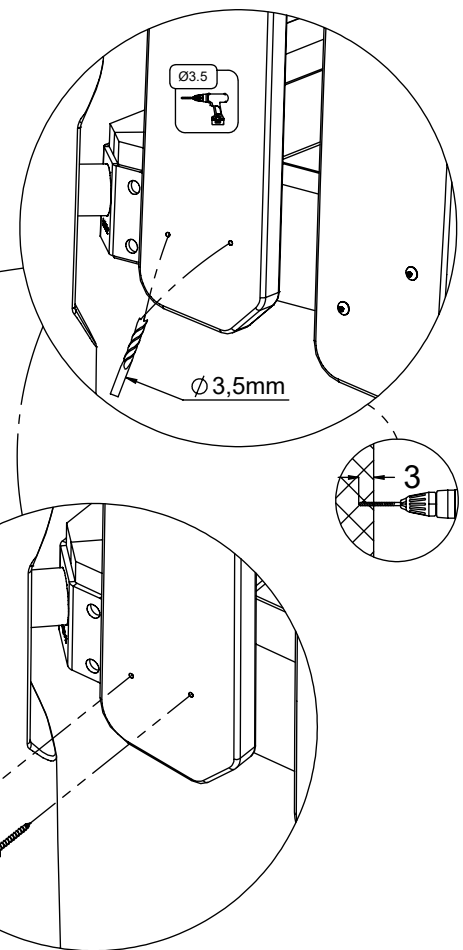
128181

8x **5x50sxs**



2x 128181

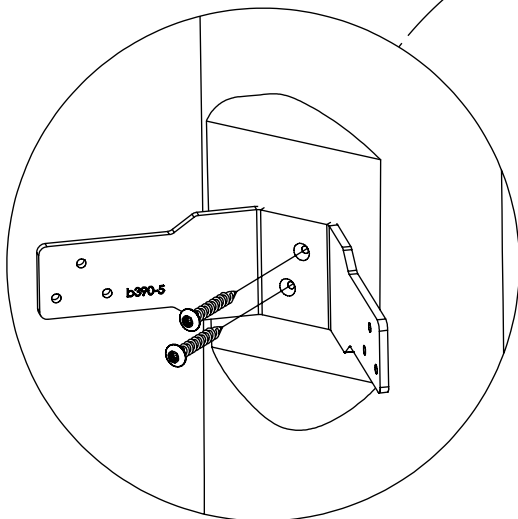
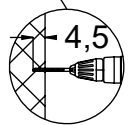
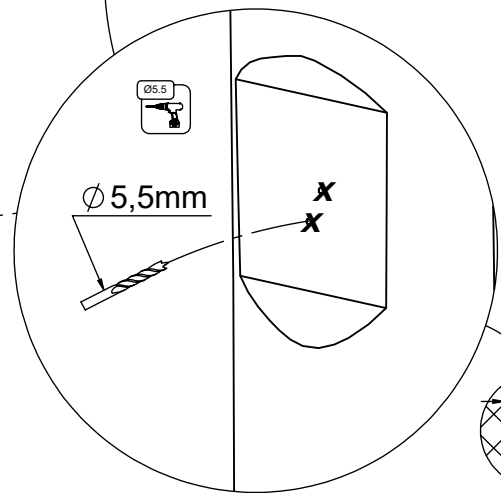
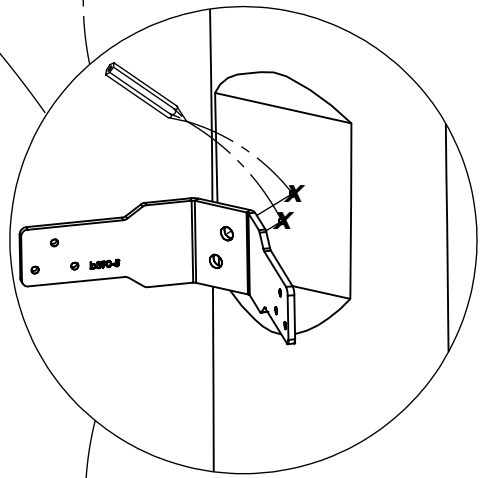
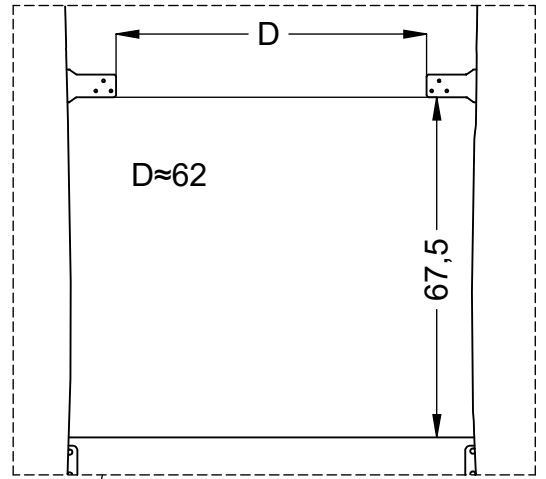
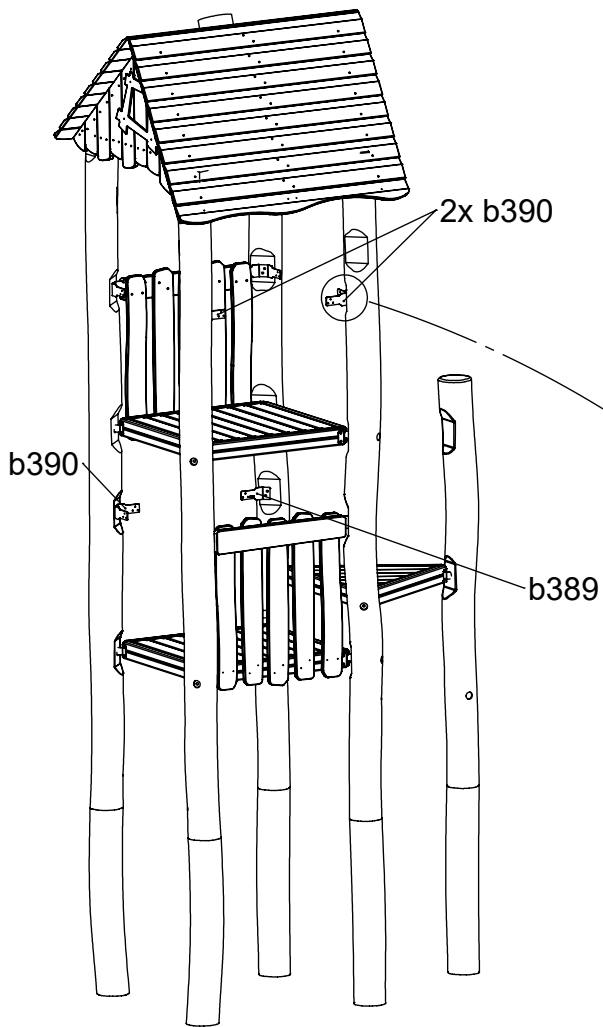
2x 128181



8x **5x50sxs**

[cm]

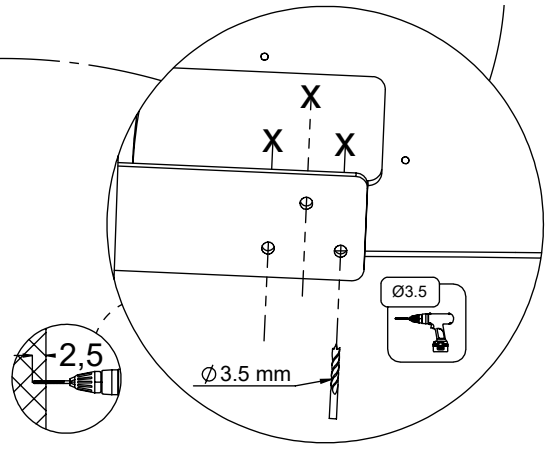
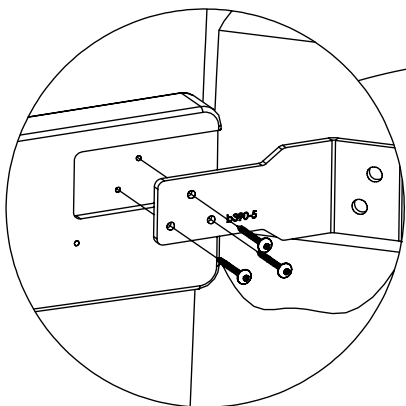
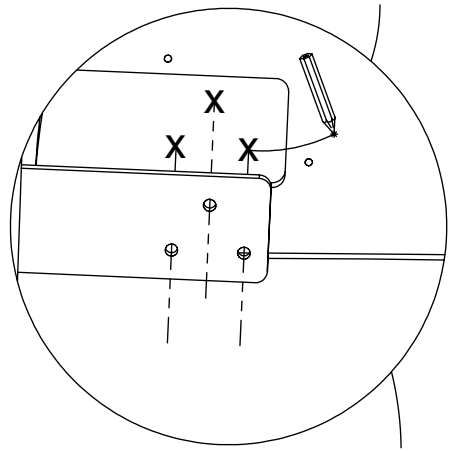
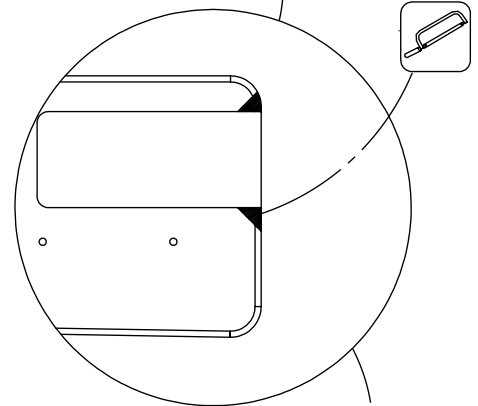
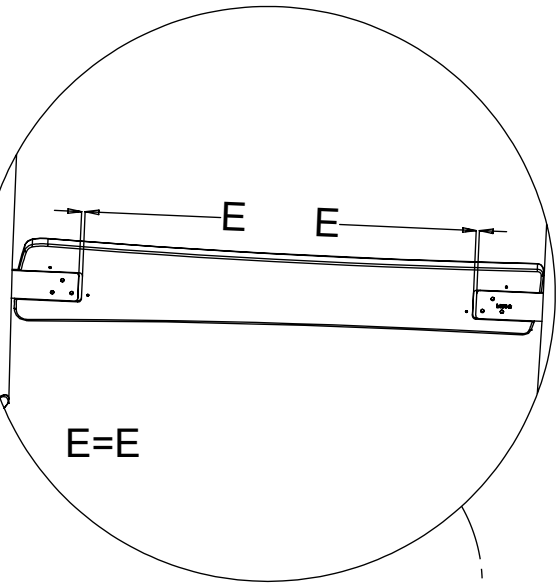
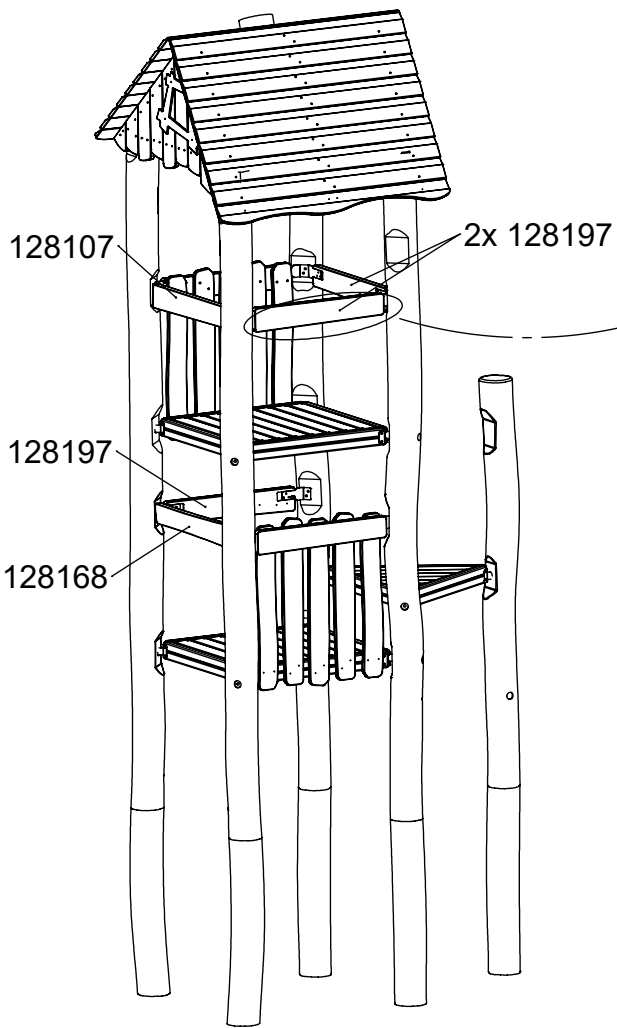
vinci
play



8x 8x50sxi

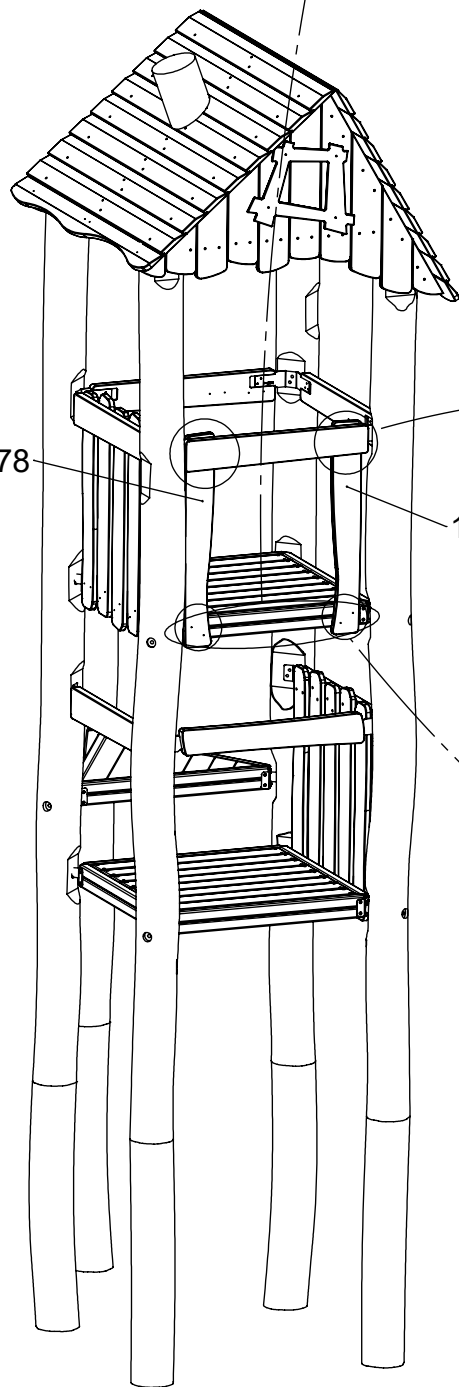
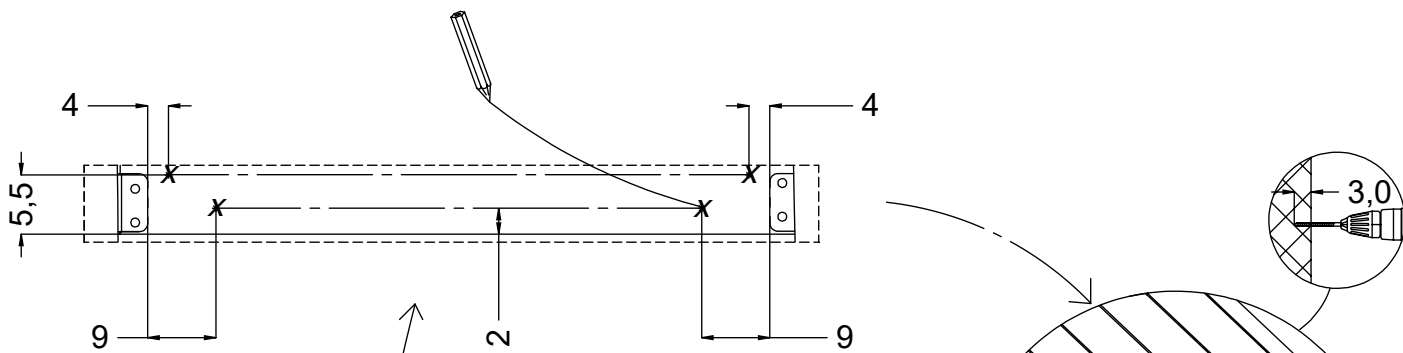
[cm]

vinci
play



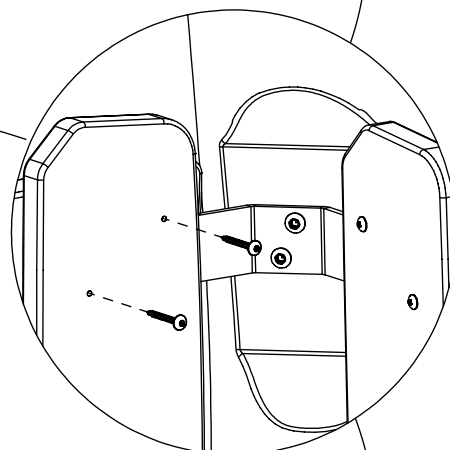
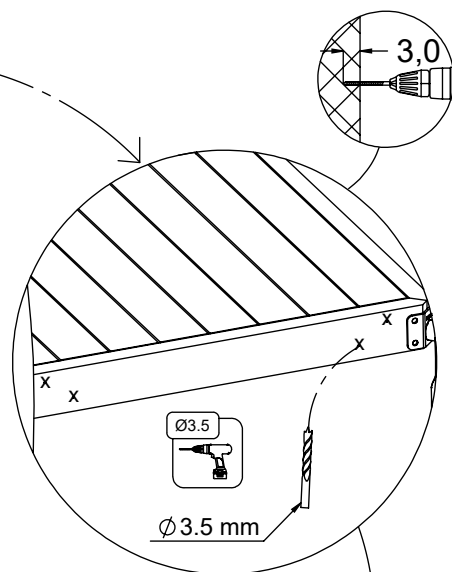
[cm]

vinci
play

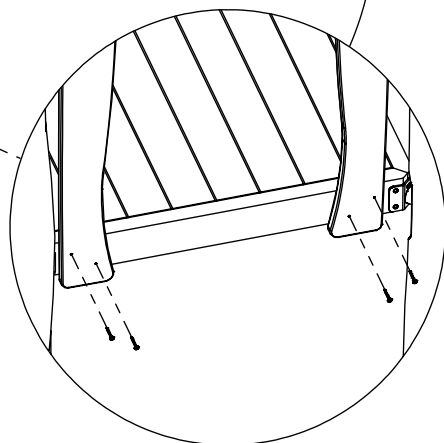


128178

128103



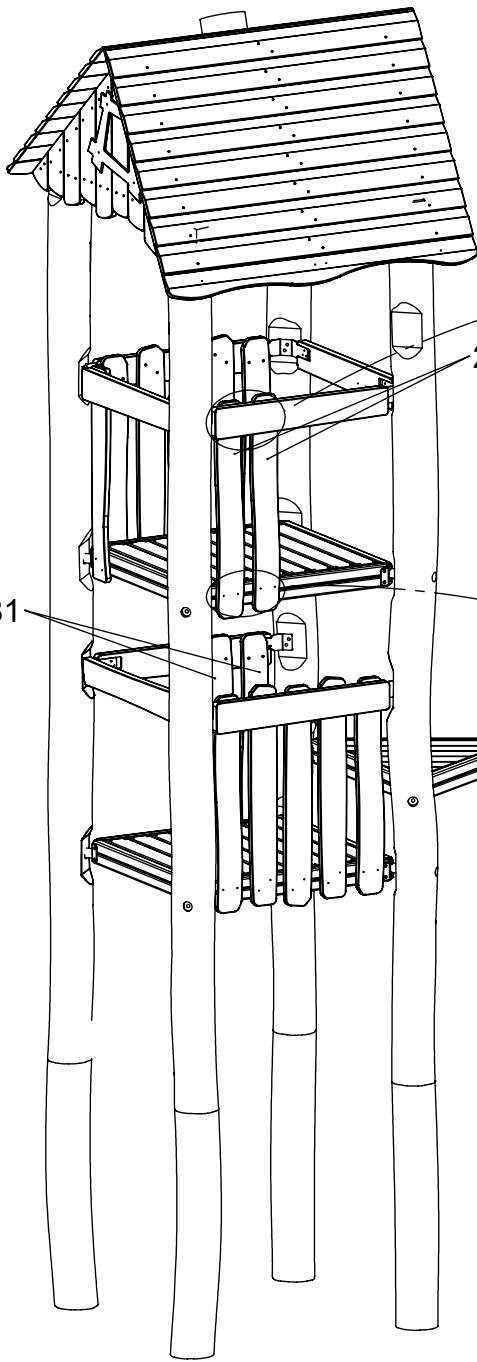
4x 5x50sxs



4x 5x50sxs

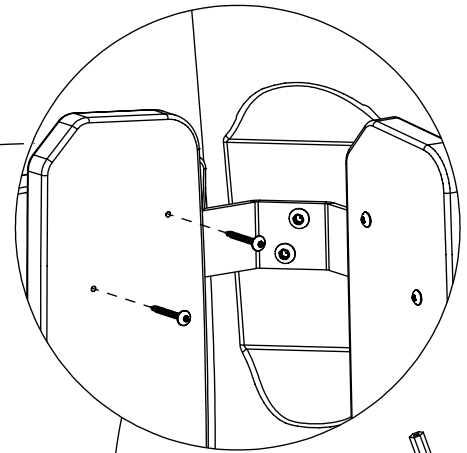
[cm]

vinci
play

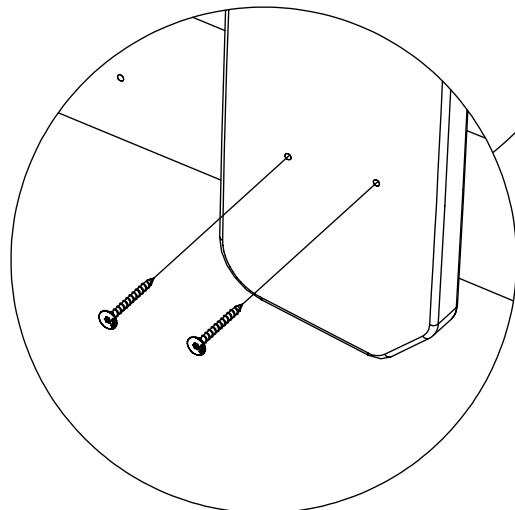
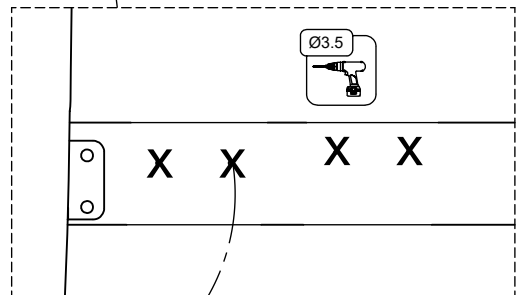
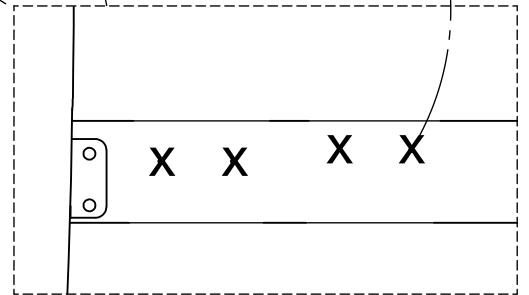


2x 128181

2x 128181



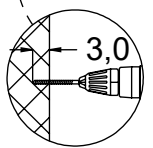
8x 5x50sxs



8x 5x50sxs



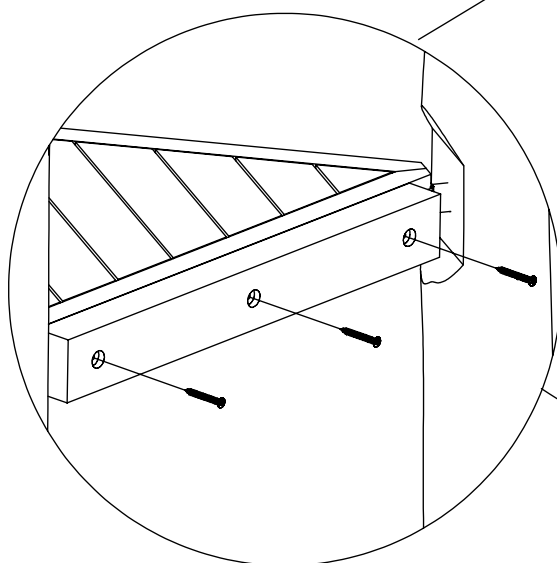
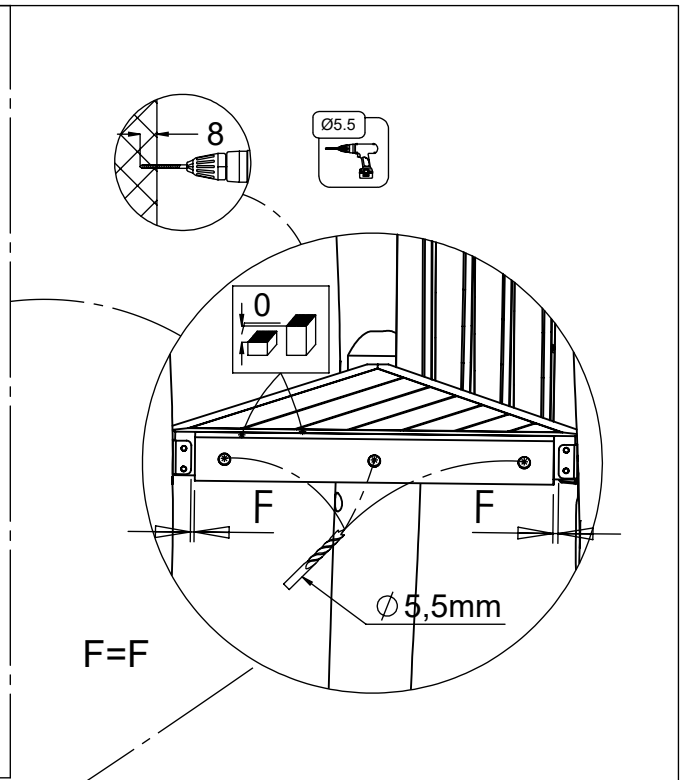
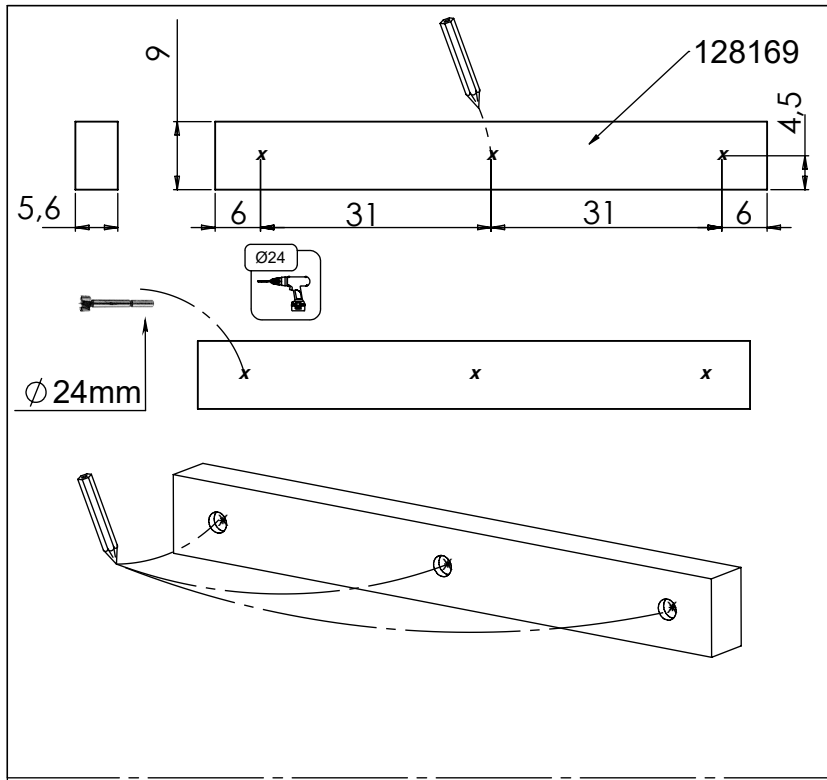
Ø 3,5mm



3,0

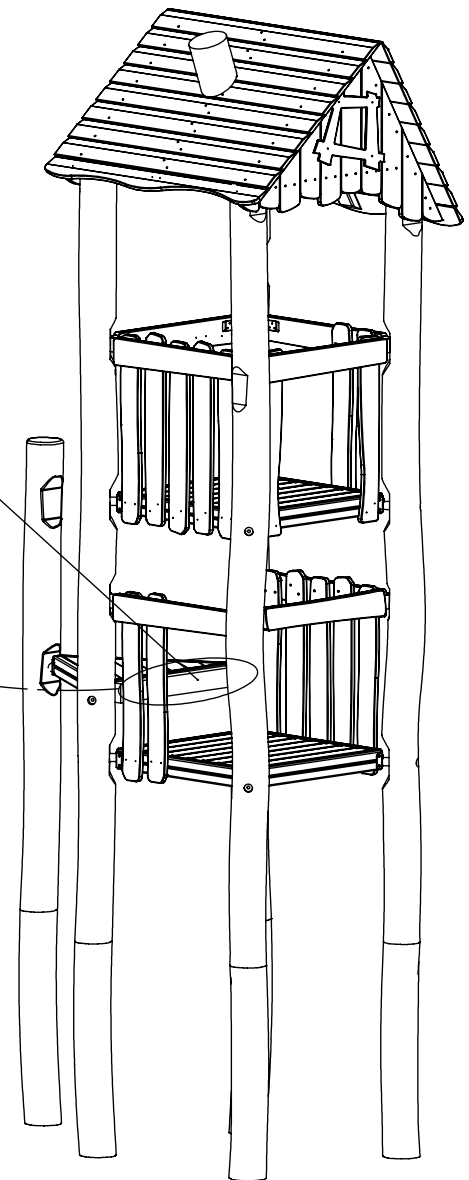
[cm]

vinci
play



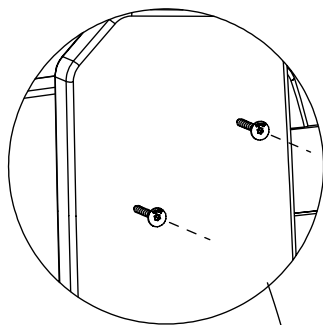
3x 8x80sxt

128169

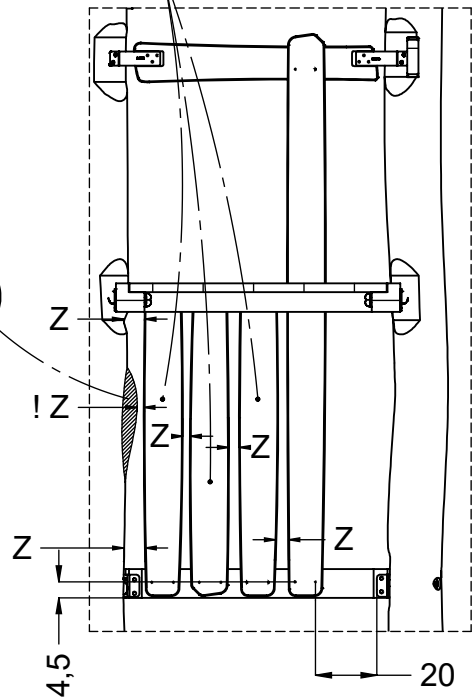
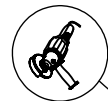


vinci play

[cm]



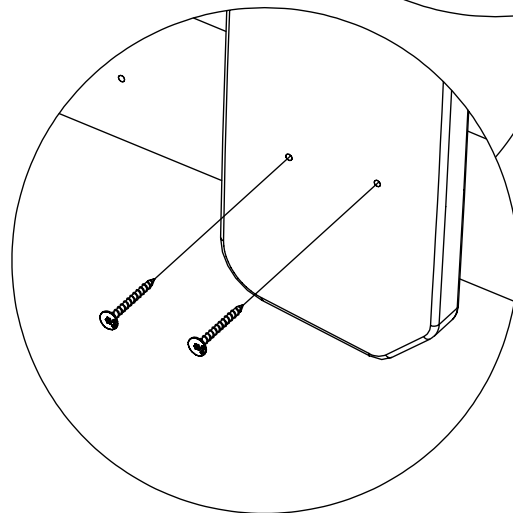
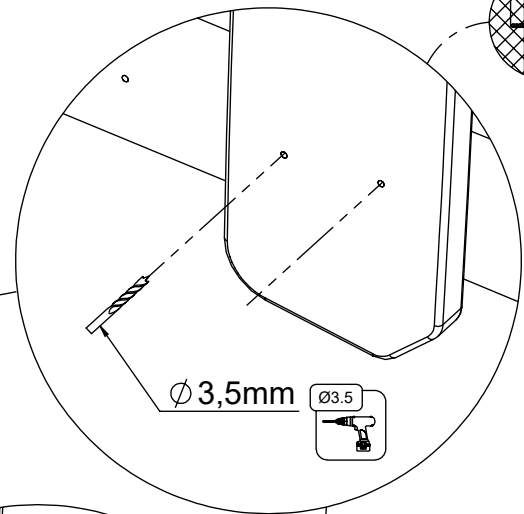
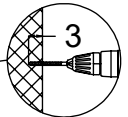
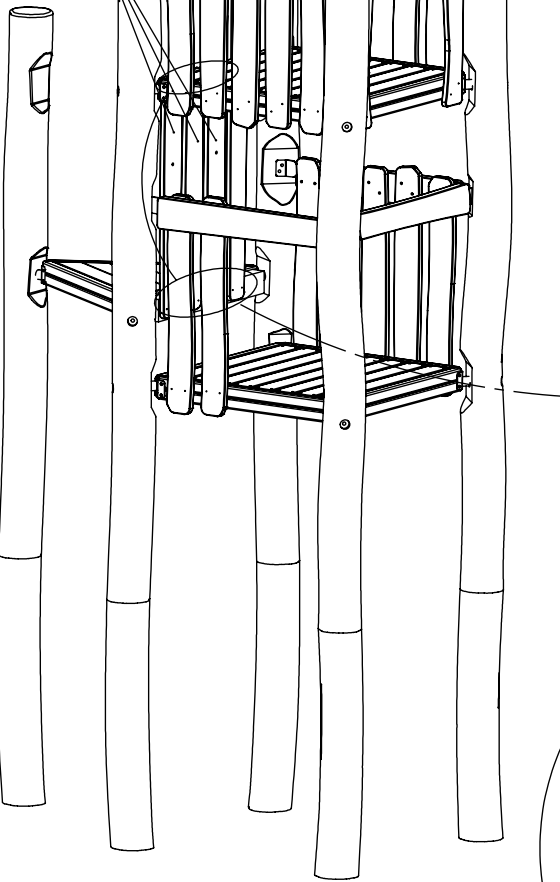
2x 5x50sxs



! 30mm < Z < 85mm

128199

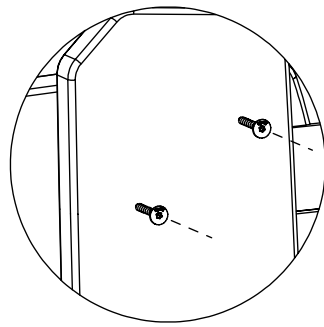
3x 128198



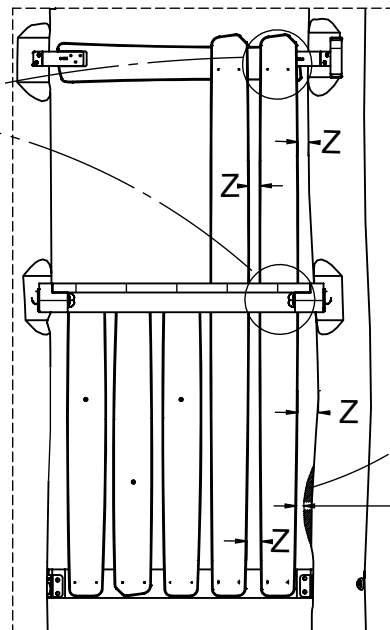
16x 5x50sxs

[cm]

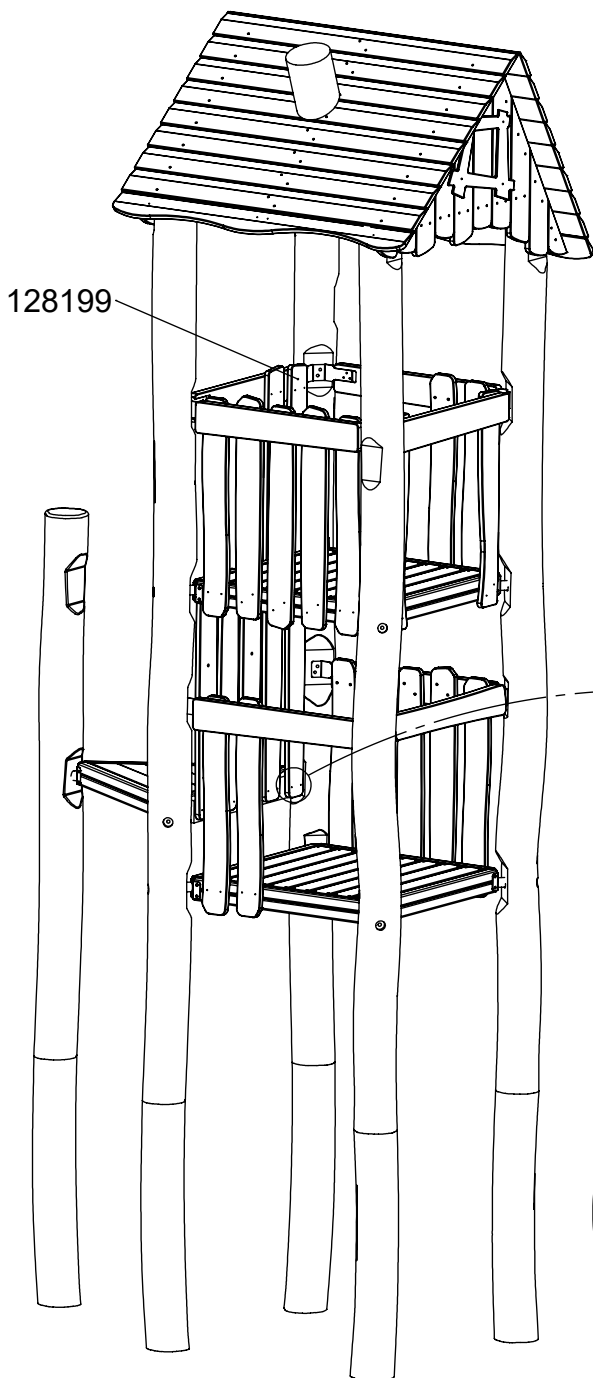
vinci play



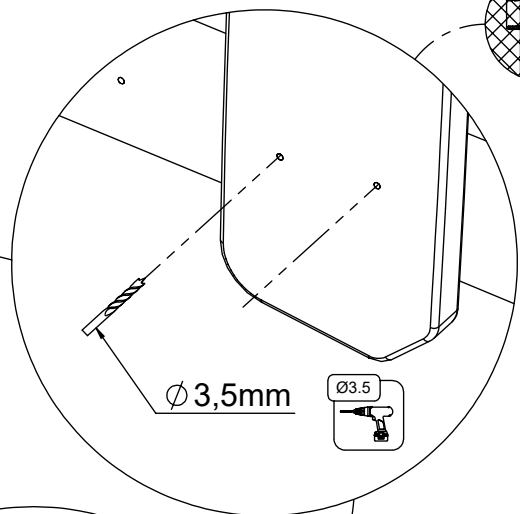
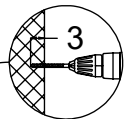
4x 5x50sxs



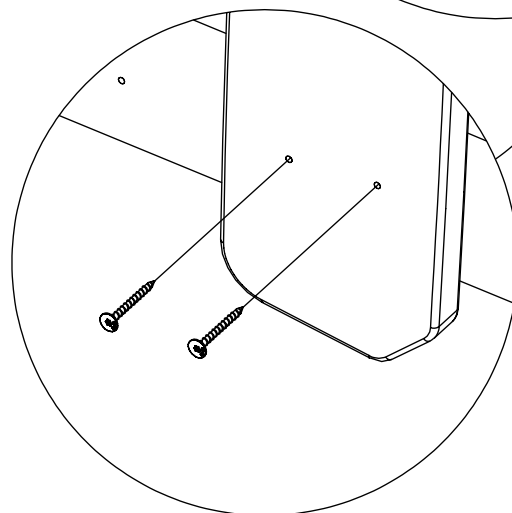
! 30mm < Z < 85mm



128199



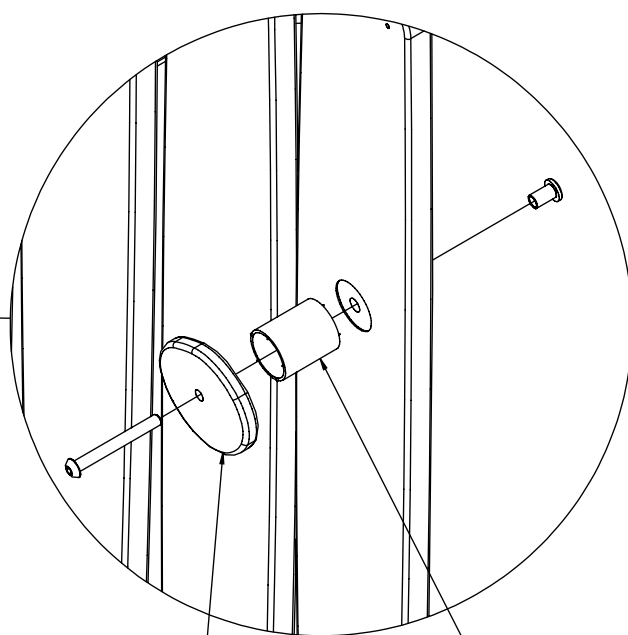
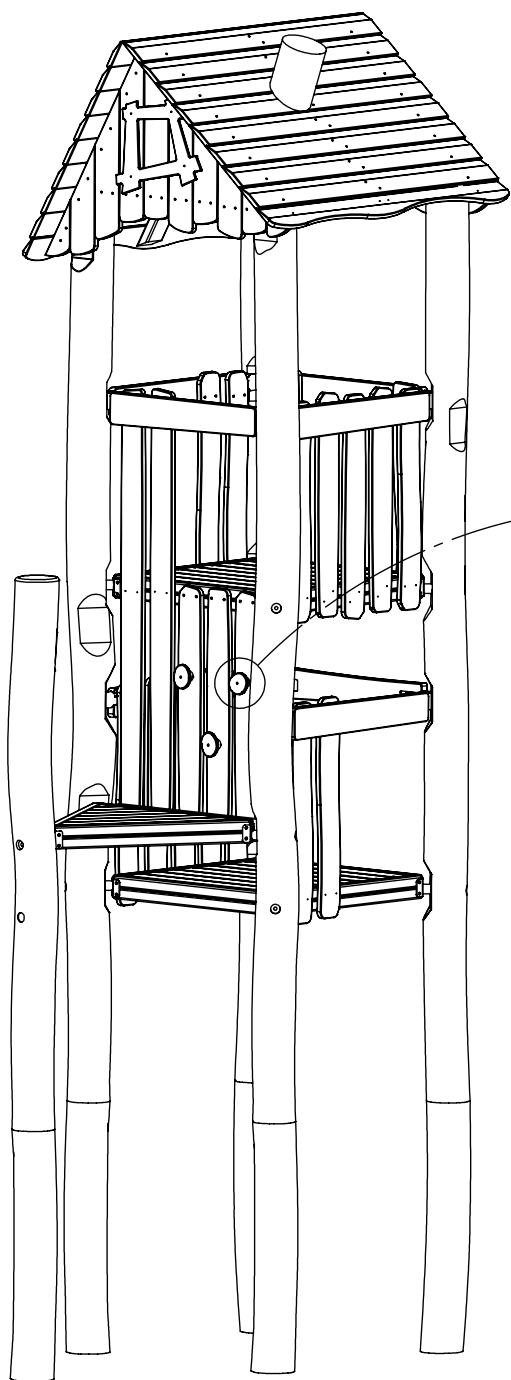
Ø 3,5mm



2x 5x50sxs

[cm]

vinci
play



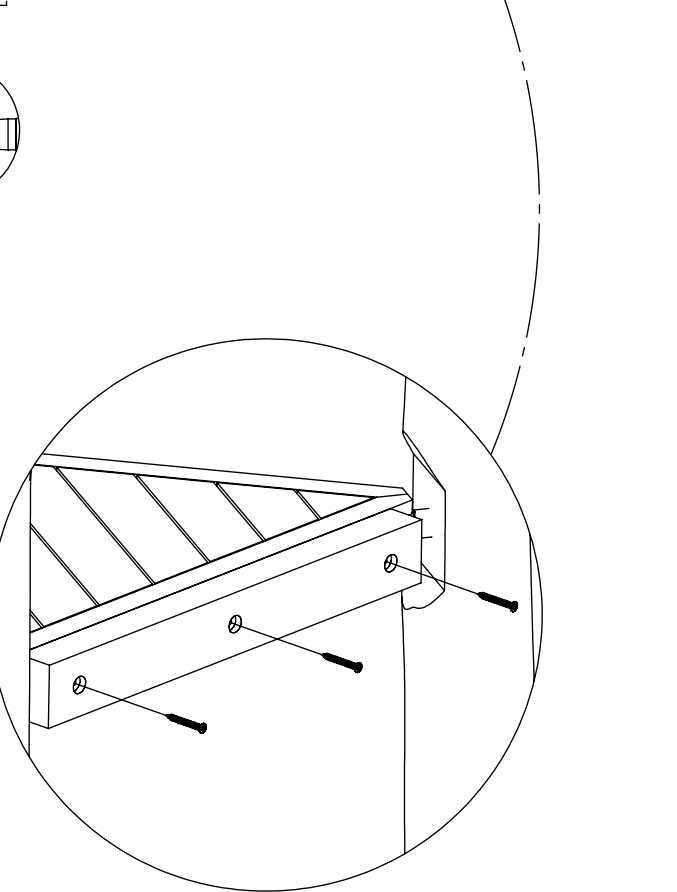
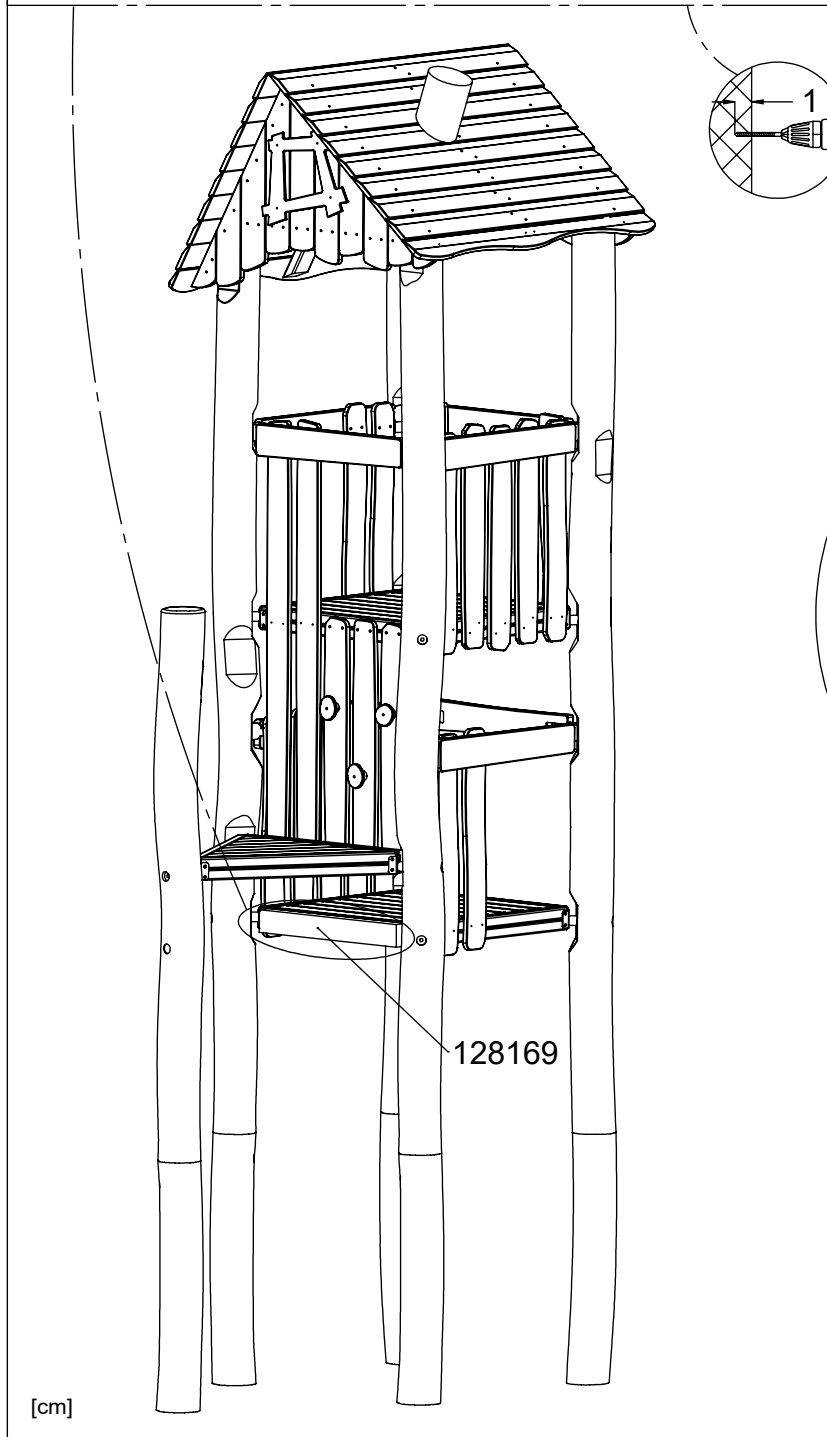
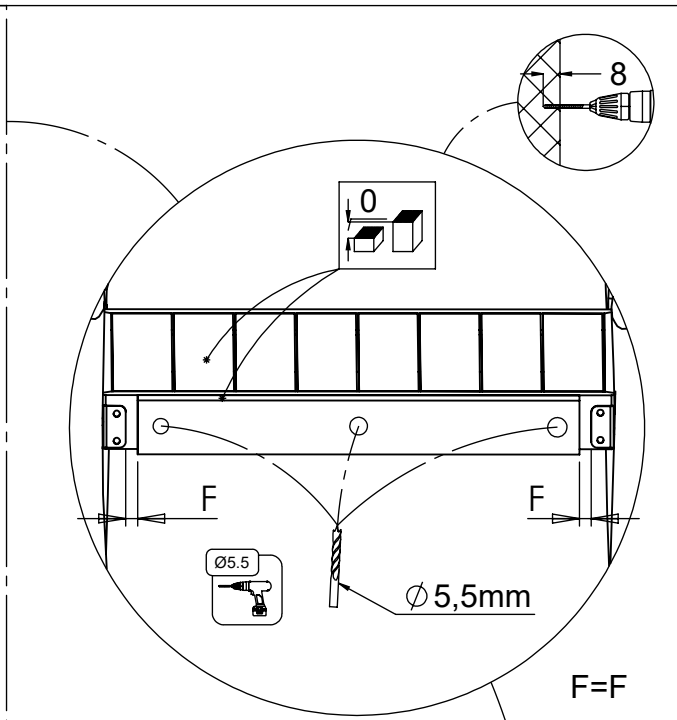
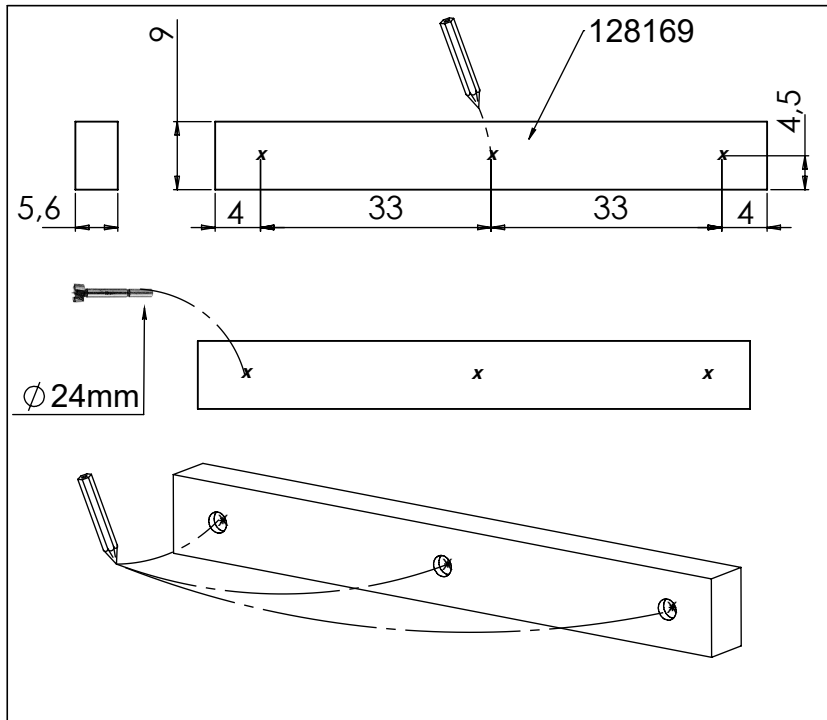
3x 121110

1x 12e065

3x 123103

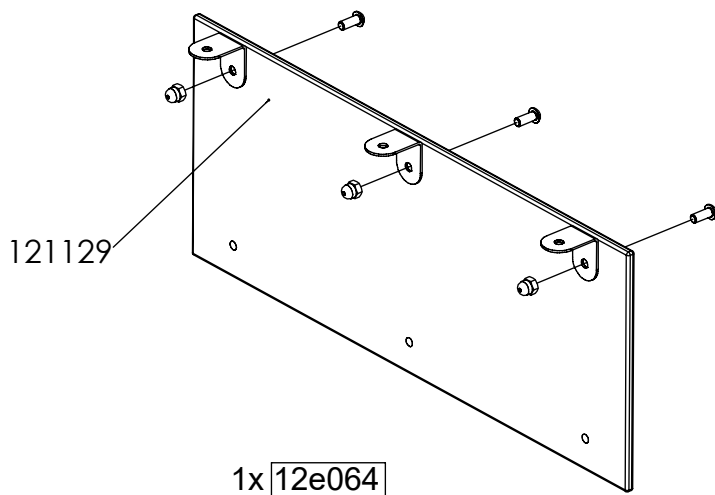
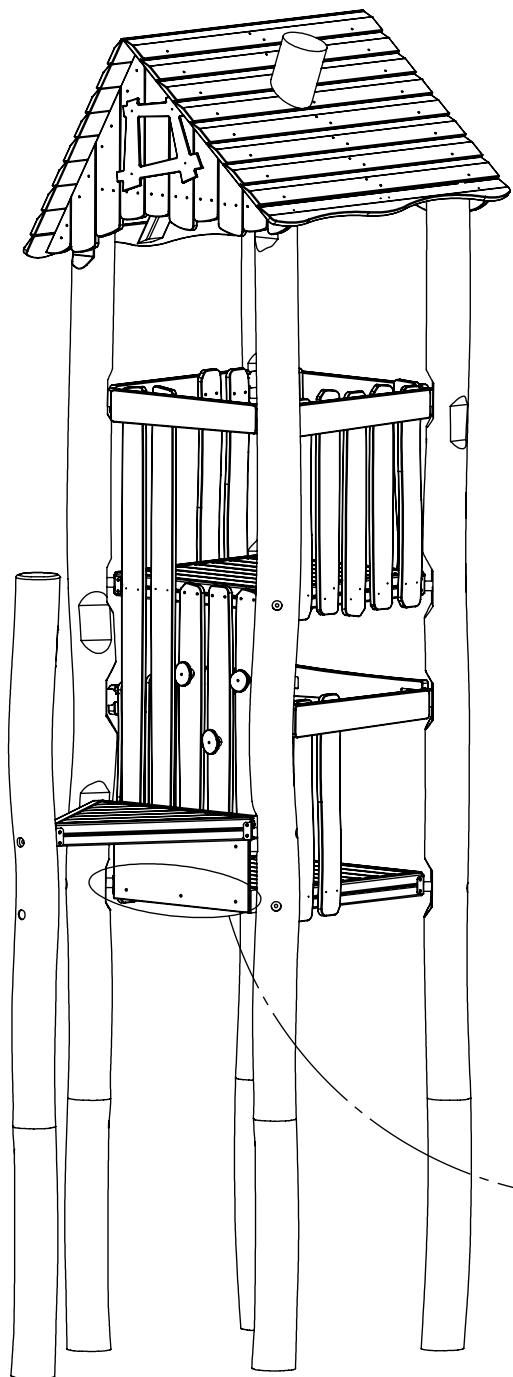
[cm]

vinci
play

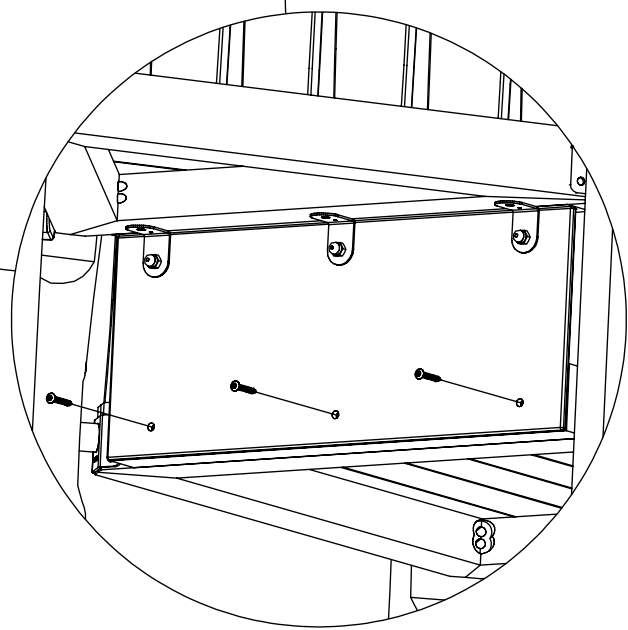
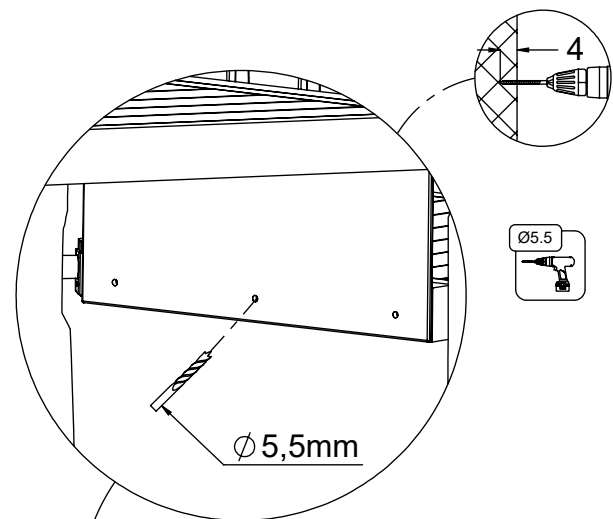


[cm]

vinci
play



1x 12e064

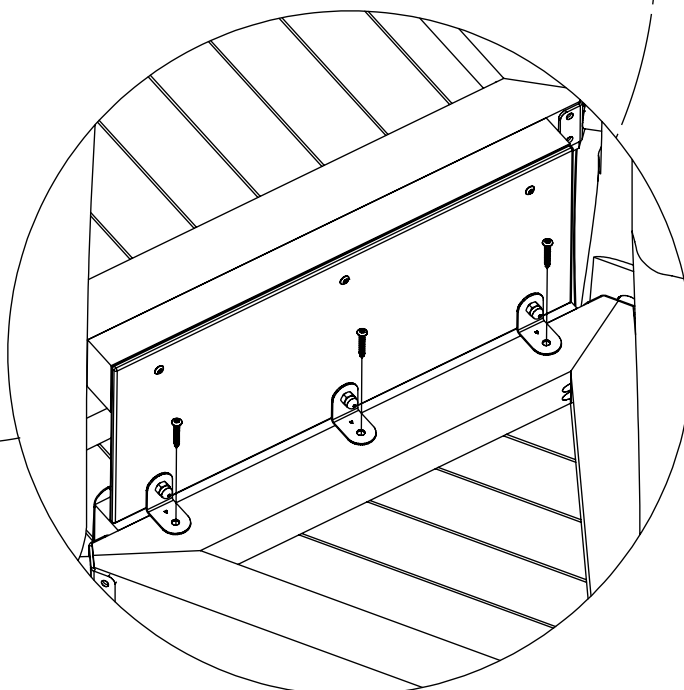
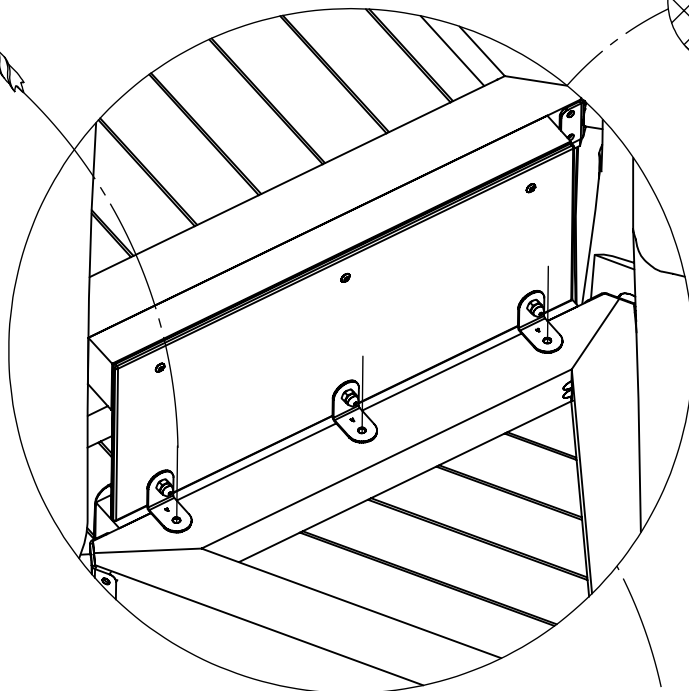
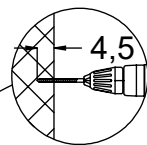


3x 8x50sxi

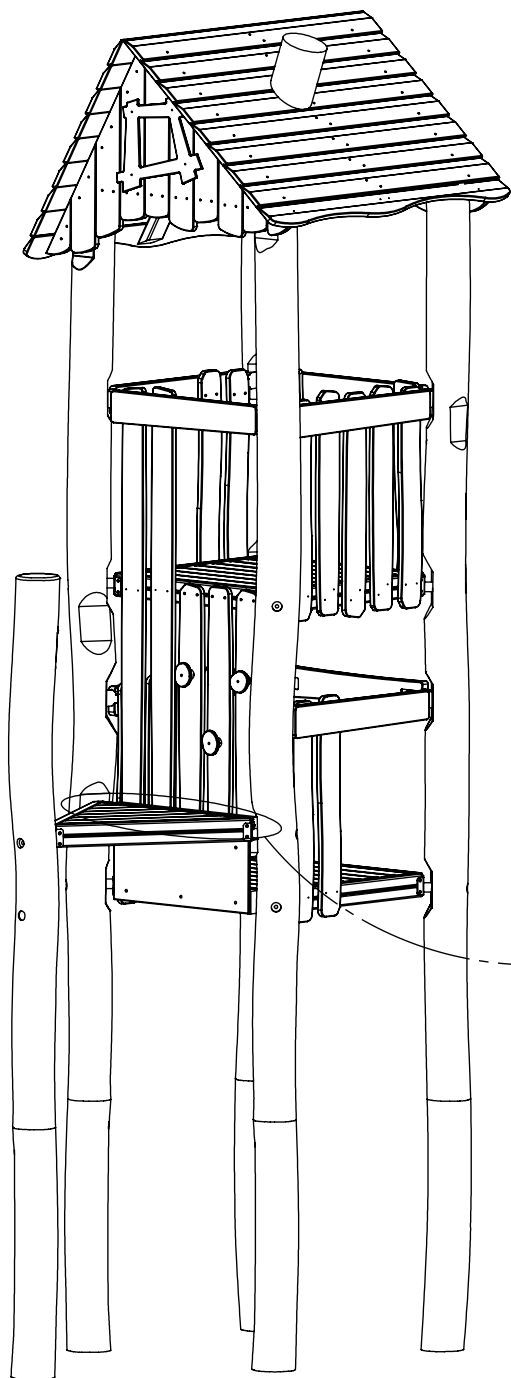
[cm]

vinci
play

Ø 5,5mm



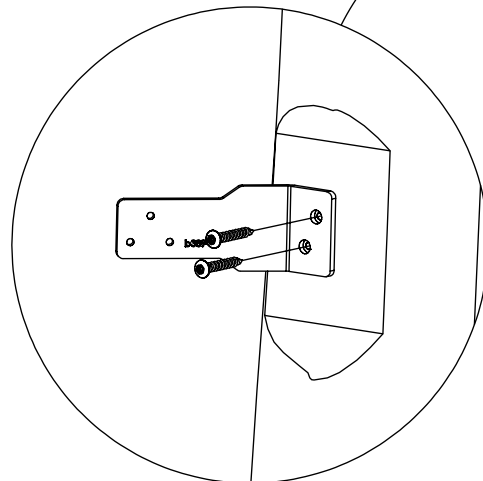
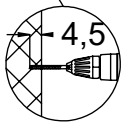
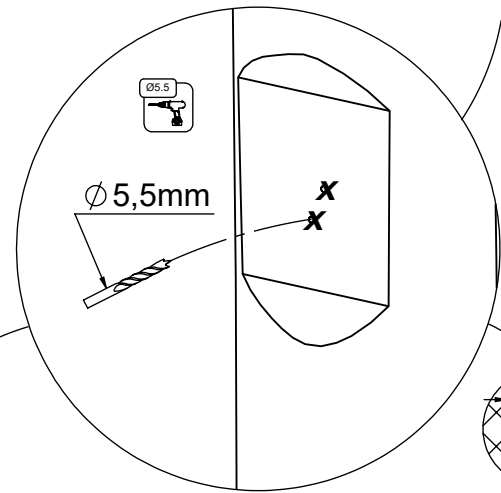
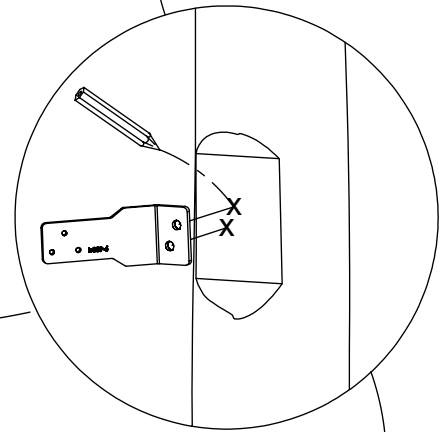
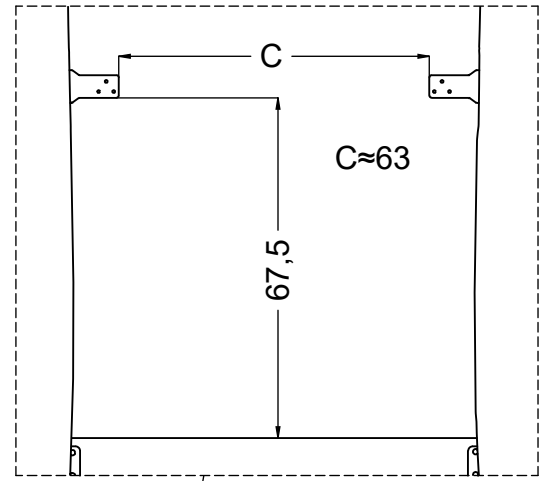
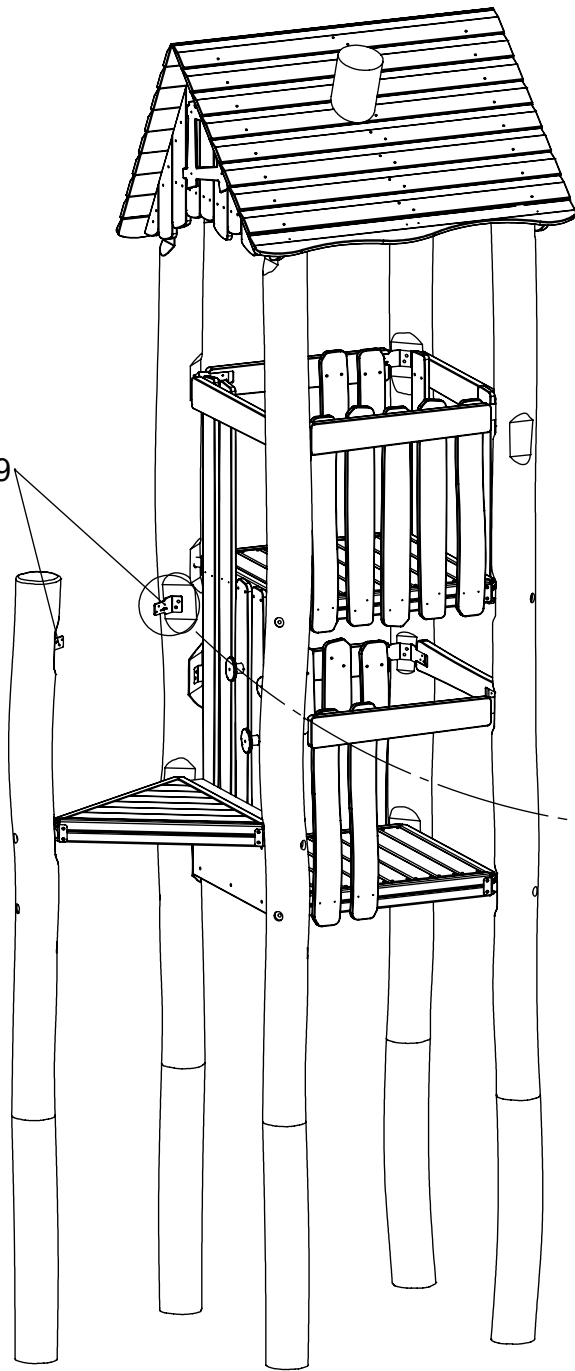
3x 8x50sxi



[cm]

vinci
play

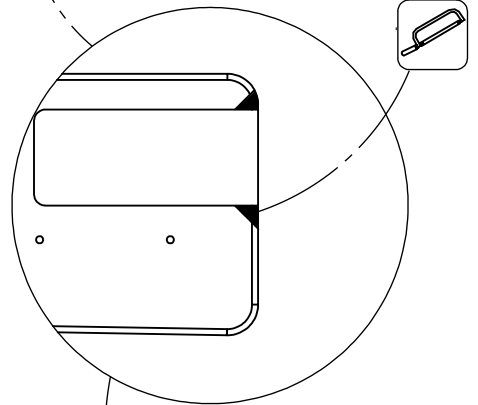
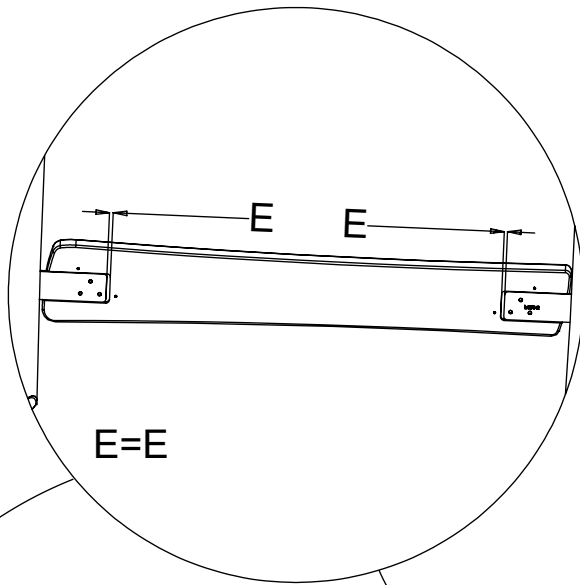
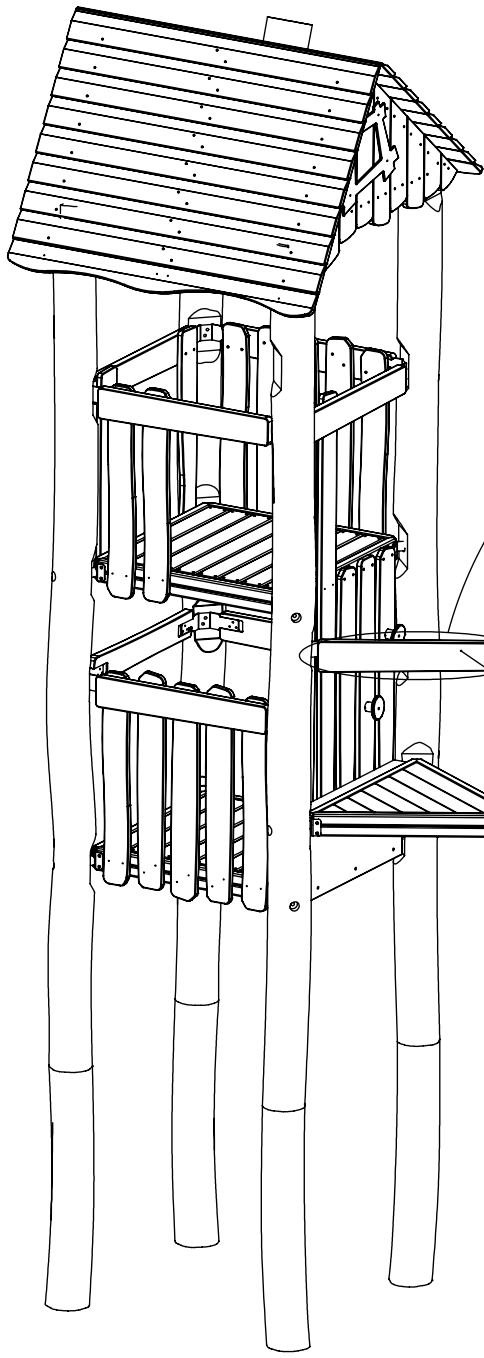
2x b399



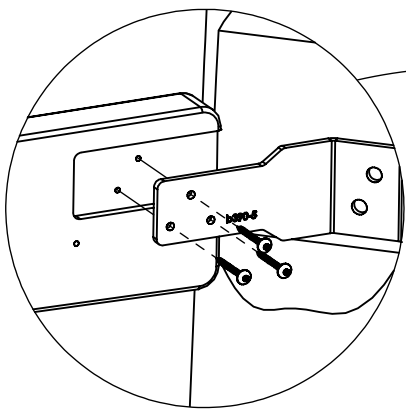
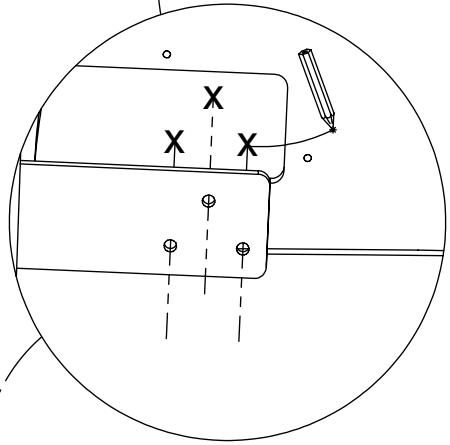
4x 8x50sxi

[cm]

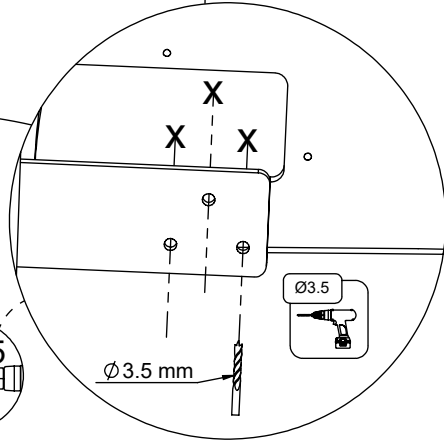
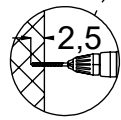
vinci
play



128107

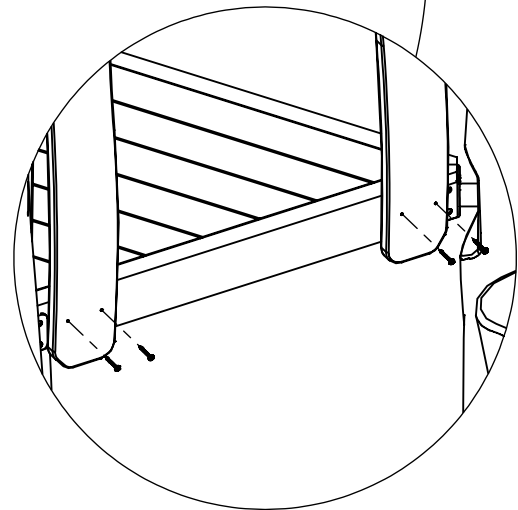
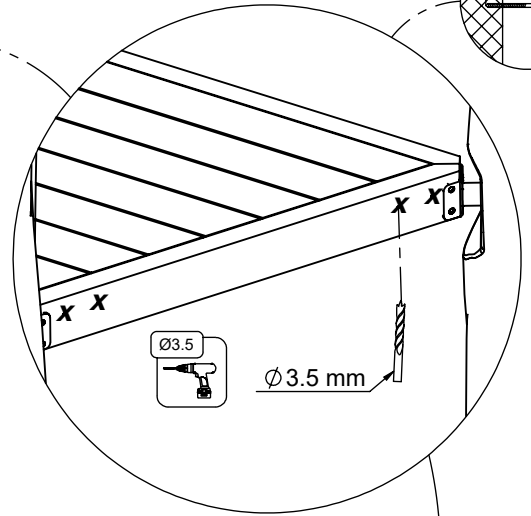
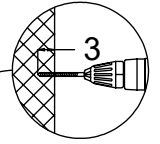
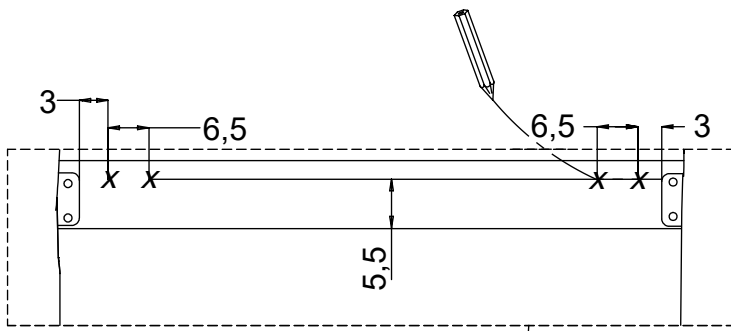


6x 5x30sxs

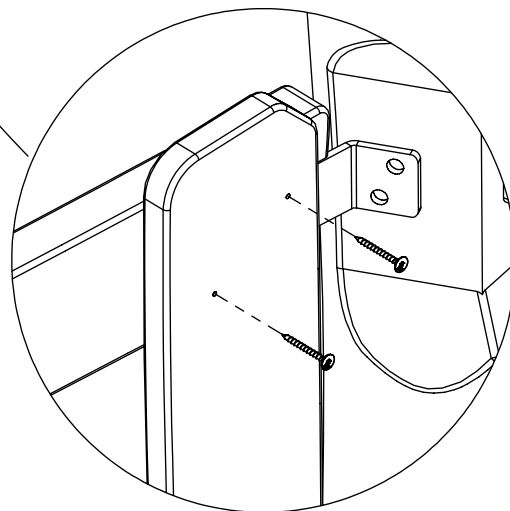


[cm]

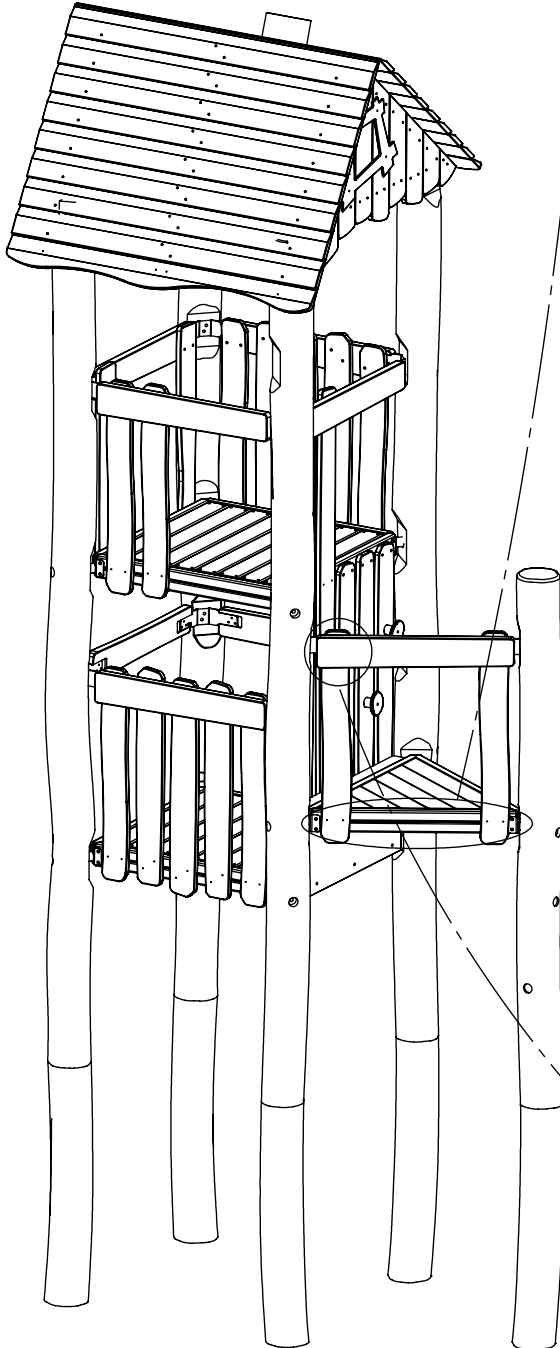
vinci
play



4x 5x50sxs

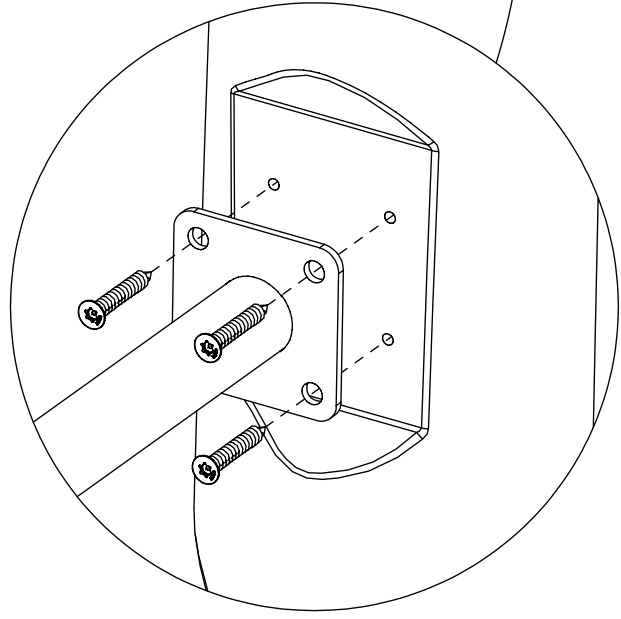
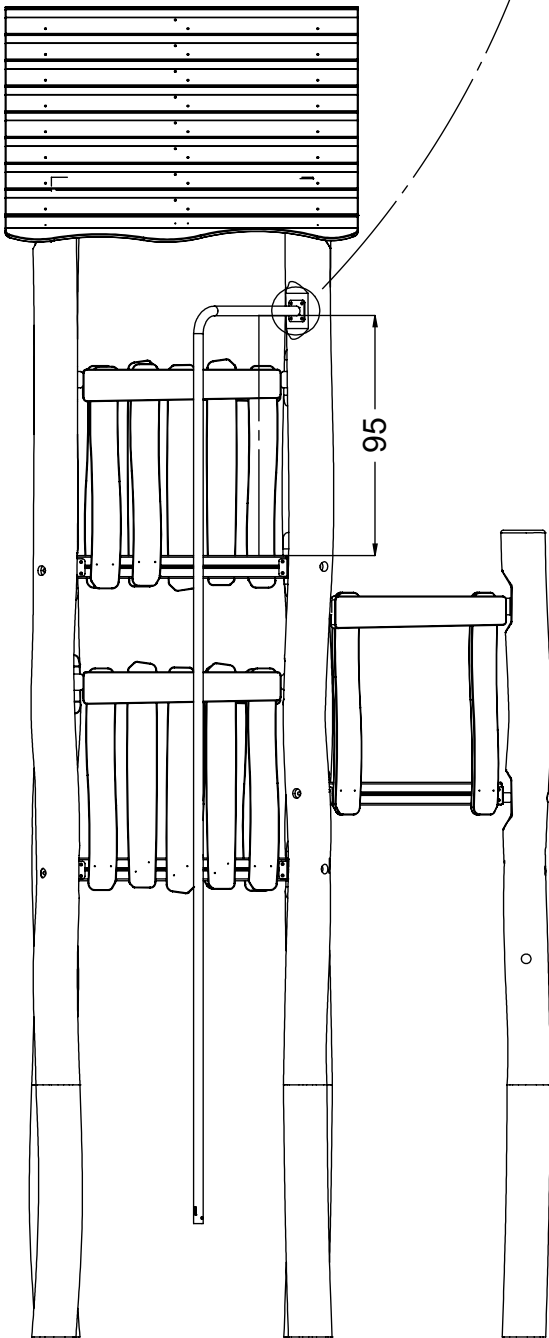
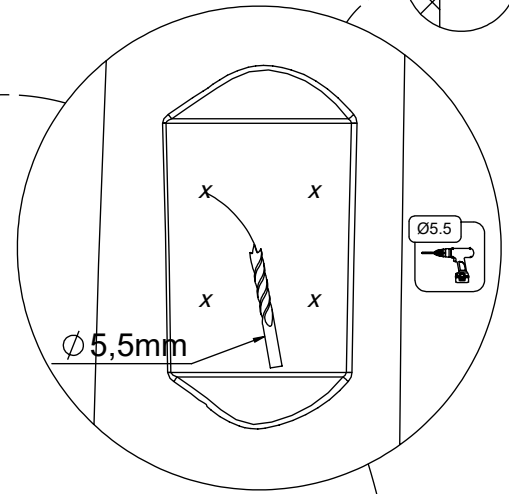
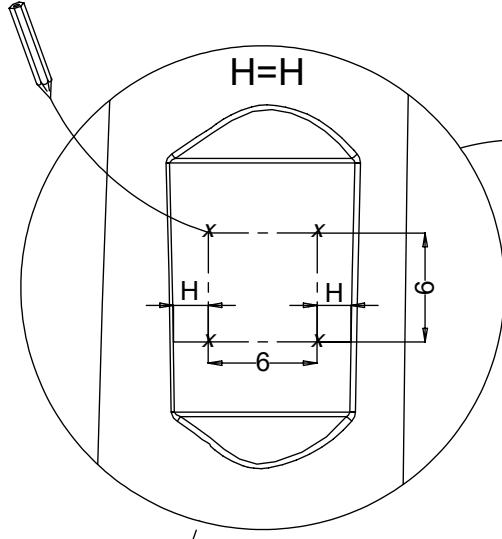
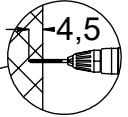


4x 5x50sxs



[cm]

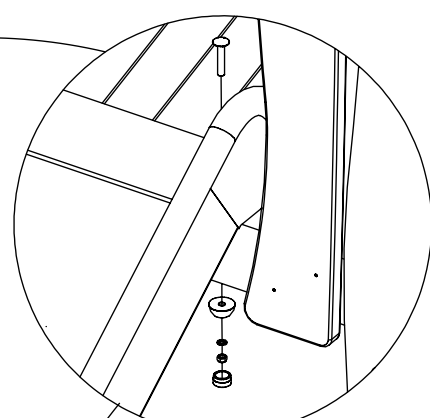
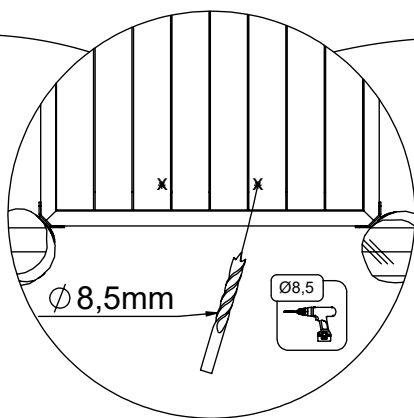
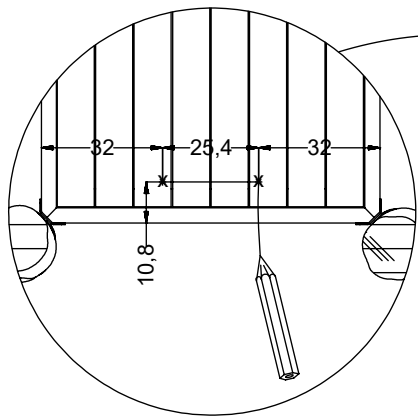
vinci
play



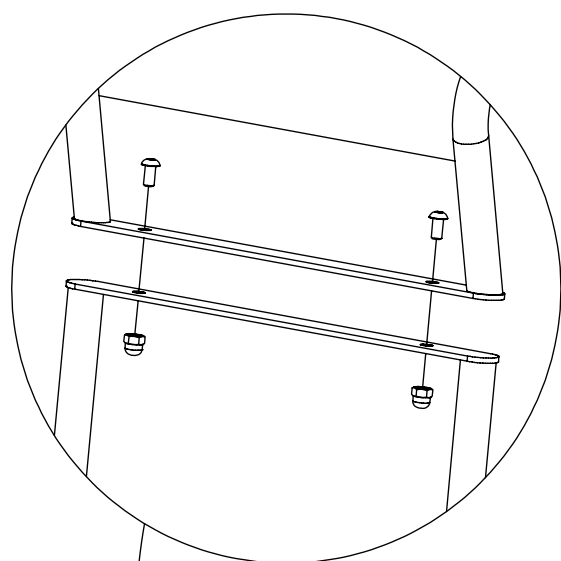
4x 8x50sxi

[cm]

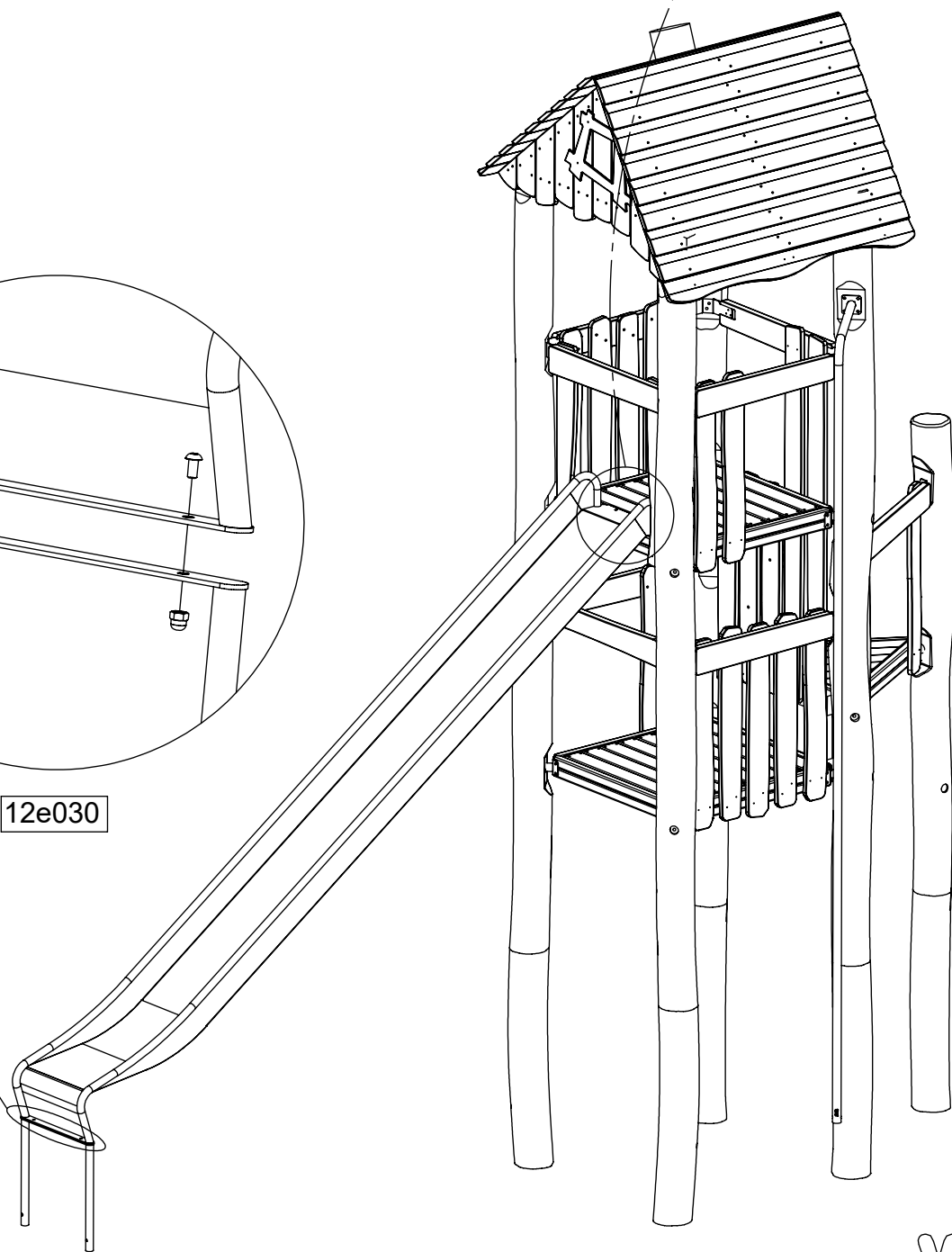
vinci play



1x 12e019

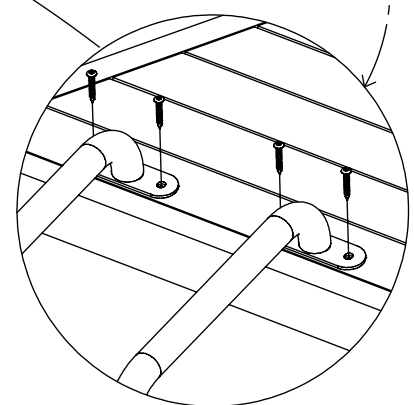
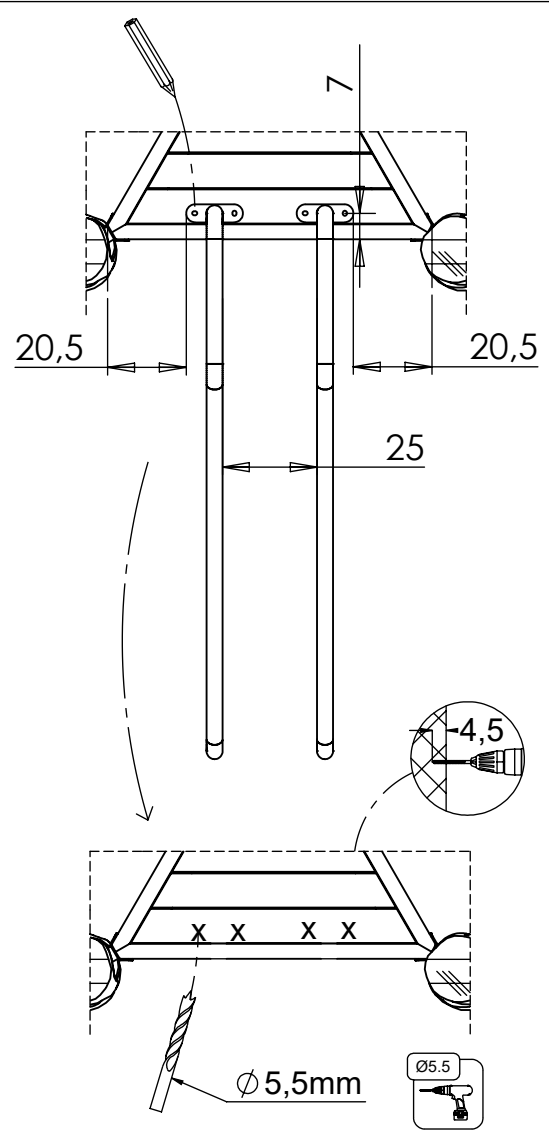
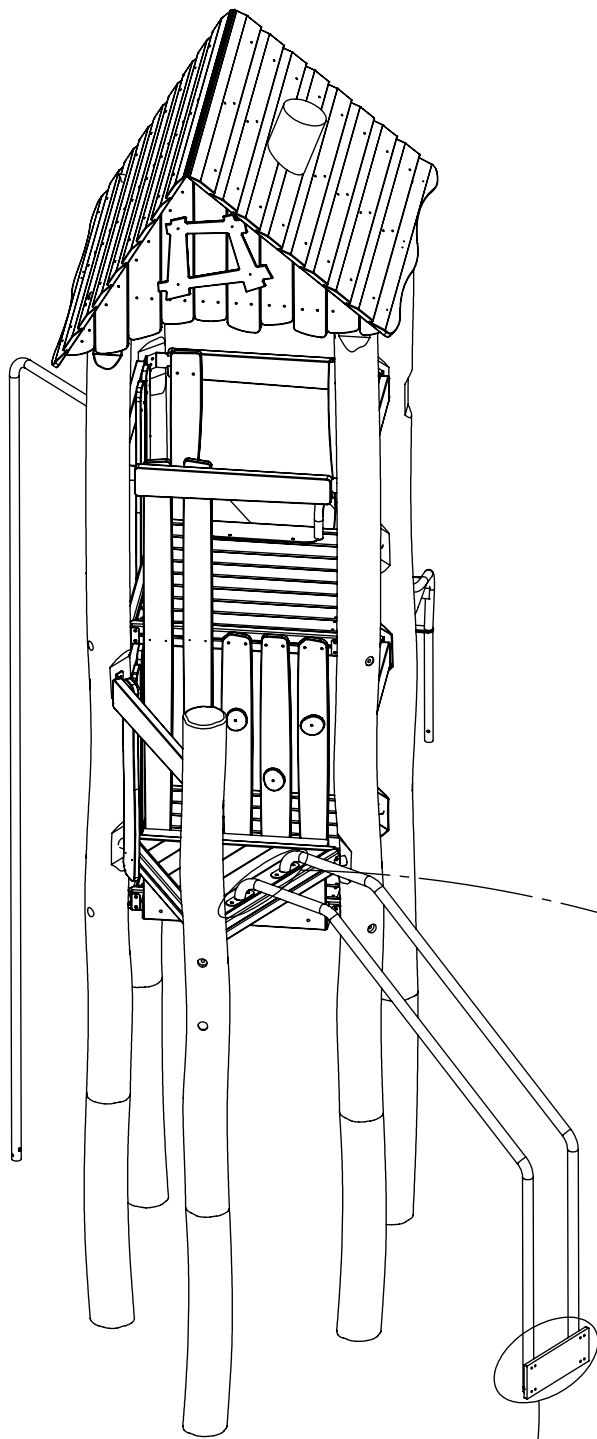


1x 12e030

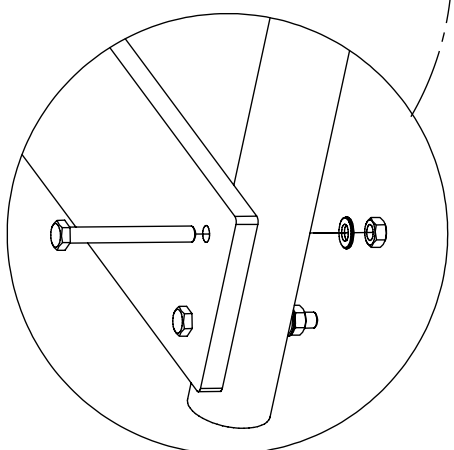


[cm]

vinci
play



4x 8x50sxi



1x E44

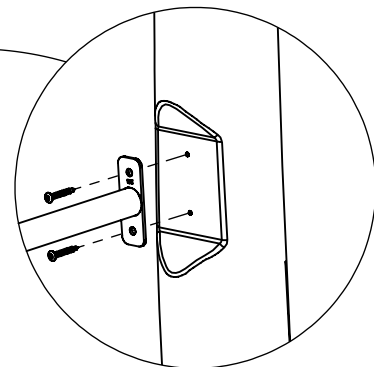
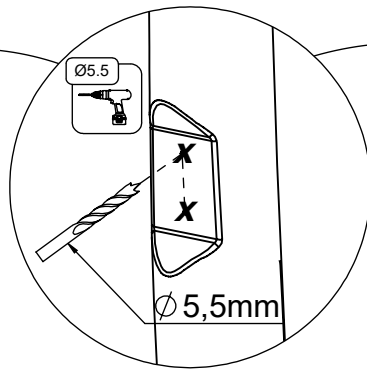
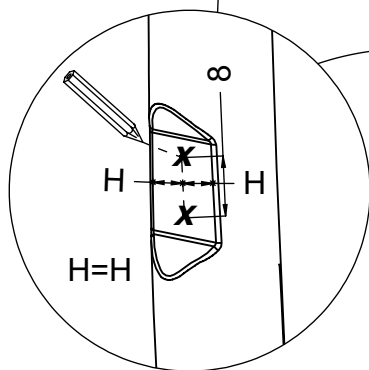
[cm]

vinci
play

127476

28

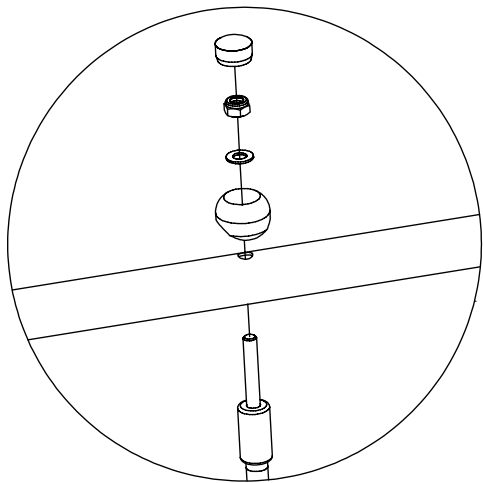
58



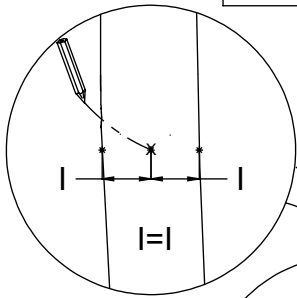
4x 8x50sxi

[cm]

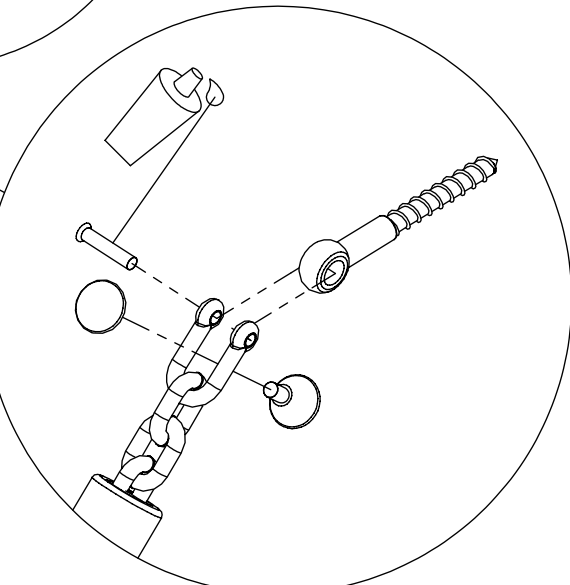
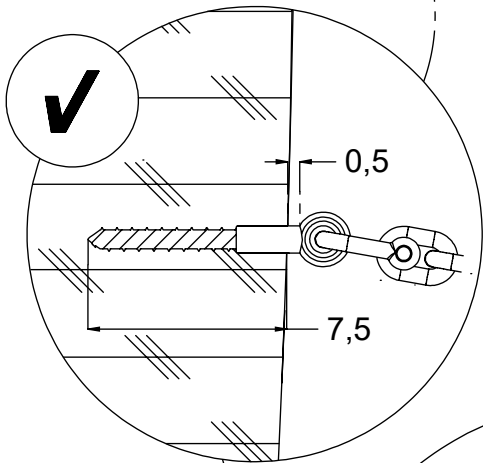
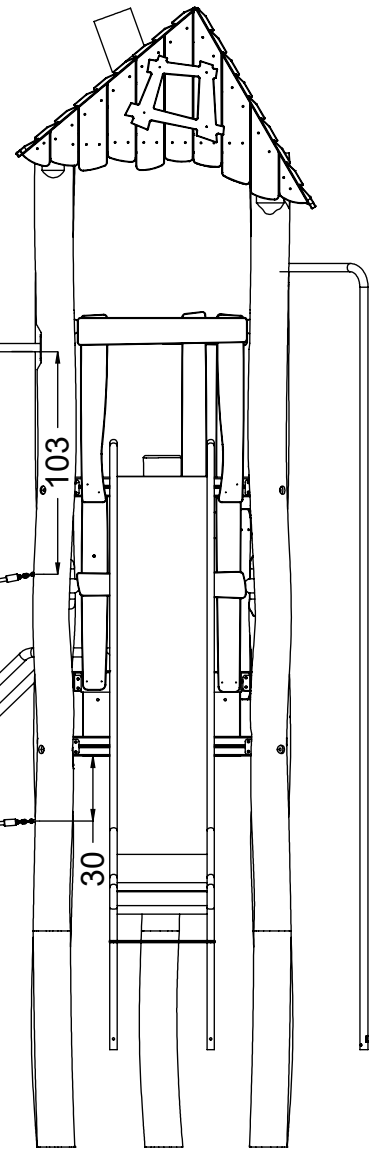
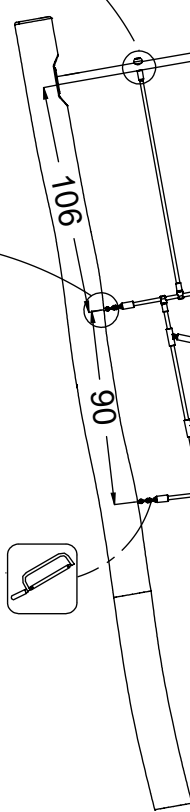
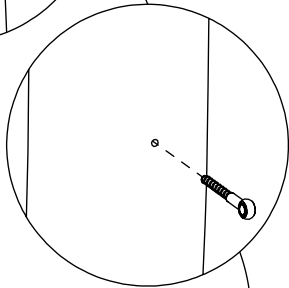
vinci
play



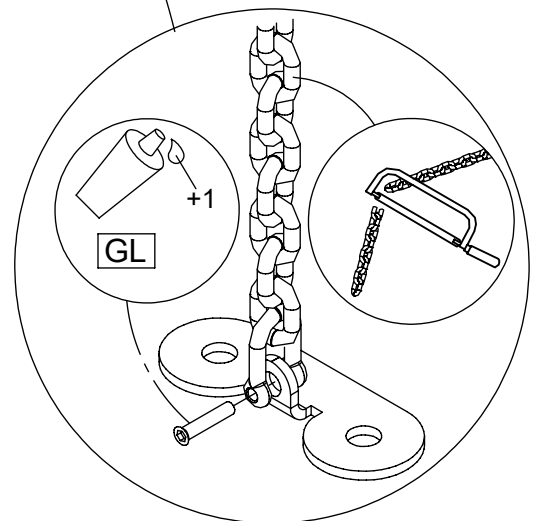
1x 12e035



l=l



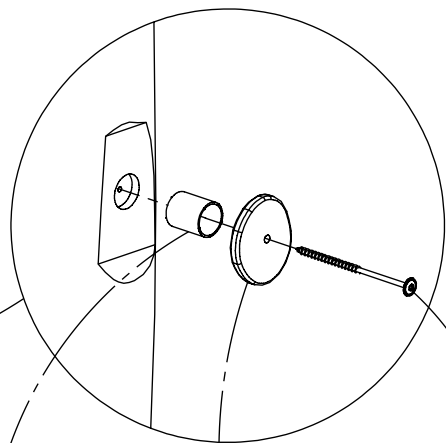
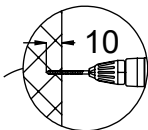
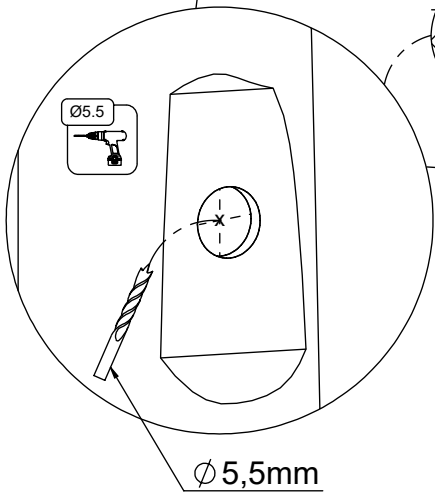
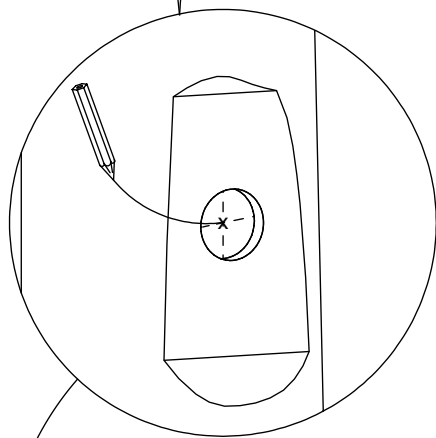
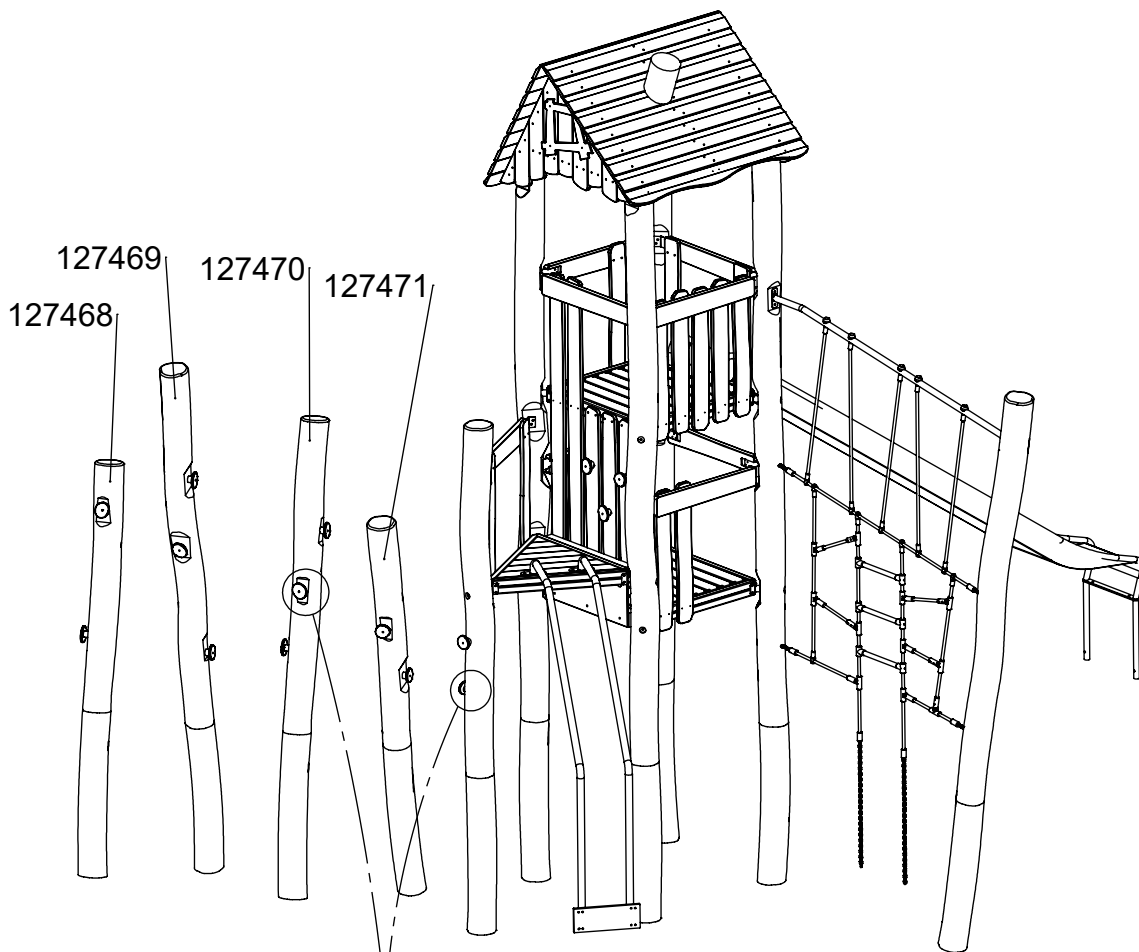
2x 12e007



2x 12e052

[cm]

vinci play



17x 123103

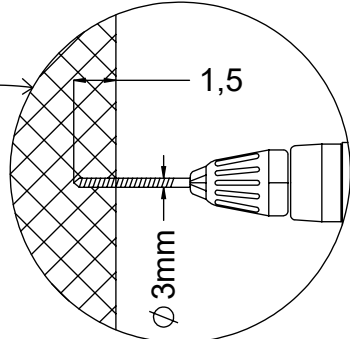
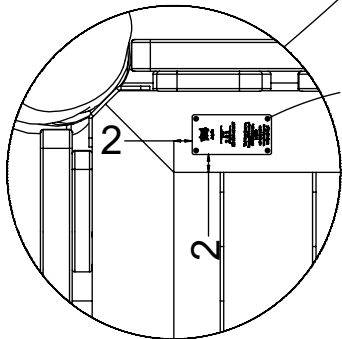
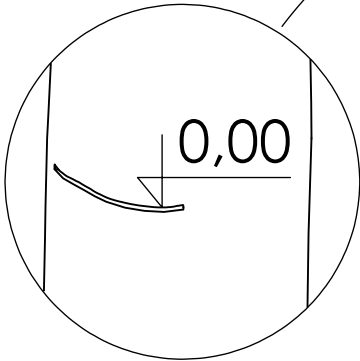
17x 121110

17x 8x160sxt

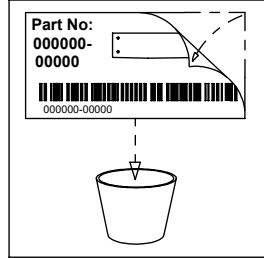
[cm]

vinci
play

48h



V001



[cm]

vinci
play