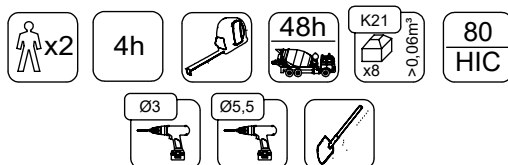
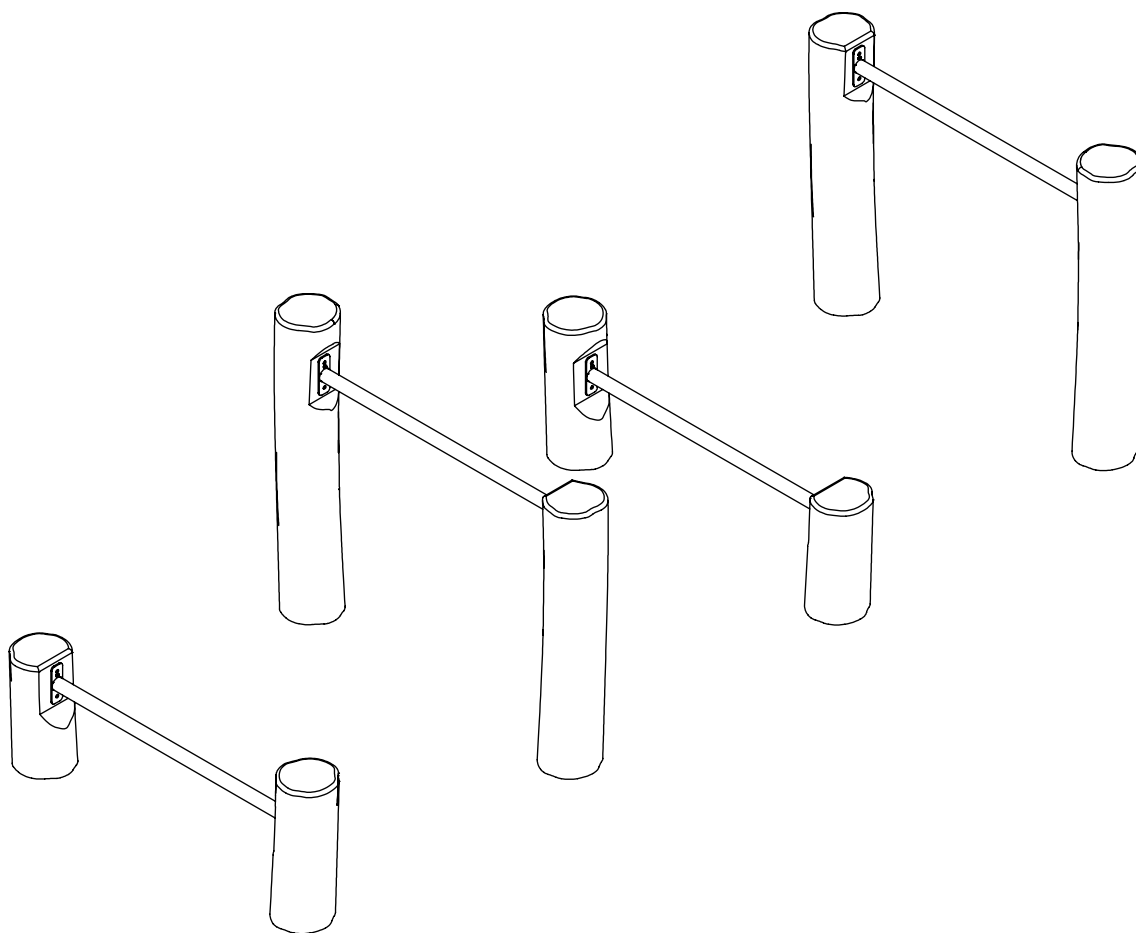
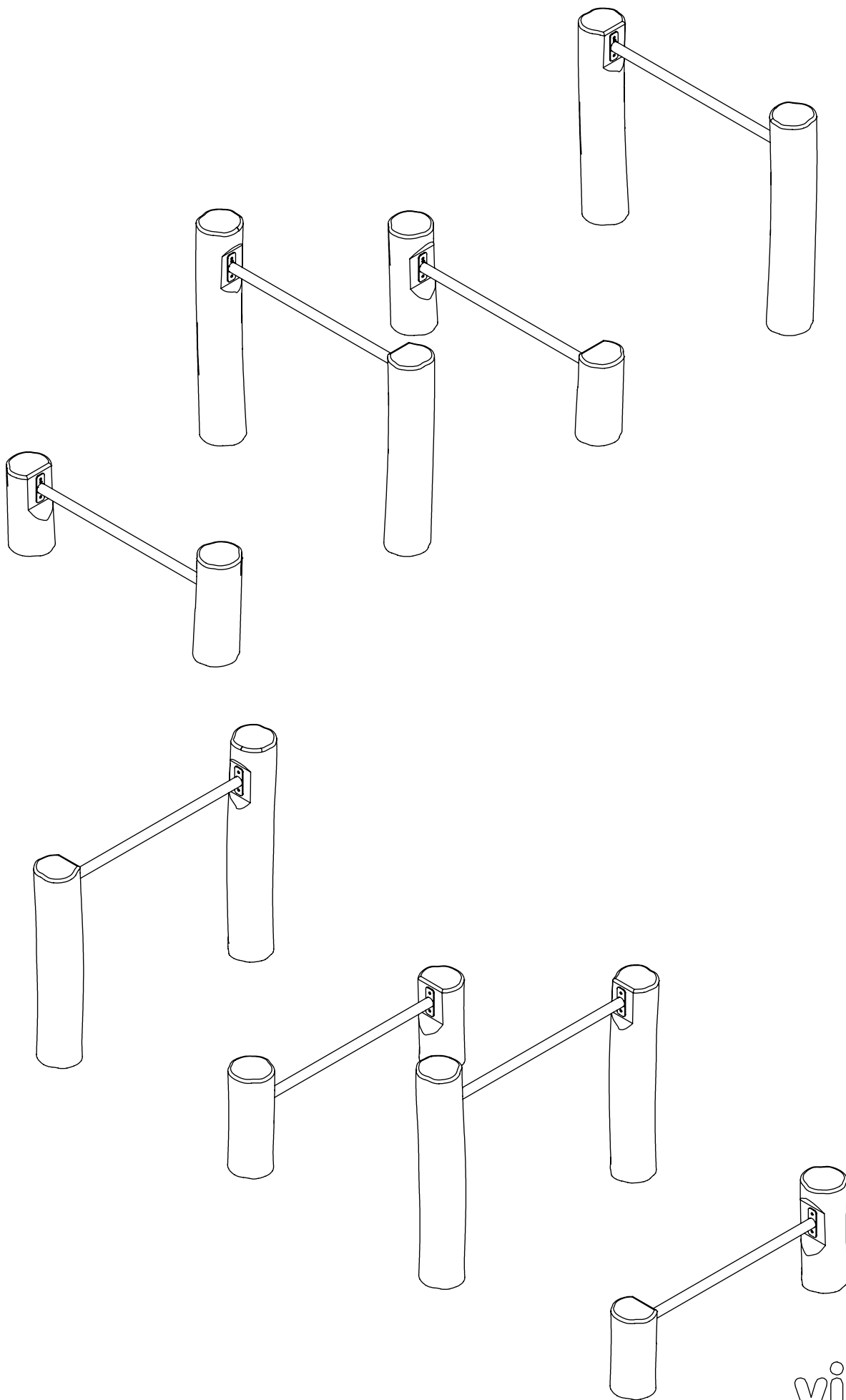


# RB1263



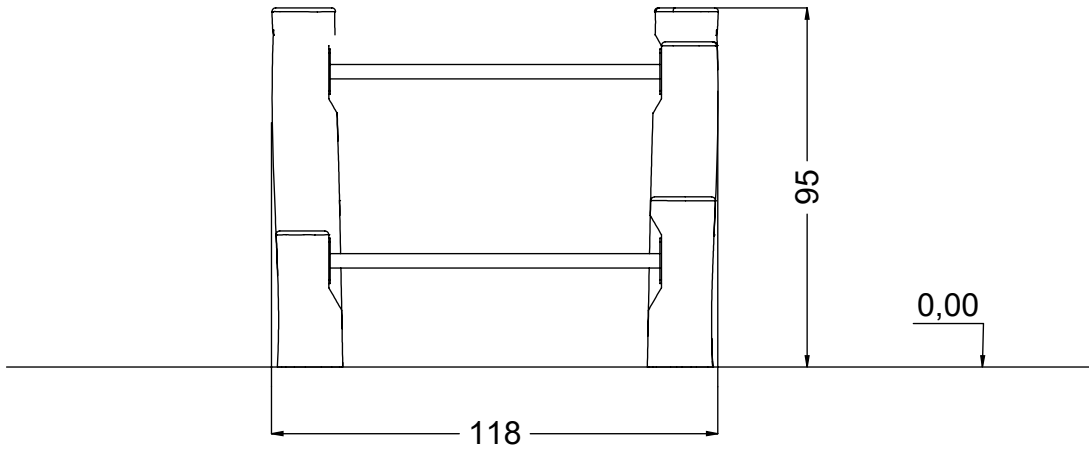
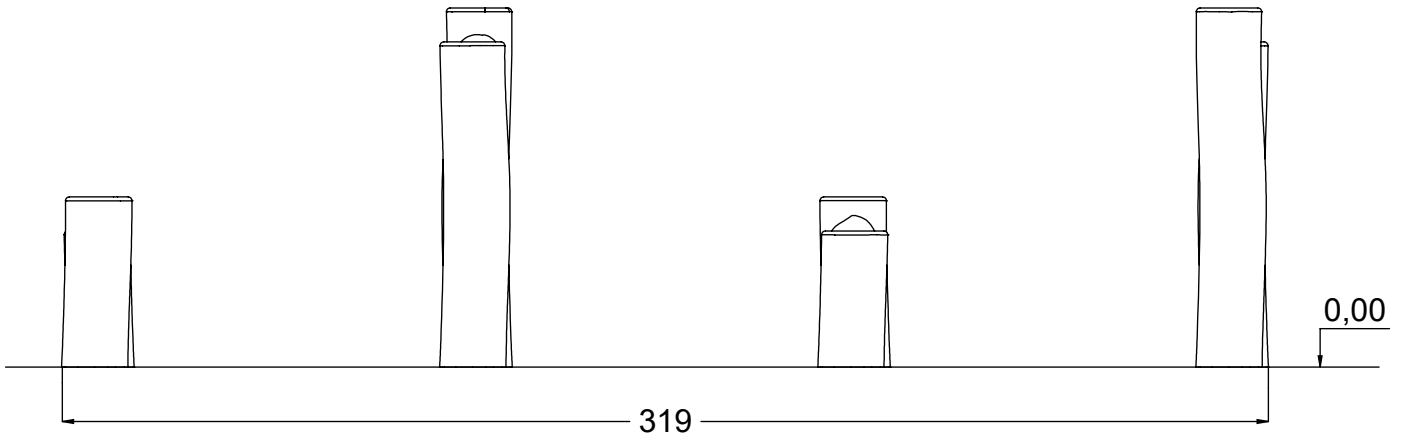
v010  
23.01.2021  
A. P.  
[cm]

vinci  
play



[cm]

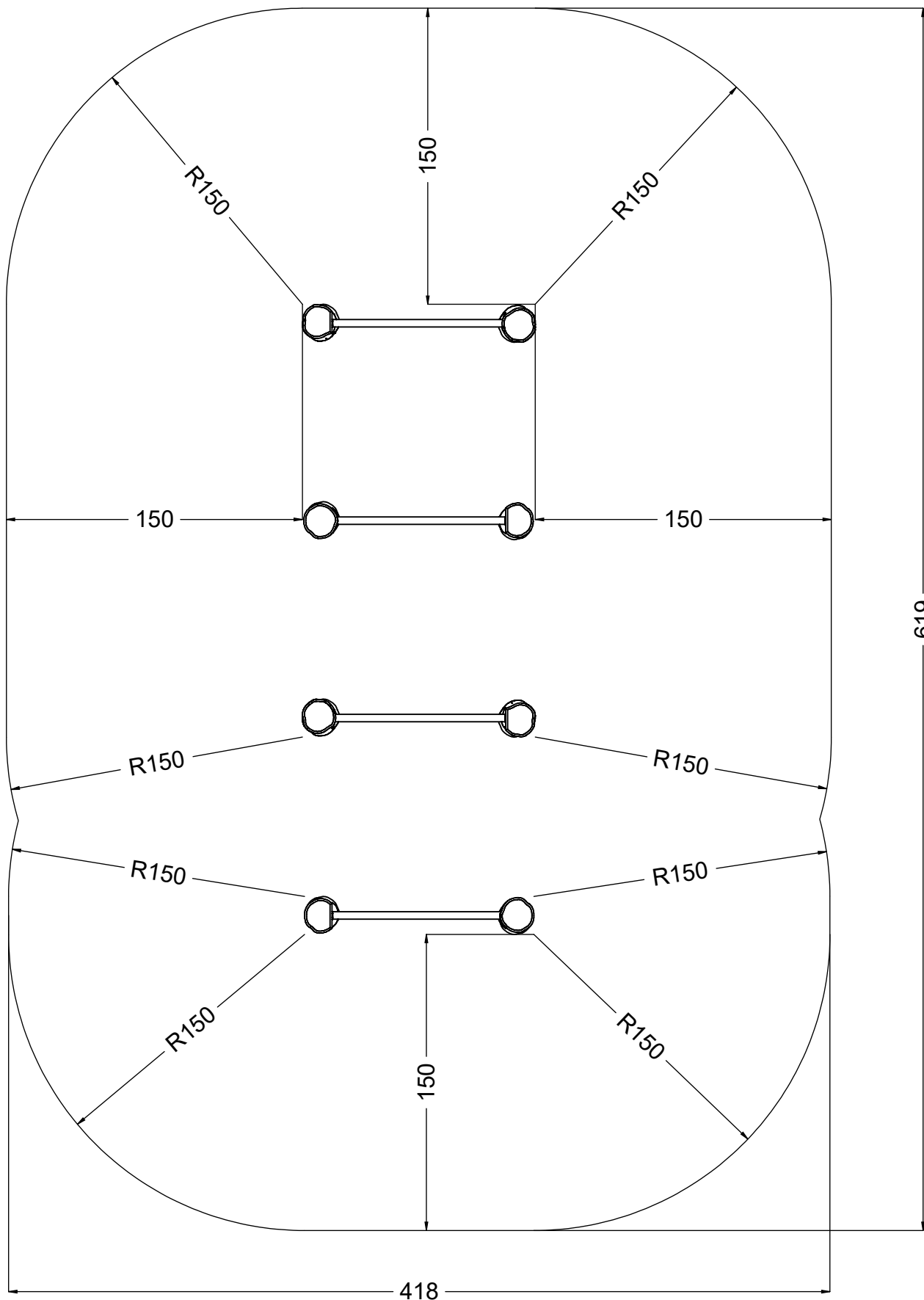
vinci  
play



[cm]



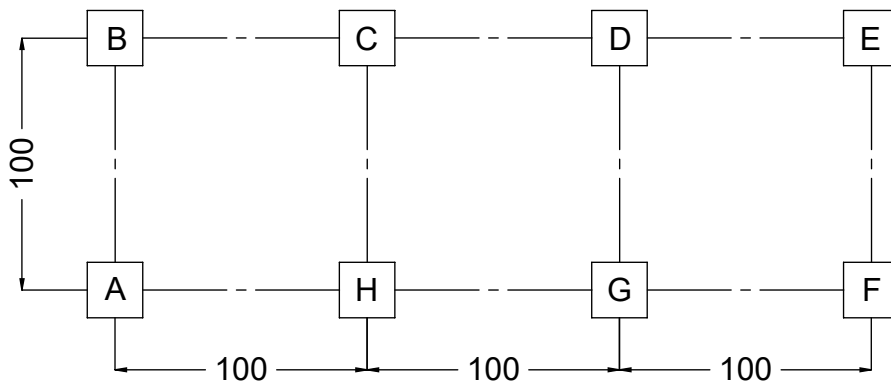
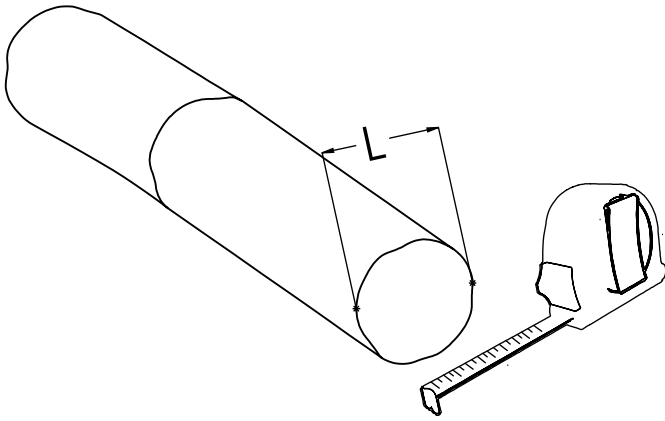
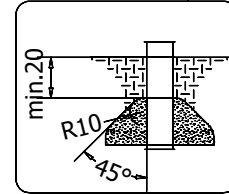
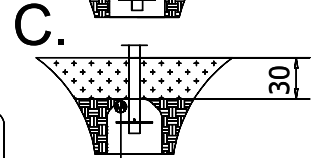
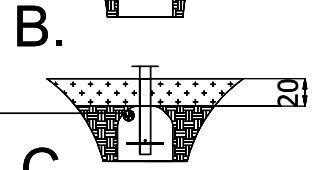
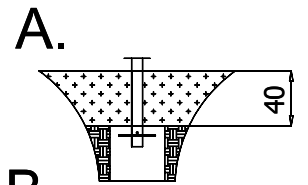
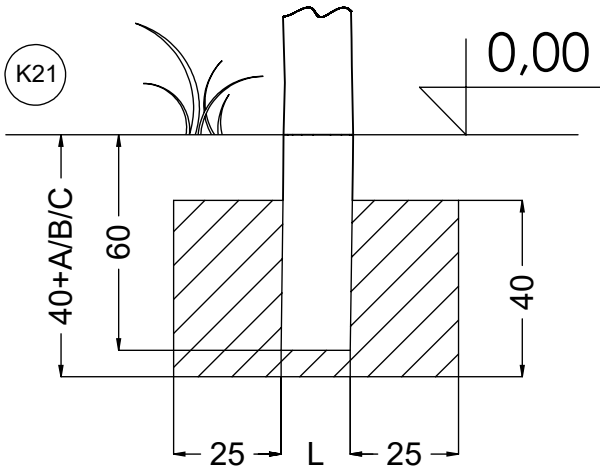
vinci  
play



[cm]



vinci  
play



[cm]

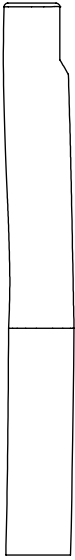


4h



>0,06m³

vinci  
play



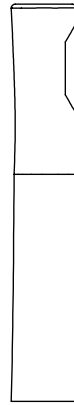
127490 (A,D)  
x2



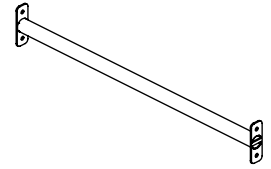
127491 (B,G)  
x2



127492 (C,F)  
x2

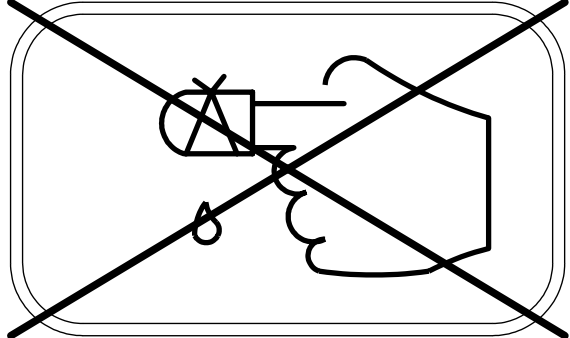
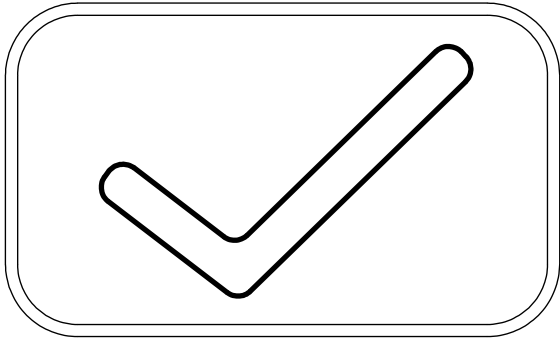
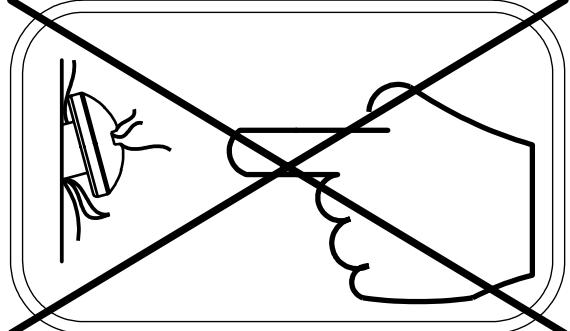
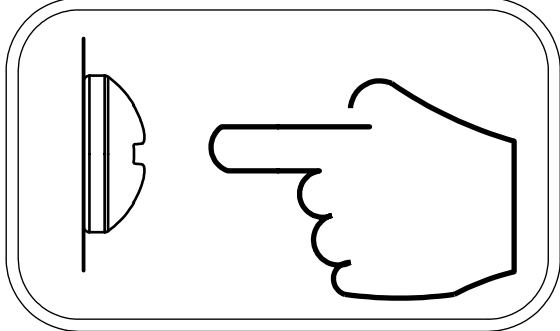
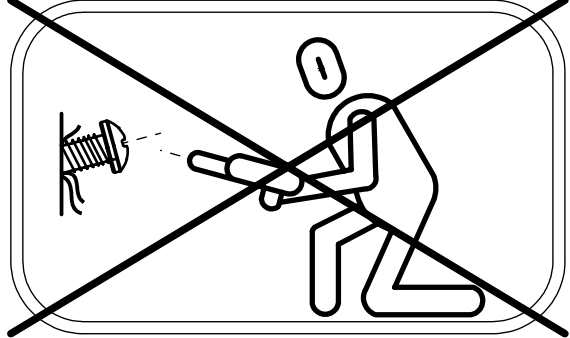
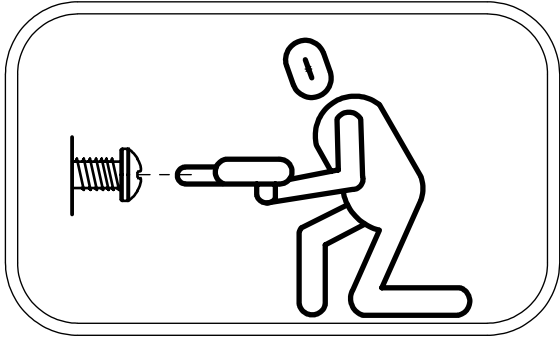


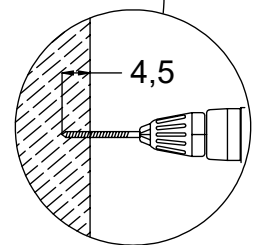
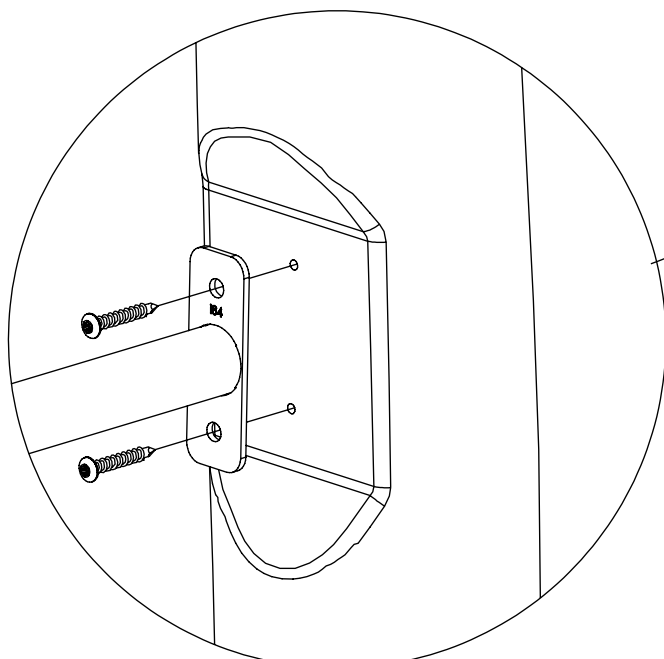
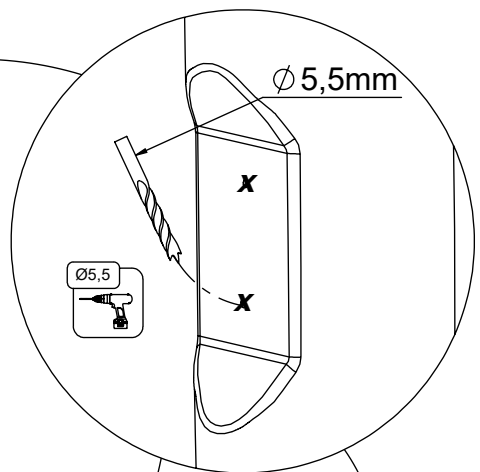
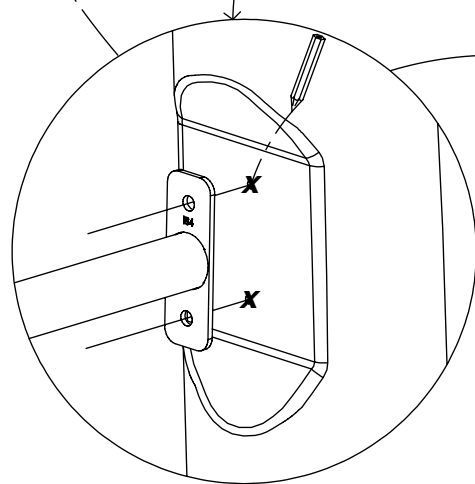
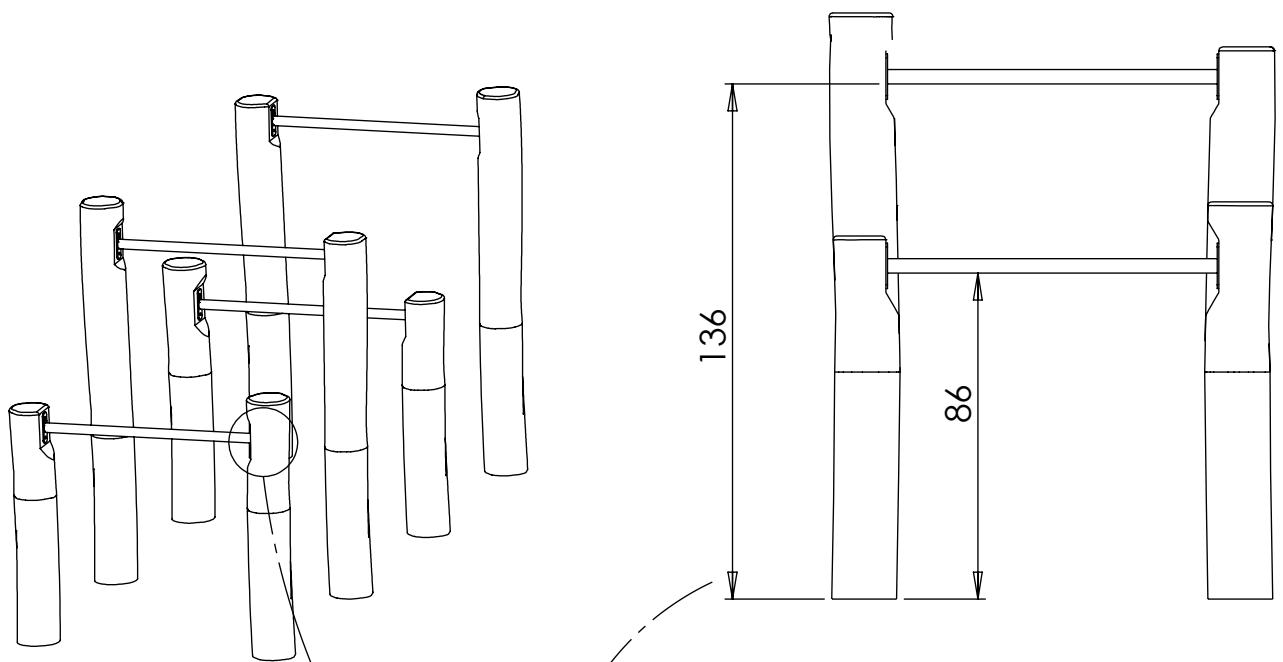
127493 (E,H)  
x2



122101  
x4

16x	8x50sxi
1x	V001





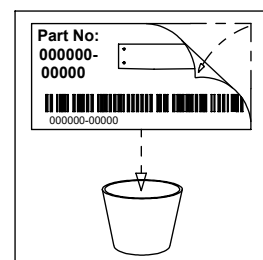
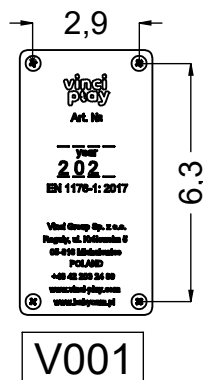
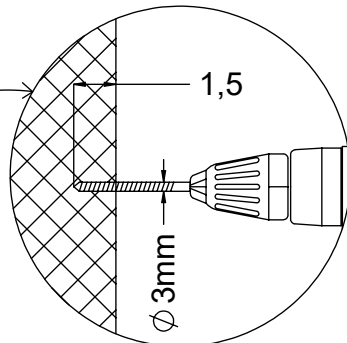
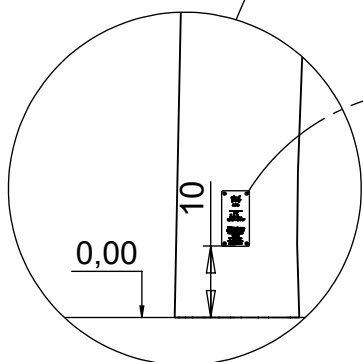
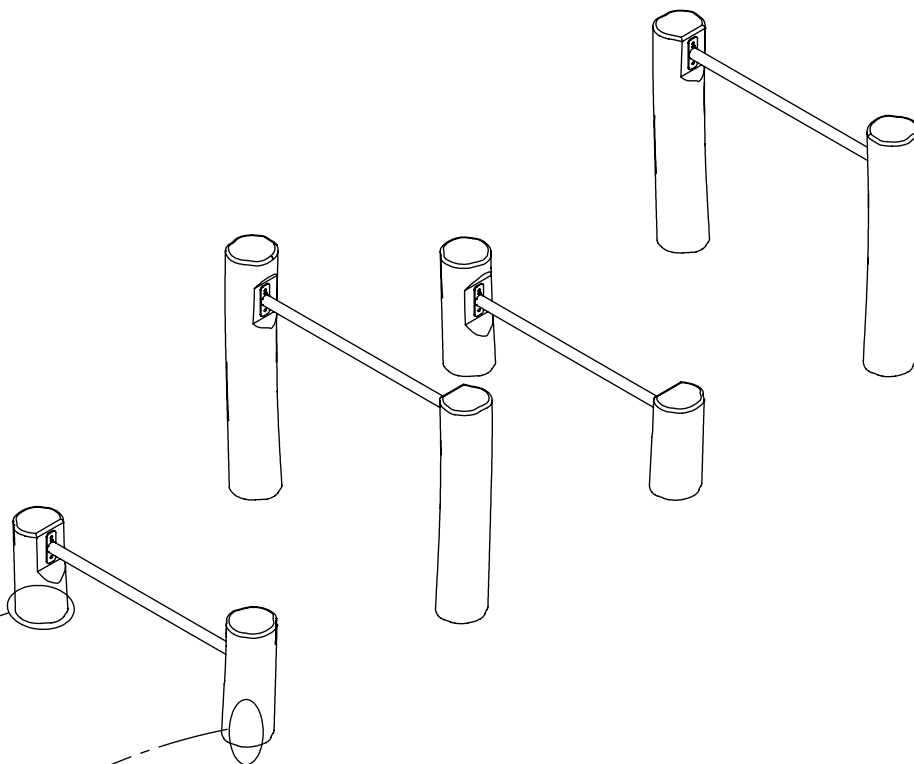
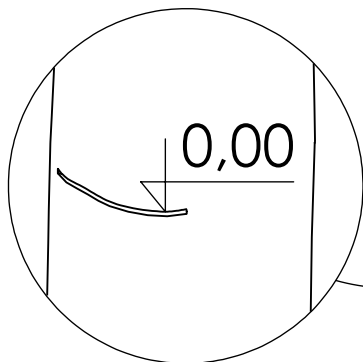
[cm]

16x8x50sxi

vinci  
play



48h



[cm]

vinci  
play