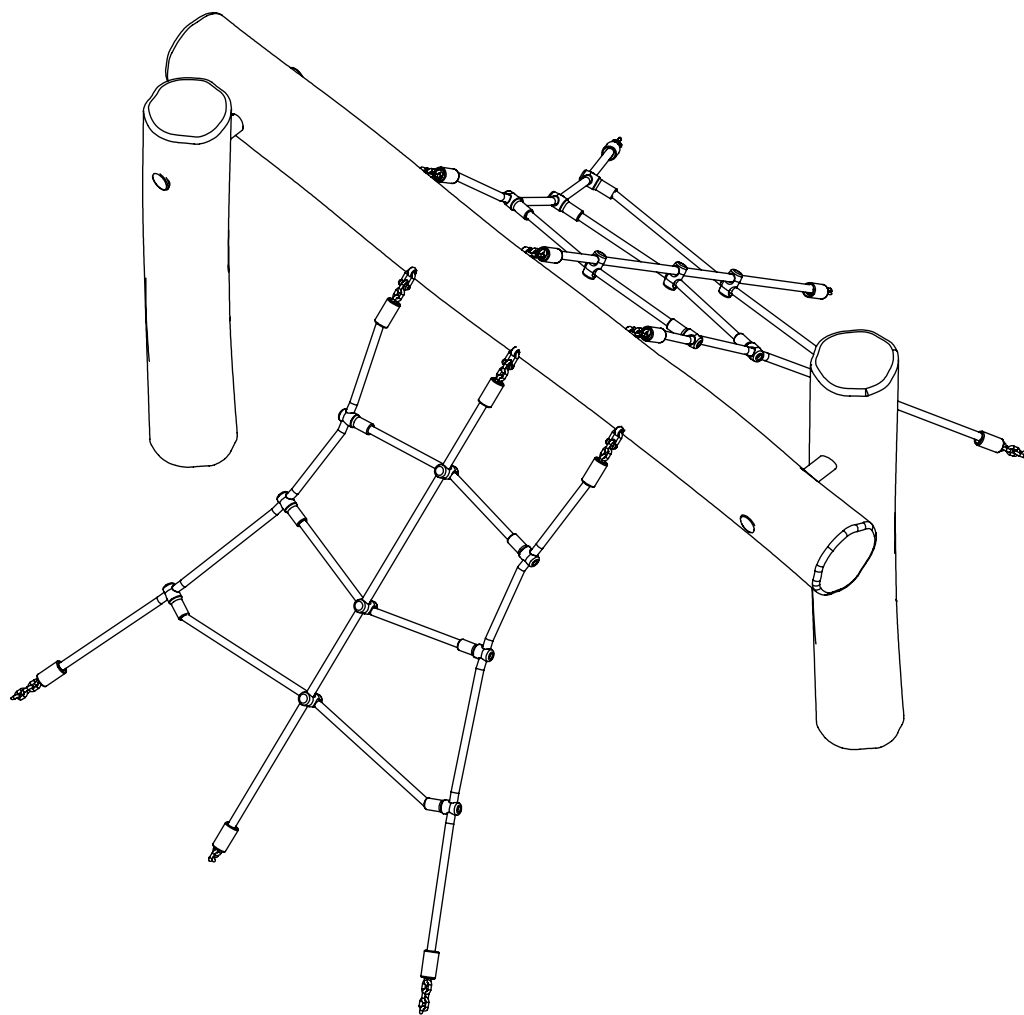
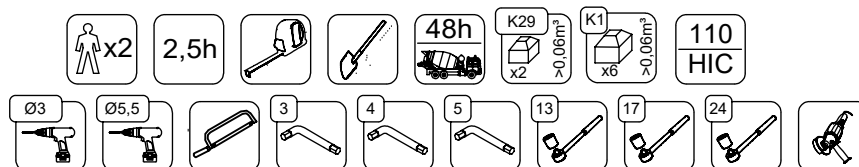


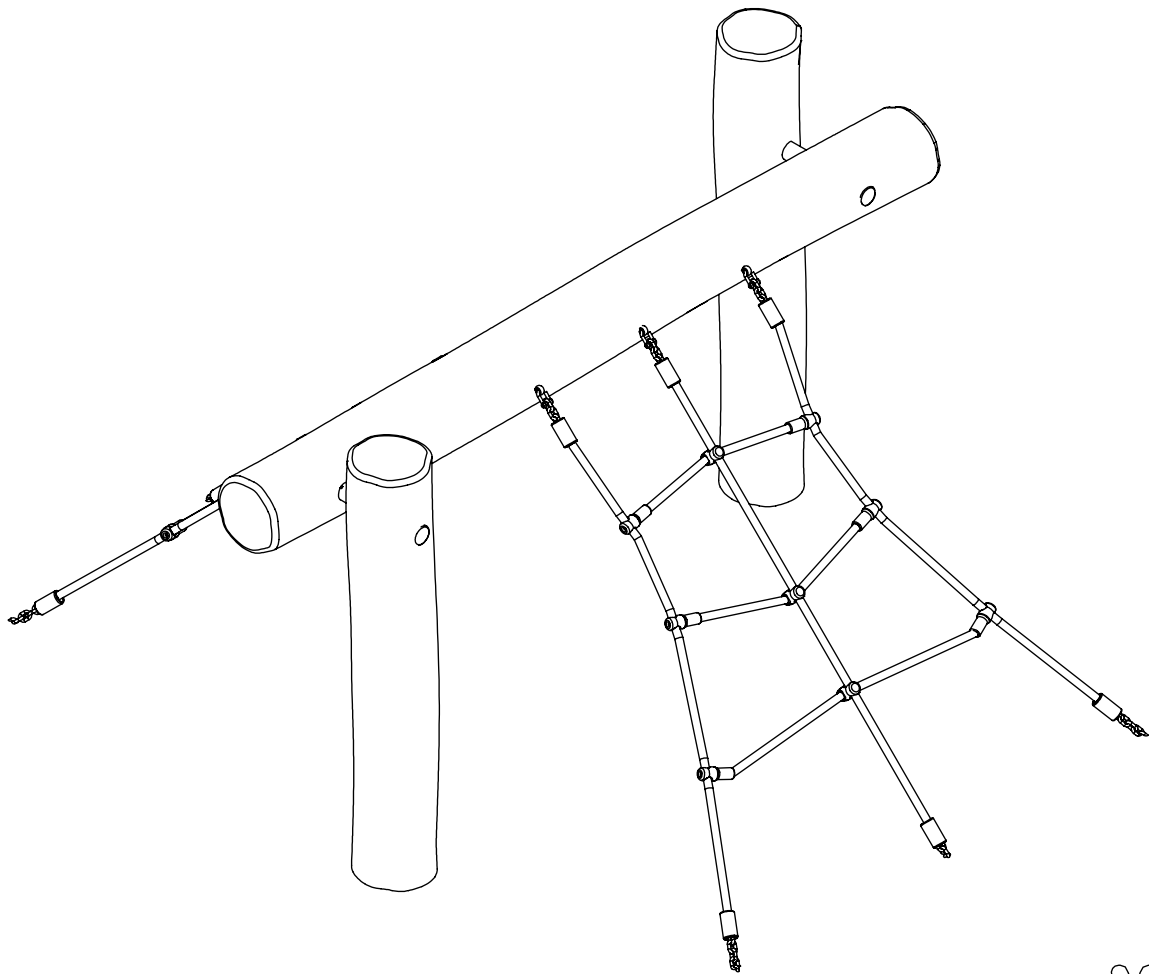
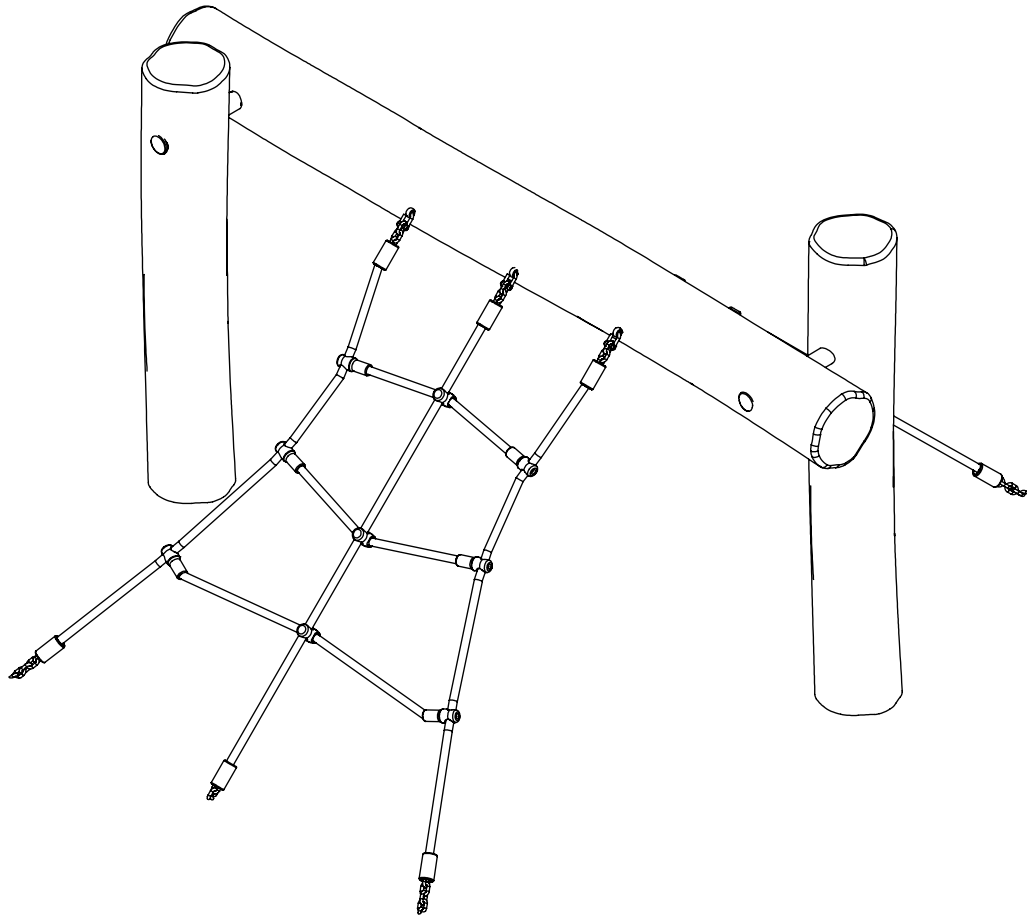
RB1276



v010
19.02.2021
A. P.
[cm]

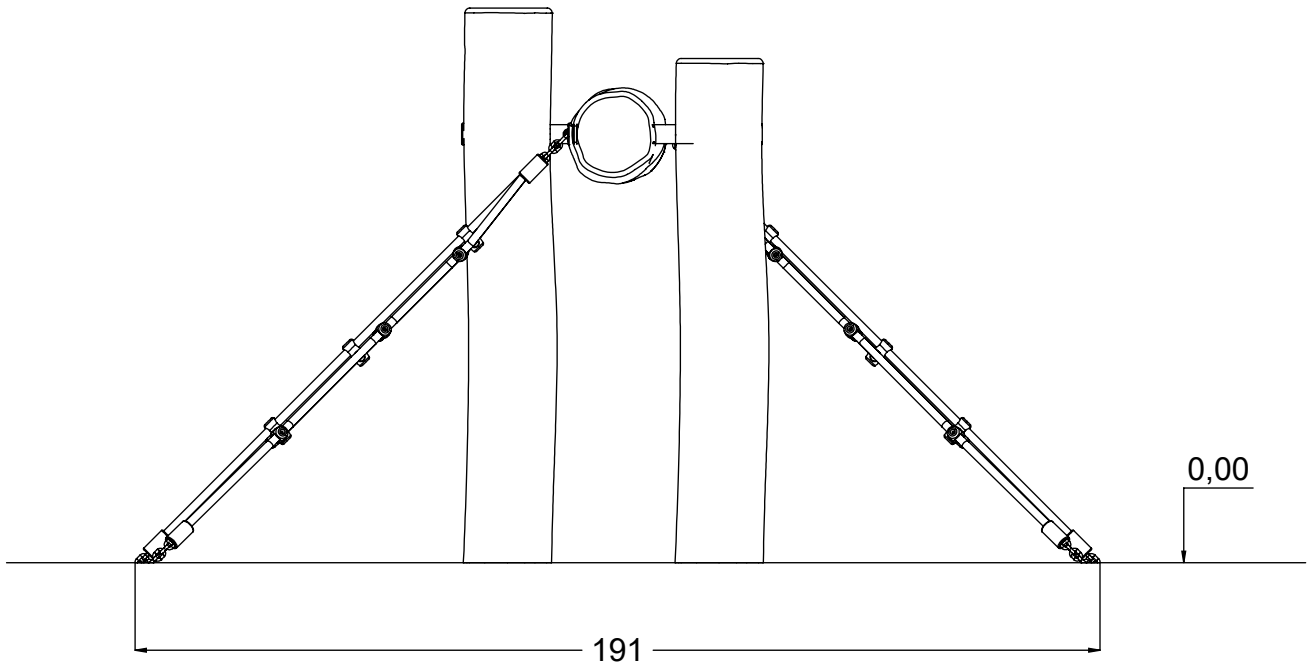
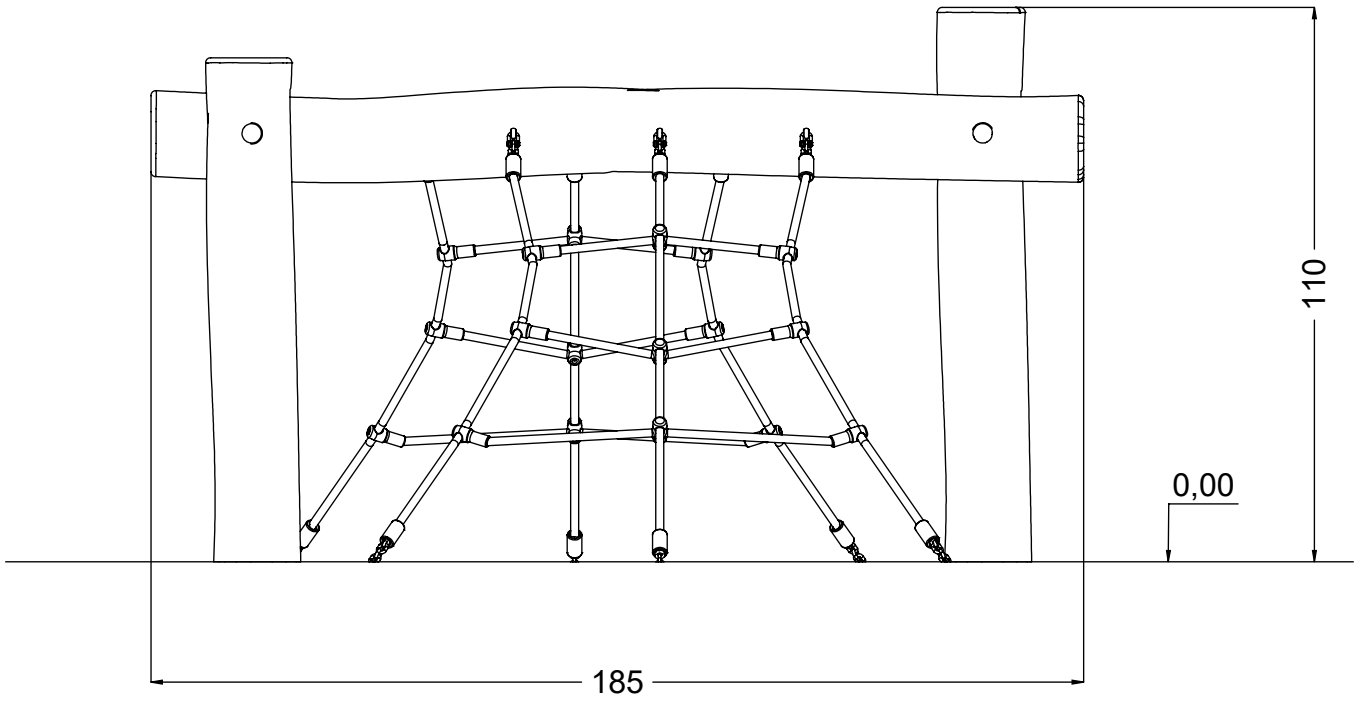


vinci
play



[cm]

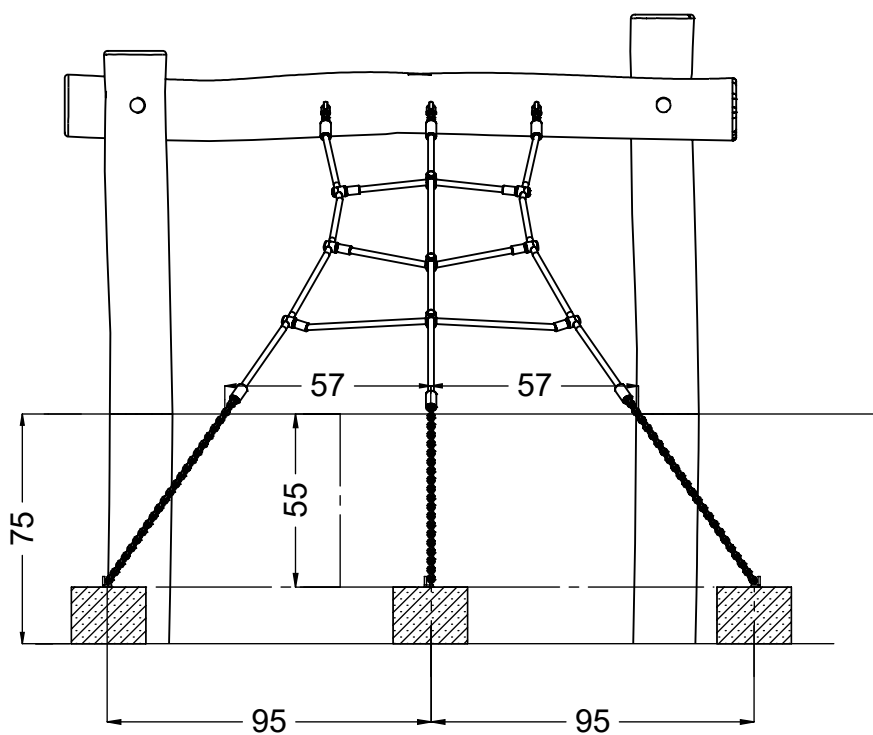
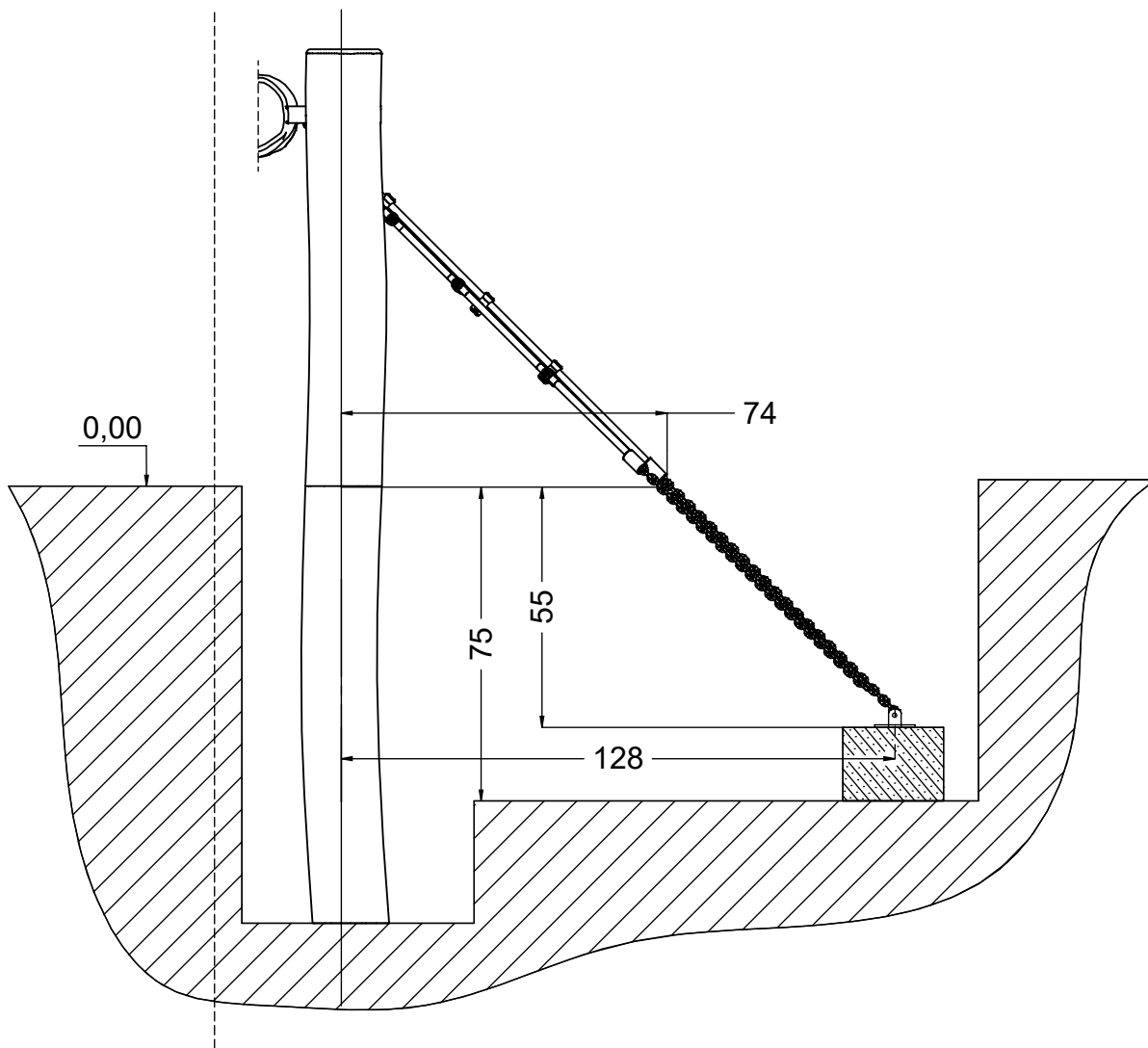
vinci
play



[cm]

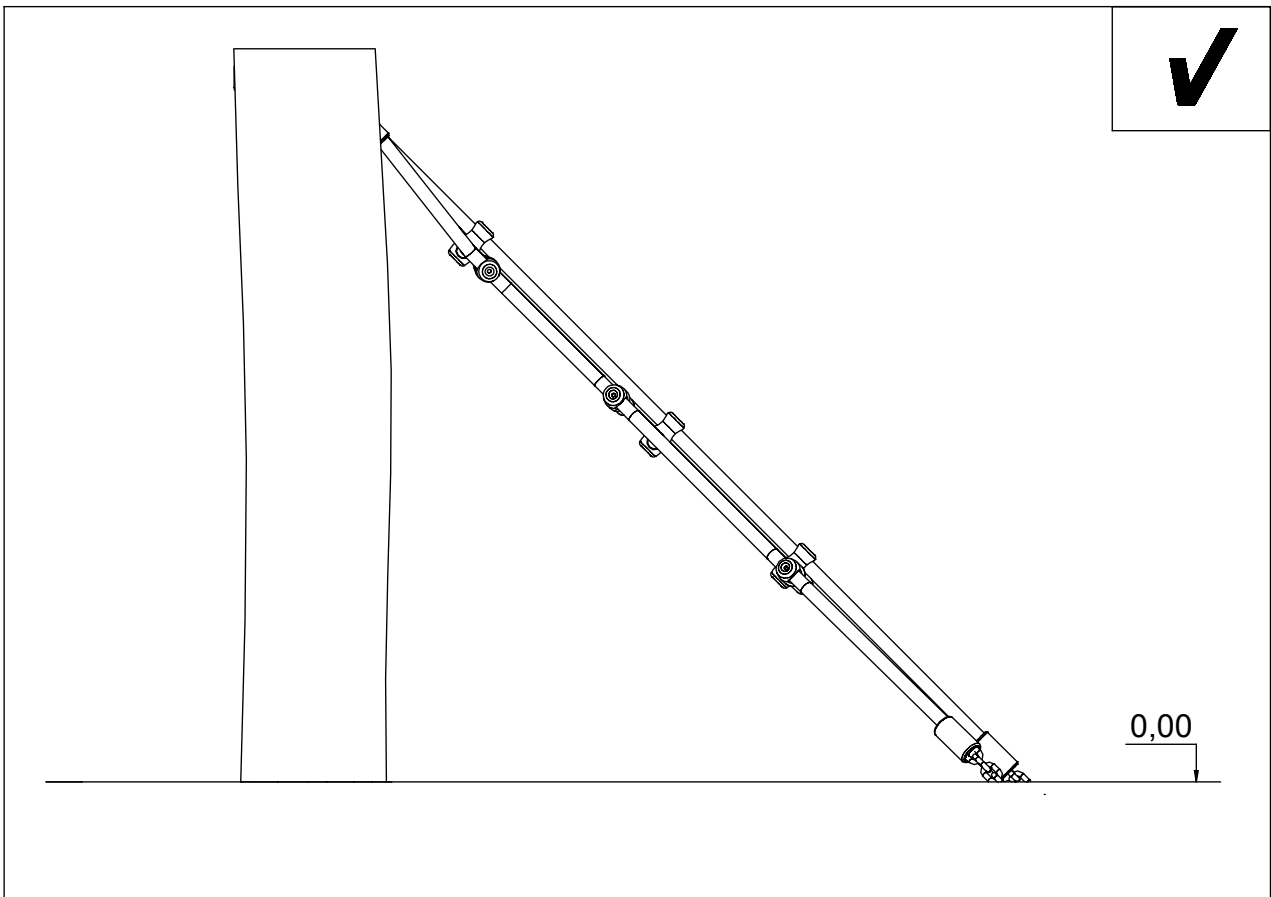
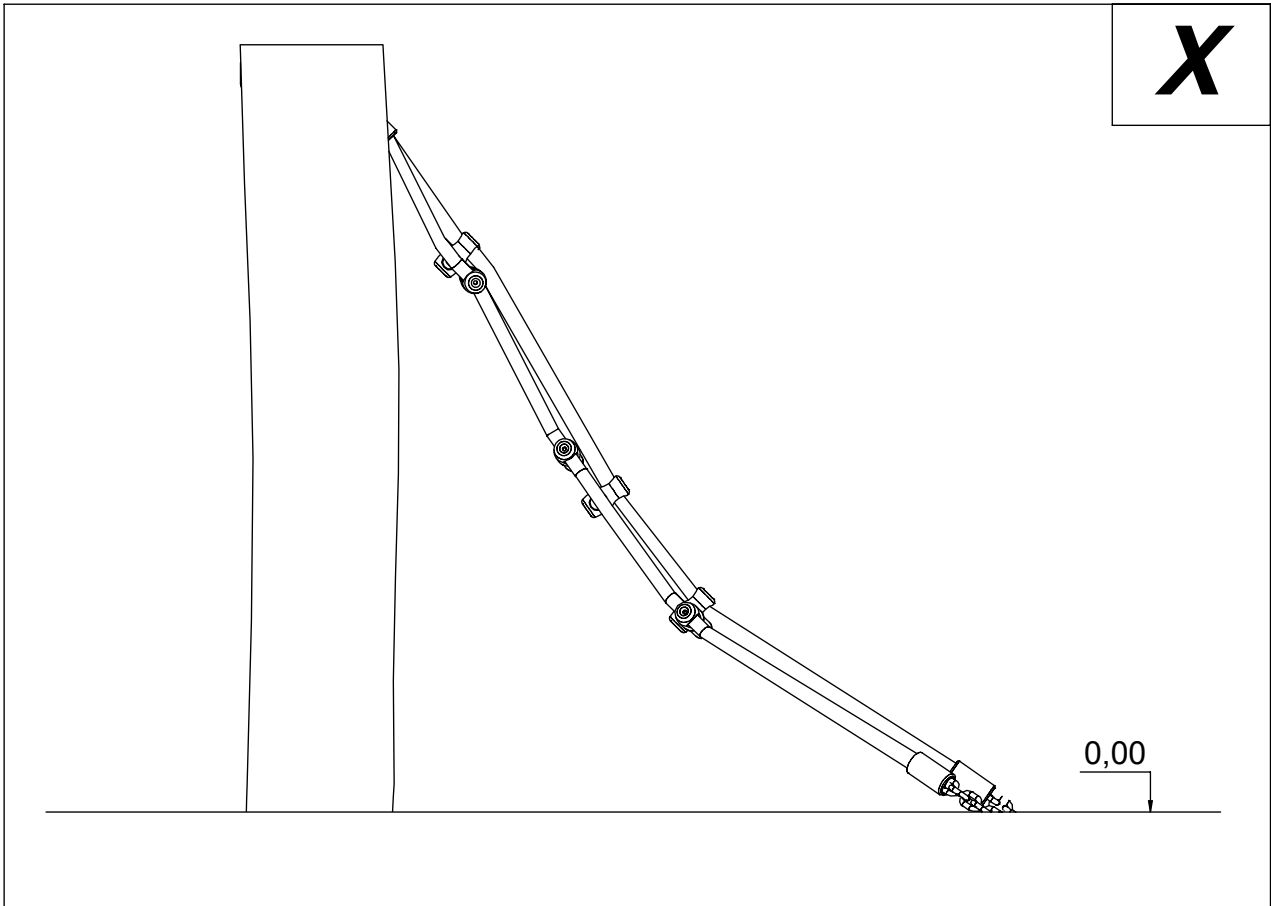


vinci
play



[cm]

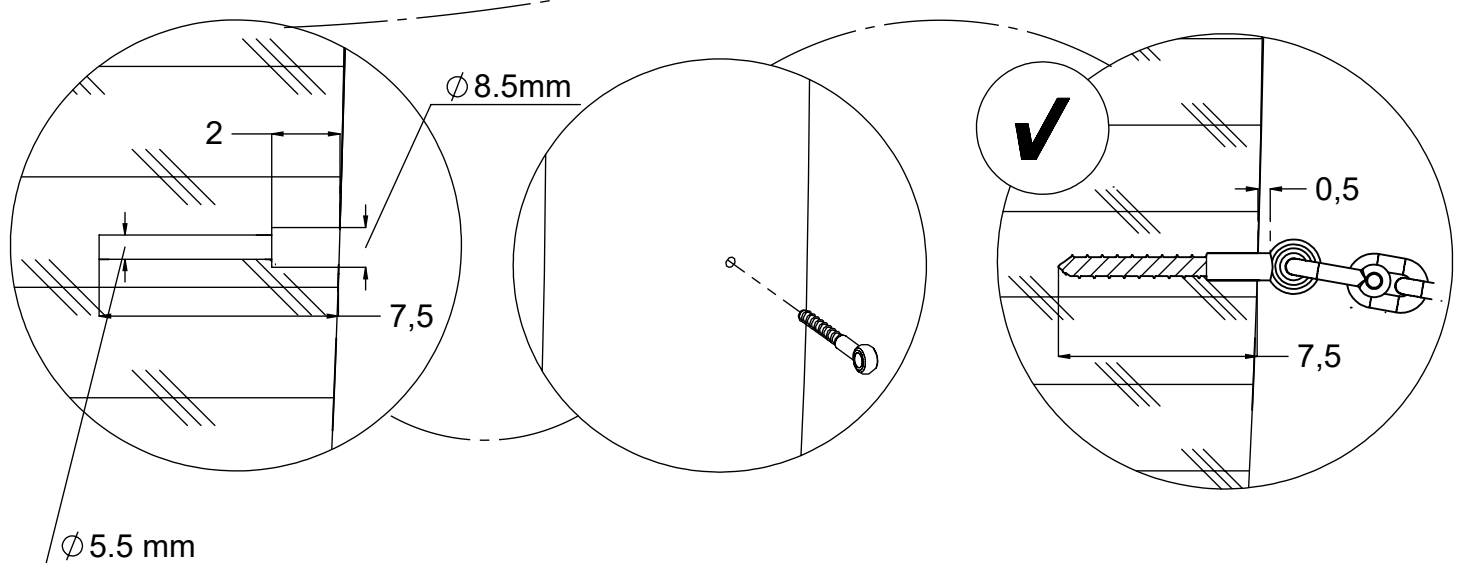
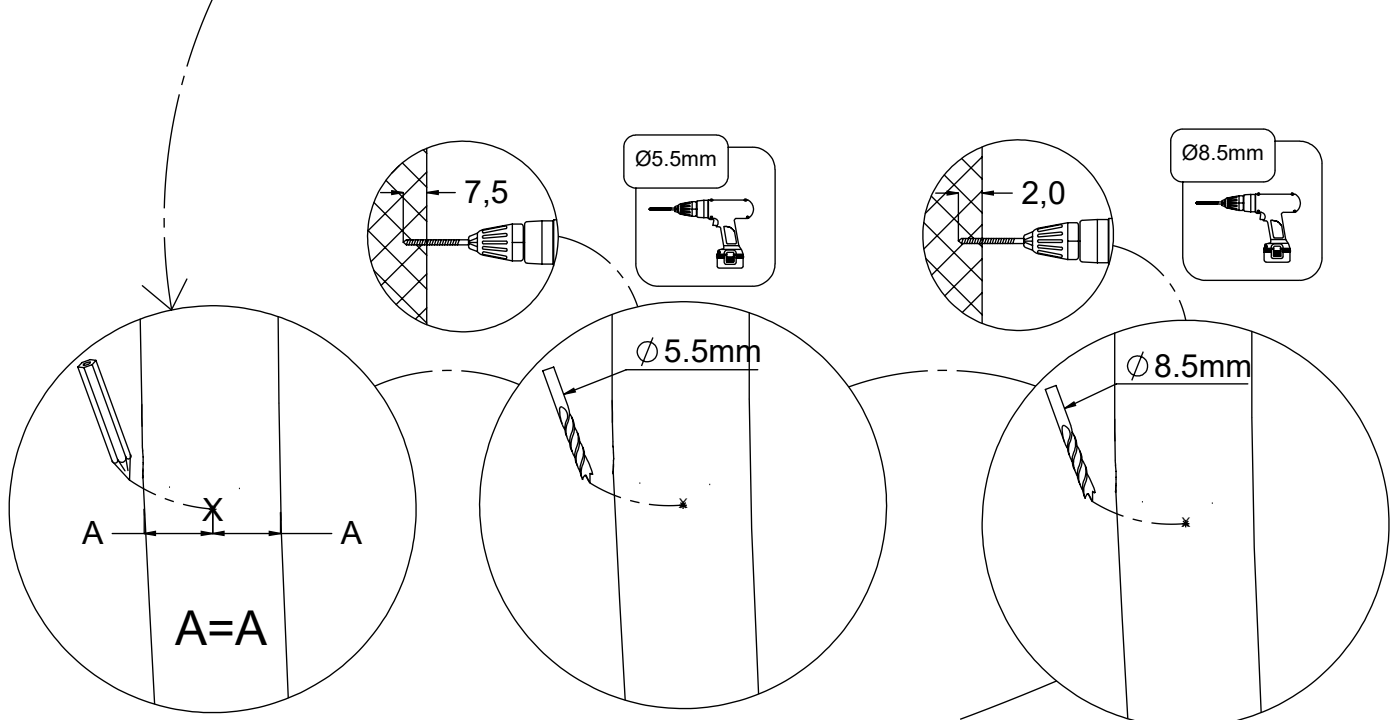
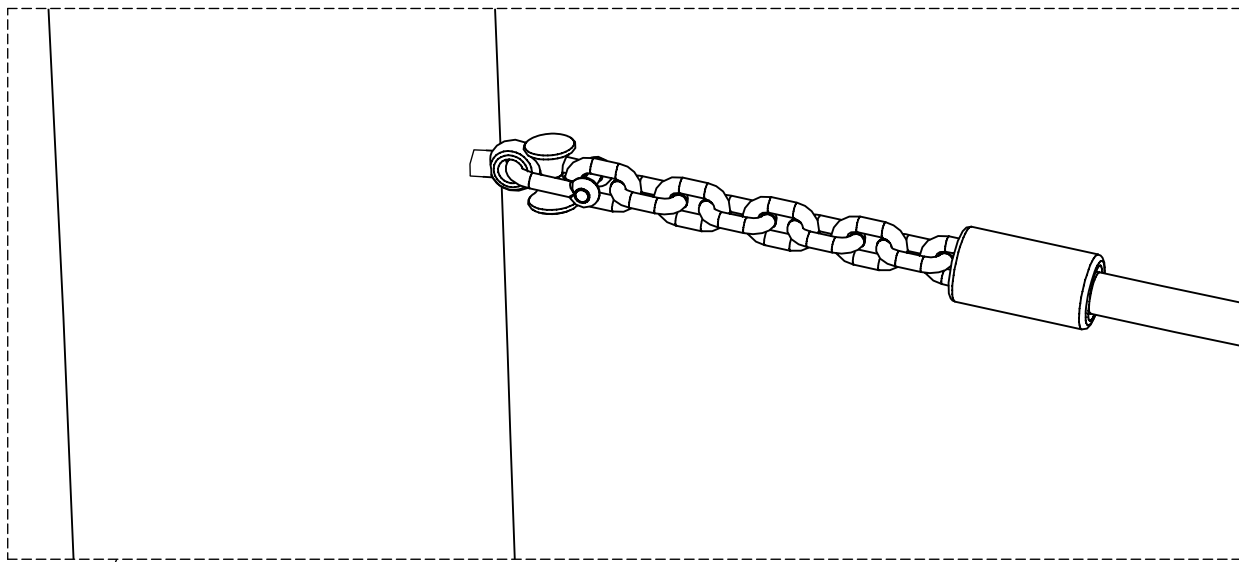
vinci
play



[cm]

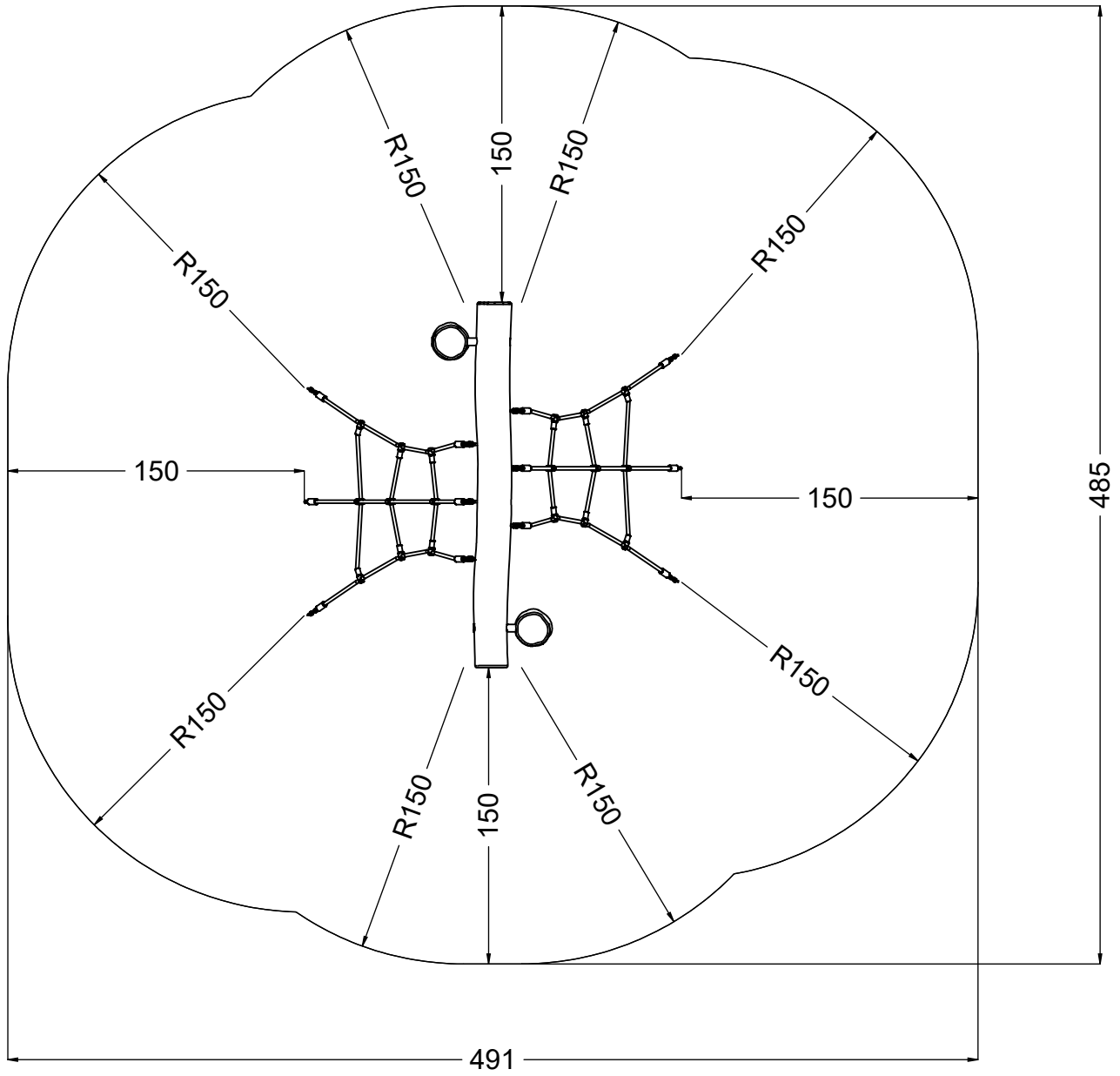


vinci
play



[cm]

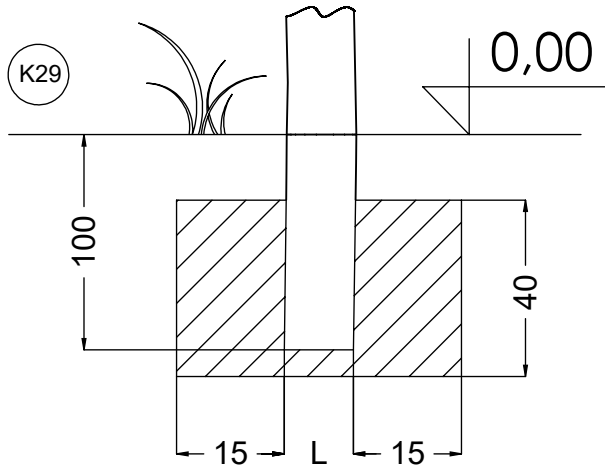
vinci
play



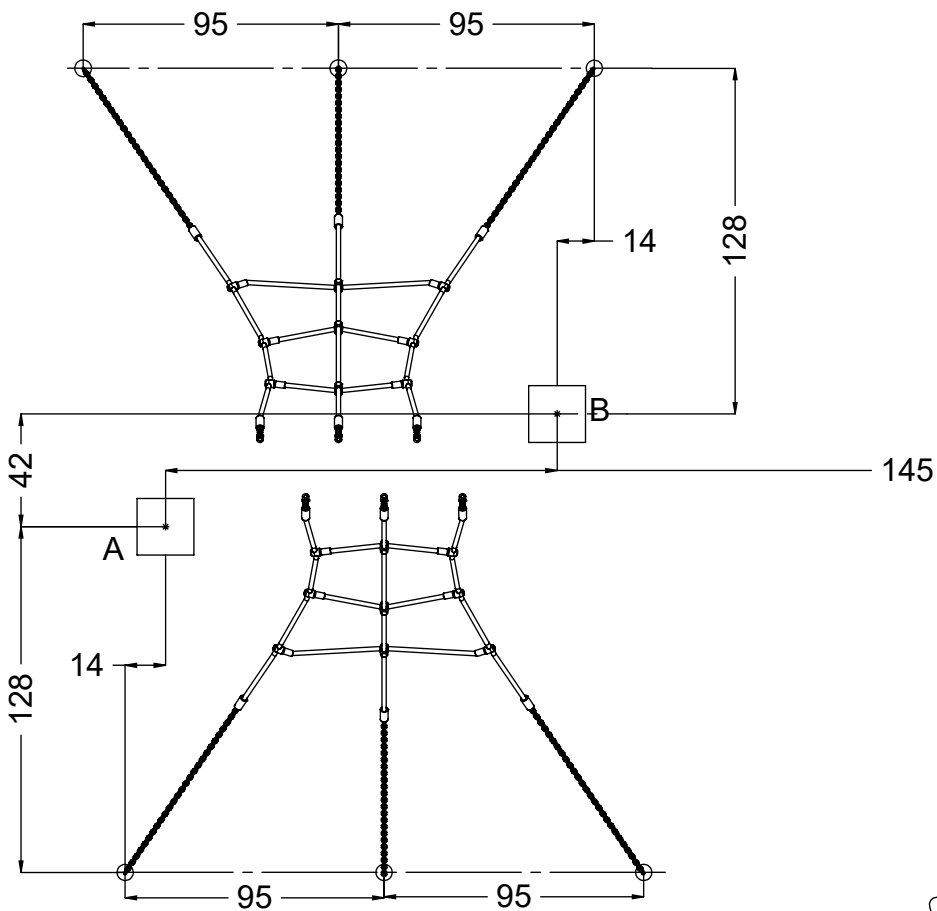
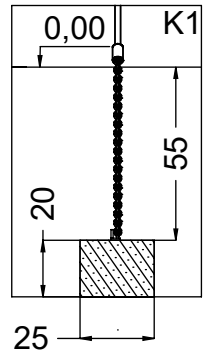
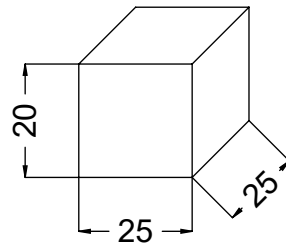
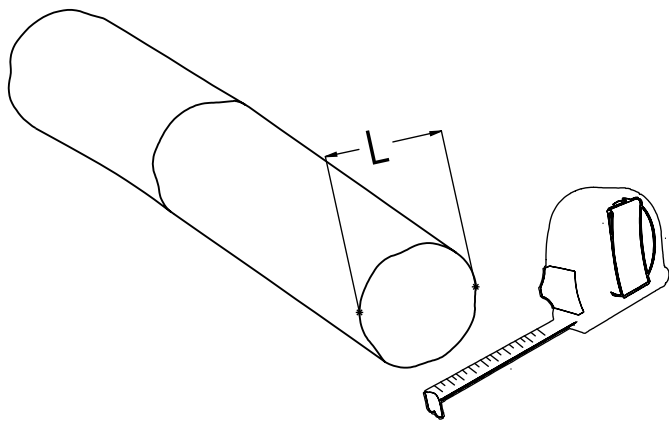
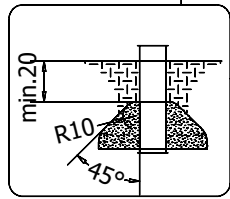
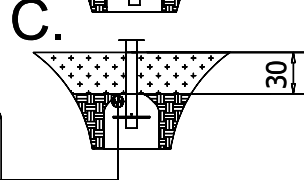
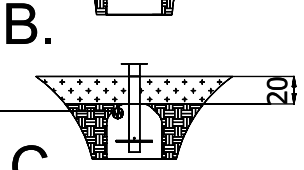
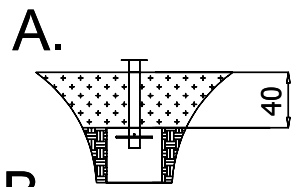
[cm]



vinci
play



48h



[cm]

x2
 2,5h

 48h
 K1 x6 >0.06m³
 K29 x2 >0.06m³

vinci play



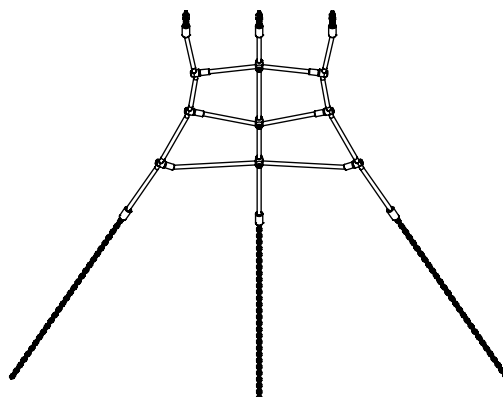
127306
x1



127304
x1

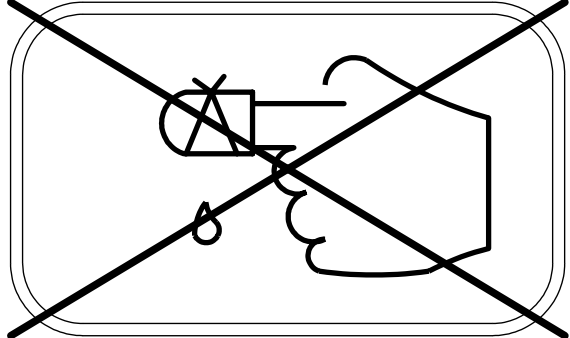
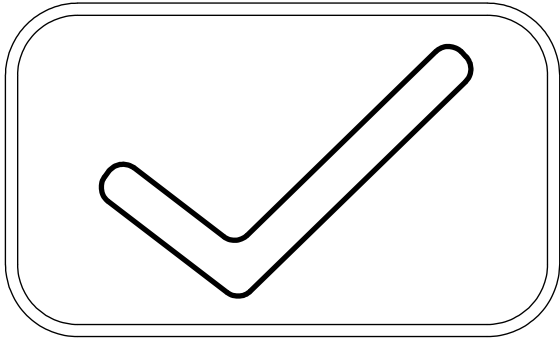
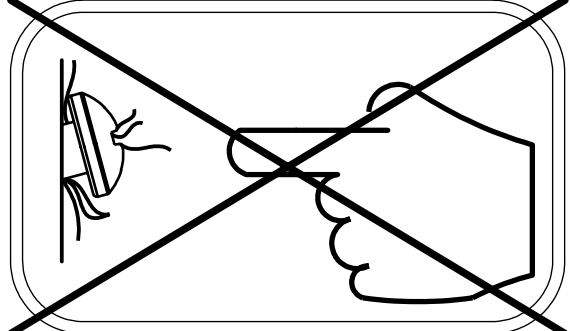
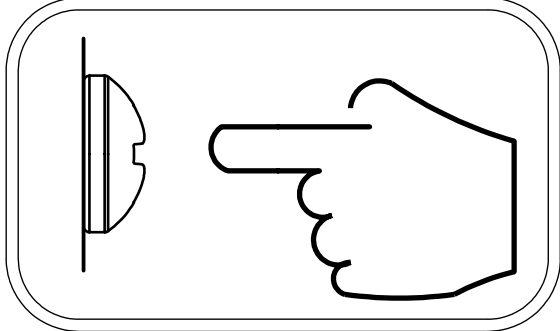
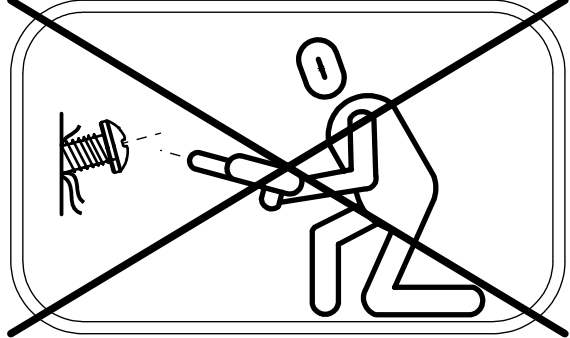
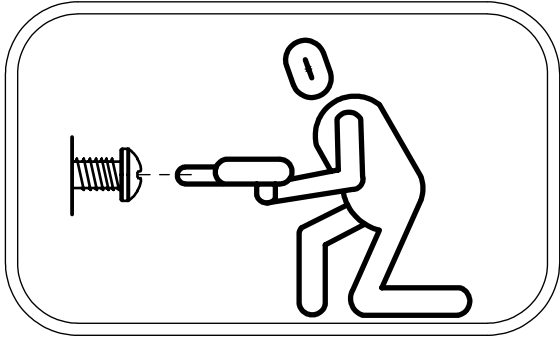


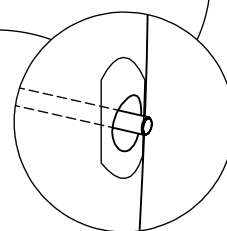
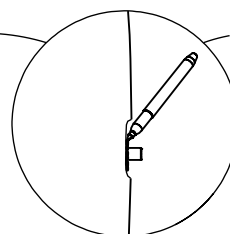
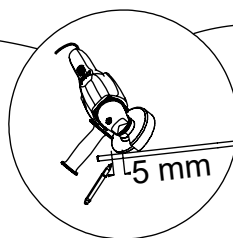
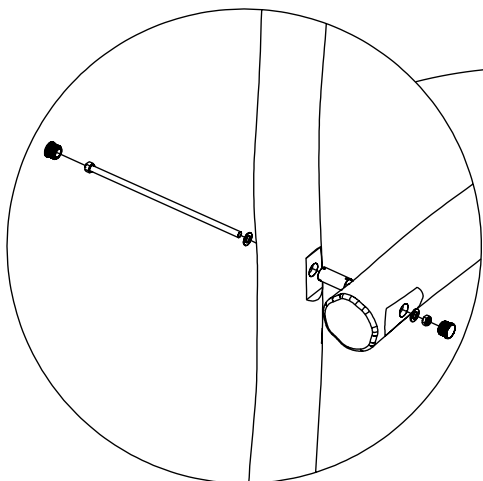
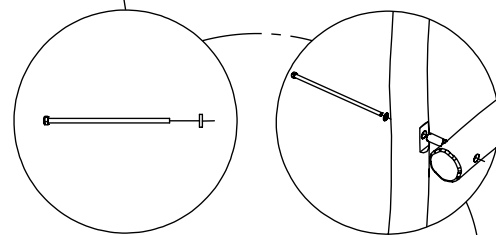
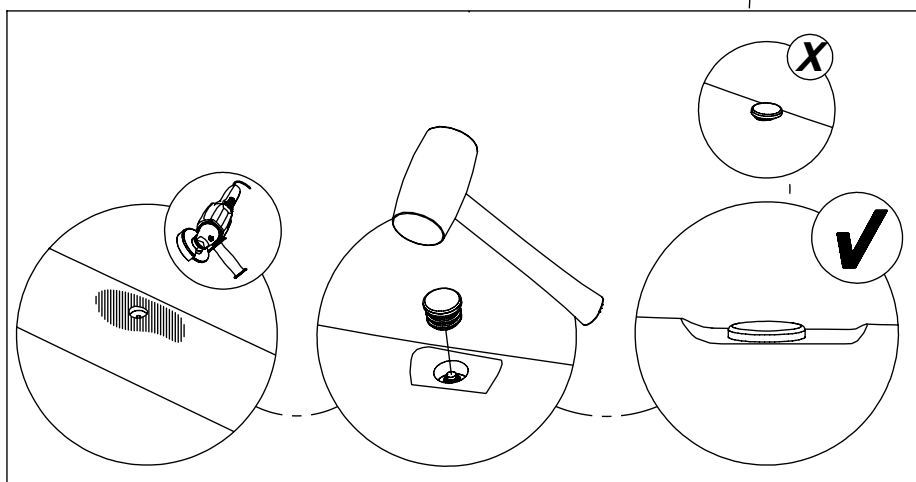
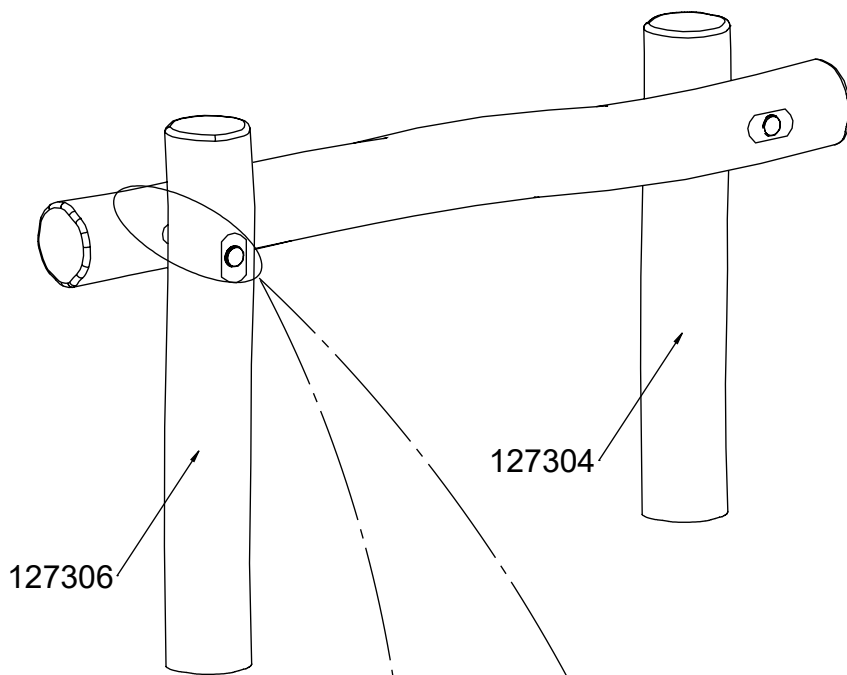
127305
x1



125100
x2

2x	12e015
1x	12e022
6x	12e052
1x	GL
1x	V001

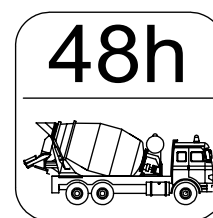
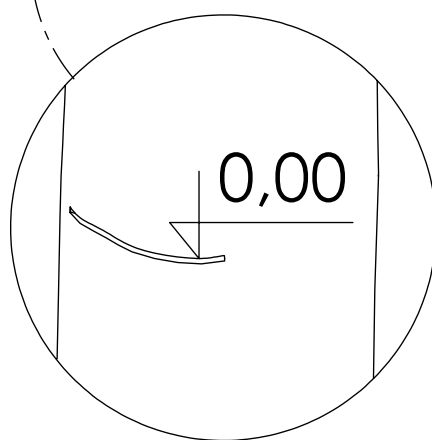
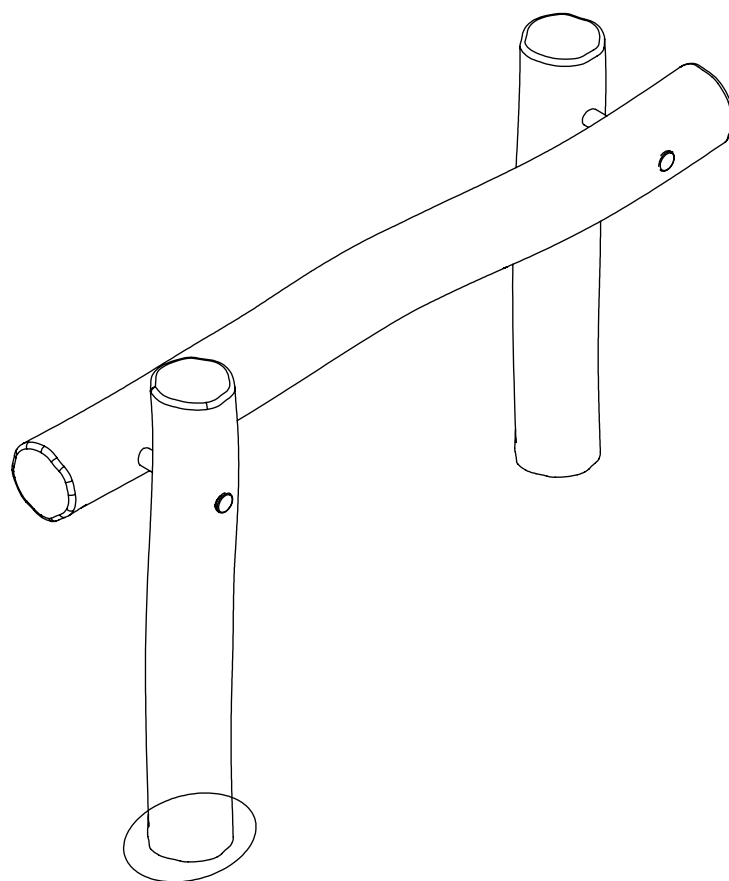




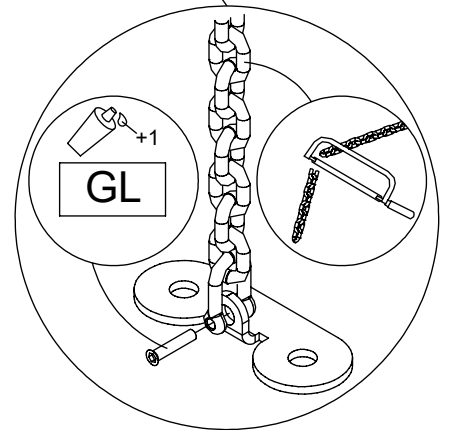
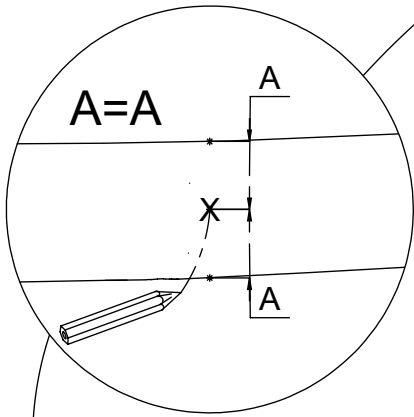
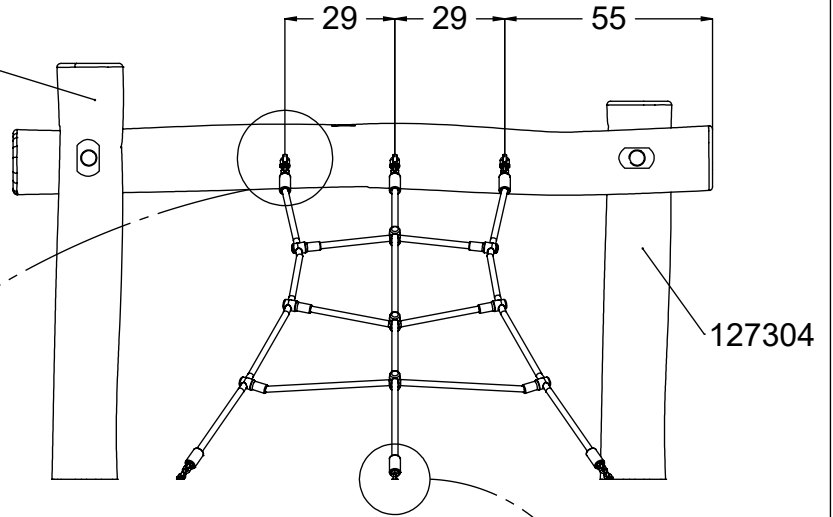
3x 12e022

[cm]

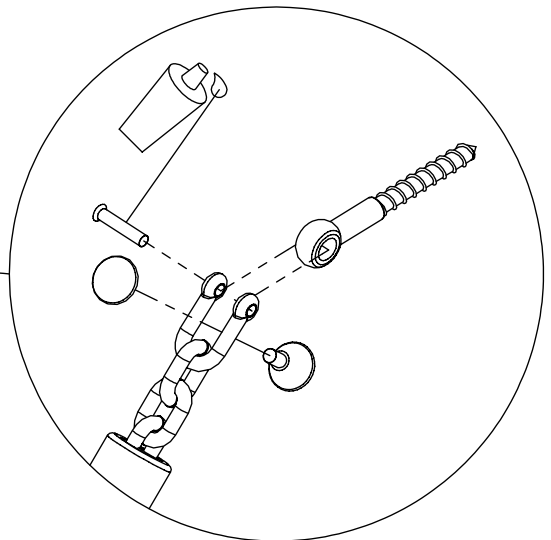
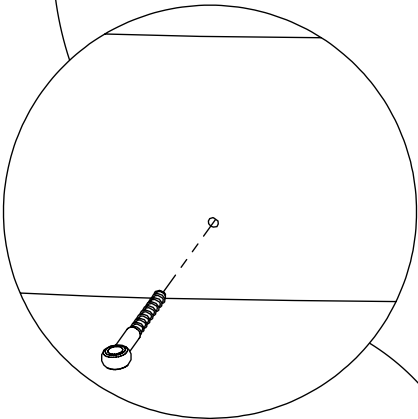
vinci
play



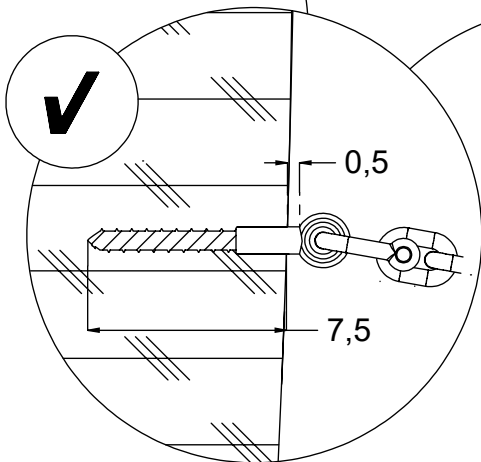
127306



3x 12e052

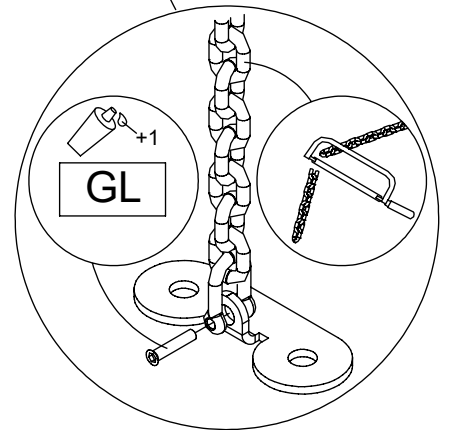
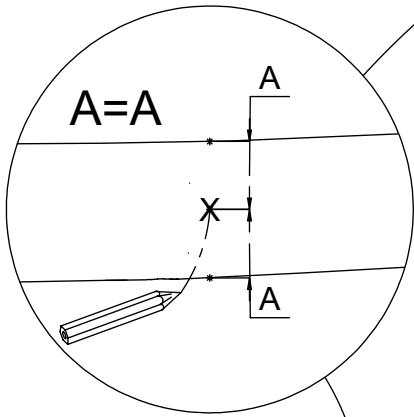
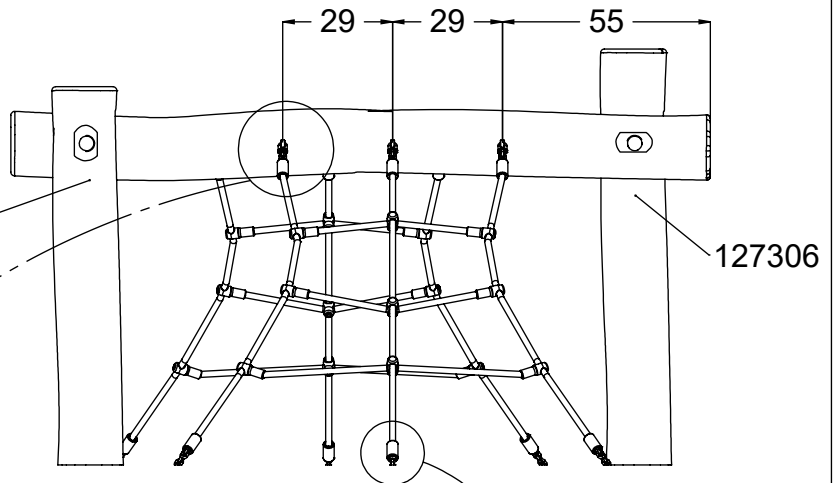


1x 12e015

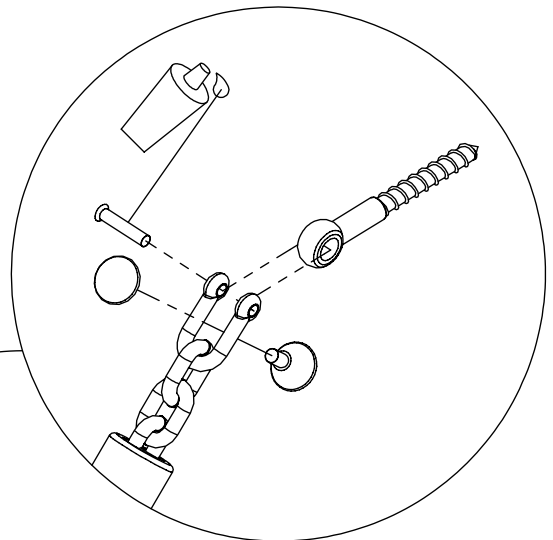
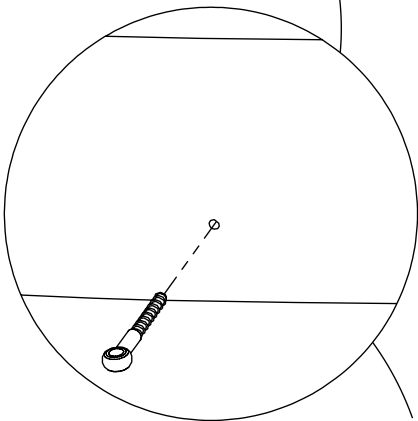


[cm]

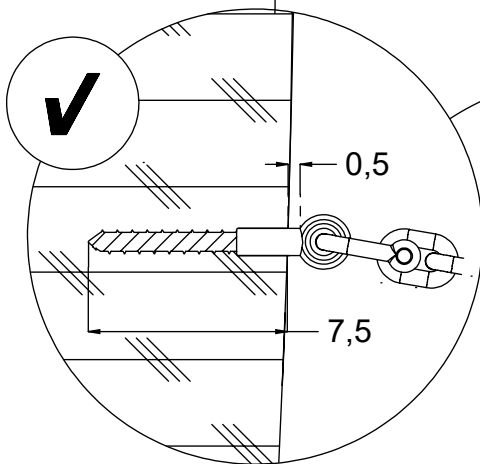
vinci
play

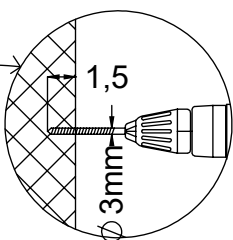
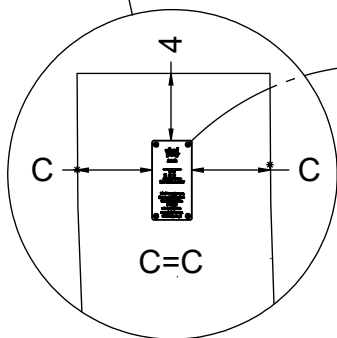
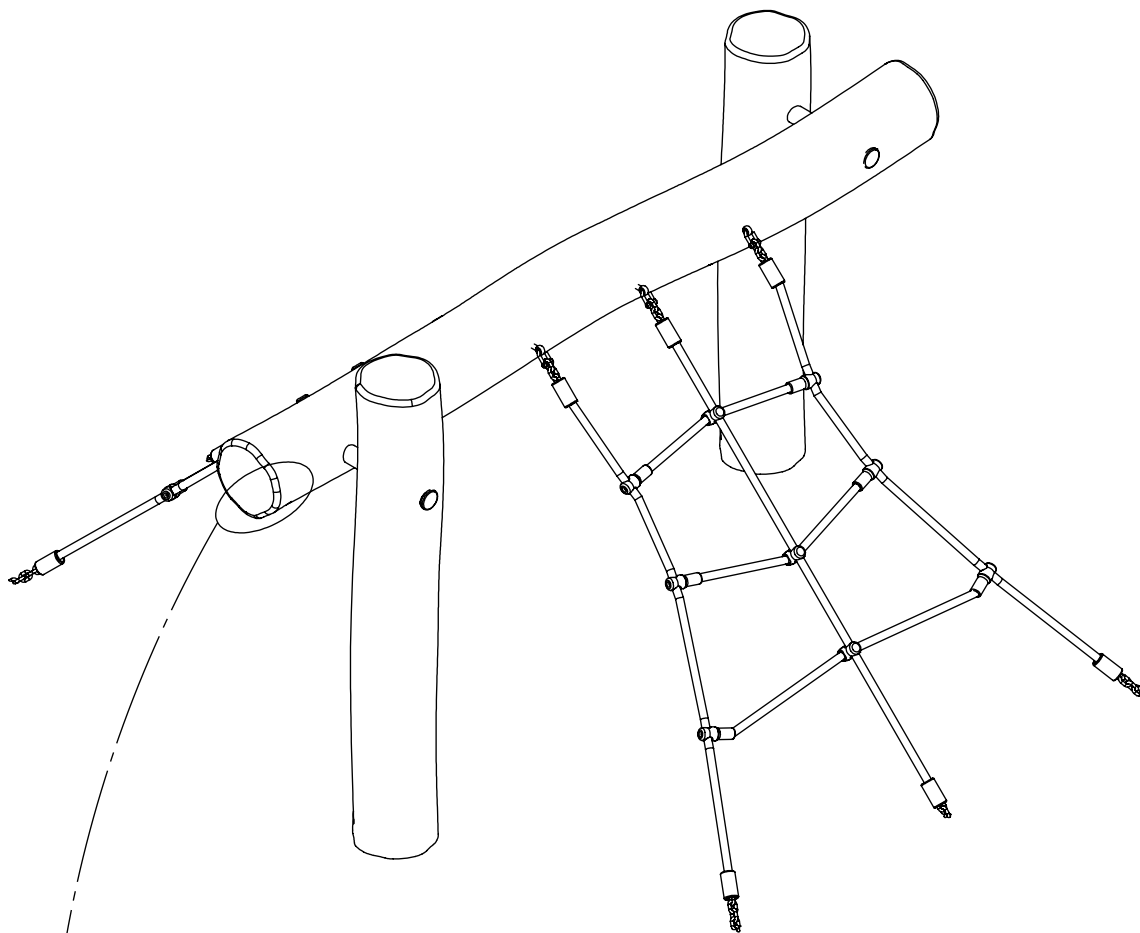


3x 12e052

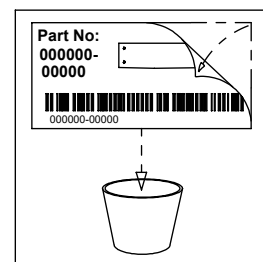


1x 12e015





V001



[cm]

vinci
play