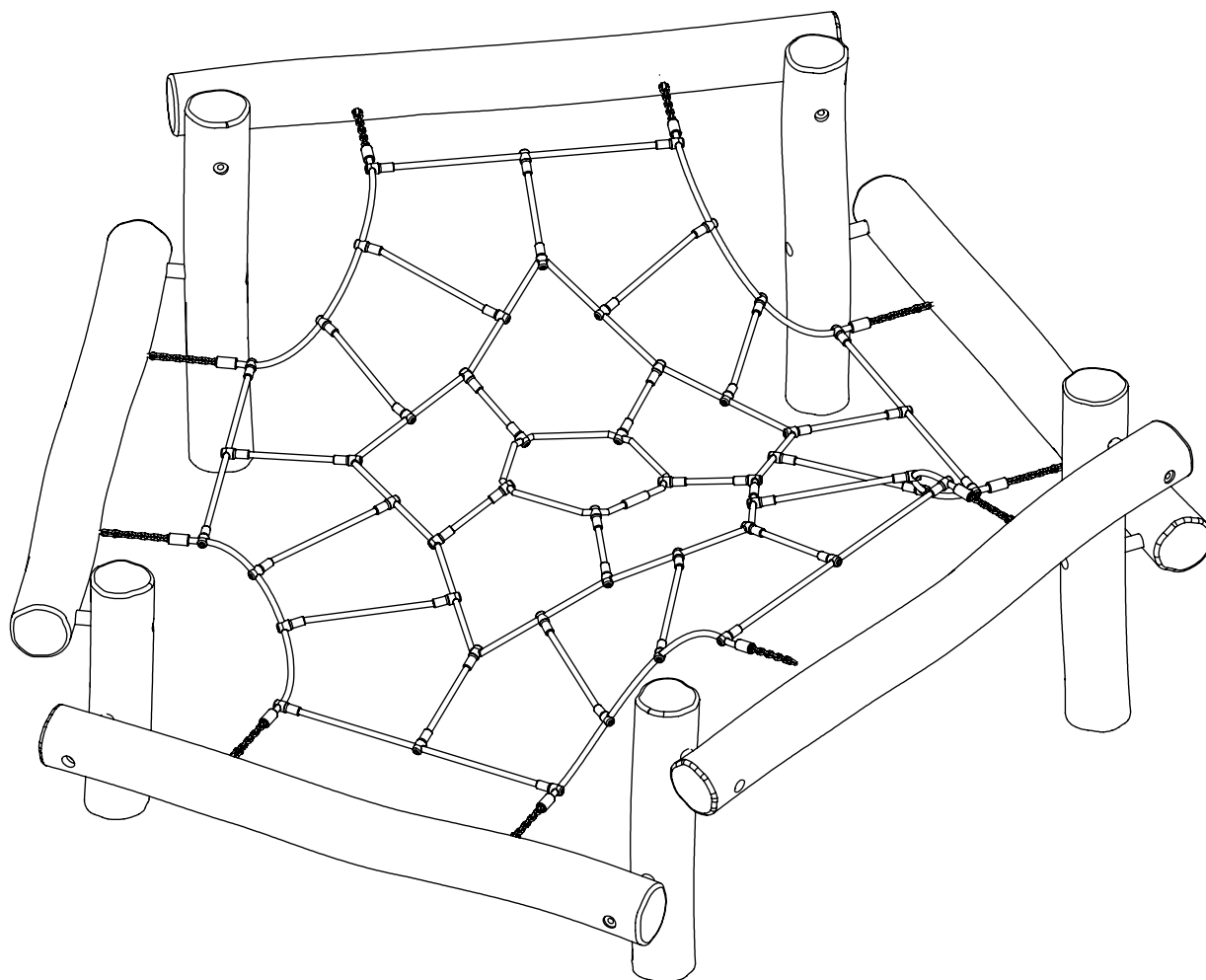


RB1281



3h



48h

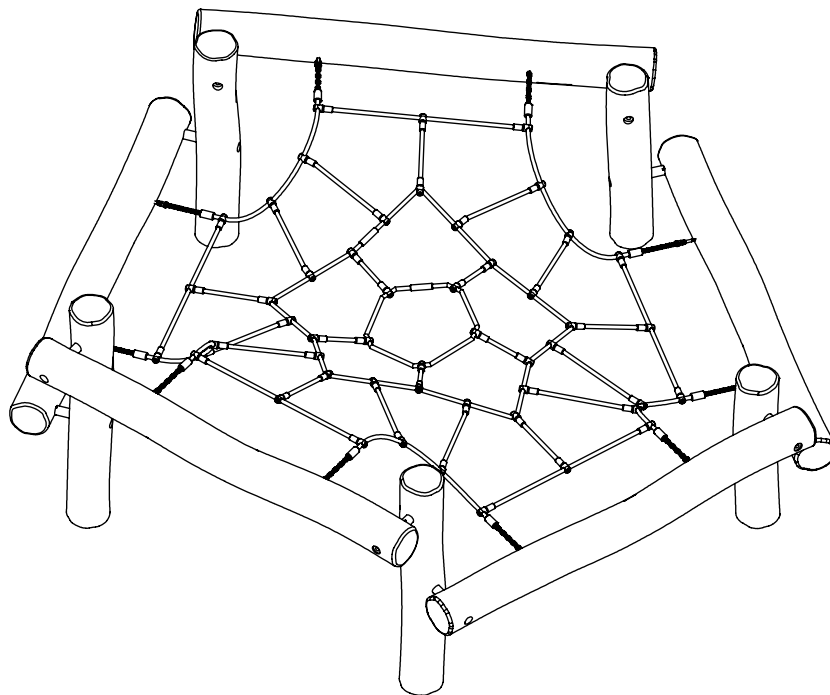
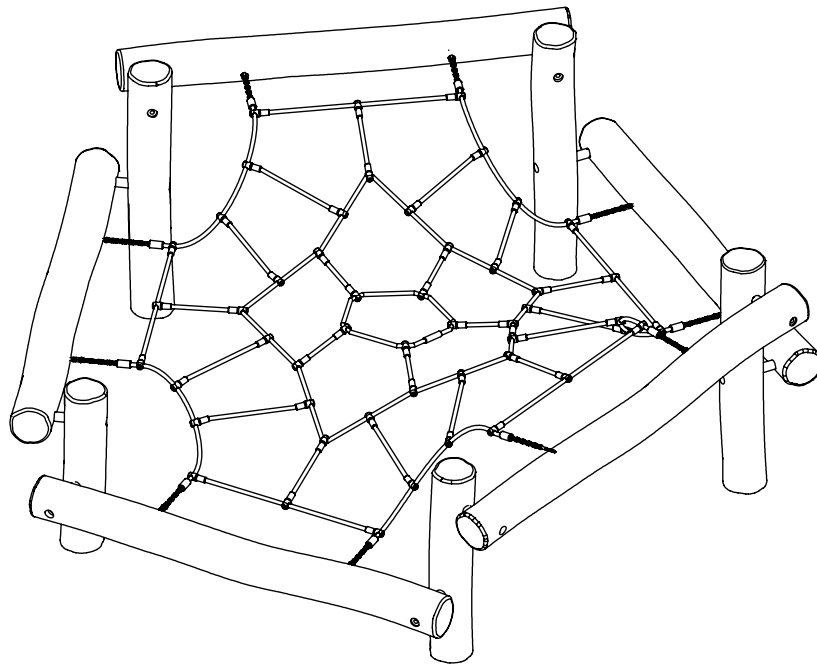


114
HIC



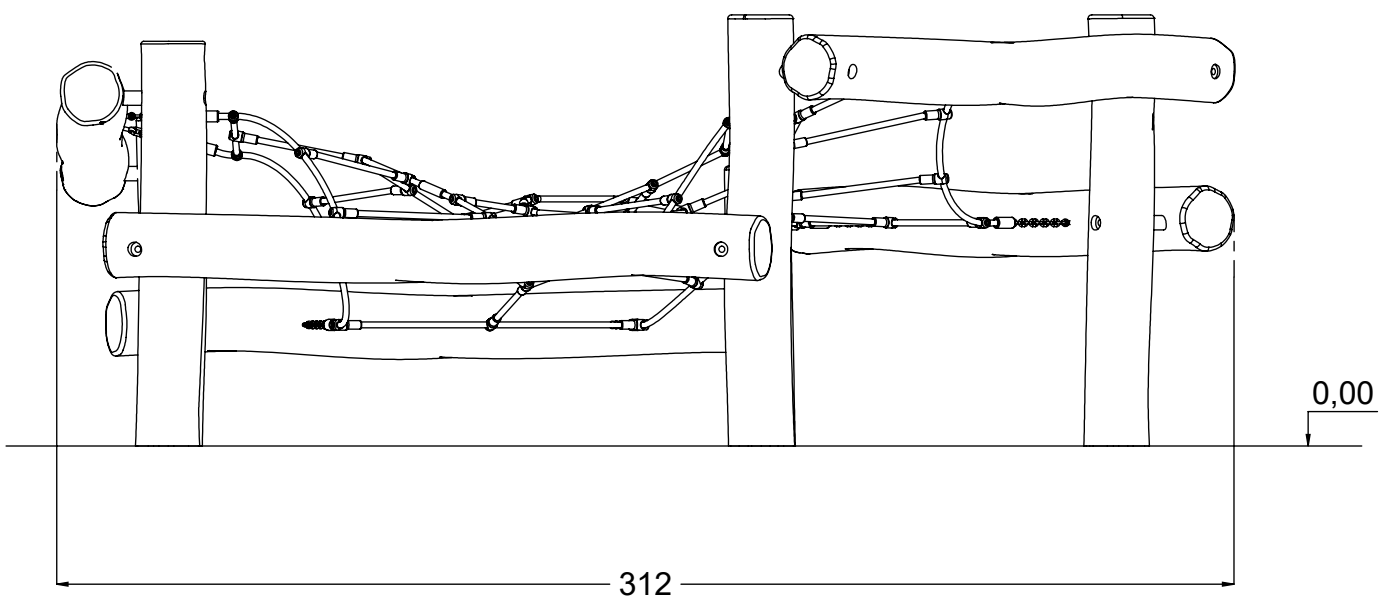
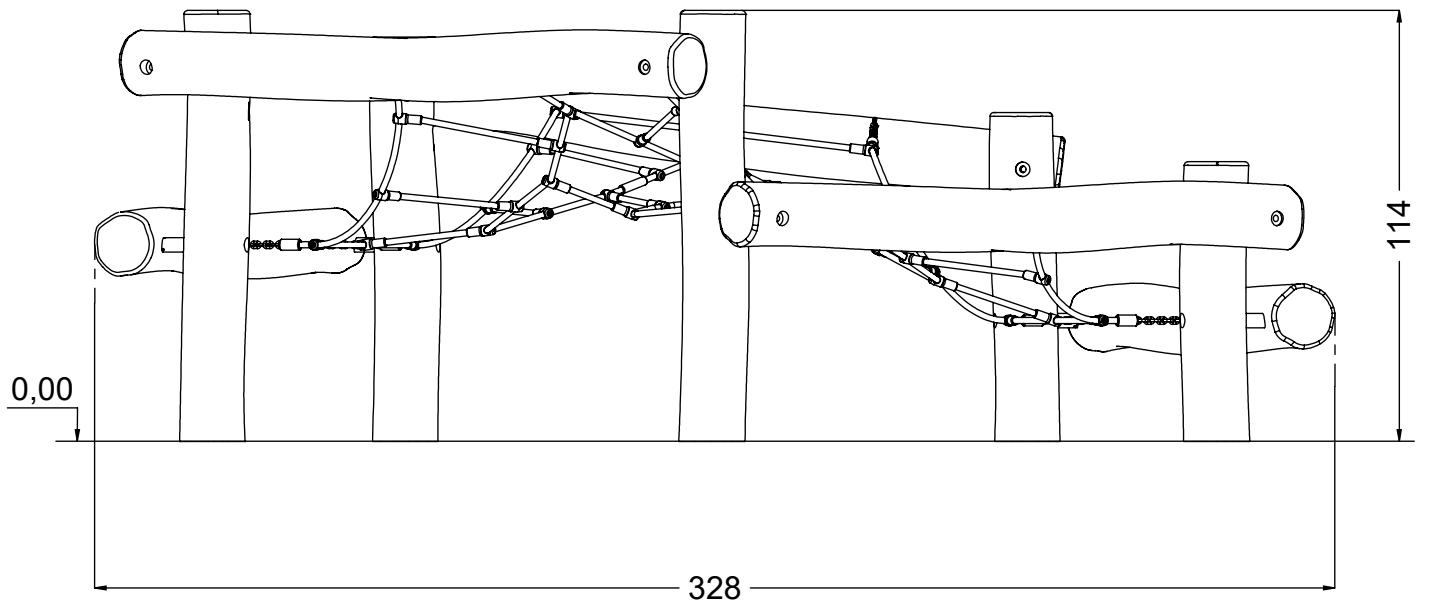
v010
25.02.2021
A. P.
[cm]

vinci
play



[cm]

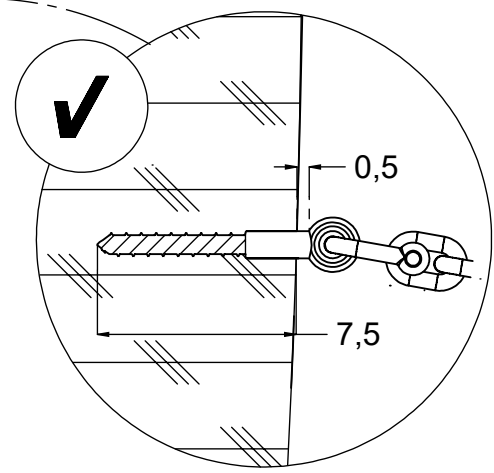
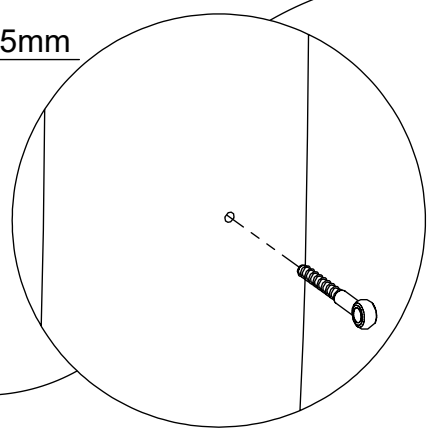
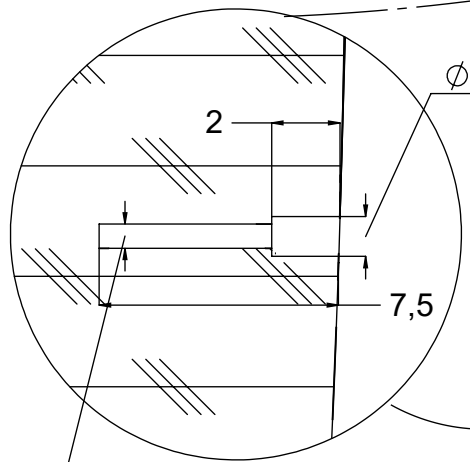
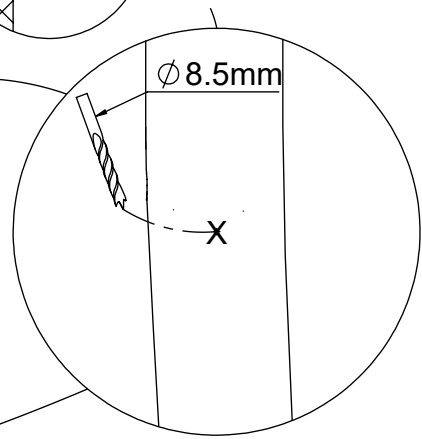
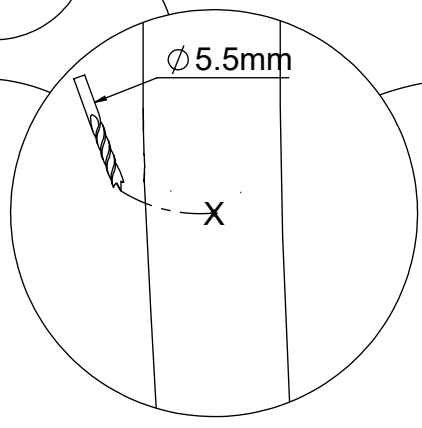
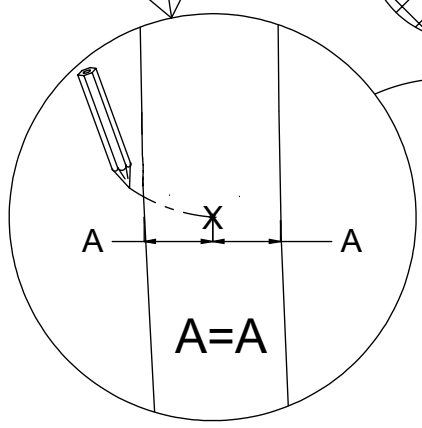
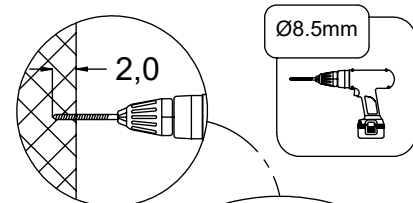
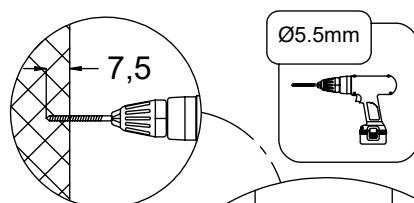
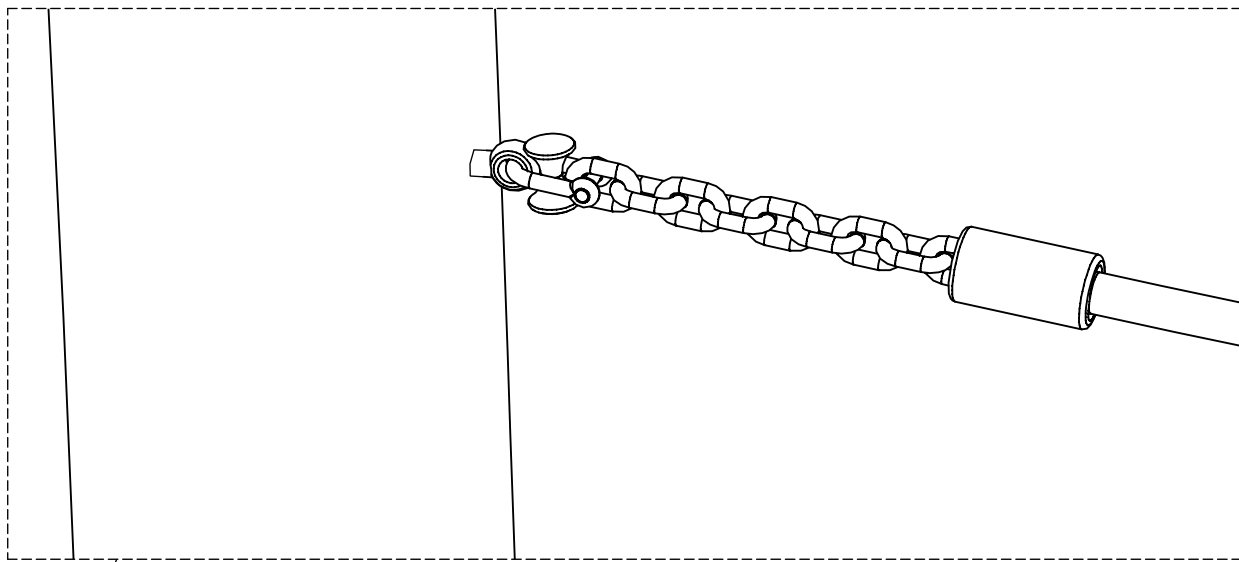
vinci
play



[cm]



vinci
play



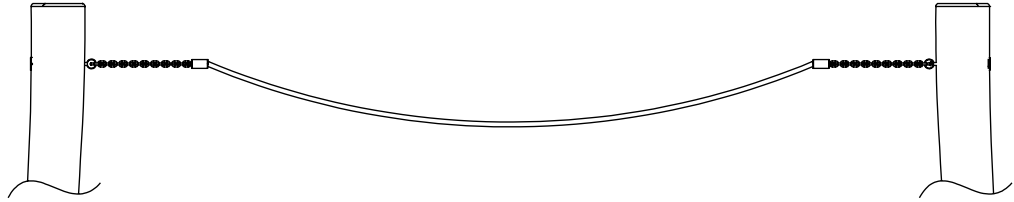
[cm]

vinci
play

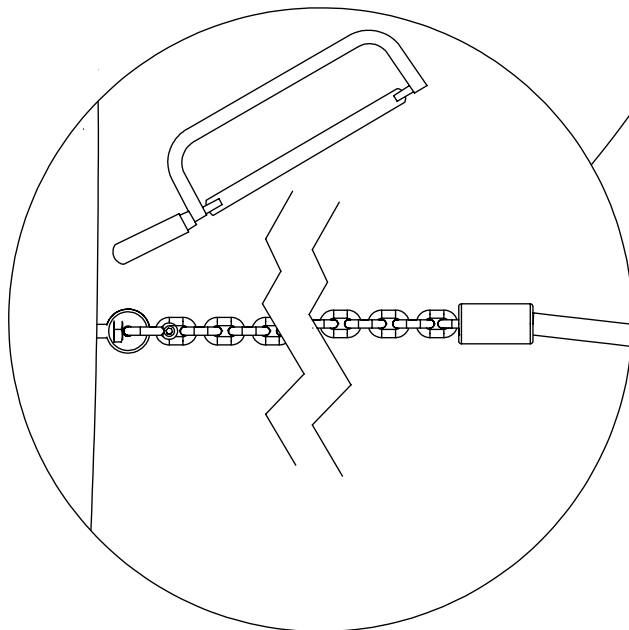
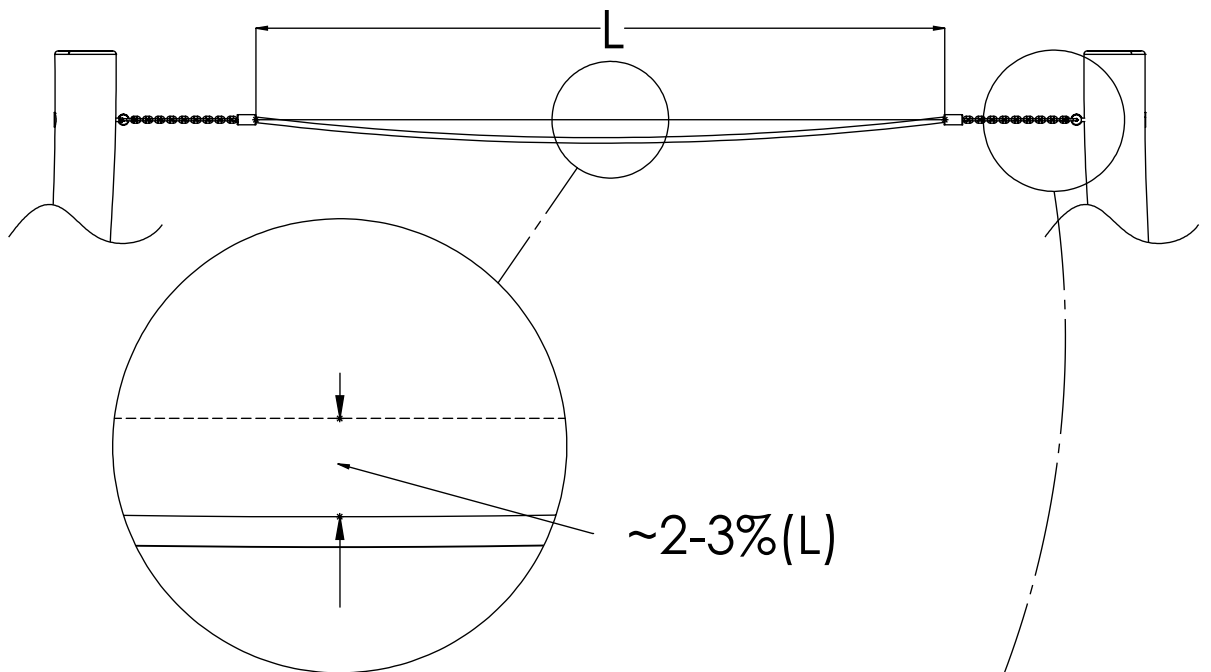
X

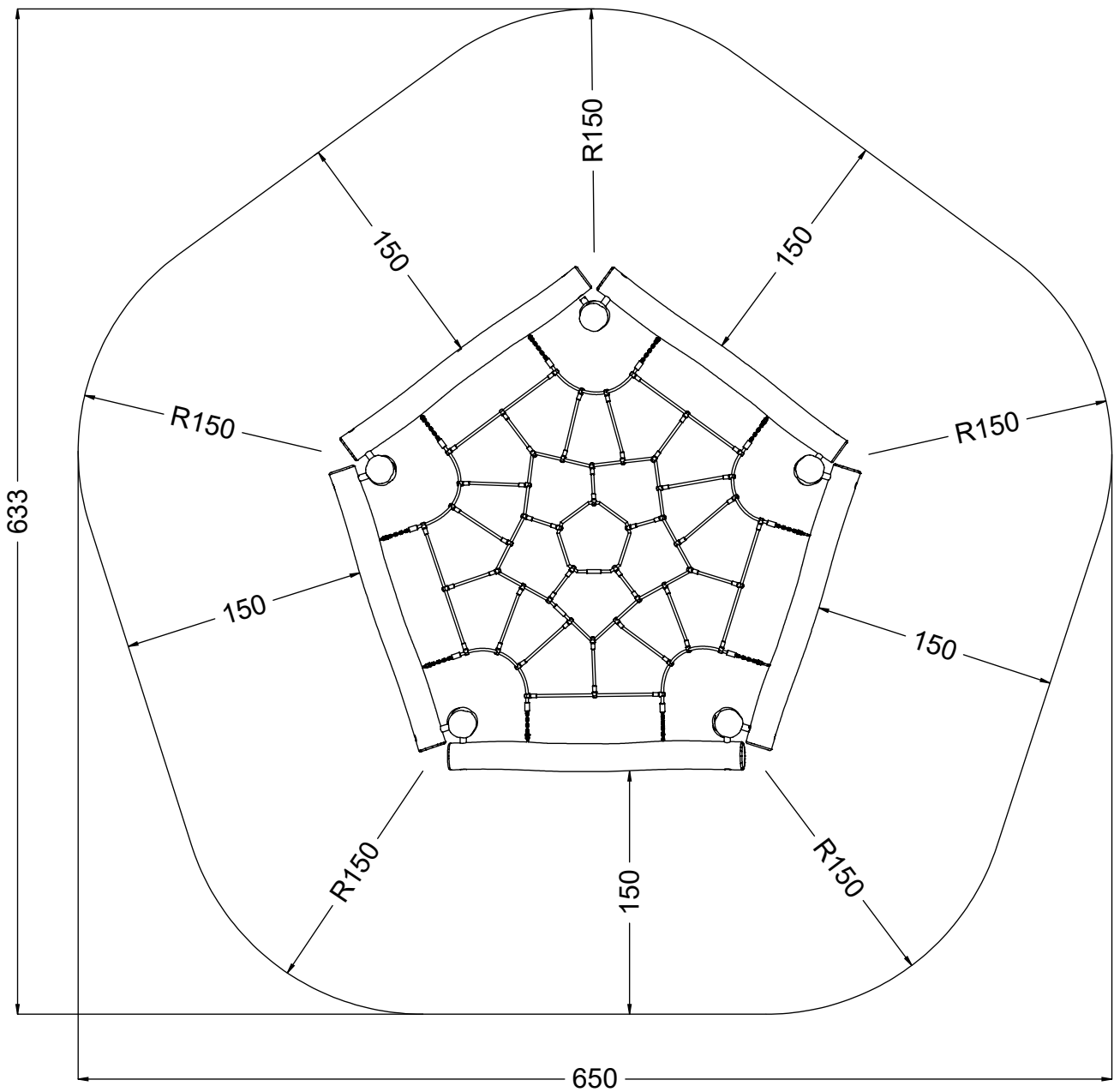


X



V

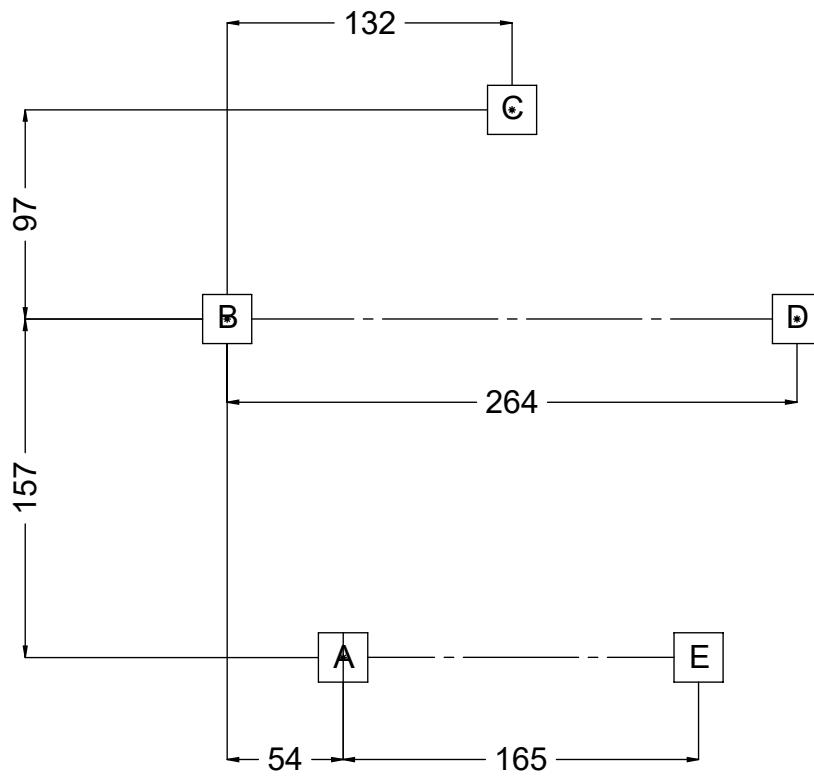
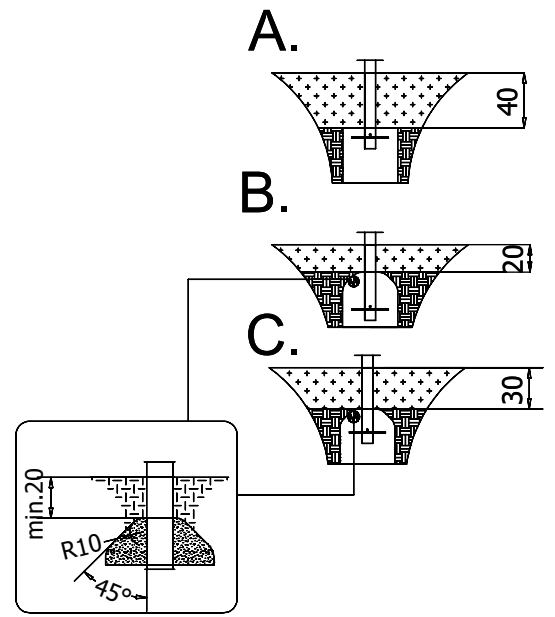
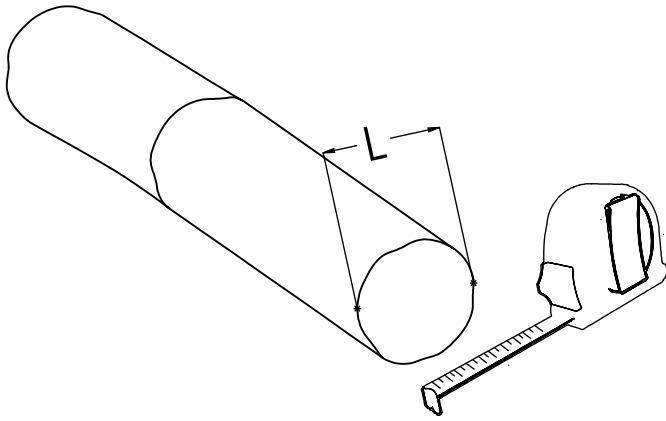
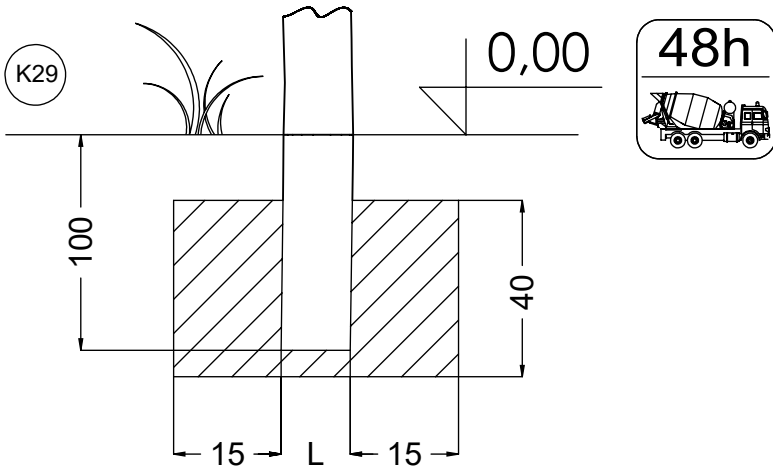




[cm]



vinci
play



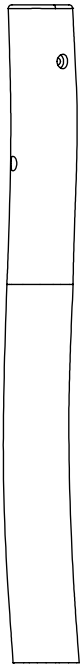
[cm]



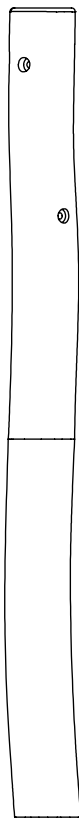
3h



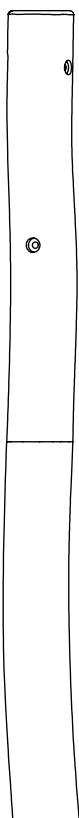
vinci
play



127161 (A)
x1



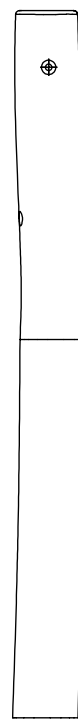
127160 (B)
x1



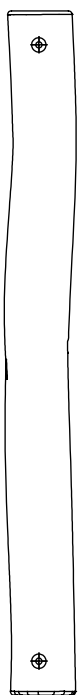
127164 (C)
x1



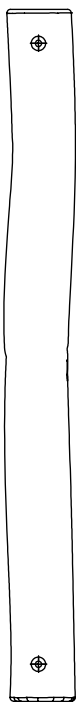
127163 (D)
x1



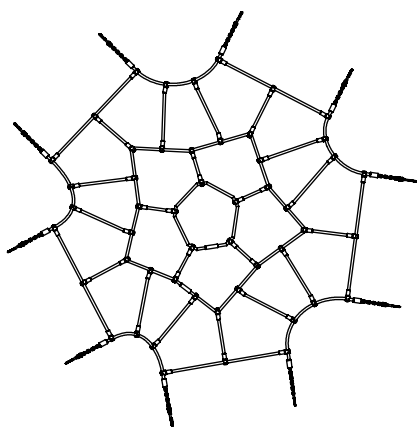
127162 (E)
x1



127168
x4

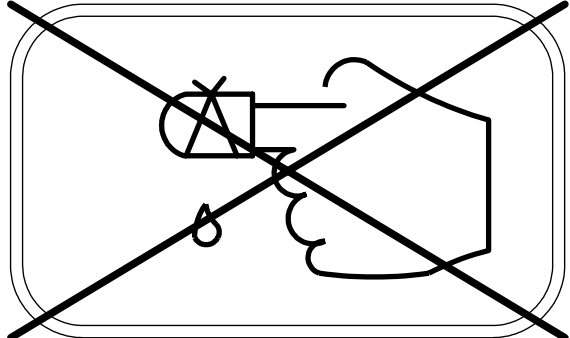
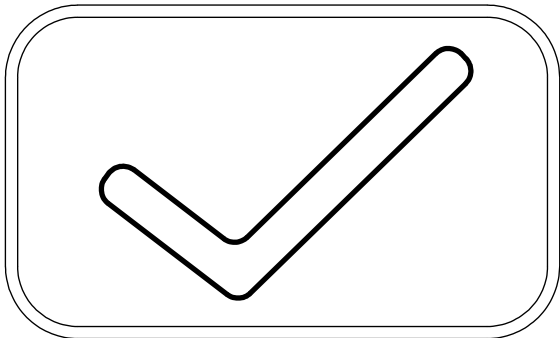
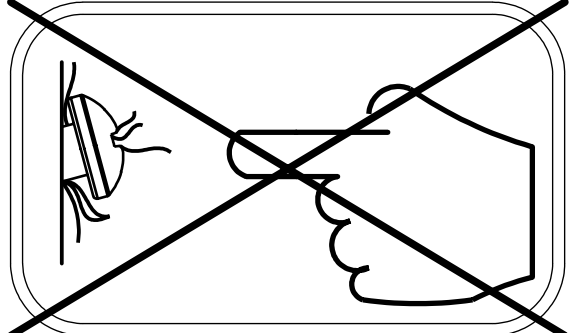
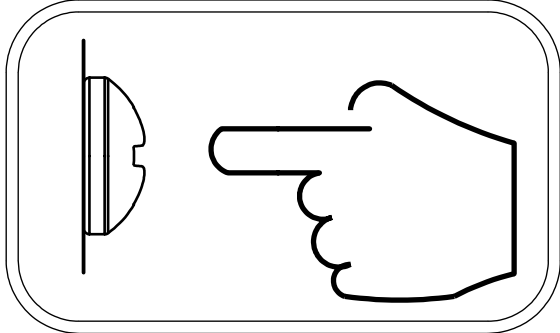
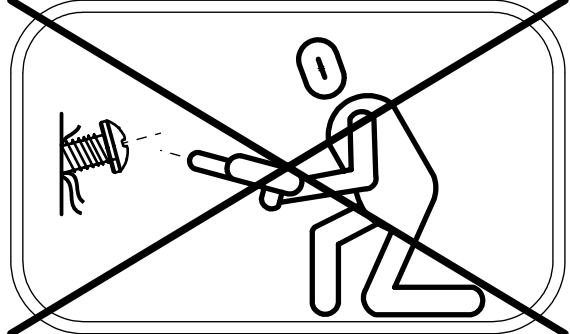
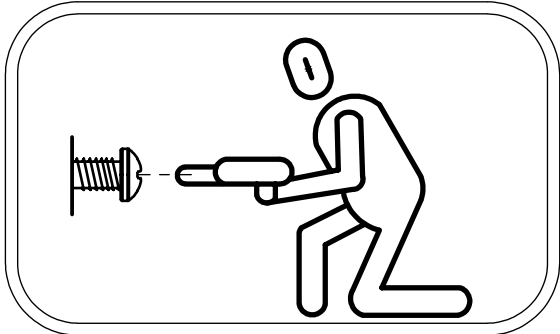


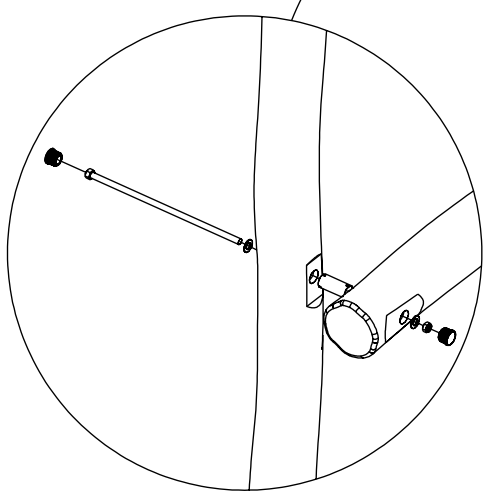
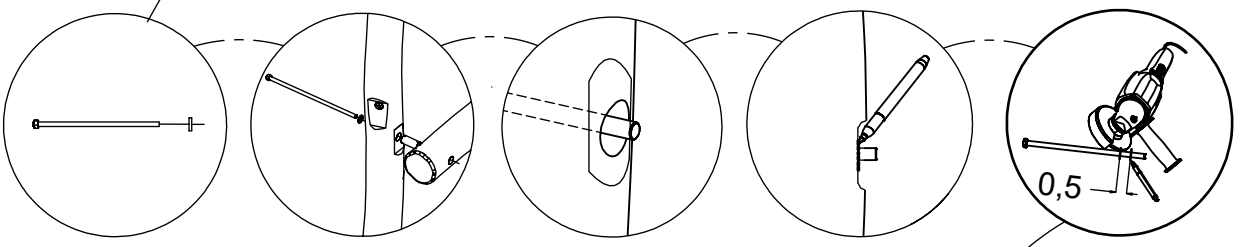
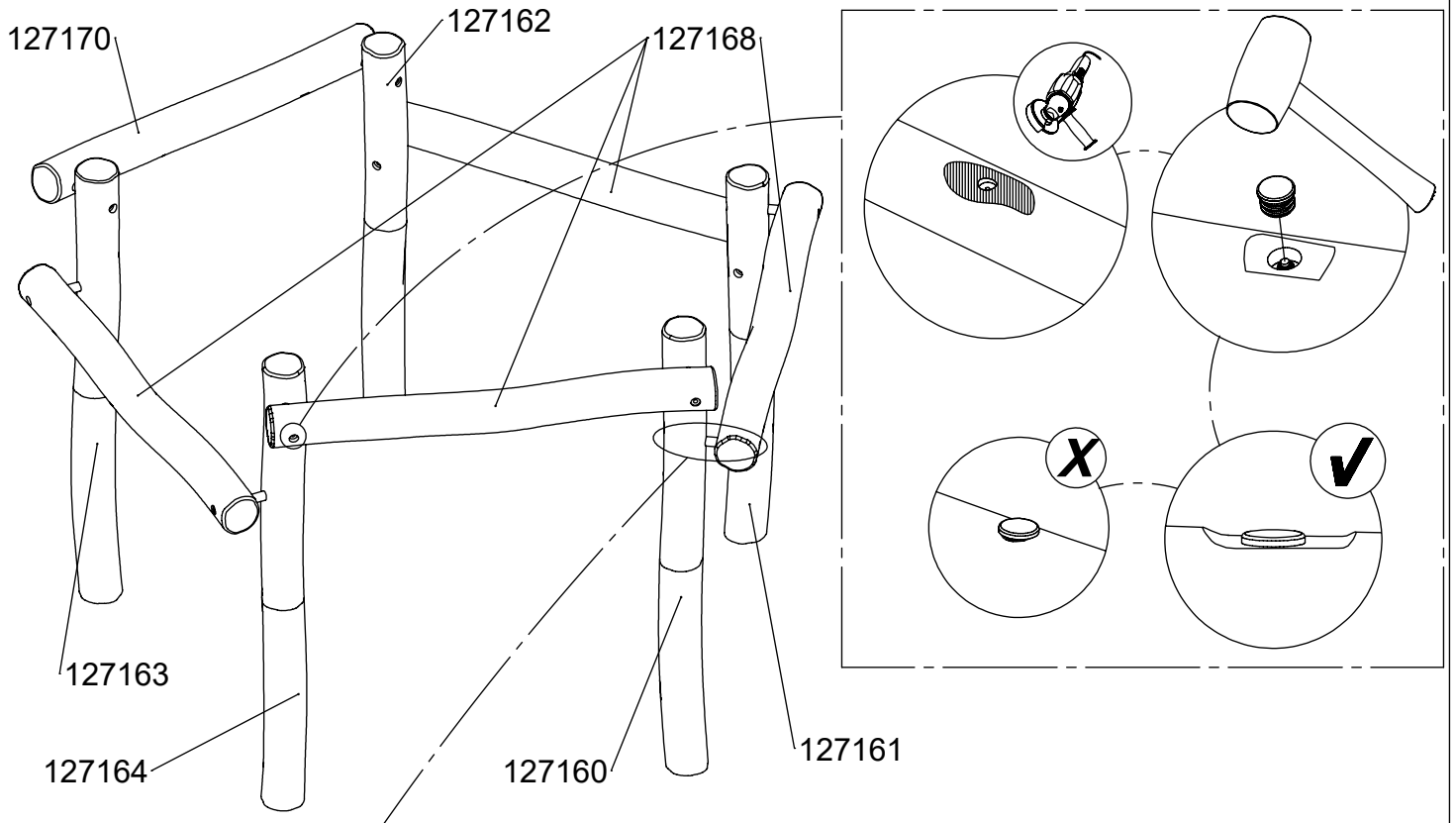
127170
x1



125123
x1

5x	12e022
5x	12e007
1x	V001

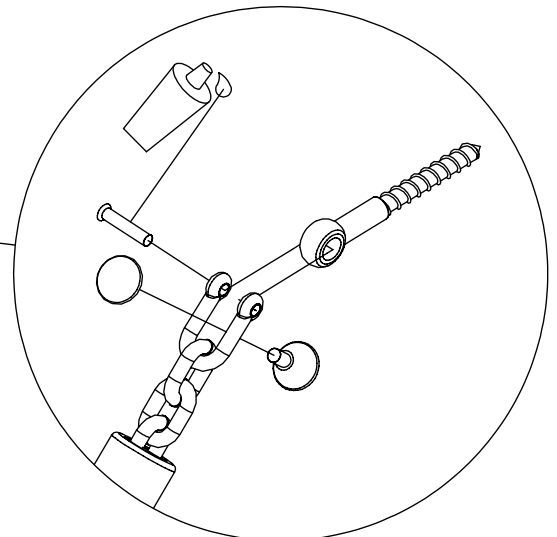
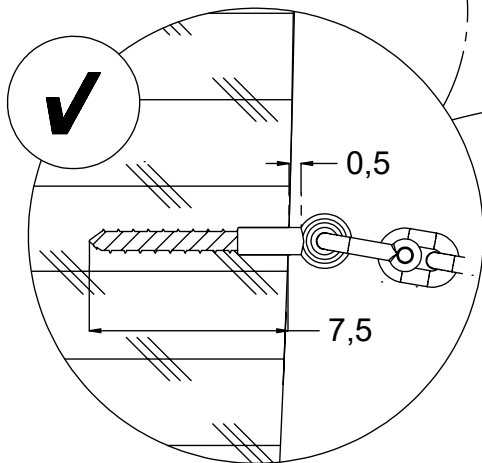
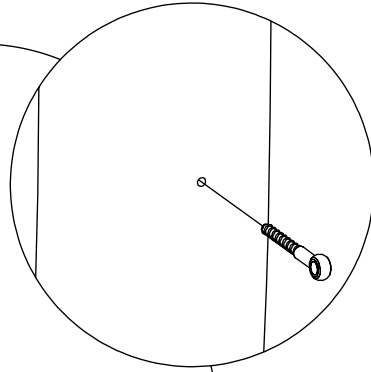
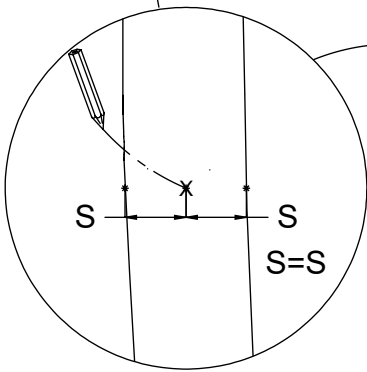
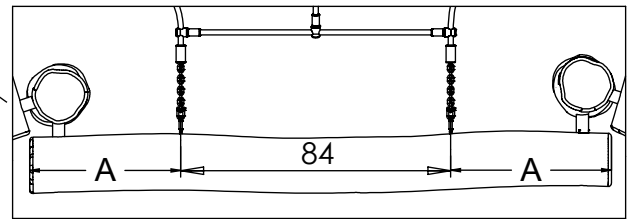
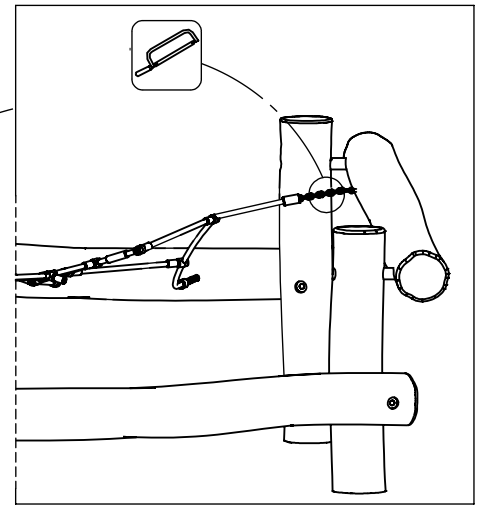
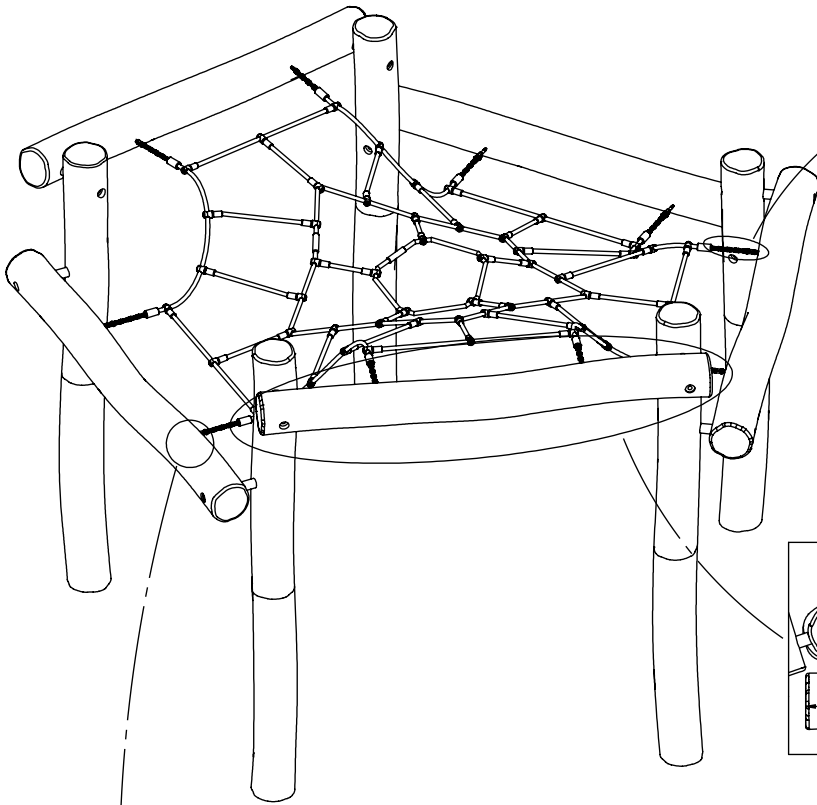




5x 12e022

[cm]

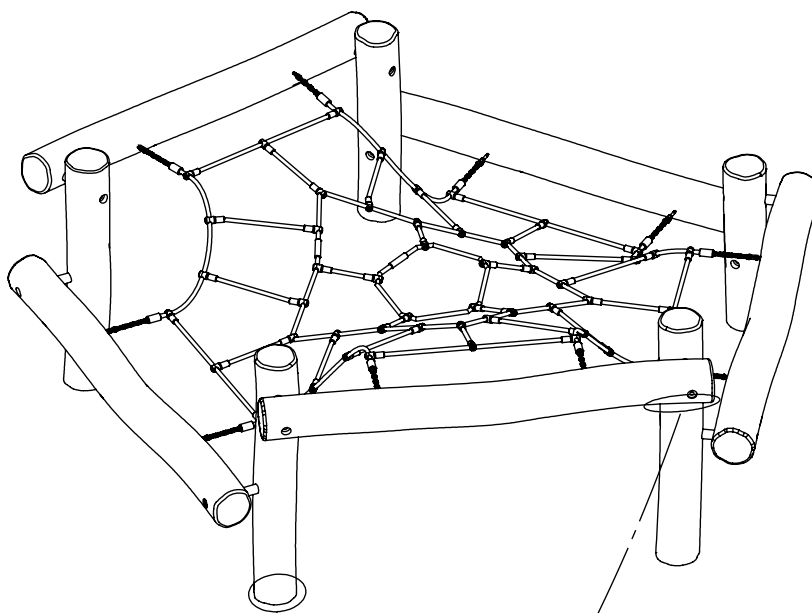
vinci
play



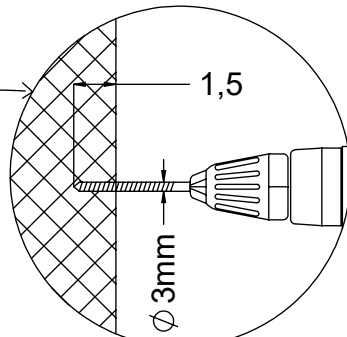
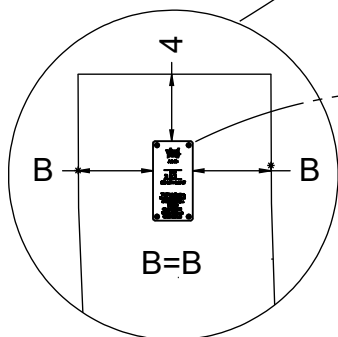
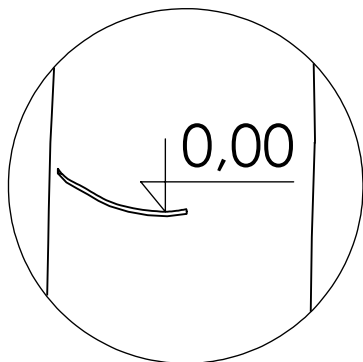
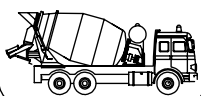
5x 12e007

vinci
play

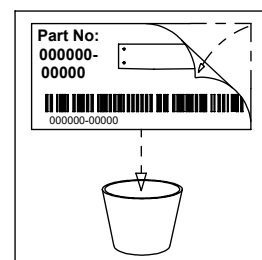
[cm]



48h



V001



[cm]

vinci play