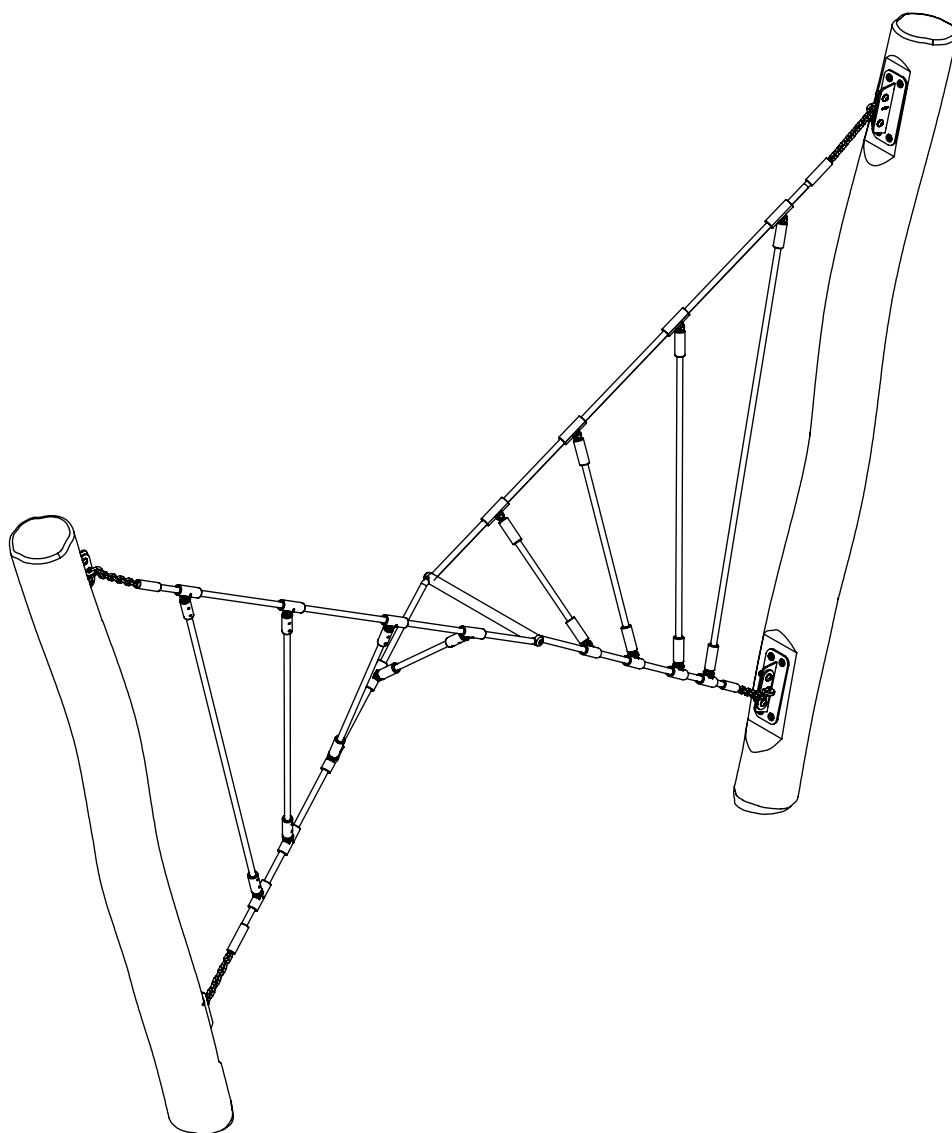


RB1282



1h



48h



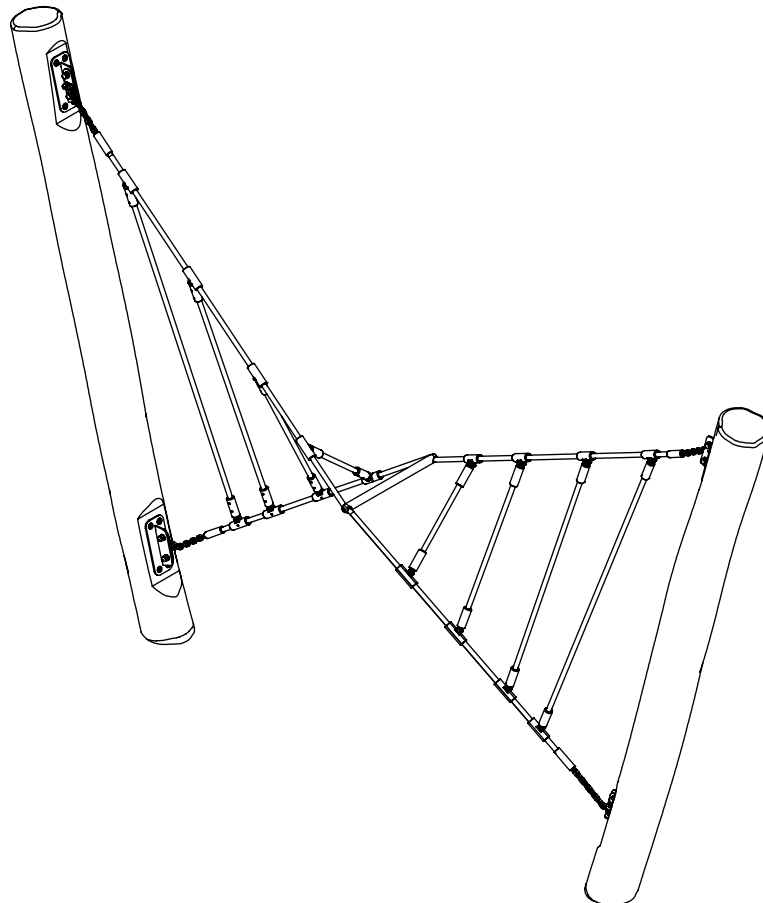
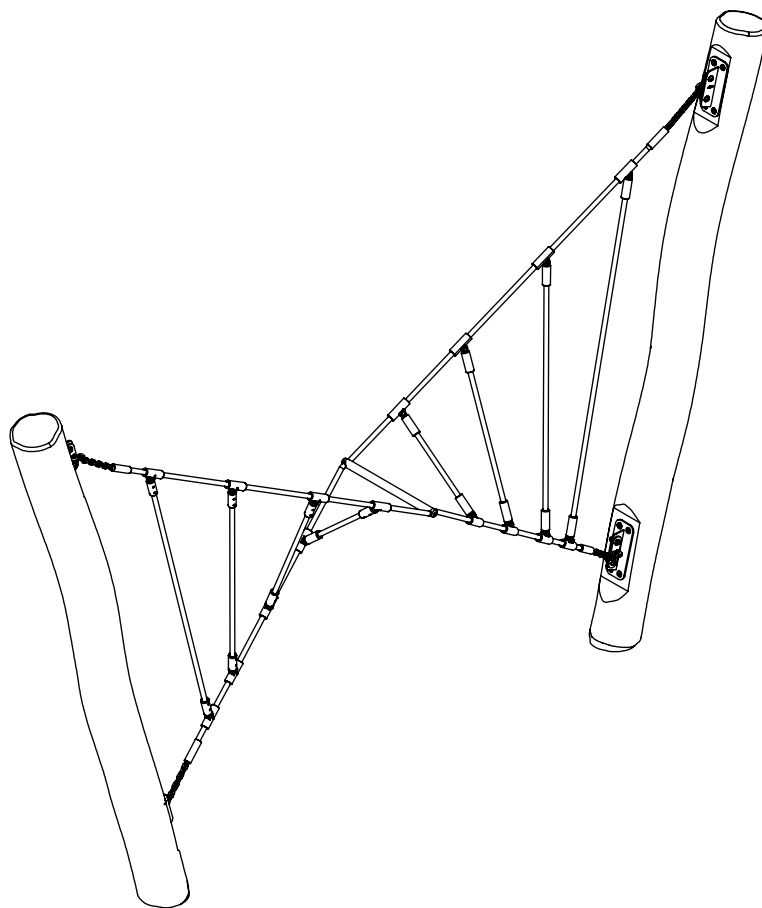
>0.06m²

120
HIC



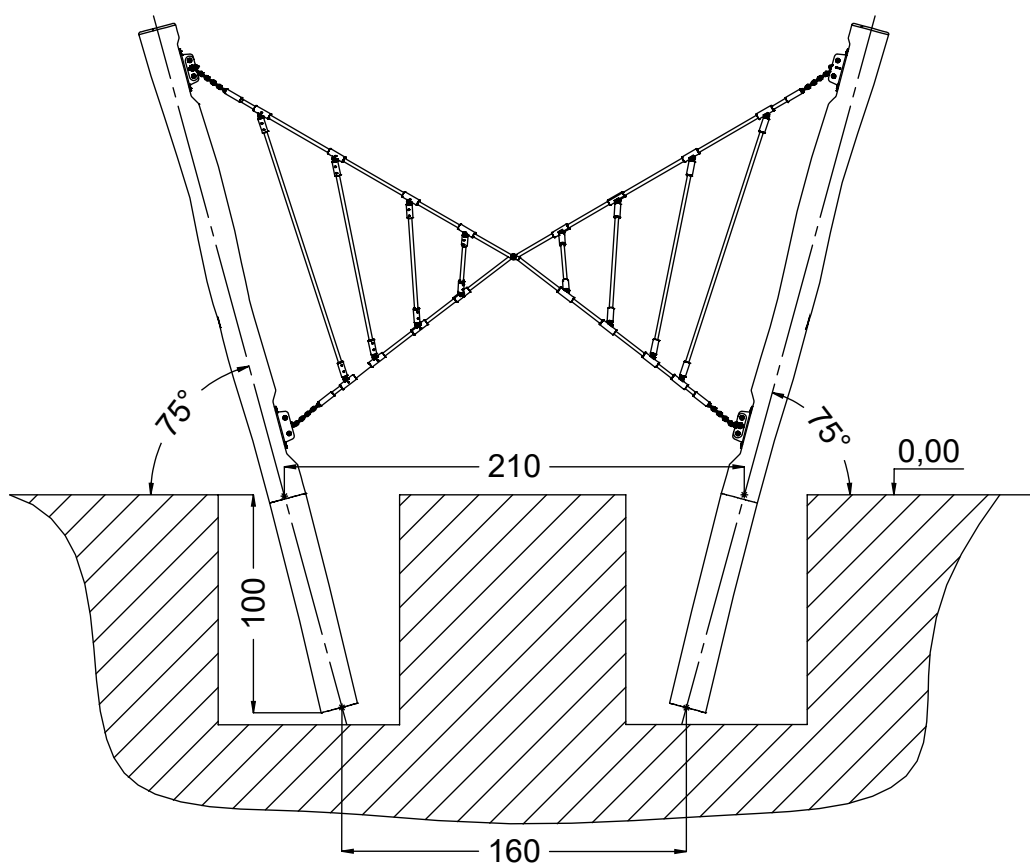
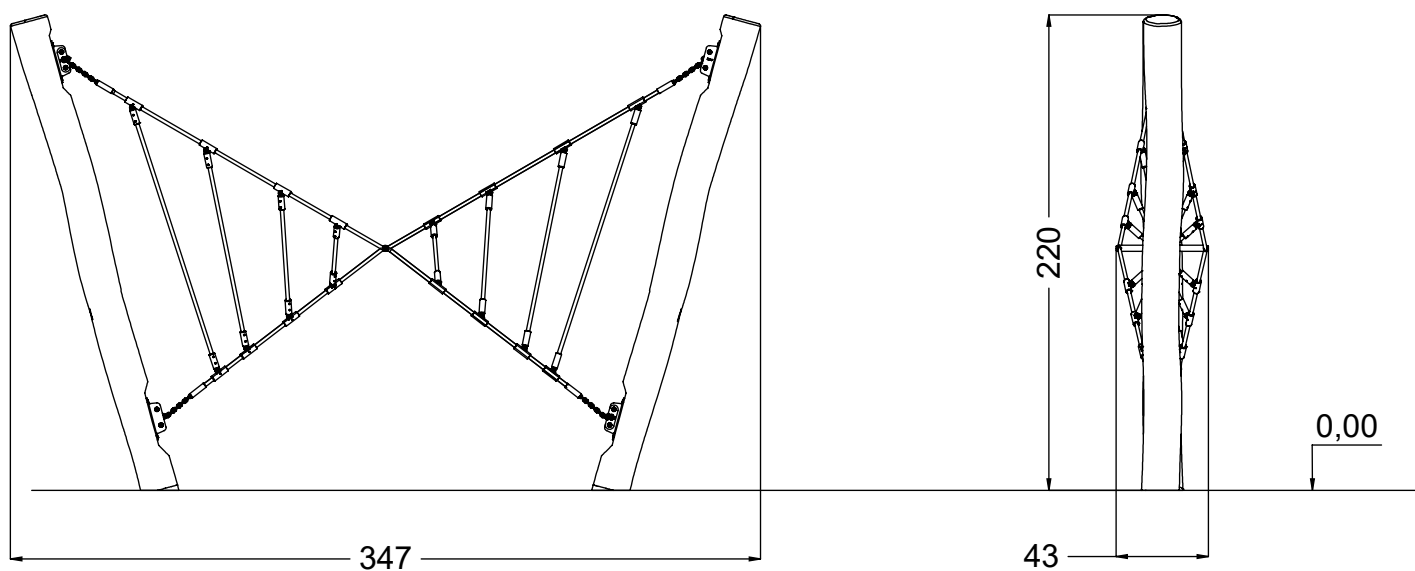
v010
28.11.2020
A. P.
[cm]

vinci
play



[cm]

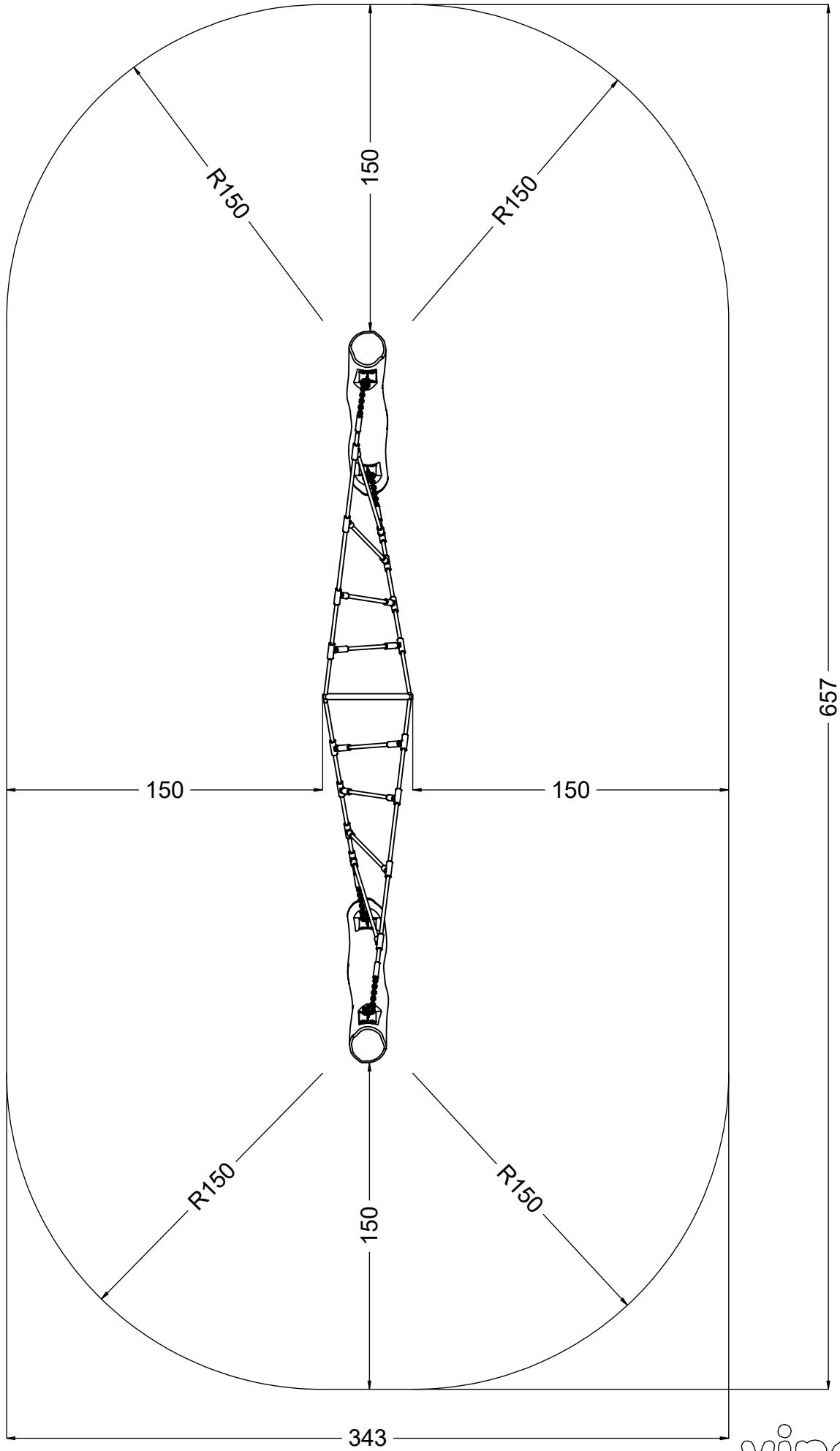
vinci
play



[cm]



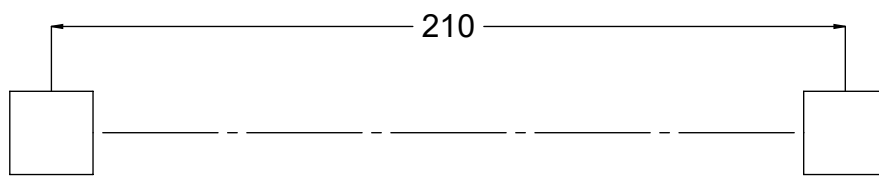
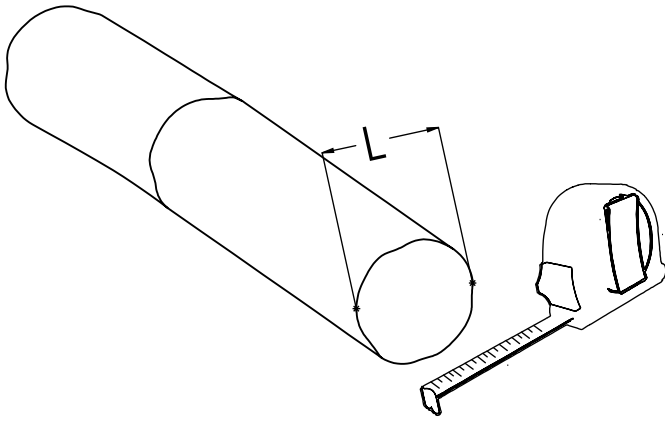
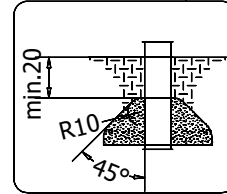
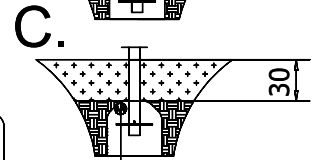
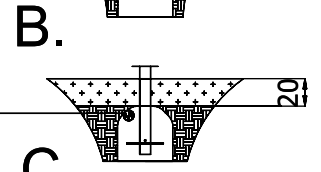
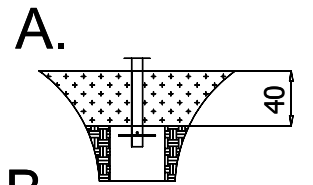
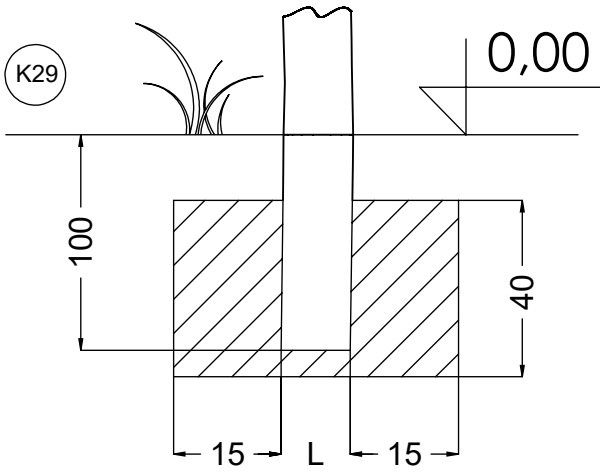
vinci
play



[cm]



vinci
play



[cm]



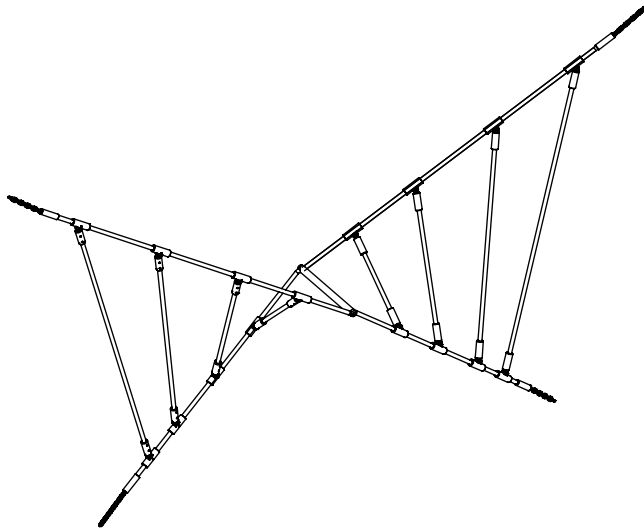
1h



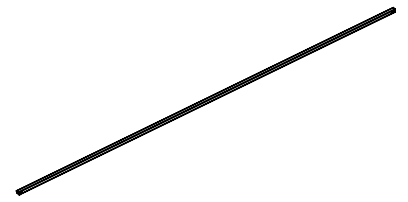
vinci
play



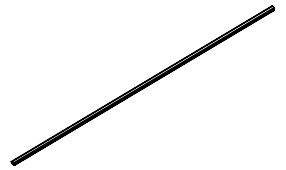
127359
x2



165101
x1



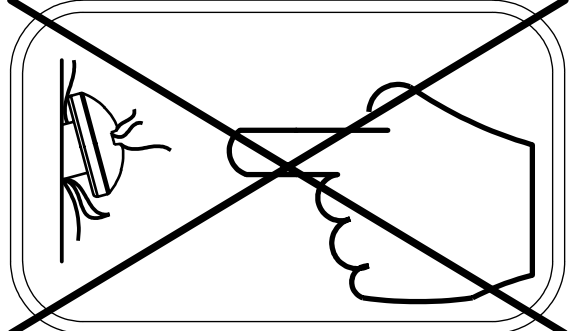
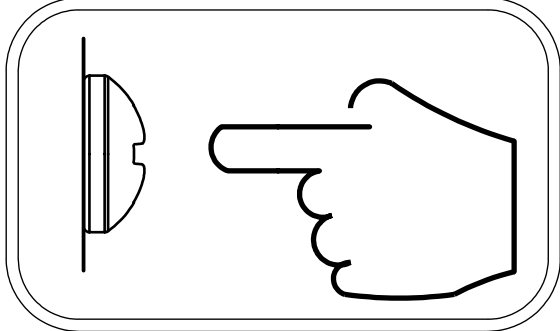
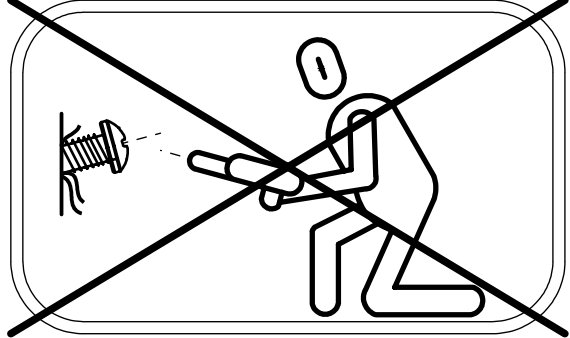
163101
x1

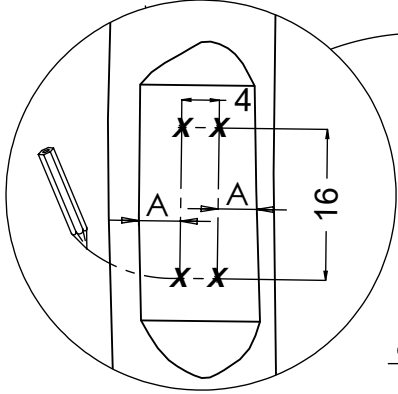
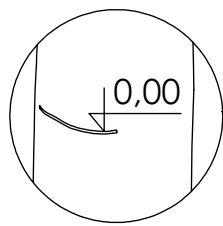
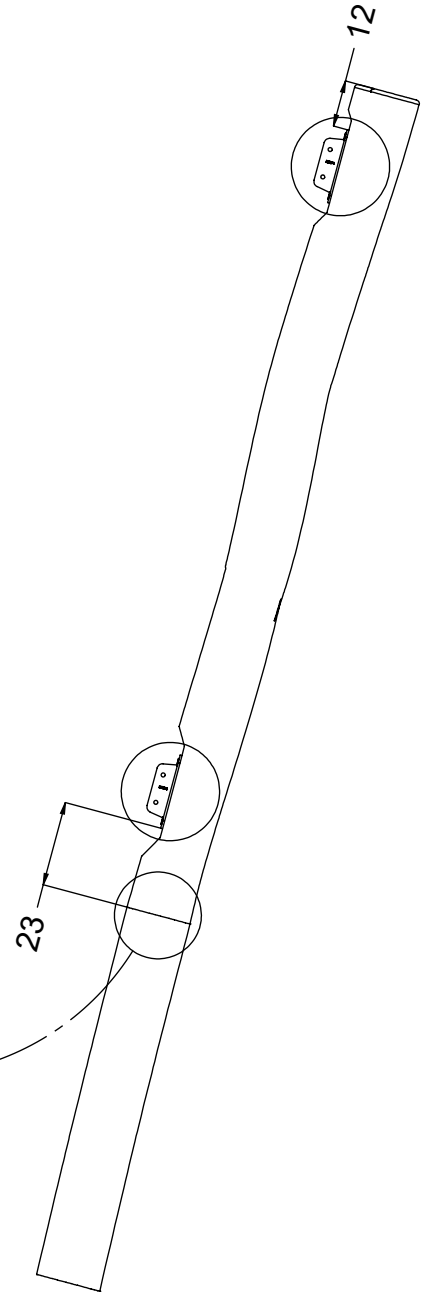
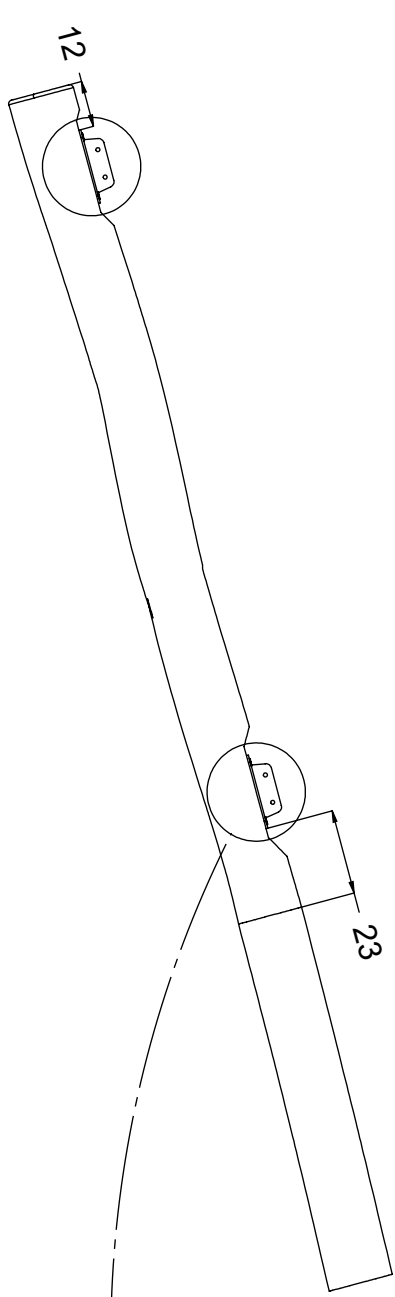


163100
x1

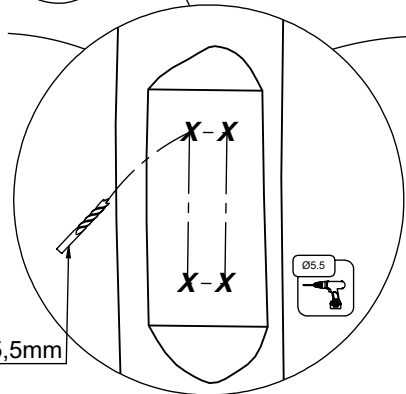
16x	8x80sxt
16x	16pp
4x	162102
4x	162101
1x	GL

2x	E92
2x	E94
1x	V001

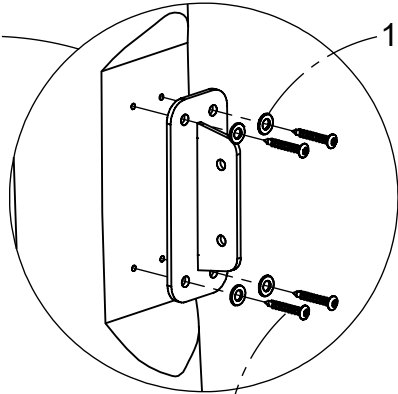




A=A



Ø 5,5mm

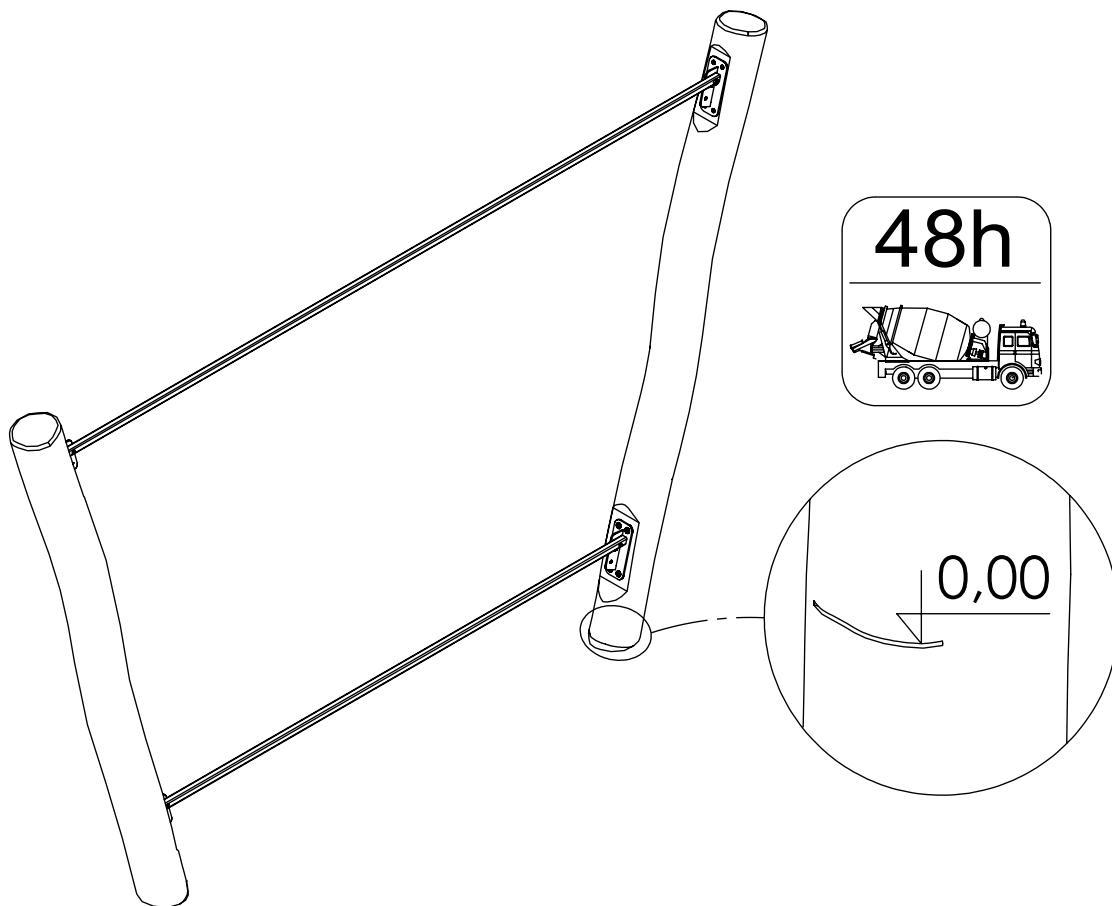
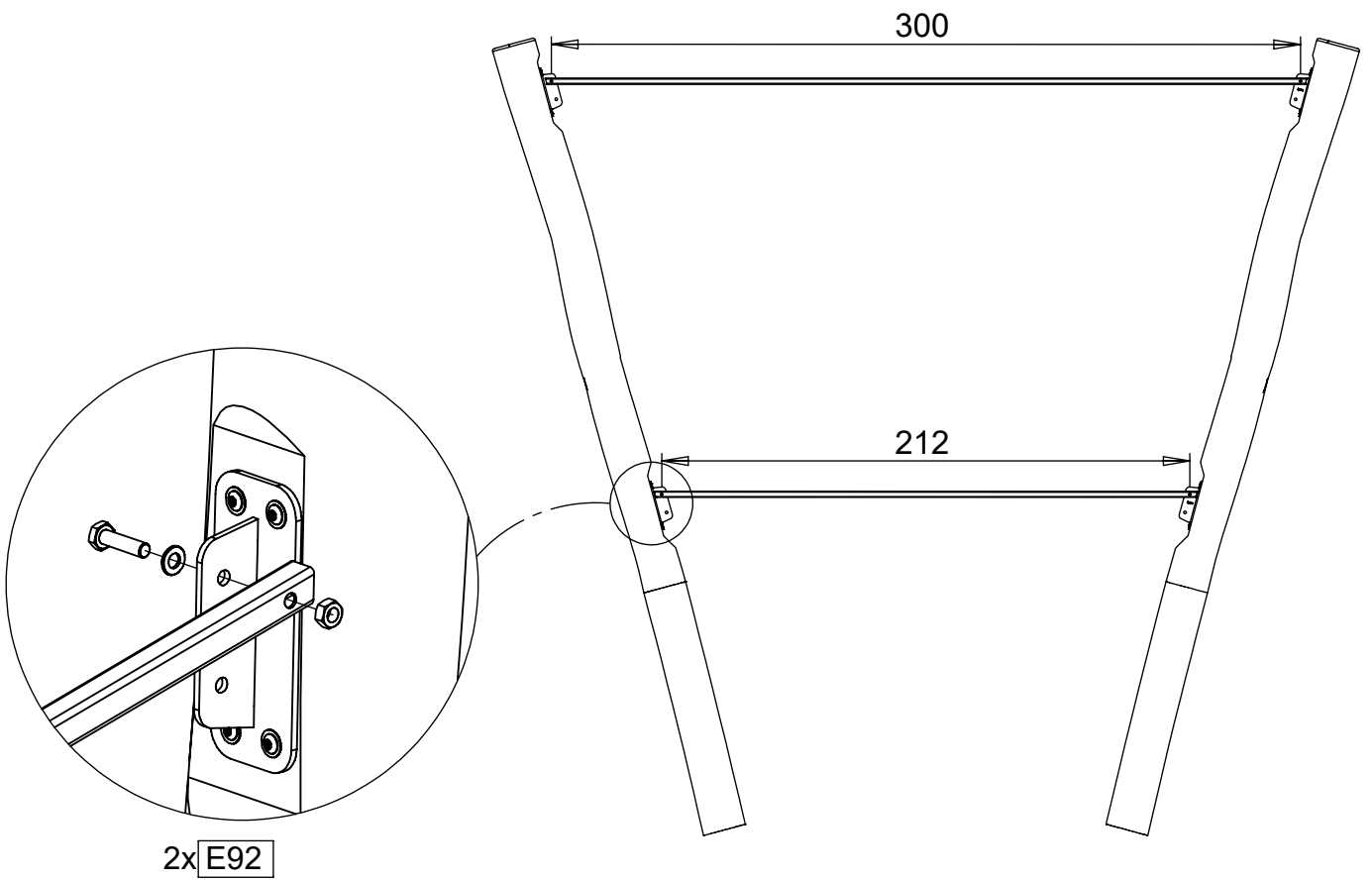


16x 10pp

16x 8x80sxt

[cm]

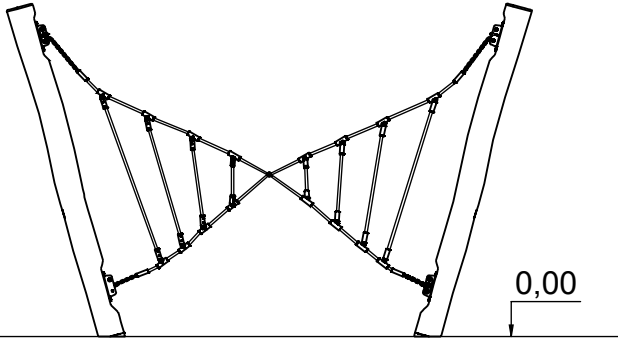
vinci play



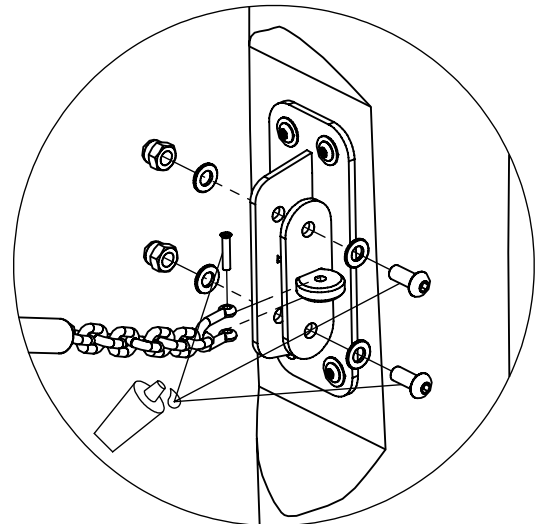
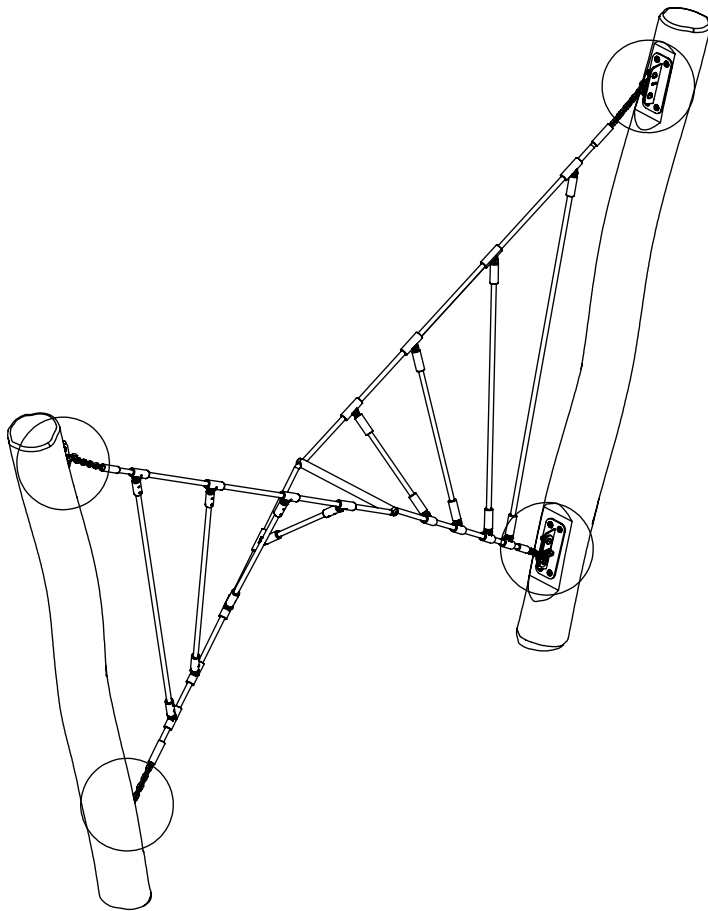
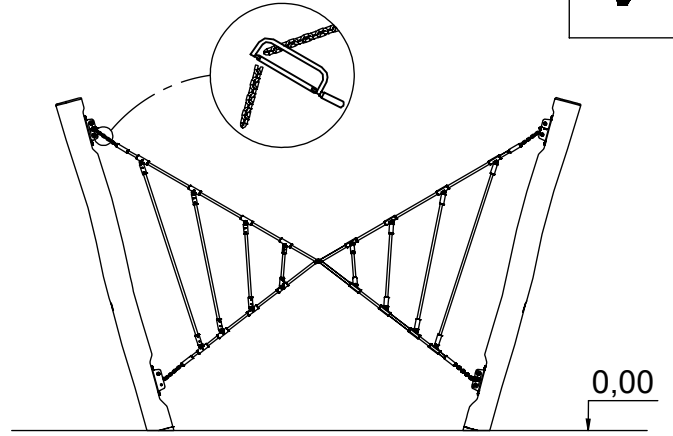
[cm]

vinci
play

X



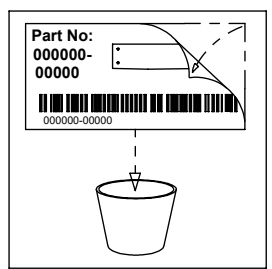
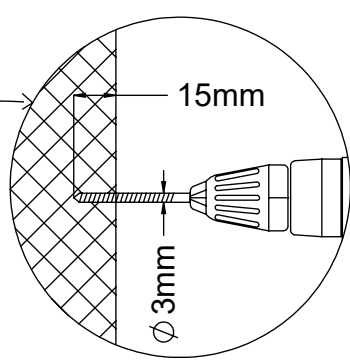
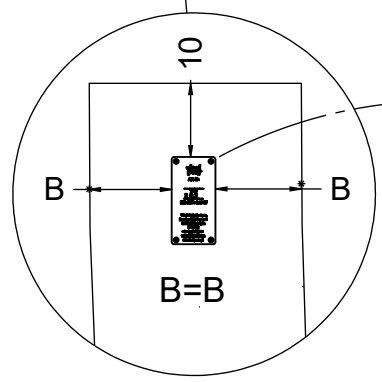
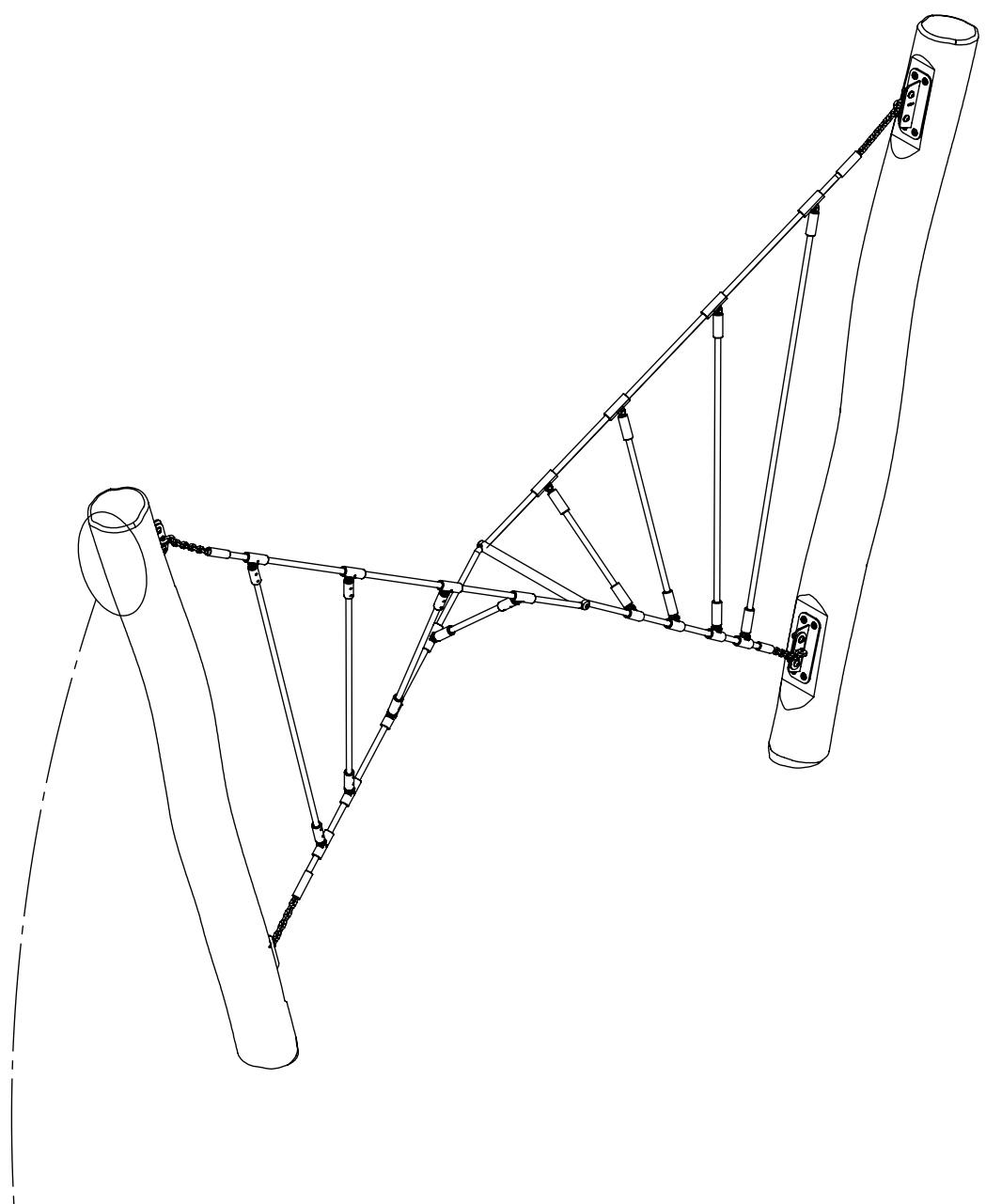
✓



2x E94

[cm]

vinci
play



[cm]

vinci
play