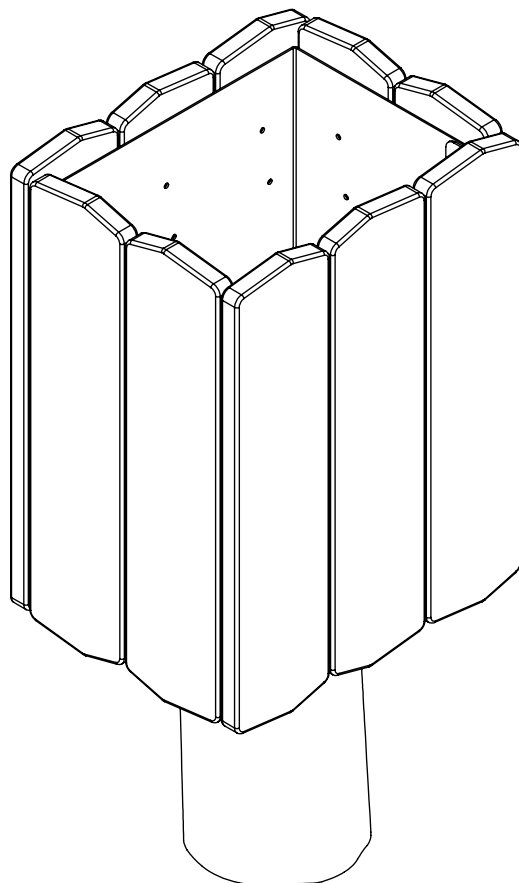


RB1395



v011
19.05.2021
A. P.
[cm]



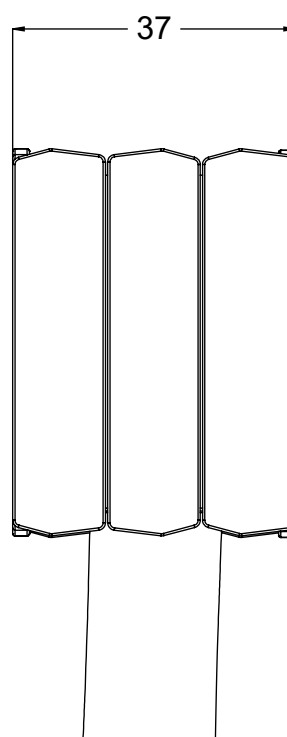
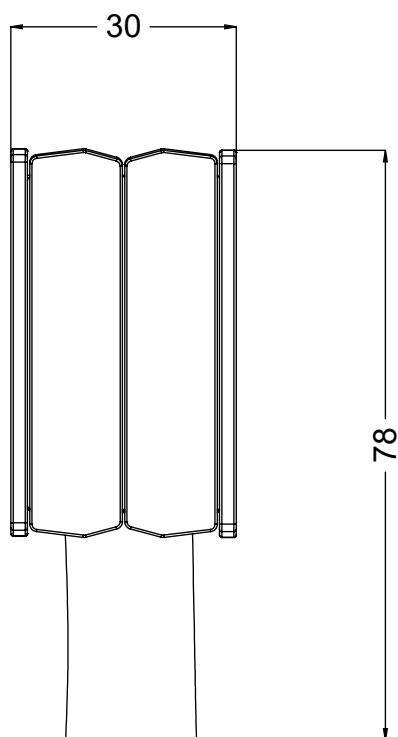
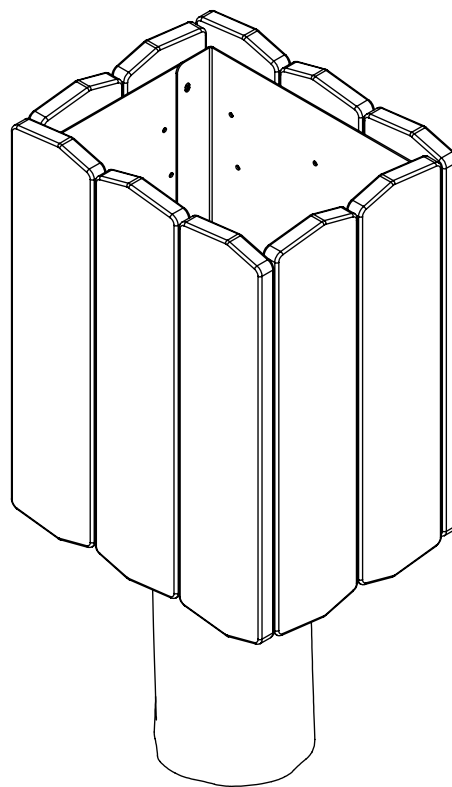
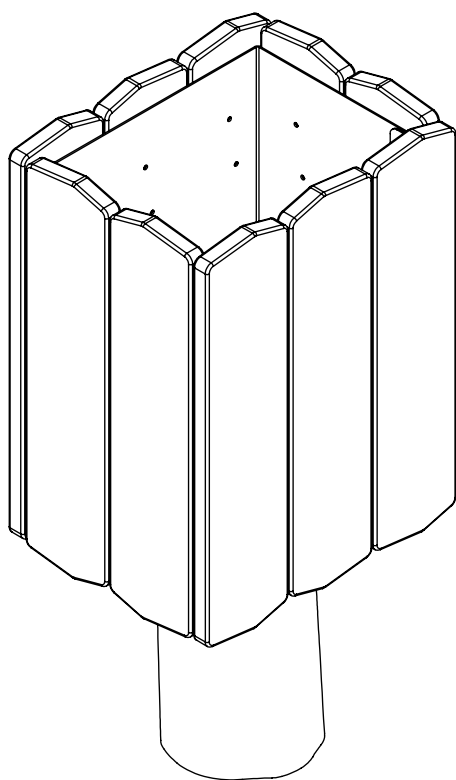
0,5h



48h

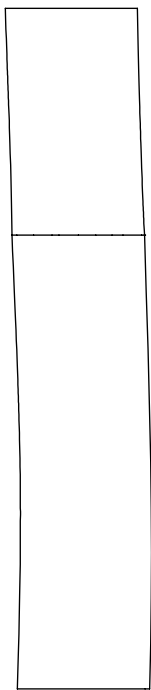
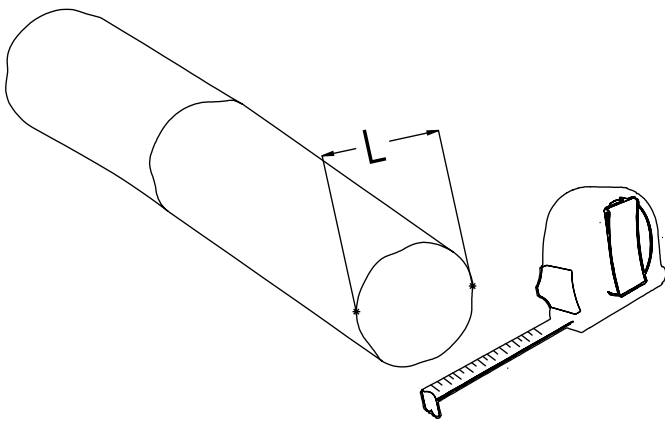
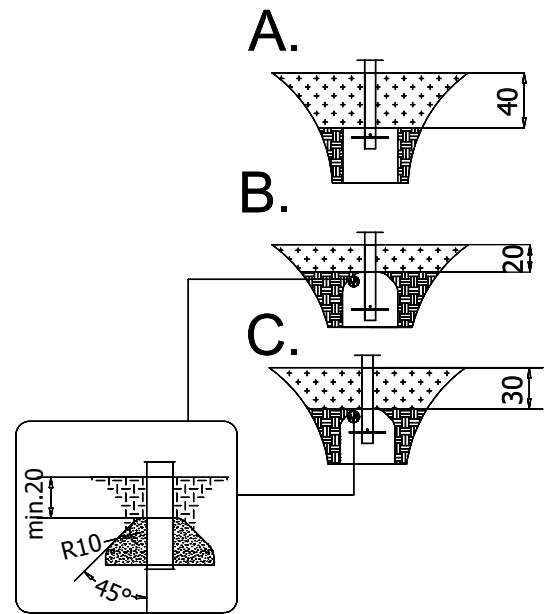
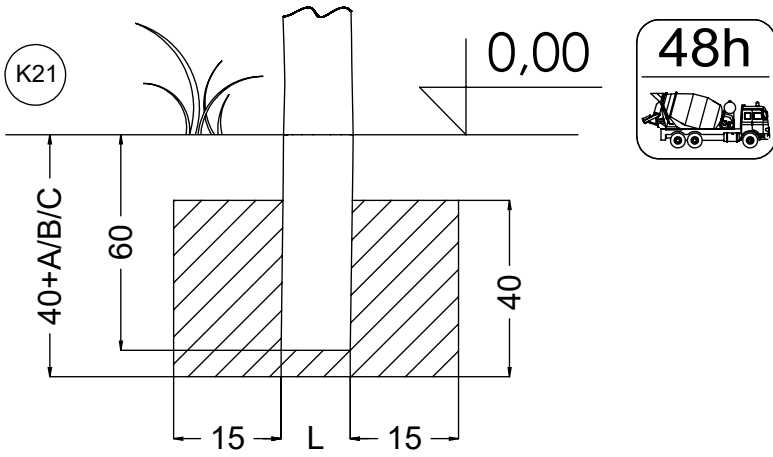


vinci
play

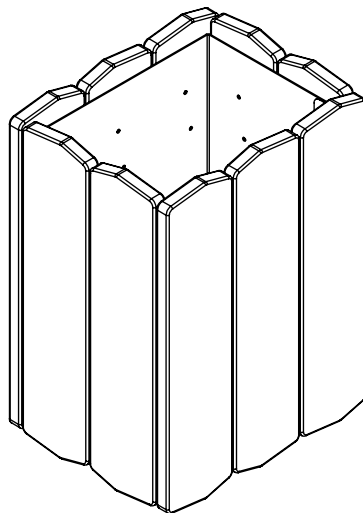


[cm]

vinci
play



1x127375



1x 124152

4x	8x160sxt
4x	10pp
1x	V001

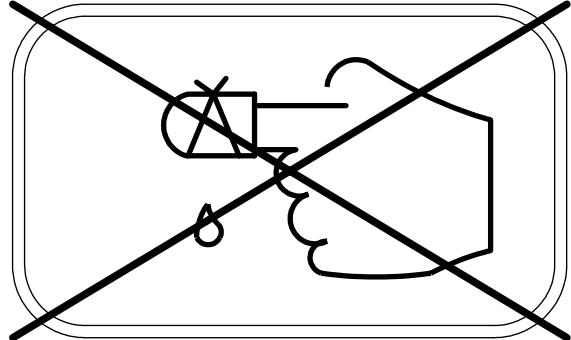
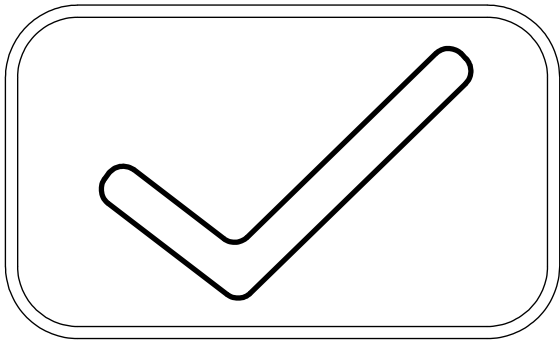
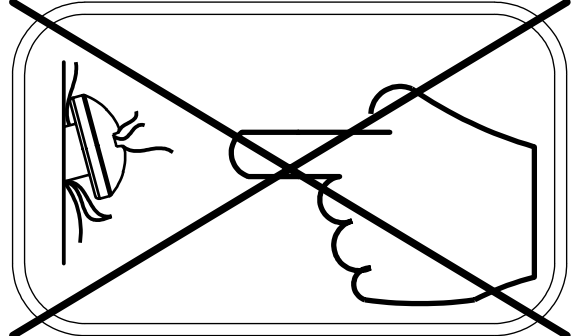
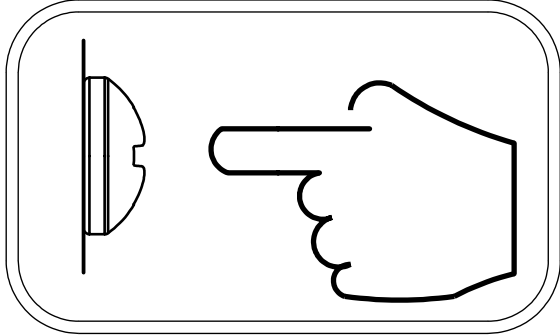
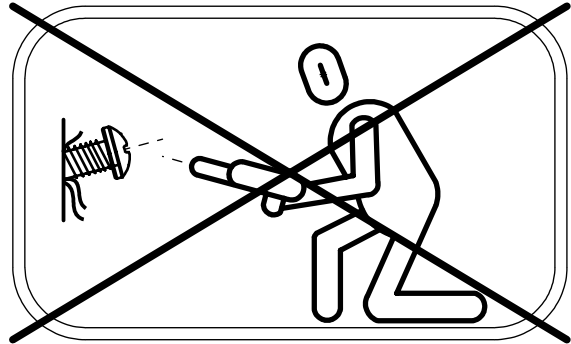
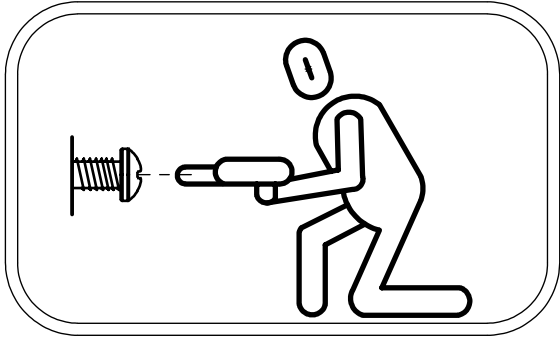
[cm]

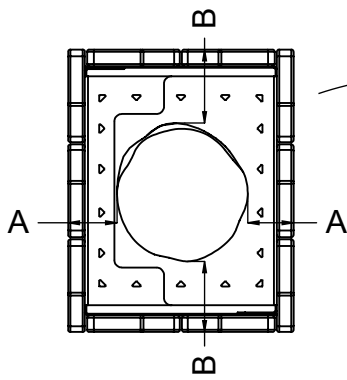


0,5h



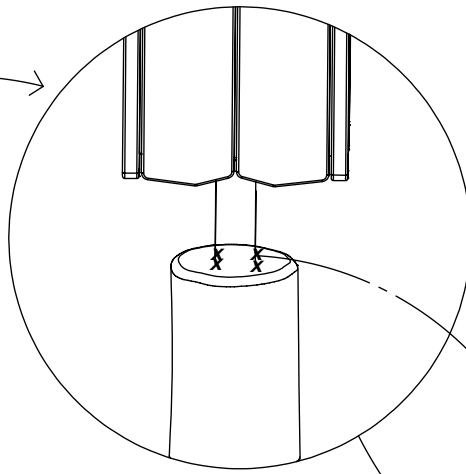
vinci
play



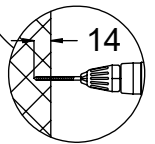
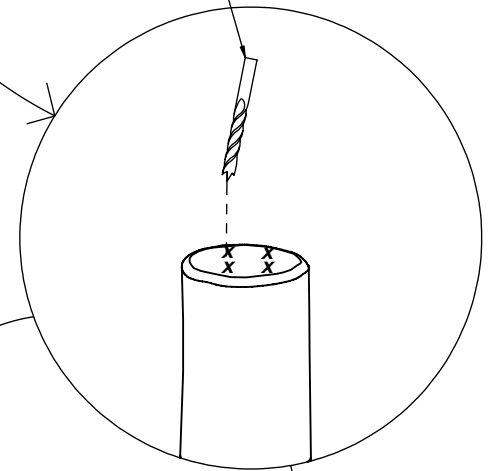


A=A

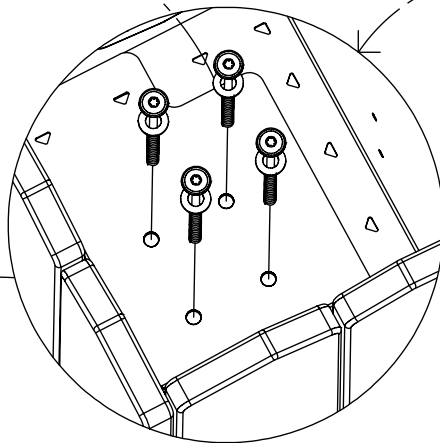
B=B



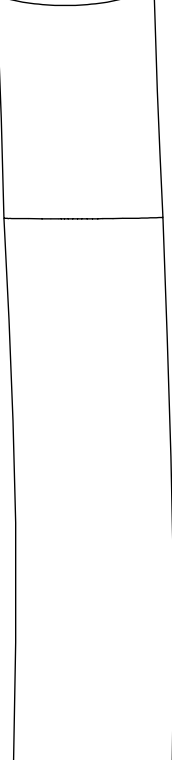
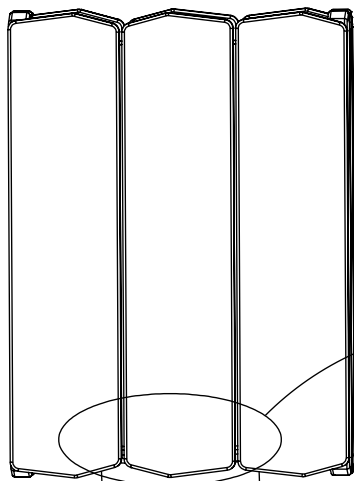
Ø 5,5mm



4x 10pp

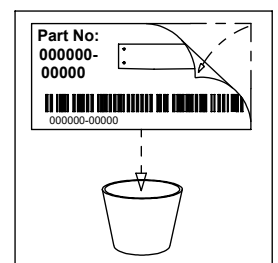
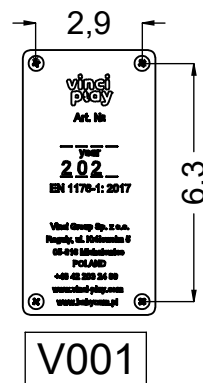
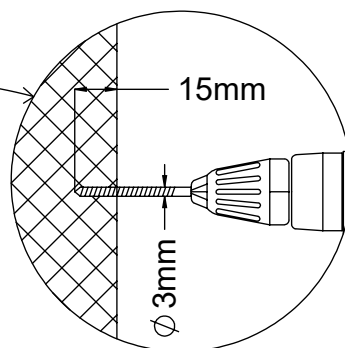
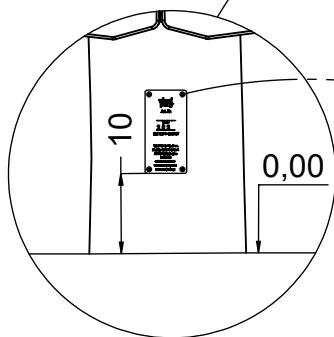
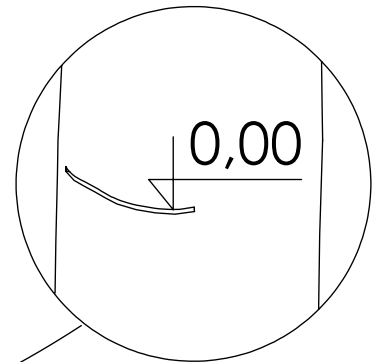
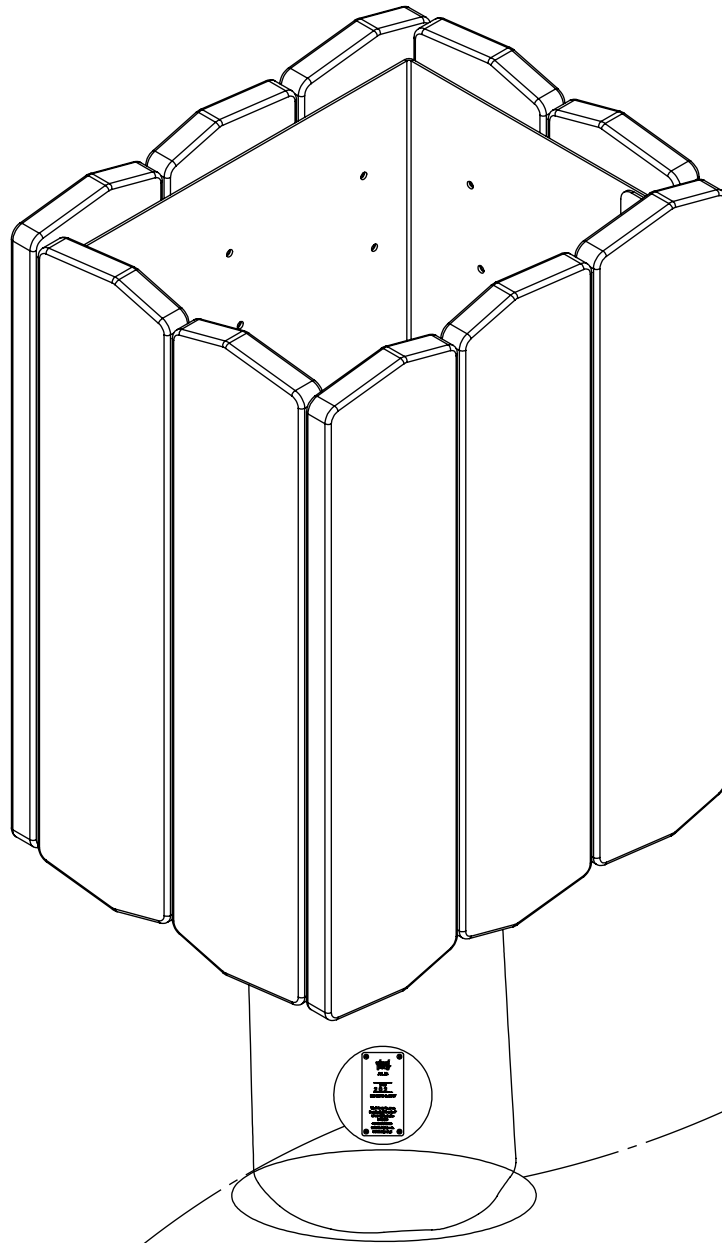


4x 8x160 sxt



[cm]

vinci
play



[cm]

vinci
play