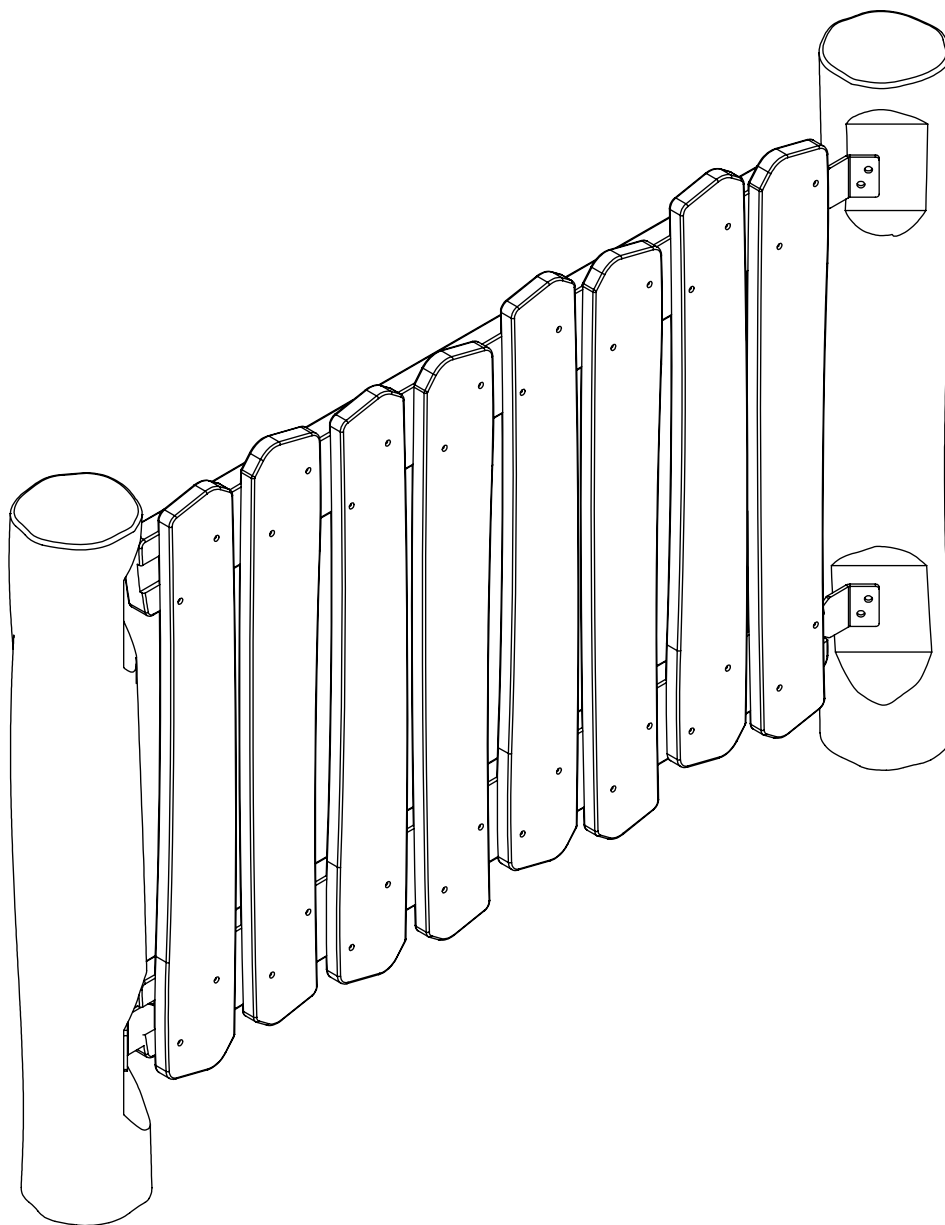
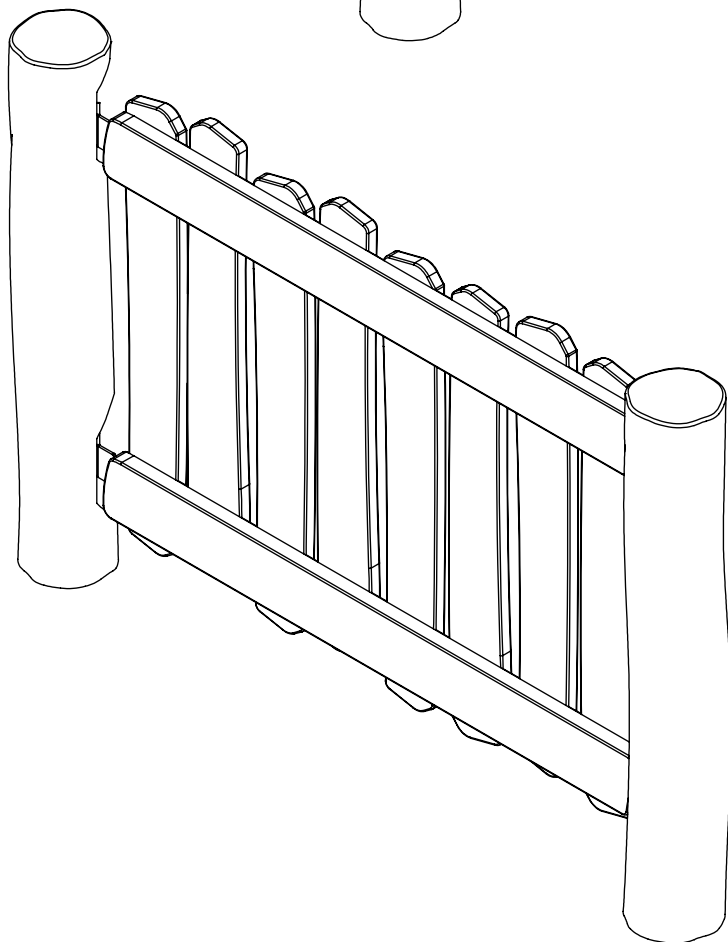
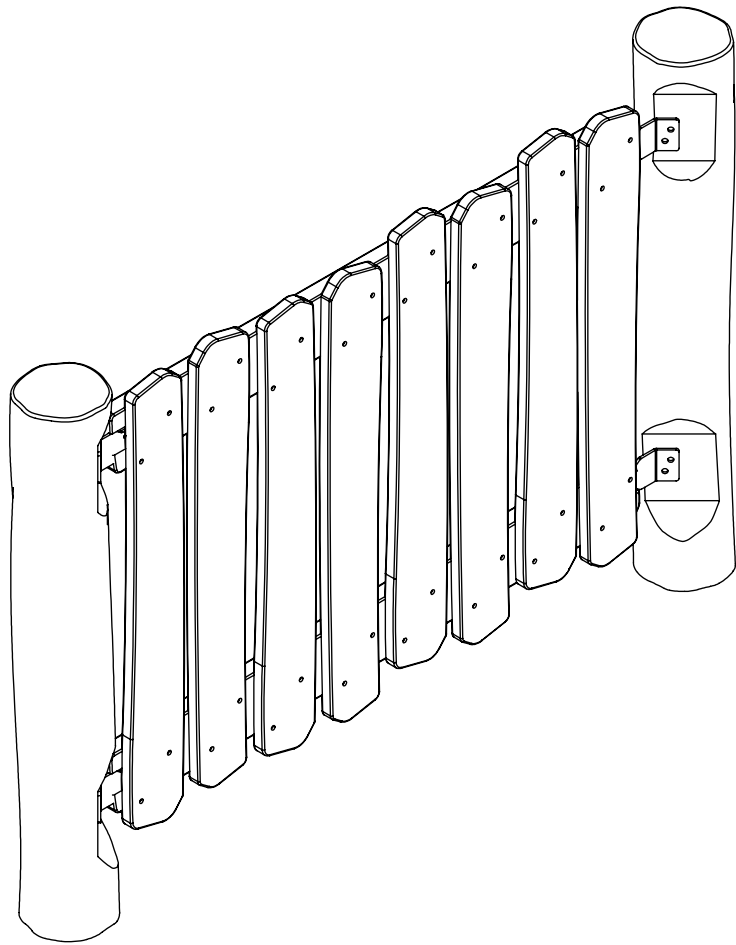


RB1397



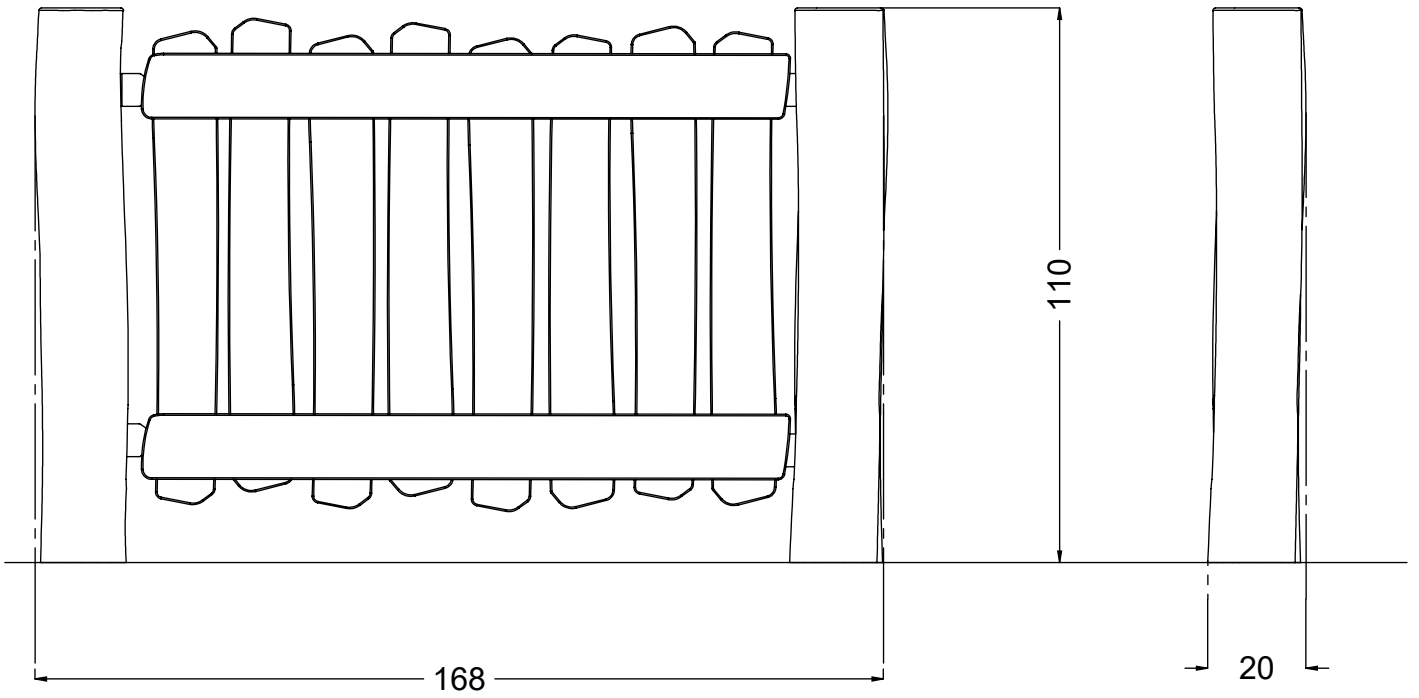
v011
13.05.2021
A. P.
[cm]

vinci
play



[cm]

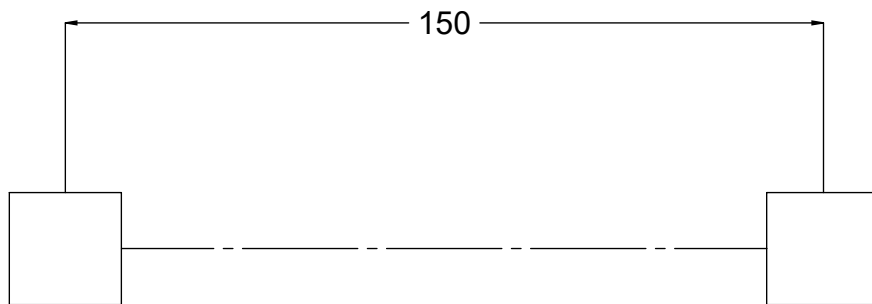
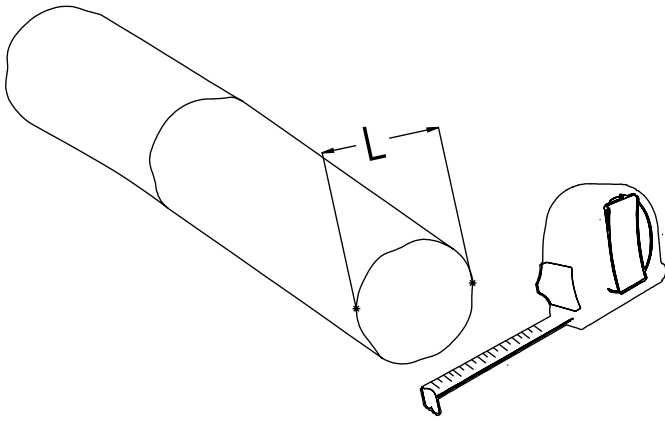
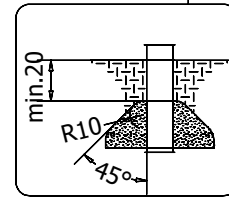
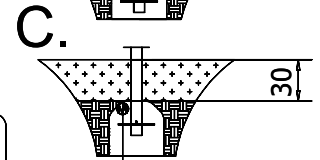
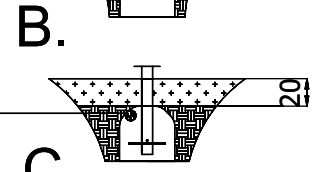
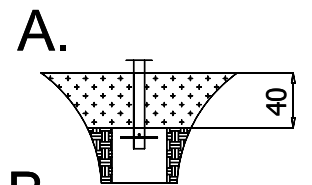
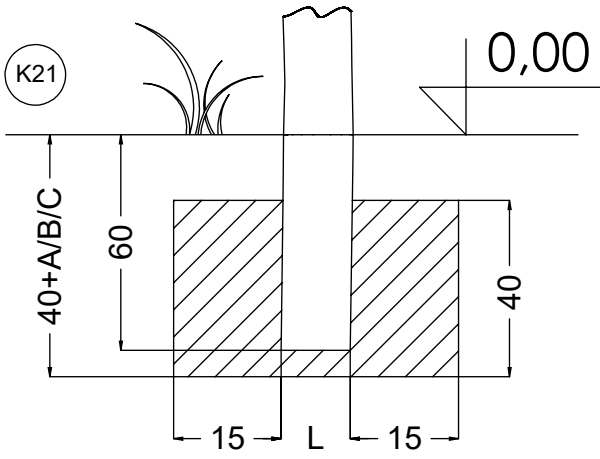
vinci
play



[cm]



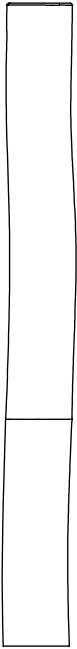
vinci
play



[cm]

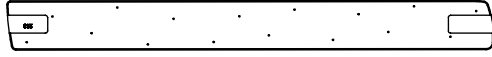


vinci
play



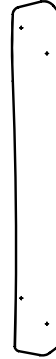
127437

x2



128213

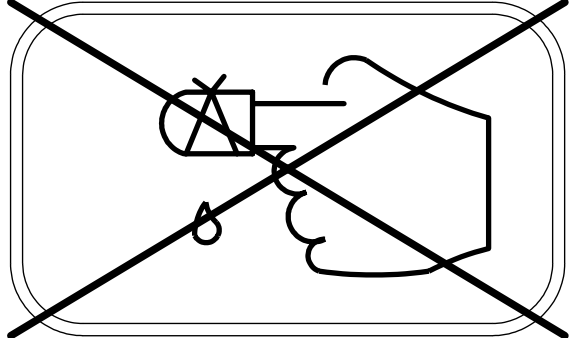
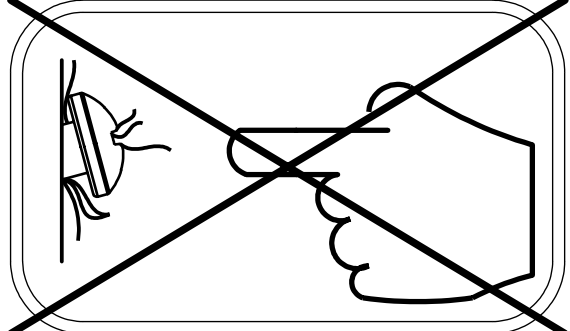
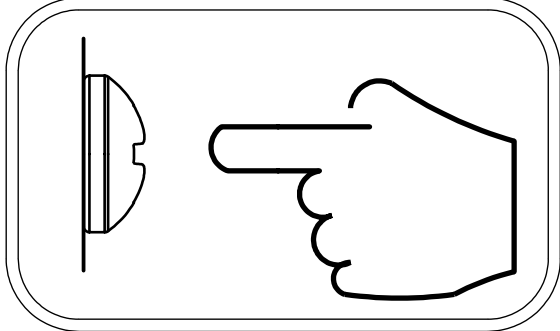
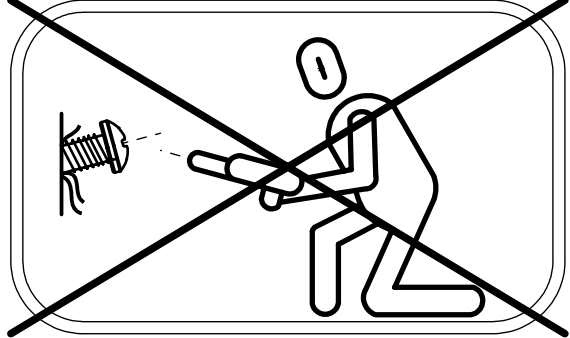
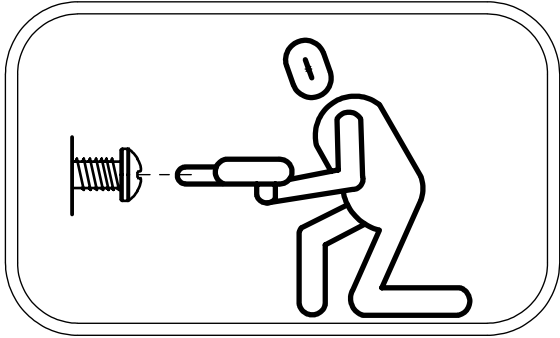
x2

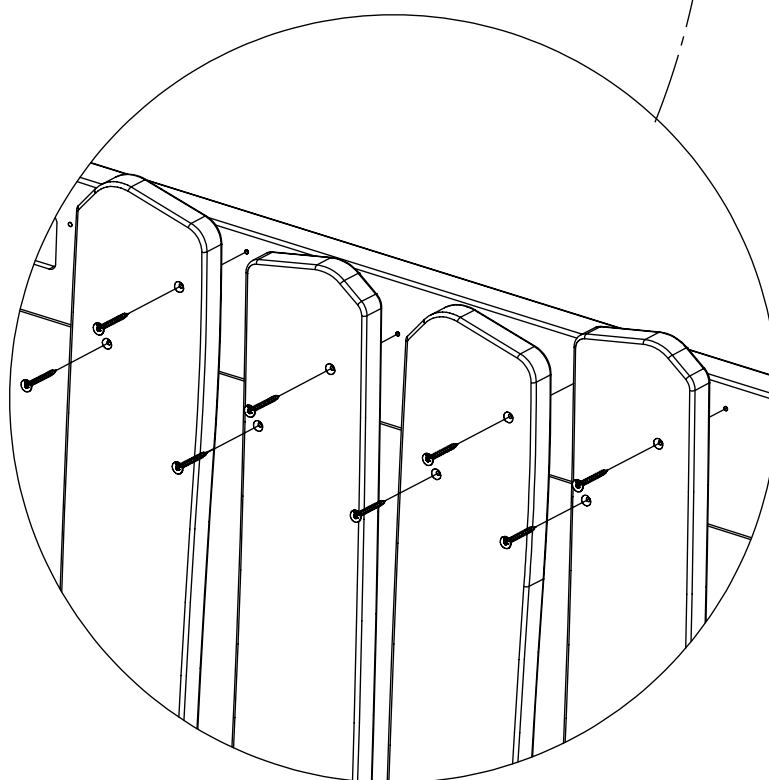
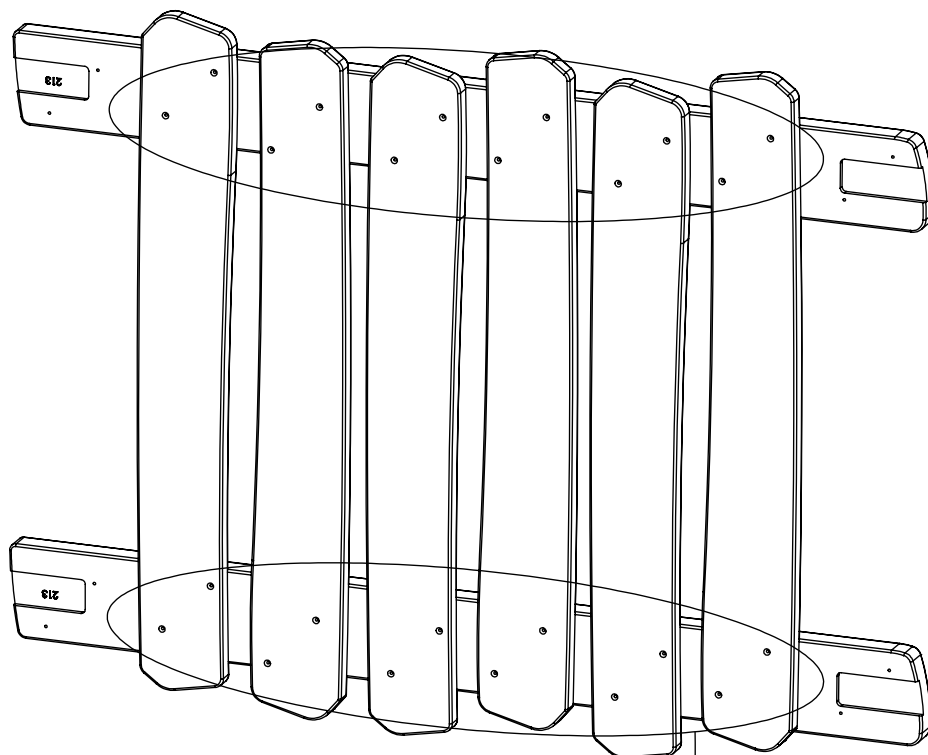


128202

x8

12x	5x30sxs
32x	5x50sxs
8x	8x50sxi
4x	b389

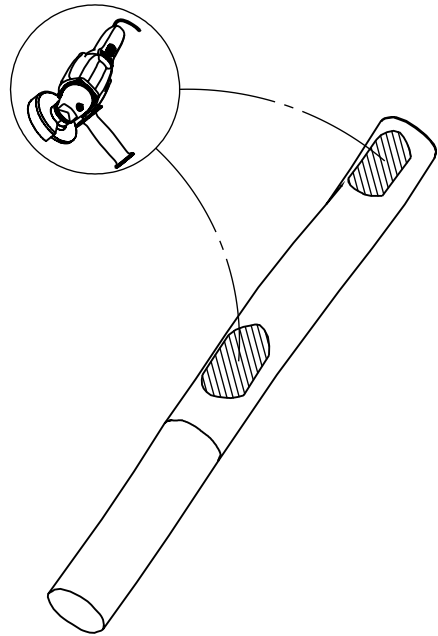
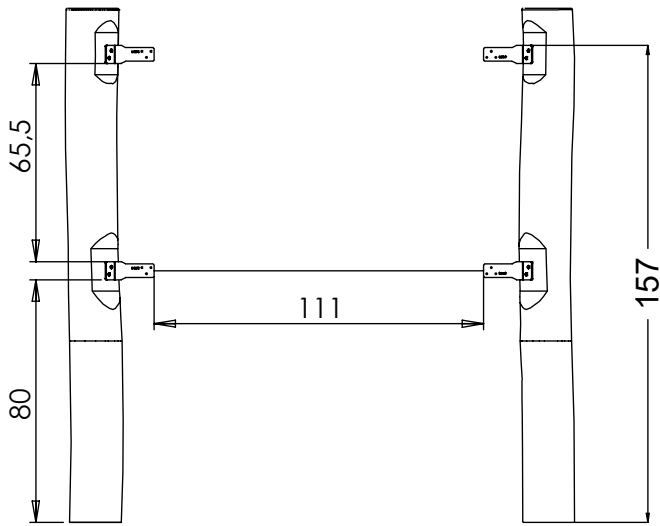




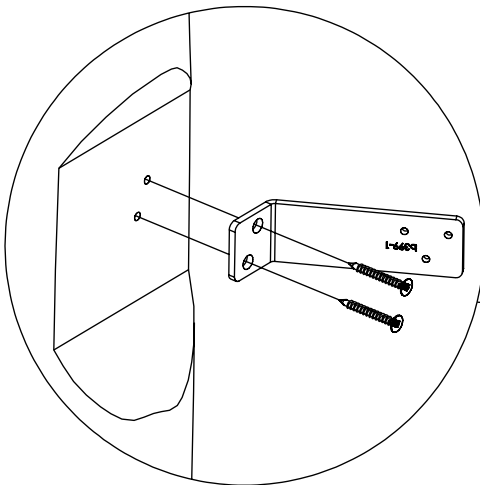
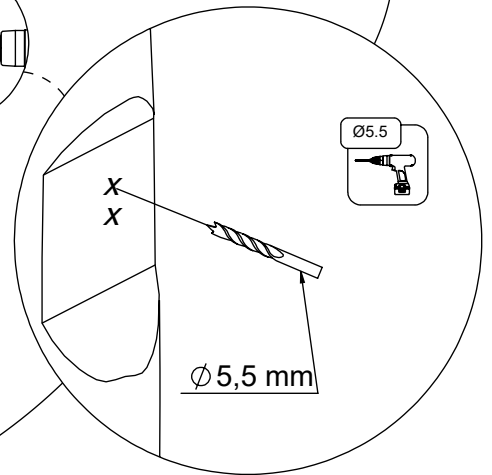
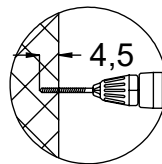
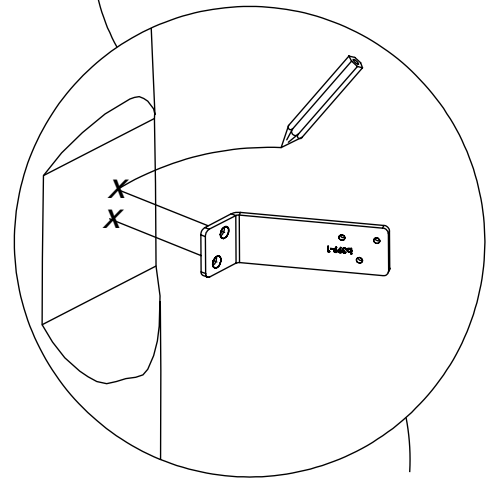
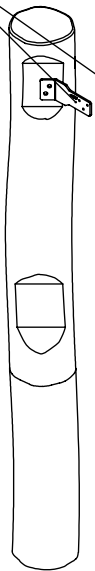
24x 5x50sxs

[cm]

vinci
play



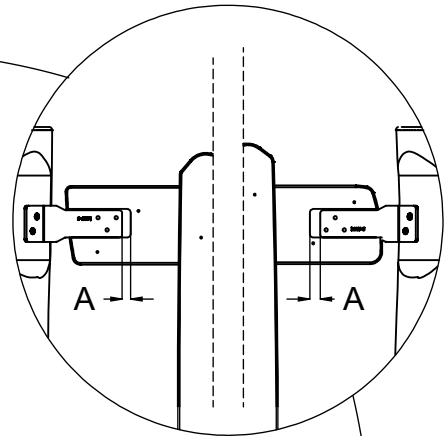
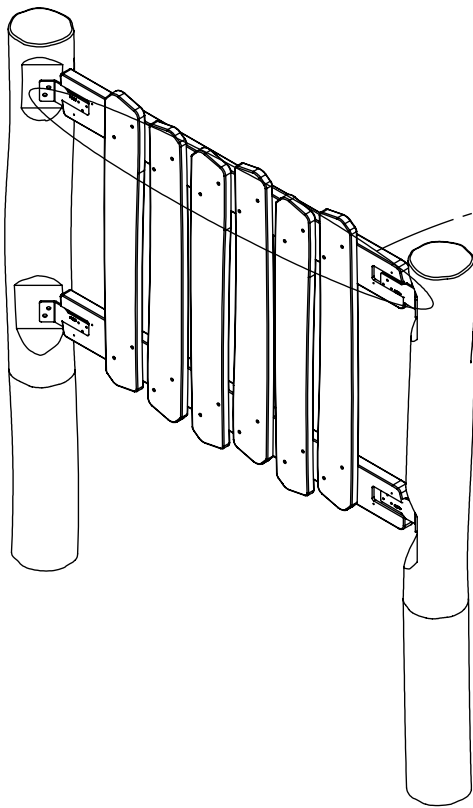
b389



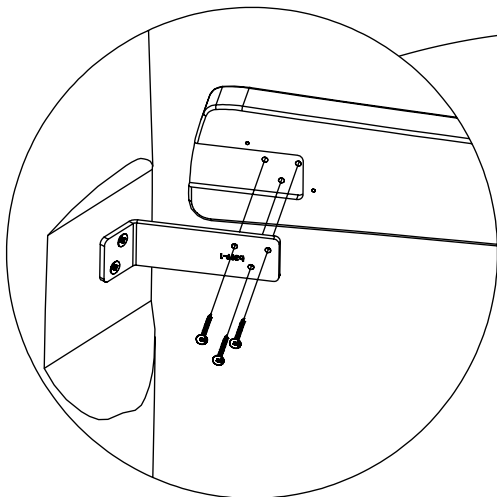
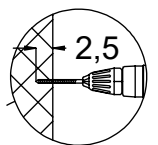
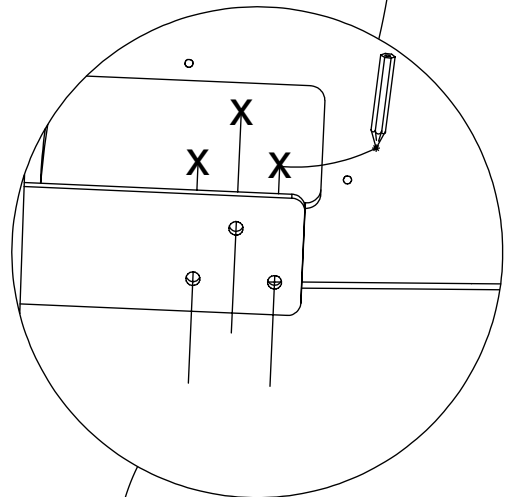
4x 8x50sxi

[cm]

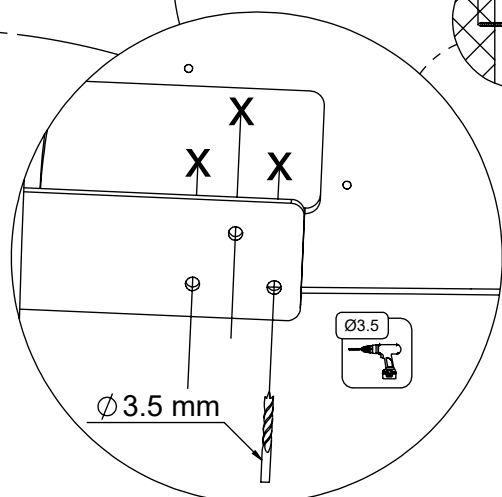
vinci
play



A=A



6x 5x30sxs

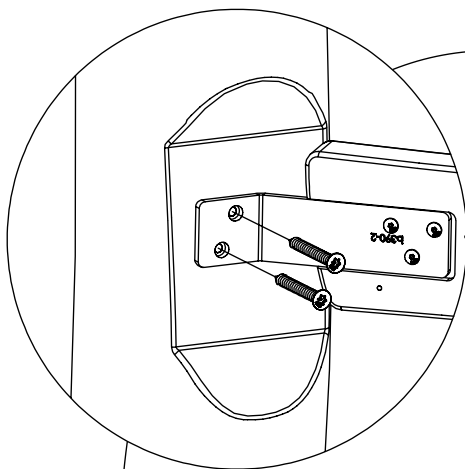
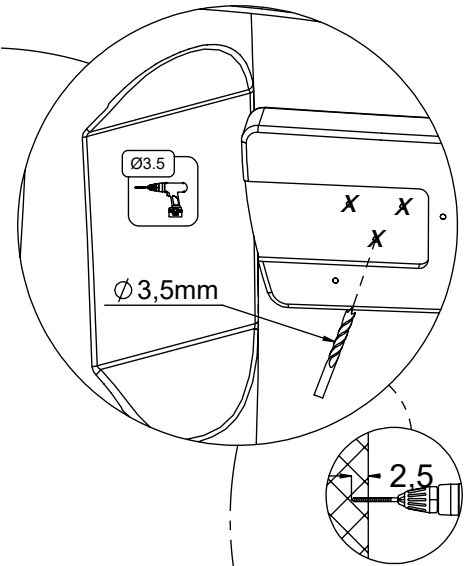
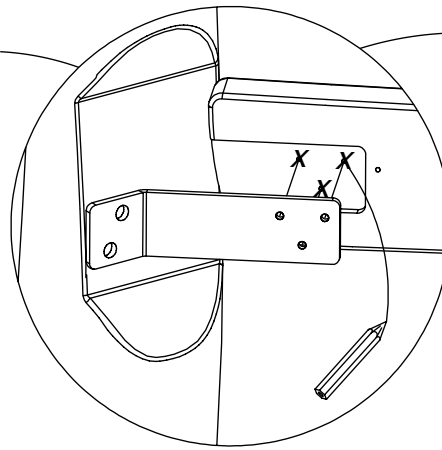
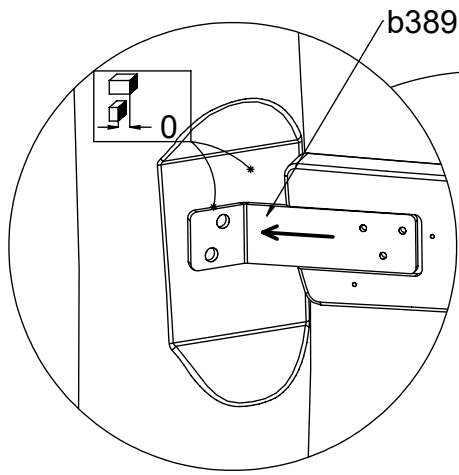


Ø 3.5 mm

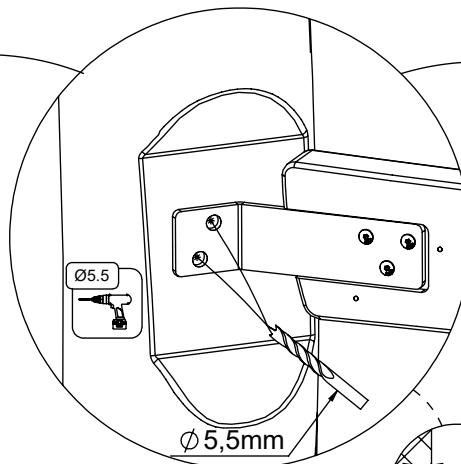
Ø 3.5

[cm]

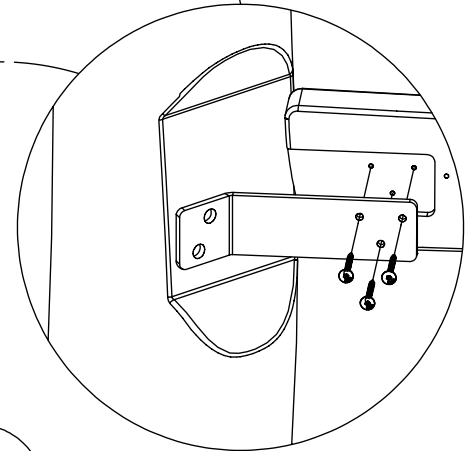
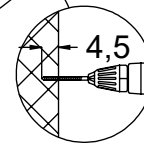
vinci
play



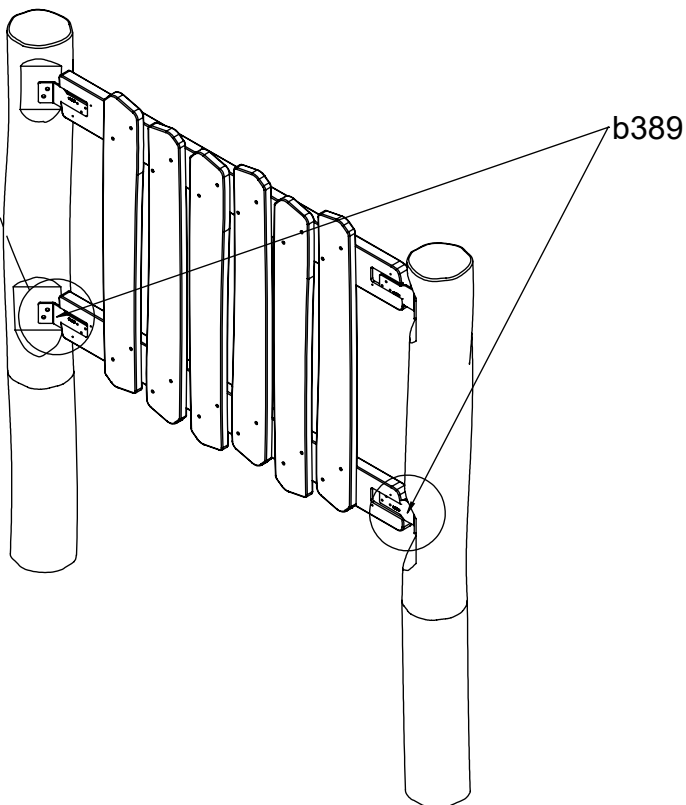
4x 8x50sxi



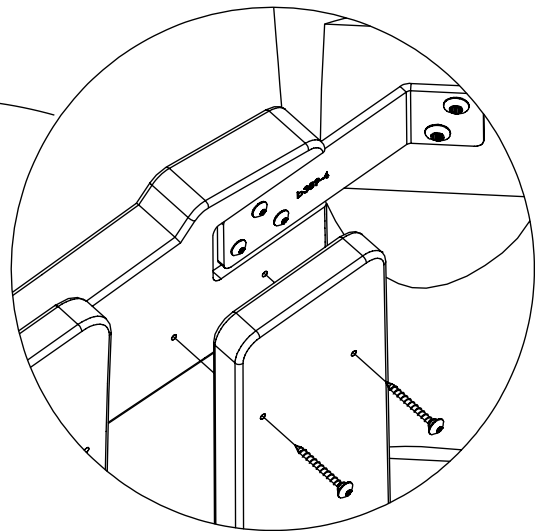
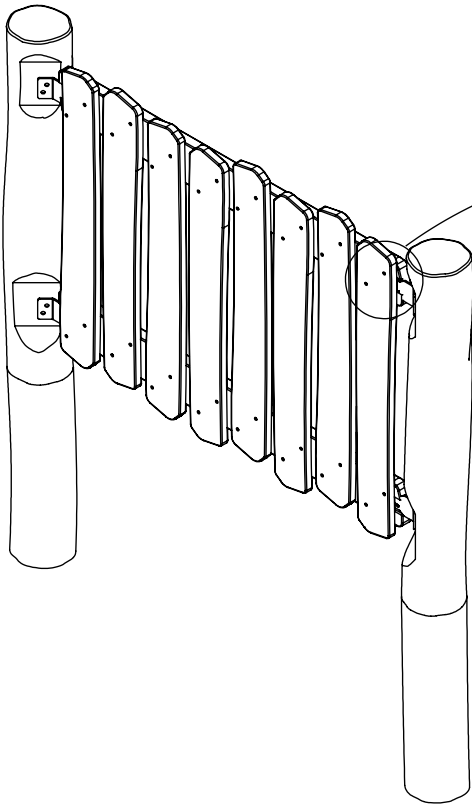
Ø 5,5mm



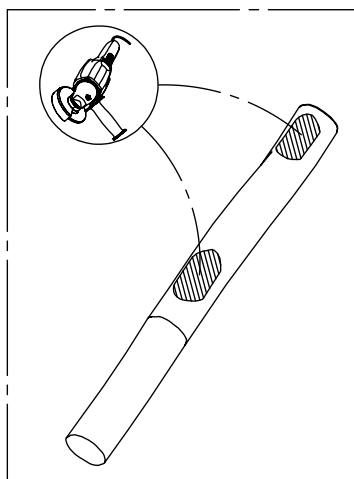
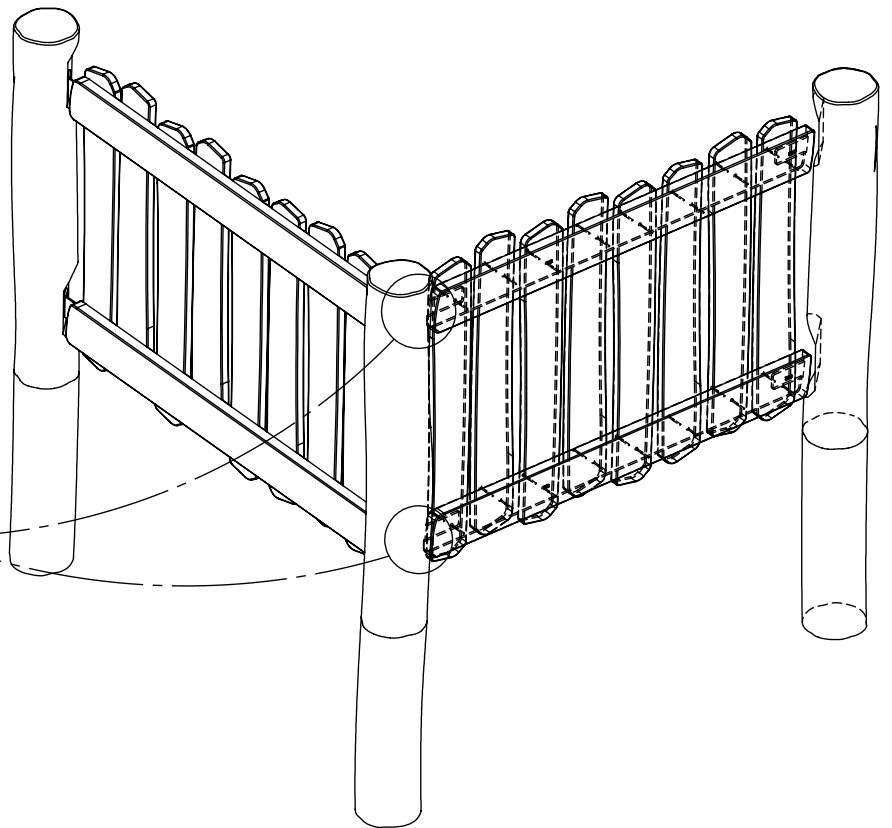
6x 5x30sxs



b389

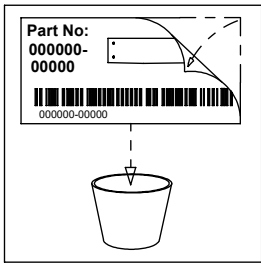
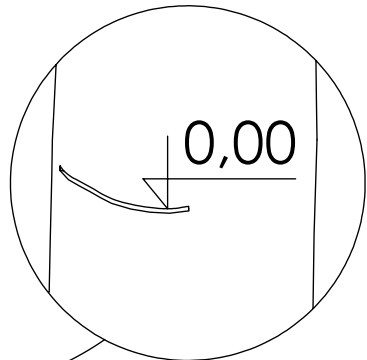
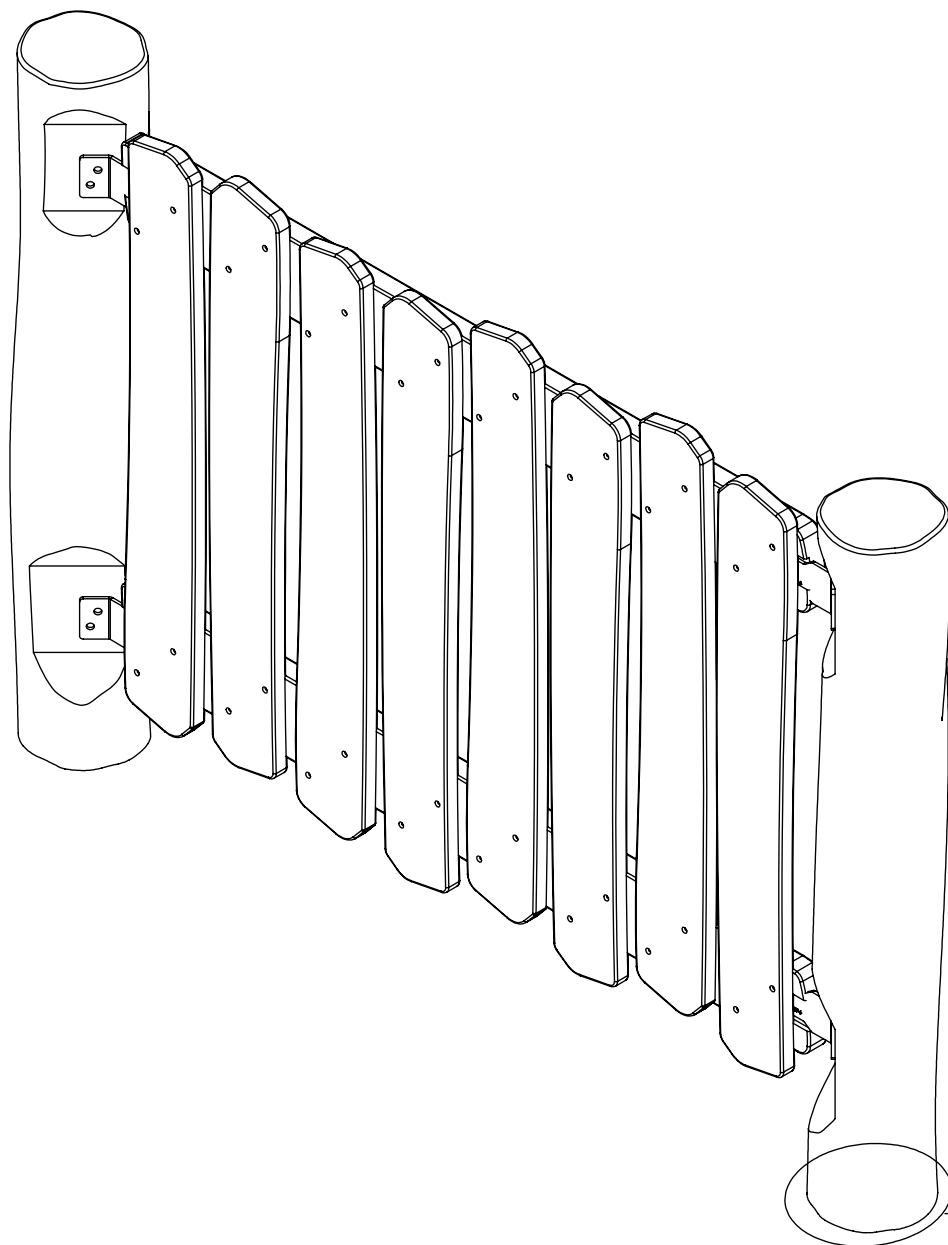


8x 5x50sxs



[cm]

vinci
play



[cm]

vinci
play