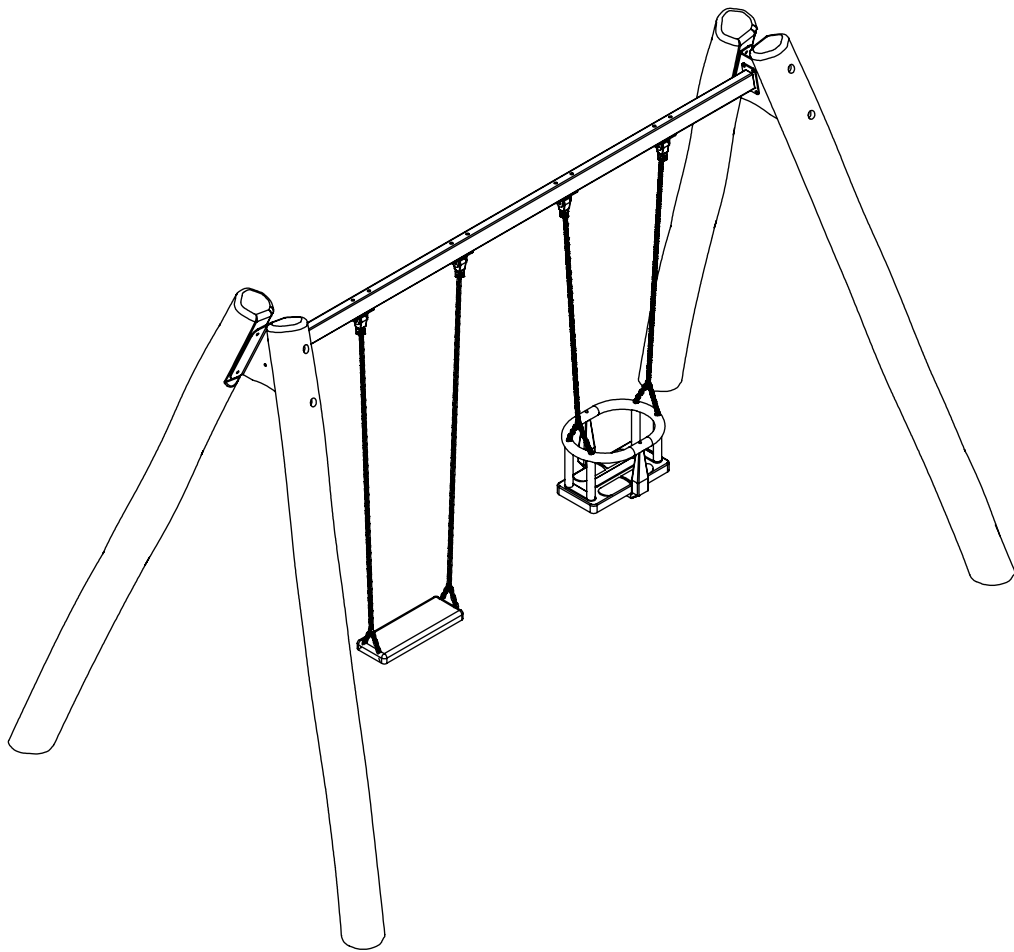
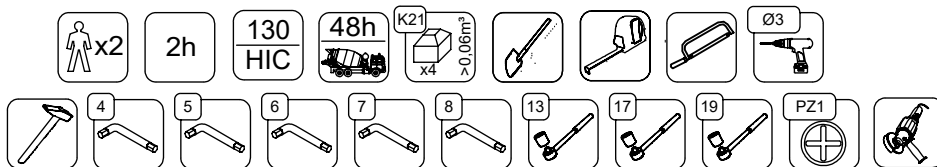


RB1422

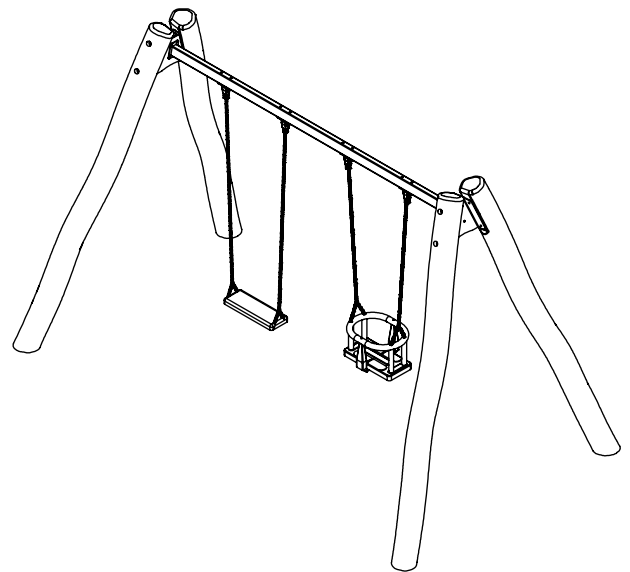
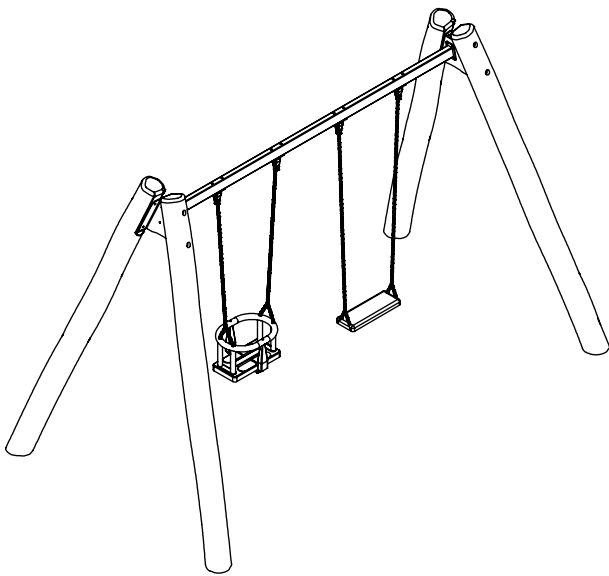
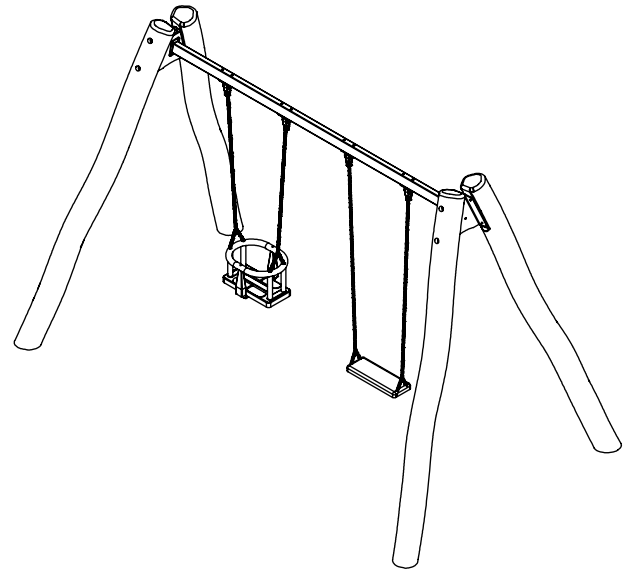
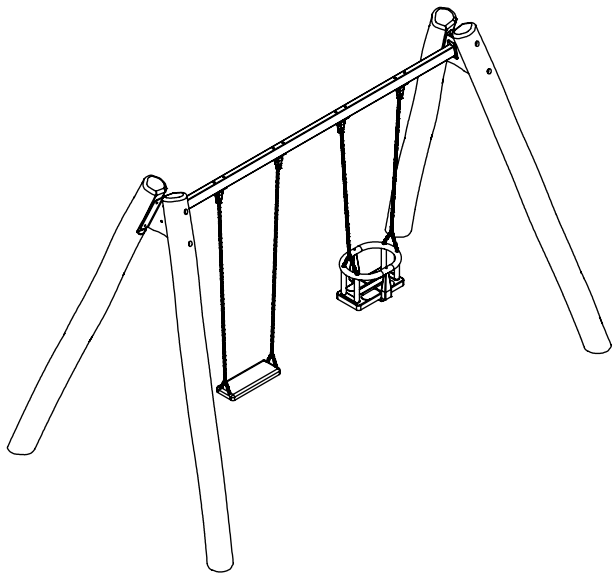


v010
05.02.2021
A.P.

[cm]

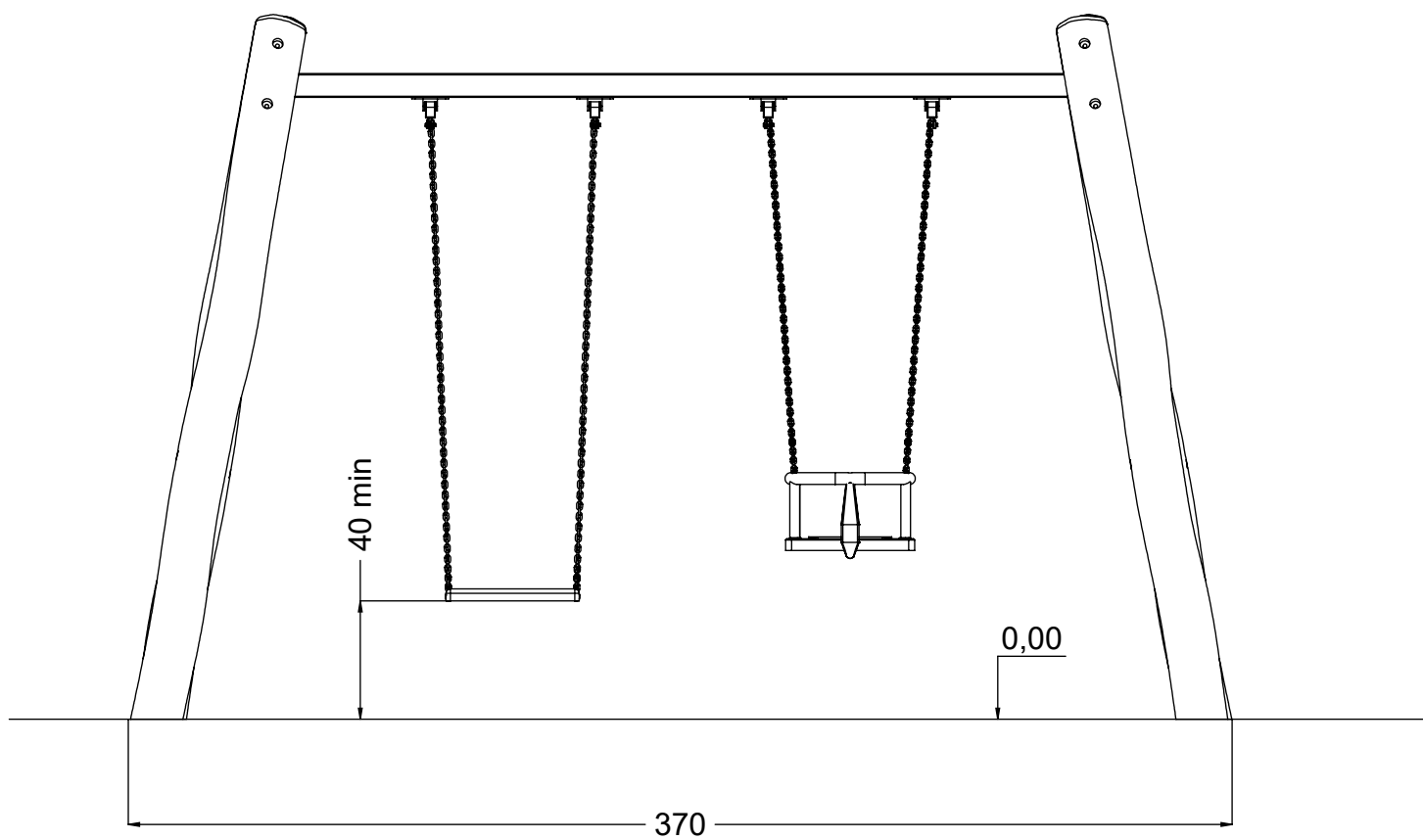
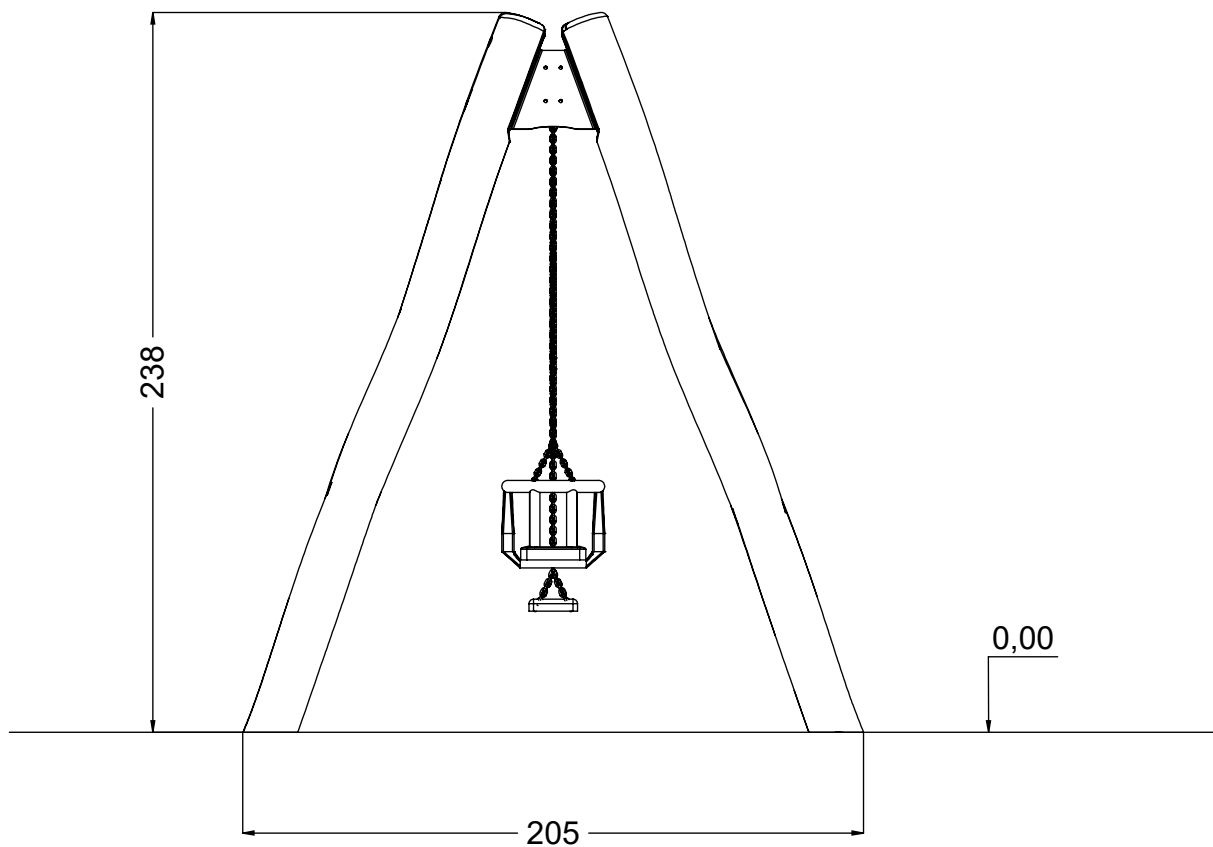


vinci
play



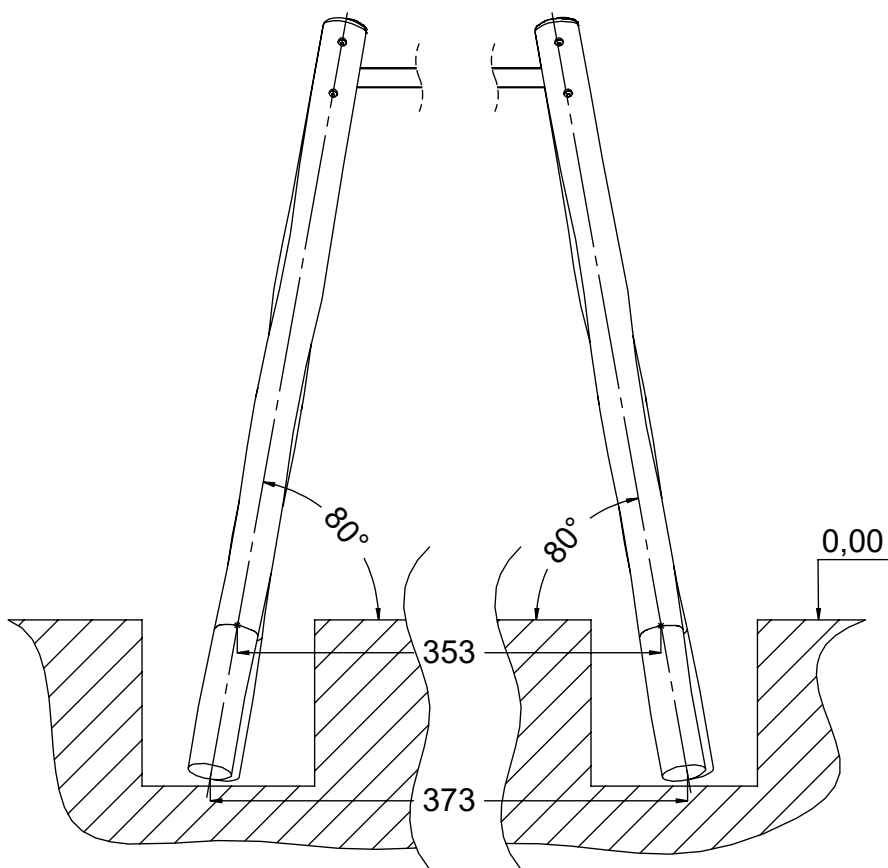
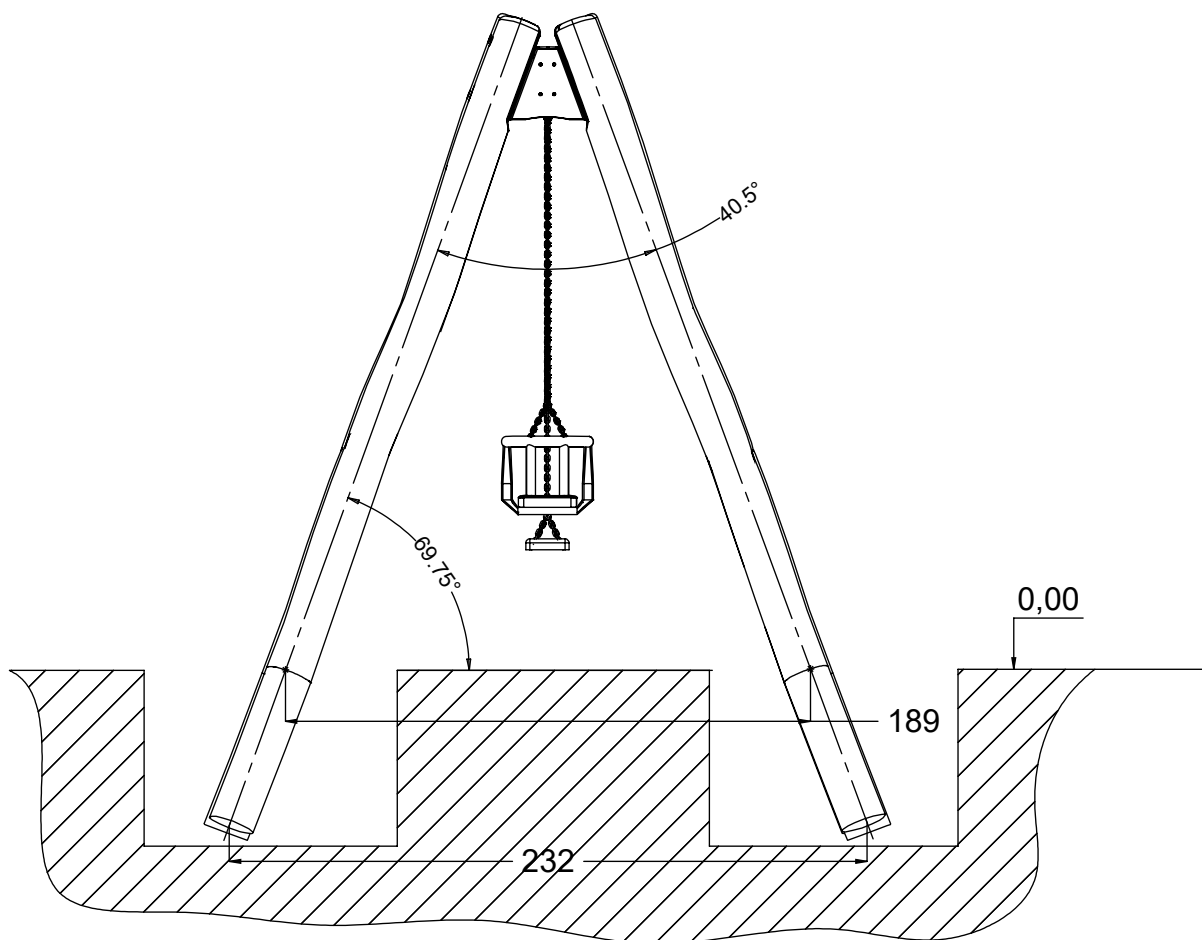
[cm]

vinci
play



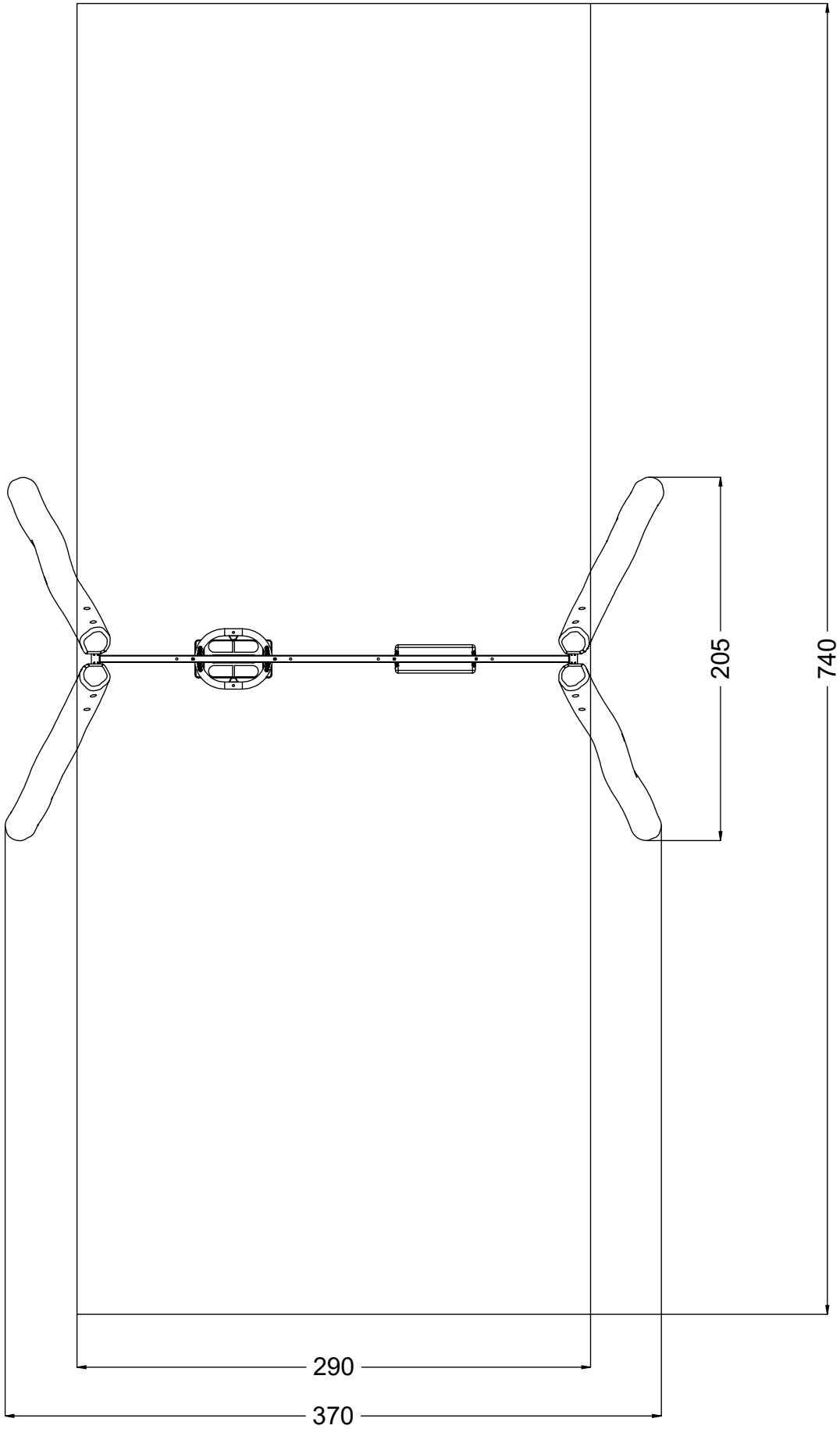
[cm]

vinci
play



[cm]

vinci
play

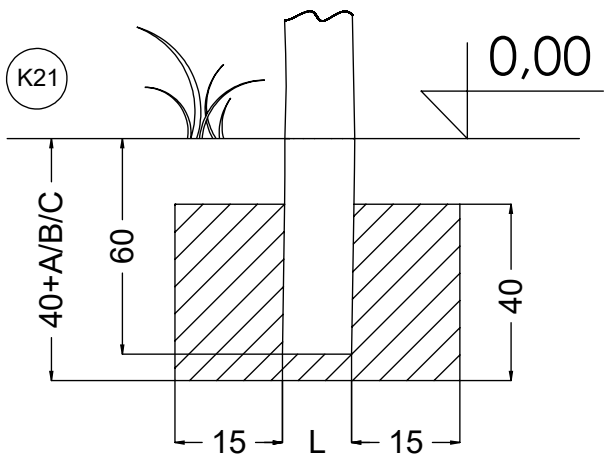


[cm]

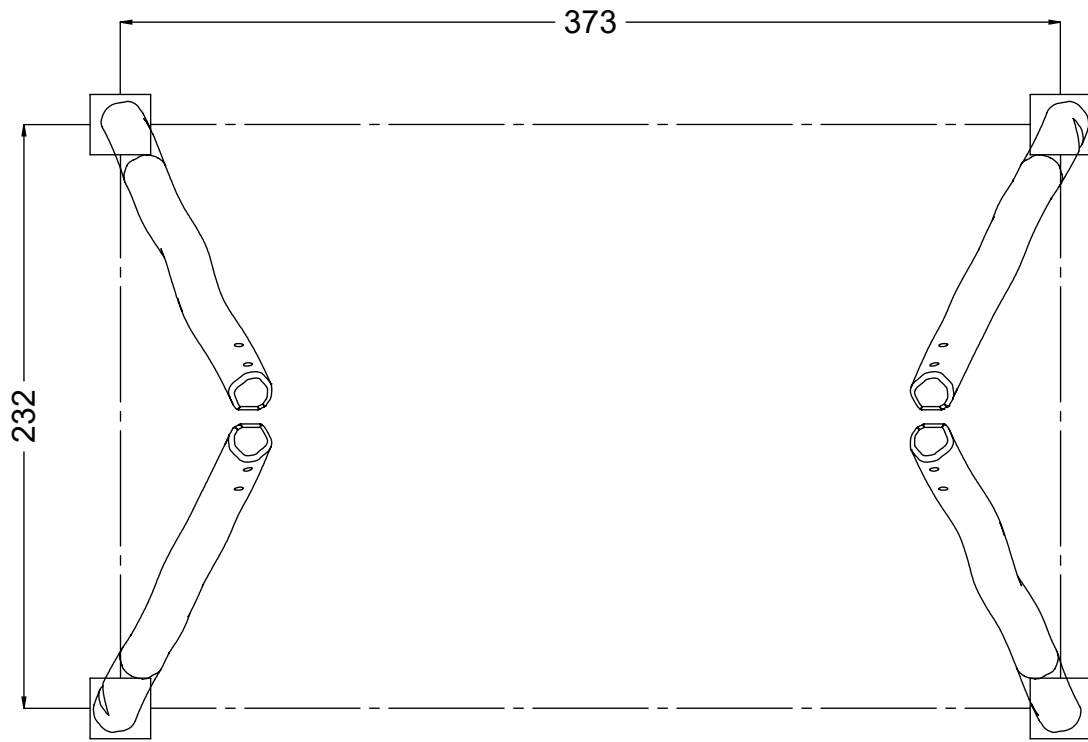
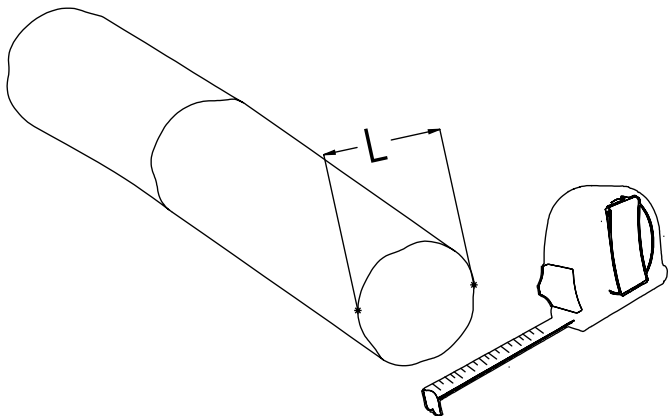
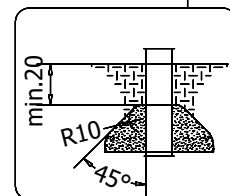
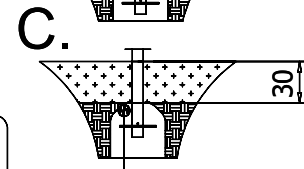
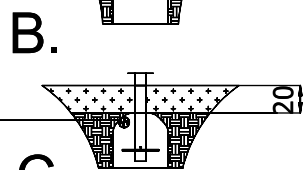
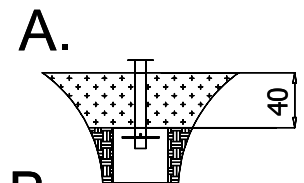


vinci
play

K21



48h



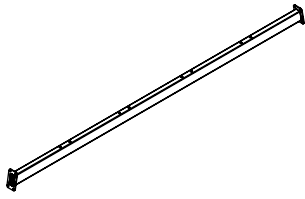
[cm]

x2
 2h
 48h
 K21
 >0,06m³
 x4

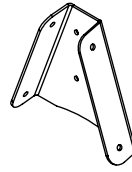
vinci play



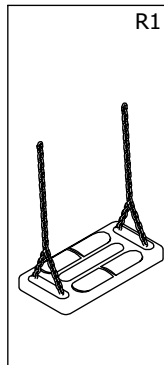
127116
x4



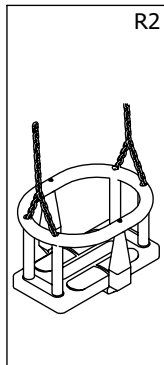
052128
x1



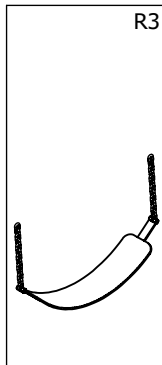
b66-5
x2



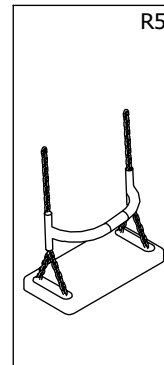
R1



R2

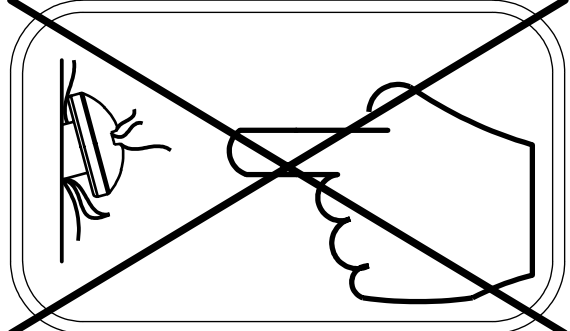
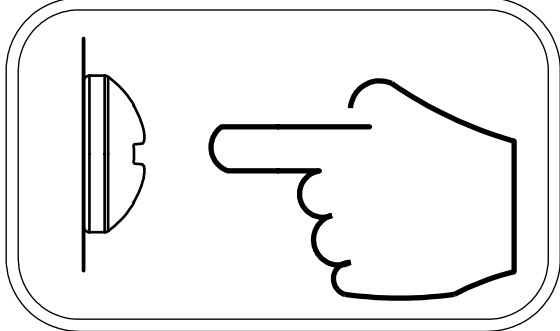
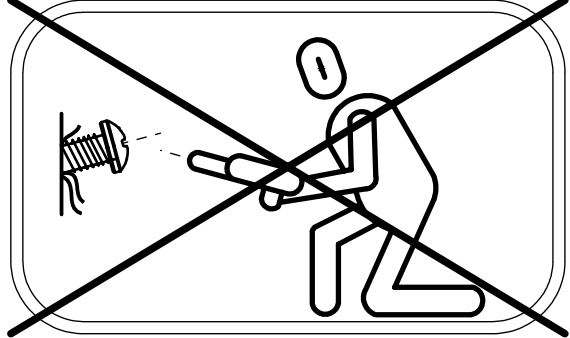


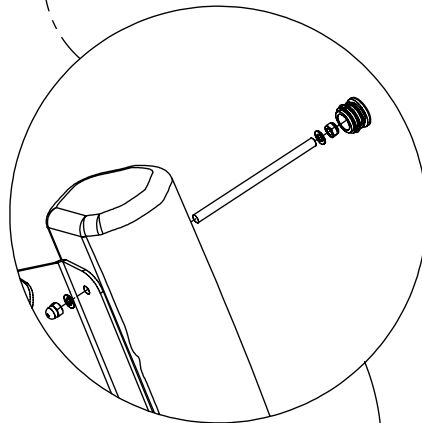
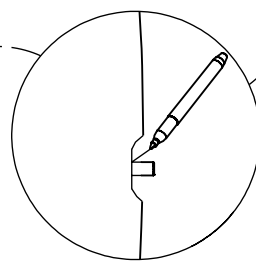
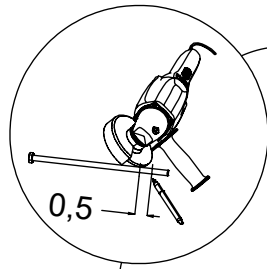
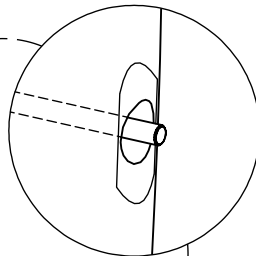
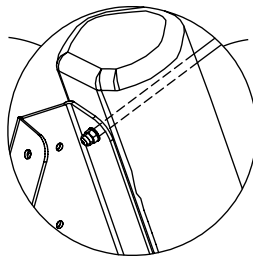
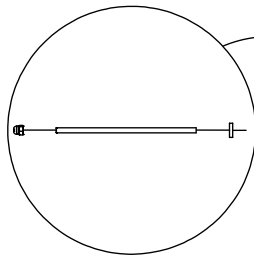
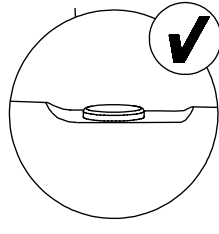
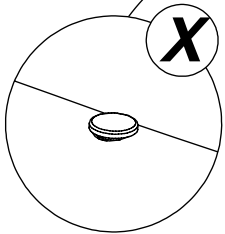
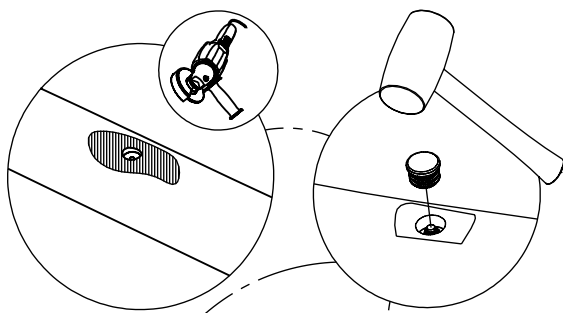
R3



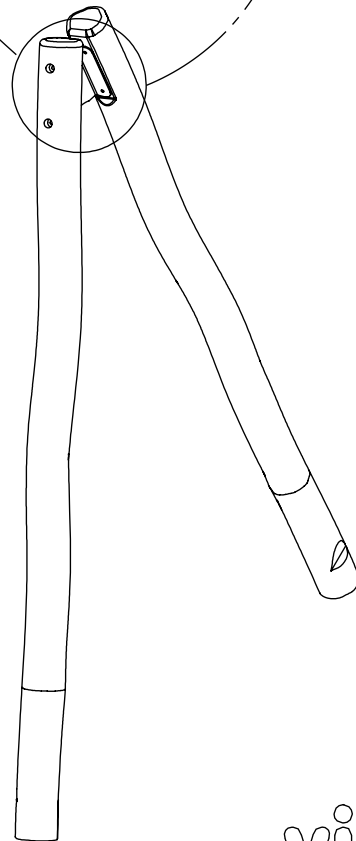
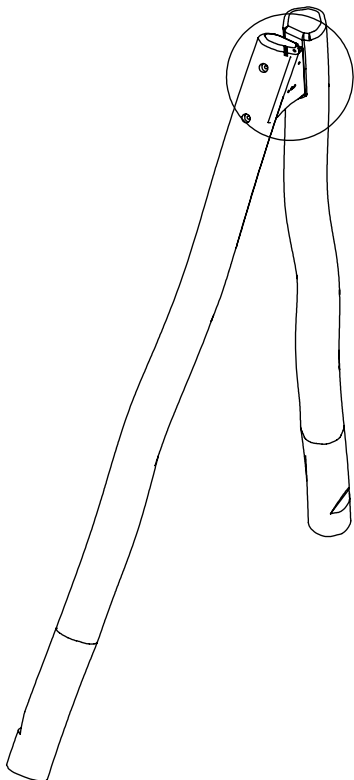
R5

1x	E60
2x	E62
1x	E164 R1,R5
1x	E165 R2
1x	E168 R3
2x	12e017
1x	V001



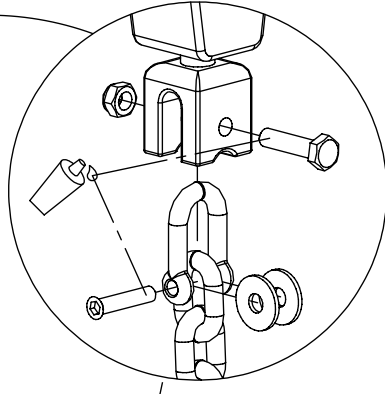
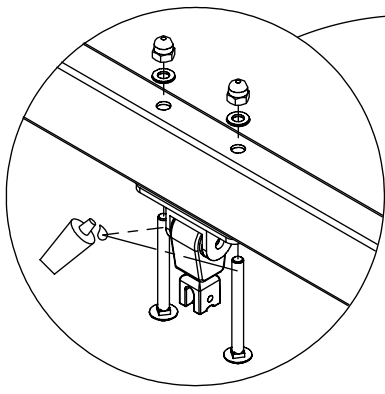


2x 12e017

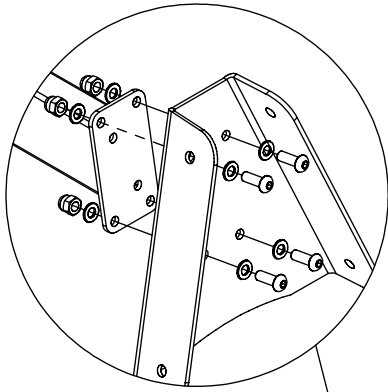


[cm]

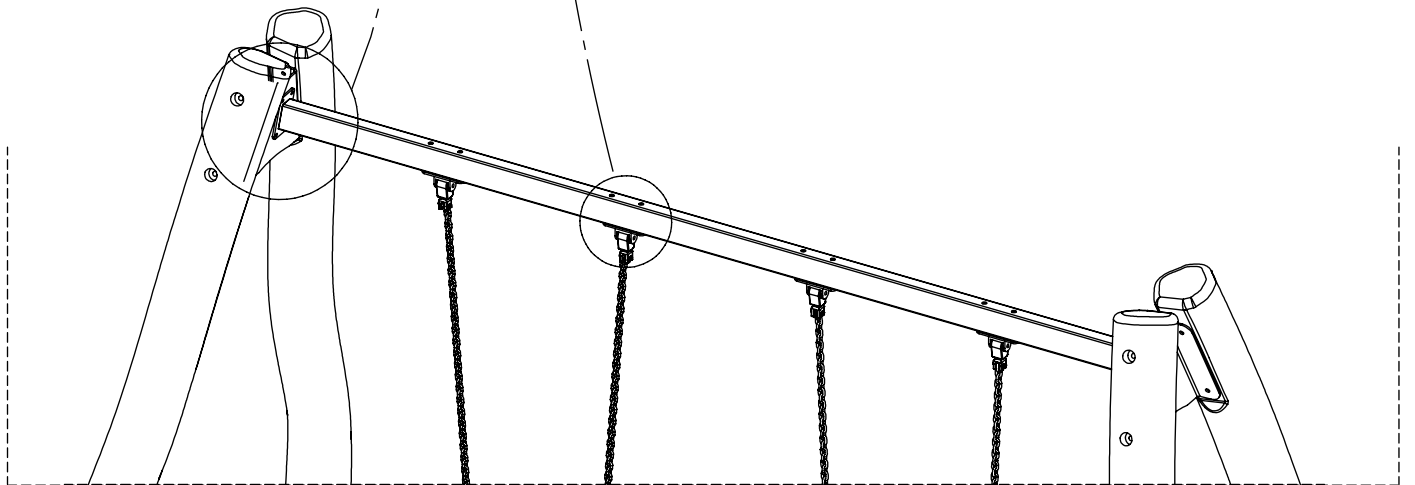
vinci
play



2x E62



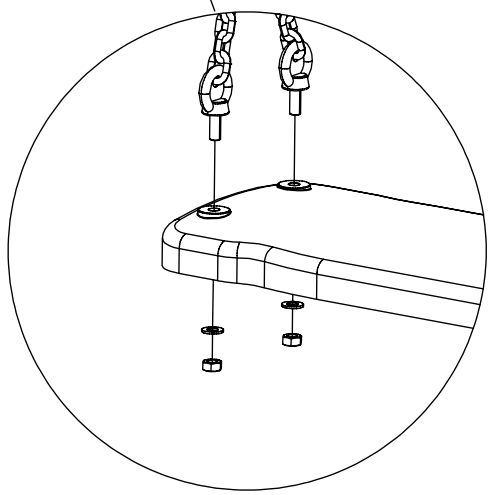
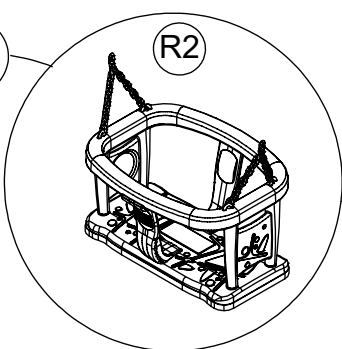
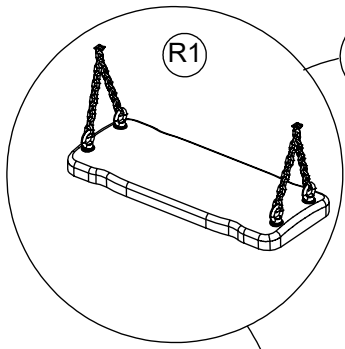
1x E60



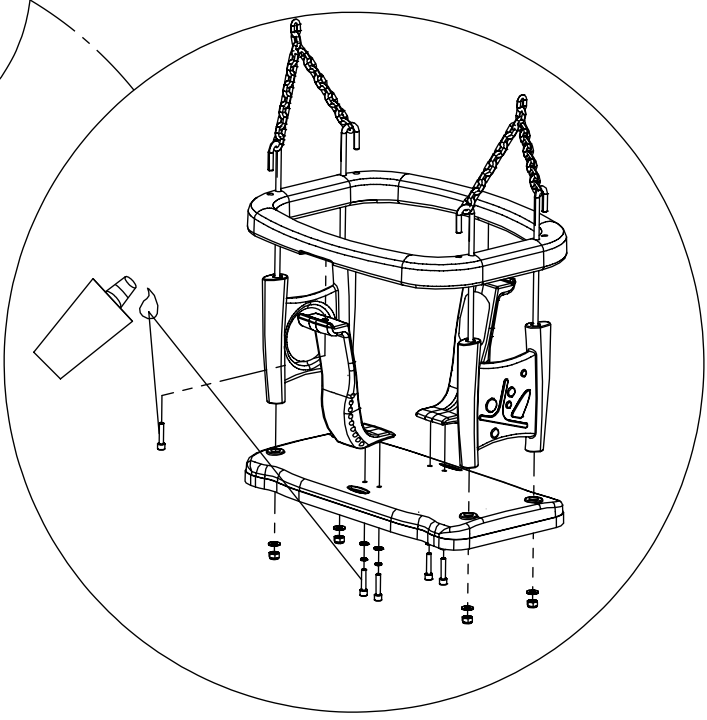
[cm]



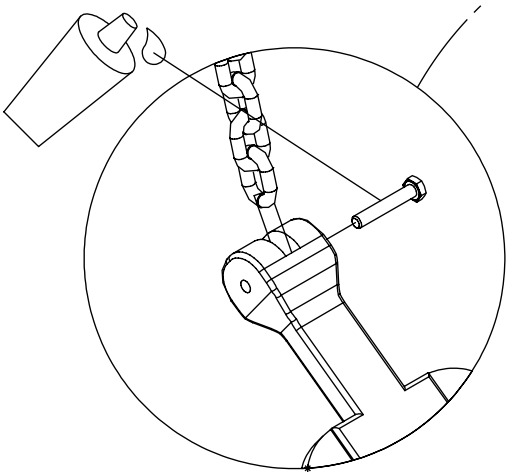
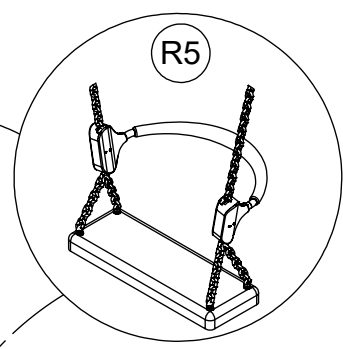
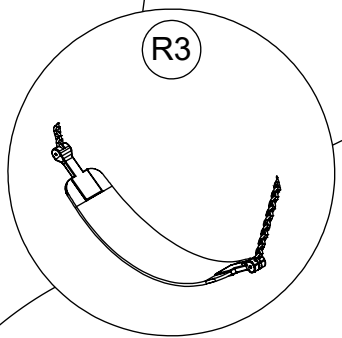
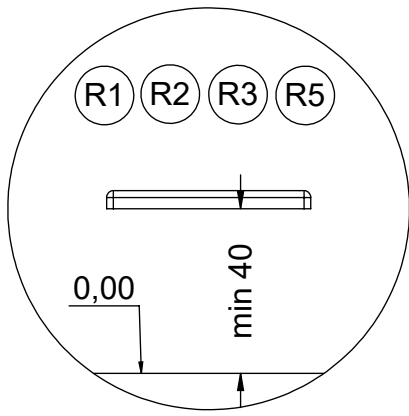
vinci
play



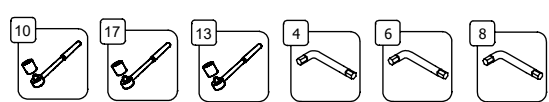
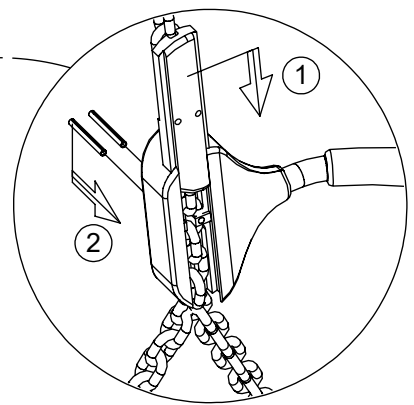
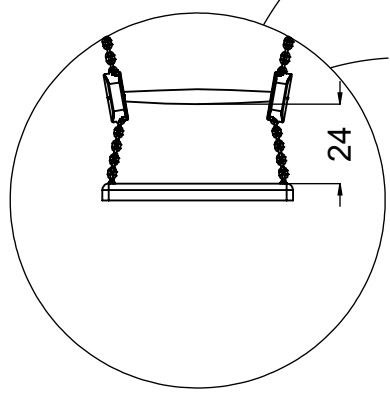
1x E164



1x E165

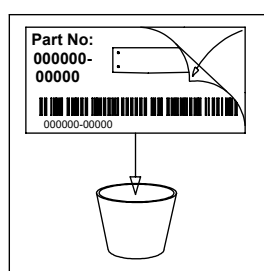
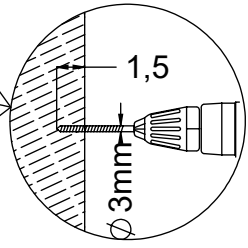
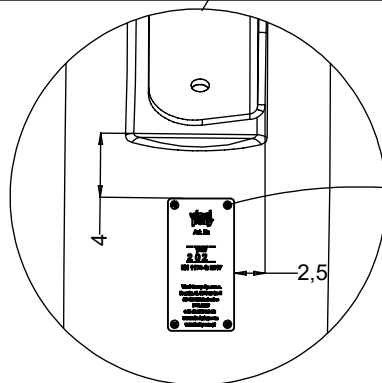
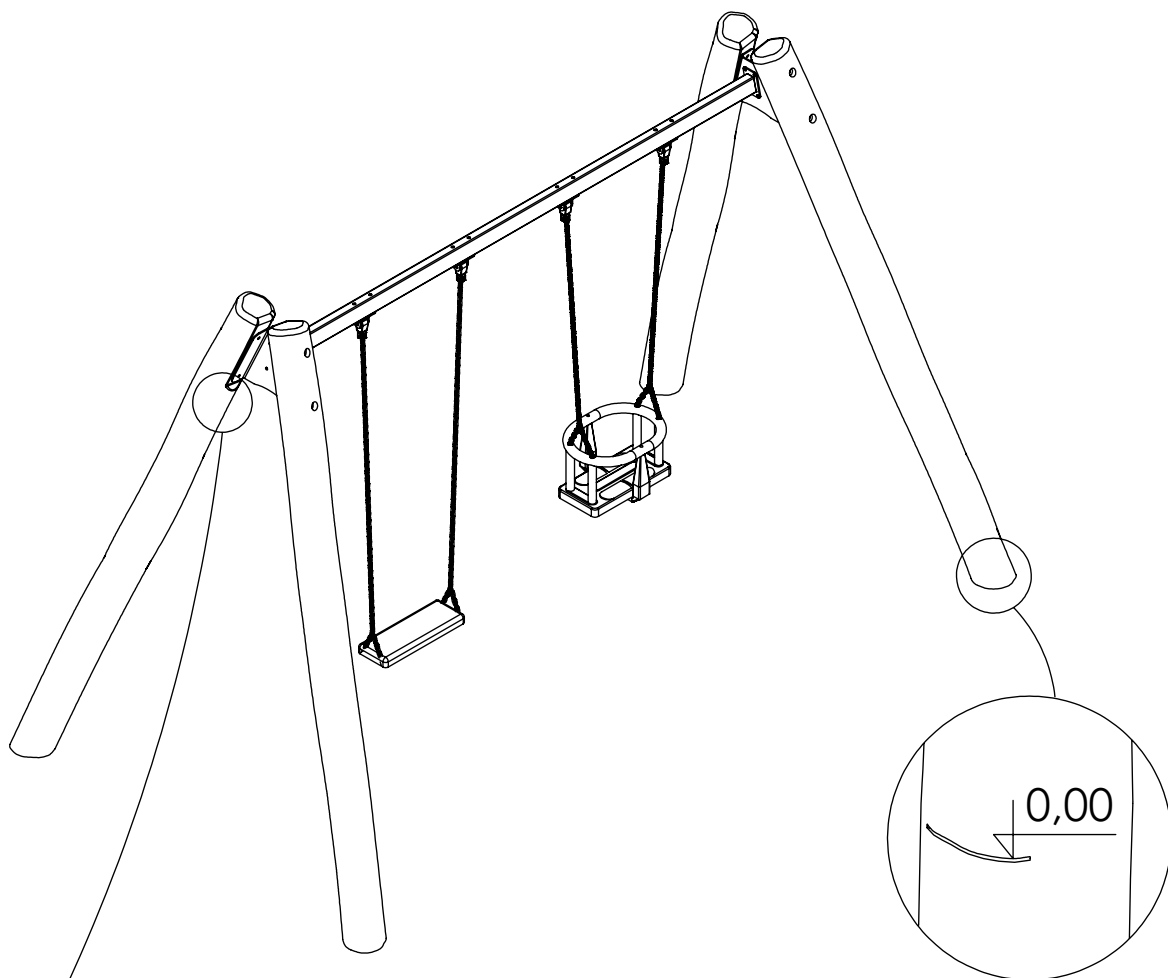


1x E168



[cm]

vinci play



[cm]



vinci play