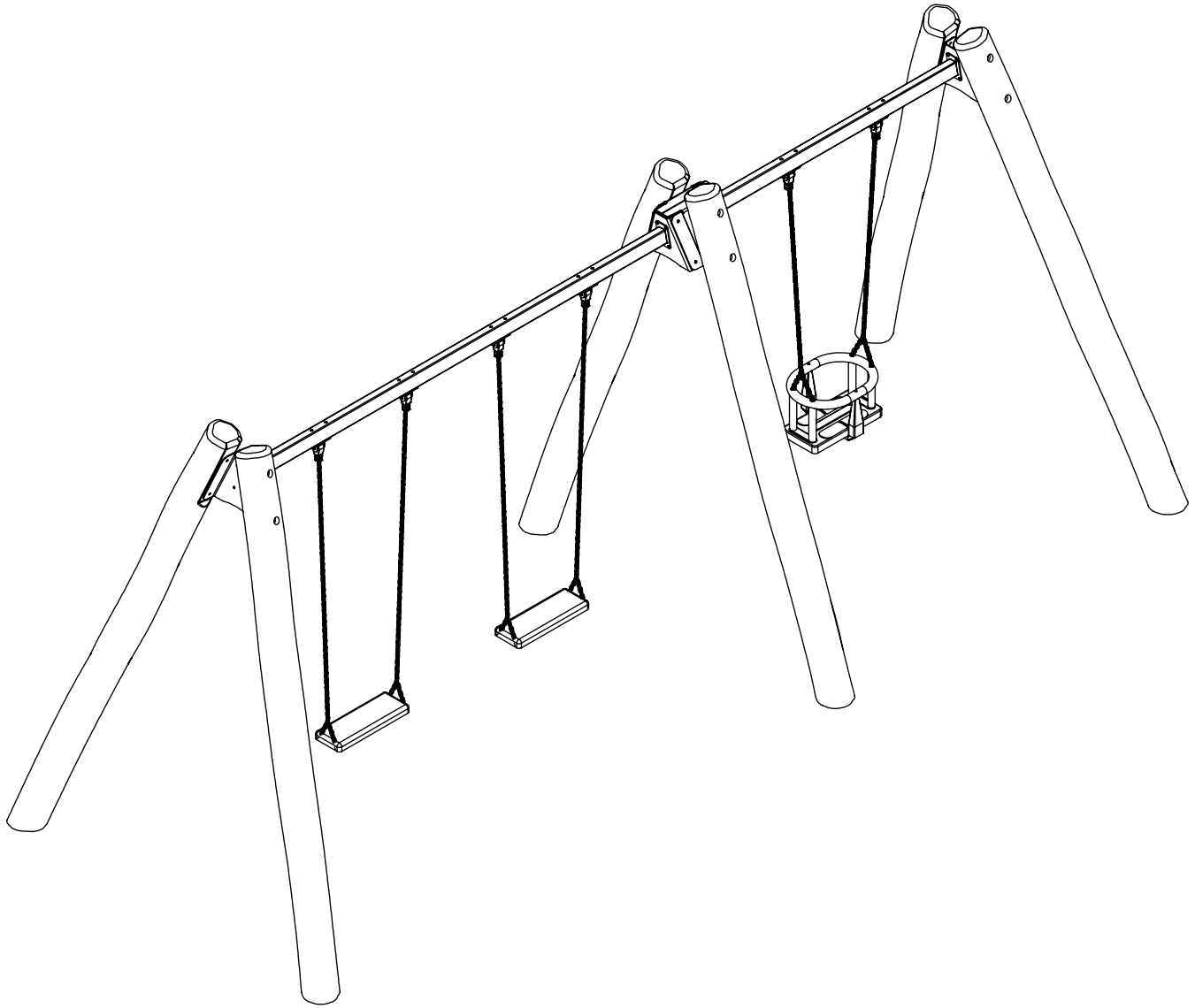
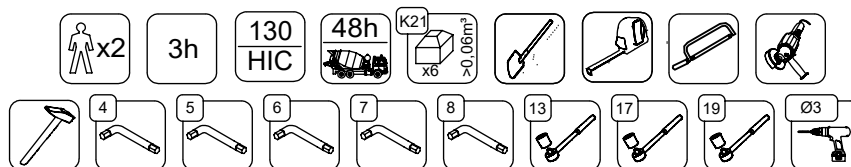


# RB1491

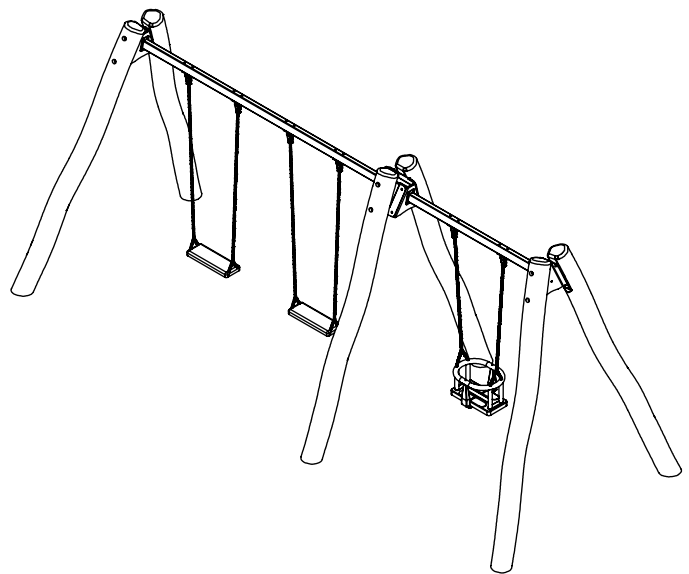
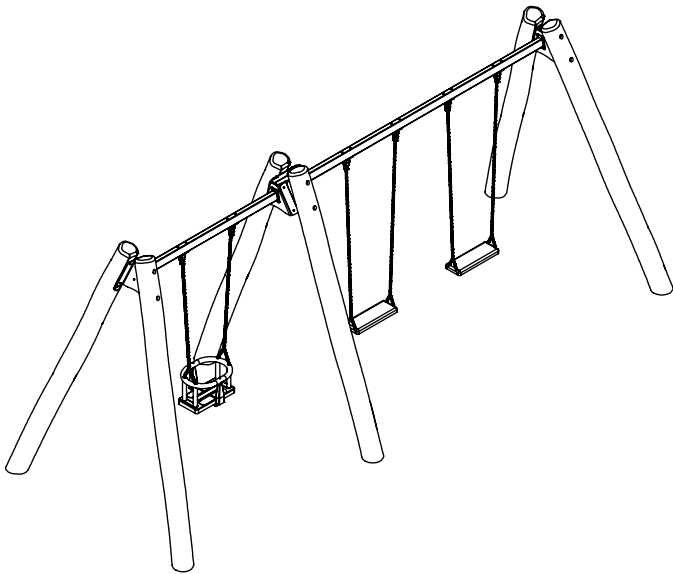
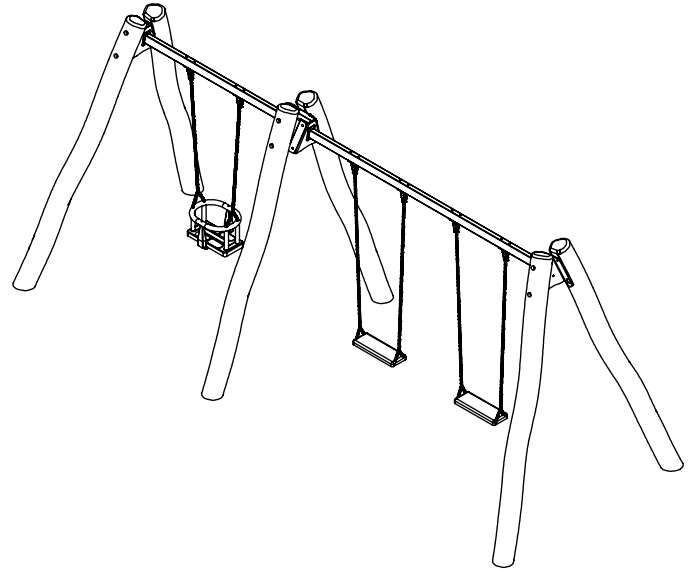
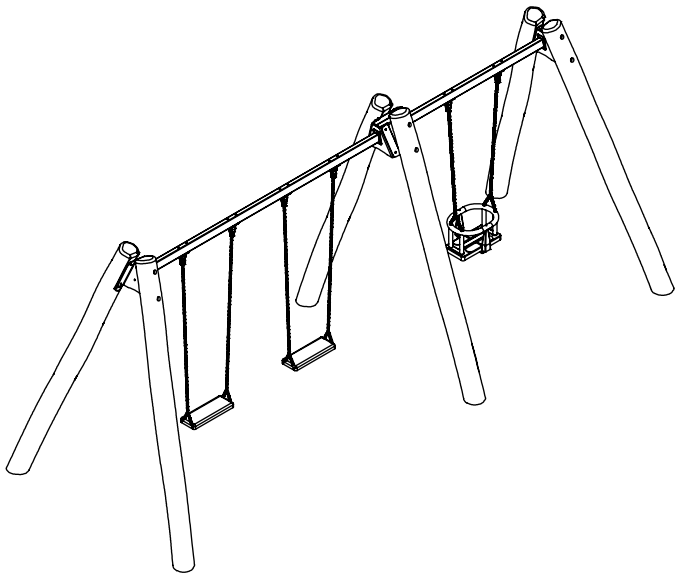


v010  
11.09.2020  
A. P.

[cm]

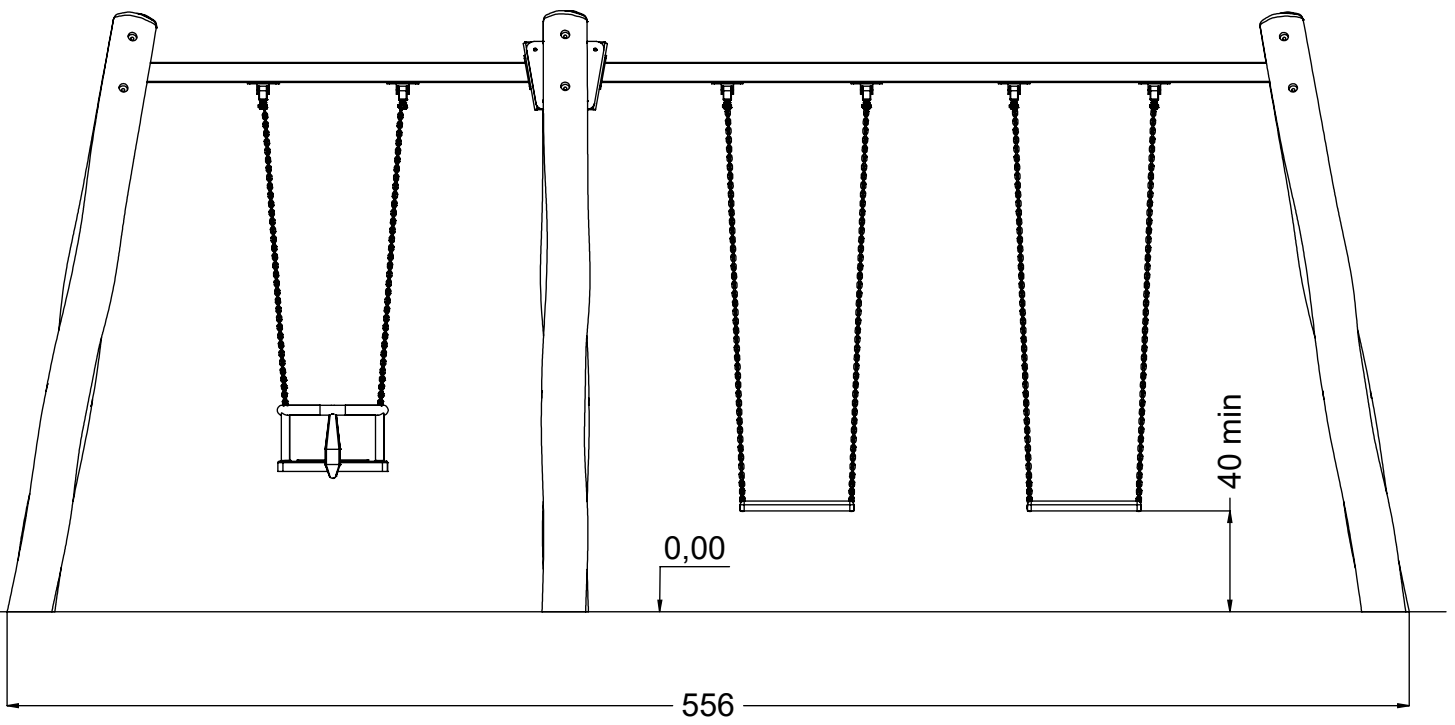
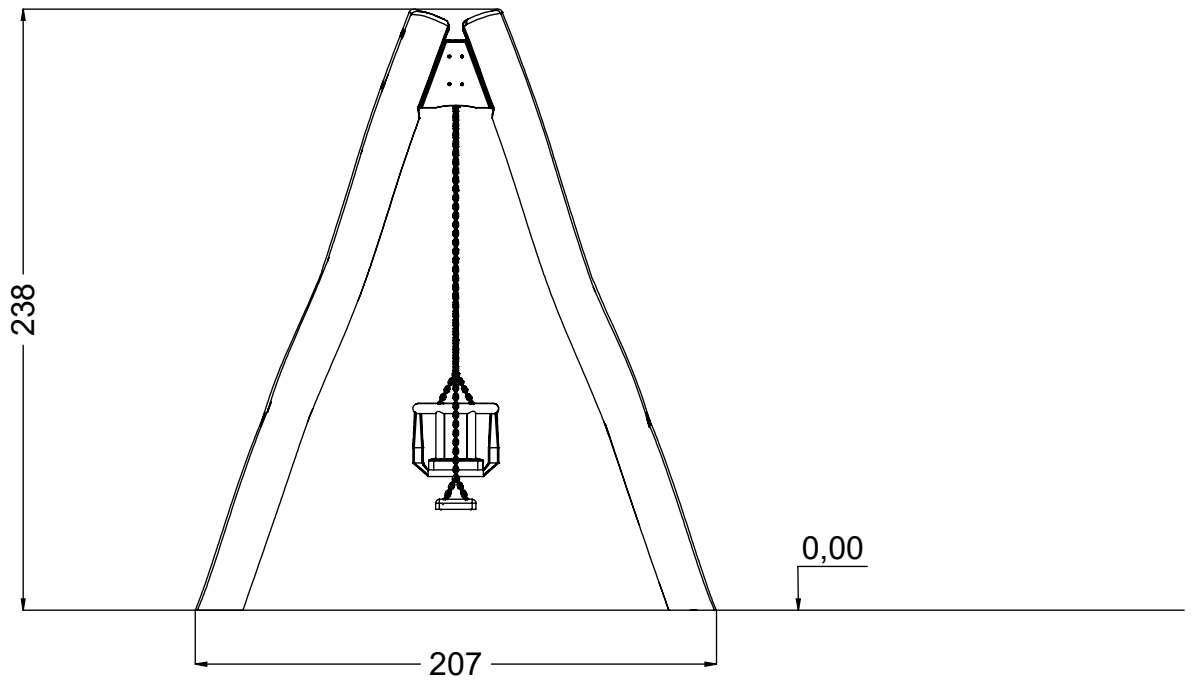


vinci  
play



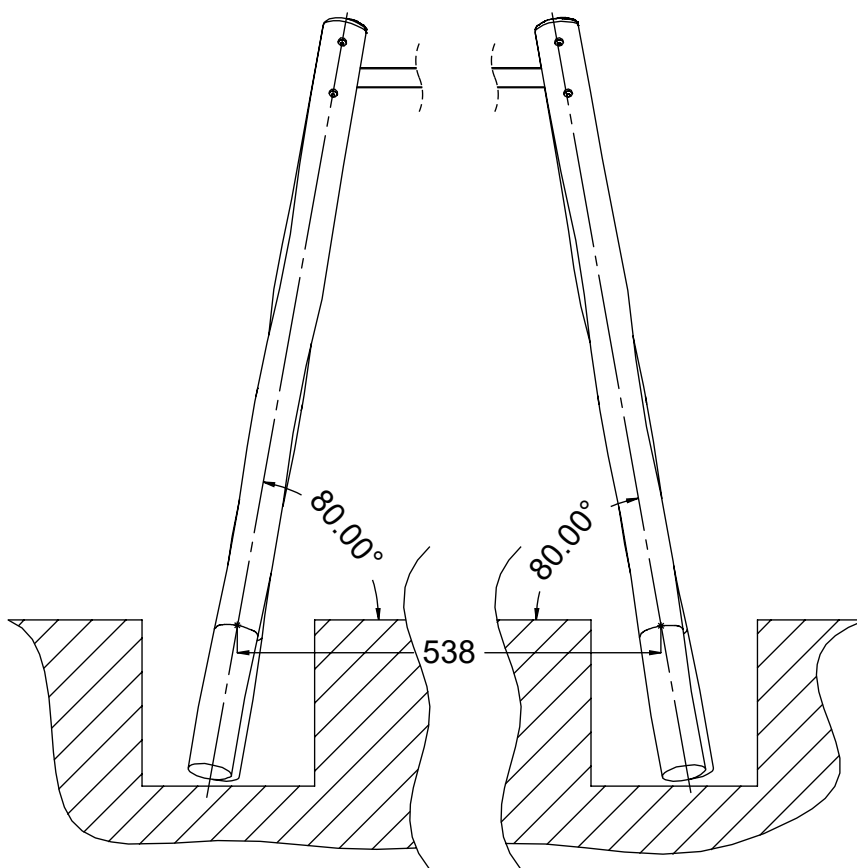
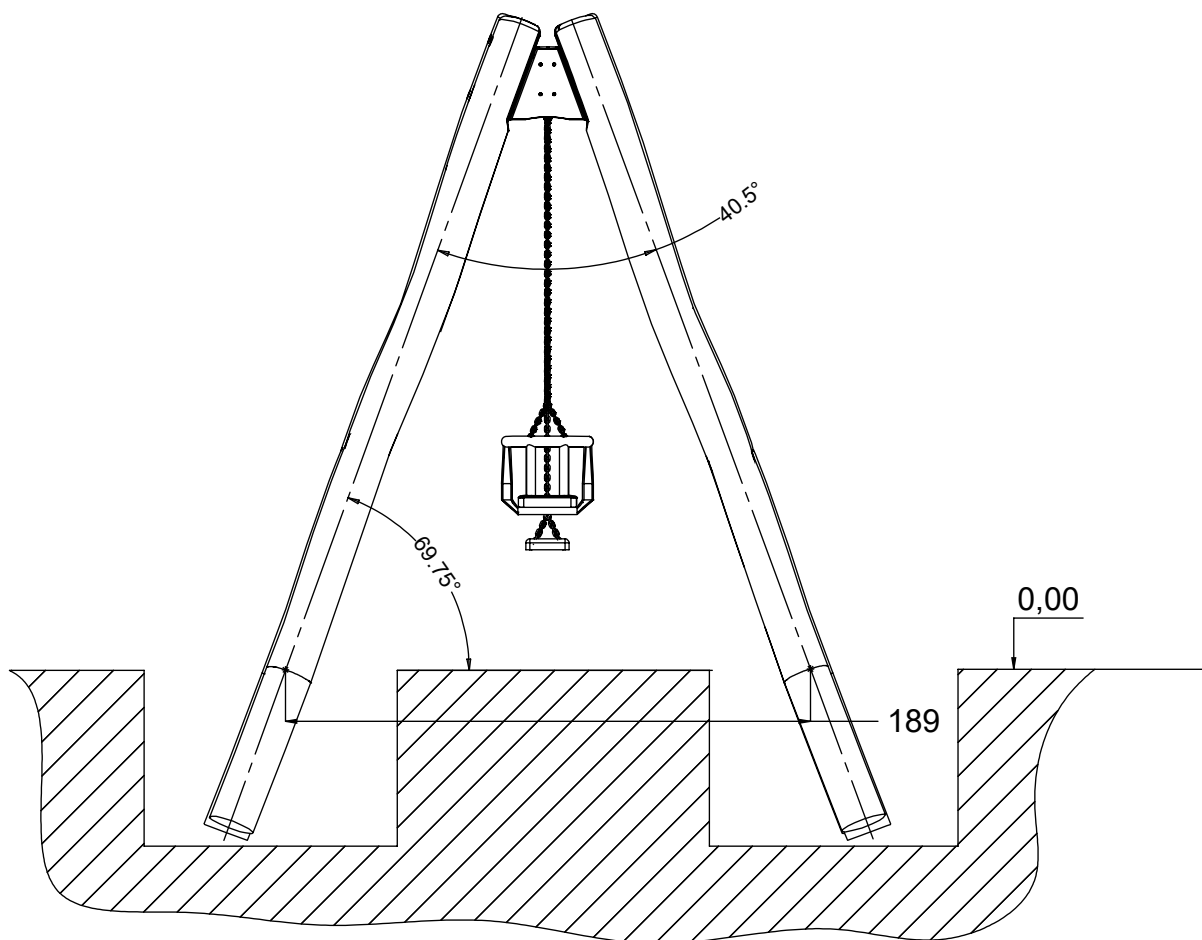
[cm]

vinci  
play



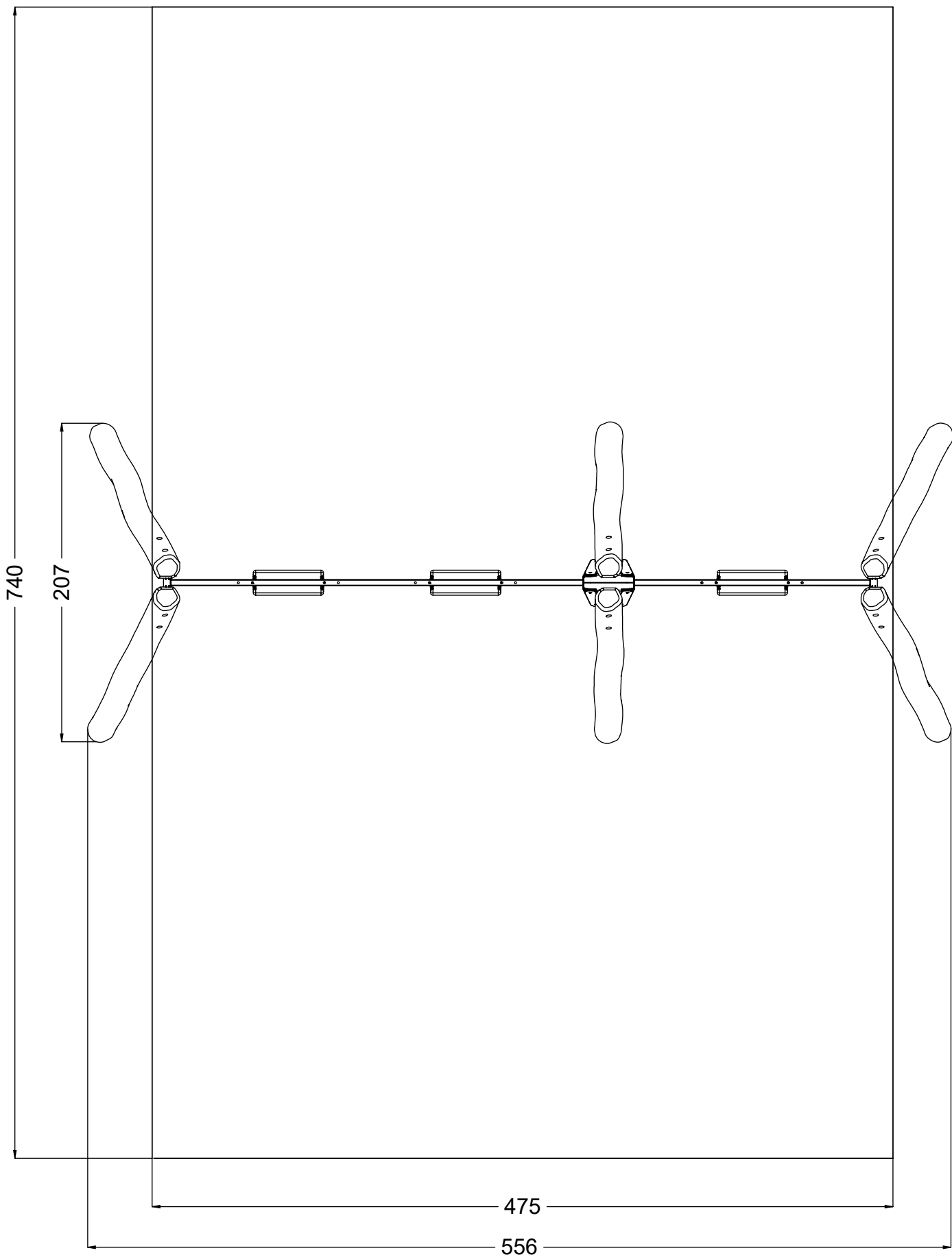
vinci  
play

[cm]



[cm]

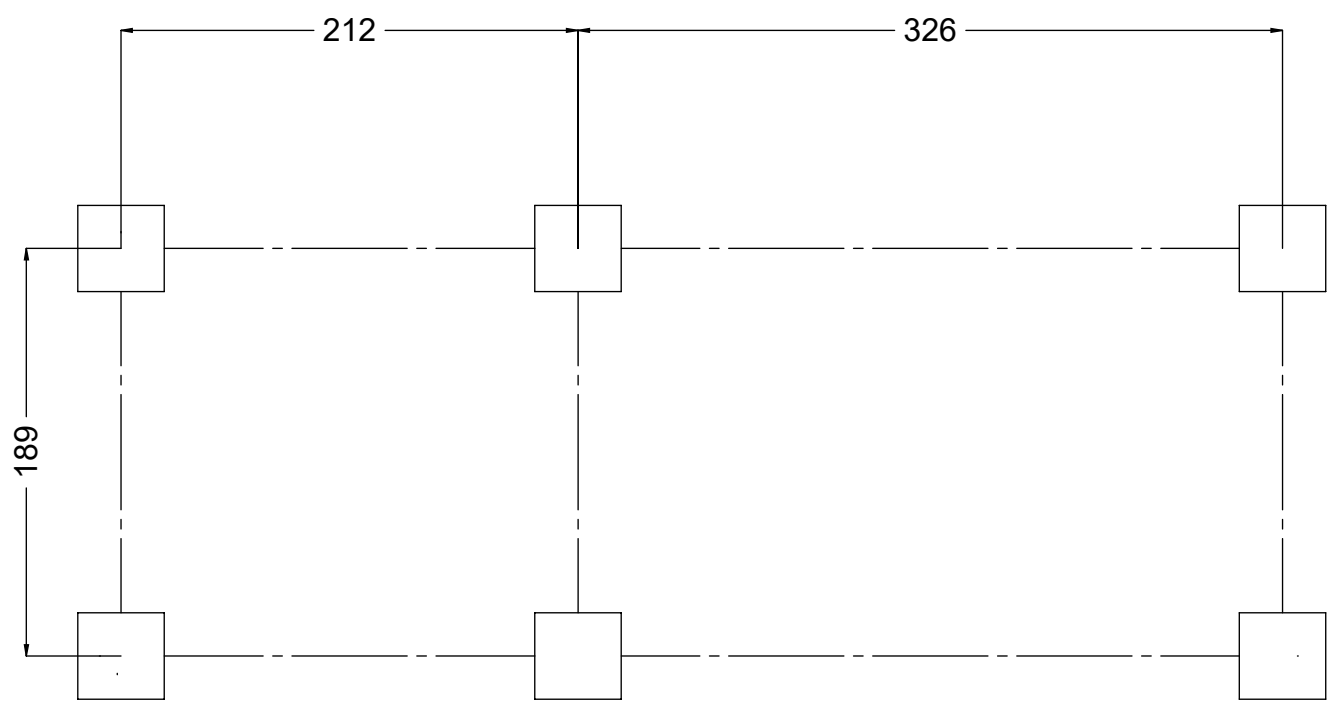
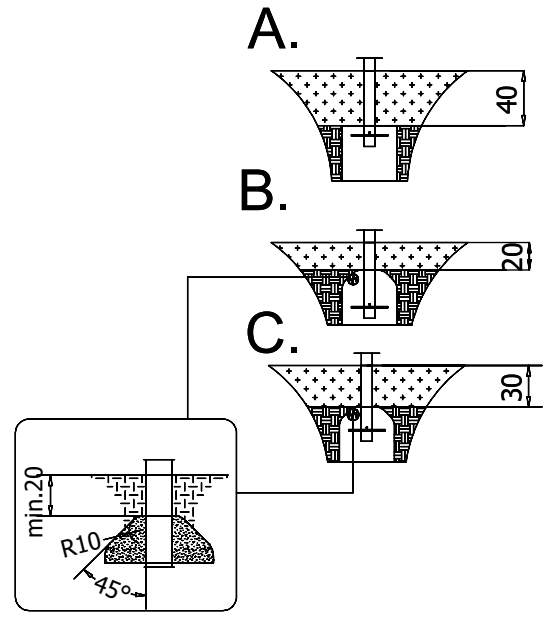
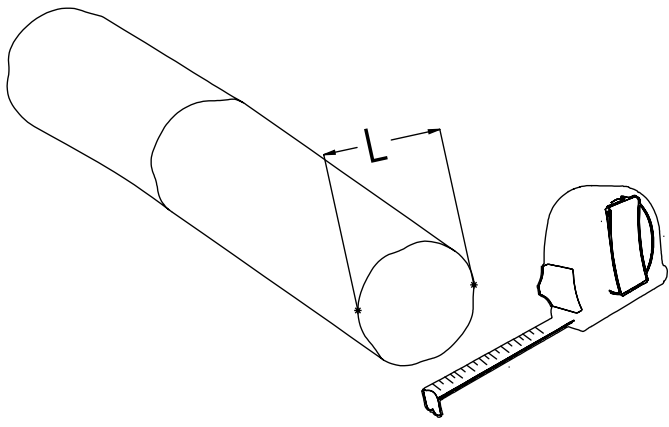
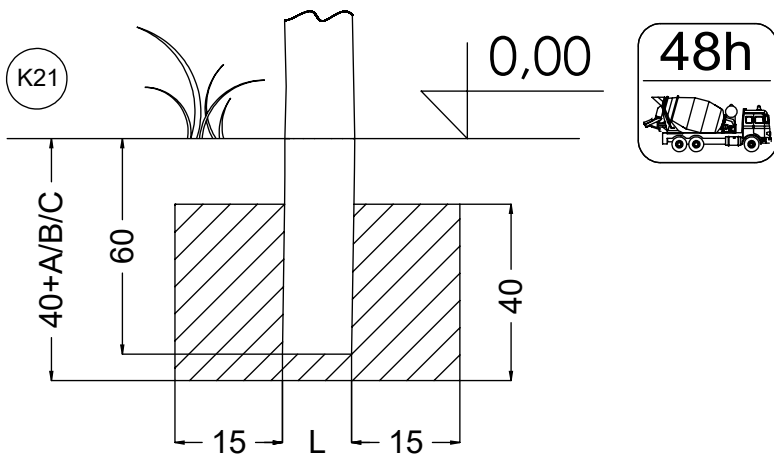
vinci  
play



[cm]



vinci  
play



x2

3h

130 HIC

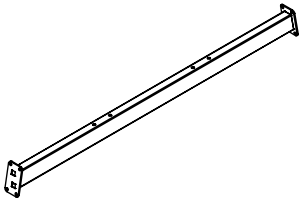
48h

K21

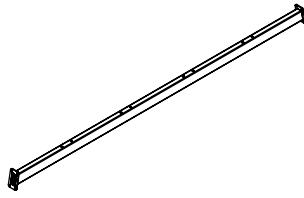
x6 >0,06m³

vinci play

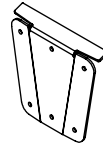
[cm]



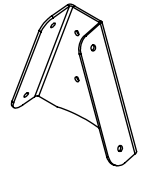
052127  
x1



052128  
x1



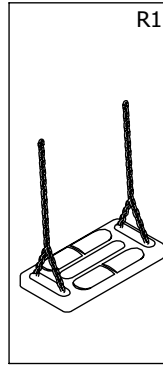
b251-2  
x2



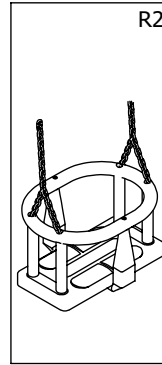
b66-5  
x4



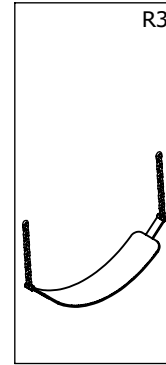
127116  
x6



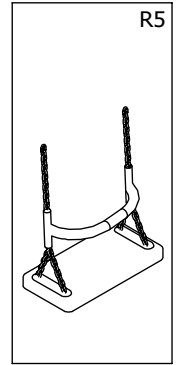
R1



R2

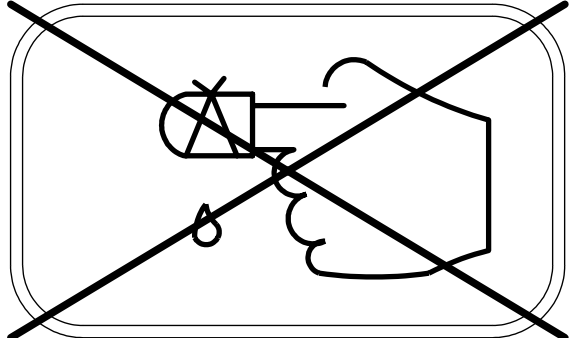
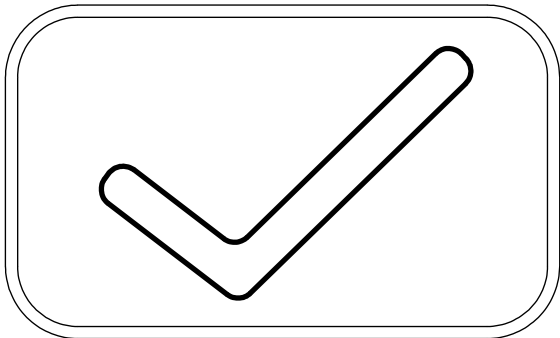
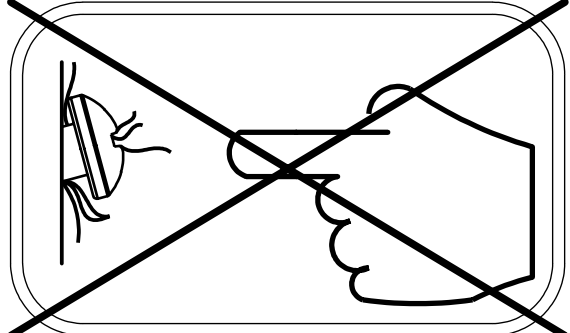
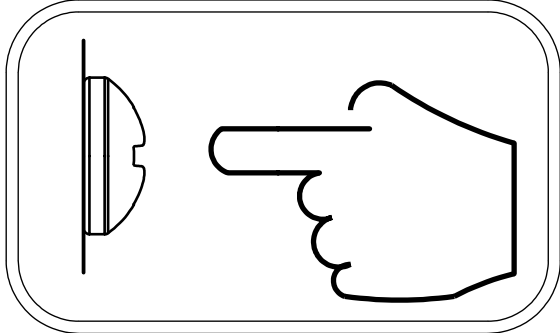
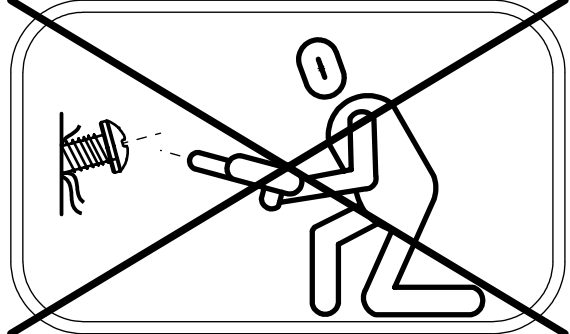
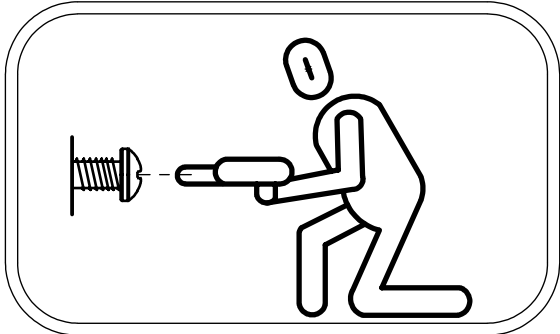


R3

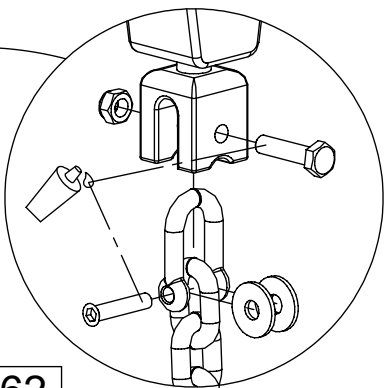
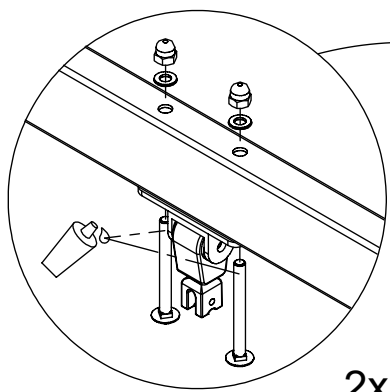


R5

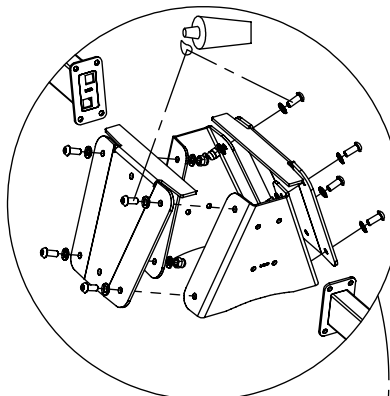
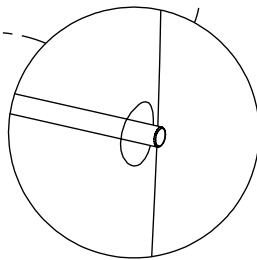
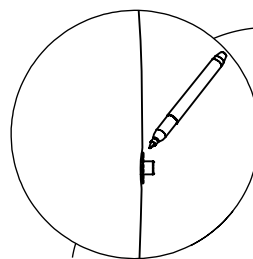
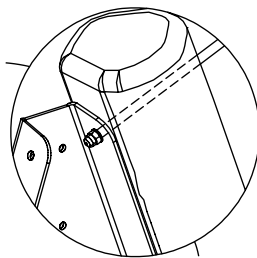
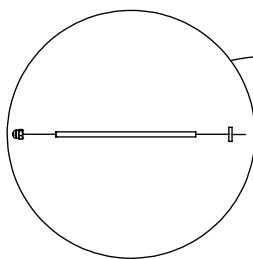
|    |            |
|----|------------|
| 2x | E60        |
| 1x | E61        |
| 3x | E62        |
| 1x | E164 R1,R4 |
| 1x | E165 R2    |
| 1x | E168 R3    |
| 3x | 12e017     |
| 1x | V001       |



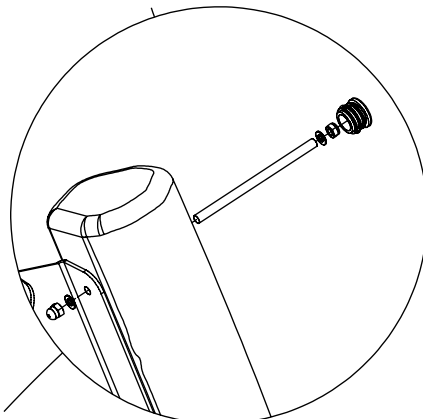
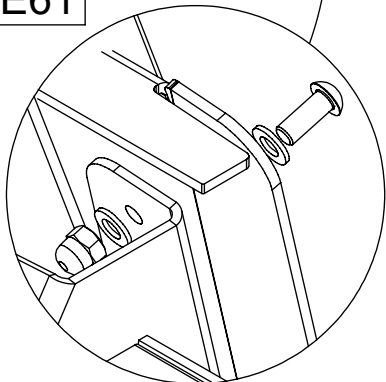
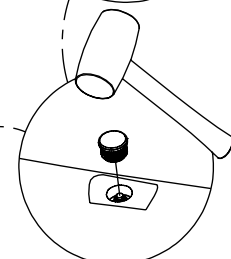
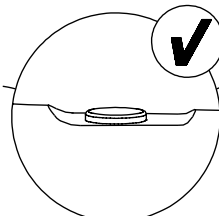
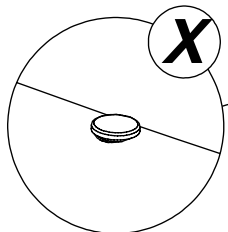
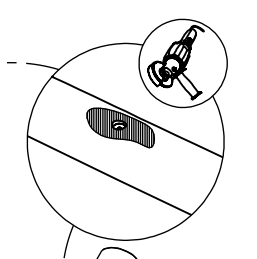
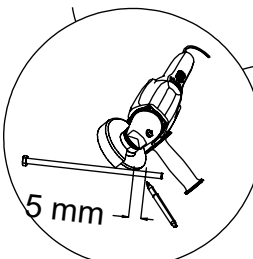




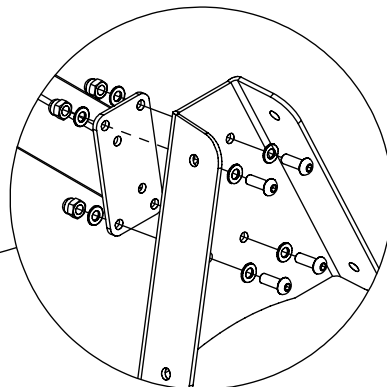
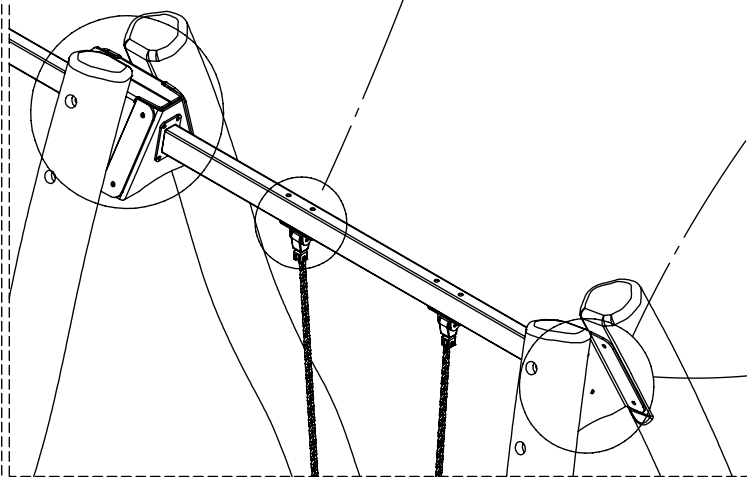
2x E62



1x E61



3x 12e017

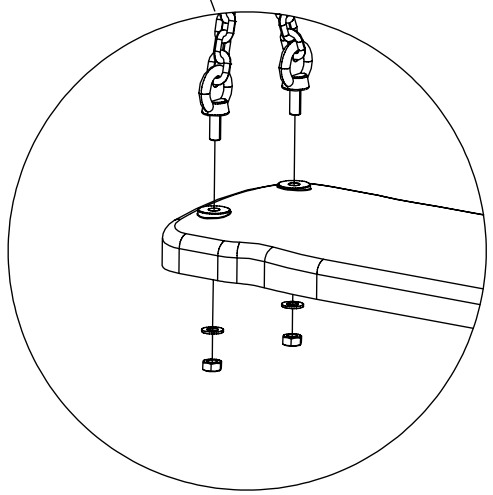
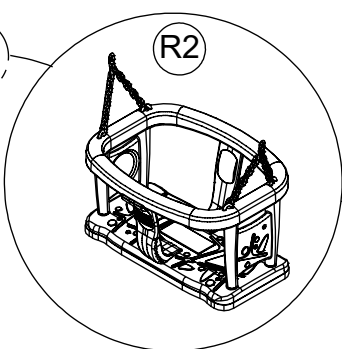
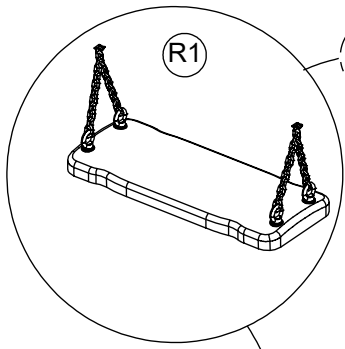


2x E60

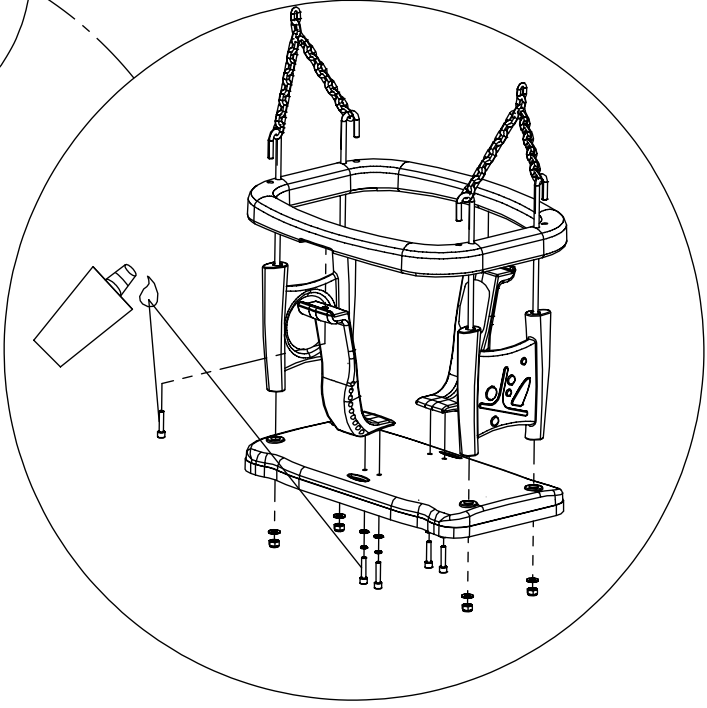
vinci play

[cm]

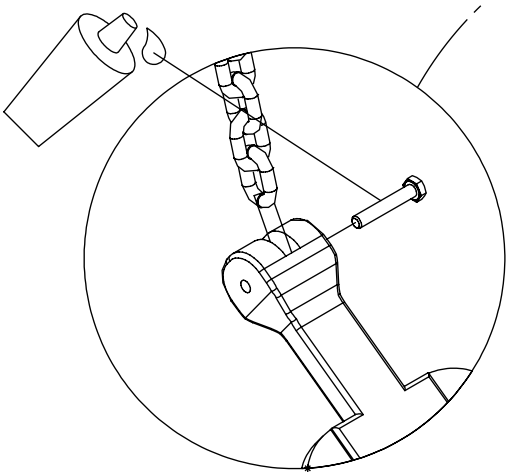
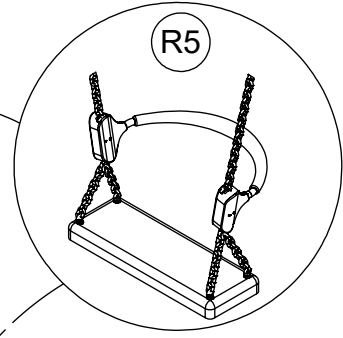
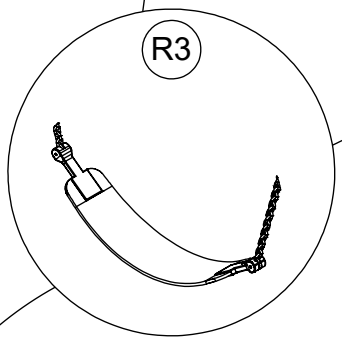
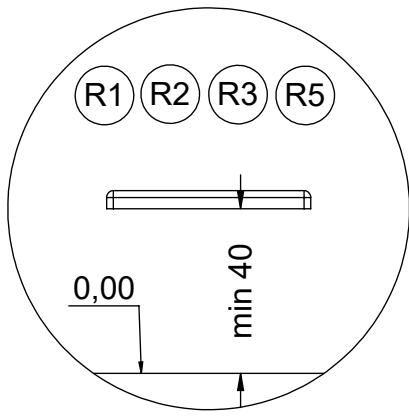




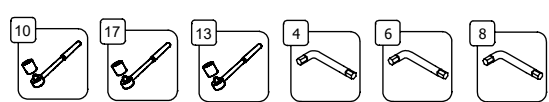
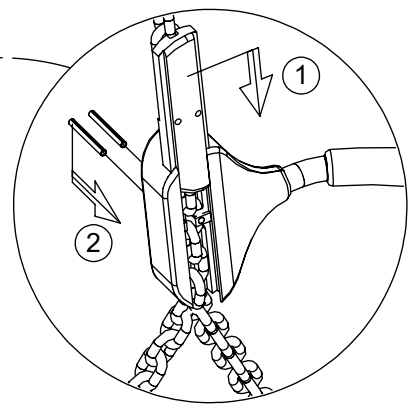
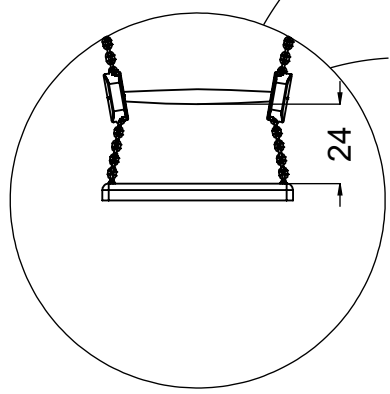
1x E164



1x E165

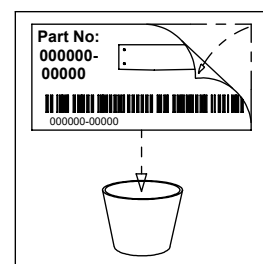
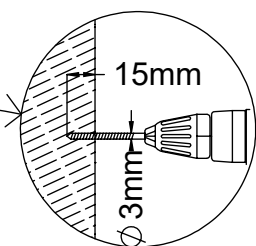
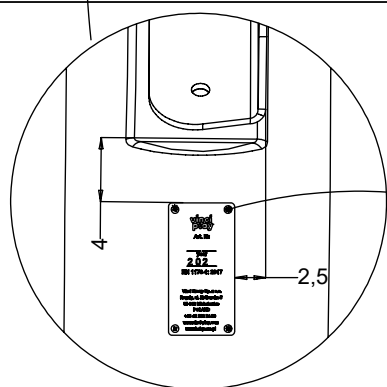
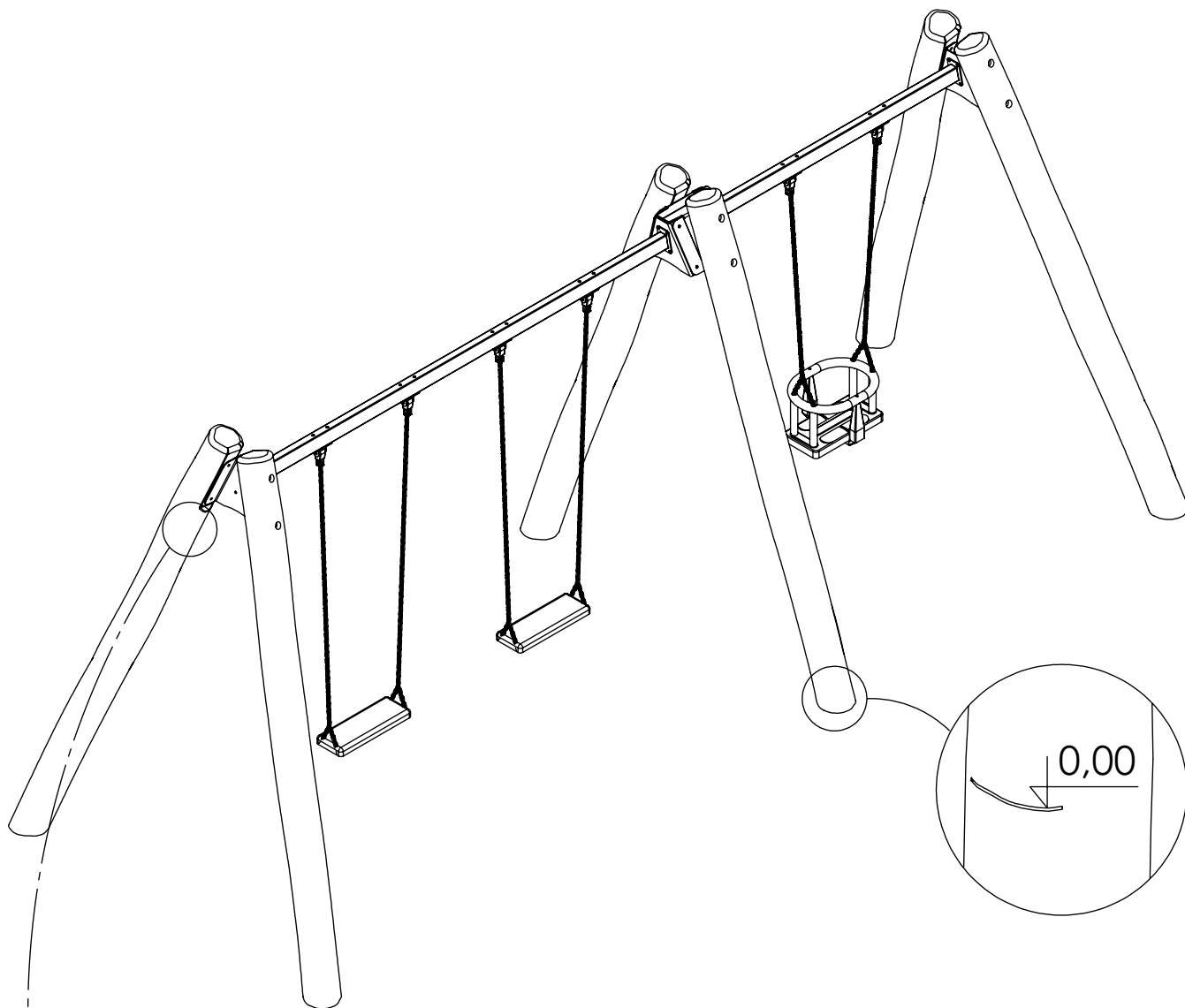


1x E168



[cm]

vinci play



[cm]



vinci  
play