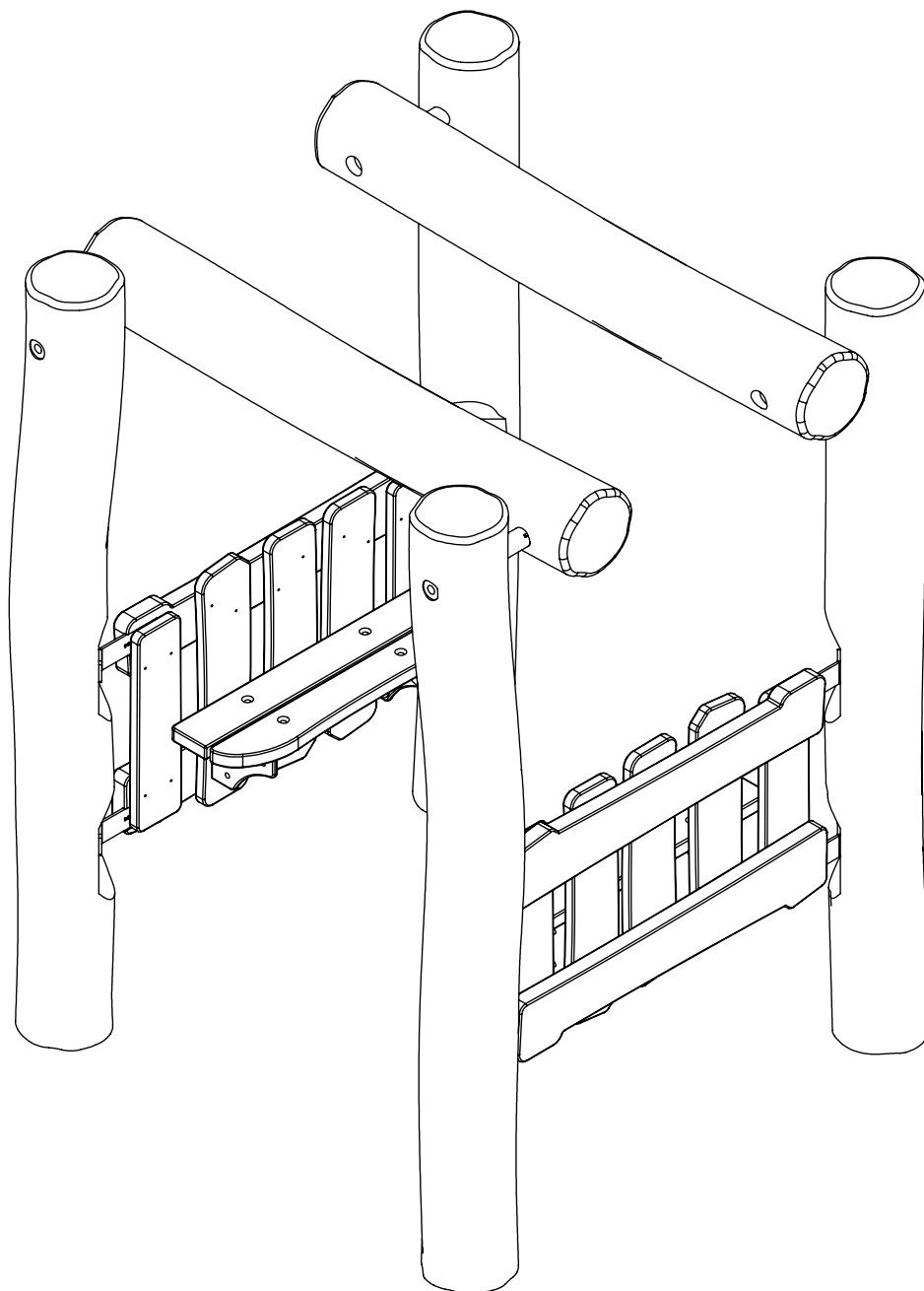
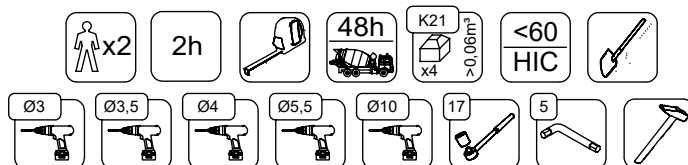


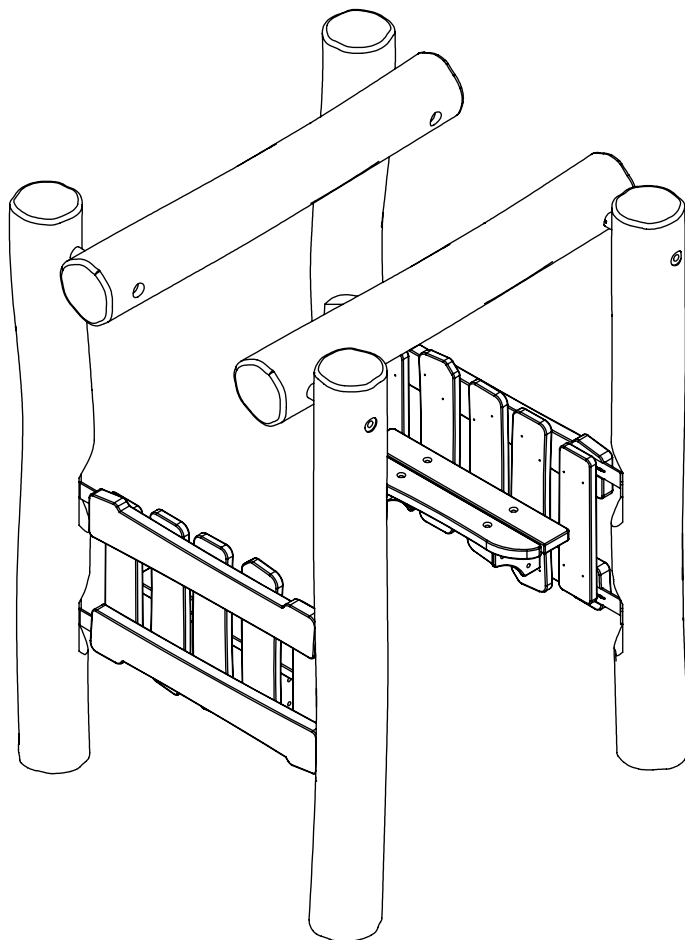
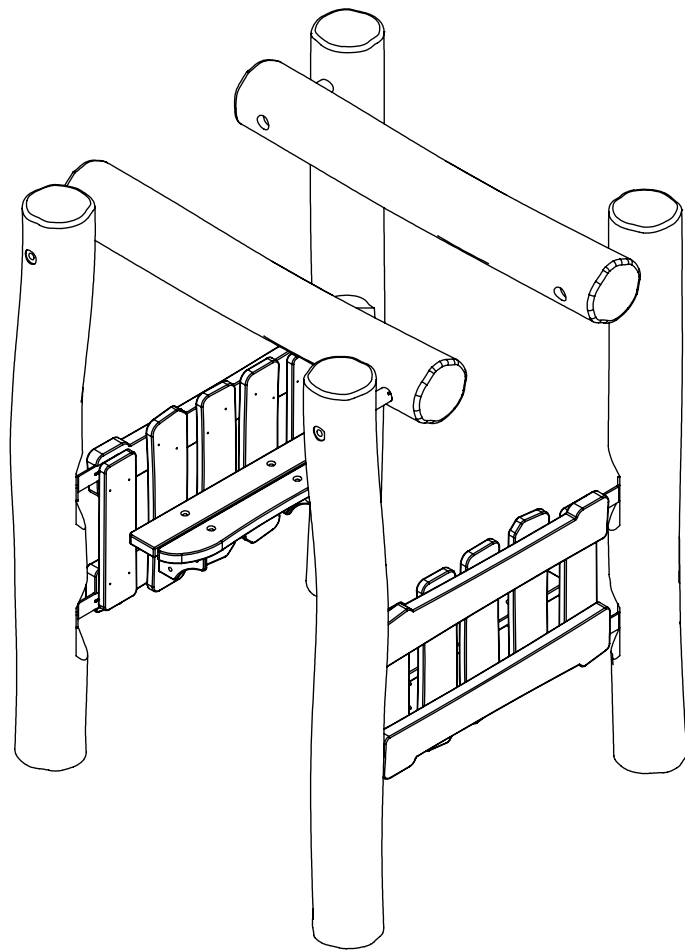
RB1334



v010
22.10.2020
A. P.
[cm]

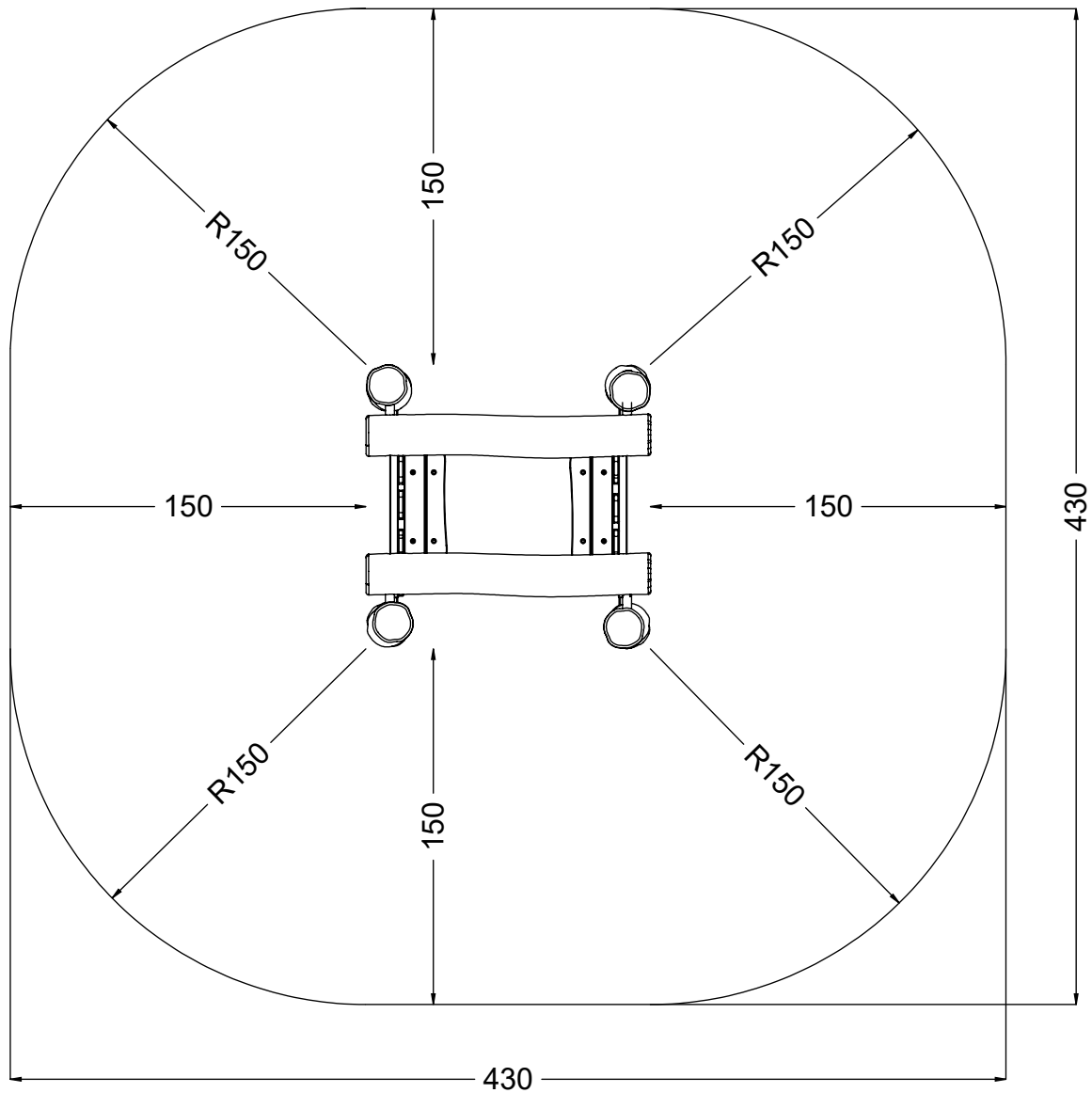
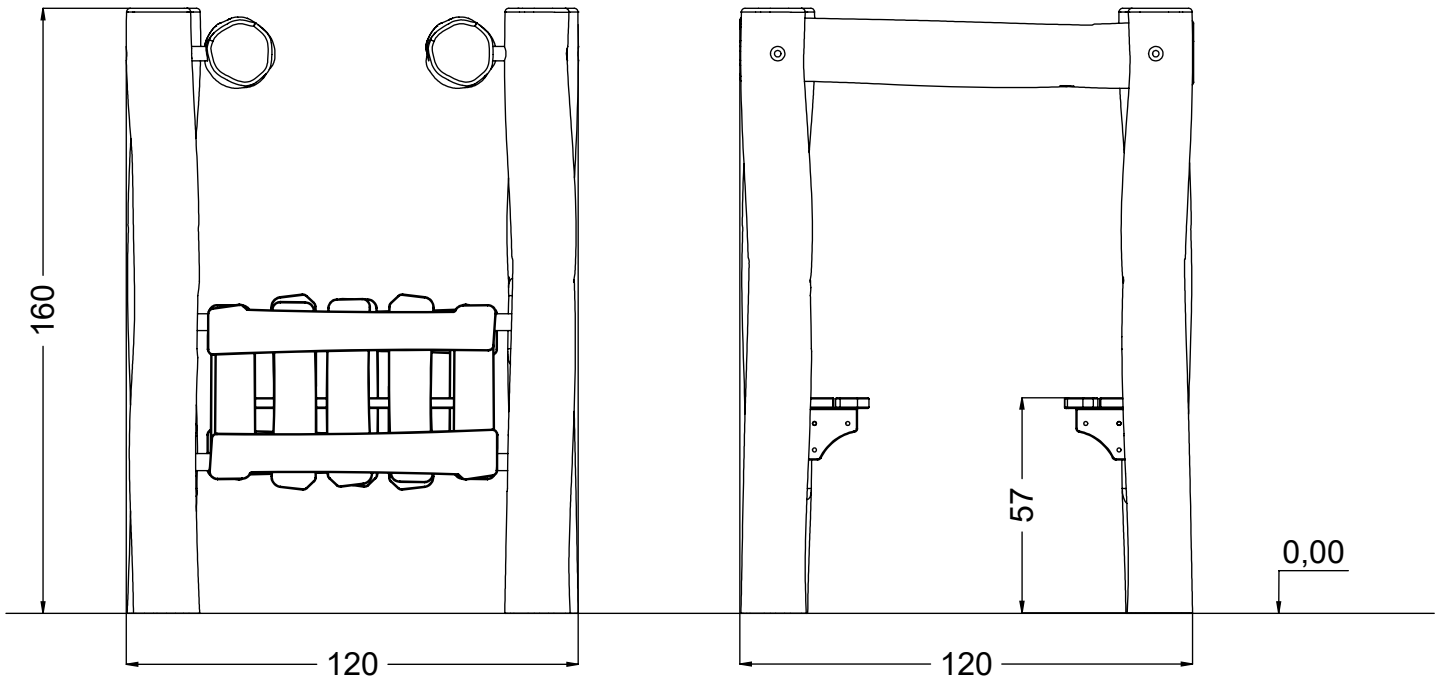


vinci
play



[cm]

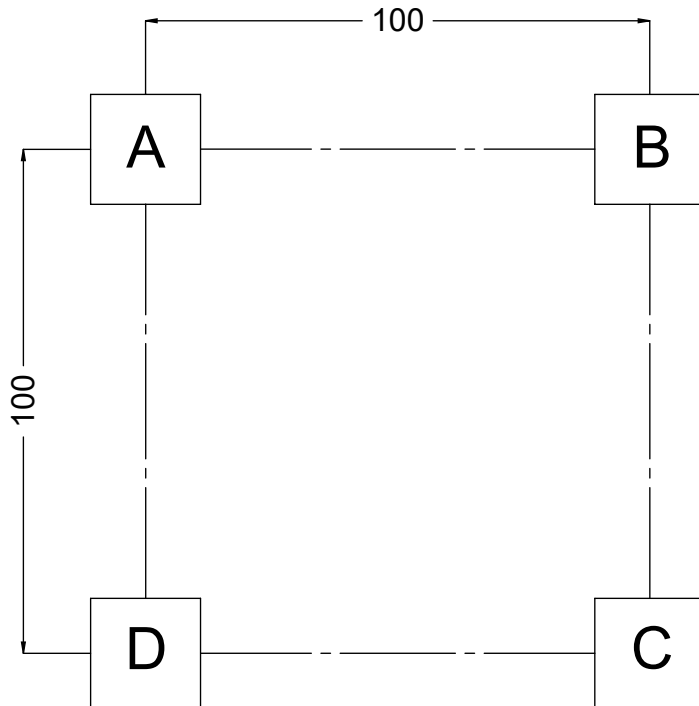
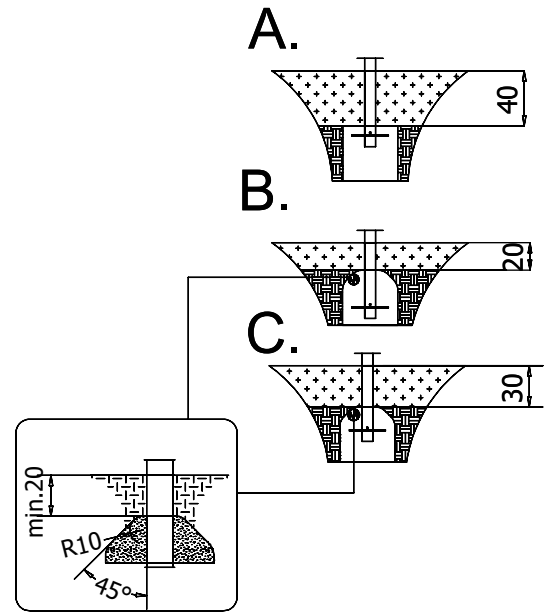
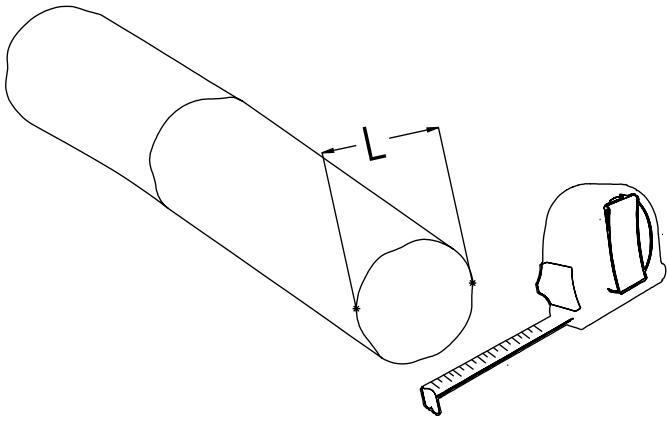
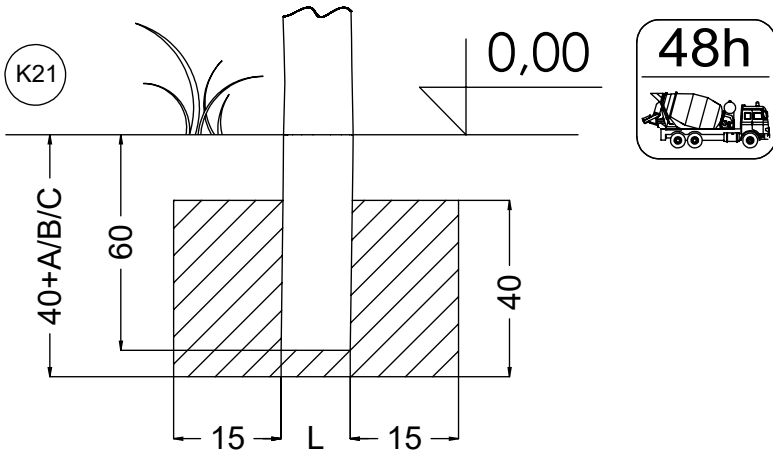
vinci
play



[cm]



vinci
play



[cm]



2h



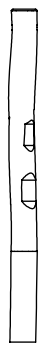
vinci
play



127354 A
x1



127355 B
x1



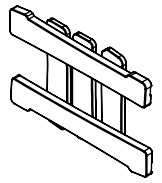
127356 C
x1



127357 D
x1



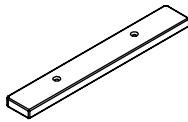
127358
x2



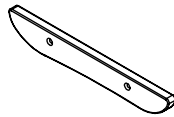
124111
x2



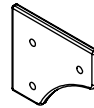
128194
x2



128102
x2



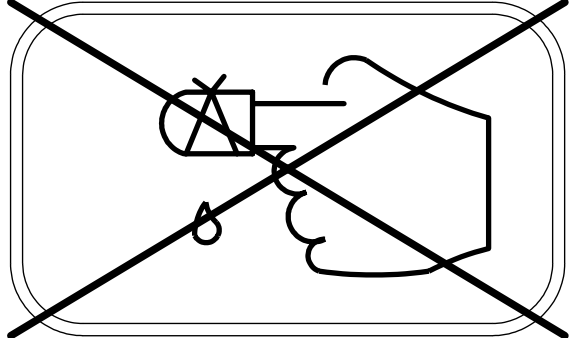
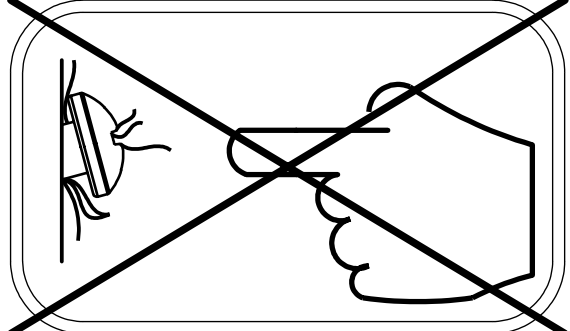
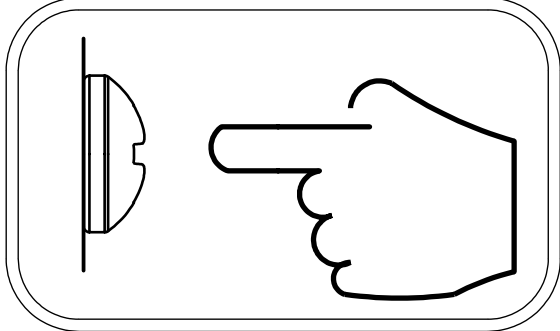
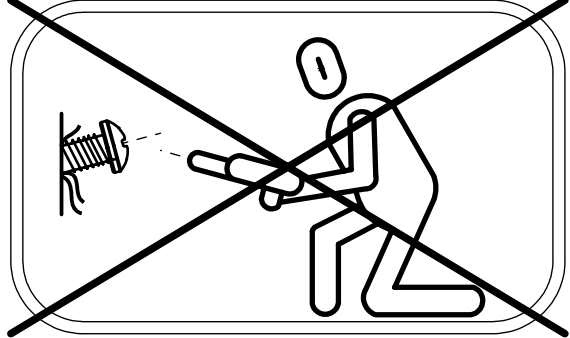
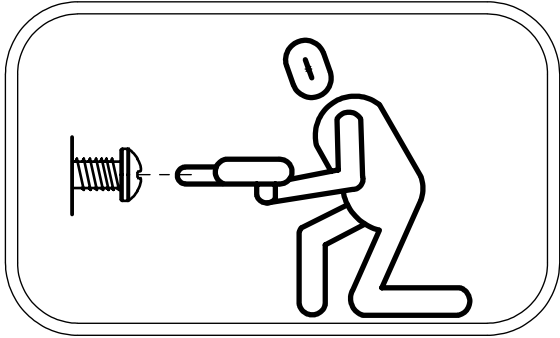
128106
x2

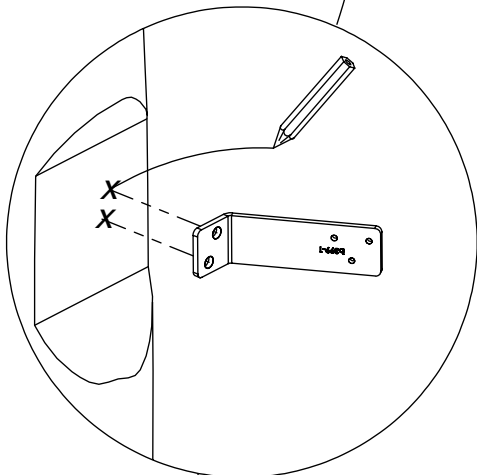
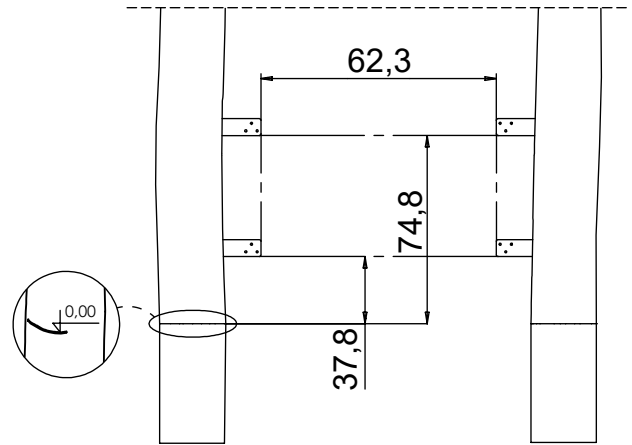
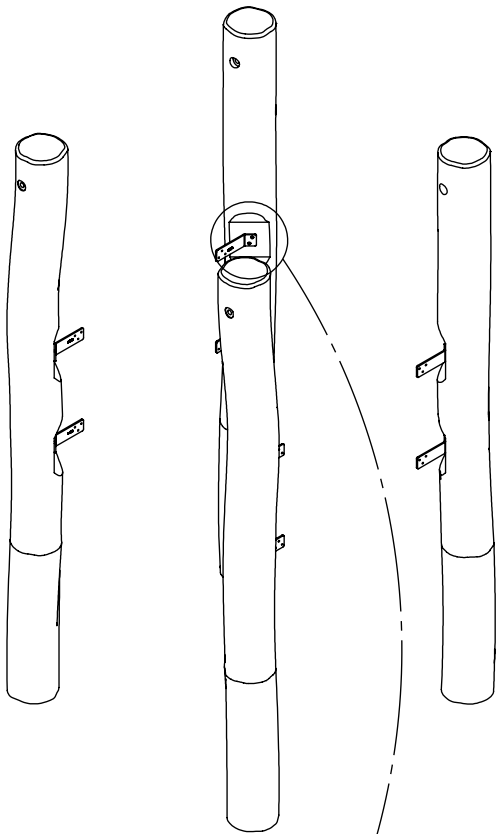


121100
x4

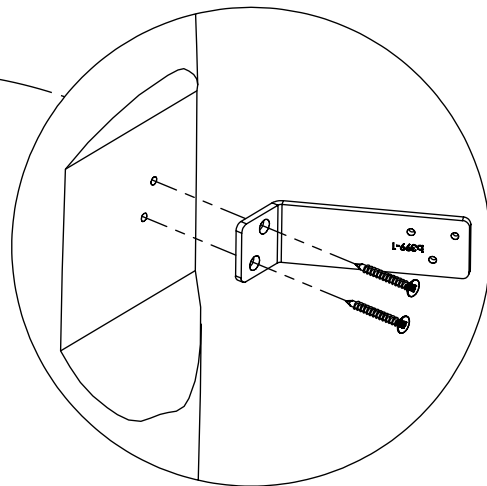
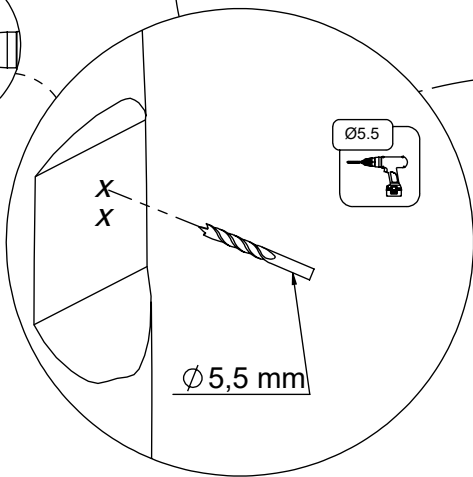
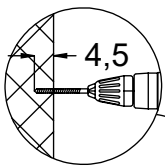
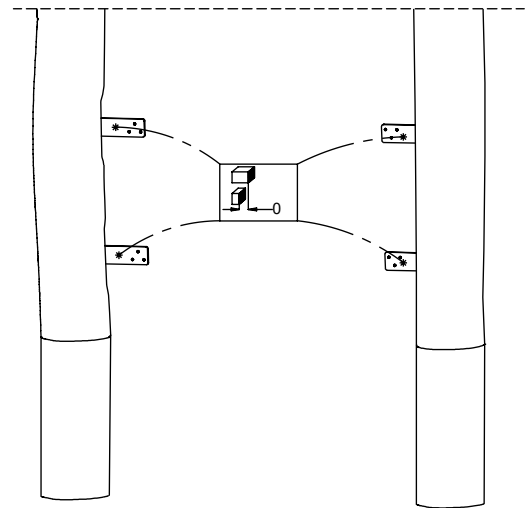
16x	5x50sxs
20x	8x50sxi
24x	5x30sxs

2x	12e014
2x	12e022
8x	b389
1x	V001





8x**b389**

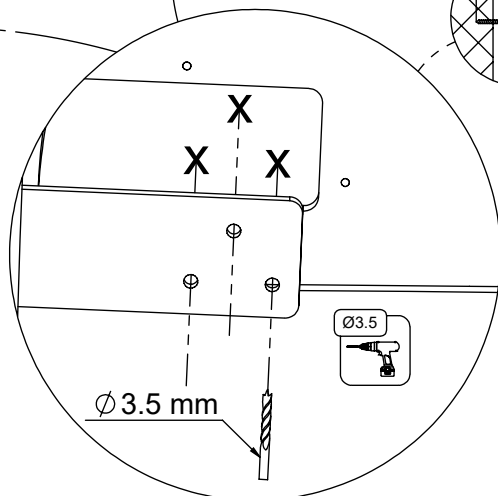
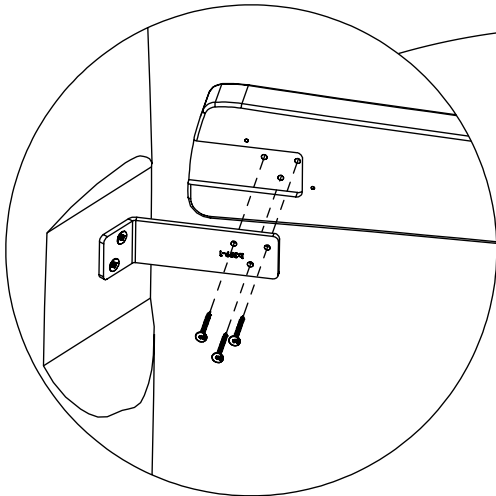
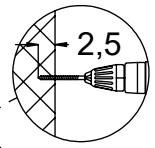
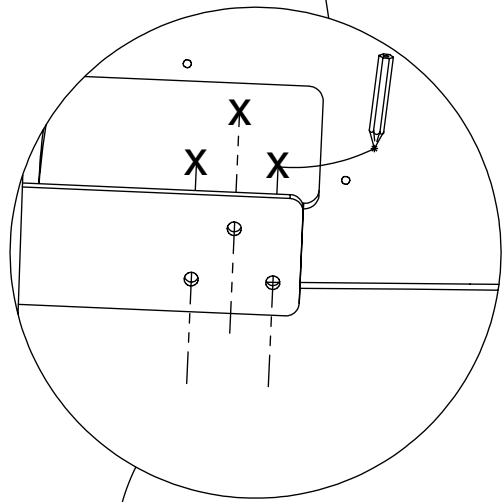
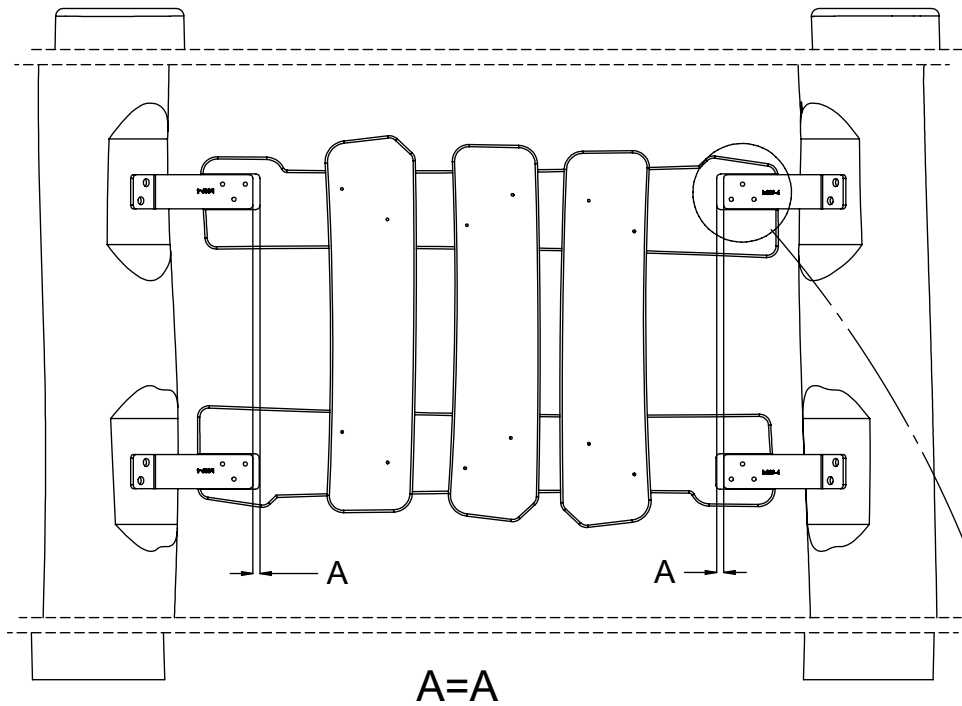


16x**8x50sxi**

[cm]

vinci
play

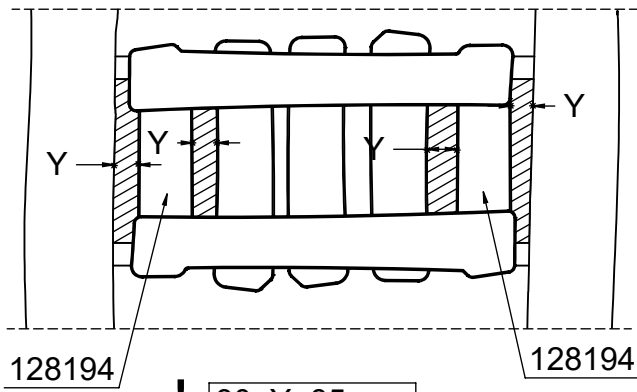
2x



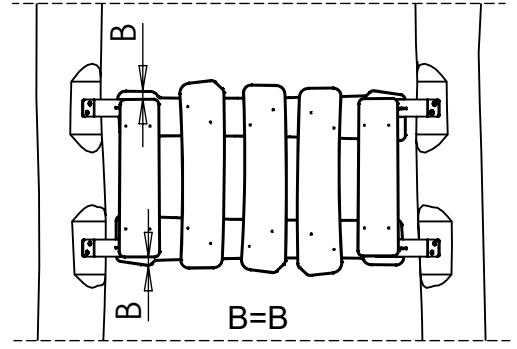
12x 5x30sxs

[cm]

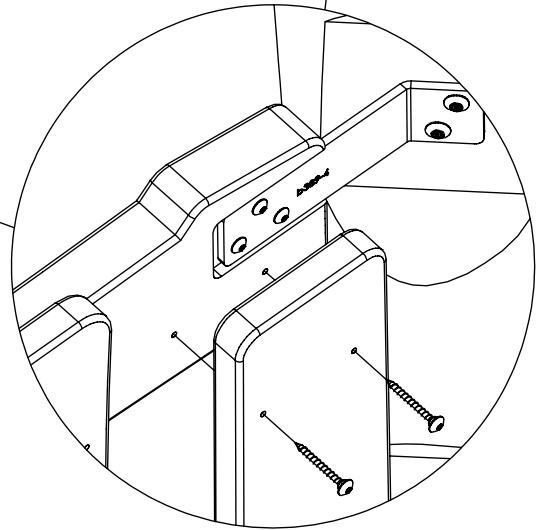
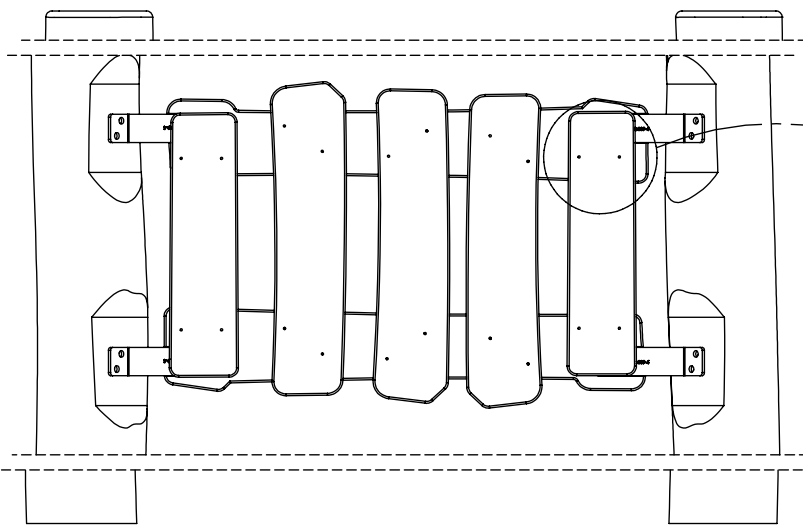
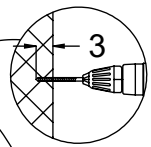
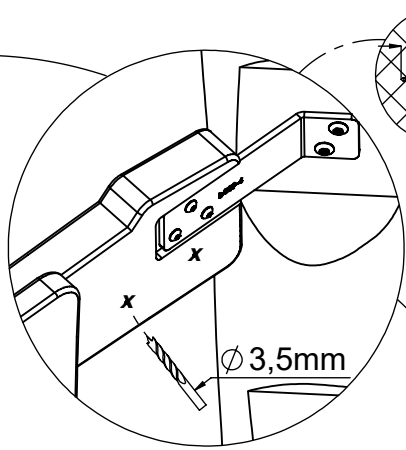
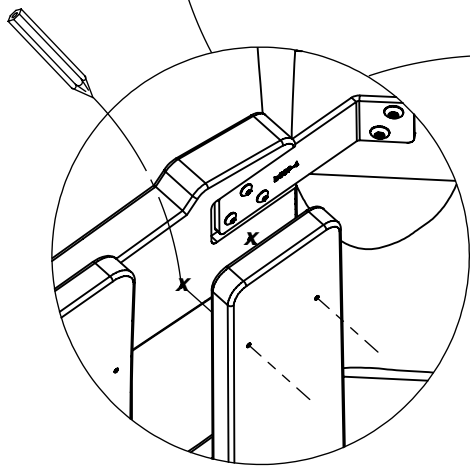
vinci play



! $30 < Y < 85 \text{ mm}$



2x



8x 5x50sxs

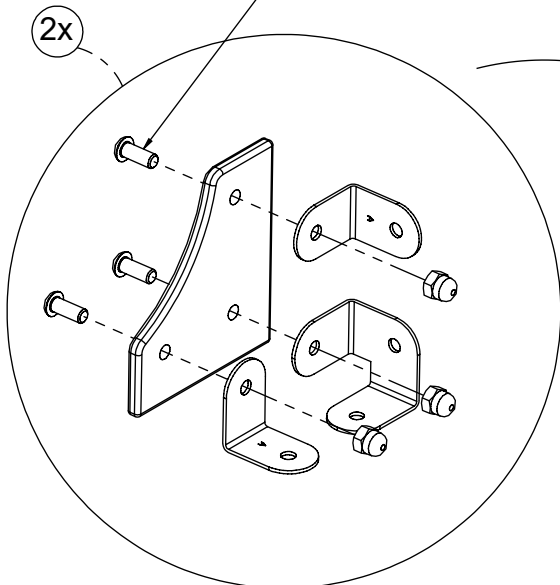
[cm]

vinci
play

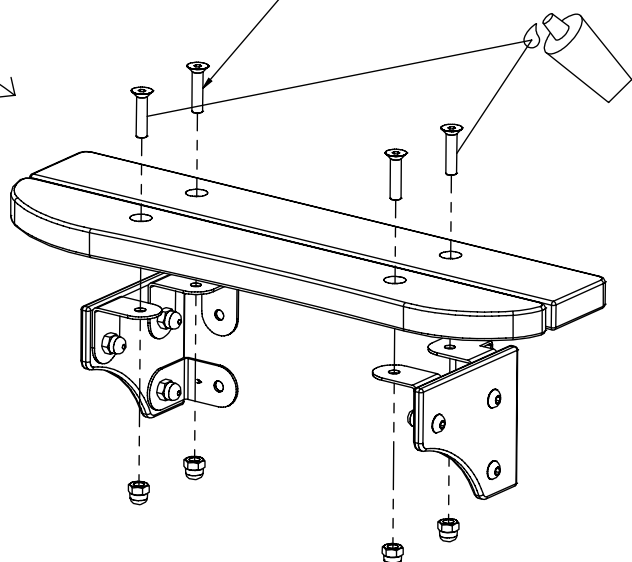
2x

6x M10x25

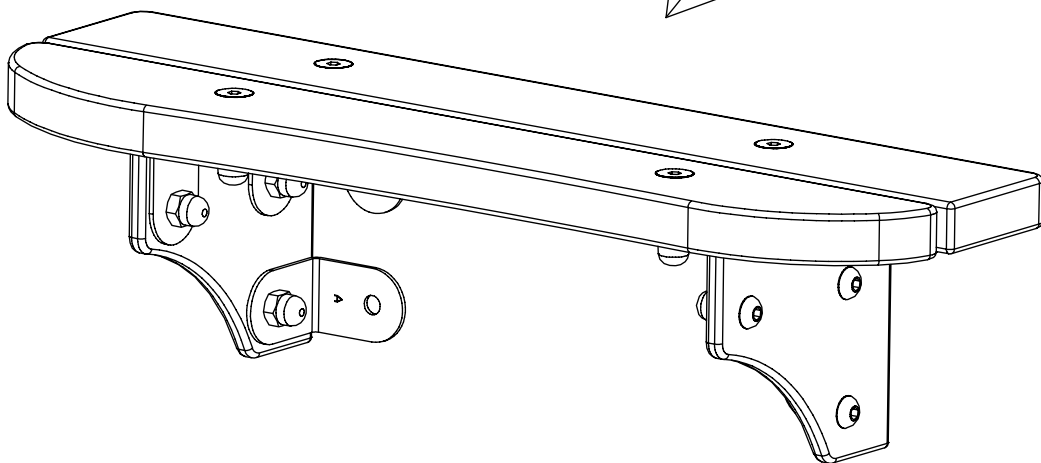
2x



4x M10x45

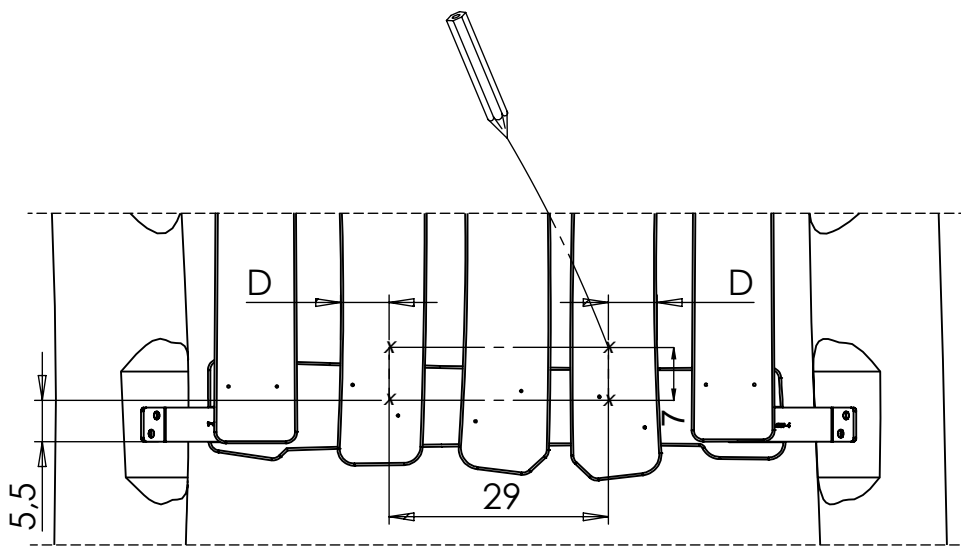


1x 12e014

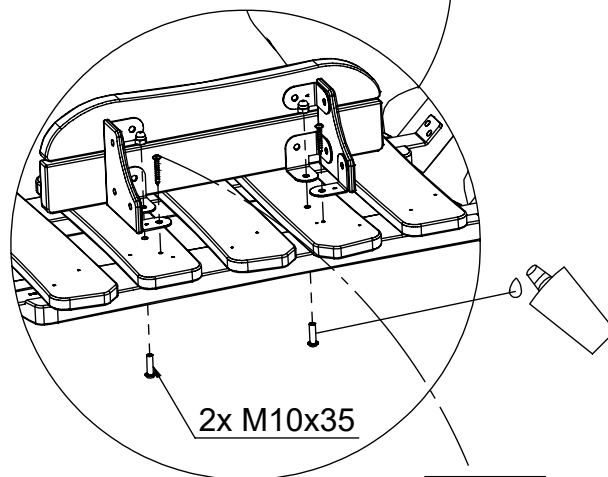
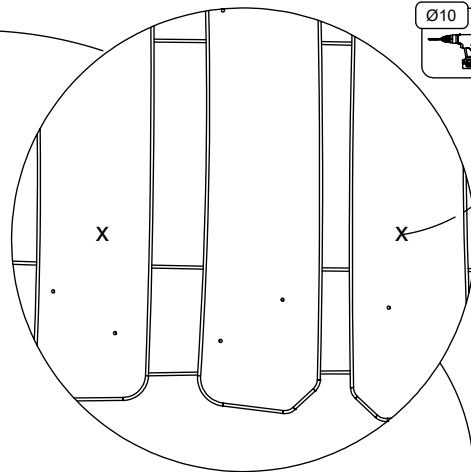
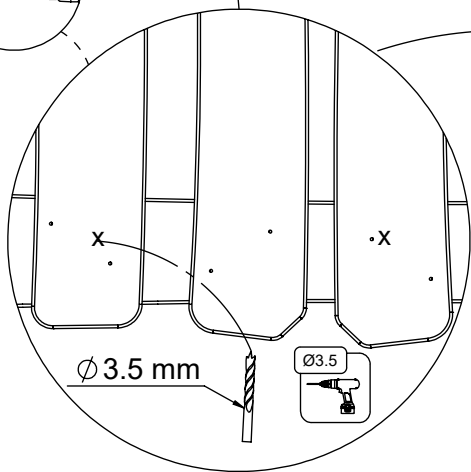
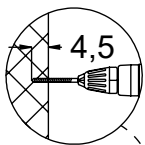


[cm]

vinci
play



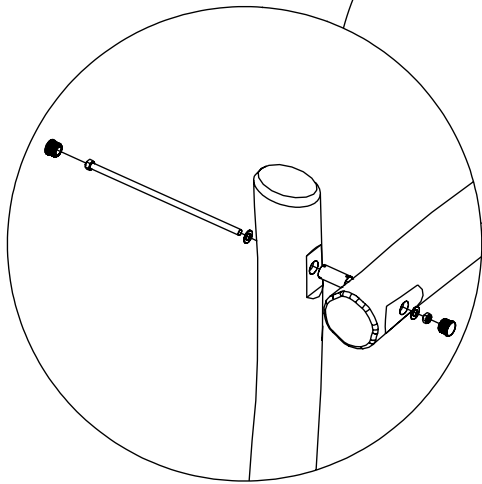
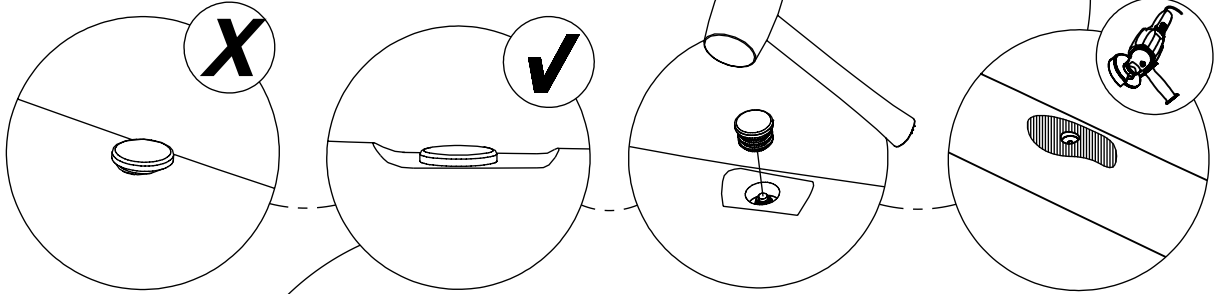
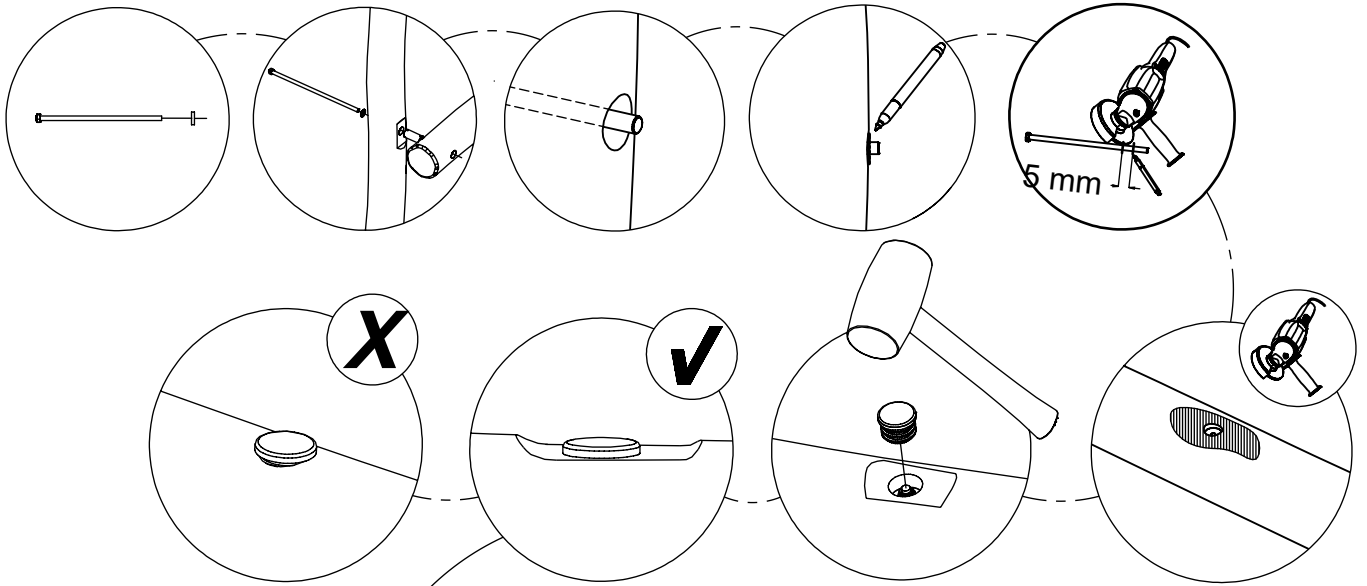
2x



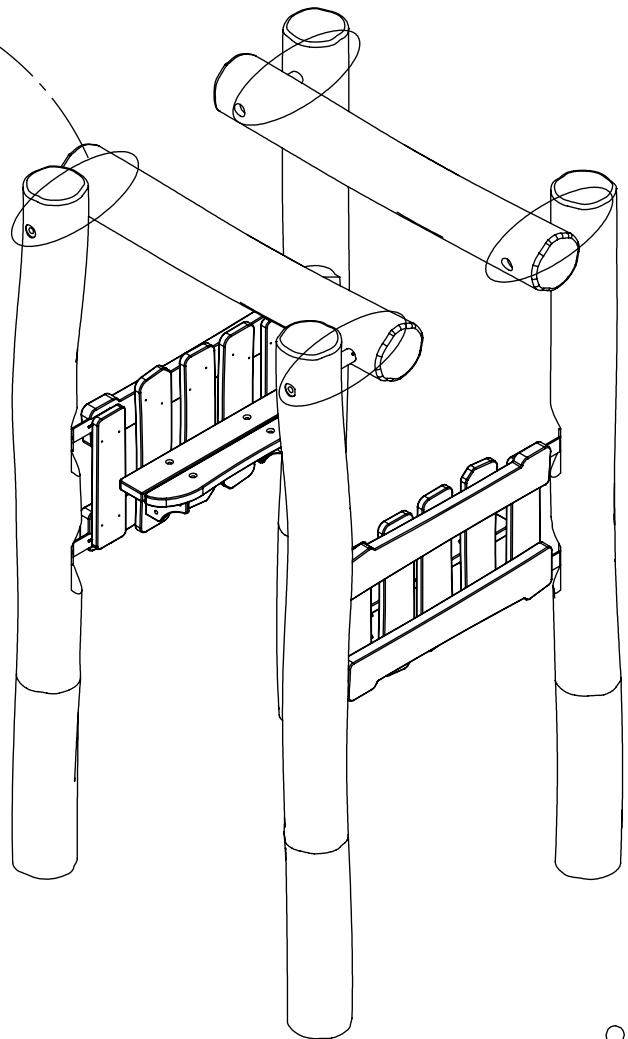
12e014

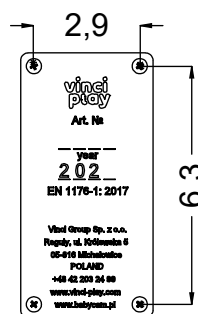
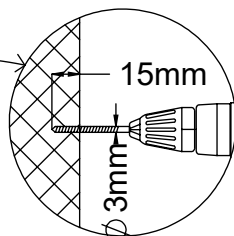
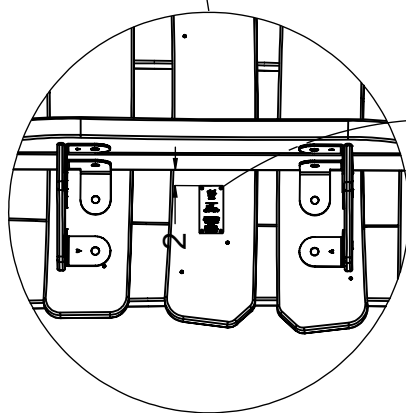
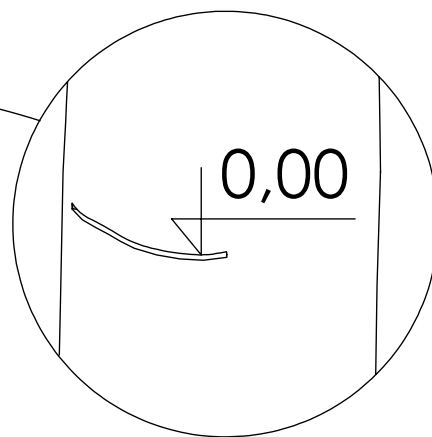
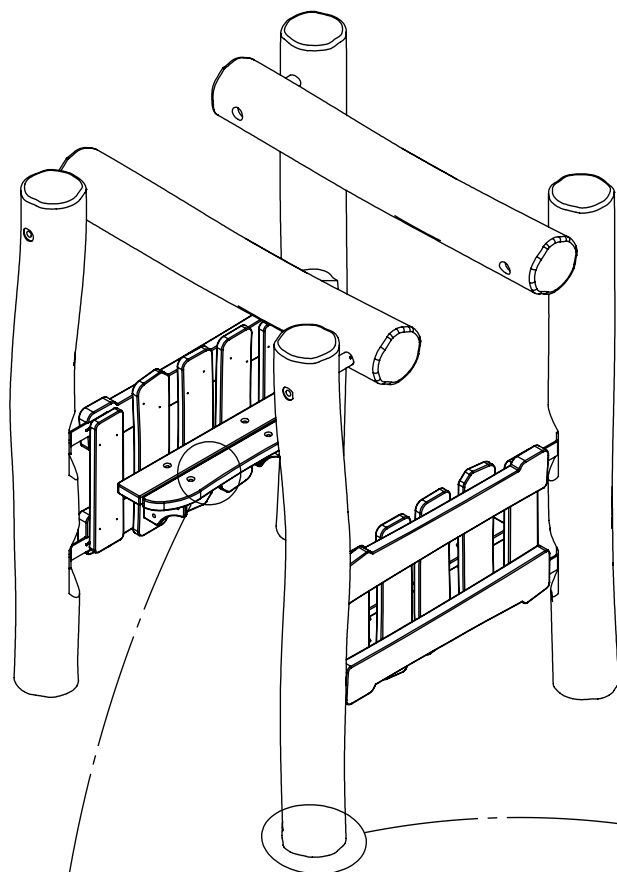
vinci
play

[cm]

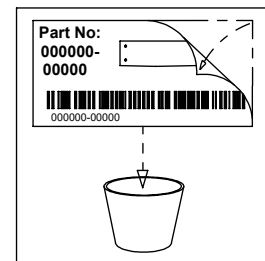


2x 12e022





V001



[cm]

vinci
play