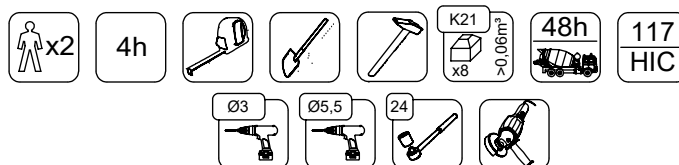
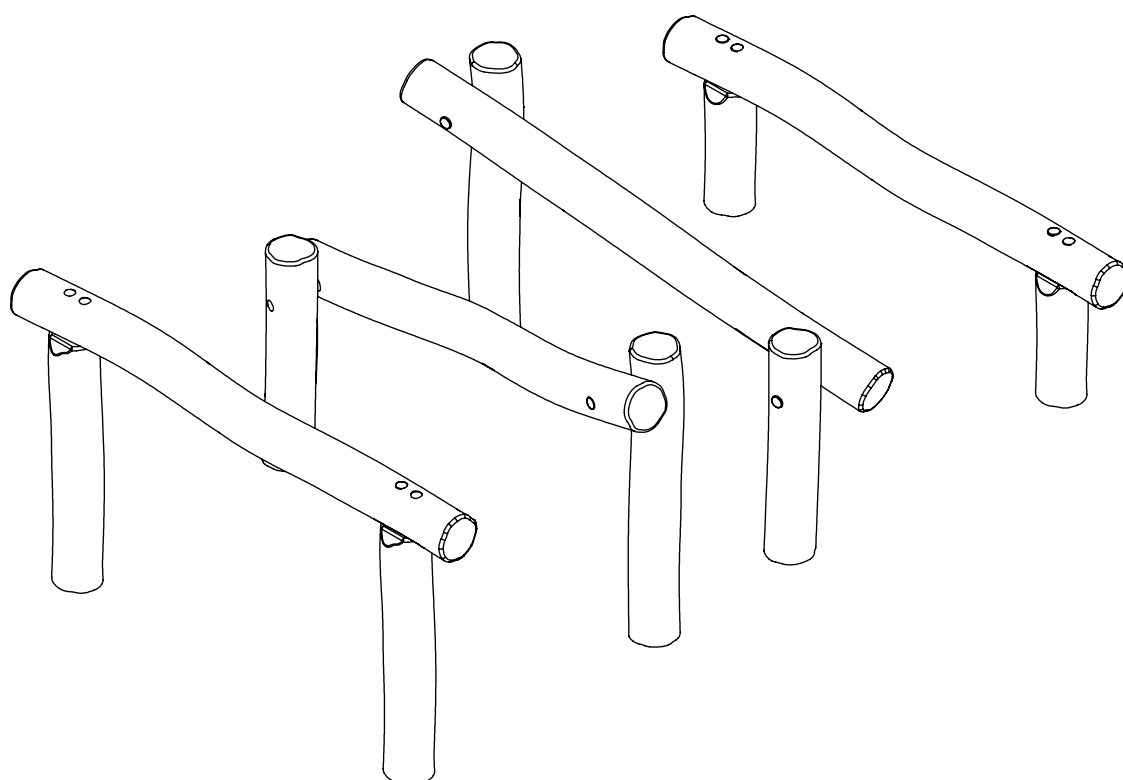
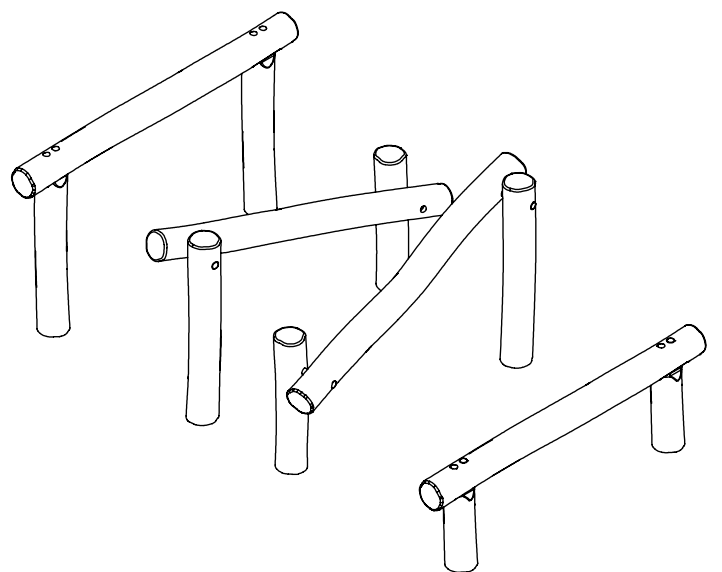
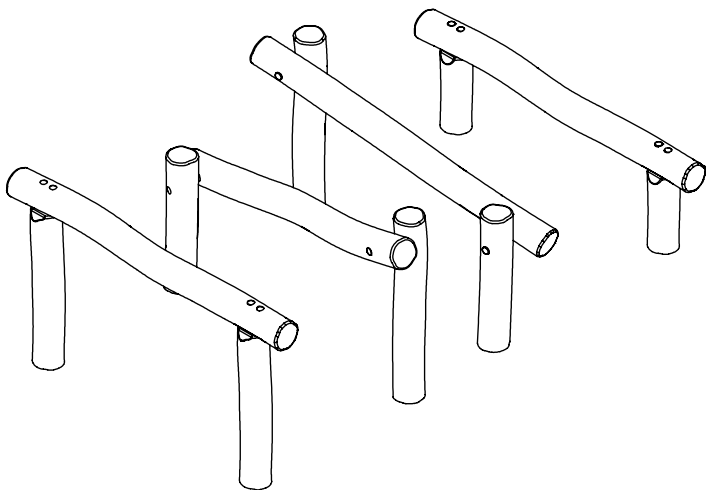
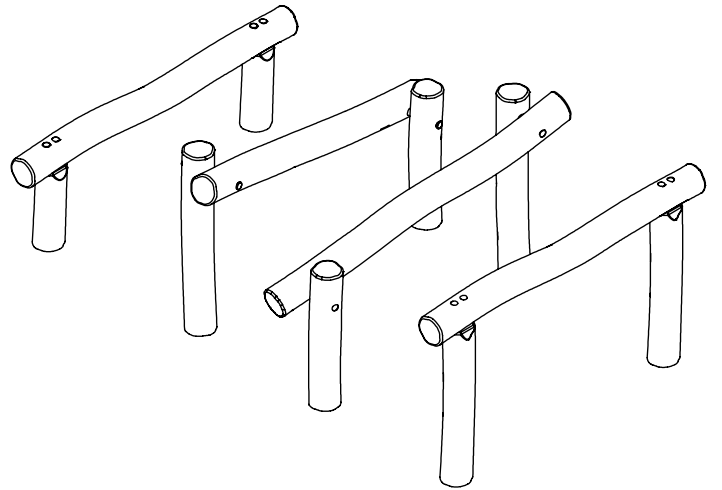
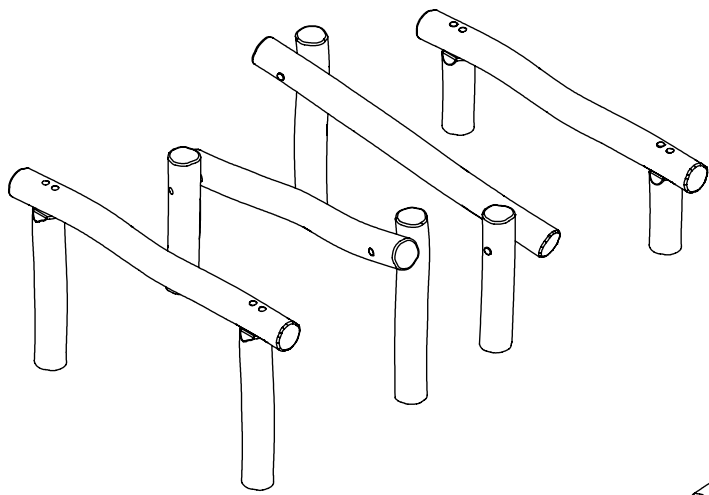


# RB1274



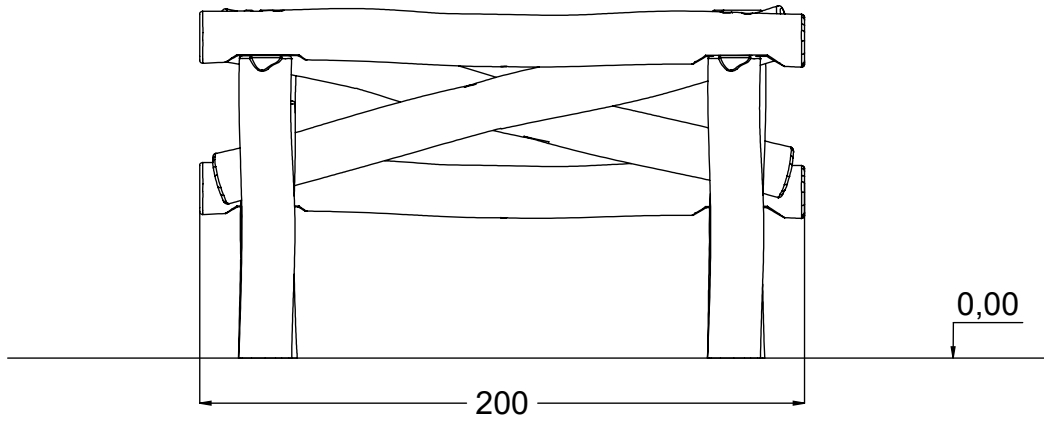
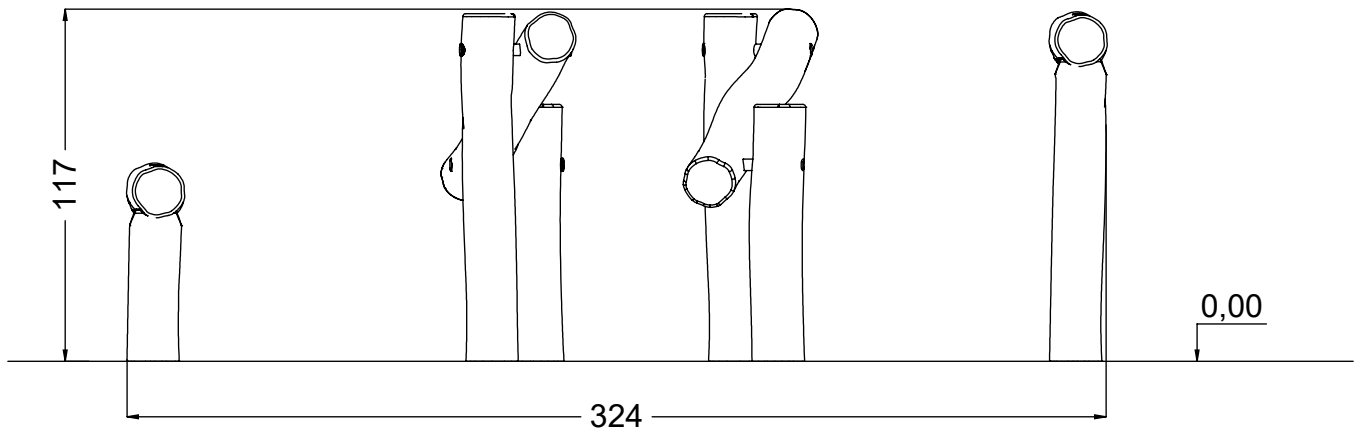
v010  
23.01.2021  
A. P.  
[cm]

vinci  
play



[cm]

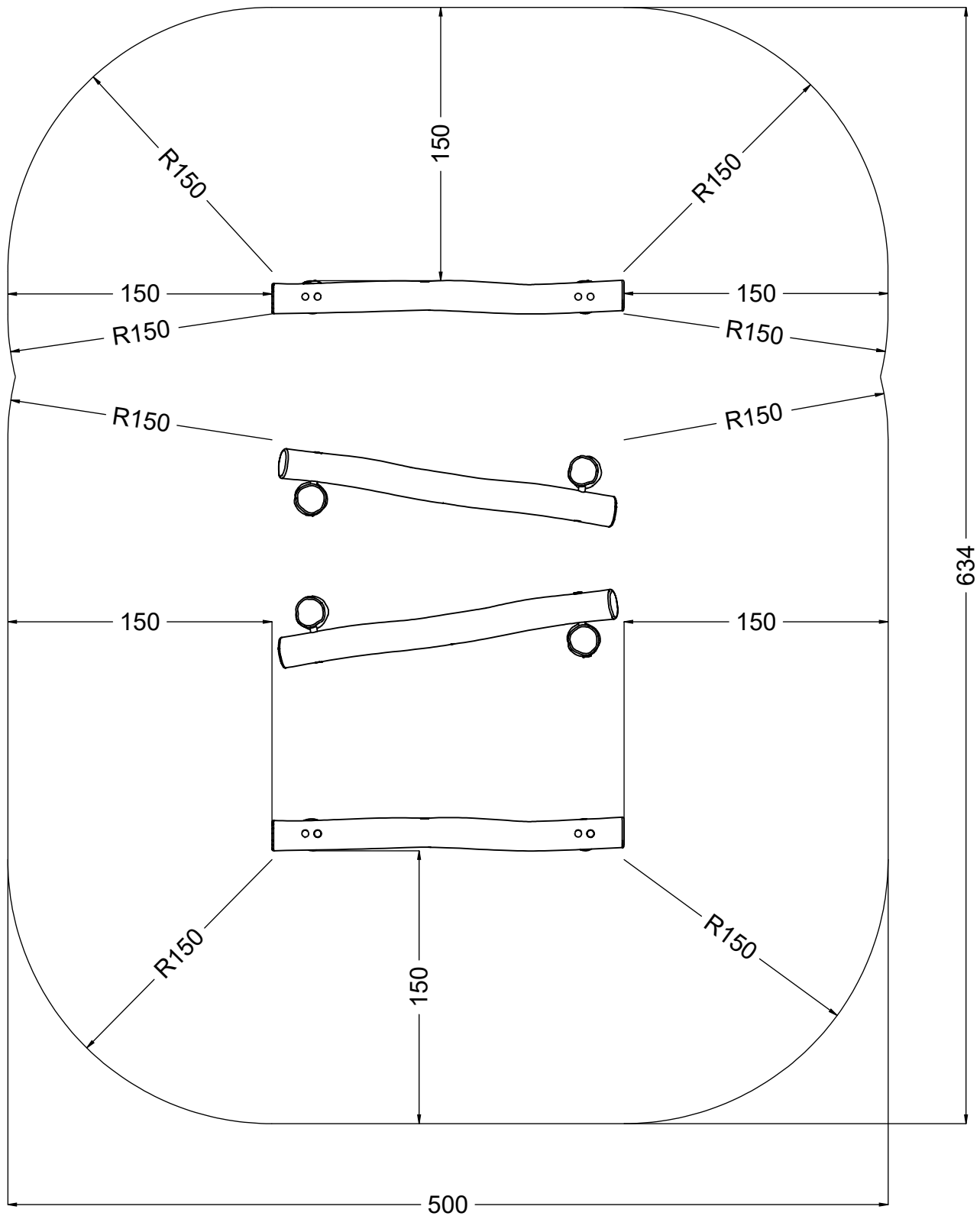
vinci  
play



[cm]



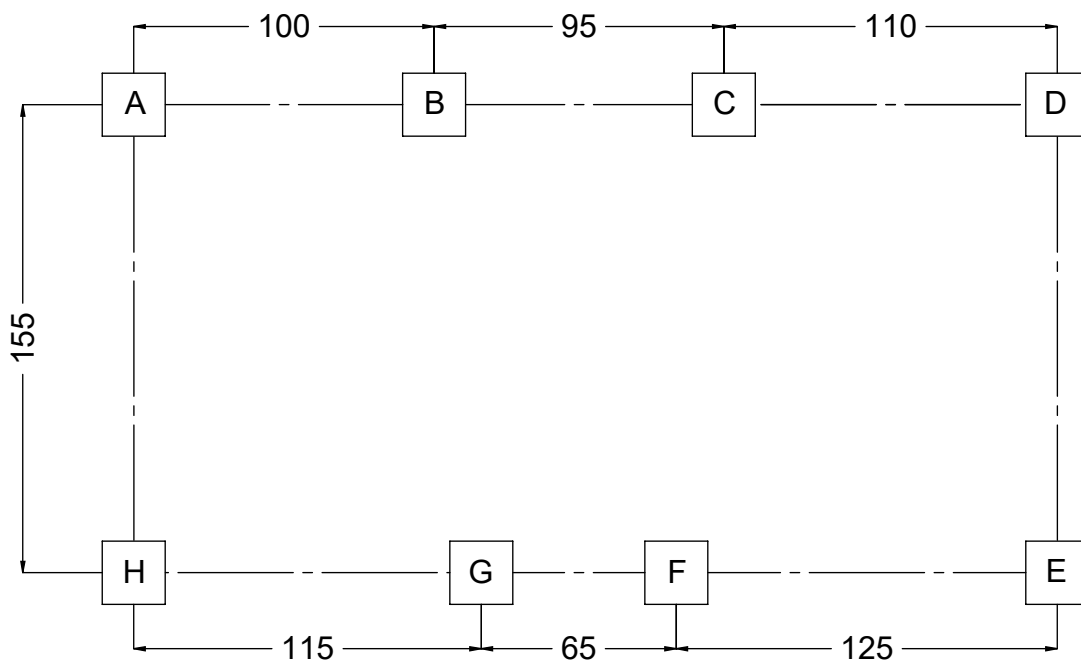
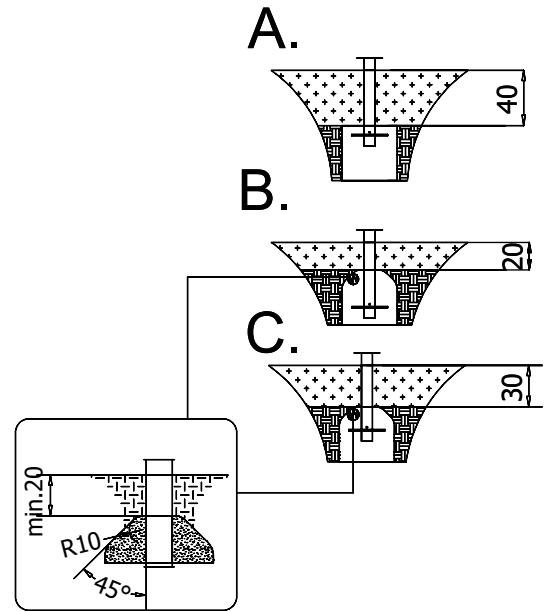
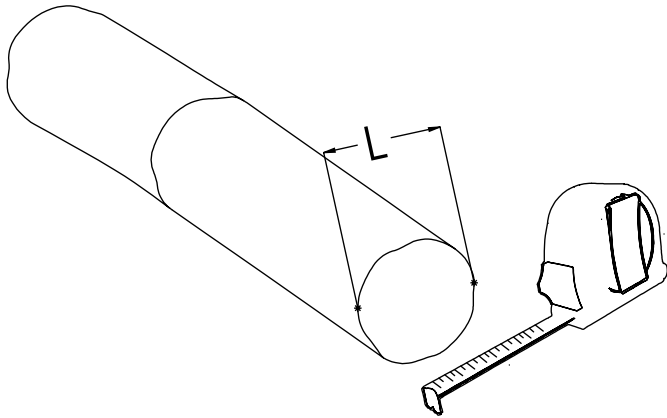
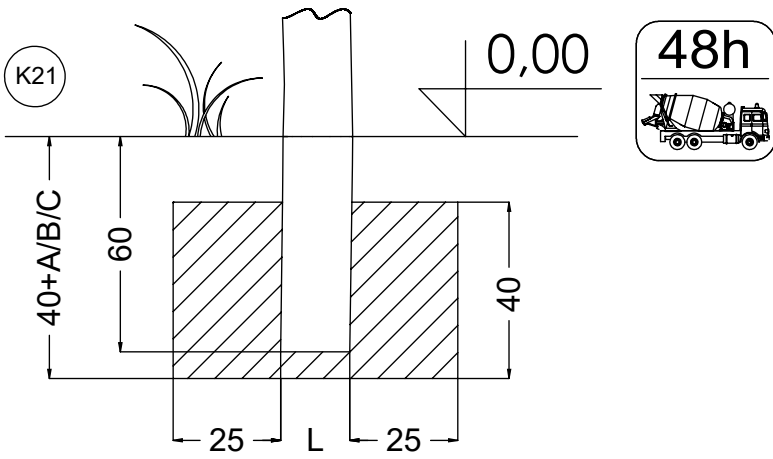
vinci  
play



[cm]



vinci  
play



[cm]



4h



>0,06m<sup>3</sup>

vinci  
play



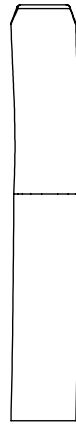
127351 (A,H)  
x2



127345 (B,F)  
x2



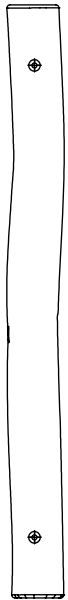
127350 (C,G)  
x2



127344 (D,E)  
x2



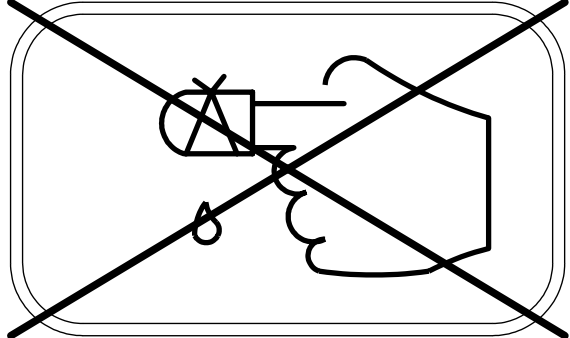
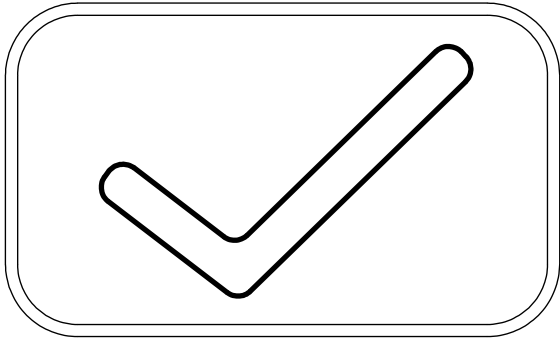
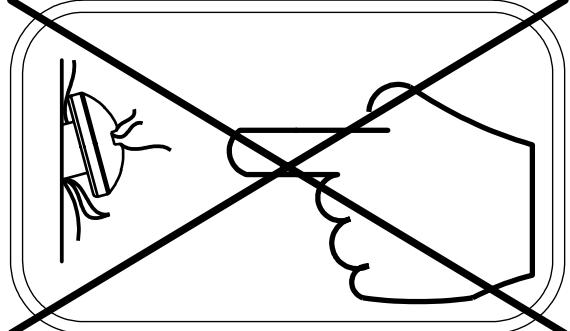
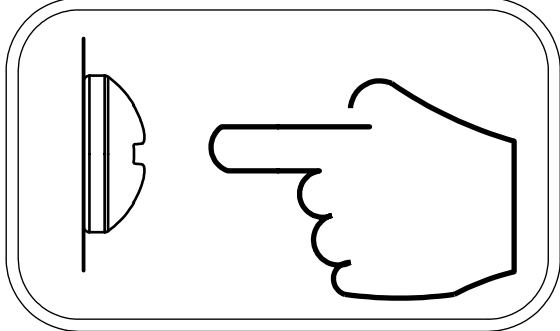
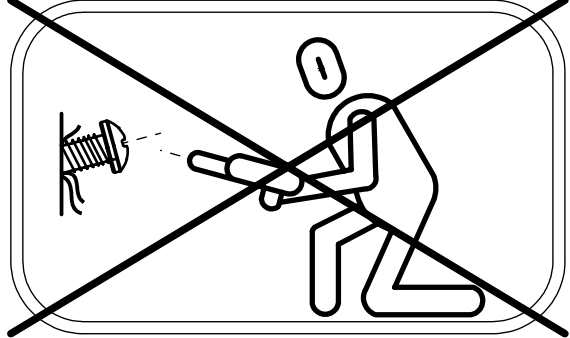
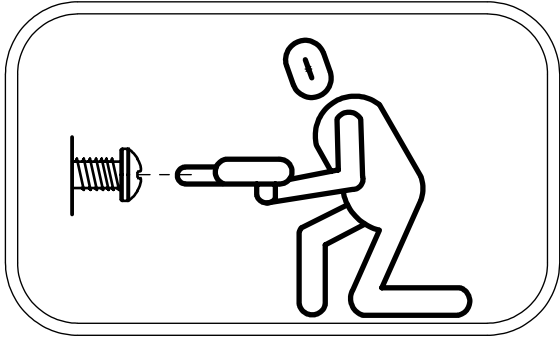
127353  
x2

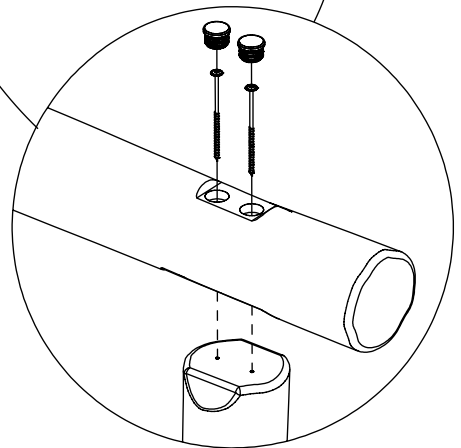
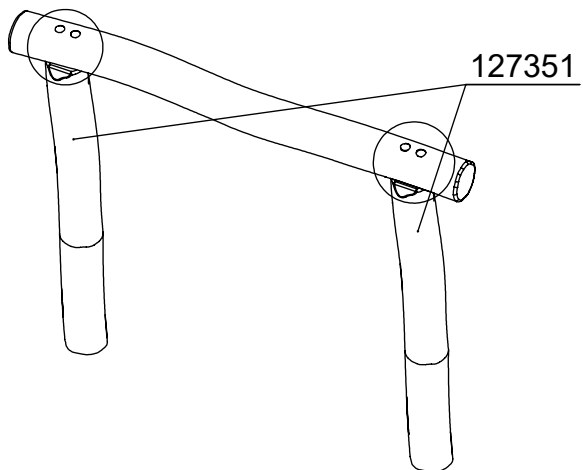
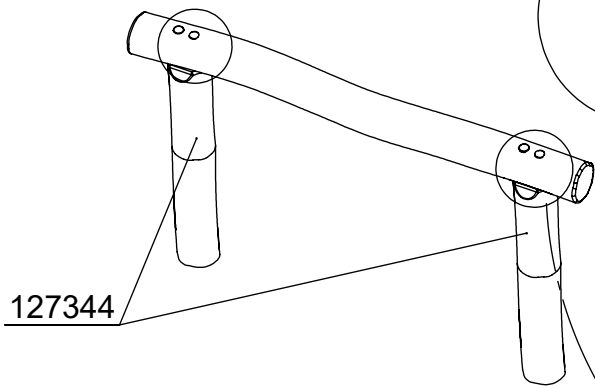
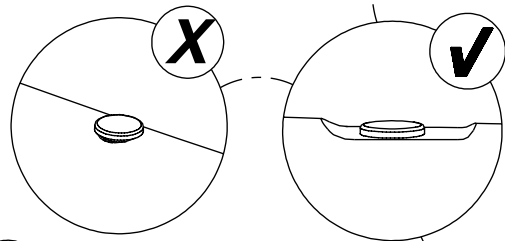
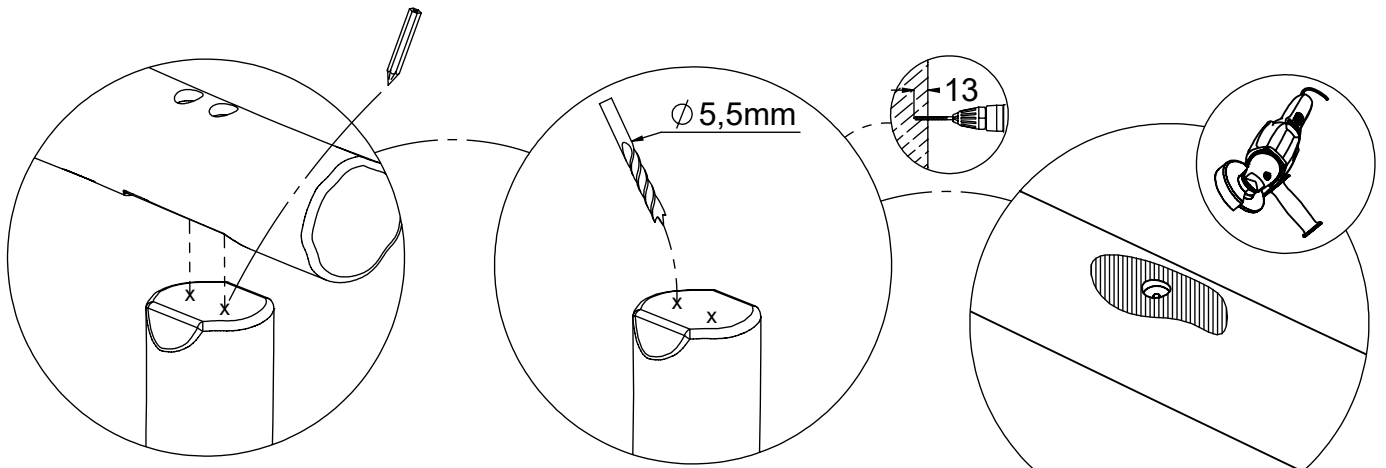


127352  
x2

2x	12e022
4x	12e028
1x	V001

8x	8x280sxt



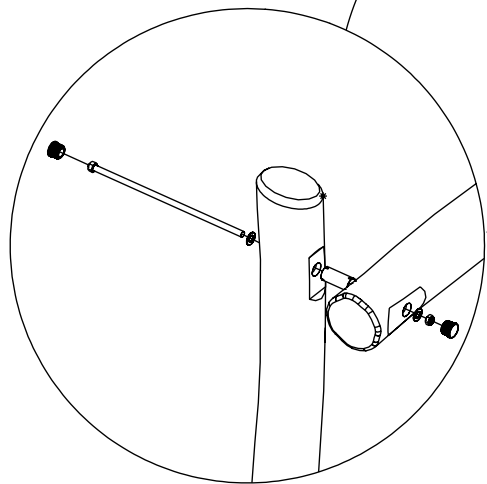
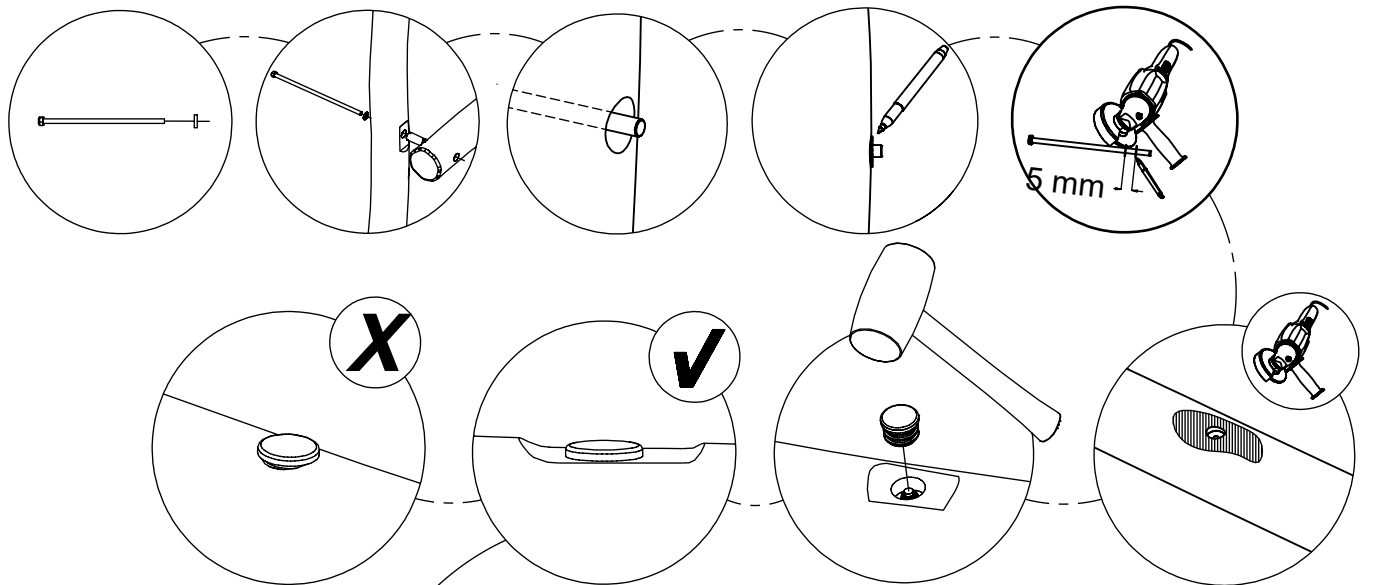


8x **8x280sxt**

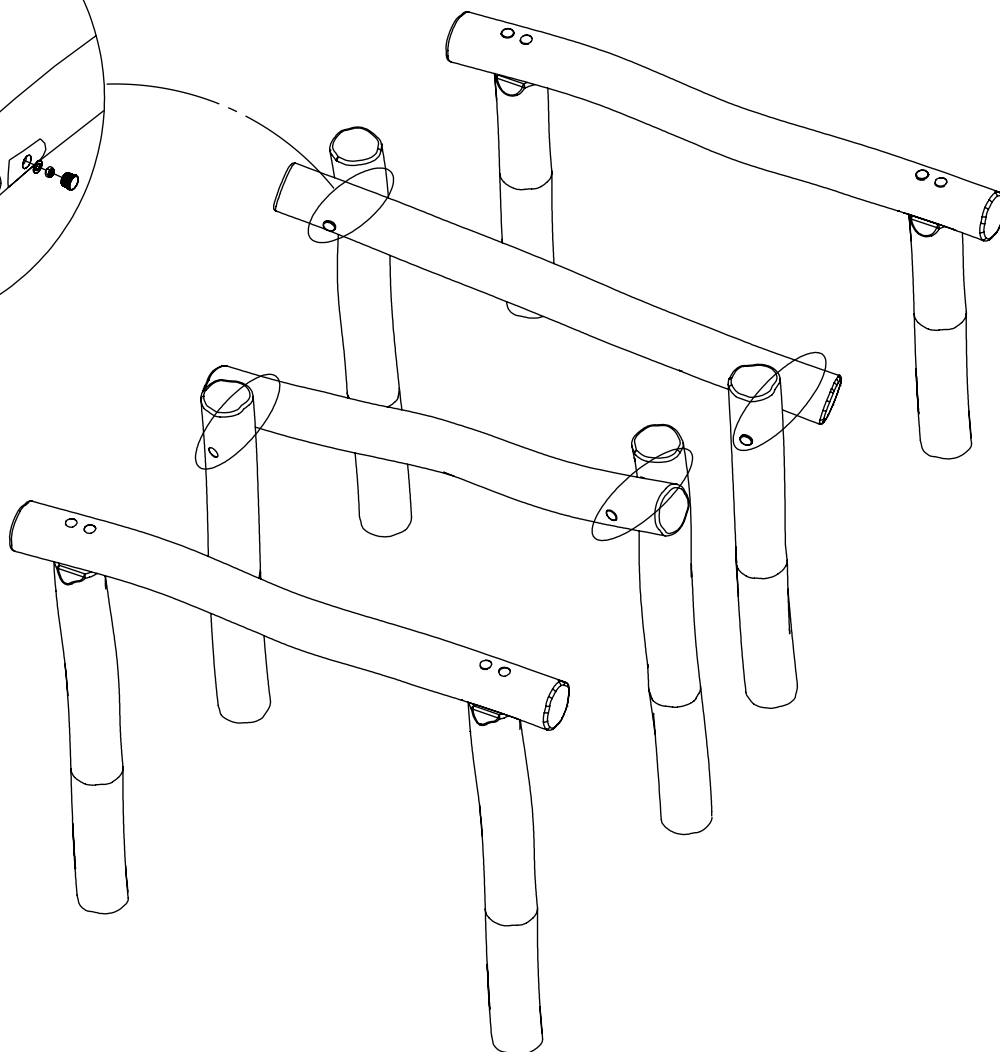
4x **12e028**

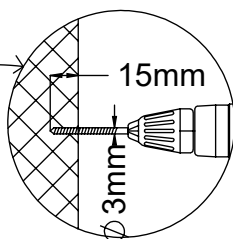
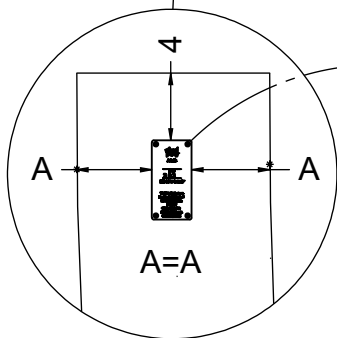
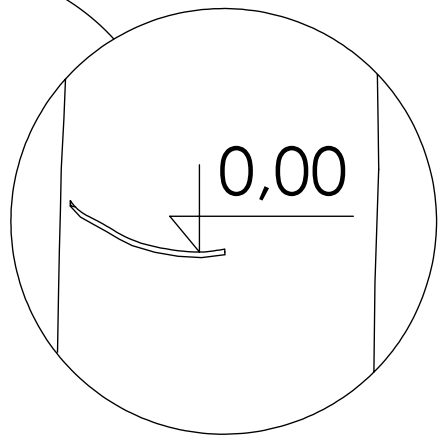
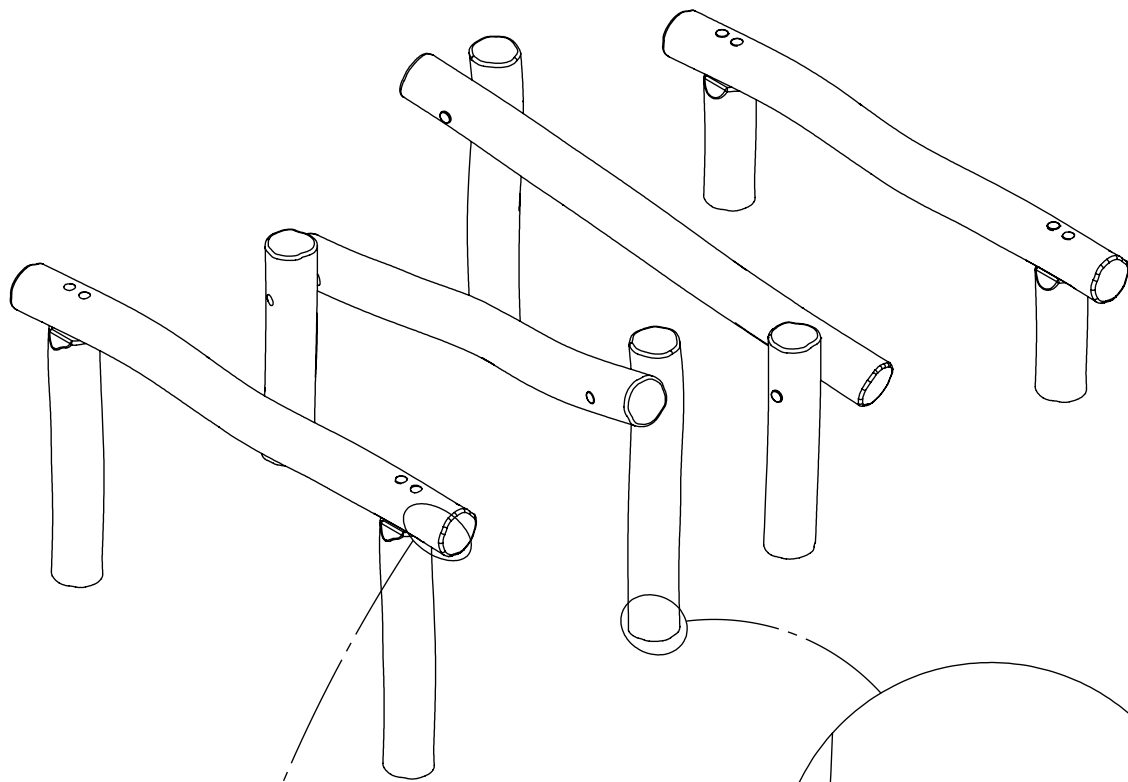
vinci  
play



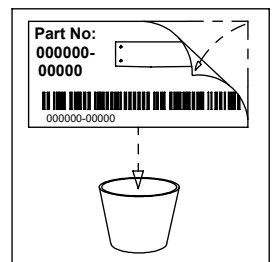


2x 12e022





V001



[cm]

vinci  
play