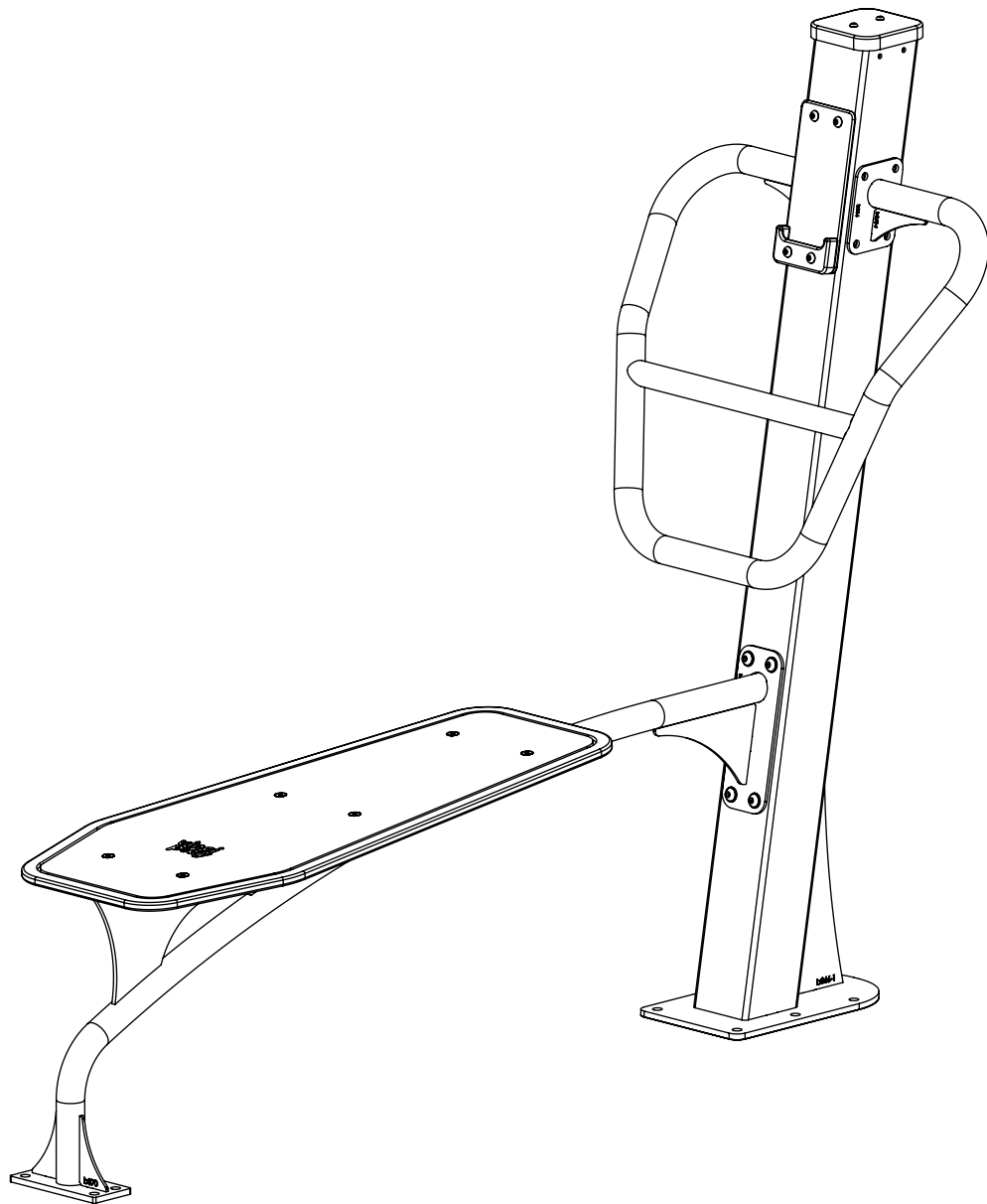


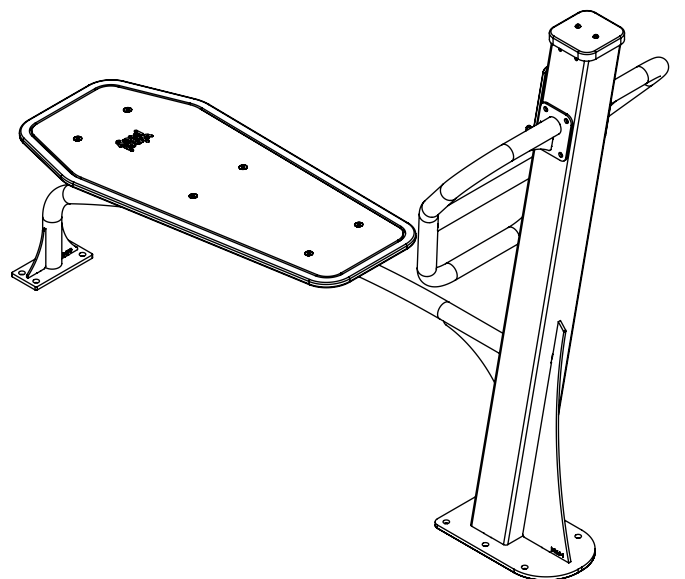
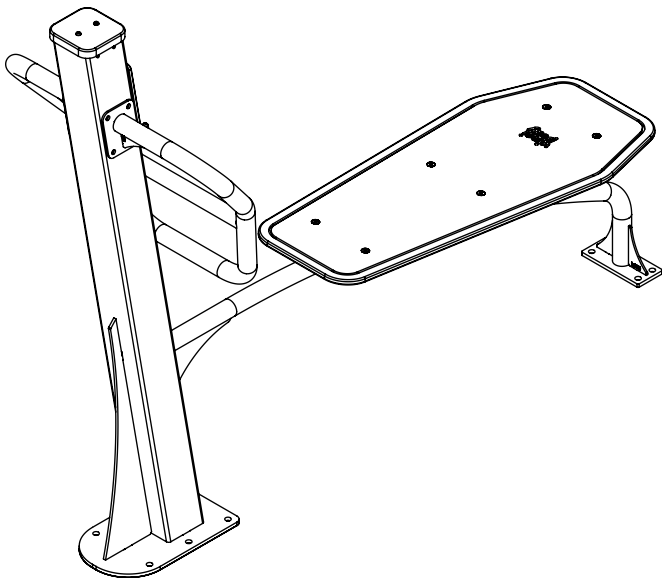
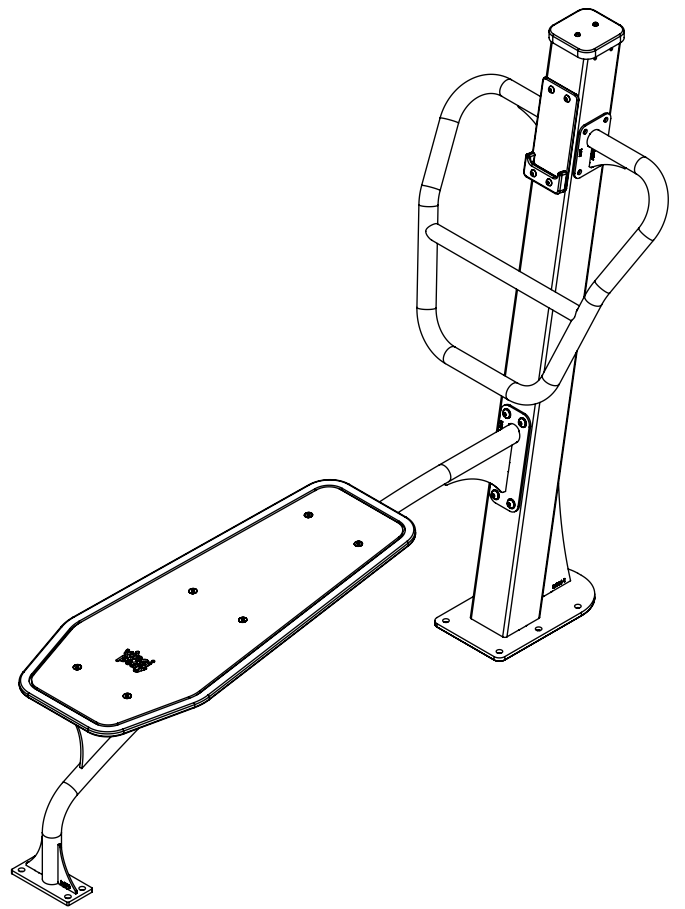
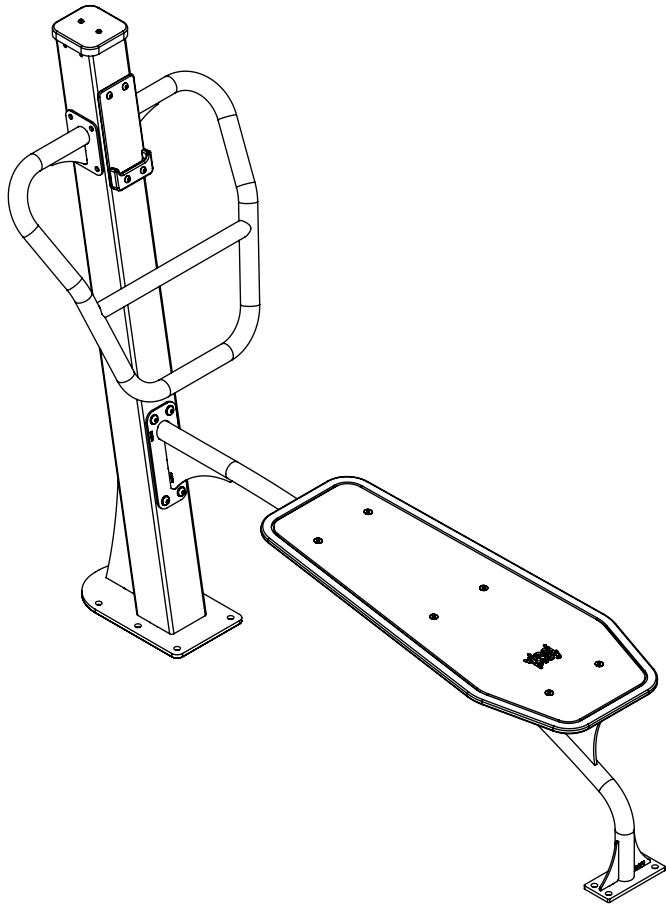
# 1103



v011  
21.04.2021  
A. H.  
[cm]

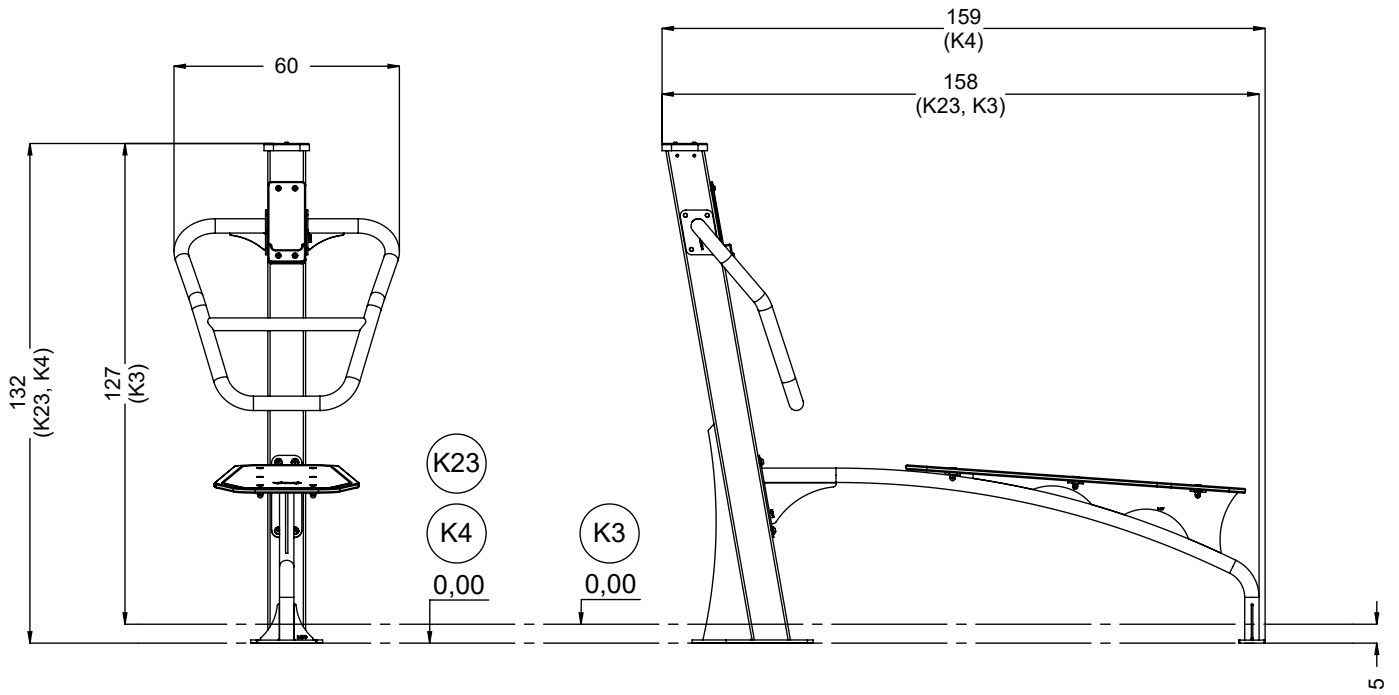


vinci  
play



[cm]

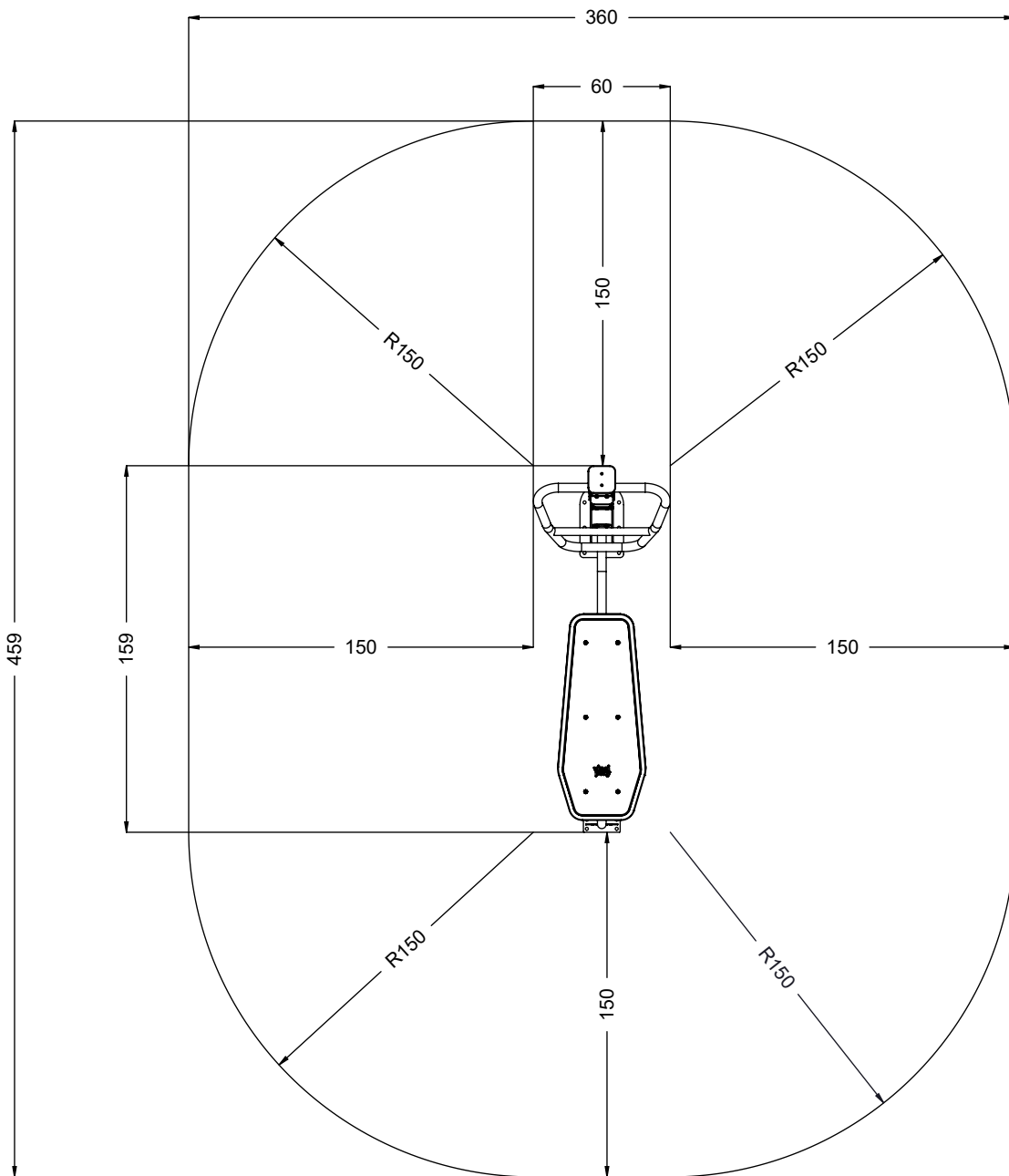
vinci  
play



[cm]



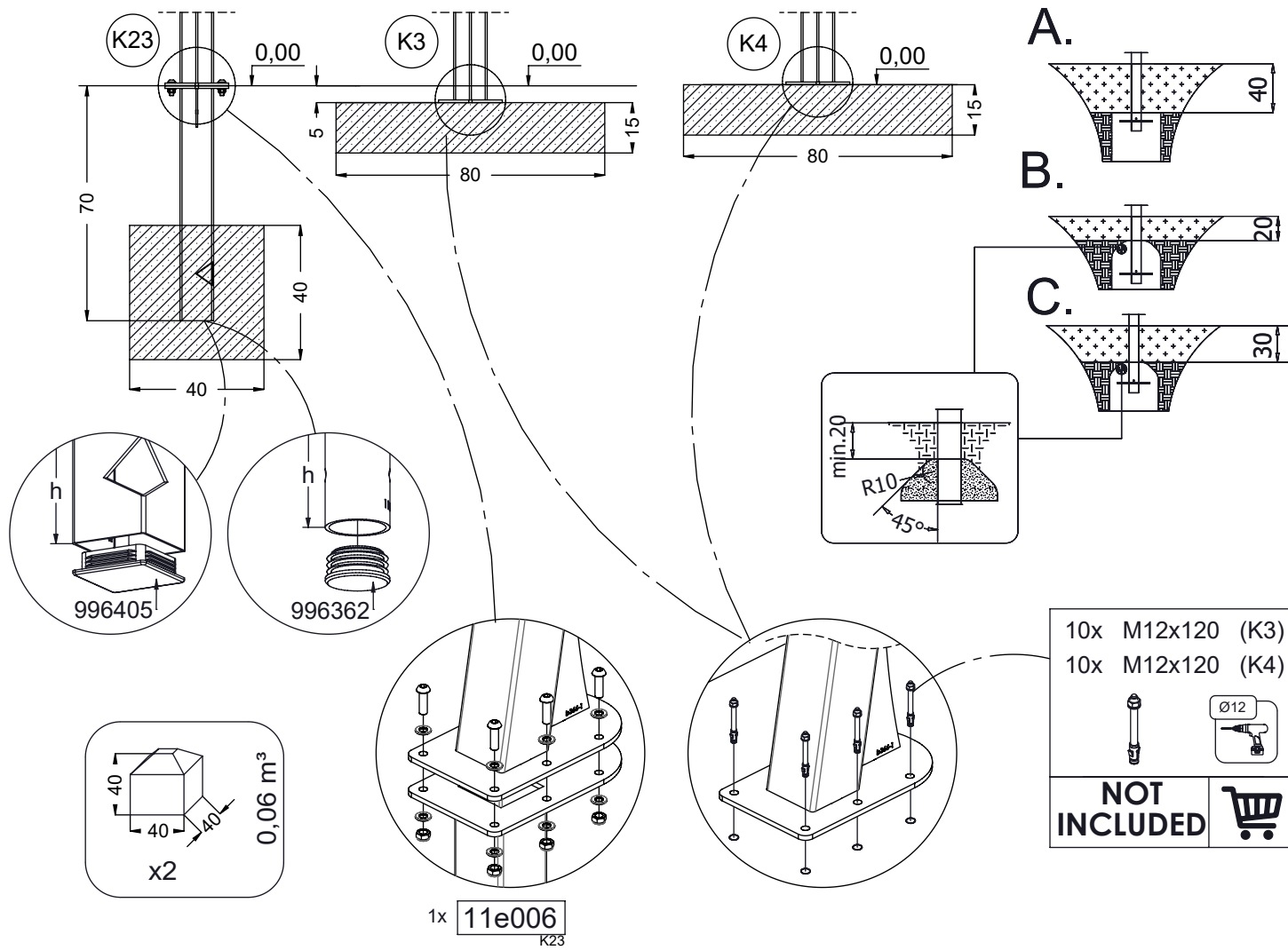
vinci  
play



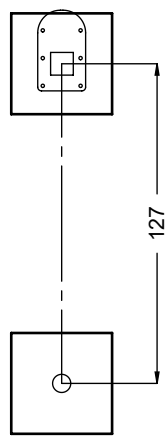
[cm]



vinci  
play

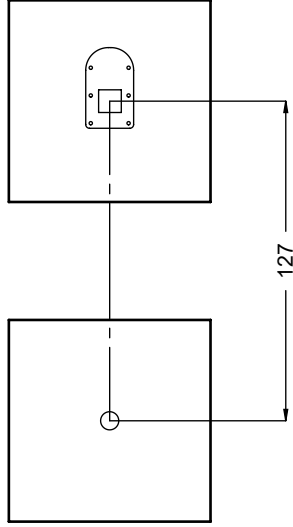


K23



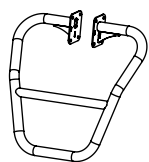
K3

K4



[cm]

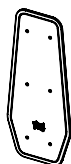
vinci play



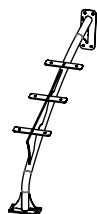
112119  
112164 (inox)  
x1



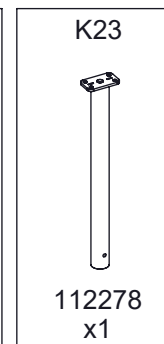
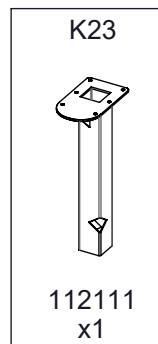
112136  
112165 (inox)  
x1



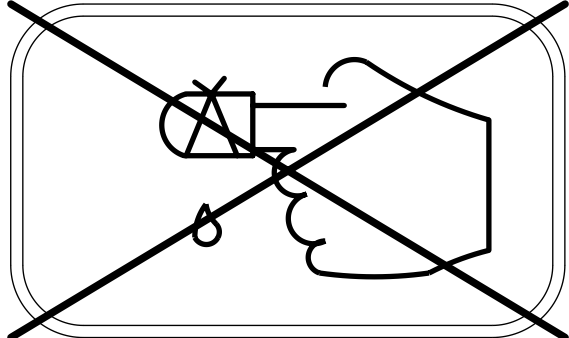
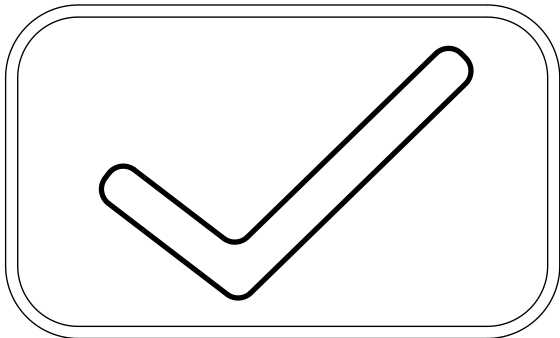
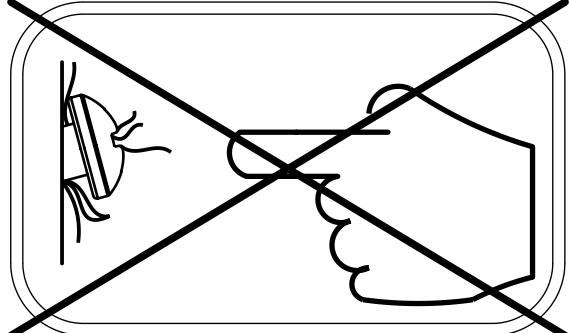
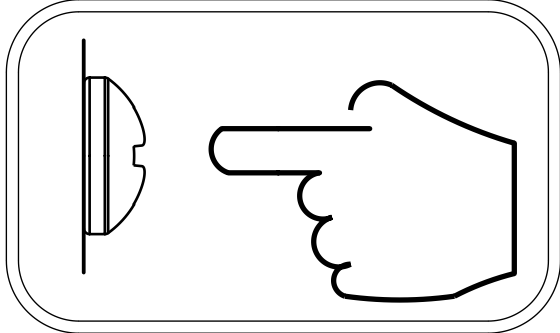
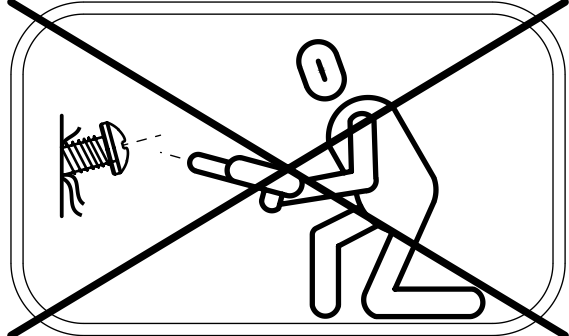
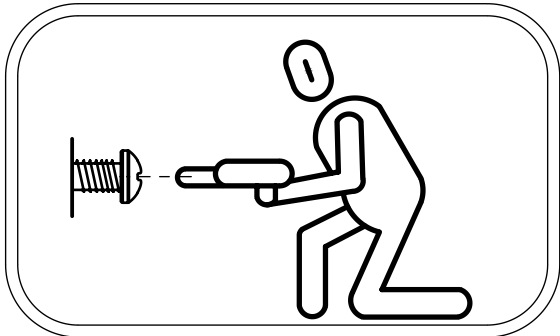
111107  
x1

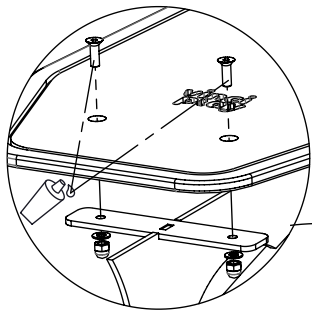


112166  
112168 (inox)  
x1

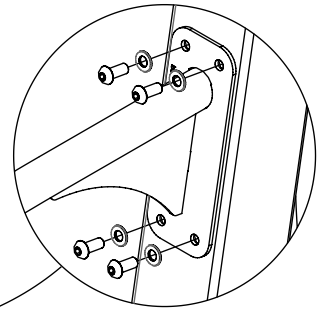
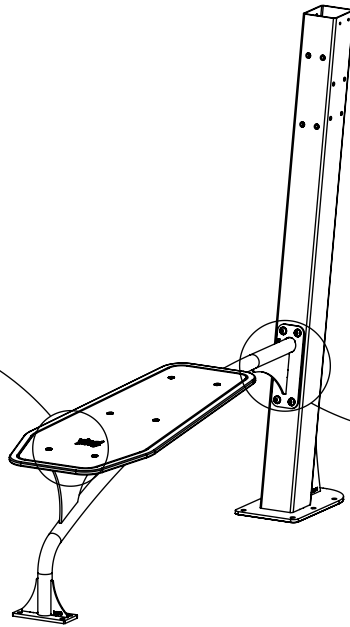


ST/INOX	
1x	11e006 (K23)
1x	11e019 (K23)
1x	996362 (K23)
1x	996405 (K23)
1x	11e001
1x	11e002
2x	11e004
1x	11e007
1x	11e008
1x	116103

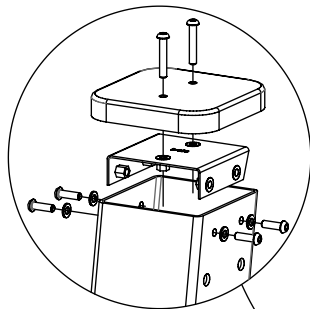




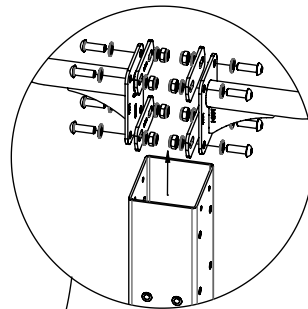
1x 11e007



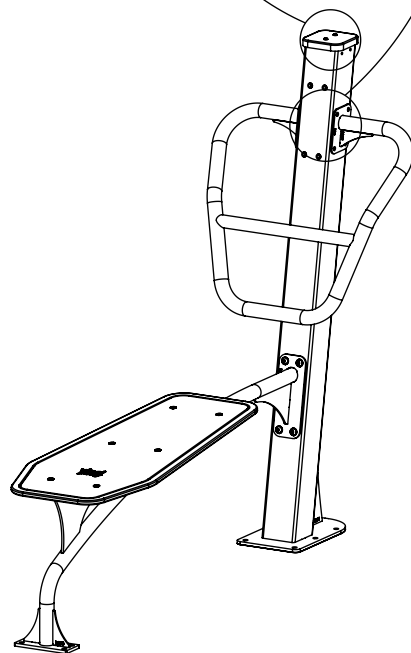
1x 11e008



1x 11e001



2x 11e004



[cm]



vinci  
play



