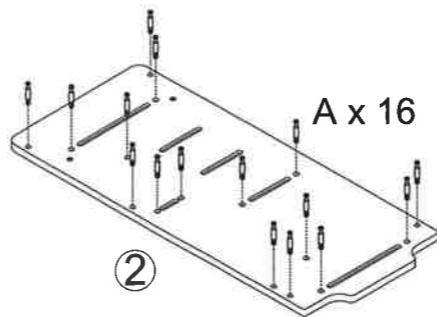
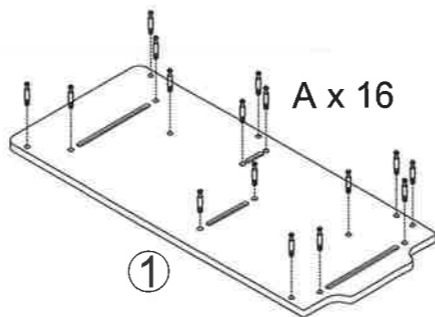
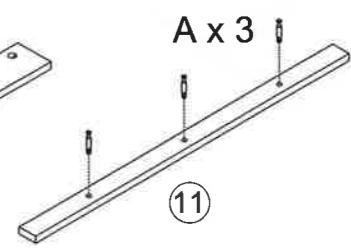
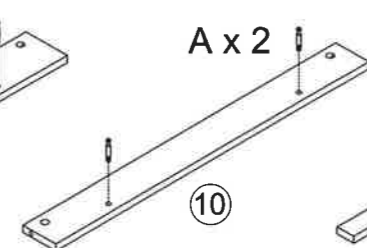
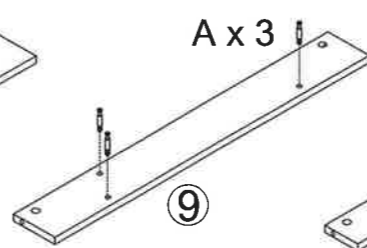
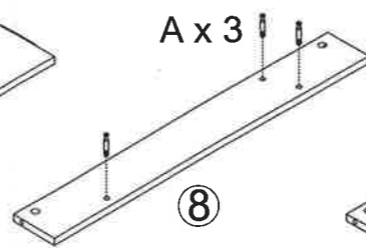
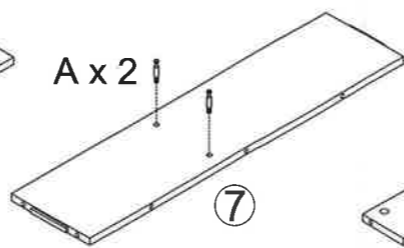
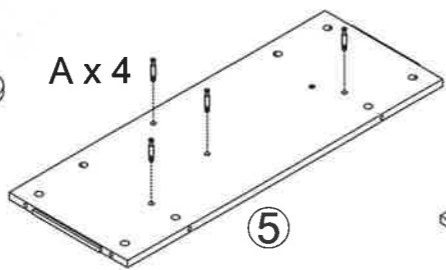
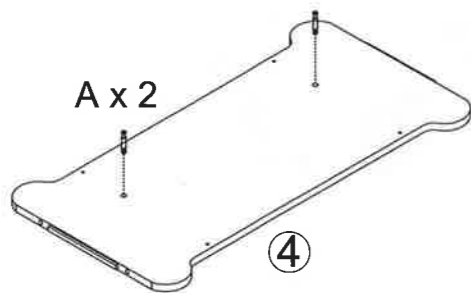
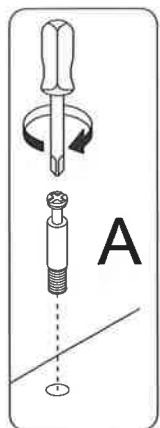
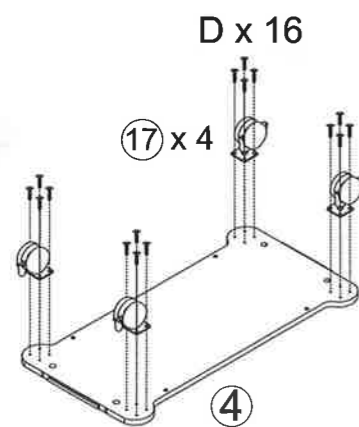
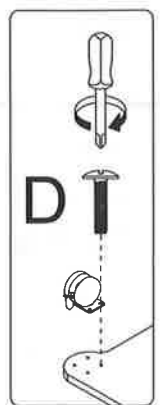


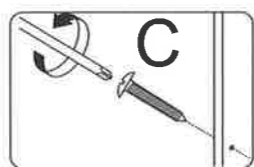
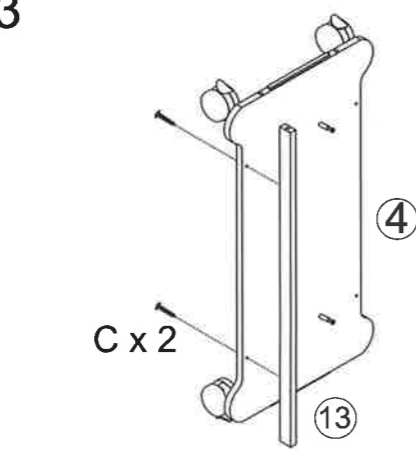
1



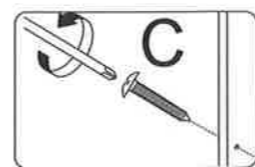
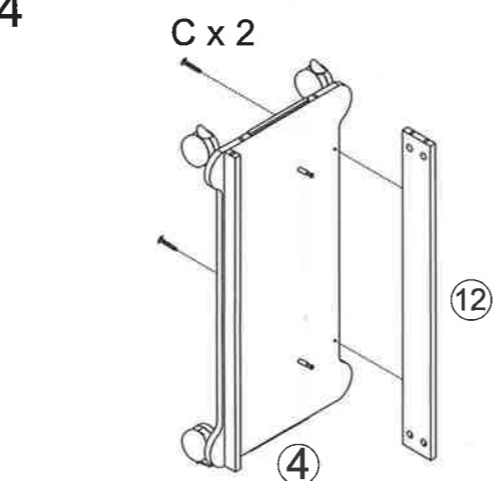
2



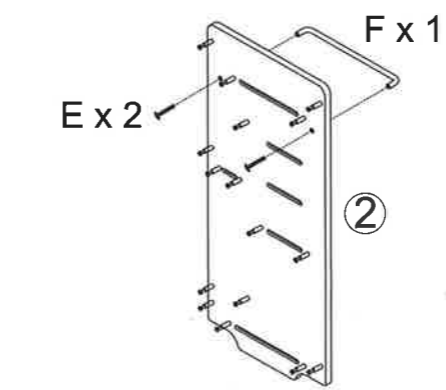
3



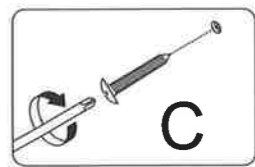
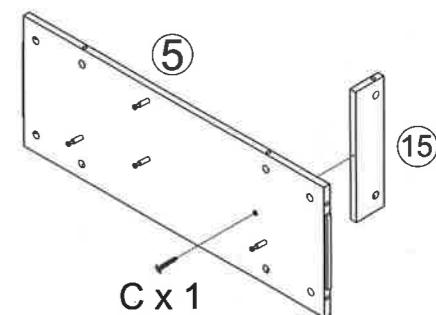
4



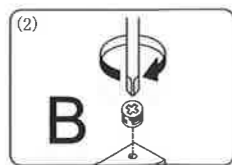
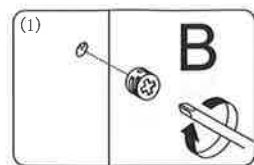
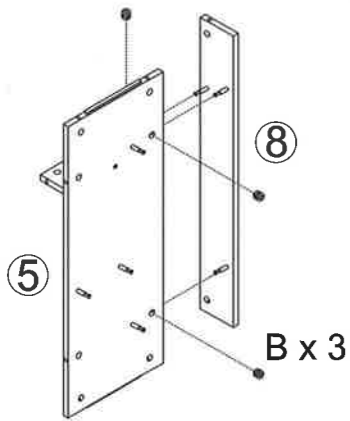
5



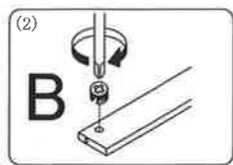
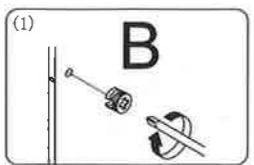
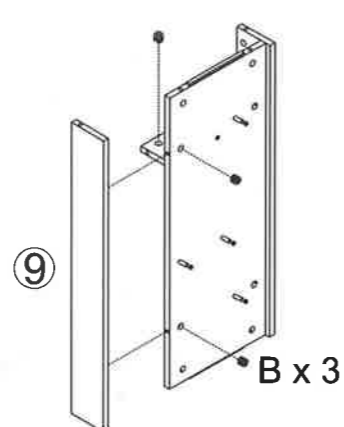
6



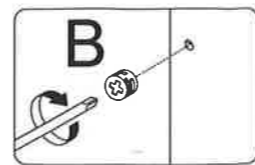
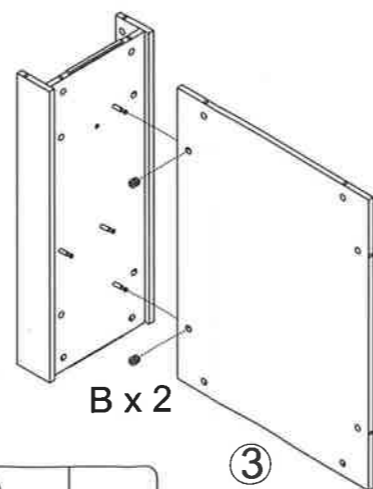
7



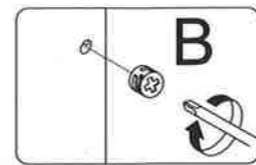
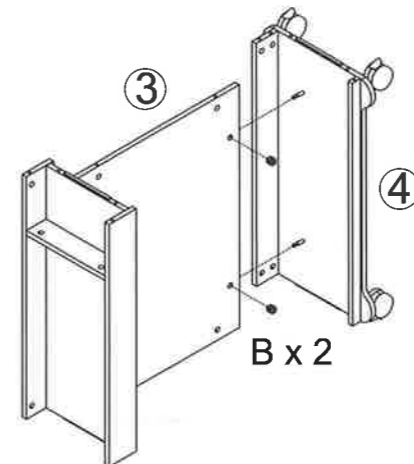
8



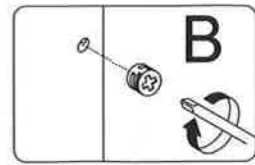
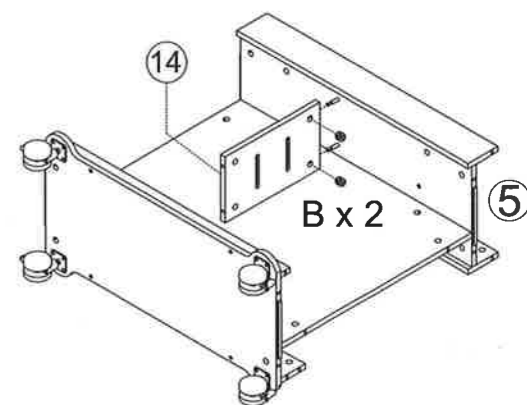
9

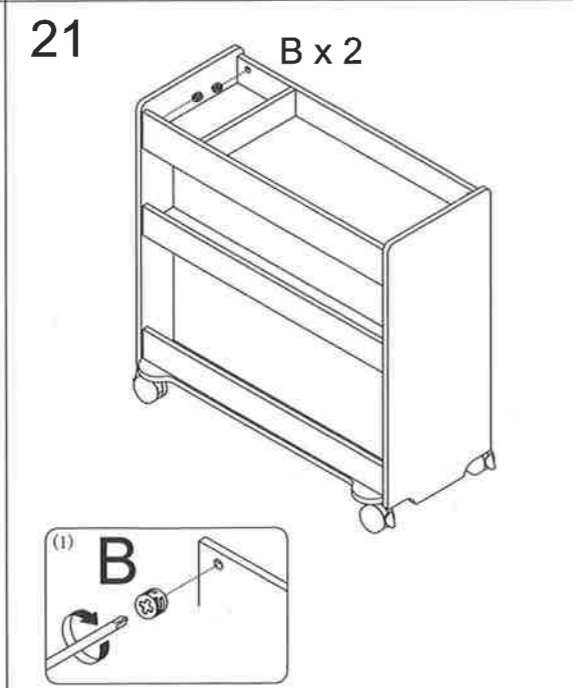
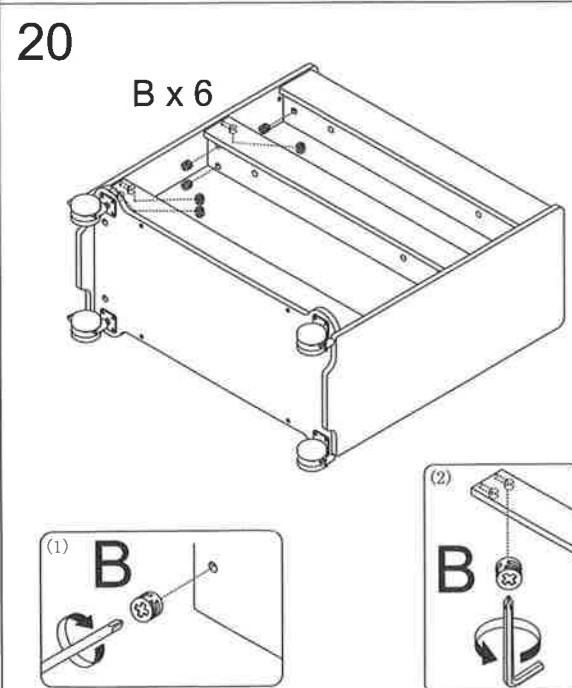
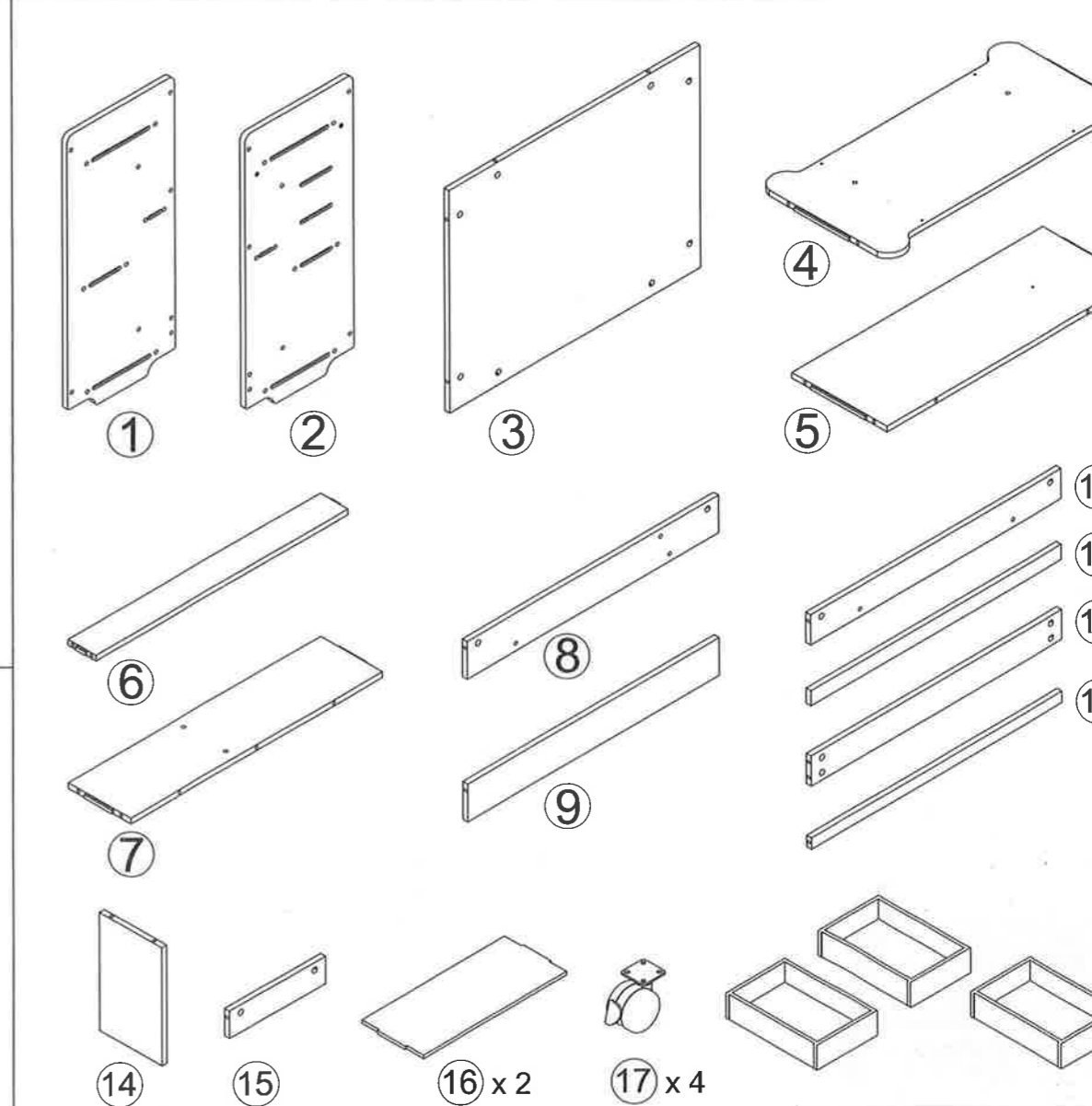
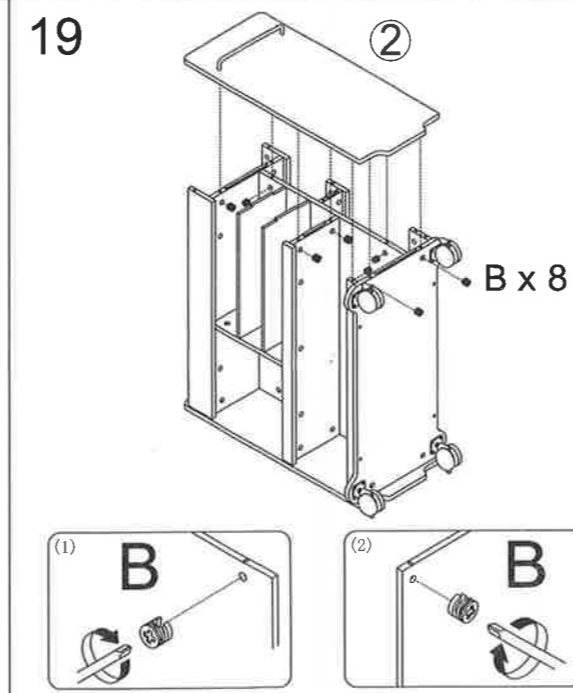
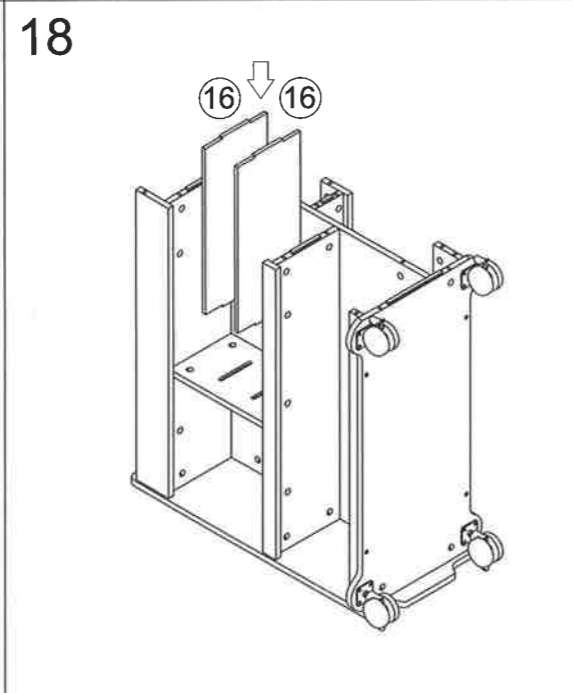
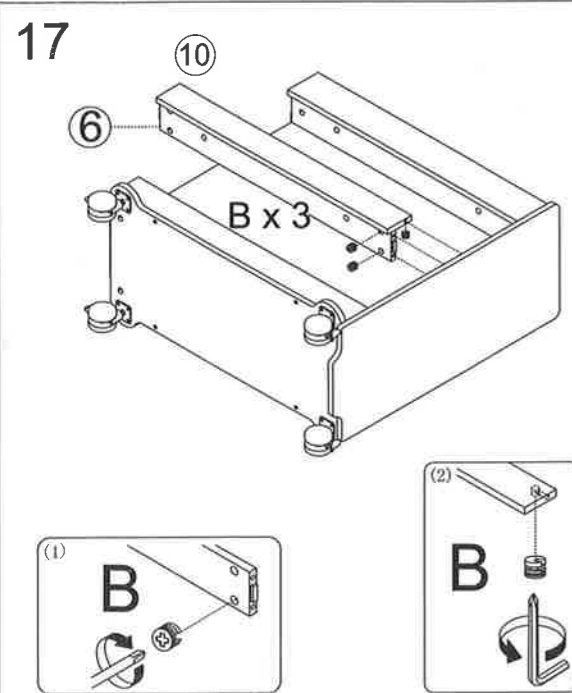
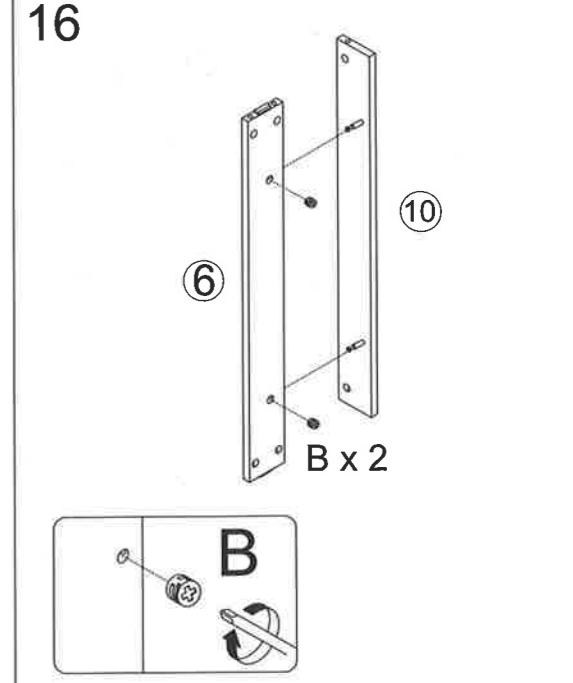
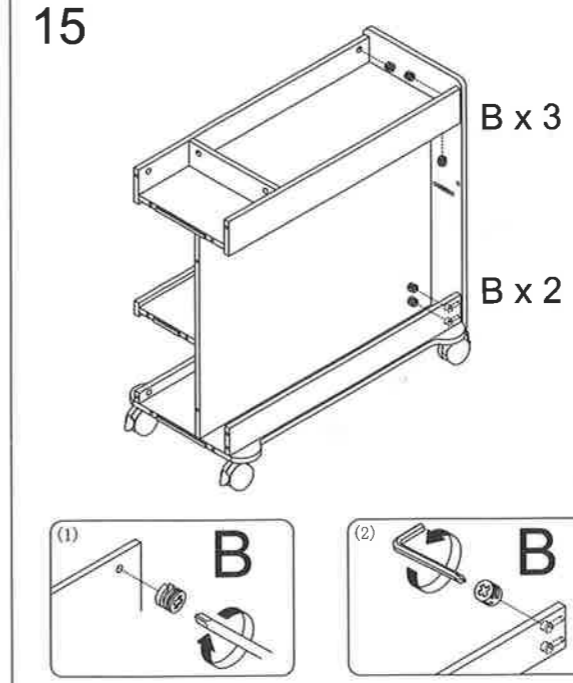
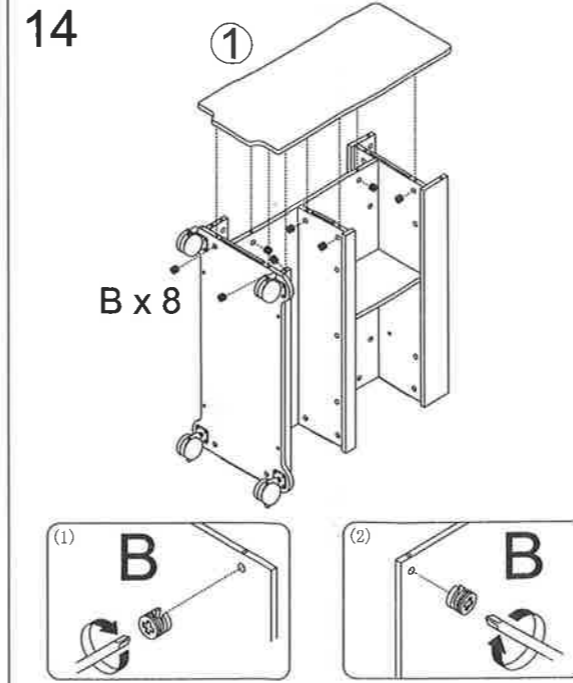
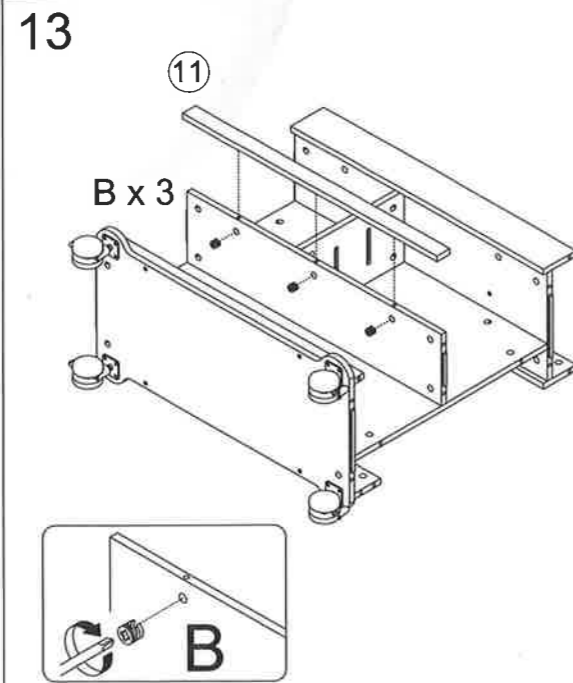
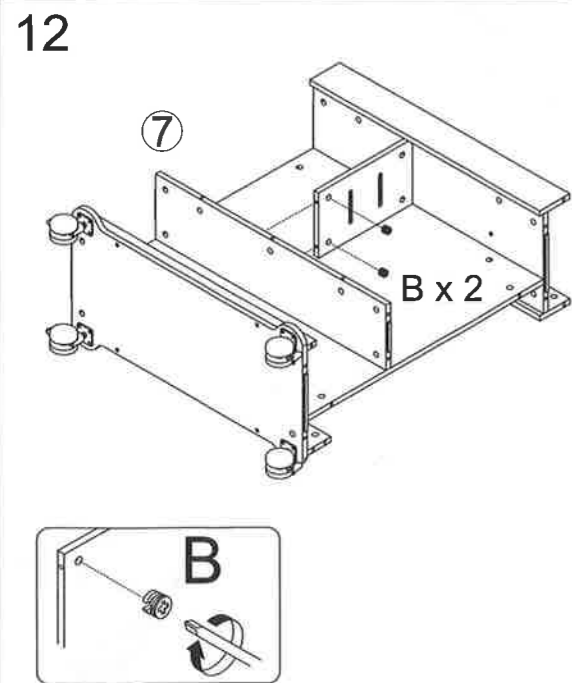


10



11





ME08190 201701

Accessories Included:

A x 51	B x 51	C x 5	D x 16	E x 2	F x 1	G x 1

Tool Required