

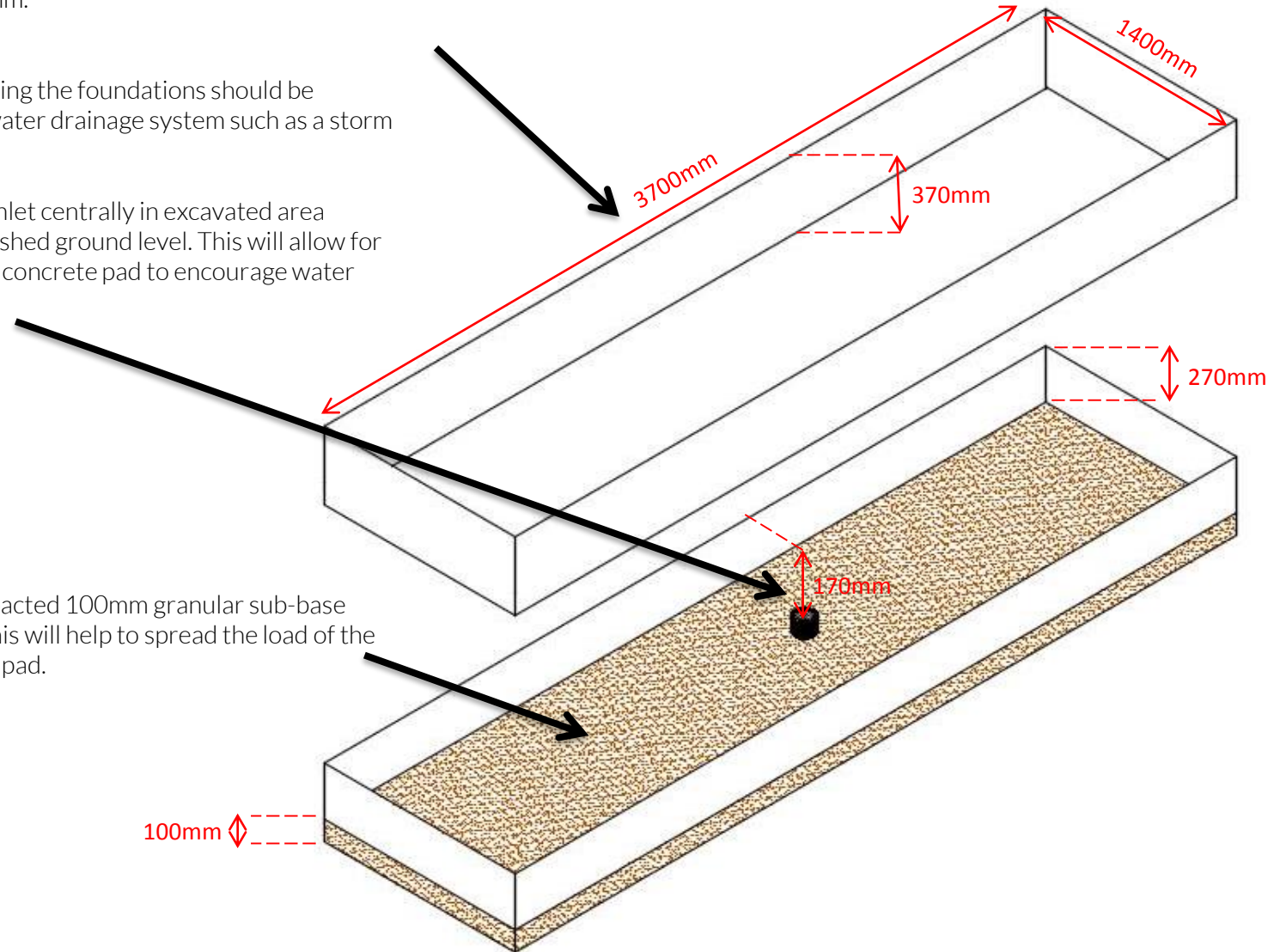
# Ground Works Piano 25 Notes

1. Excavate hole below finished installation level (including surfacing) with dimensions of 3700mm x 1400mm x 370mm.

2. To prevent flooding the foundations should be connected to a rainwater drainage system such as a storm drain or soakaway.

3. Install drainage inlet centrally in excavated area 170mm from finished ground level. This will allow for a slight fall in the concrete pad to encourage water run-off.

4. Lay a level compacted 100mm granular sub-base over a geo-textile. This will help to spread the load of the concrete installation pad.



## Ground Fixed

Piano Chimes  
25 Notes 1 of 3

Metric Conversion:  
100mm/4"  
170mm/6 11/16"  
270mm/20 55/64"  
370mm/14 9/16"  
1400mm/55 1/8"  
3700mm/145 43/64"



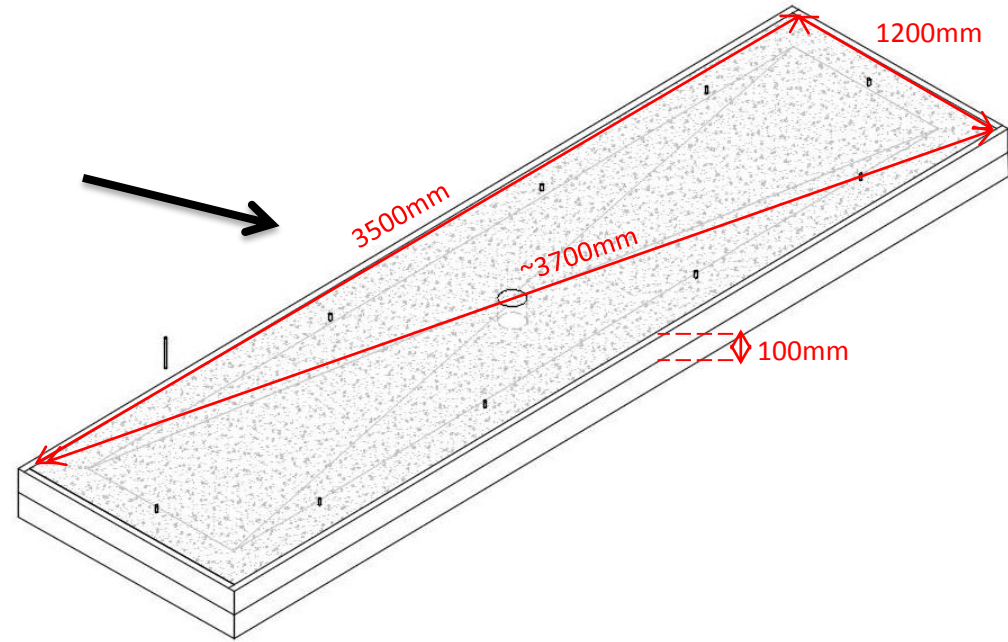
MADE IN  
BRITAIN

BSEN 1176

## Ground Fixed

Piano Chimes  
25 Notes 2 of 3

- Create timber shuttering on top of compacted sub-base with an internal area of 3500mm x 1200mm x 100mm.
  - Note – finished height to top of shuttering should be 180mm below finished installation level (including surfacing).
  - To ensure shuttering is square, internal diagonal measurements should be ~3700mm.



- Install A142 steel reinforcing mesh (or similar) on 50mm plastic or steel supports or “chairs” to hold mesh vertically centred in shuttering area.
- Install the supplied installation studs jig on top of steel mesh and centre between shuttering and affix in place using cable ties (to ensure no movement when concrete is poured).
  - Note – threaded studs must be covered when concrete is poured to ensure threads do not get concrete on them.
  - Threads should protrude 30mm from top of shuttering.

M10x80mm Studs 8.8 HT BZP fixed to Jig rests on mesh

SHUTTERING

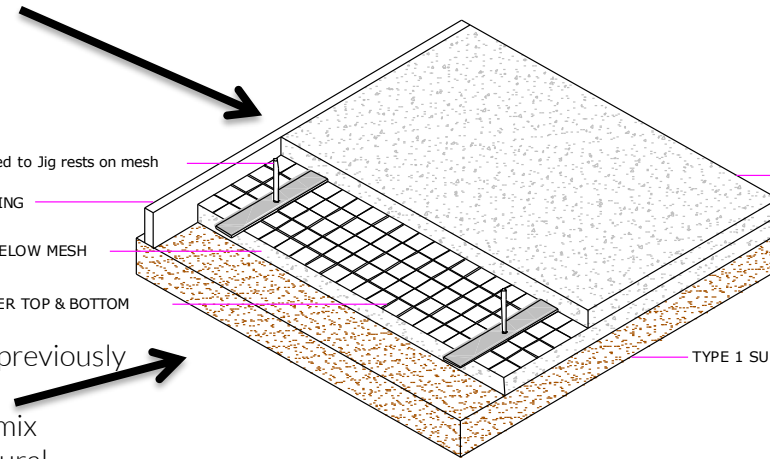
50mm CONCRETE BELOW MESH

A142 MESH MIN 50mm COVER TOP & BOTTOM

50mm CONCRETE ABOVE MESH

TYPE 1 SUB BASE

- Pour 100mm depth concrete pad and create slight fall to previously fitted drainage inlet.
  - Consider mixing reinforcement fibres in concrete mix predominantly for crack control rather than structural strengthening.
  - Allow to poured concrete pad to cure for 24-72 hours before proceeding to next step.
  - Remove shuttering after 24-72 hours.



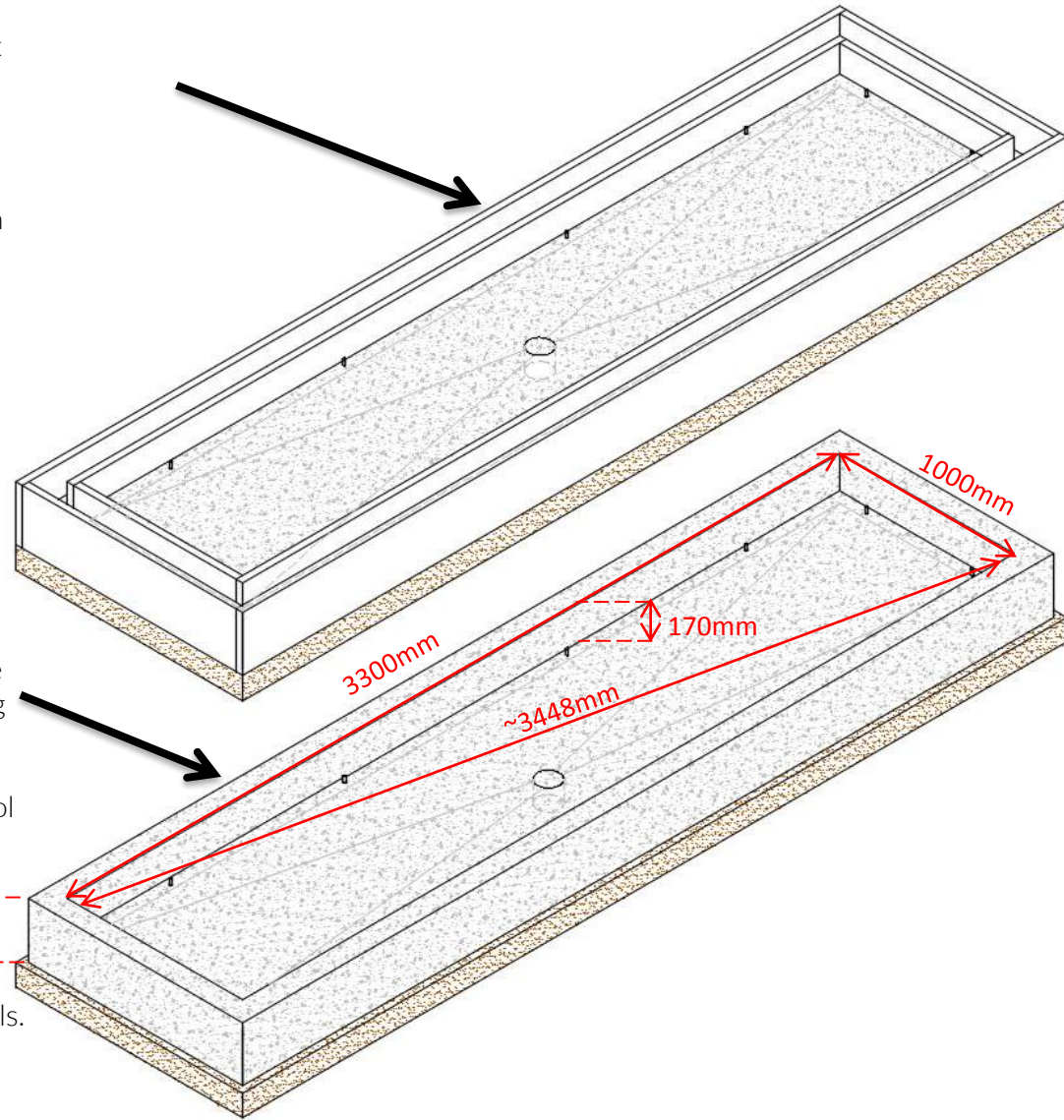
Metric Conversion:  
 100mm/ 8"  
 1200mm/ 47 1/4"  
 3500mm/ 137 51/64"  
 3700mm/ 145 43/64"

# Ground Works Piano 25 Notes

## Ground Fixed

Piano Chimes  
25 Notes 3 of 3

9. Create timber shuttering onto concrete pad to cast concrete walls to create an internal area (after shuttering has been removed) of 3300mm x 1000mm x 170mm.
  - Note - finished height to top of shuttering should be 10mm below finished installation level (including surfacing).
  - To ensure shuttering is square, external diagonal measurements should be ~3448mm.



10. Pour concrete between shuttering to cast concrete walls and ensure walls are filled to top of shuttering and level.
  - Consider mixing reinforcement fibres in concrete mix predominantly for crack control rather than structural strengthening.
  - Remove shuttering after 24-72 hours.

11. Backfill with soil or aggregate around external walls.
12. We recommend allowing concrete to cure for a minimum of 1 week prior to installing Floor Piano.

Metric Conversion:  
 170mm/ 6 11/16"  
 270mm/ 10 5/8"  
 1000mm/ 39 3/8"  
 3300mm/ 129 59/64"  
 3448mm/ 135 3/4"