

SWING ST1422



1-3/3-14



2 kids



21,5 m²

R1



R2



R3



R5L



R16



Material specification

- Stainless steel, hot-dip galvanized and powder coated or powder galvanized and powder coated steel construction of 80 x 80 cm profile,
- Hot-dip galvanized and powder coated or powder galvanized and powder coated or stainless steel construction elements,
- Attested, safe seats,
- Calibrated stainless steel chains, preventing fingers entrapment,
- Stainless steel swing fittings,
- Stainless steel screws and/or screws covered with plastic caps,
- Safe end caps on the top of the bar, made of durable HDPE plate, resistant to weather conditions,

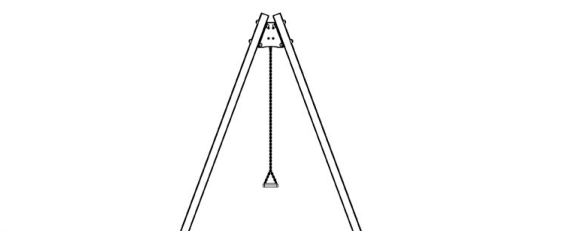
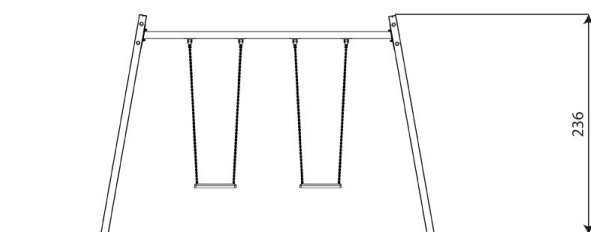
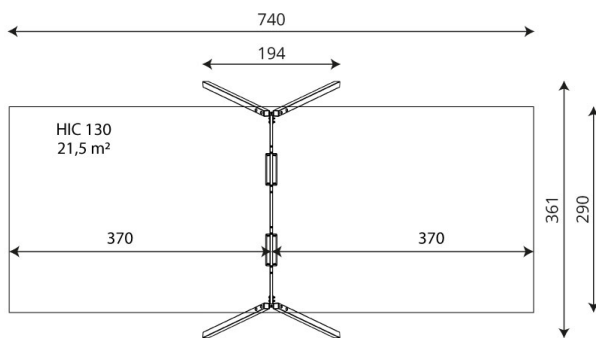


Physical development



rocking





Product technical sheet

SWING ST1422

Product data

Length	194 cm
Width	361 cm
Total height	236 cm
Age group	1-3/3-14 years
Number of users	2 kids
Safety zone	21,5 m ²
Free fall height	130 cm
In accordance with norm EN	1176-1:2017
Weight of the heaviest part	15 kg
Dimensions of the largest part	300x8x8 cm
Availability of spare parts	YES
Installation time	2 h
Color options	

Data is subject to change without prior notice.

Additional information

- equipment intended for public playgrounds;
- equipment has a certificate issued by an accredited entity or a declaration of conformity;
- available types of seats in the swing: R1-flat, R2-basket, R3-flat belt, R5-flat with barrier;
- no sharp edges or chinks that would pose a danger of jimmie the head, fingers or any other body parts;
- anchoring on flat surface, 80/70/60 cm deep;
- render is for reference only, the actual appearance of the equipment and its color may vary;

Guarantee

- 30** 30 year guarantee - Structural strength of steel and stainless steel components
- 15** 15 year guarantee - Structural failure of steel and stainless steel, for dynamic equipment
- 10** 10 year guarantee - Structural failure of high density polyethylene and high pressure laminates components
- 5** 5 year guarantee - Corrosion of stainless steel and hot dip galvanized and powder coated components; against bark beetles and rot in case of wooden structural elements

Detailed information in the guarantee card



SWING ST1422

Surfaces according to EN 1176-1:2017

	Description (mm)	Layer thickness (cm)	Maximum fall heights (cm)
Turf/ top layer of soil (A,B,C)	-	-	≤100
bark (A,C)	Particle size from 20 to 80	30	≤200
		40	≤300
woodchips (A,C)	Particle size from 5 to 30	30	≤200
		40	≤300
sand or gravel (A,C)	Particle size from 0,25 to 8	30	≤200
		40	≤300
synthetic attested (A,B,C)	Tested according to EN 1177		130

Amount of safe surface corresponding with free fall height:

HIC 130 21,5 m²

Data is subject to change without prior notice.

