



**Product technical sheet**

**ROBINIA RB1236**



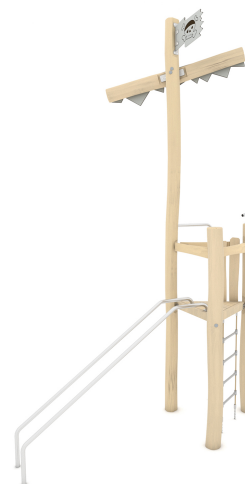
3+



5 kids



21,8 m<sup>2</sup>



**Material specification**

- Construction made of Robinia - very durable acacia wood with a diameter of ~ 18 cm without sharp edges, resistant to weather conditions,
- Platforms made of Robinia - very durable acacia wood, resistant to weather conditions,
- Side panels made of Robinia - very durable acacia wood without sharp edges, resistant to weather conditions
- Fireman's pole and tubular sled made of stainless steel,
- Telescope made of stainless steel and durable HDPE plate, resistant to weather conditions,
- Flags / sails made of durable HPL plate, resistant to weather conditions,
- Ladders made of steel ropes in polypropylene braid and rungs made of synthetic material,
- Calibrated stainless steel chains, preventing fingers entrapment,
- Screws covered with plastic caps and/or stainless steel screws,



**Intellectual development**



manipulation



sight



**Physical development**



sliding



climbing





**1**  
number of  
towers



**1**  
number of  
interactive  
elements



**3**  
number of  
activity elements

**Product technical sheet**

**ROBINIA RB1236**

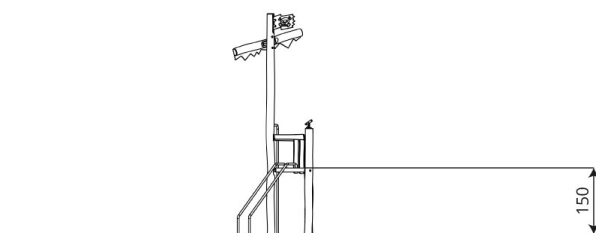
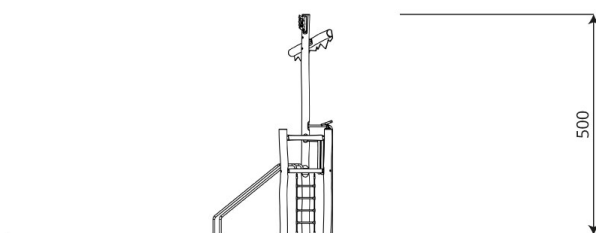
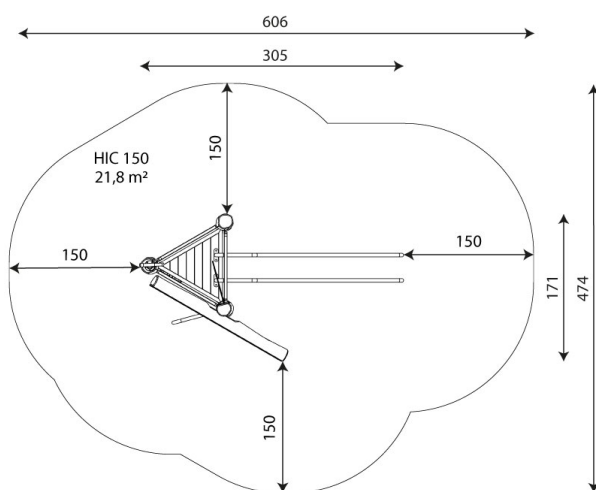
**Product data**

|                                |                     |
|--------------------------------|---------------------|
| Length                         | 305 cm              |
| Width                          | 171 cm              |
| Total height                   | 500 cm              |
| Age group                      | 3+ years            |
| Number of users                | 5 kids              |
| Safety zone                    | 21,8 m <sup>2</sup> |
| Free fall height               | 150 cm              |
| The height of the platforms    | 150 cm              |
| In accordance with norm EN     | 1176-1:2017         |
| Weight of the heaviest part    | 115 kg              |
| Dimensions of the largest part | 500x18x18 cm        |
| Availability of spare parts    | YES                 |
| Installation time              | 3 h                 |

Data is subject to change without prior notice.

**Additional information**

- equipment intended for public playgrounds;
- equipment has a certificate issued by an accredited entity or a declaration of conformity;
- no sharp edges or chinks that would pose a danger of jimmieing the head, fingers or any other body parts;
- anchoring on flat surface, 100 cm deep;
- render is for reference only, the actual appearance of the equipment and its color may vary;



**Guarantee**

**30**

30 year guarantee - Structural strength of steel and stainless steel components

**15**

15 year guarantee - Structural failure of steel and stainless steel, for dynamic equipment

**10**

10 year guarantee - Structural failure of high density polyethylene and high pressure laminates components

**5**

5 year guarantee - Corrosion of stainless steel and hot dip galvanized and powder coated components; against bark beetles and rot in case of wooden structural elements

Detailed information in the guarantee card



## Surfaces according to EN 1176-1:2017

|                                 | Description (mm)             | Layer thickness (cm) | Maximum fall heights (cm) |
|---------------------------------|------------------------------|----------------------|---------------------------|
| Turf/ top layer of soil (A,B,C) | -                            | -                    | ≤100                      |
| bark (A,C)                      | Particle size from 20 to 80  | 30                   | ≤200                      |
|                                 |                              | 40                   | ≤300                      |
| woodchips (A,C)                 | Particle size from 5 to 30   | 30                   | ≤200                      |
|                                 |                              | 40                   | ≤300                      |
| sand or gravel (A,C)            | Particle size from 0,25 to 8 | 30                   | ≤200                      |
|                                 |                              | 40                   | ≤300                      |
| synthetic attested (A,B,C)      | Tested according to EN 1177  |                      | 150                       |

## Product technical sheet

# ROBINIA RB1236

### Amount of safe surface corresponding with free fall height:

HIC 150 21,8 m<sup>2</sup>

Data is subject to change without prior notice.

